



US00D954832S

(12) **United States Design Patent**
Pi et al.

(10) **Patent No.:** **US D954,832 S**

(45) **Date of Patent:** **** Jun. 14, 2022**

(54) **GAMING CONTROLLER**
(71) Applicant: **Google LLC**, Mountain View, CA (US)
(72) Inventors: **Jason Pi**, Fremont, CA (US); **Maj Isabelle Olsson**, Sunnyvale, CA (US); **Jung Tak**, Millbrae, CA (US); **Evan Silverman**, Dublin, CA (US); **Thomas Enders**, Mountain View, CA (US); **Livius Chebeleu**, San Jose, CA (US); **Kirk Rodgers**, San Jose, CA (US)

D547,763 S * 7/2007 Hayes D14/401
D581,422 S * 11/2008 Hayes D14/401
D712,972 S * 9/2014 Sumii D21/333
D750,082 S * 2/2016 Mar D14/401
D768,786 S * 10/2016 Seflic D21/333
D794,717 S * 8/2017 Kujawski D21/333
D805,518 S * 12/2017 Goldman D14/401
D806,078 S * 12/2017 Goldman D14/401
D819,641 S * 6/2018 Tsuchiya D14/401
D863,447 S * 10/2019 Tsuchiya D21/333
D864,302 S * 10/2019 Strahle D21/333
D871,505 S * 12/2019 Wang D21/333

(Continued)

(73) Assignee: **GOOGLE LLC**, Mountain View, CA (US)

(**) Term: **15 Years**

(21) Appl. No.: **29/683,100**

(22) Filed: **Mar. 11, 2019**

(51) **LOC (13) Cl.** **21-01**

(52) **U.S. Cl.**
USPC **D21/332**

(58) **Field of Classification Search**
USPC D21/324–329, 333; D14/174, 177, 190, D14/137, 138, 168, 217, 218, 356, 387, D14/388, 389, 399–401, 412–416, 443, D14/449, 450, 454, 471, 474, 483, 496, D14/511; D13/164–168; D18/19; D12/174, 177, 190, 218
CPC A63F 13/24; A63F 13/02; A63F 13/06; A63F 13/98; A63F 9/00; A63F 9/24; A63F 11/00; H04N 21/00; H04N 7/14; G06F 1/1666; G06F 17/00; G06F 19/00; C09J 7/38

See application file for complete search history.

(56) **References Cited**

U.S. PATENT DOCUMENTS

D424,047 S * 5/2000 Chan D14/401
D522,011 S * 5/2006 Hayes D14/401

OTHER PUBLICATIONS

“Google PlayStation and Xbox”, posted Oct. 17, 2019 [Online], [retrieved Jul. 6, 2020]. Retrieved from Internet, <https://www.businessinsider.com/google-stadia-game-console-release-date-price-games-2019-6>.*

(Continued)

Primary Examiner — Mehri F Bajoul

(74) *Attorney, Agent, or Firm* — Leason Ellis LLP

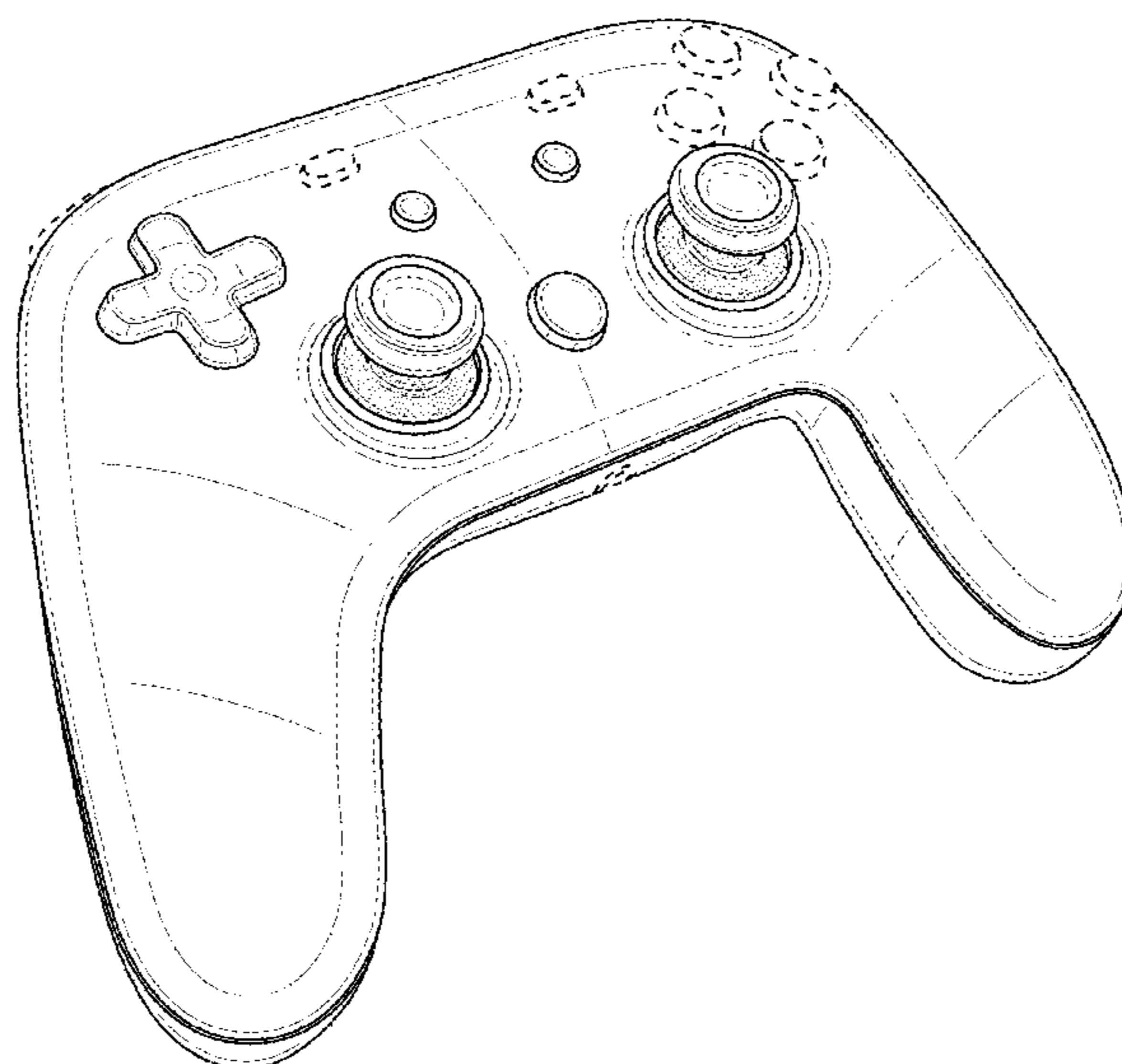
(57) **CLAIM**

The ornamental design for a gaming controller, as shown and described.

DESCRIPTION

FIG. 1 is a top, right perspective view of a gaming controller showing the new design;
FIG. 2 is a bottom, right perspective view thereof;
FIG. 3 is a top, plan view thereof;
FIG. 4 is a bottom, plan view thereof;
FIG. 5 is a right side view thereof;
FIG. 6 is a left side view thereof;
FIG. 7 is a front elevation view thereof; and,
FIG. 8 is a rear elevation view thereof.
The broken lines of even length illustrate the portions of the gaming controller that form no part of the claimed design.

1 Claim, 8 Drawing Sheets



(56)

References Cited

U.S. PATENT DOCUMENTS

D881,281 S * 4/2020 Tong D21/333
D882,690 S * 4/2020 Tsuchiya D21/333
D882,691 S * 4/2020 Tsuchiya D21/333
D882,692 S * 4/2020 Tsuchiya D21/333

OTHER PUBLICATIONS

“Google Controllers”, posted Nov. 13, 2019[Online], [retrieved Jul. 6, 2020], Retrieved from Internet, <https://9to5google.com/2019/11/13/stadia-third-party-controllers/>.*

Platform Gateway, tearhunter@naver.com, Mar. 4, 2019.

The Korean Intellectual Property Office Notice of Office Action in Application No. 30-2019-0042345.

The Japanese Patent Office Official Notice of Grant in Application No. 2019-019849.

Japanese Design Registration No. 1602808 (2018).

“Gamer’s Choice! 2018 Product catalogue”, p. 31, EG-C3071.

International Designs Bulletin (2017), DM/097147.

European Union Design Publication (May 24, 2017), 004014140-0001.

Website of KYE Systems Corp. Copyright 2011.

* cited by examiner

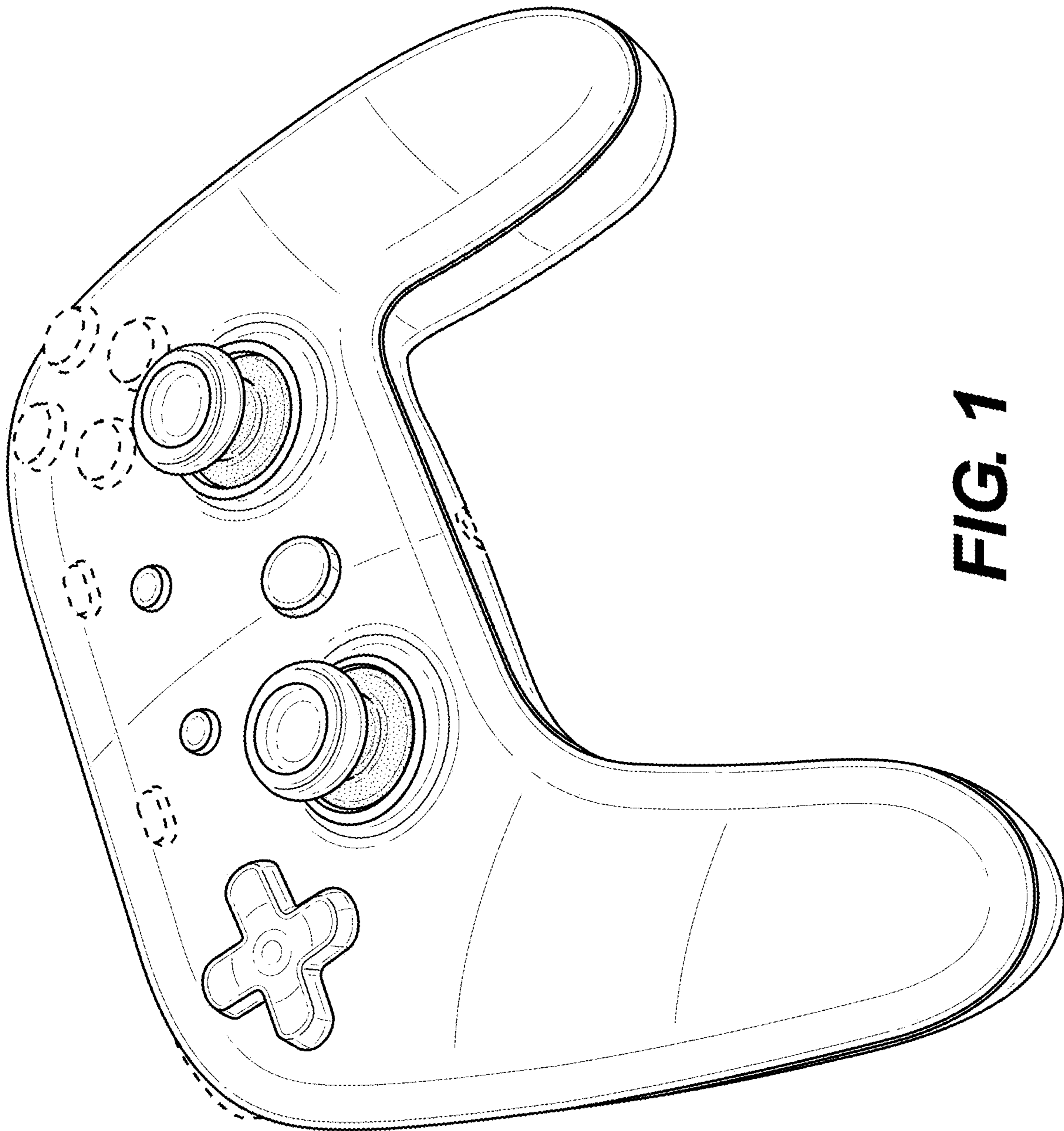


FIG. 1

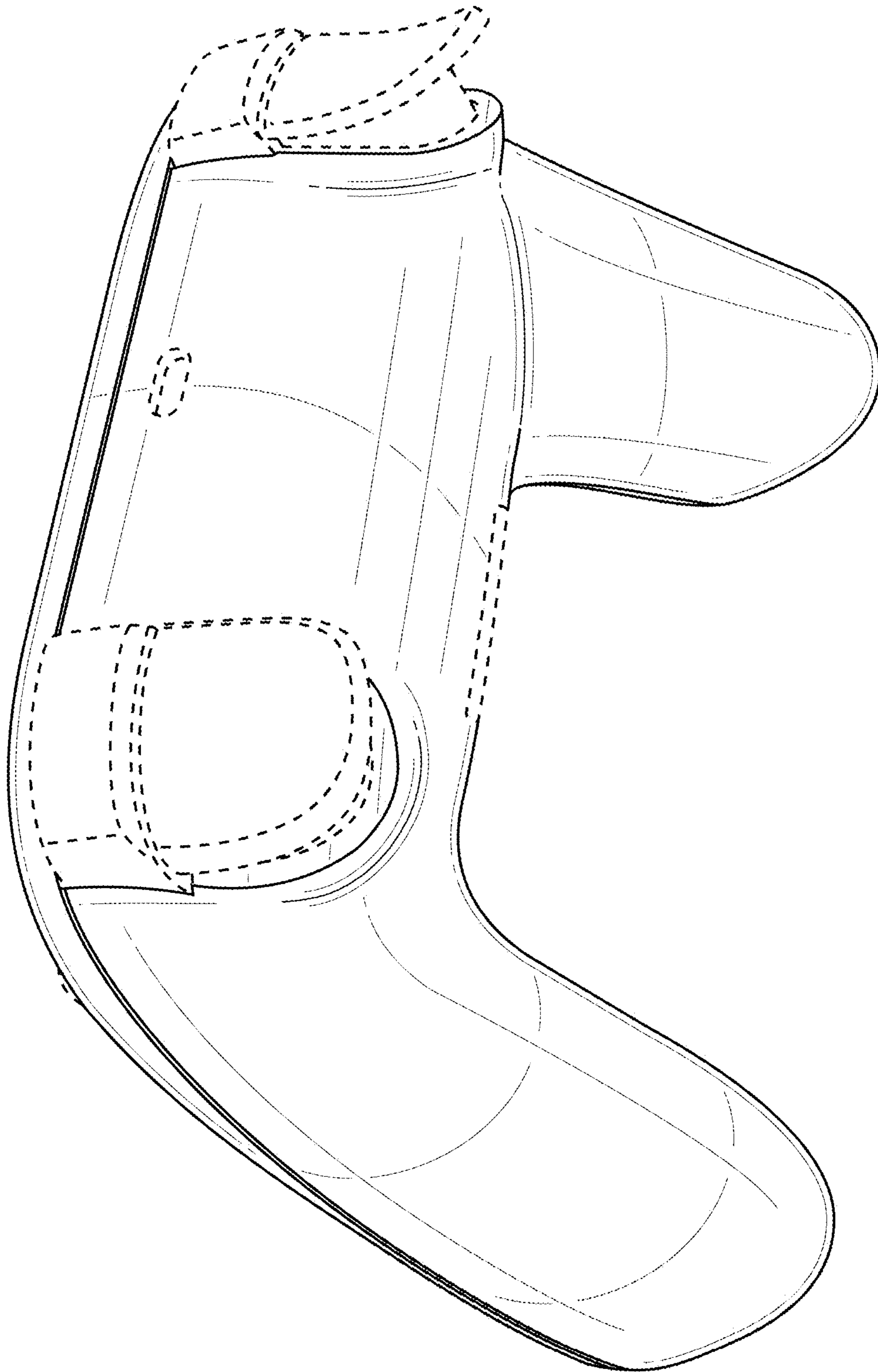


FIG. 2

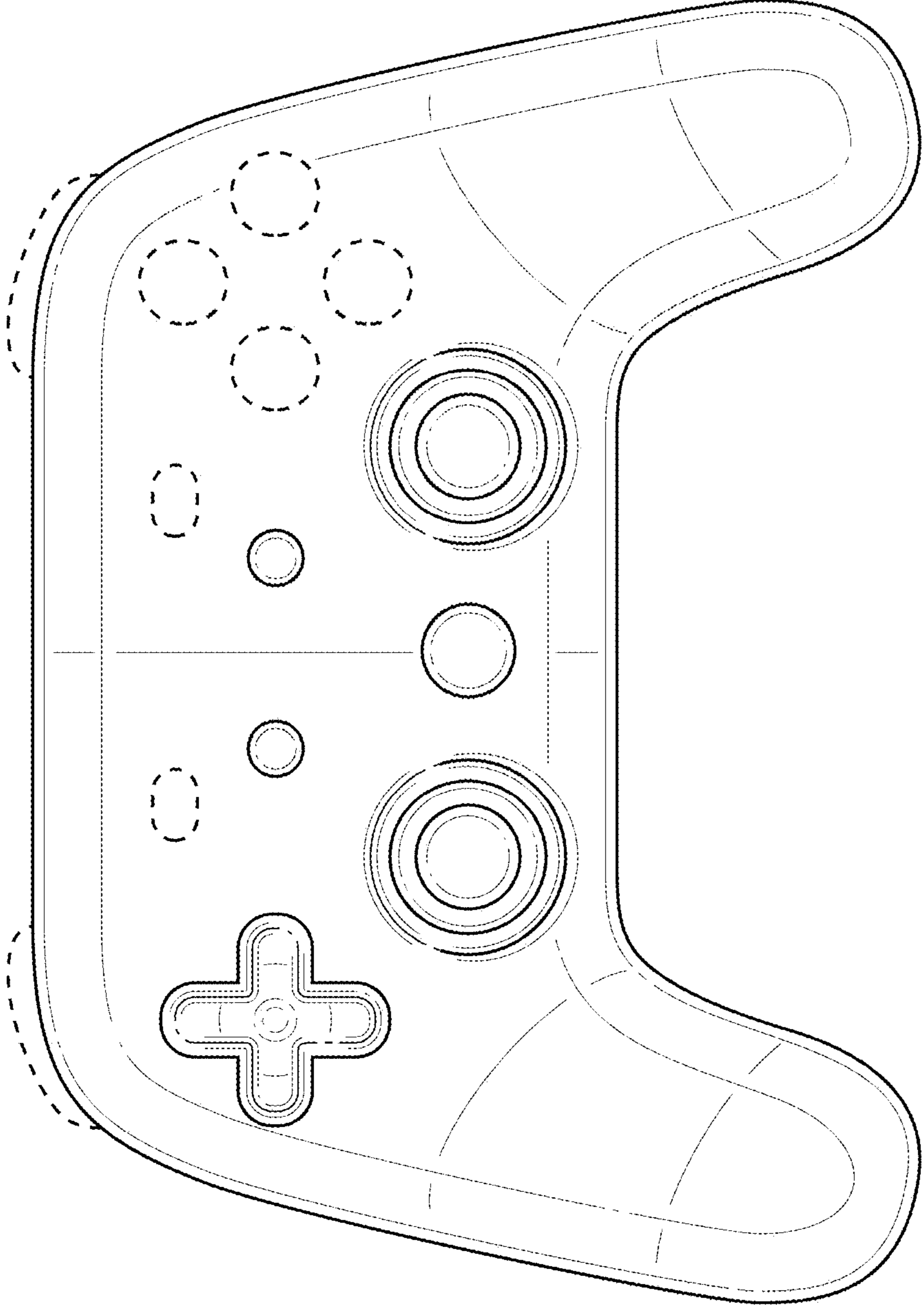


FIG. 3

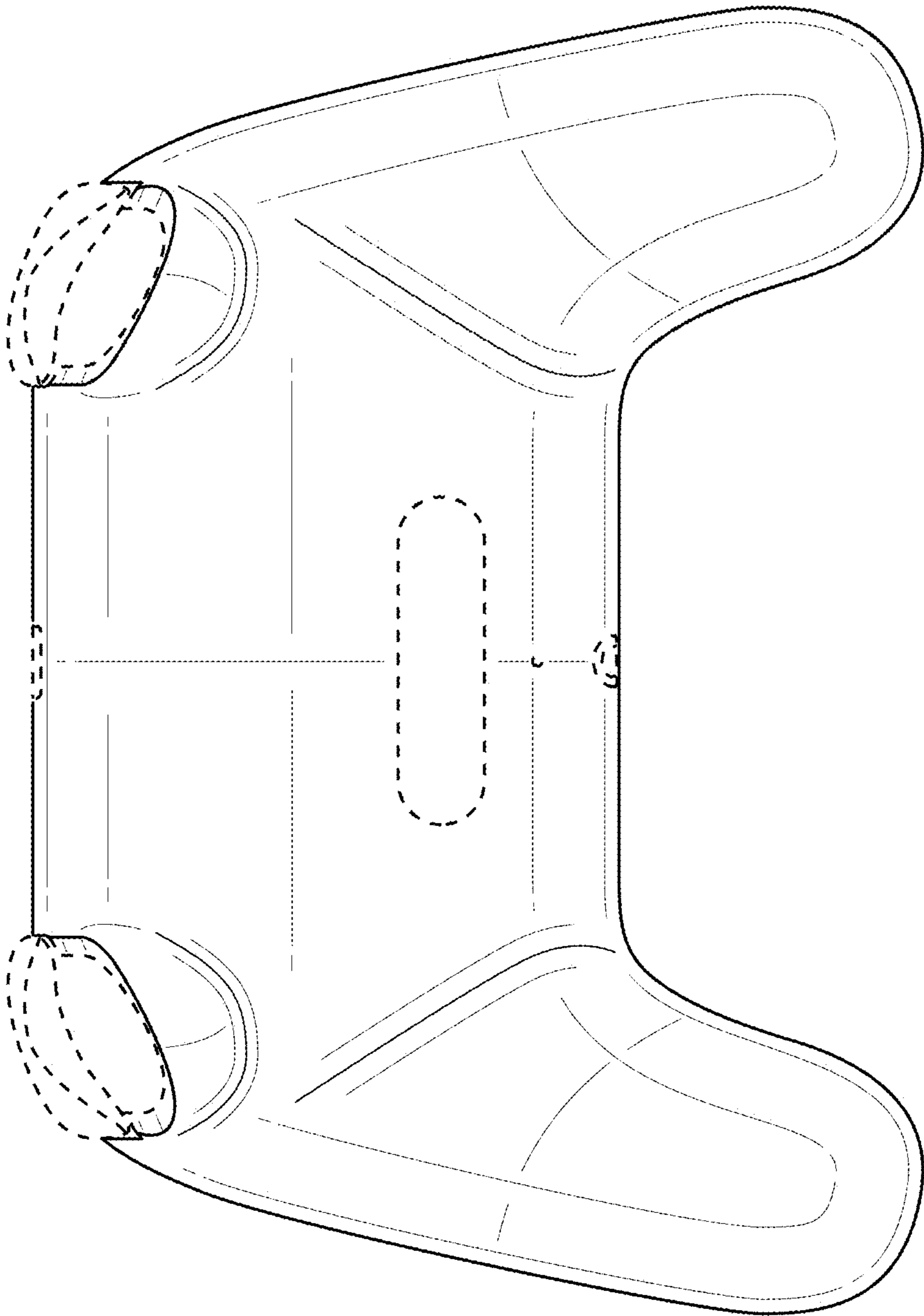


FIG. 4

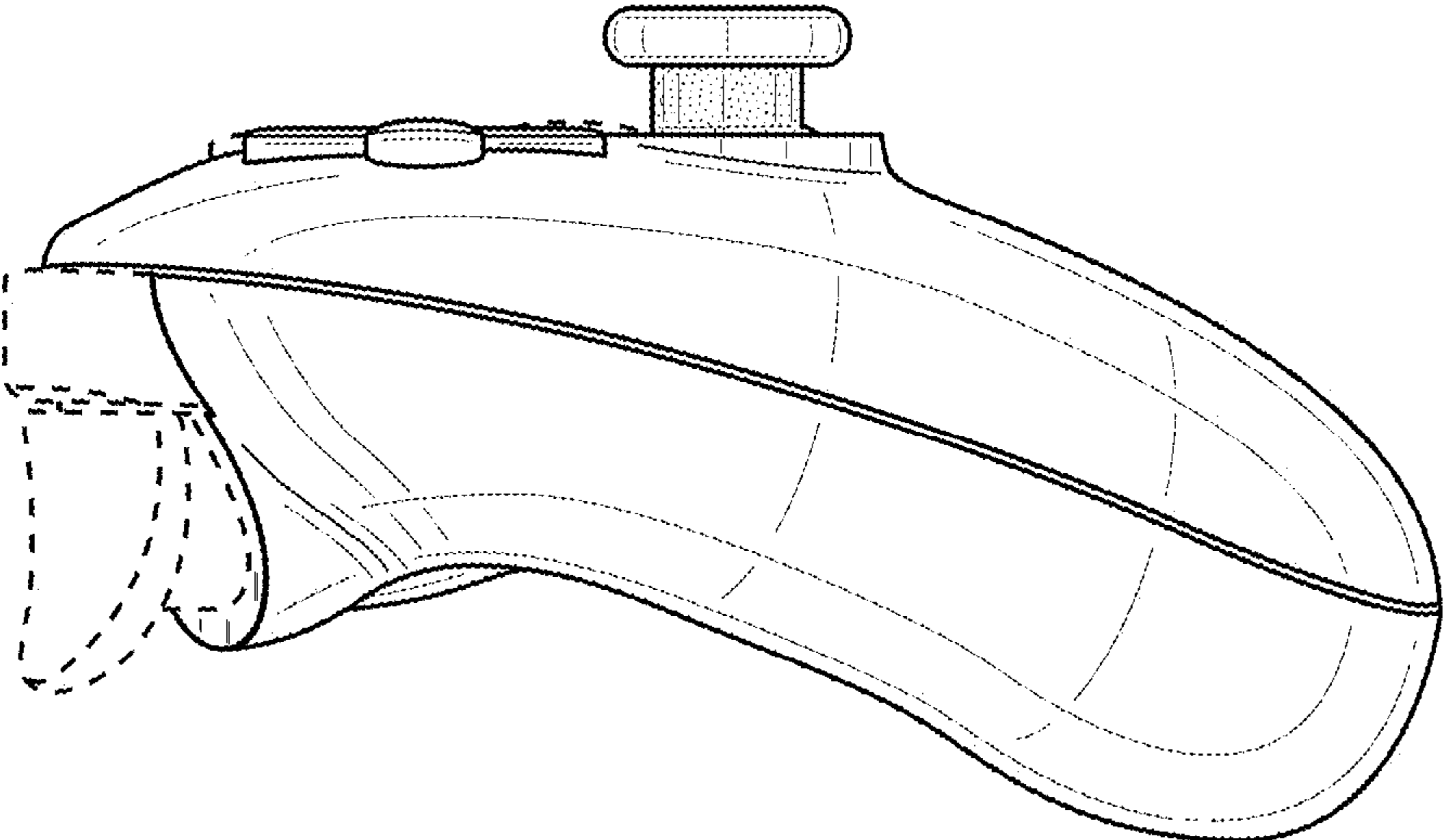


FIG. 5

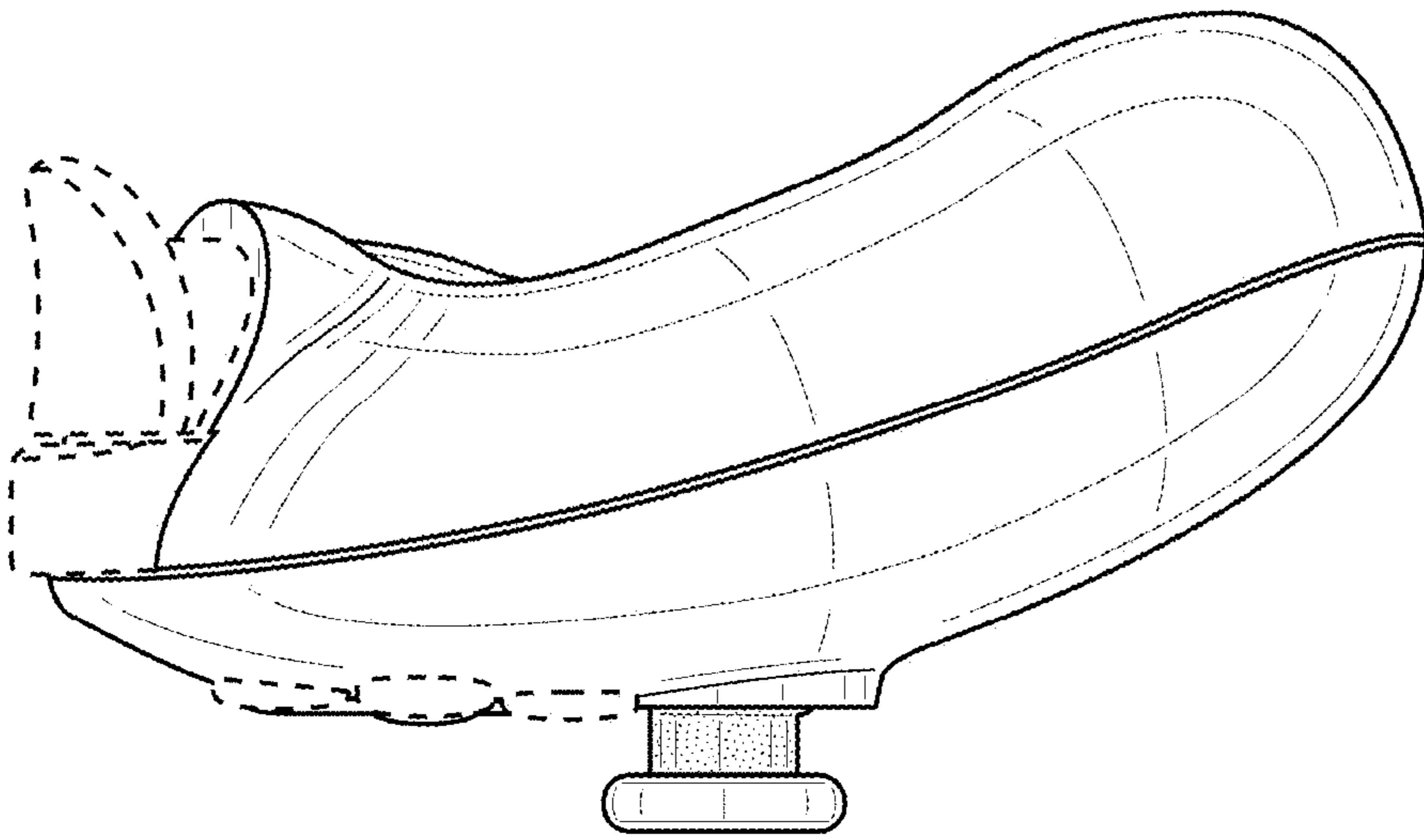


FIG. 6

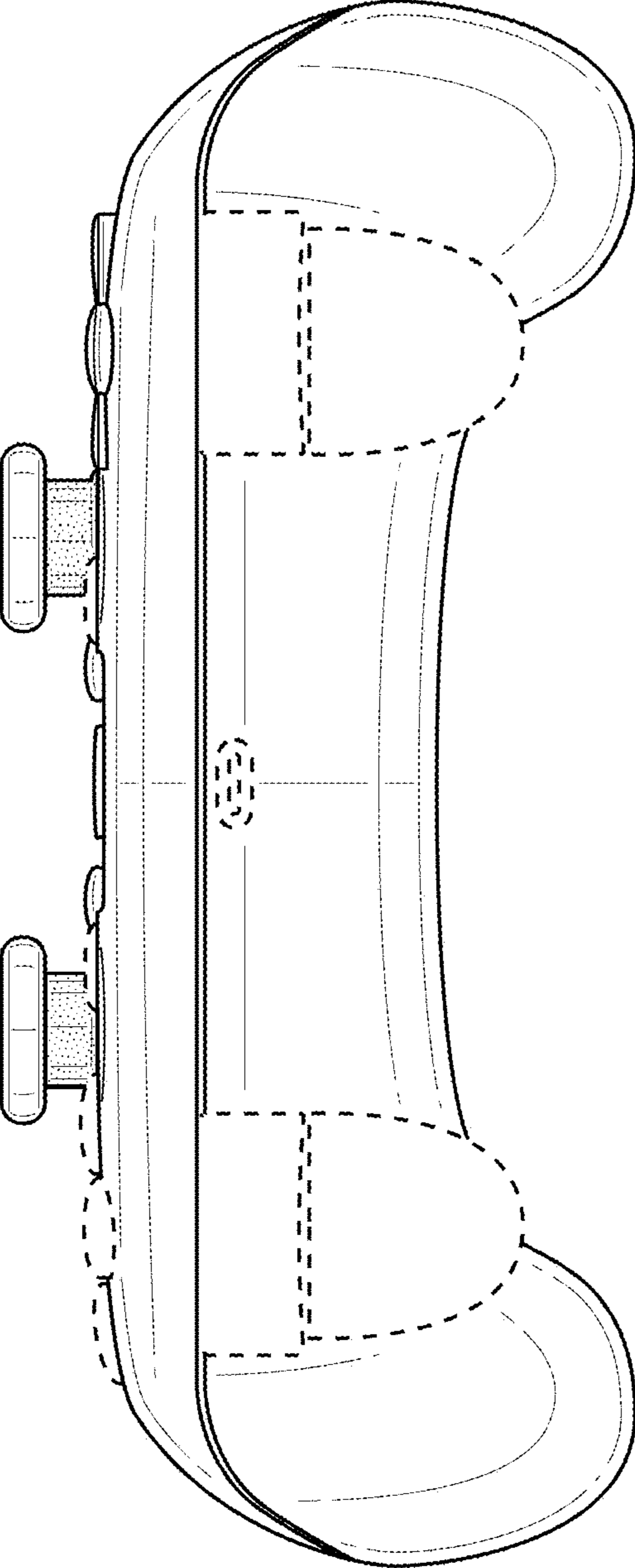


FIG. 7

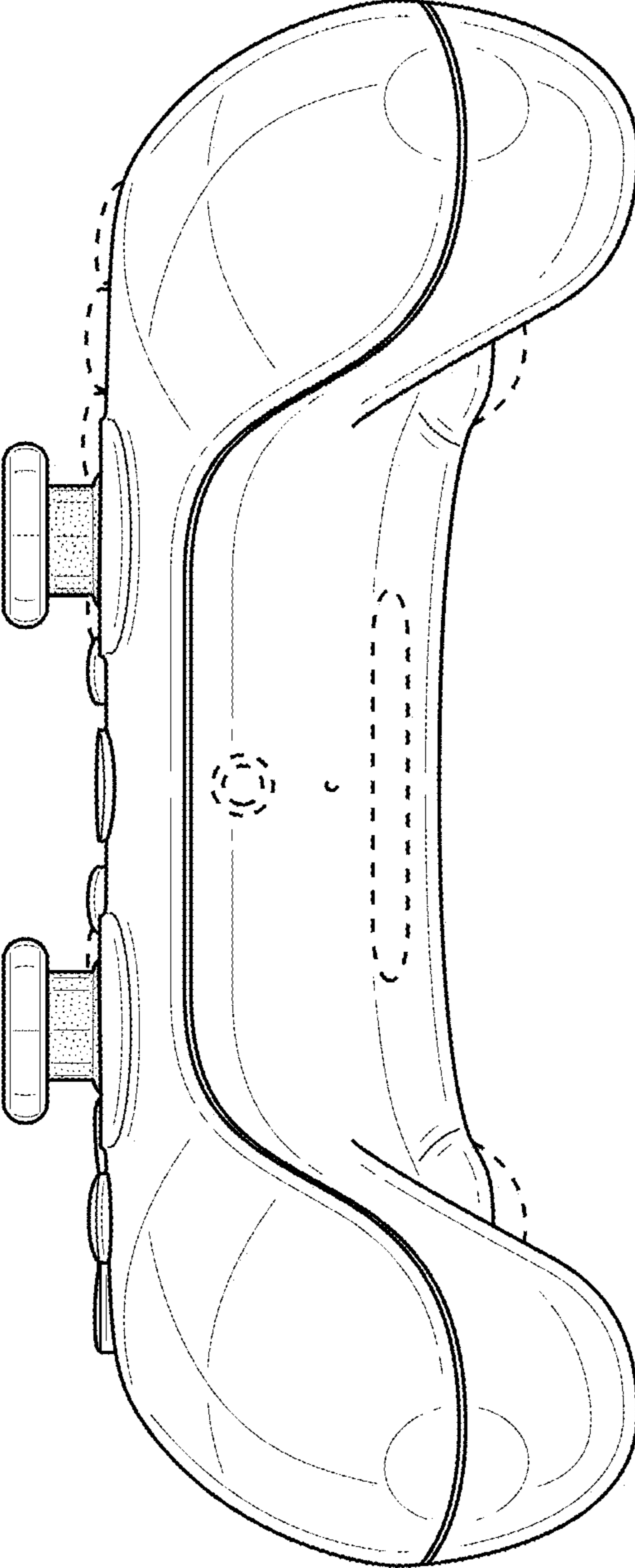


FIG. 8