



US00D954831S

(12) **United States Design Patent** (10) **Patent No.:** **US D954,831 S**
Rothman et al. (45) **Date of Patent:** **** Jun. 14, 2022**

(54) **SLOT BUTTON COVER**
(71) Applicant: **Caesars Enterprise Services, LLC**,
Las Vegas, NV (US)
(72) Inventors: **Hagai Rothman**, Las Vegas, NV (US);
Liam M Perry, Las Vegas, NV (US)
(73) Assignee: **Caesars Enterprise Services, LLC**,
Las Vegas, NV (US)
(**) Term: **15 Years**
(21) Appl. No.: **29/682,296**
(22) Filed: **Mar. 4, 2019**
(51) **LOC (13) Cl.** **21-01**
(52) **U.S. Cl.**
USPC **D21/332; D21/333**
(58) **Field of Classification Search**
USPC D8/321, 322; D11/222; D29/129;
D26/113, 119; D24/113, 144, 184;
D15/5, 17, 28, 144.1, 144.2; D13/113,
D13/118, 154, 160, 161, 171, 173, 174,
D13/155, 177, 184; D12/317, 345, 415,
D12/171, 172, 174, 177, 223; D10/103,
D10/106.95; D23/364, 322; D21/332,
D21/333, 370, 349, 253, 358, 375, 381,
D21/382, 432, 447, 484.1; D14/257, 299,
D14/440
CPC A44B 5/007; A44B 1/14; H01H 9/28
See application file for complete search history.

D556,836 S * 12/2007 Ashida D21/324
D576,686 S * 9/2008 Ashida D21/324
D585,945 S * 2/2009 Yamashita D14/419
D592,544 S * 5/2009 Edocs D11/222
D592,997 S * 5/2009 Tardieu D11/222
D627,400 S * 11/2010 Suetake D21/332
D642,578 S * 8/2011 Aoki D14/436

(Continued)

FOREIGN PATENT DOCUMENTS

GB 2489414 A 10/2012
Primary Examiner — Mehri F Bajoul
(74) *Attorney, Agent, or Firm* — Greenberg Traurig, LLP

(57) **CLAIM**

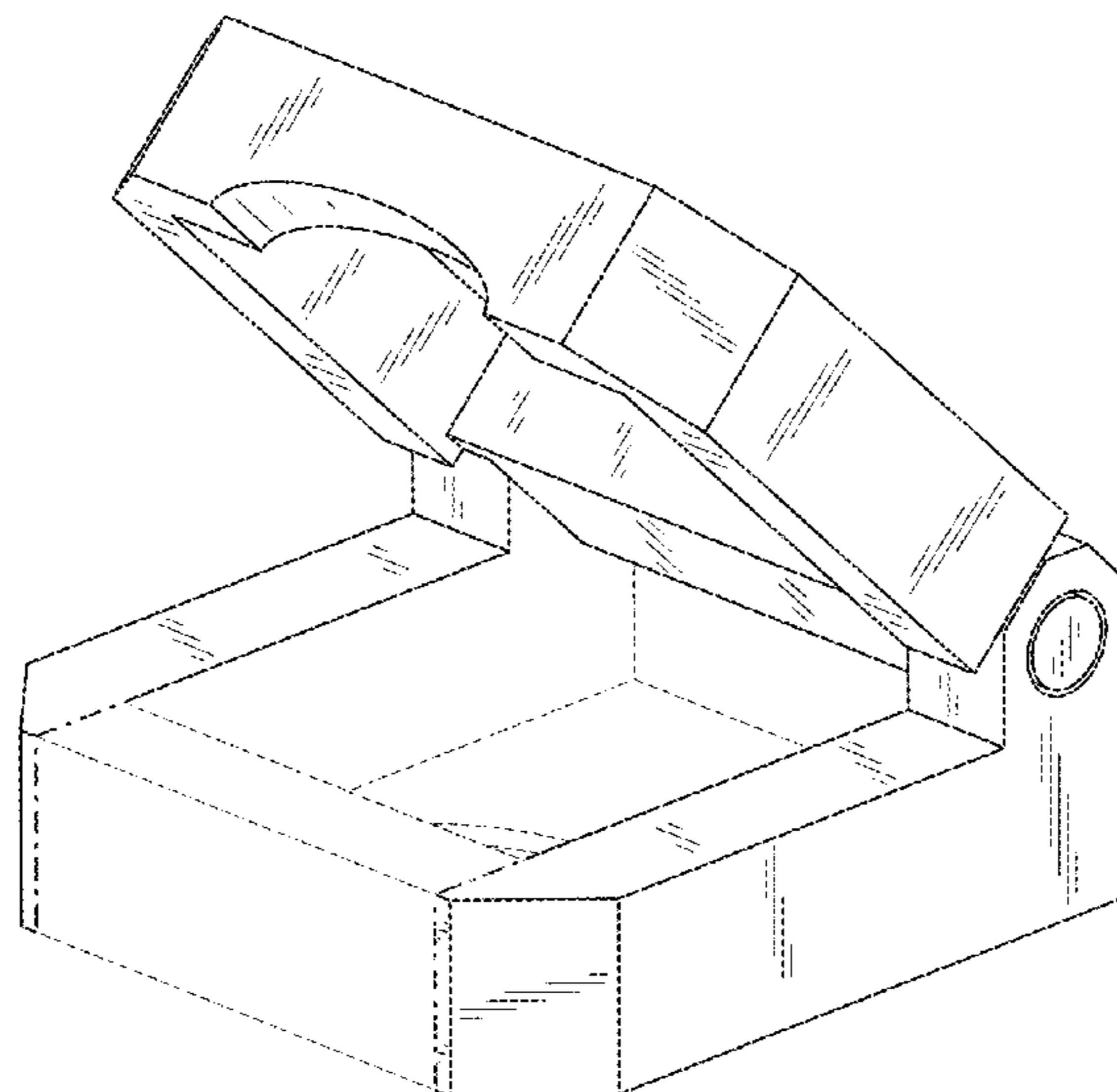
We claim the ornamental design for a slot button cover, as shown and described.

DESCRIPTION

FIG. 1 is a perspective view of a slot button cover showing my new design;
FIG. 2 is a front view of the slot button cover shown in FIG. 1;
FIG. 3 is a rear view of the slot button cover shown in FIG. 1;
FIG. 4 is a right side view of the slot button cover shown in FIG. 1;
FIG. 5 is left side view of the slot button cover shown in FIG. 1;
FIG. 6 is a top plan view of the slot button cover shown in FIG. 1;
FIG. 7 is a bottom plan view of the slot button cover shown in FIG. 1; and,
FIG. 8 is a perspective view of the slot button cover shown in FIG. 1, showing the slot button cover open.
The broken lines in the figures depict portions of the slot button cover that form no part of the claimed design. The dashed-dot broken lines in the drawings depict bounds of the claim and do not form part of the claim.

1 Claim, 4 Drawing Sheets

(56) **References Cited**
U.S. PATENT DOCUMENTS
D393,454 S * 4/1998 Cruden D14/475
D428,602 S 7/2000 Taylor
D432,503 S 10/2000 Taylor
D459,973 S * 7/2002 Weinerman D8/306
D517,672 S * 3/2006 Schmitt D15/5
D543,206 S * 5/2007 Maruyama D14/435
D556,835 S * 12/2007 Ashida D21/324



(56)

References Cited

U.S. PATENT DOCUMENTS

D658,185 S * 4/2012 Aoki D14/436
D694,719 S * 12/2013 Swift D13/168
D705,871 S * 5/2014 Jacobs D21/332
D708,153 S 7/2014 Todd
9,198,480 B1 * 12/2015 Junge A44B 1/14
D761,158 S * 7/2016 Riviere D11/222
D767,514 S 9/2016 Summers et al.
D805,132 S * 12/2017 Sparks D21/332
D810,703 S 2/2018 Ito
D811,483 S * 2/2018 Sumii D21/332
D821,501 S * 6/2018 Sumii D21/332
D826,337 S * 8/2018 Christie D21/332
D827,032 S * 8/2018 Christie D21/332
D839,353 S * 1/2019 Christie D21/332
D839,355 S * 1/2019 Christie D21/332
D840,951 S * 2/2019 Gattis D13/160
D845,355 S * 4/2019 Demiter D15/28
D846,744 S * 4/2019 Simson D24/184
D848,867 S * 5/2019 Matsumiya D10/49
D890,075 S * 7/2020 Long D12/345
D890,900 S * 7/2020 Bink D23/364
D924,334 S * 7/2021 Chatterjee D21/332
D926,749 S * 8/2021 Upton D14/300
2006/0033597 A1 * 2/2006 Wells G08B 25/12
333/204
2009/0140993 A1 * 6/2009 Han B60W 50/16
345/173
2020/0035089 A1 * 1/2020 Liu H01H 21/08

* cited by examiner

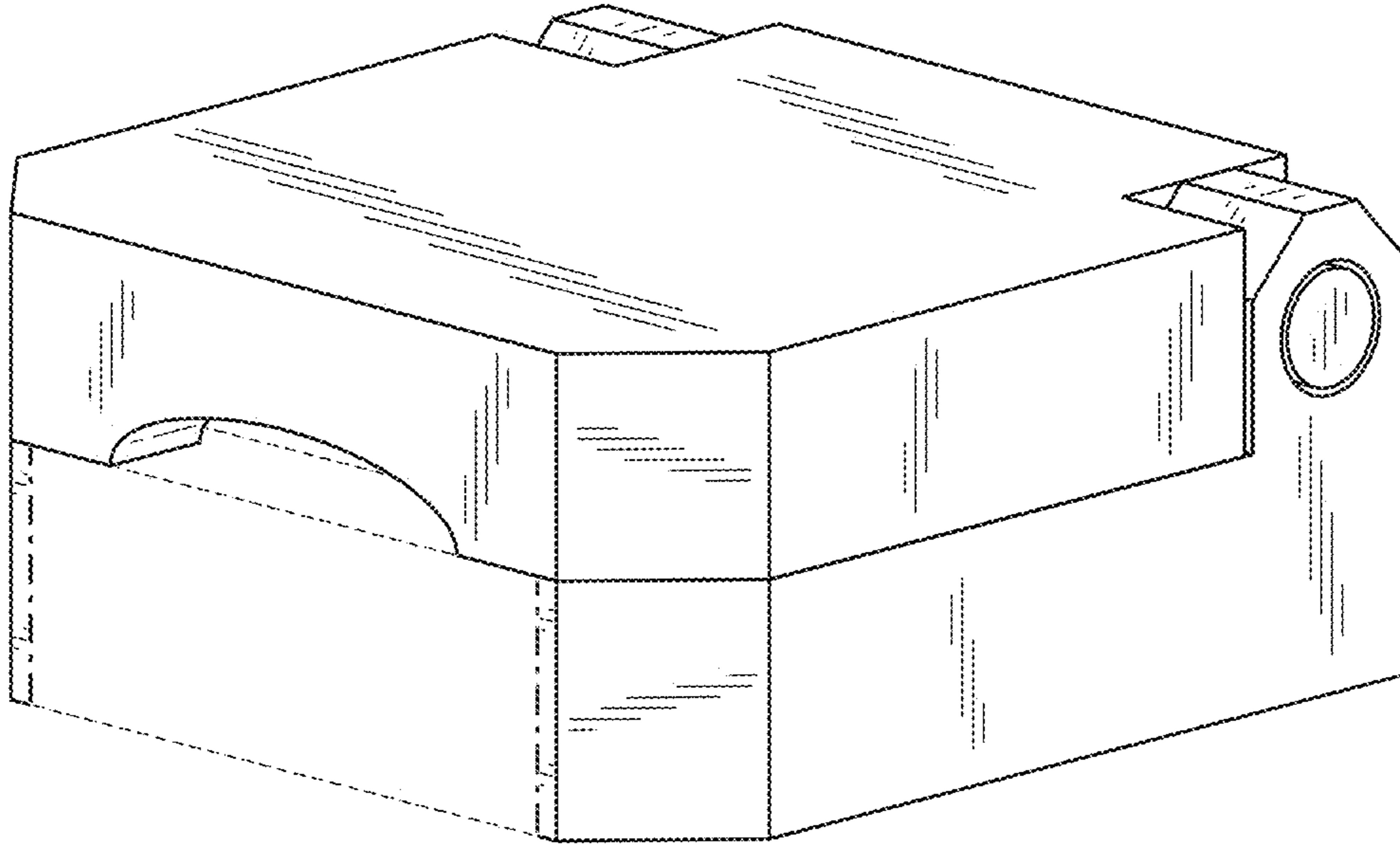


FIG. 1

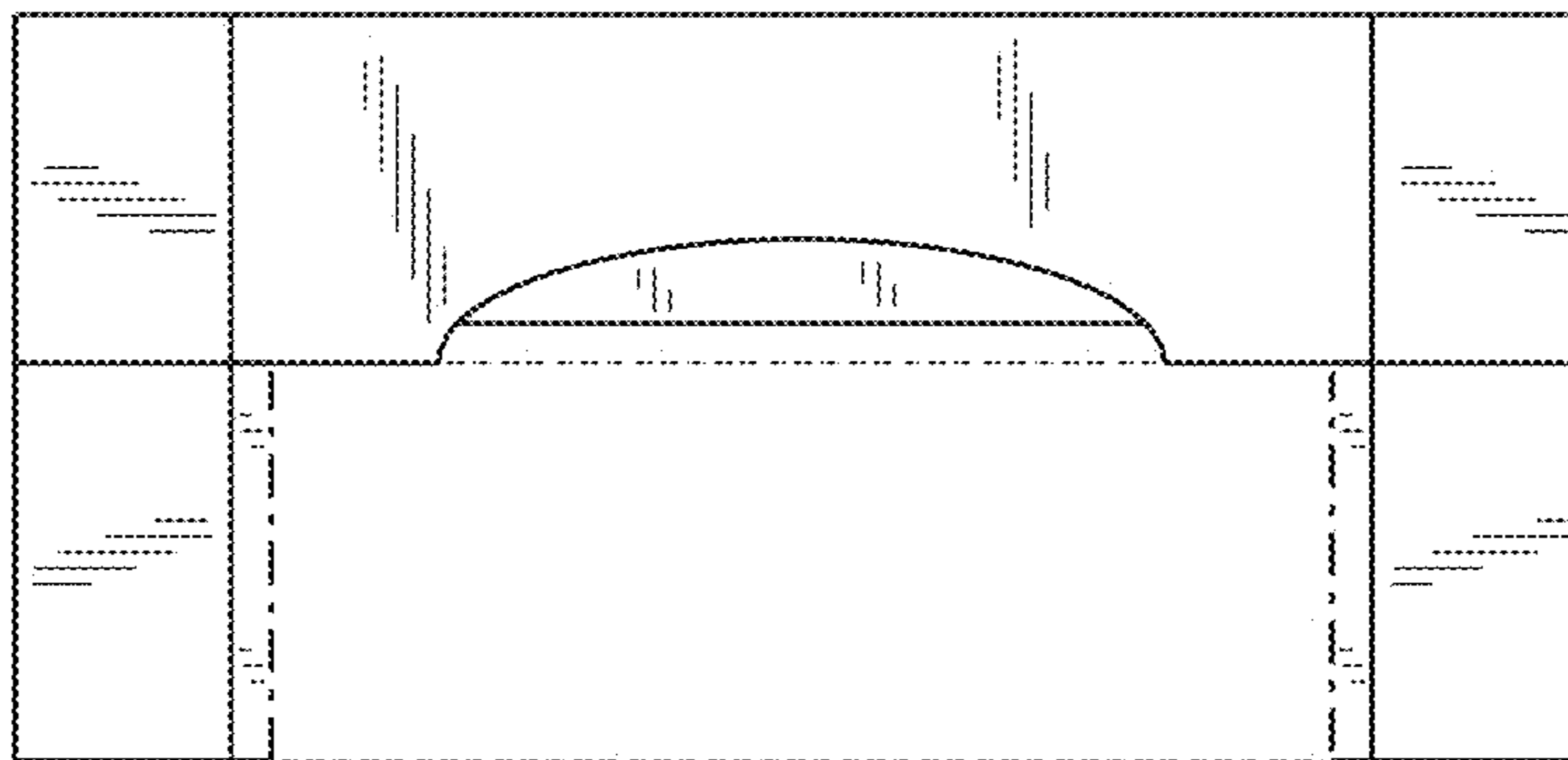


FIG. 2

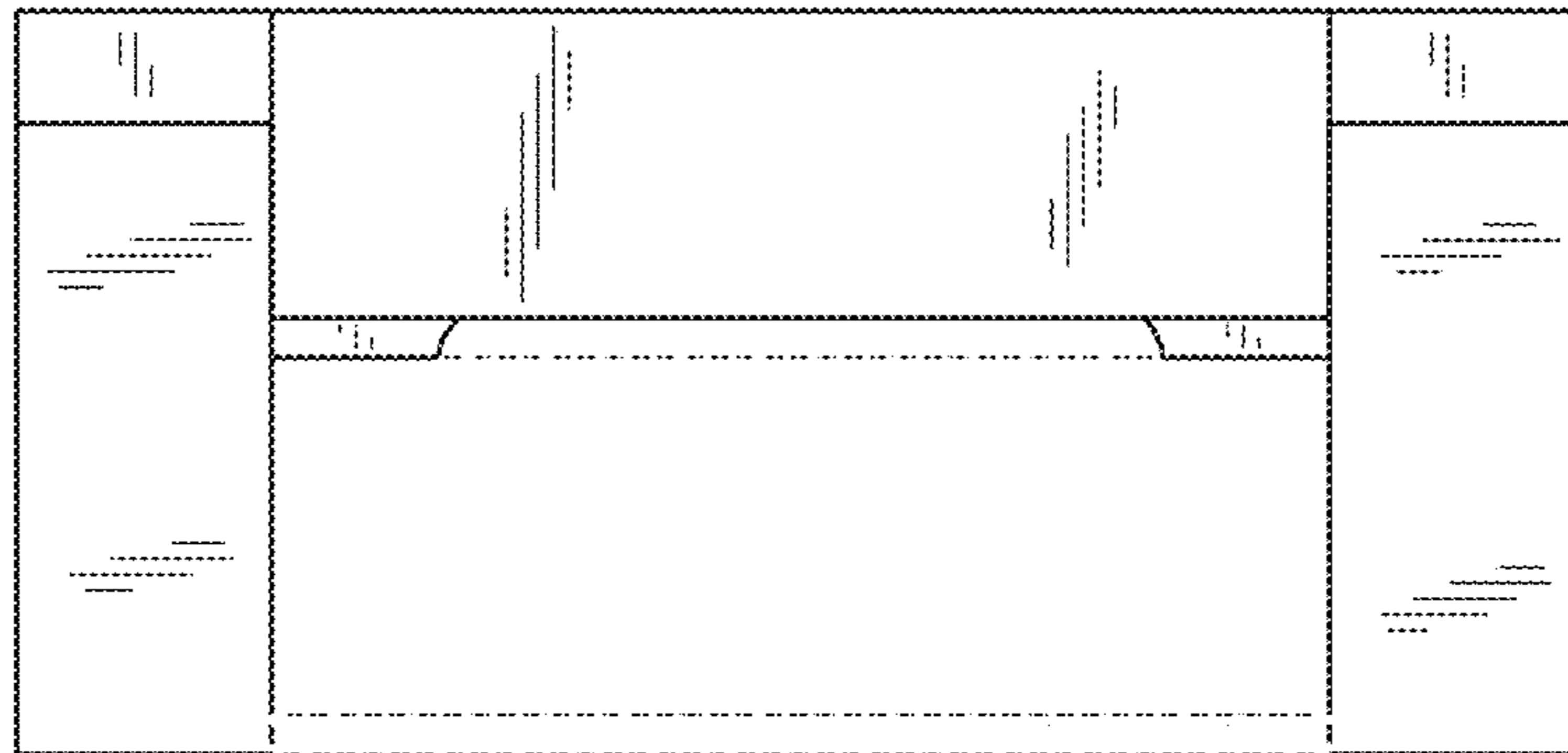


FIG. 3

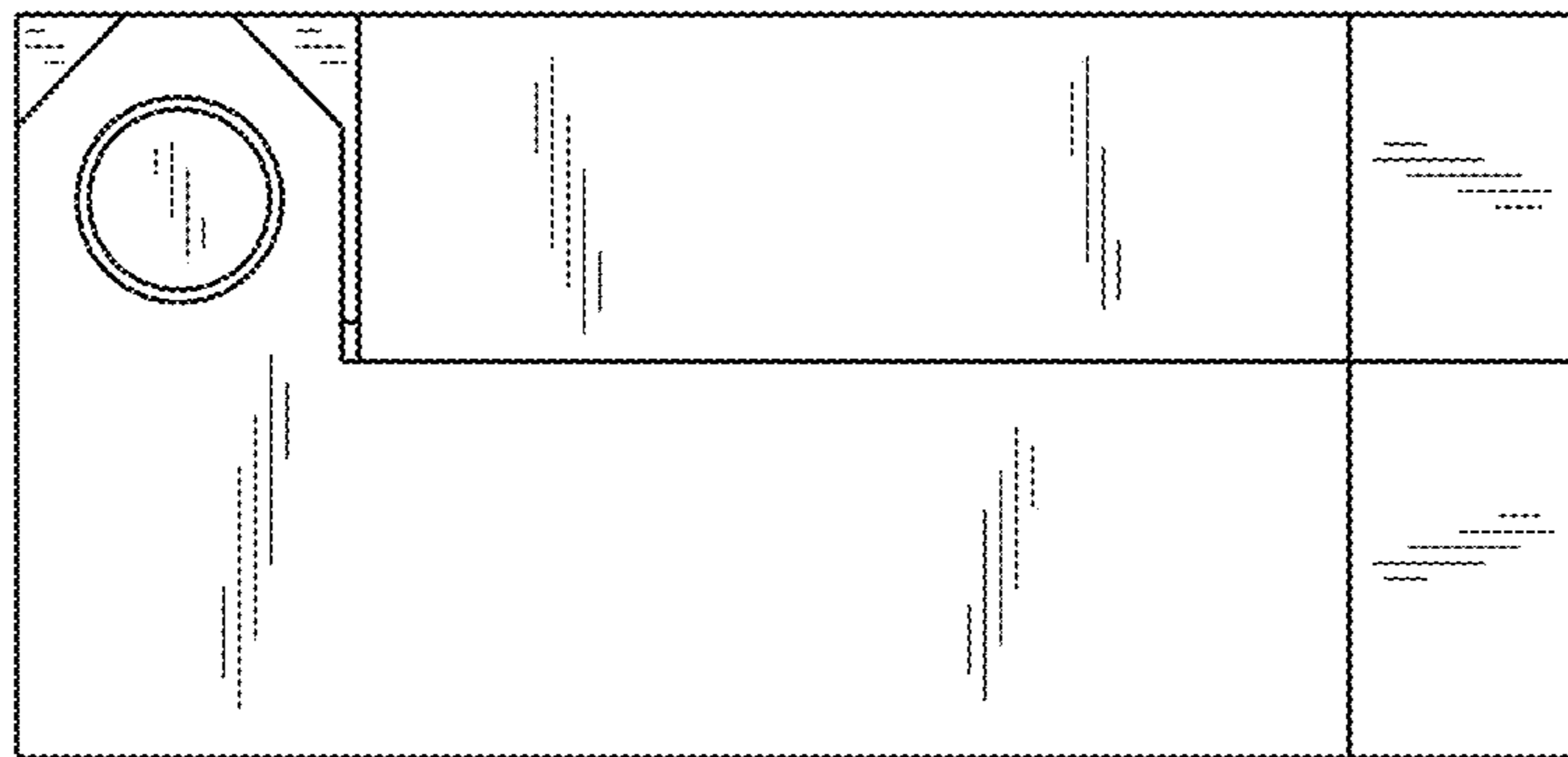


FIG. 4

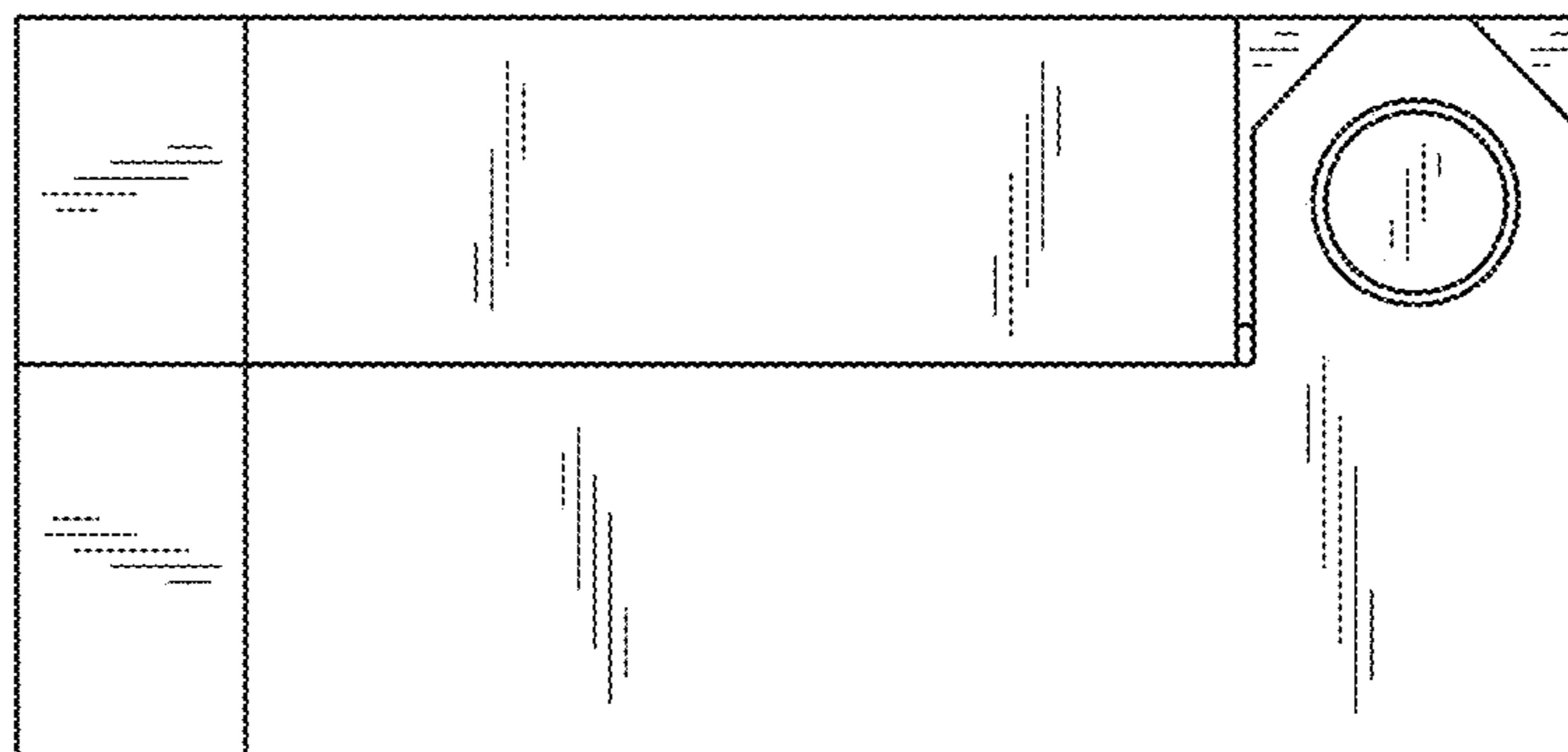


FIG. 5

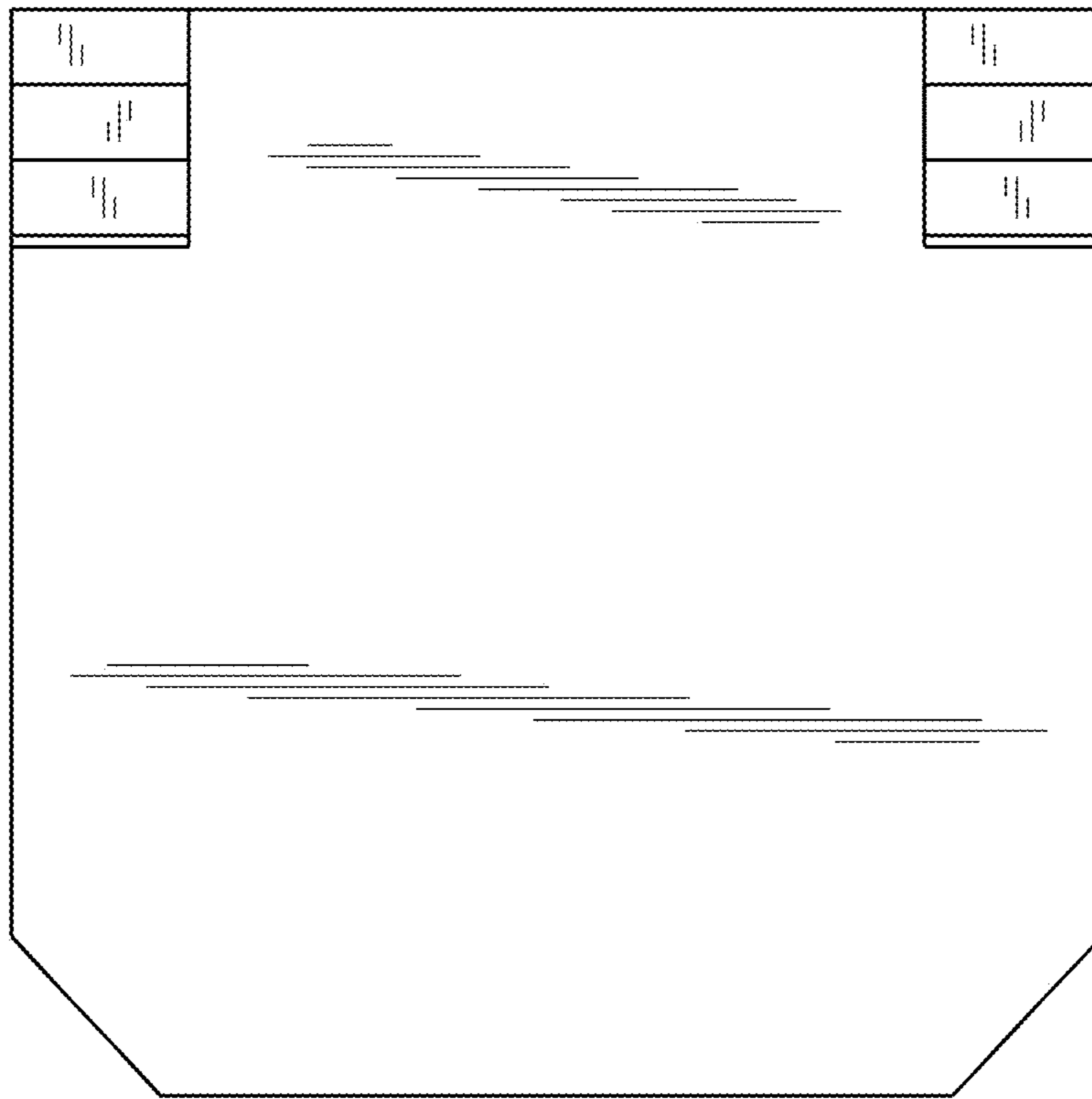


FIG. 6

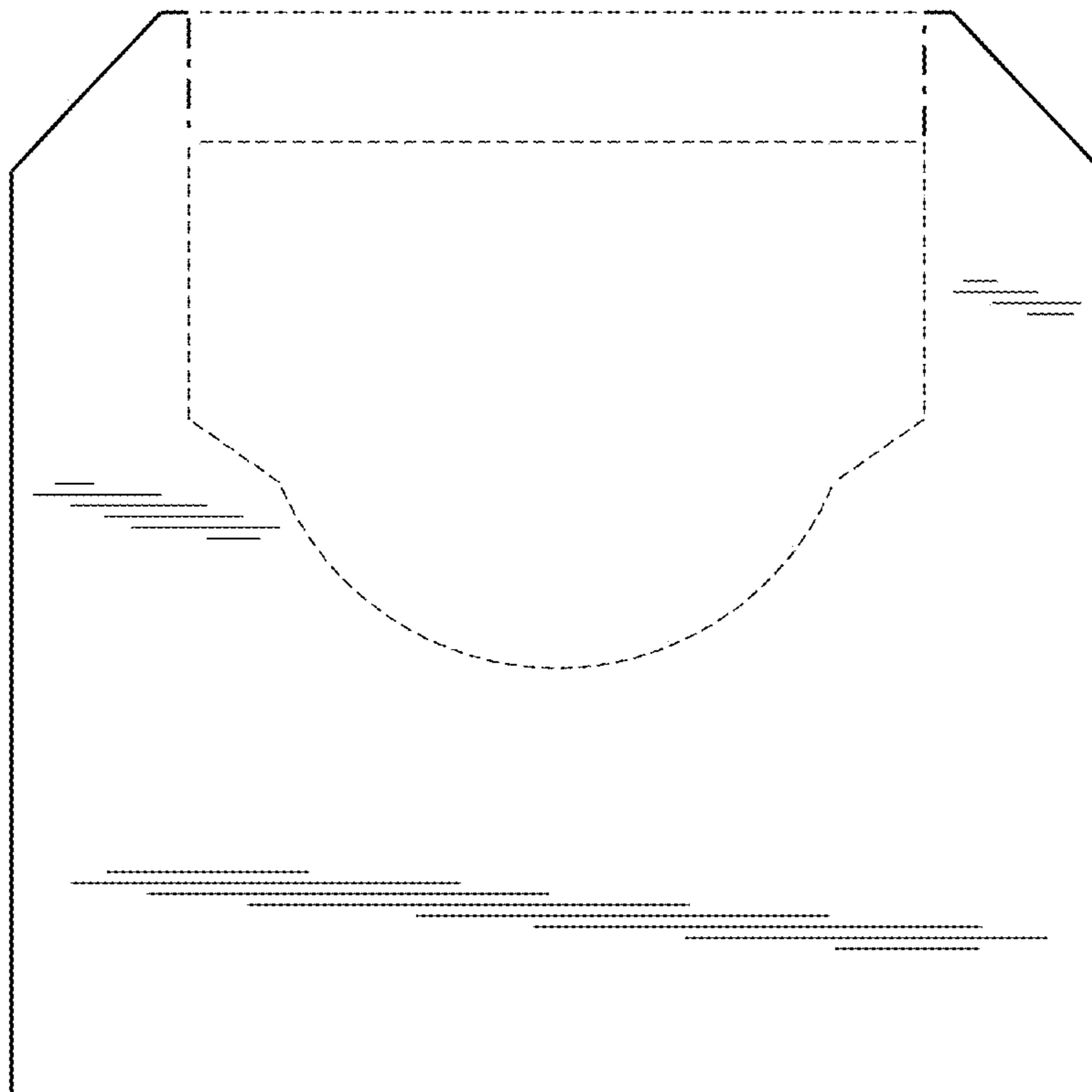


FIG. 7

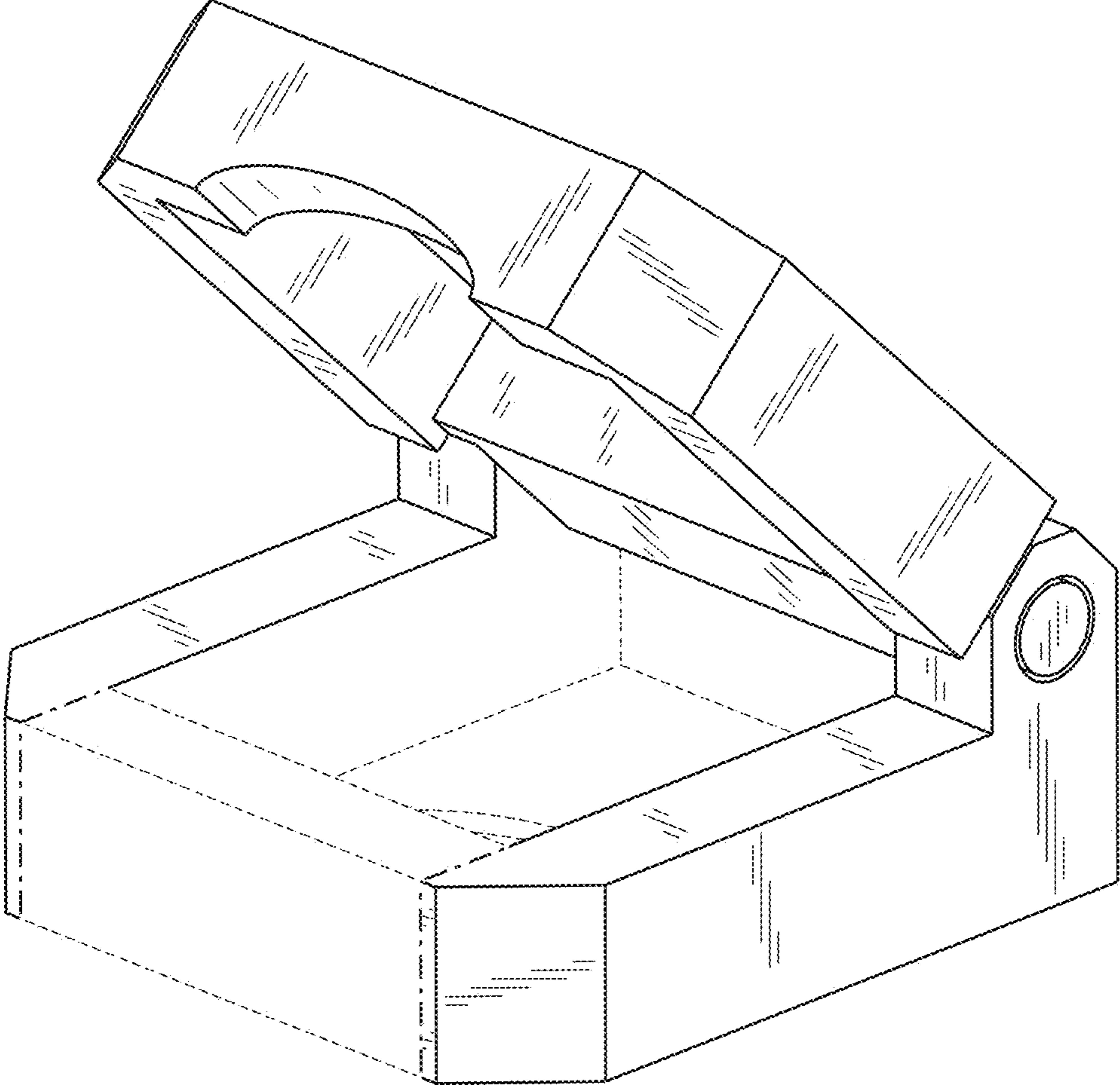


FIG. 8