



US00D954830S

(12) **United States Design Patent** (10) **Patent No.:** **US D954,830 S**
Bussey et al. (45) **Date of Patent:** **** Jun. 14, 2022**

(54) **GAMING MACHINE**
(71) Applicant: **Everi Games, Inc.**, Austin, TX (US)
(72) Inventors: **Travis B. Bussey**, Austin, TX (US);
James Palermo, Austin, TX (US);
Loren Nelson, Reno, NV (US);
Michael Conway, Austin, TX (US)
(73) Assignee: **Everi Games, Inc.**, Austin, TX (US)
(**) Term: **15 Years**

Primary Examiner — Mehri F Bajoul
(74) *Attorney, Agent, or Firm* — The Culbertson Group,
P.C.; Russell D. Culbertson

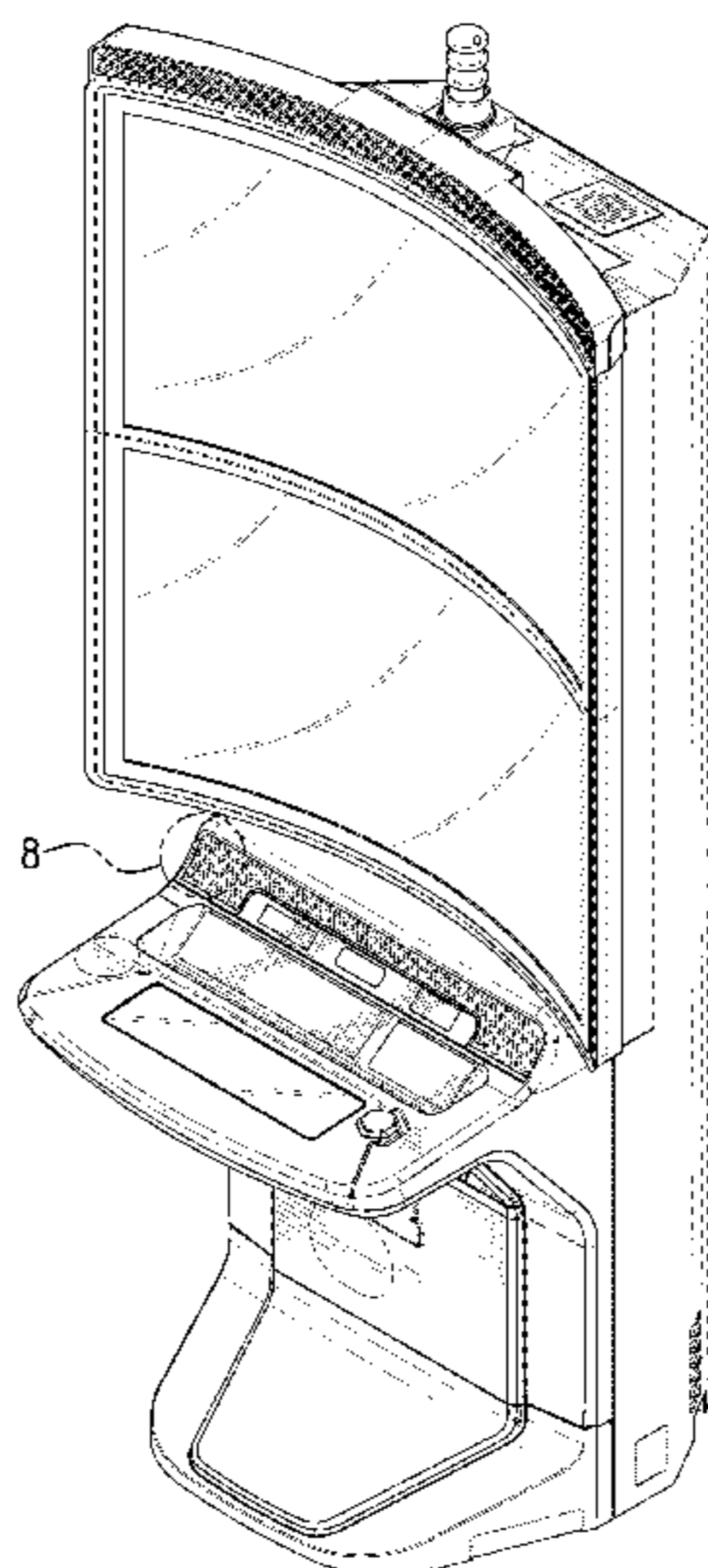
(21) Appl. No.: **29/665,601**
(22) Filed: **Oct. 4, 2018**
(51) **LOC (13) Cl.** **21-01**
(52) **U.S. Cl.**
USPC **D21/325**
(58) **Field of Classification Search**
USPC D21/300, 323, 324, 325, 326, 327, 328,
D21/329, 330, 331, 332, 333, 334, 335,
D21/336, 337, 369, 370, 371, 372, 373,
D21/374; D14/125, 126, 133, 203.7,
D14/203.8, 217, 300, 301, 302, 305, 307,
D14/334, 496, 511; D99/33, 34, 35, 36
CPC G07F 17/3283; G07F 17/3204; A63F
2001/001; A63F 2001/003; A63F
2001/005; A63F 2001/006
See application file for complete search history.

(57) **CLAIM**
The ornamental design for a gaming machine, as shown and described.

(56) **References Cited**
U.S. PATENT DOCUMENTS
D382,915 S * 8/1997 Yang D21/327
D498,267 S 11/2004 Crouch
D508,961 S * 8/2005 Gatto D21/325
D525,664 S 7/2006 Cole
D539,854 S * 4/2007 Luciano D21/369
D564,600 S * 3/2008 Greenberg D21/370
D617,388 S 6/2010 Wildner
D673,619 S 1/2013 Seelig
D673,620 S 1/2013 Johnson

DESCRIPTION
FIG. 1 is a right perspective view from the front and above a gaming machine showing the new design.
FIG. 2 is a front view of the gaming machine shown in FIG. 1.
FIG. 3 is a rear view of the gaming machine shown in FIG. 1.
FIG. 4 is a left side view of the gaming machine shown in FIG. 1.
FIG. 5 is a right side view of the gaming machine shown in FIG. 1.
FIG. 6 is a top view of the gaming machine shown in FIG. 1.
FIG. 7 is a bottom view of the gaming machine shown in FIG. 1.
FIG. 8 is an enlarged perspective view of the gaming machine portion called out in FIG. 1; and,
FIG. 9 is an enlarged perspective view of the gaming machine portion called out in FIG. 2.
The dotted lines shown in the drawings depict portions of the gaming machine that form no part of the claimed design.
The symbol consisting of a hexagon shape that is split down the middle vertically with a letter “E” within the center of the hexagon is a trademark of “Everi Games, Inc.”, and forms no part of the claimed design. The short-long dash lines illustrate boundary line which define the bounds of the claim. The remaining dotted broken lines depict portions of the gaming machine that form no part of the claimed design.

1 Claim, 7 Drawing Sheets



(Continued)

(56)

References Cited

U.S. PATENT DOCUMENTS

D673,621	S	1/2013	Johnson	
D674,023	S *	1/2013	Seelig	D21/369
D684,216	S *	6/2013	Terpstra	D21/370
D697,558	S *	1/2014	Myers	D21/325
D704,273	S *	5/2014	Chudek	D21/369
D721,766	S *	1/2015	Ferrazoli	D21/370
D723,626	S	3/2015	Vasquez	
D730,993	S *	6/2015	Castro	D21/370
D740,887	S *	10/2015	Randazzo	D21/370
D740,888	S *	10/2015	DePalma	D21/370
D763,361	S	8/2016	Rosander	
9,704,337	B2	7/2017	Riggs	
D810,833	S	2/2018	Rosander	
D813,954	S	3/2018	Calhoun	
D818,048	S *	5/2018	Calhoun	D21/369
D826,338	S	8/2018	Bussey	
D842,930	S *	3/2019	Johnson	D21/369
D854,620	S *	7/2019	Yeh	D21/369
D854,621	S *	7/2019	Calhoun	D21/369
D866,667	S *	11/2019	Stair	D21/369
2008/0113794	A1	5/2008	Cole	
2013/0084948	A1	4/2013	Watkins	
2018/0018852	A1 *	1/2018	Riggs	A63F 13/30
2018/0082523	A1	3/2018	Palermo	

* cited by examiner

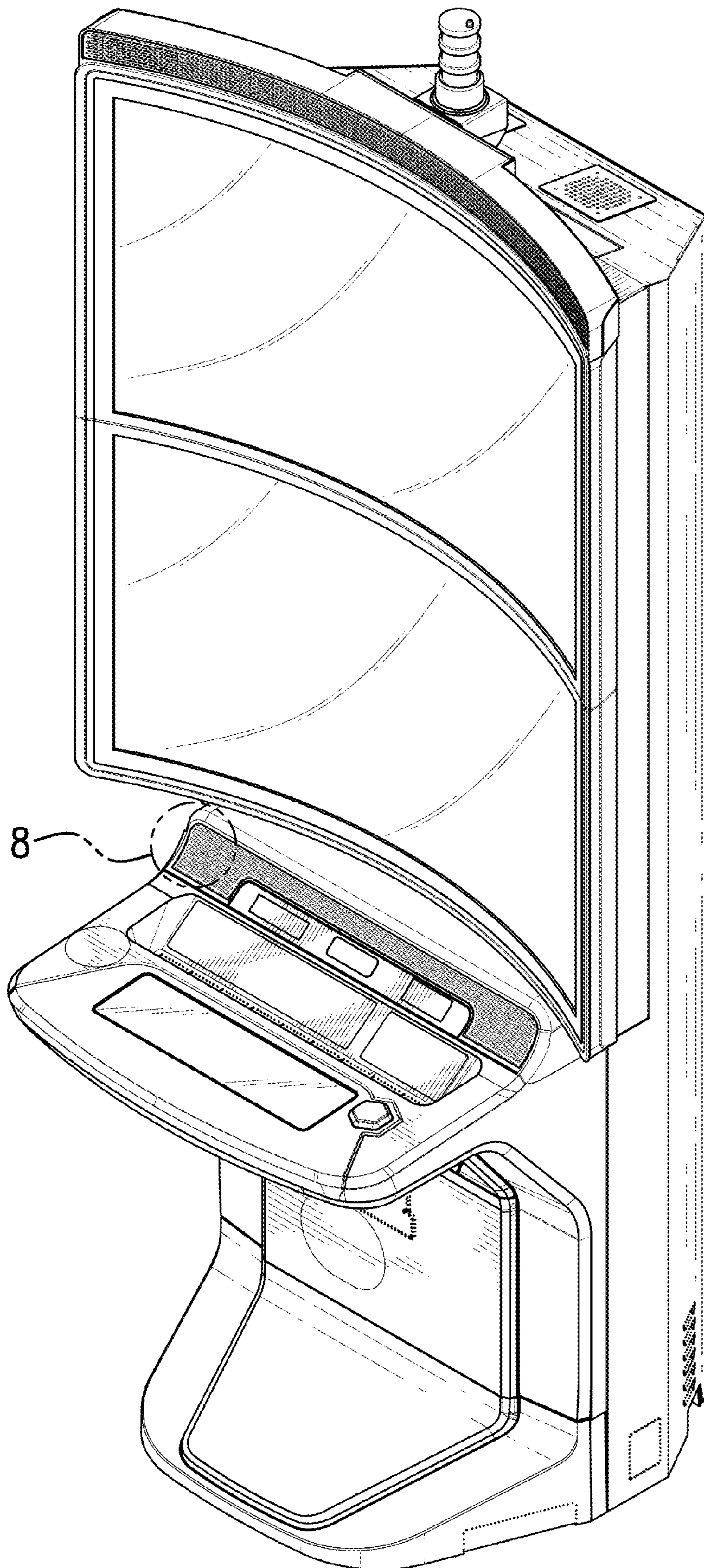


FIG. 1

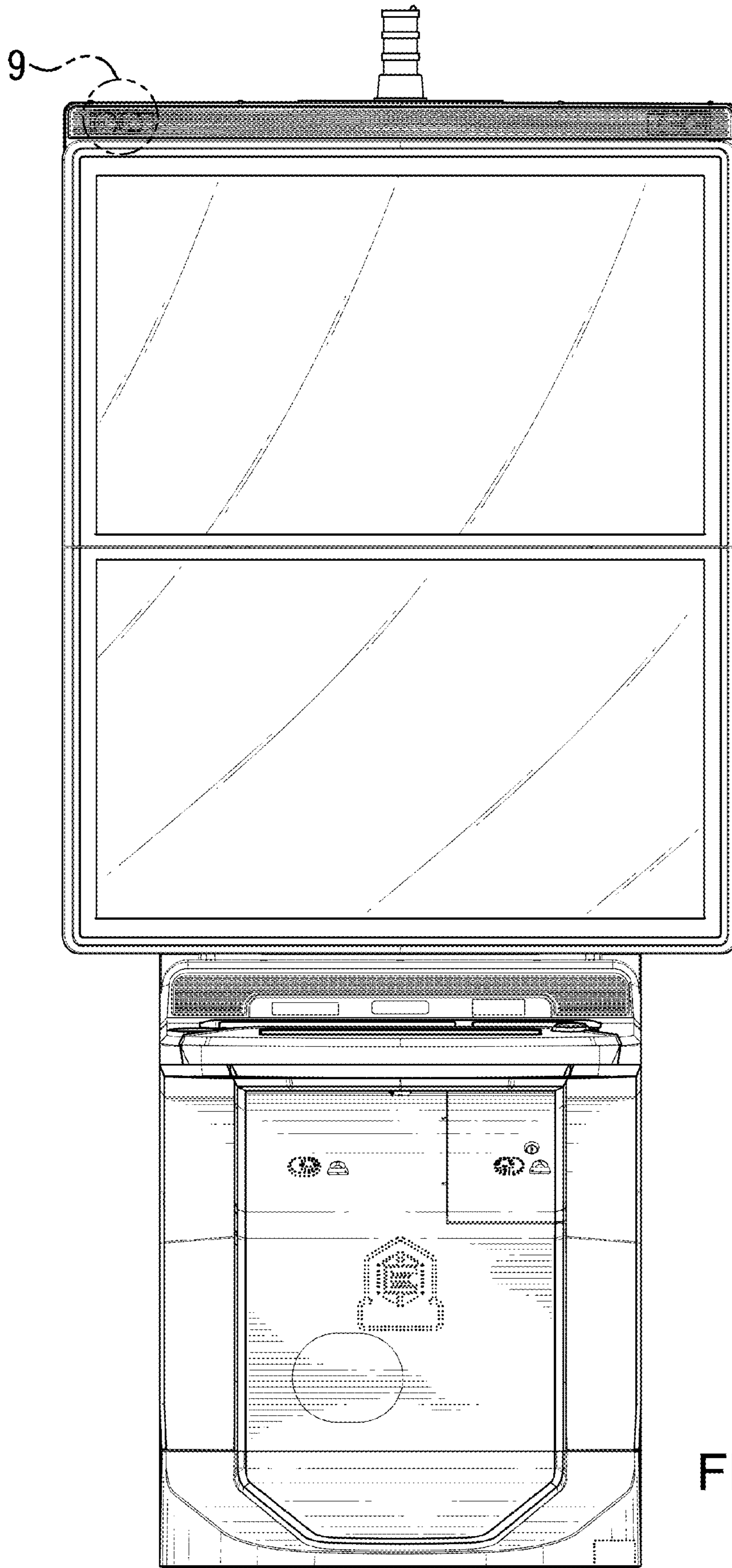


FIG. 2

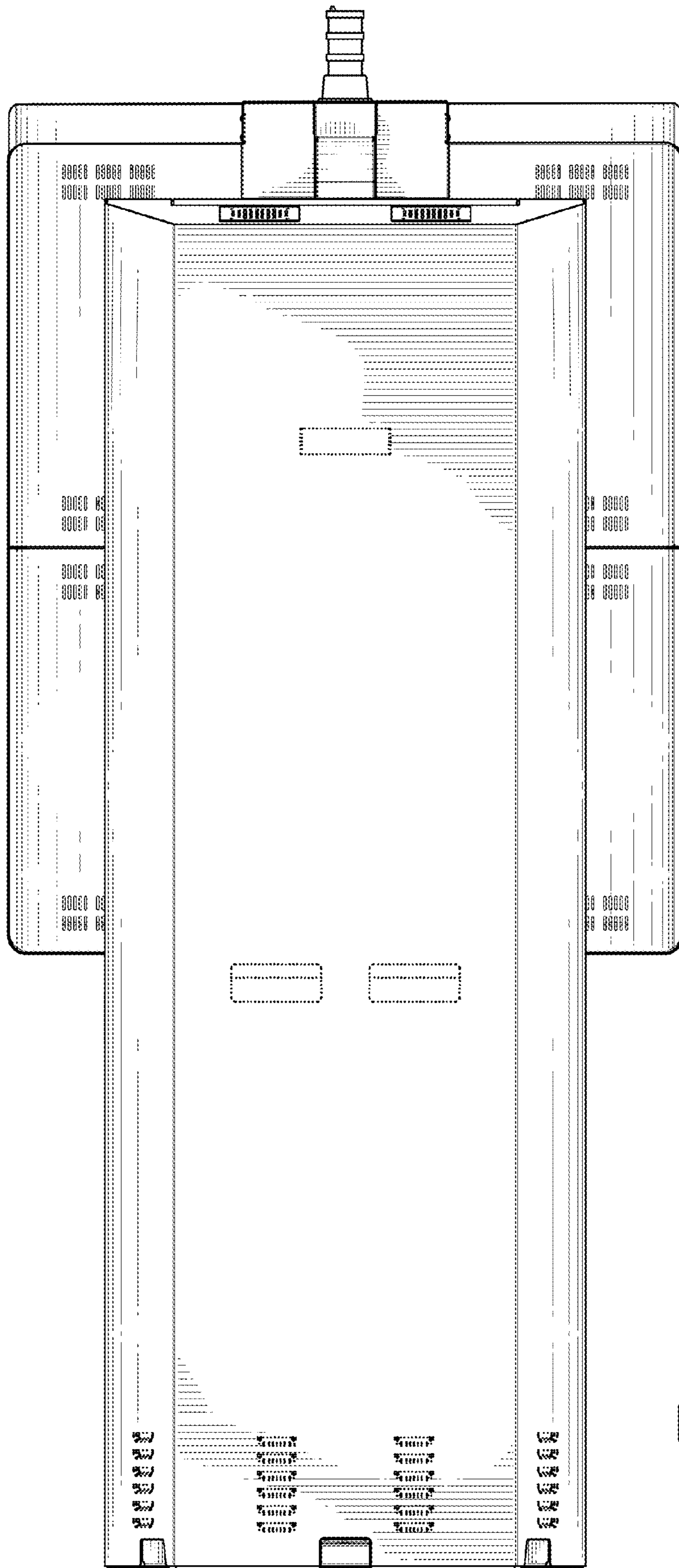


FIG. 3

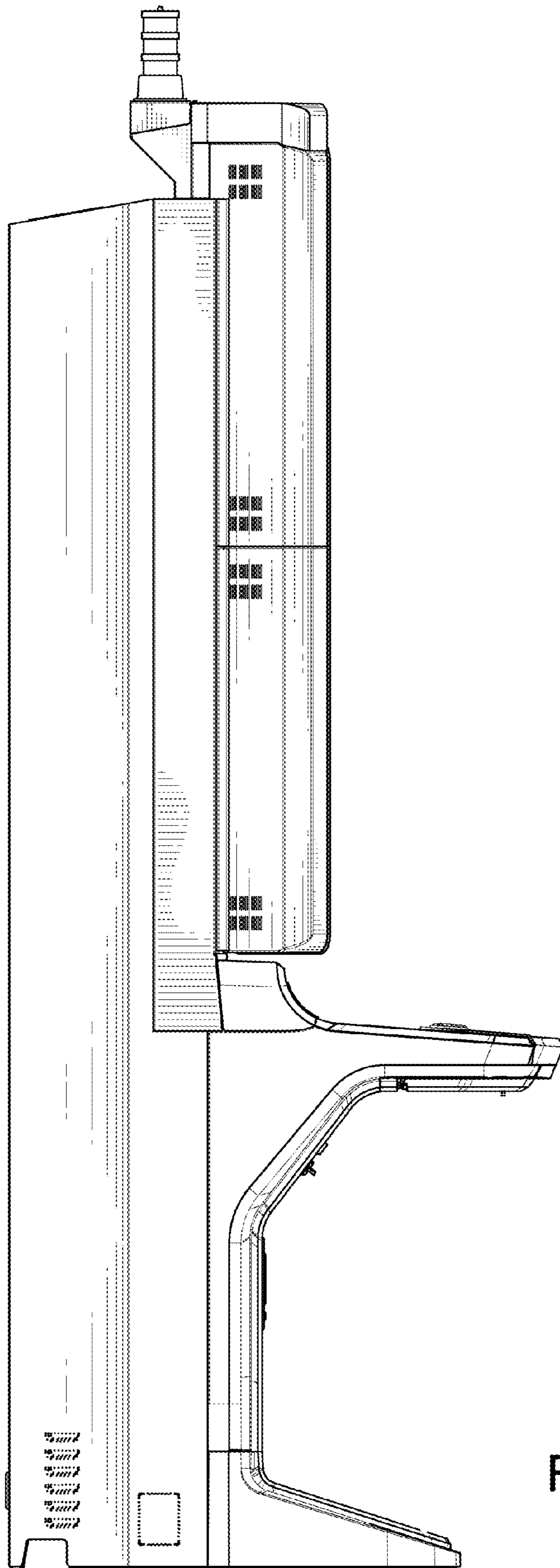


FIG. 4

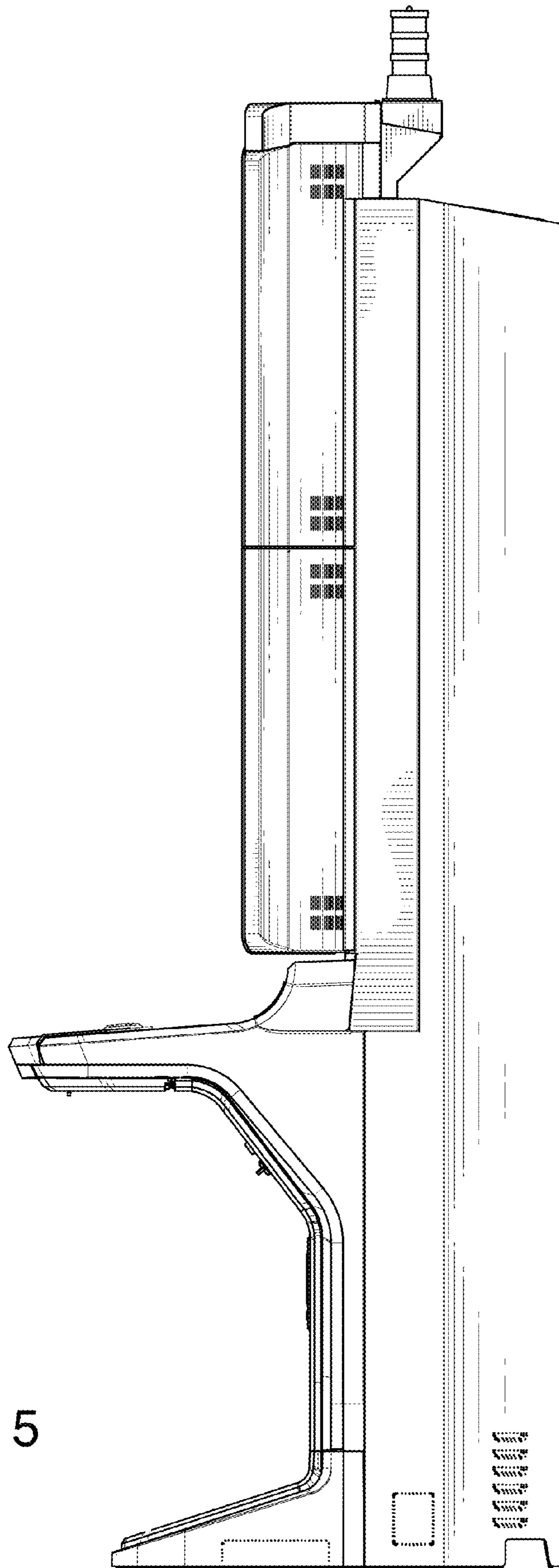


FIG. 5

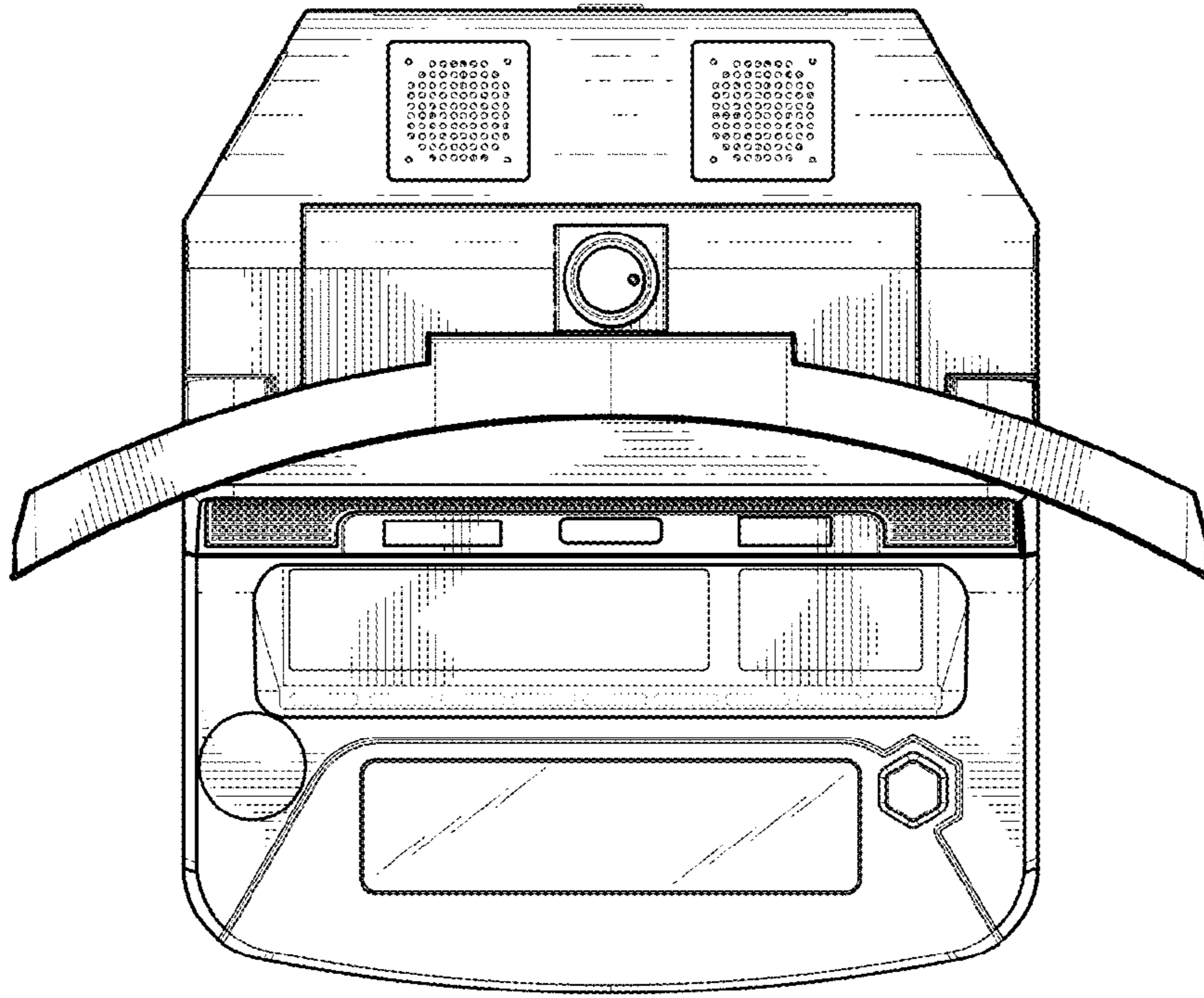


FIG. 6

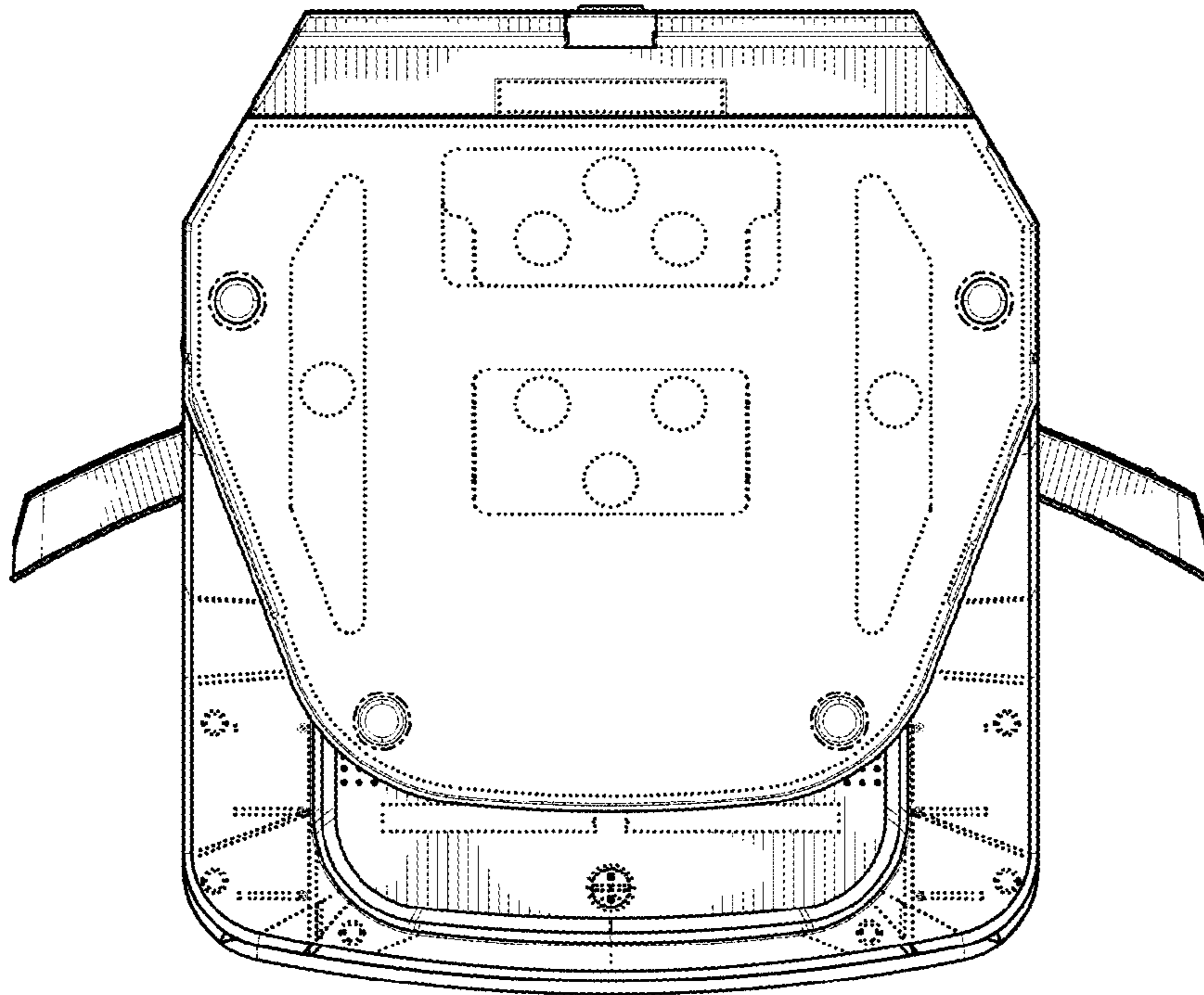


FIG. 7

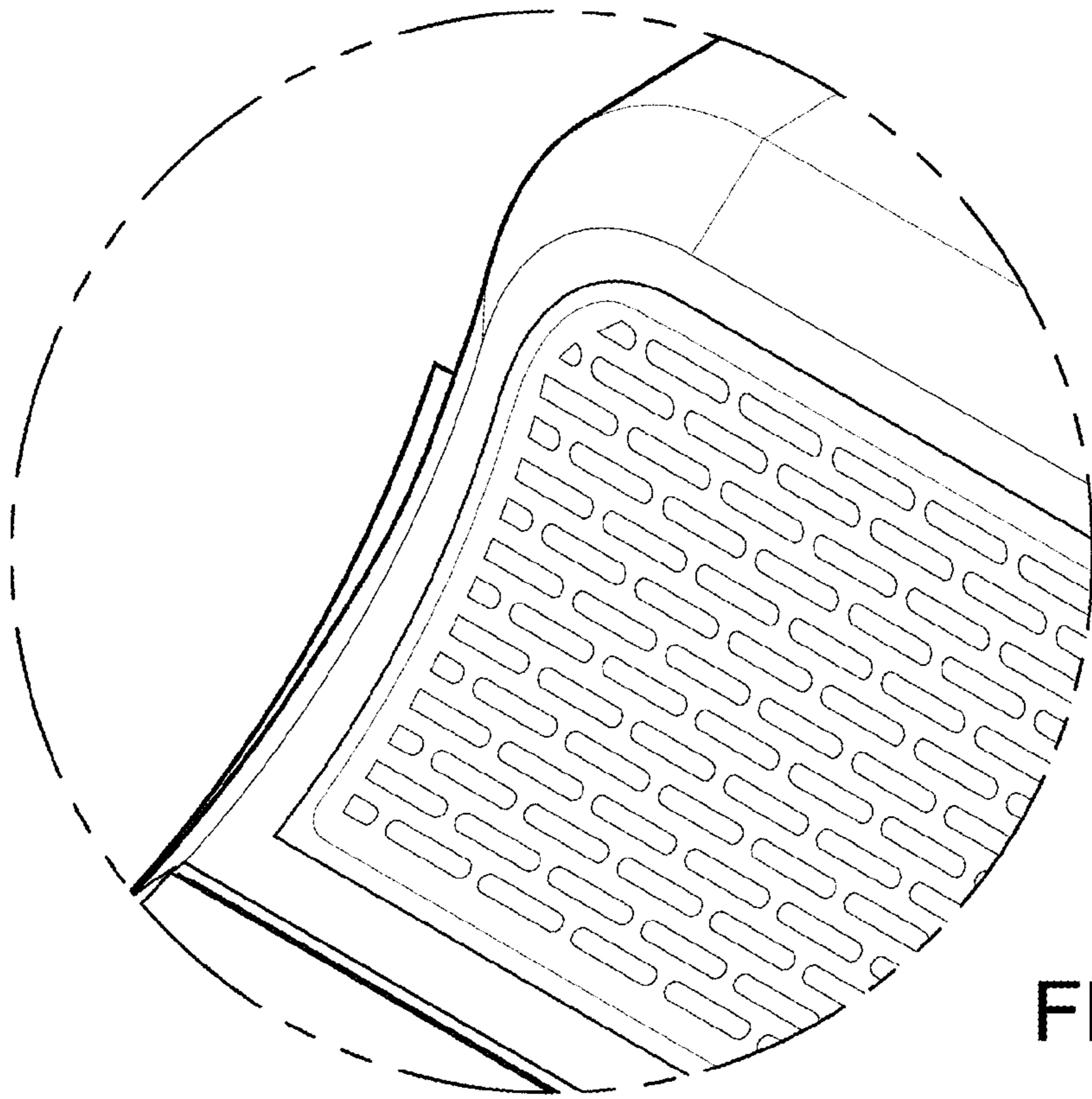


FIG. 8

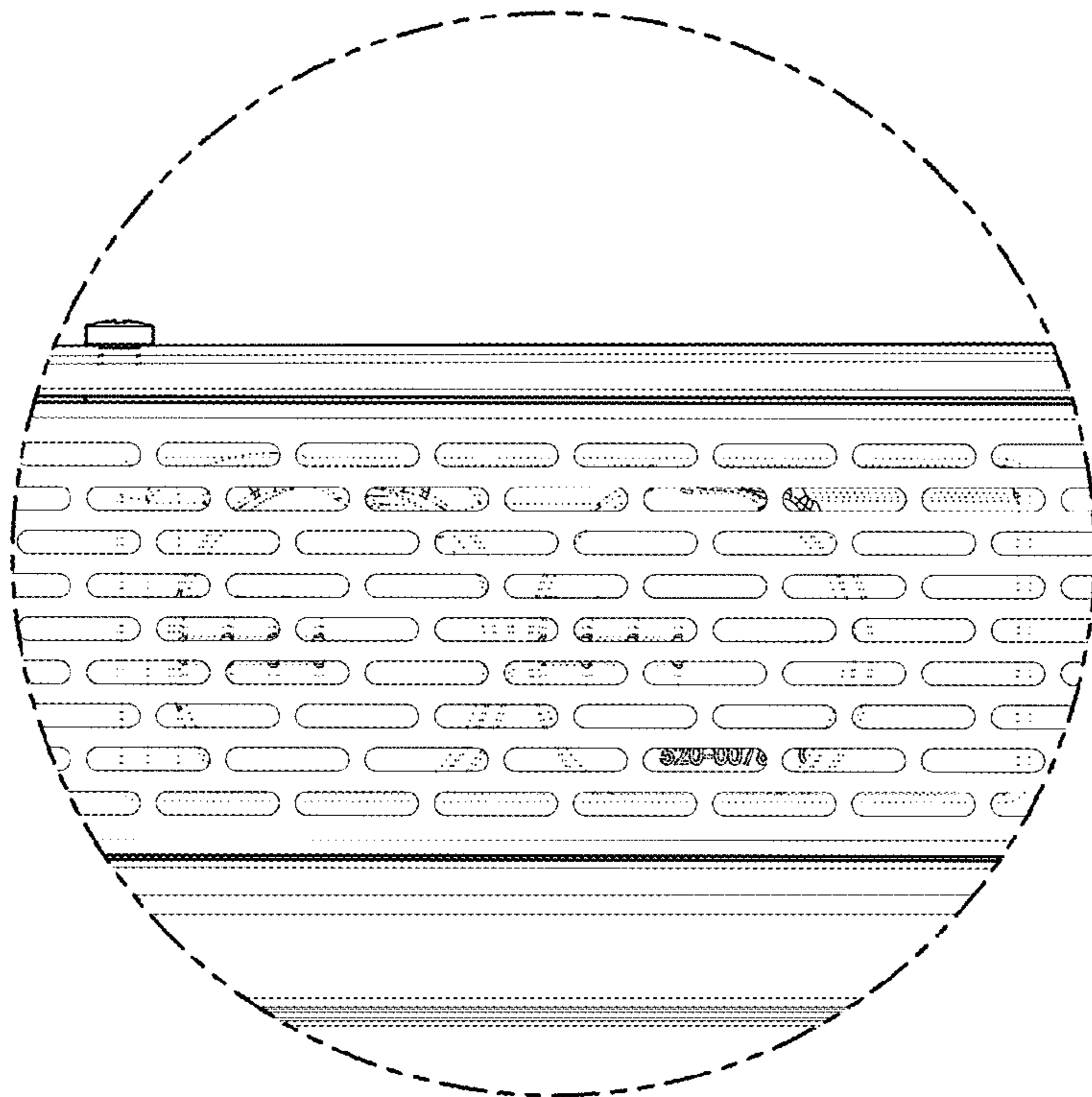


FIG. 9

UNITED STATES PATENT AND TRADEMARK OFFICE
CERTIFICATE OF CORRECTION

PATENT NO. : D954,830 S
APPLICATION NO. : 29/665601
DATED : June 14, 2022
INVENTOR(S) : Travis B. Bussey et al.

Page 1 of 1

It is certified that error appears in the above-identified patent and that said Letters Patent is hereby corrected as shown below:

On the Title Page

Item (72) insert:

-- Craig Gallagher, Austin, TX (US);
Daniel Gibson, Austin, TX (US);
Peter A. Phillips, Jr., Austin, TX (US);
Nathan Careless, Cedar Park, TX (US) --

Signed and Sealed this
Thirteenth Day of February, 2024



Katherine Kelly Vidal
Director of the United States Patent and Trademark Office