



US00D954829S

(12) **United States Design Patent** (10) **Patent No.:** **US D954,829 S**
Olive et al. (45) **Date of Patent:** **** Jun. 14, 2022**

(54) **GAMING MACHINE ISLAND**
(71) Applicant: **Aristocrat Technologies Australia Pty Limited**, North Ryde (AU)
(72) Inventors: **Scott Olive**, Brookvale (AU); **Talles Vito**, Warriewood (AU); **Matthew Deitz**, Dee Why (AU)
(73) Assignee: **Aristocrat Technologies Australia Pty Limited**, North Ryde (AU)

D369,850 S 5/1996 Cammack
D444,508 S 7/2001 George
D458,558 S 6/2002 Tschetter
D571,440 S 6/2008 Kanao
D572,770 S 7/2008 Seelig
D607,945 S * 1/2010 Guinchard D21/324
D665,953 S 8/2012 Leary
D705,363 S * 5/2014 Inoue D21/369
D707,301 S * 6/2014 Inoue D21/369
D714,875 S 10/2014 Wudtke
9,728,031 B2 8/2017 Schultz
D810,829 S * 2/2018 Loynes D21/329
(Continued)

(**) Term: **15 Years**

OTHER PUBLICATIONS

(21) Appl. No.: **29/735,520**
(22) Filed: **May 21, 2020**
(51) **LOC (13) Cl.** **21-01**
(52) **U.S. Cl.**
USPC **D21/324**
(58) **Field of Classification Search**
USPC D21/300, 323, 324, 325, 326, 327, 328,
D21/329, 330, 331, 332, 333, 334, 335,
D21/336, 337, 369, 370, 371, 372, 373,
D21/374, 385, 386; D14/125, 126, 127,
D14/129, 133, 140, 140.2, 142, 144, 145,
D14/149, 151, 203, 217, 300, 301, 302,
D14/305, 306, 356-358, 307, 334, 49,
D14/362, 365, 383-388, 467, 502, 371,
D14/611; D20/10; D6/300, 301
CPC A63F 13/005; A63F 59/04; G07F 17/3295;
G07F 17/3283; G07F 17/3204; H04N
7/14; H04N 7/141; H04N 7/142; H04N
5/225

“Aristocrat Gaming Machine”, posted Mar. 15, 2021 [Online], [retrieved Dec. 13, 2021]. Retrieved from Internet, Aristocrat’s Buffalo Link now available on MarsX Portrait Cabinet.*

(Continued)

Primary Examiner — Mehri F Bajoul
(74) *Attorney, Agent, or Firm* — McAndrews, Held & Malloy, Ltd.

(57) **CLAIM**

The ornamental design for a gaming machine island, as shown and described.

DESCRIPTION

FIG. 1 is a front perspective view of a gaming machine island showing our new design;
FIG. 2 is a front elevation view thereof;
FIG. 3 is a rear elevation view thereof;
FIG. 4 is a right side elevation view thereof;
FIG. 5 is a left side elevation view thereof;
FIG. 6 is a top plan view thereof; and,
FIG. 7 is a bottom plan view thereof.
The dashed broken lines in the figures illustrate portions of the gaming machine island that form no part of the claimed design.

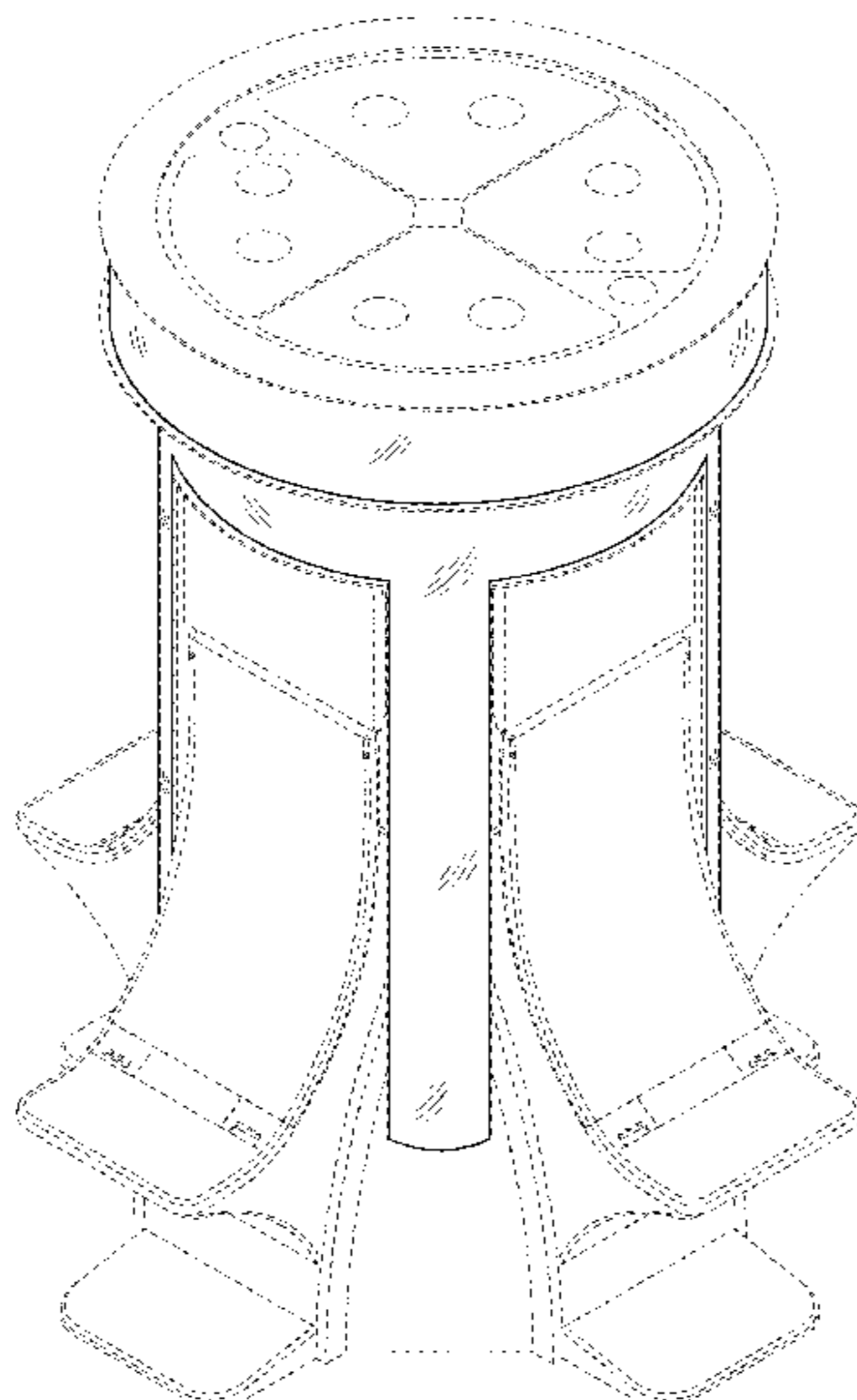
See application file for complete search history.

(56) **References Cited**

U.S. PATENT DOCUMENTS

D326,285 S 5/1992 Leveille
5,215,659 A 6/1993 Ando
D360,019 S 7/1995 Sonden
D361,154 S 8/1995 Makinen

1 Claim, 7 Drawing Sheets



(56)

References Cited

U.S. PATENT DOCUMENTS

D810,830 S * 2/2018 Sharp D21/329
 10,019,873 B2 7/2018 Okuaki
 D845,258 S 4/2019 D'Ambrosio
 D859,335 S 9/2019 D'Ambrosio
 D862,602 S * 10/2019 Kariya D21/324
 D868,717 S * 12/2019 Hodgson D14/127
 D877,811 S 3/2020 Bernard
 D880,605 S 4/2020 Bussey
 D882,699 S 4/2020 Bernard
 D882,700 S 4/2020 Wudtke
 D883,393 S 5/2020 Bernard
 D891,520 S 7/2020 Urban
 D899,525 S * 10/2020 Egar D21/369
 D900,229 S 10/2020 Bussey
 D904,523 S 12/2020 Legras
 D905,791 S * 12/2020 French D21/369
 D905,792 S * 12/2020 Baerlocher D21/369
 D906,155 S 12/2020 Freiberg
 D907,127 S * 1/2021 Olive D21/385
 D907,129 S * 1/2021 Olive D21/395
 D909,479 S * 2/2021 DeMarco D21/324
 D911,207 S 2/2021 Grace
 D913,140 S 3/2021 Grace
 D914,807 S * 3/2021 Olive D21/369
 D916,969 S 4/2021 Fleming, Jr.
 D919,708 S * 5/2021 Bussey D21/369
 D934,346 S * 10/2021 Olive D21/369

2001/0008074 A1 7/2001 Radley-Smith
 2005/0189906 A1 9/2005 Sun
 2007/0095105 A1 * 5/2007 Dagesian A44C 17/04
 63/28
 2009/0023491 A1 * 1/2009 Ikeya G07F 17/32
 463/20
 2012/0239521 A1 * 9/2012 Acworth F21S 8/06
 705/26.5
 2014/0123702 A1 * 5/2014 Pierce A44C 15/00
 63/40
 2014/0326022 A1 11/2014 Tosyali
 2019/0102974 A1 4/2019 Bussey
 2020/0364969 A1 11/2020 Pececnik
 2020/0372757 A1 11/2020 Cire
 2020/0388106 A1 12/2020 Urban

OTHER PUBLICATIONS

“Aristocrat Gaming Machine”, posted Mar. 17, 2021 [Online],
 [retrieved Dec. 13, 2021]. Retrieved from Internet, <https://goldencasinonews.com/blog/2021/03/17/aristocrats-buffalo-link-now-available-on-marsx-portrait-cabinet/>.
 Notice of Allowance dated Feb. 4, 2021 for U.S. Appl. No. 29/708,289 (pp. 1-10).
 Notice of Allowance dated Jul. 22, 2021 for U.S. Appl. No. 29/771,639 (pp. 1-8).

* cited by examiner

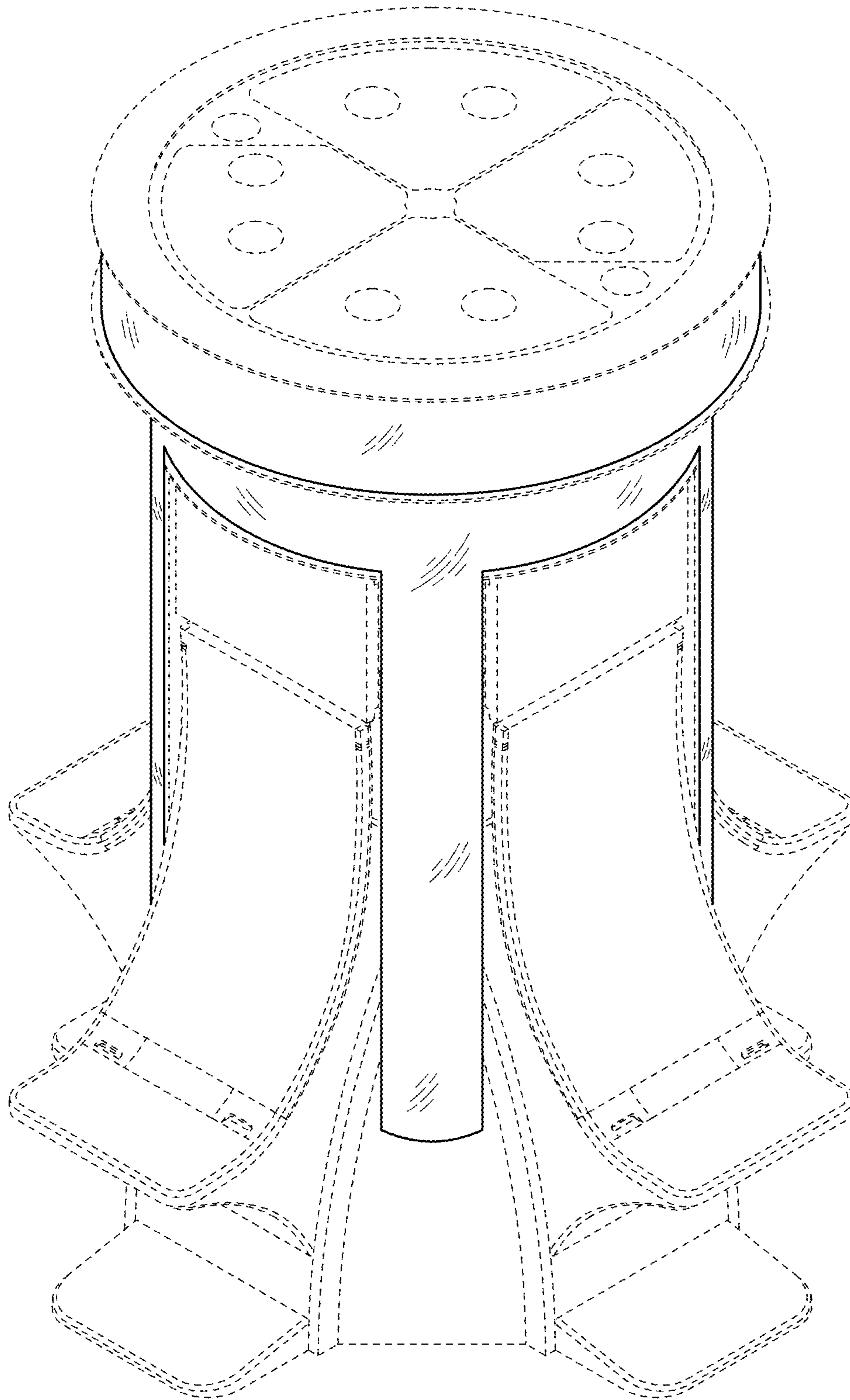


FIG. 1

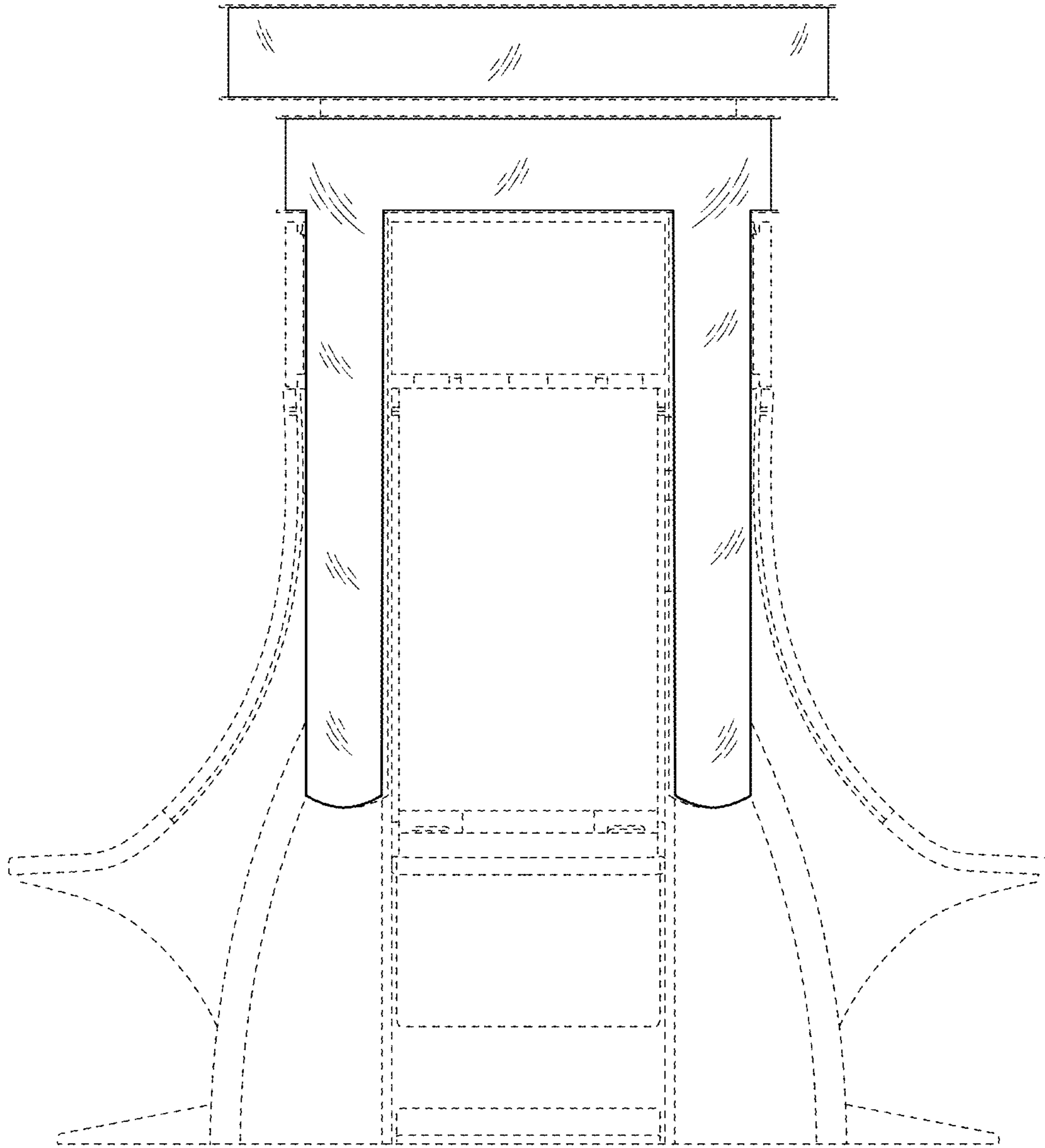


FIG. 2

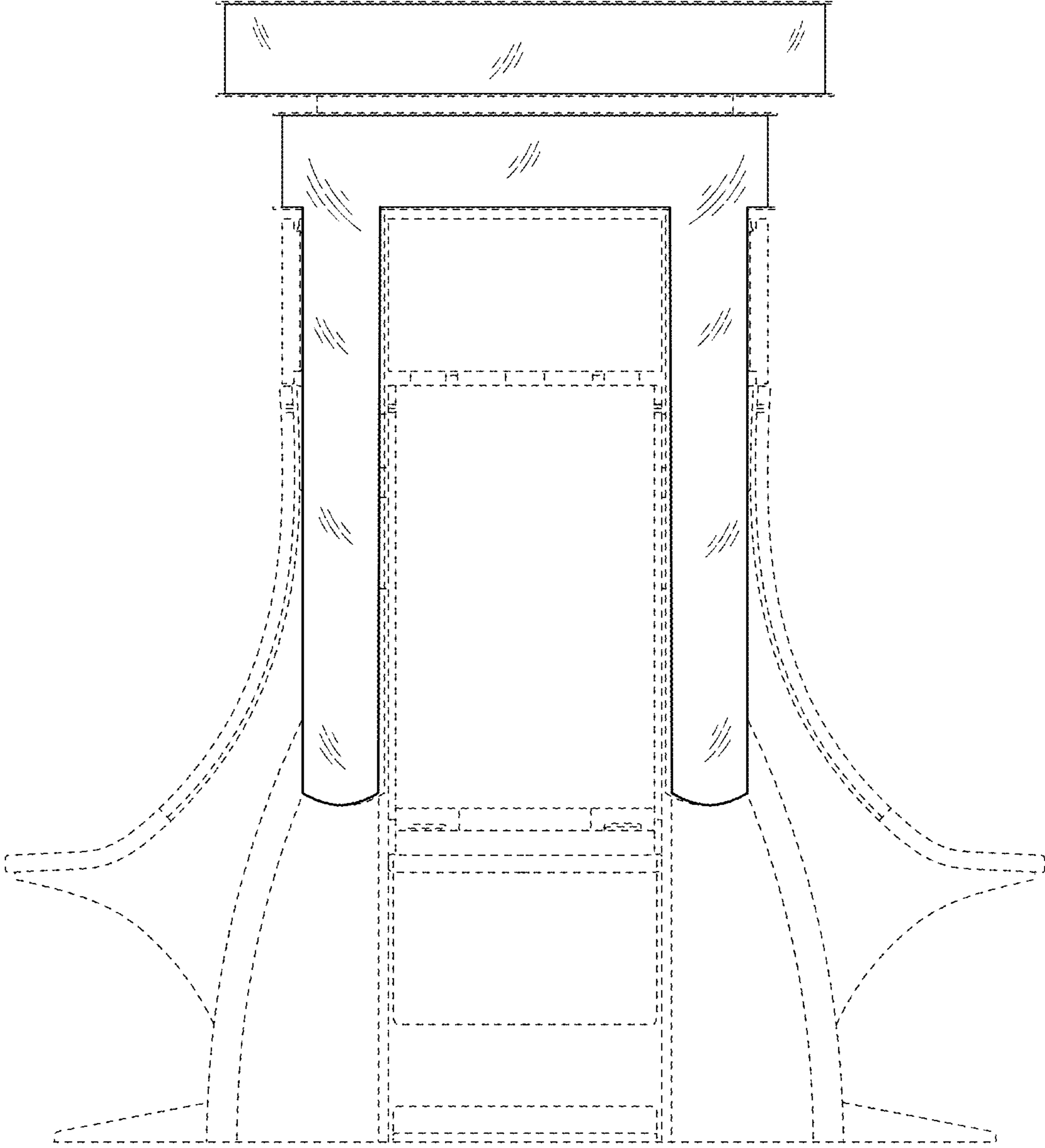


FIG. 3

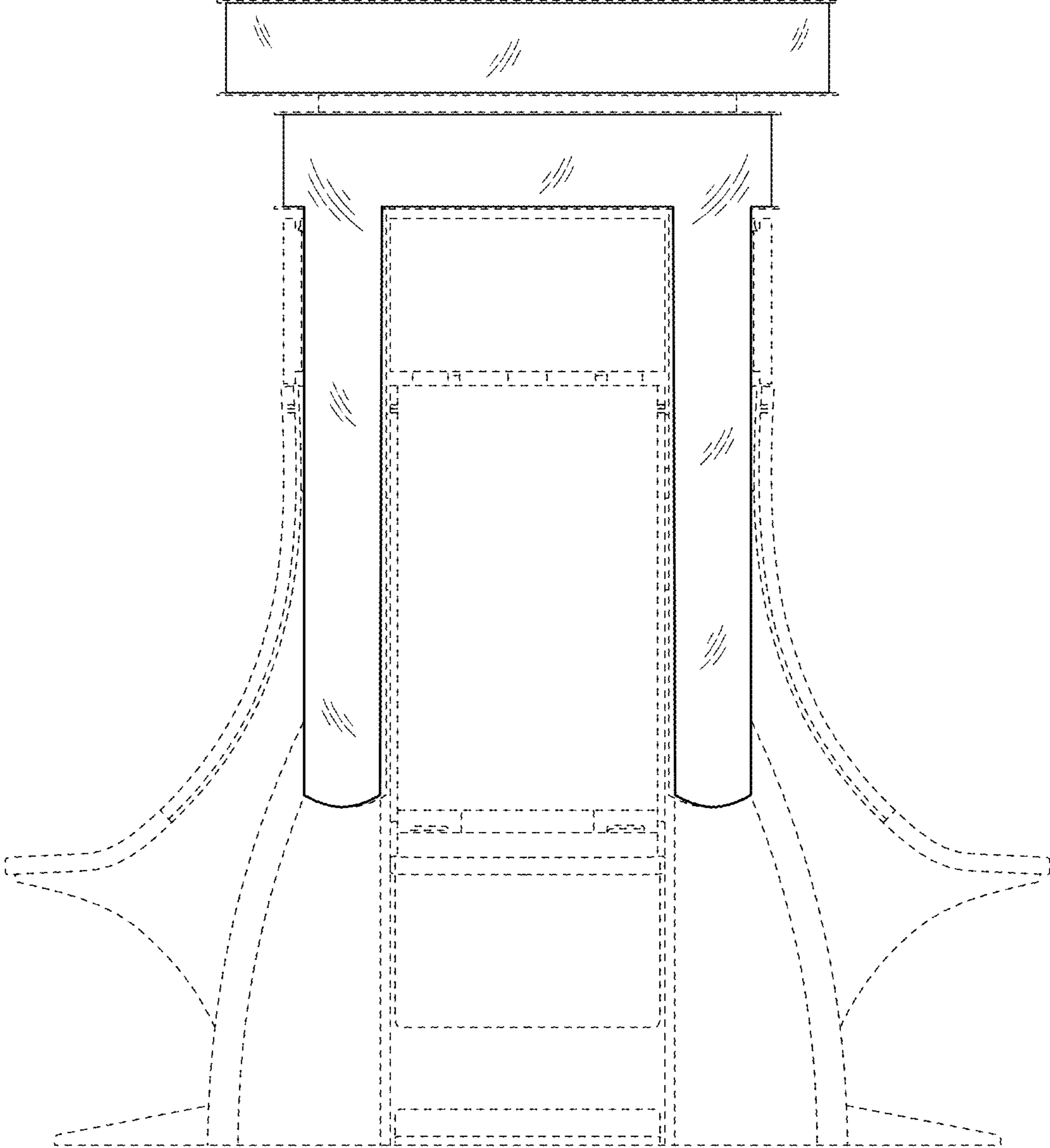


FIG. 4

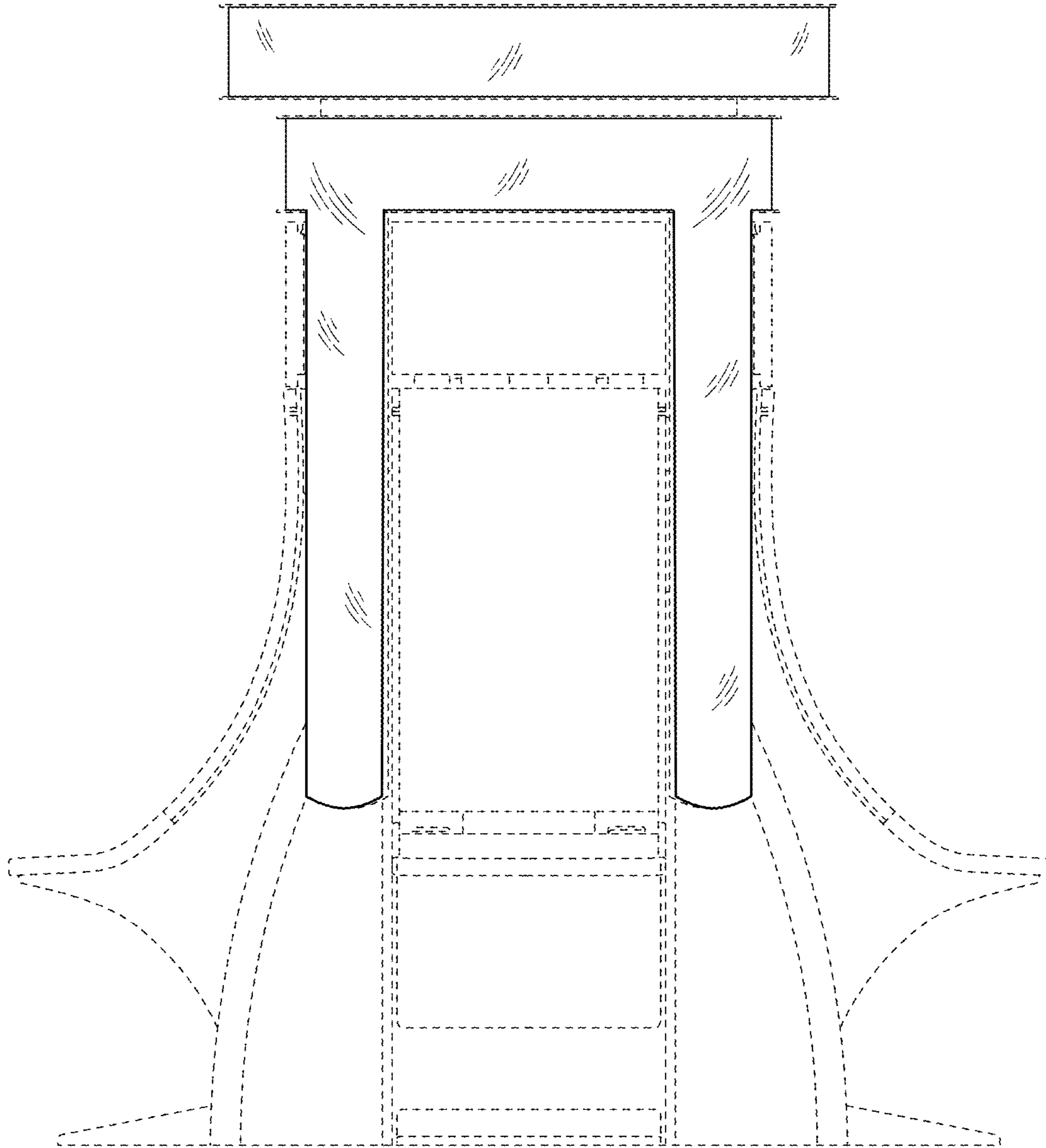


FIG. 5

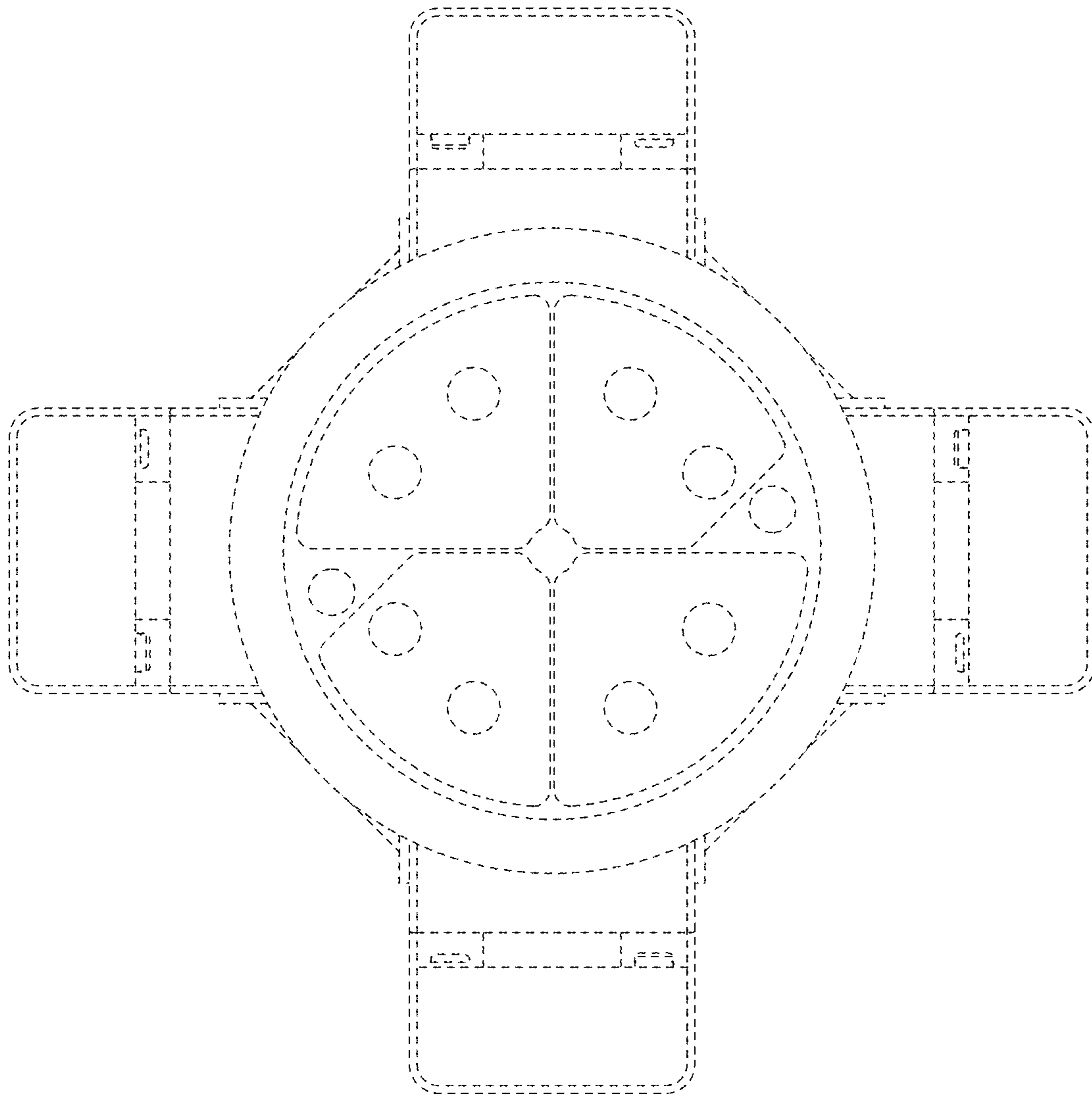


FIG. 6

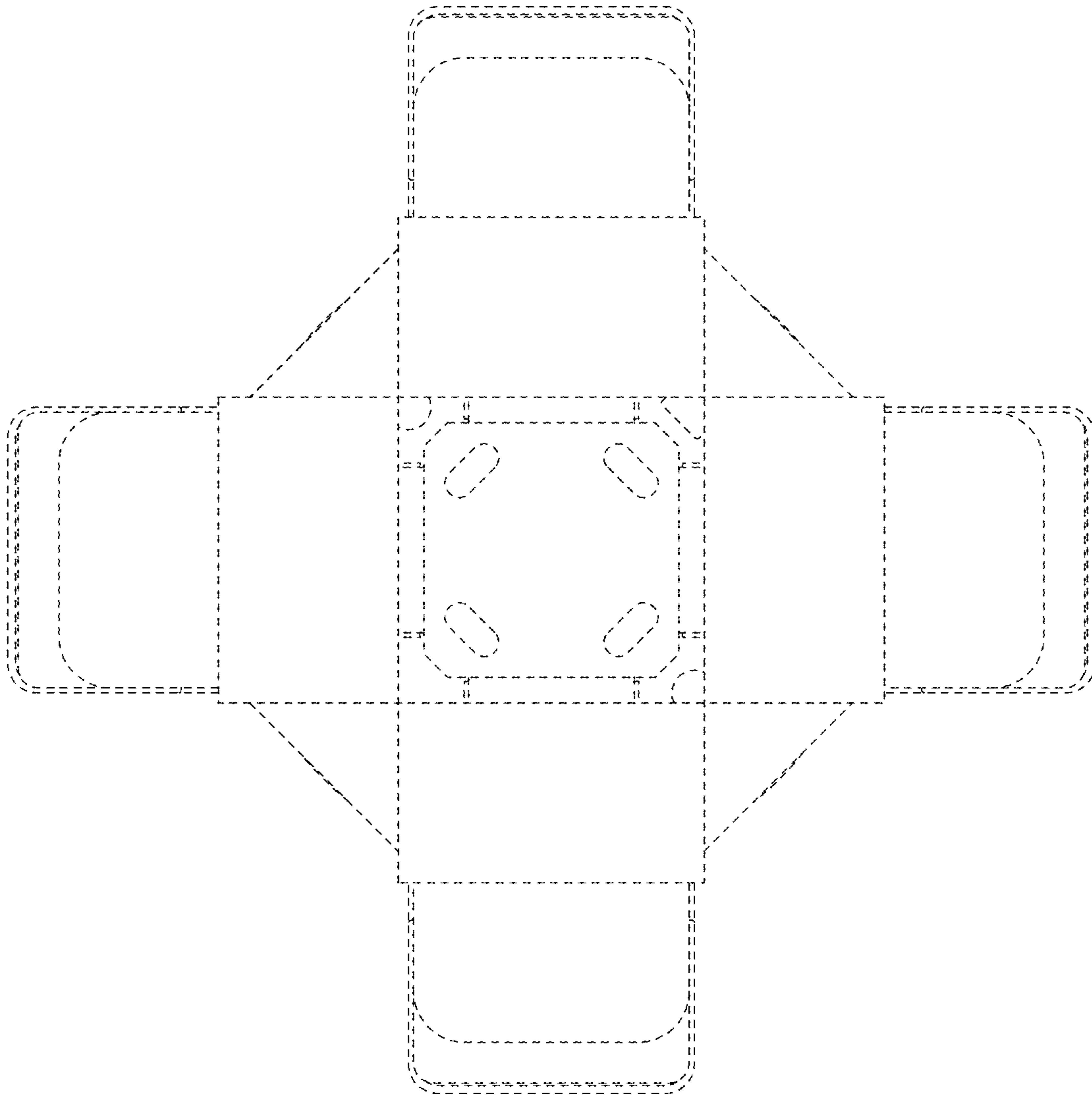


FIG. 7