



US00D954828S

(12) **United States Design Patent** (10) **Patent No.:** **US D954,828 S**
Sabo (45) **Date of Patent:** **** Jun. 14, 2022**

(54) **RING GAME APPARATUS**
(71) Applicant: **William Sabo**, Tampa, FL (US)
(72) Inventor: **William Sabo**, Tampa, FL (US)
(**) Term: **15 Years**
(21) Appl. No.: **29/725,729**
(22) Filed: **Feb. 26, 2020**
(51) **LOC (13) Cl.** **21-01**
(52) **U.S. Cl.**
USPC **D21/309; D21/304**
(58) **Field of Classification Search**
USPC D21/302, 303, 304, 306, 309, 322, 401,
D21/466, 699, 716, 719, 788; D9/436,
D9/455, 715, 601; 473/422, 423, 429,
473/430, 507, 508, 514; 273/320, 332
CPC A63B 69/0079; A63B 2071/026; A63B
63/00; A63B 65/00; A63B 67/00; A63F
1/067; A47B 25/00
See application file for complete search history.

(56) **References Cited**
U.S. PATENT DOCUMENTS
D33,152 S * 9/1900 Hawkins D21/304
1,052,907 A * 2/1913 Fergusson A63F 9/02
273/332
D70,510 S * 7/1926 Schacht D21/304
3,288,466 A * 11/1966 Cumings A63B 69/0079
473/430
3,656,747 A * 4/1972 Revell, Jr. A63B 67/10
273/331
D285,811 S * 9/1986 Donahoe D21/304
5,171,019 A * 12/1992 Arnette A63B 67/10
273/332
D429,051 S * 8/2000 Porter D34/33
D433,723 S * 11/2000 Hynes D21/719
D641,944 S * 7/2011 Zhou D34/33

8,033,934 B1 * 10/2011 Clancy A63B 69/0002
473/430
D713,776 S * 9/2014 Steady B60R 9/06
D12/406
D750,865 S * 3/2016 Icetone D34/33
D758,254 S * 6/2016 Woller, Jr D12/106
D818,664 S * 5/2018 Martinez D34/33
D855,720 S * 8/2019 Kuka D21/686
10,420,292 B1 * 9/2019 Ehlers B25B 5/068
D874,872 S * 2/2020 Godinger D7/397
D900,222 S * 10/2020 Meyer D21/302
D900,223 S * 10/2020 Meyer D21/302
D902,317 S * 11/2020 McGetrick D21/309
D915,519 S * 4/2021 McGetrick D21/309
2009/0206550 A1 * 8/2009 Pershin A63B 67/10
273/332
2012/0280464 A1 * 11/2012 Nelson A61G 7/1067
280/86.75

(Continued)

OTHER PUBLICATIONS

“Tiki Toss Hook And Ring Toss Game” posted Mar. 27, 2018
[Online],[Retrieved Oct. 9, 2021], from Internet: <https://bit.ly/3uYcRqD>.*

(Continued)

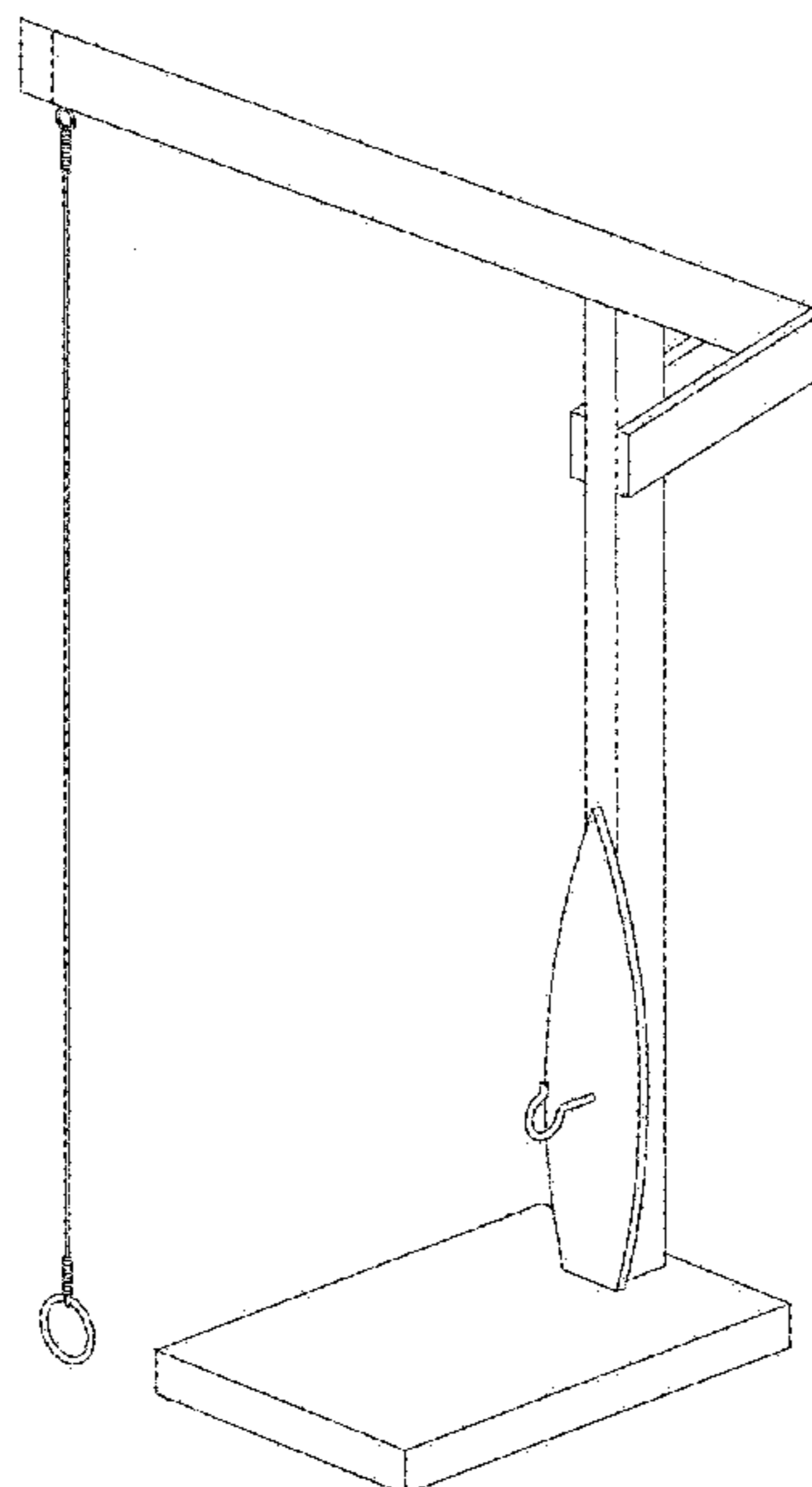
Primary Examiner — Mehri F Bajoul
(74) Attorney, Agent, or Firm — Justin Luby

(57) **CLAIM**
The ornamental design for a ring game apparatus, as shown.

DESCRIPTION

FIG. 1 is a front, right side perspective view showing my
new design of the ring game apparatus;
FIG. 2 is a front elevational view thereof;
FIG. 3 is a rear elevational view thereof;
FIG. 4 is a right elevational view thereof; and,
FIG. 5 is a left elevational view thereof.

1 Claim, 5 Drawing Sheets



(56)

References Cited

U.S. PATENT DOCUMENTS

2014/0049007 A1* 2/2014 McGetrick A63F 9/0208
273/332
2015/0115530 A1* 4/2015 Vanston A63F 9/0208
273/332

OTHER PUBLICATIONS

“BarConic Ring” posted Aug. 31, 2016[Online],[Retrieved Oct. 9, 2021], from Internet: <https://amzn.to/3iL1Cx0>.*

* cited by examiner

FIG.1

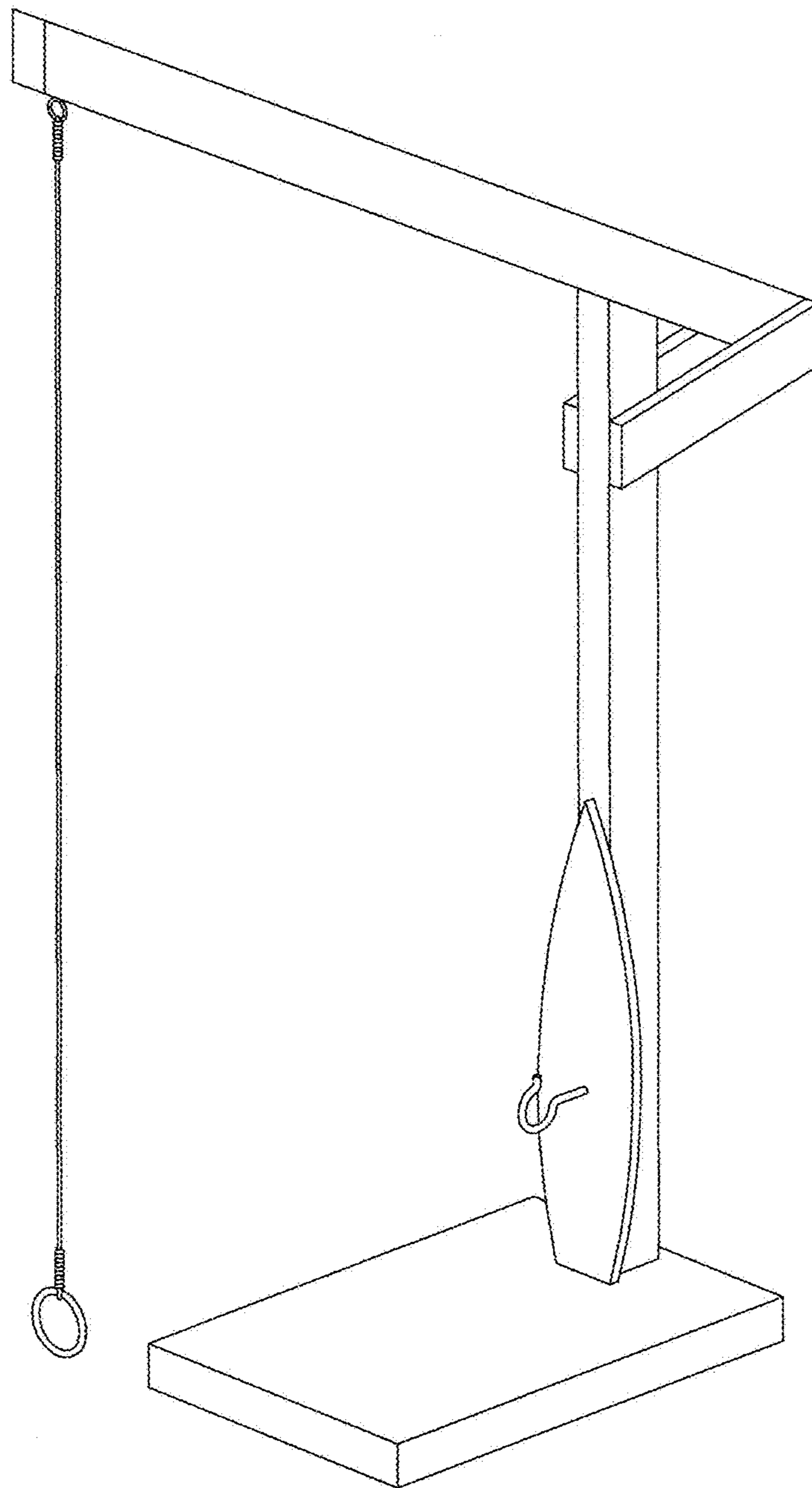


FIG. 2

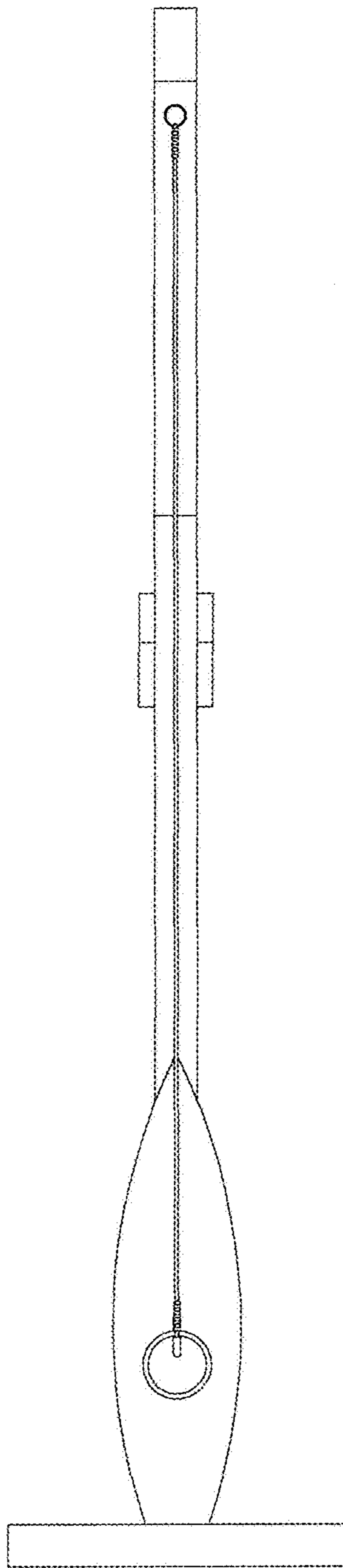


FIG.3

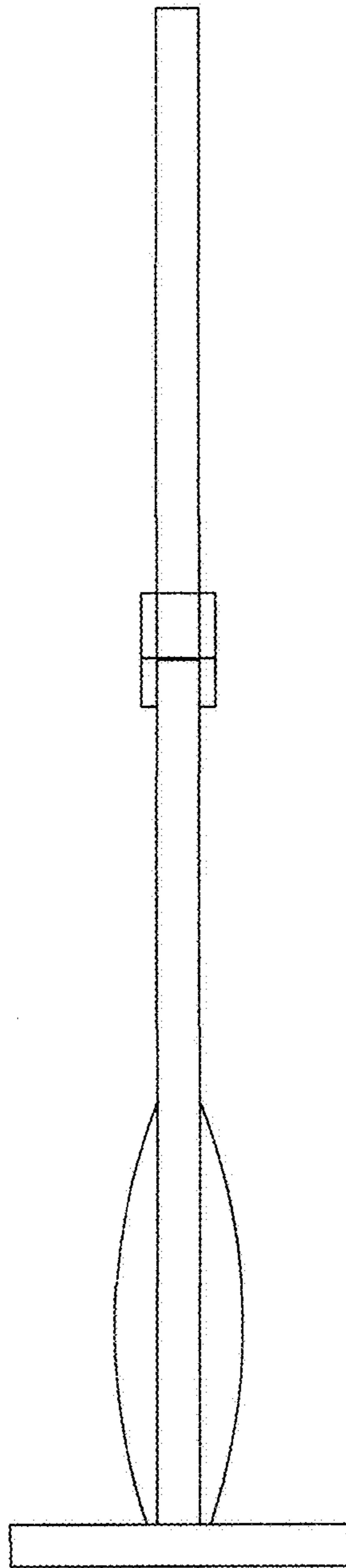


FIG.4

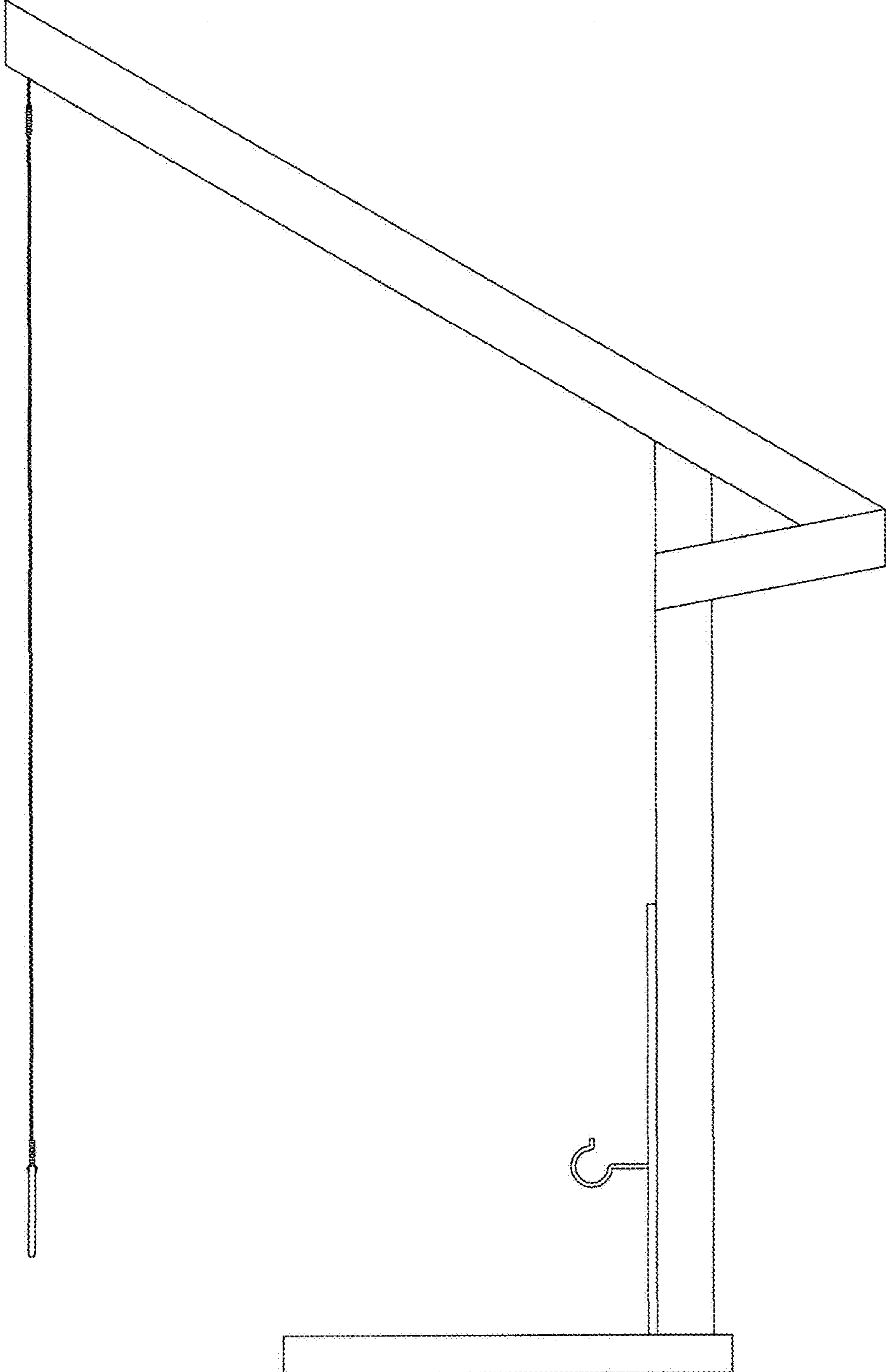


FIG.5

