



US00D954825S

(12) **United States Design Patent** (10) **Patent No.:** **US D954,825 S**  
**Dhirmalani** (45) **Date of Patent:** **\*\* Jun. 14, 2022**

- (54) **BALL TARGET** 4,415,154 A \* 11/1983 Engelhardt ..... A63B 69/0097  
473/456
- (71) Applicant: **Intersell Ventures, LLC**, Secaucus, NJ (US) 4,842,283 A 6/1989 Lebel et al.  
D303,824 S 10/1989 Maloney, II  
D326,211 S \* 5/1992 Allen ..... D7/552.1  
5,364,132 A \* 11/1994 Haas ..... G04F 1/00  
283/67
- (72) Inventor: **Anand A. Dhirmalani**, Secaucus, NJ (US) 5,628,515 A 5/1997 Levy  
5,888,153 A 3/1999 Masin
- (73) Assignee: **Intersell Ventures, LLC**, Secaucus, NJ (US) (Continued)

(\*\*) Term: **15 Years**

(21) Appl. No.: **29/717,388**

(22) Filed: **Dec. 17, 2019**

(51) **LOC (13) Cl.** ..... **21-01**

(52) **U.S. Cl.**  
USPC ..... **D21/302**

(58) **Field of Classification Search**  
 USPC ..... D21/300, 302, 303, 304, 305, 306, 307,  
 D21/310, 312, 314, 315, 316, 317, 318,  
 D21/319, 334, 336, 337, 356, 358, 365,  
 D21/698, 699, 703, 707, 708, 716, 788,  
 D21/789, 790, 791, 792; D10/104.1;  
 D24/233, 224; D20/27, 40, 41, 42, 43;  
 D7/698; D3/40, 247, 319; D14/138 G,  
 D14/341, 371, 447  
 CPC . A63B 21/0084; A63B 69/002; A63B 63/003;  
 A63B 63/004; A63B 2209/08  
 See application file for complete search history.

(56) **References Cited**

**U.S. PATENT DOCUMENTS**

- 2,170,850 A \* 8/1939 Bonnett ..... F41J 3/0038  
273/403
- 2,506,475 A \* 5/1950 Traub ..... F41J 5/048  
273/373
- 2,899,204 A 8/1959 Ratay
- 3,197,208 A 7/1965 Makar
- D246,476 S \* 11/1977 McGuire ..... D21/302

**OTHER PUBLICATIONS**

“Kickerball breakaway target” posted Sep. 1, 2020 [Online],[retrieved Dec. 29, 2021]. Retrieved from Internet: <https://www.amazon.com/Kickerball-Breakaway-Targets-Magnetic-Attachment/dp/B08H5S9D6B>.\*

*Primary Examiner* — Mehri F Bajoul  
(74) *Attorney, Agent, or Firm* — Kaplan Breyer Schwarz, LLP

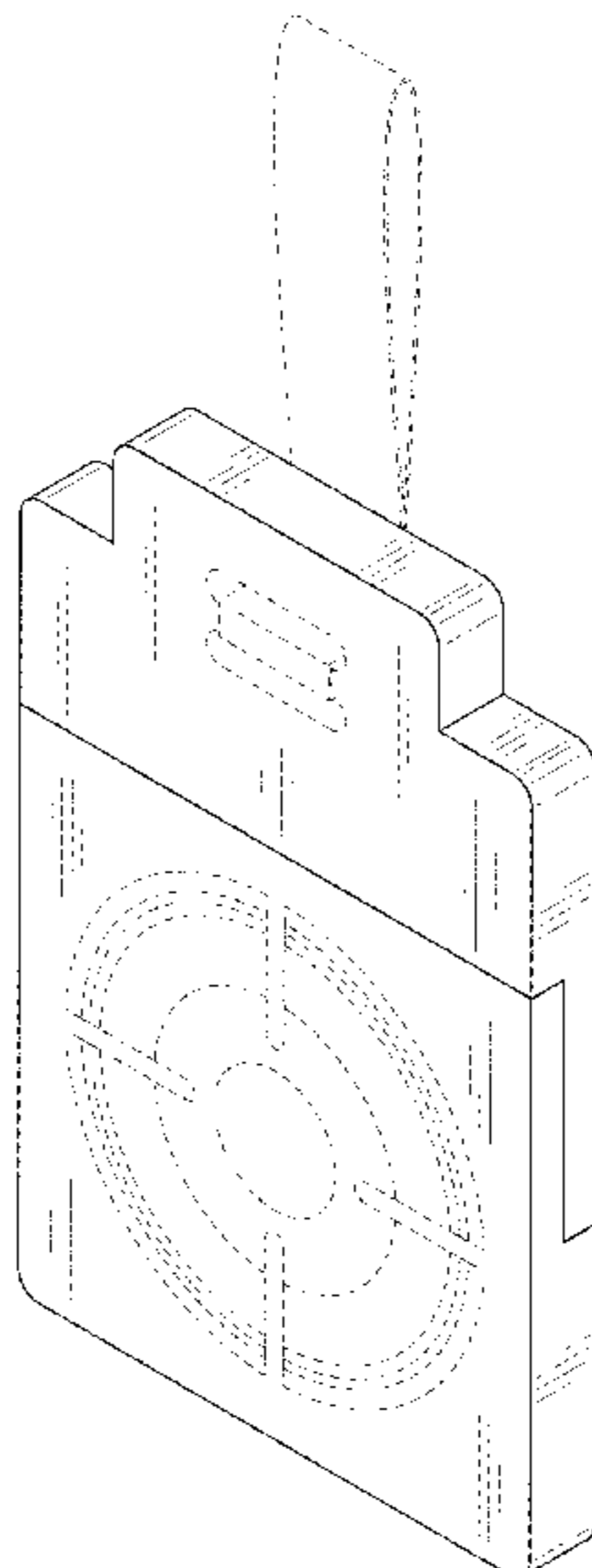
(57) **CLAIM**

The ornamental design for the ball target, as shown and described.

**DESCRIPTION**

FIG. 1 is an isometric view of a ball target showing my new design;  
 FIG. 2 is a front elevation view of the ball target of FIG. 1;  
 FIG. 3 is a rear elevation view of the ball target of FIG. 1;  
 FIG. 4 is a left side elevation view of the ball target of FIG. 1;  
 FIG. 5 is a right side elevation view of the ball target of FIG. 1;  
 FIG. 6 is a top, plan view of the ball target of FIG. 1; and,  
 FIG. 7 is a bottom, plan view of the ball target of FIG. 1.  
 The features shown in broken lines in the drawing depict portions of the design that form no part of the claimed design.

**1 Claim, 5 Drawing Sheets**



(56)

References Cited

U.S. PATENT DOCUMENTS

D412,860 S *	8/1999	Maher	D10/104.1	D823,395 S *	7/2018	McWilliam	D20/27
D422,234 S *	4/2000	Artuz, Jr.	D10/104.1	D870,315 S *	12/2019	Wahlqvist	D24/224
D448,422 S *	9/2001	Fredriksson	D20/22	D876,546 S *	2/2020	Grundstrom	D20/42
6,402,641 B1	6/2002	Lee		D880,260 S *	4/2020	Hamilton	D7/698
D502,031 S *	2/2005	Cassidy	D20/40	D881,897 S *	4/2020	Taylor	D14/447
7,134,976 B1	11/2006	Smith		D882,357 S *	4/2020	Zhang	D7/698
D597,428 S *	8/2009	Sato	D10/104.1	D885,758 S *	6/2020	Adelman	D3/247
D631,918 S *	2/2011	Peyser	D20/22	10,702,740 B2 *	7/2020	Tarkington	A63B 21/0407
8,371,965 B2 *	2/2013	Quinn	A63B 63/083	D893,047 S *	8/2020	Wahlqvist	D24/224
			473/487	D903,617 S *	12/2020	Yi	D14/138 G
D686,047 S *	7/2013	Oh	D7/698	D910,624 S *	2/2021	Hudgins	D14/371
D697,772 S *	1/2014	Joseph	D7/698	D910,750 S *	2/2021	Hsian	D19/113
D708,804 S *	7/2014	Piro	D32/40	D917,618 S *	4/2021	Nazzaro	D20/22
9,010,032 B2 *	4/2015	Scaramucci	A63B 21/16	D922,161 S *	6/2021	Wu	D7/698
			52/36.4	D922,230 S *	6/2021	Lan	D10/104.1
D733,922 S *	7/2015	Sjolander	D24/233	11,045,703 B2 *	6/2021	Martino	A63B 63/004
D736,321 S *	8/2015	Shadle	D21/302	D927,598 S *	8/2021	Hudgins	D21/302
D745,345 S *	12/2015	Joseph	D7/698	D931,275 S *	9/2021	Huff	D14/341
9,248,363 B1 *	2/2016	Christianson	A63B 67/14	2008/0190784 A1 *	8/2008	Phillips	G06K 19/07345
D750,709 S *	3/2016	Shvarts	D20/27				206/39
D750,992 S *	3/2016	Perez	D10/104.1	2009/0100731 A1 *	4/2009	Elvin	A45C 13/42
9,457,249 B2	10/2016	Goldberg					40/655
D773,328 S *	12/2016	DeLeon	D10/104.1	2009/0176603 A1	7/2009	Prince	
D787,593 S *	5/2017	Robins	D19/113	2011/0031139 A1 *	2/2011	Macor	G06K 19/04
9,652,909 B1 *	5/2017	McWilliam	G09F 3/185				206/232
D803,640 S *	11/2017	Grimm	D7/698	2011/0121512 A1 *	5/2011	Walker, Jr.	A63B 69/0086
							273/333
				2018/0318689 A1 *	11/2018	Shelton	A63B 63/06
				2021/0178238 A1 *	6/2021	Dhirmalani	A63B 63/003

\* cited by examiner

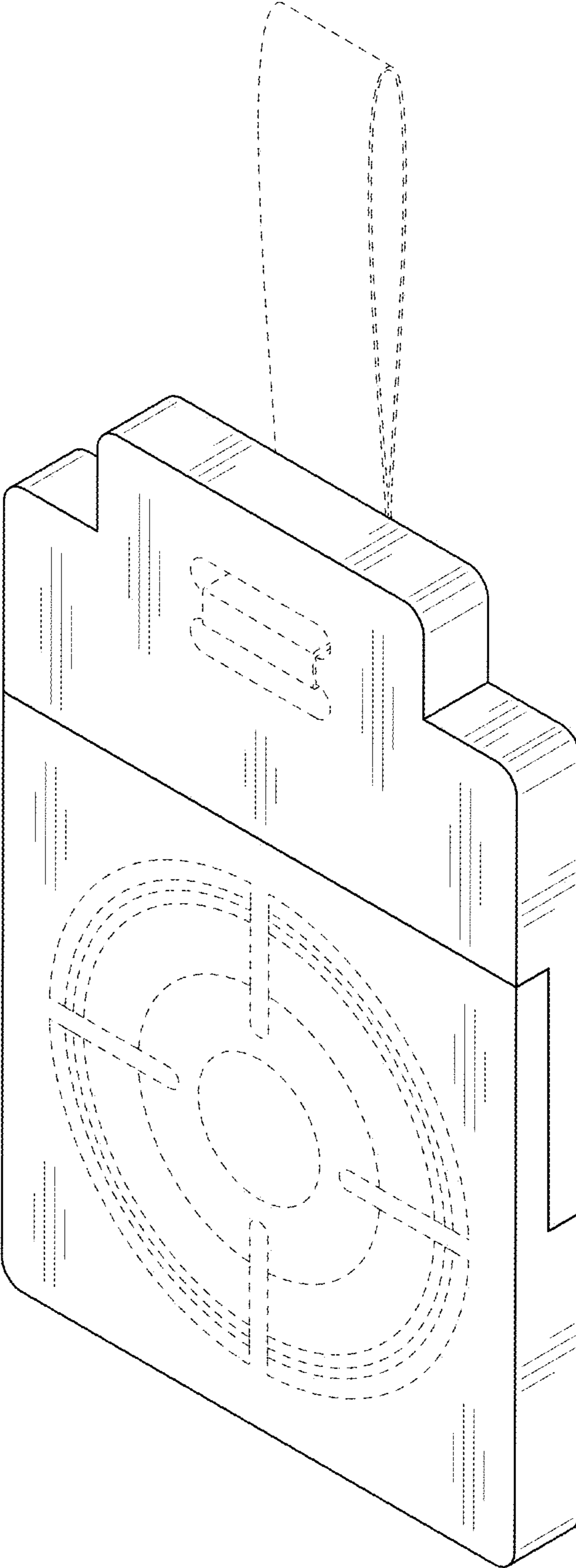


FIG. 1

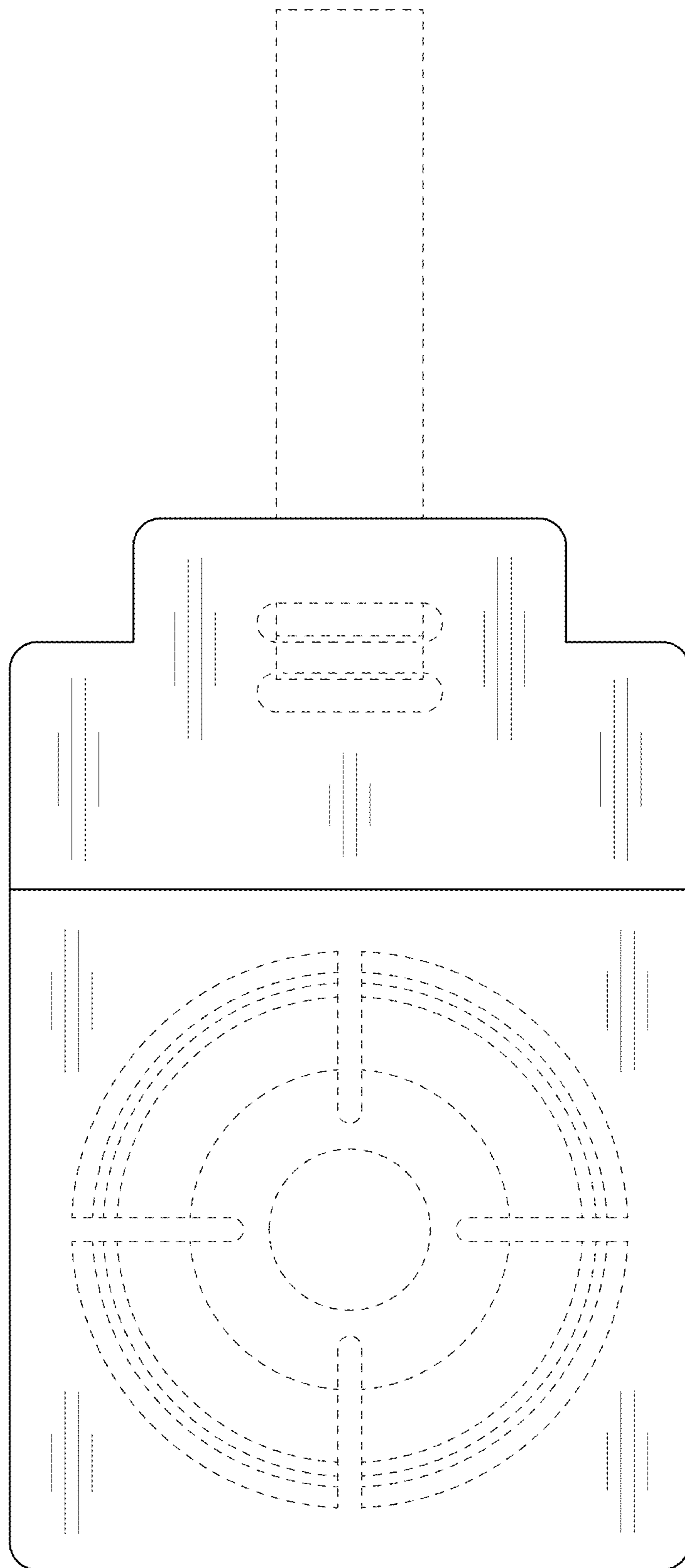


FIG. 2

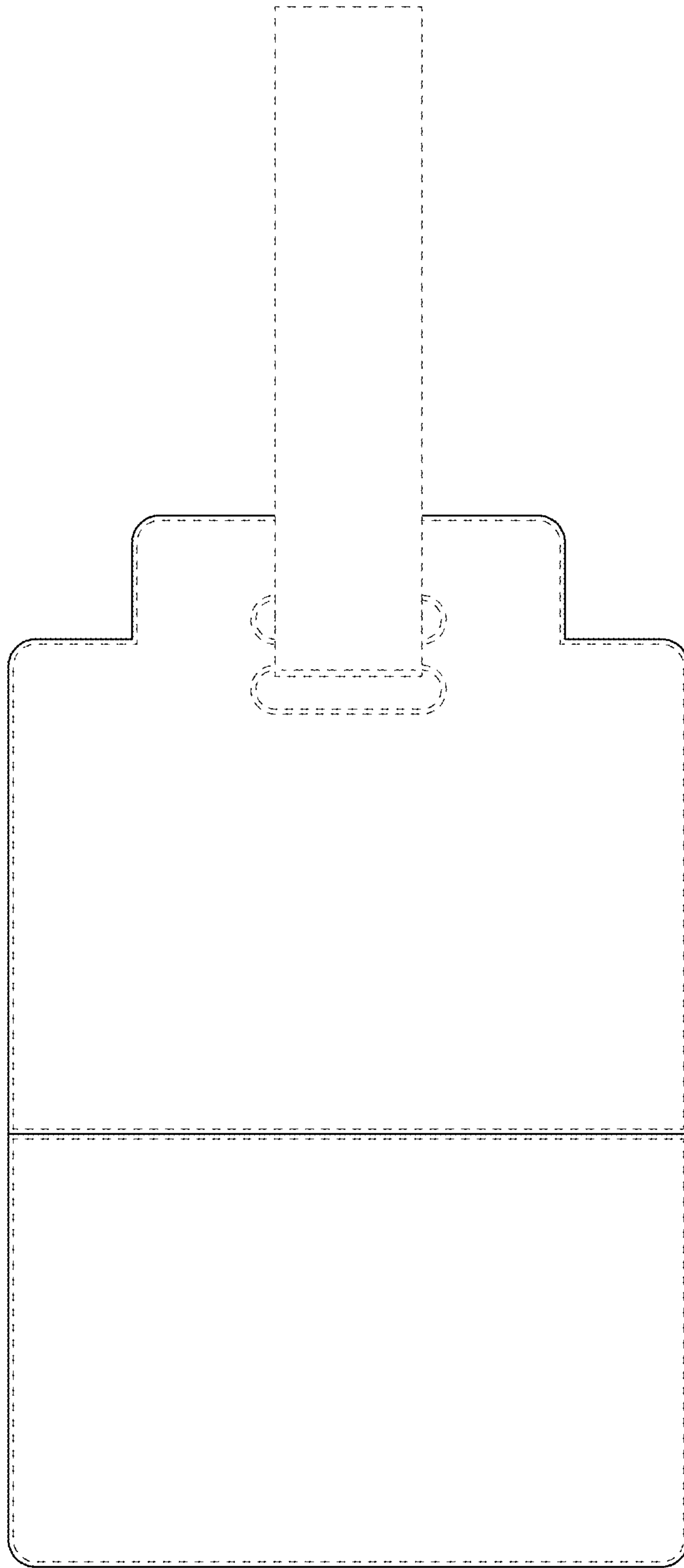


FIG. 3

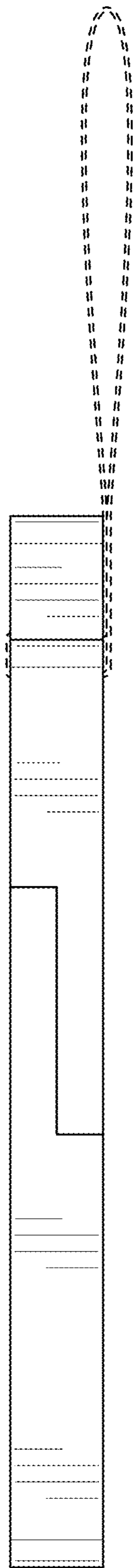


FIG. 4

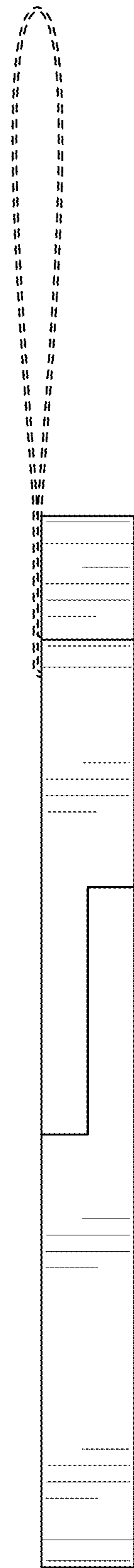


FIG. 5

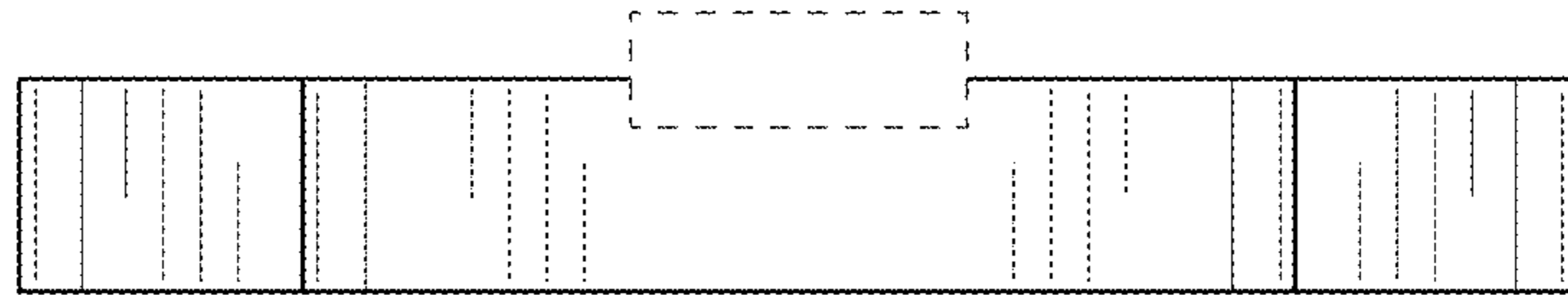


FIG. 6



FIG. 7