



US00D954823S

(12) **United States Design Patent**  
**Steinberg**

(10) **Patent No.:** **US D954,823 S**

(45) **Date of Patent:** **\*\* Jun. 14, 2022**

(54) **FOLDABLE POCKET CHART**

(71) Applicant: **PDX Reading Specialist, LLC**, West Linn, OR (US)

(72) Inventor: **Jeffrey Scott Steinberg**, West Linn, OR (US)

(73) Assignee: **PDX Reading Specialist, LLC**, West Linn, OR (US)

(\*\*) Term: **15 Years**

(21) Appl. No.: **29/735,388**

(22) Filed: **May 20, 2020**

(51) **LOC (13) Cl.** ..... **19-06**

(52) **U.S. Cl.**  
USPC ..... **D19/113; D3/276**

(58) **Field of Classification Search**  
USPC ..... D3/274, 276, 285, 289, 290, 306, 313,  
D3/203.1, 203.6, 205, 226, 230, 232, 242,  
D3/245, 246, 267, 268, 273, 275, 283,  
D3/284, 286, 287, 288, 294, 295, 301,  
D3/303, 900, 901, 903, 201, 218, 240,  
(Continued)

(56) **References Cited**

**U.S. PATENT DOCUMENTS**

1,479,423 A \* 1/1924 Barton ..... G09B 1/06  
434/172  
2,832,350 A \* 4/1958 Houghton ..... B42F 19/00  
40/124.4

(Continued)

**FOREIGN PATENT DOCUMENTS**

EM 000038658-0001 \* 9/2003  
GB 2037212 \* 6/1995

(Continued)

**OTHER PUBLICATIONS**

Youtube.com, Site visited Dec. 9, 2021, "Desktop Pocket Chart, Stand and Magnetic Dry Erase Board—Really Good Stuff," uploaded by Really Good Stuff on Apr. 29, 2011, <https://www.youtube.com/watch?v=4aDwfJRcQks> (Year: 2011).\*

(Continued)

*Primary Examiner* — Brett Miller  
*Assistant Examiner* — Jessica M Gebhart

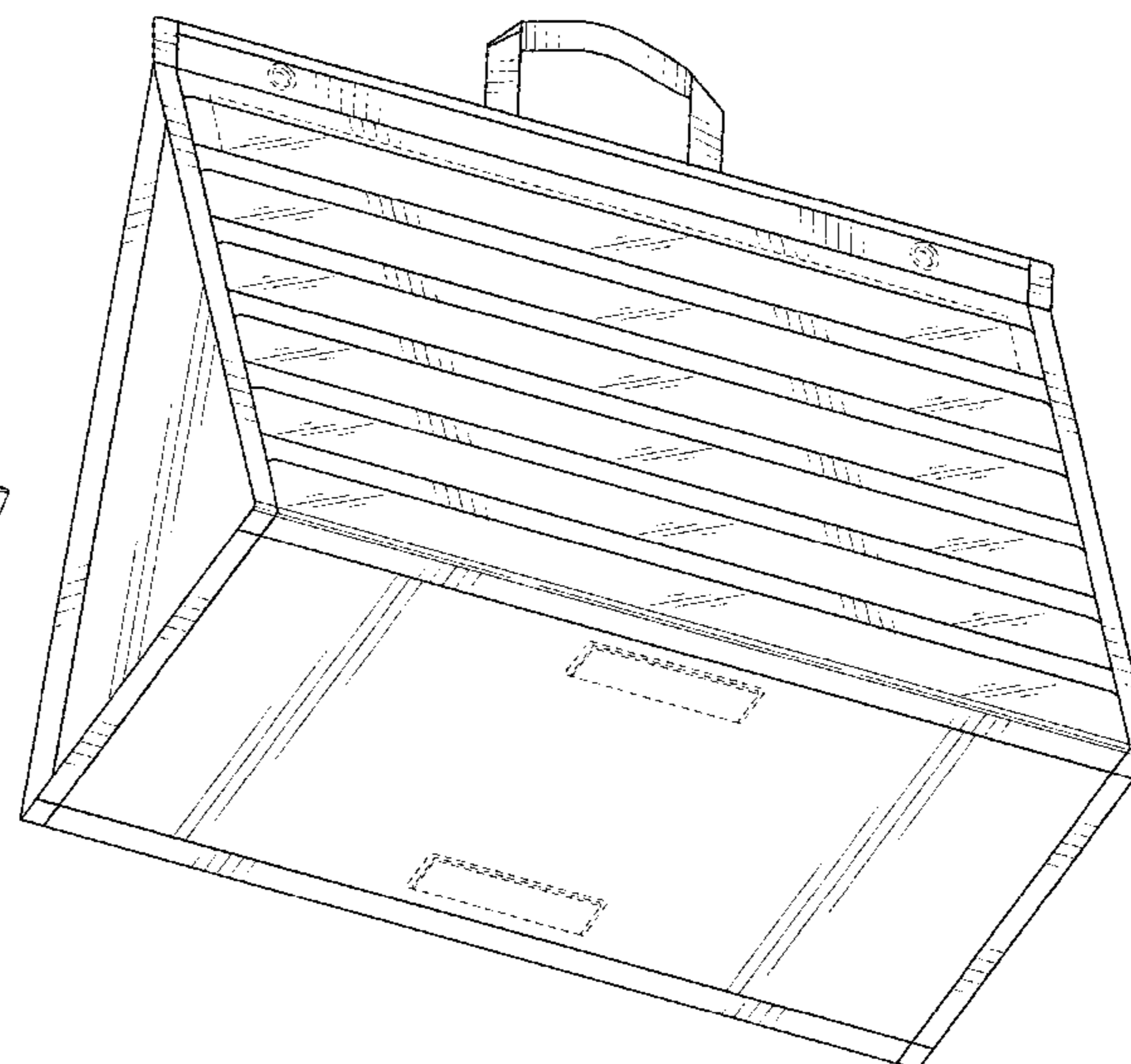
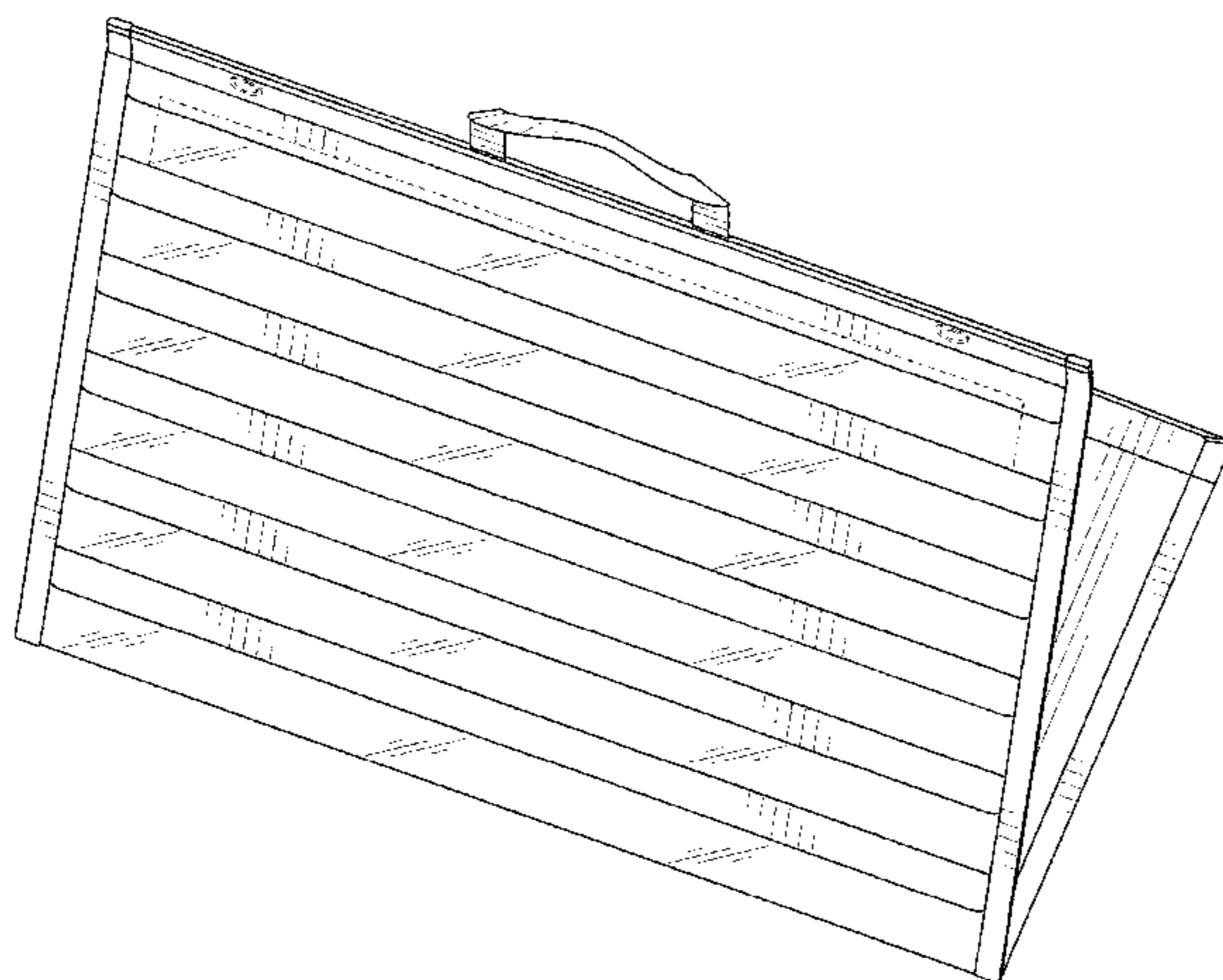
(57) **CLAIM**

The ornamental design for a foldable pocket chart, as shown and described.

**DESCRIPTION**

FIG. 1 is a top perspective view of a foldable pocket chart in an expanded configuration showing my design; FIG. 2 is a bottom perspective view thereof; FIG. 3 is a front elevational view thereof; FIG. 4 is a rear elevational view thereof; FIG. 5 is a left side elevational view thereof; FIG. 6 is a right side elevational view thereof; FIG. 7 is a top plan view thereof; FIG. 8 is a bottom plan view thereof; FIG. 9 is a top perspective view of the foldable pocket chart in a collapsed configuration showing my design; FIG. 10 is a bottom perspective view thereof; FIG. 11 is a front elevational view thereof; FIG. 12 is a left side elevational view thereof, wherein the right side elevational view being a mirror image; FIG. 13 is a top plan view thereof; FIG. 14 is a bottom plan view thereof; and, FIG. 15 is a rear elevational view thereof, wherein the rear elevational view being a mirror image. The broken line showing the foldable pocket chart in FIG. 1-4 and FIG. 7-8 are included for the purpose of showing environmental structure of cards and fasteners and form no part of the claimed design.

**1 Claim, 15 Drawing Sheets**



(58) **Field of Classification Search**

USPC ..... D3/270, 271.9, 221, 215, 222, 228, 251,  
 D3/296, 247; D7/607, 609; D27/172,  
 D27/183, 186, 190, 191; D28/73, 76, 99;  
 D9/420, 709; D19/26, 57, 62, 113, 157  
 CPC .... A45C 1/02; A45C 3/00; A45C 3/02; A45C  
 3/04; A45C 3/06; A45C 3/004; A45C  
 5/00; A45C 5/03; A45C 5/04; A45C 5/08;  
 B42D 5/005; B65D 81/02; B65D 81/022;  
 B65D 83/02; B65D 85/00; B65D 85/08;  
 B65D 85/10; B65D 85/12; B65D 85/14;  
 B65D 25/08; G09B 1/06

See application file for complete search history.

2008/0178507 A1\* 7/2008 Dean-McLeod ..... G09F 1/10  
 40/661  
 2010/0101129 A1\* 4/2010 Smith ..... G09B 19/18  
 40/606.01  
 2010/0236111 A1\* 9/2010 Cheetwood ..... G09F 7/10  
 40/124  
 2020/0342794 A1\* 10/2020 Dalton ..... G09F 15/0018

**FOREIGN PATENT DOCUMENTS**

GB	2069916	*	2/1998
JP	D1437683	*	4/2012
JP	D1507193	*	9/2014

**OTHER PUBLICATIONS**

Amazon.com, Site visited Dec. 9, 2021, Blue Tabletop Desktop Pocket Chart by SpriteGru, First Available Apr. 10, 2017, <https://www.amazon.com/dp/B074QJTB9J> (Year: 2017).\*

Amazon.com, Site visited Dec. 9, 2021, VNOM Small Pocket Chart, First Available Nov. 21, 2017, <https://www.amazon.com/dp/B077MYTHFG> (Year: 2017).\*

Amazon.com, Site visited Dec. 9, 2021, Small Double Sided Table Top Pocket Chart by Essex Wares, First Available Dec. 3, 2017, <https://www.amazon.com/Small-Double-Sided-Table-Pocket/dp/B0785DGHSV> (Year: 2017).\*

Amazon.com, Site visited Dec. 9, 2021, Wiwaplex Double Sided Desktop Pocket Chart, First Available Dec. 28, 2018, <https://www.amazon.com/dp/B07MDKCN28> (Year: 2018).\*

Large Double Sided Table Top Pocket Chart by Essex Wares, Retrieved from Amazon, Retrieved on Dec. 3, 2019 <URL: <https://www.amazon.com/Large-Double-Sided-Table-Pocket/dp/B077X3X7JX>>.

Mini Pocket Chart, Retrieved from Amazon, Retrieved on Dec. 3, 2019 <URL: <https://www.amazon.com/Scholastic-Teachers-Friend-Multiple-TF5117/dp/0545301599>>.

\* cited by examiner

(56) **References Cited**

**U.S. PATENT DOCUMENTS**

D252,758 S *	8/1979	Prall	.....	D19/114
D365,121 S *	12/1995	Krawitz	.....	D19/113
5,836,445 A *	11/1998	Provonchee	.....	B65D 75/58 206/221
6,012,717 A *	1/2000	Love	.....	A63F 1/10 273/148 A
6,270,049 B1 *	8/2001	Olvey	.....	A47B 23/044 248/441.1
D456,453 S	4/2002	McCravy		
D569,912 S	5/2008	Fleming		
7,441,358 B1 *	10/2008	Ngan	.....	G09F 1/10 281/33
D635,191 S *	3/2011	Cheetwood	.....	D19/91
D648,793 S *	11/2011	Nash	.....	D19/113
D873,674 S *	1/2020	Yu	.....	D9/709
D916,963 S *	4/2021	Park	.....	D19/113
2004/0130139 A1 *	7/2004	Reising	.....	B42D 3/126 281/33

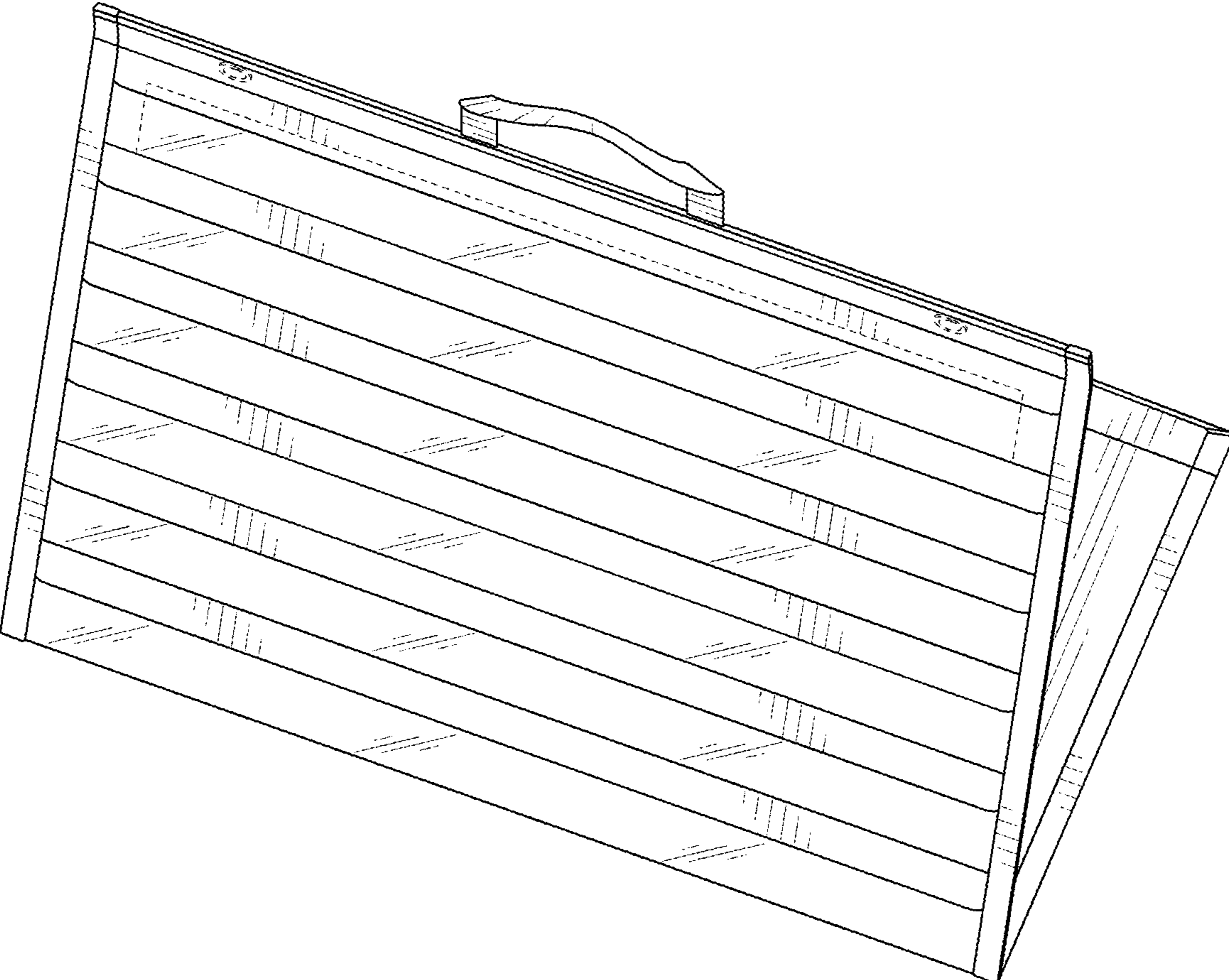


FIG. 1

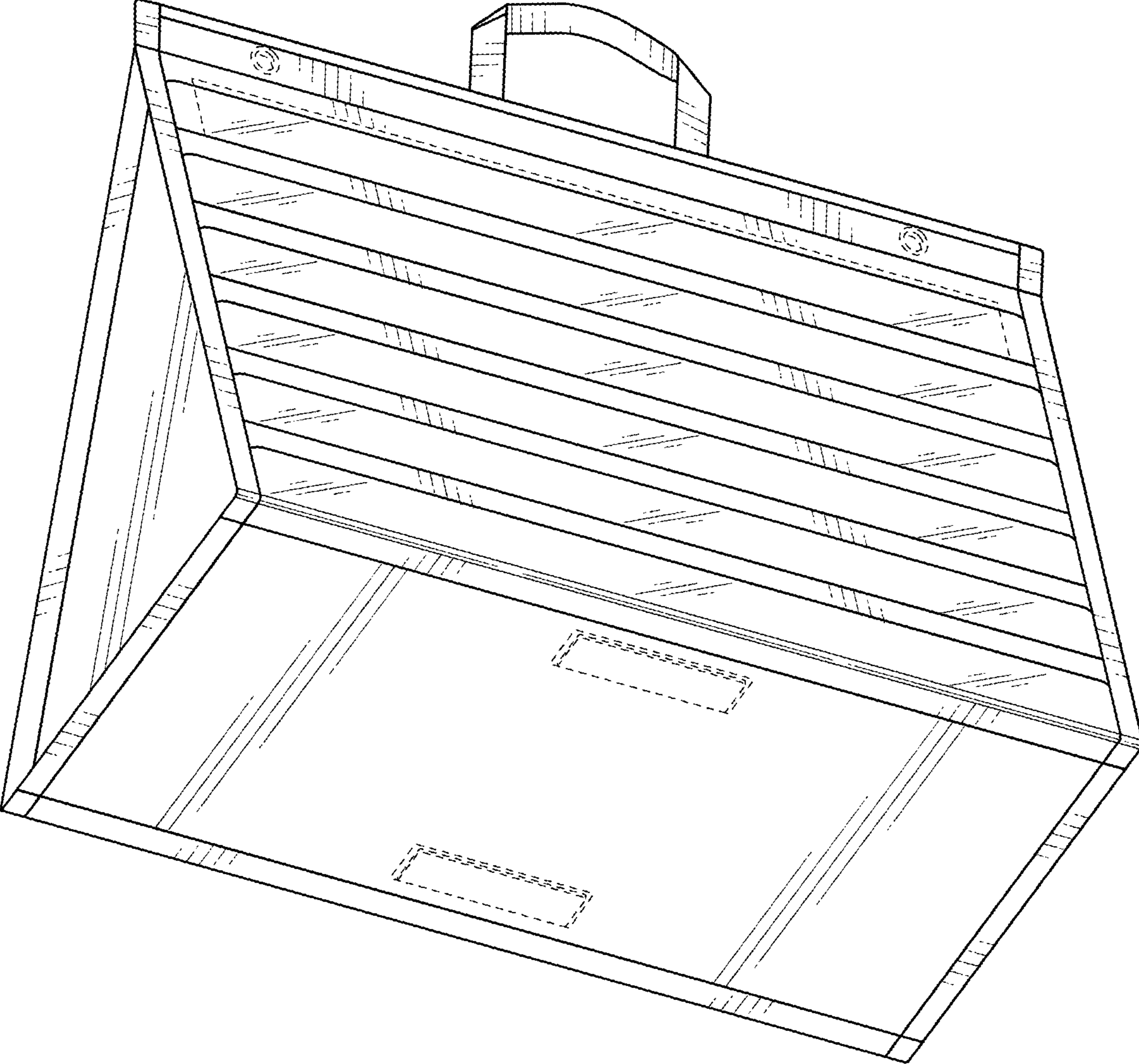


FIG. 2

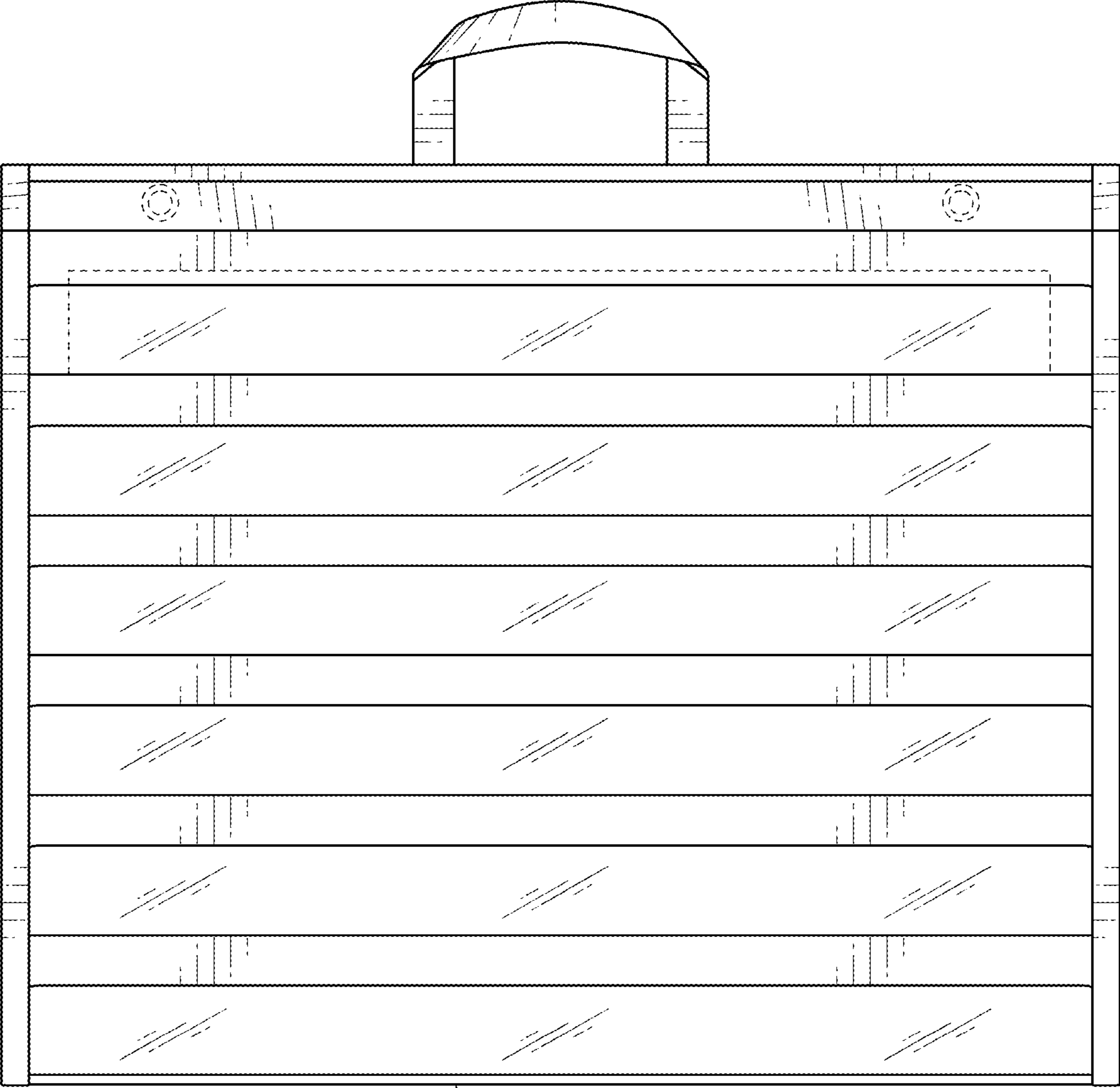


FIG. 3

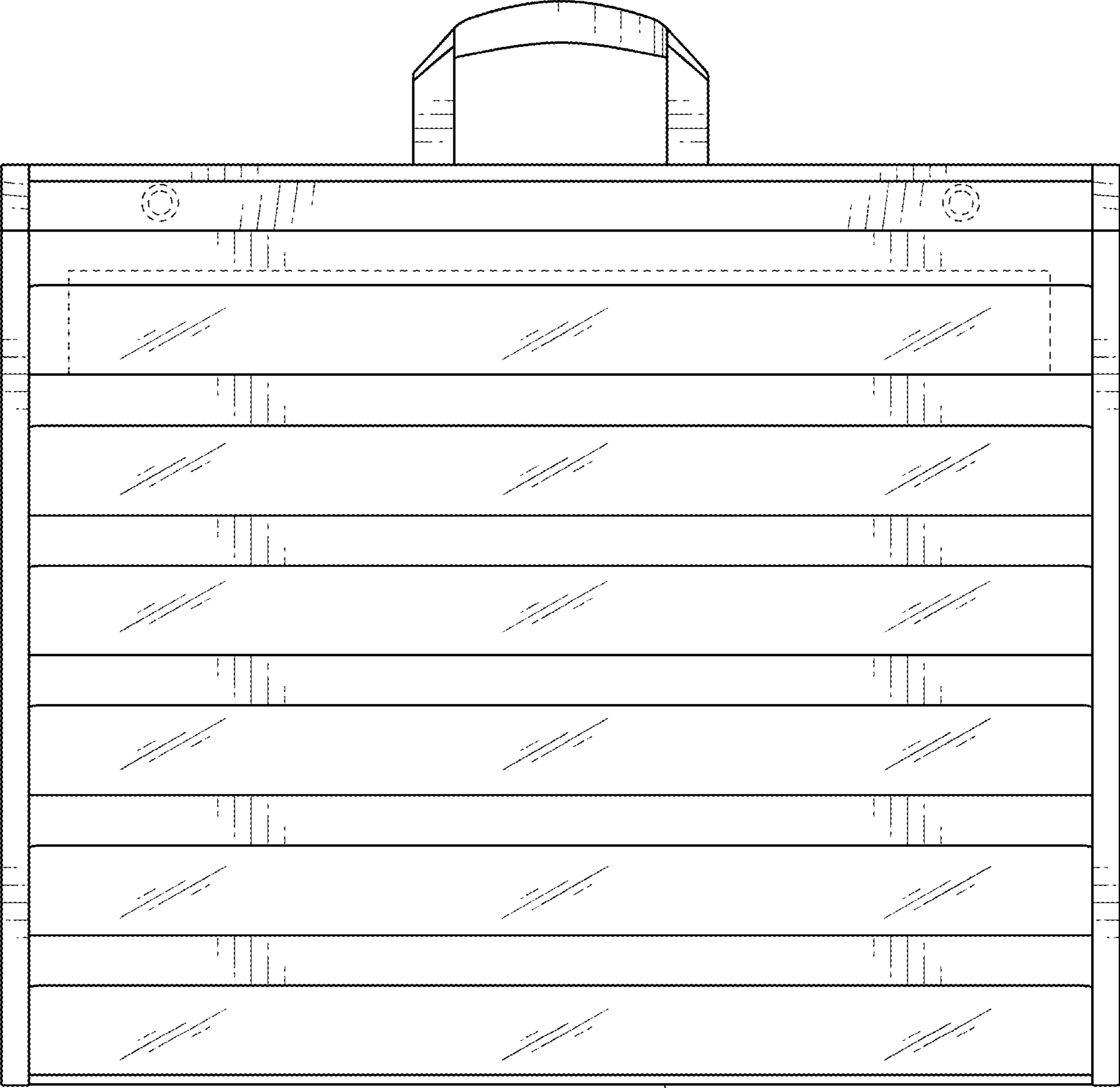


FIG. 4

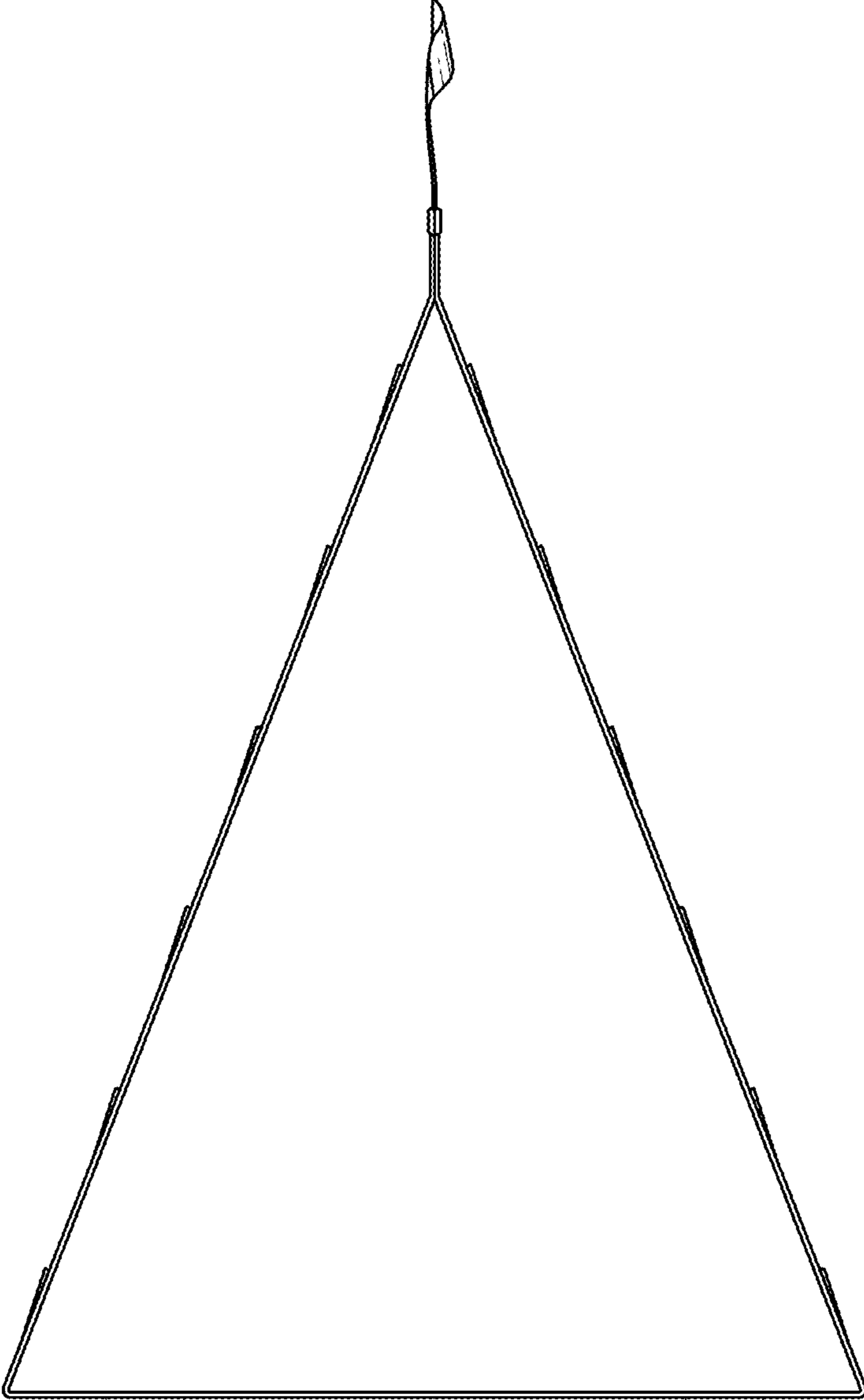


FIG. 5

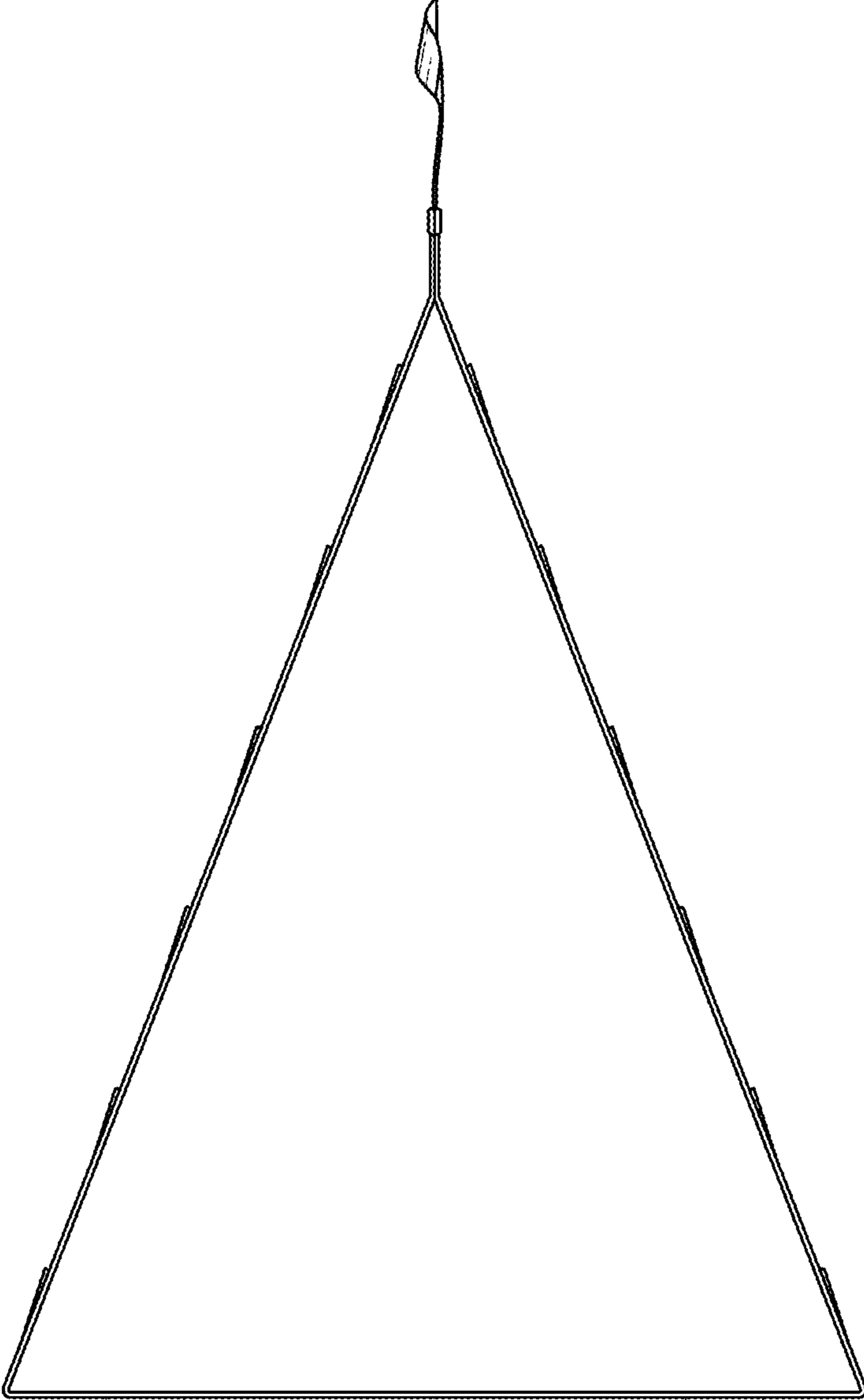


FIG. 6



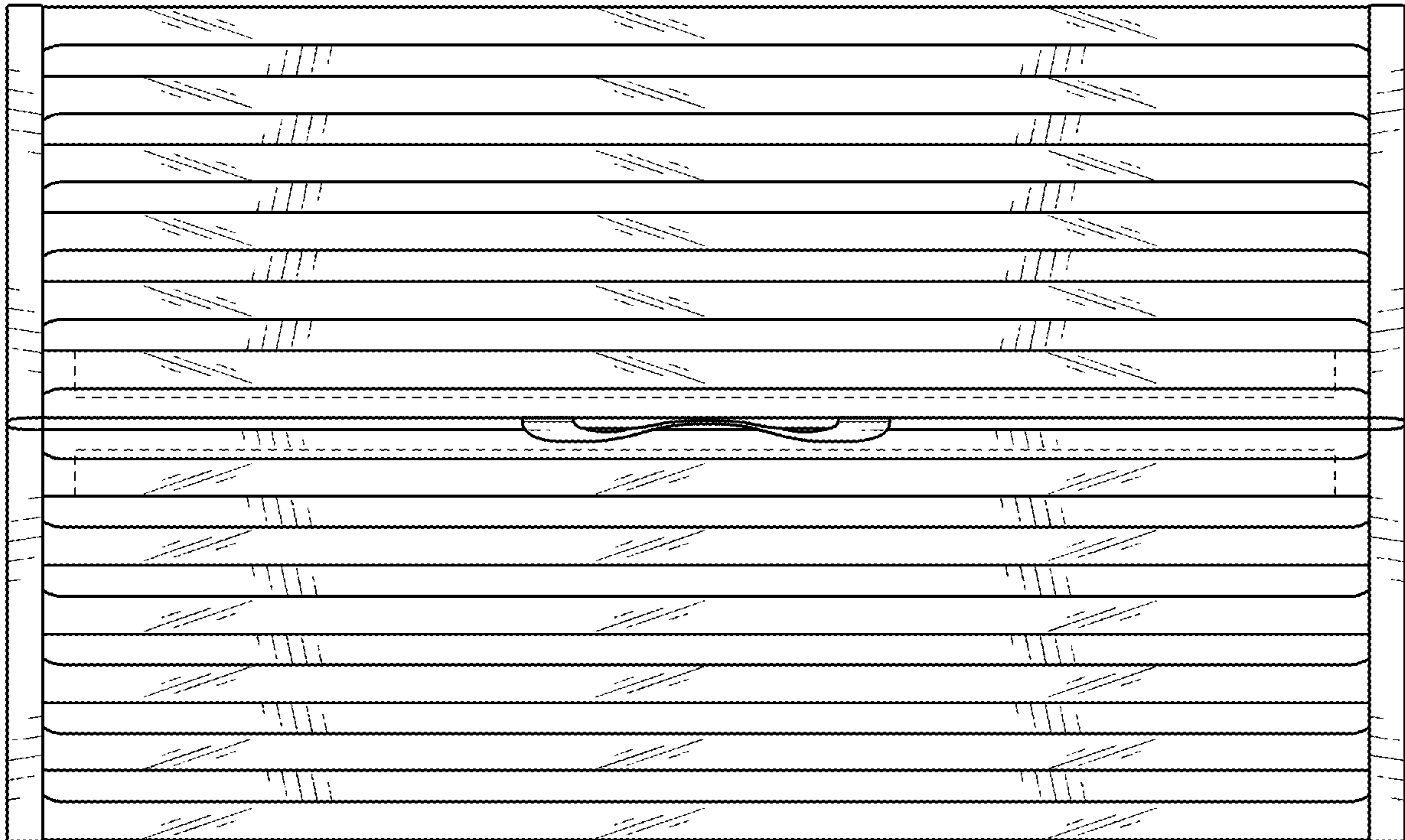


FIG. 7

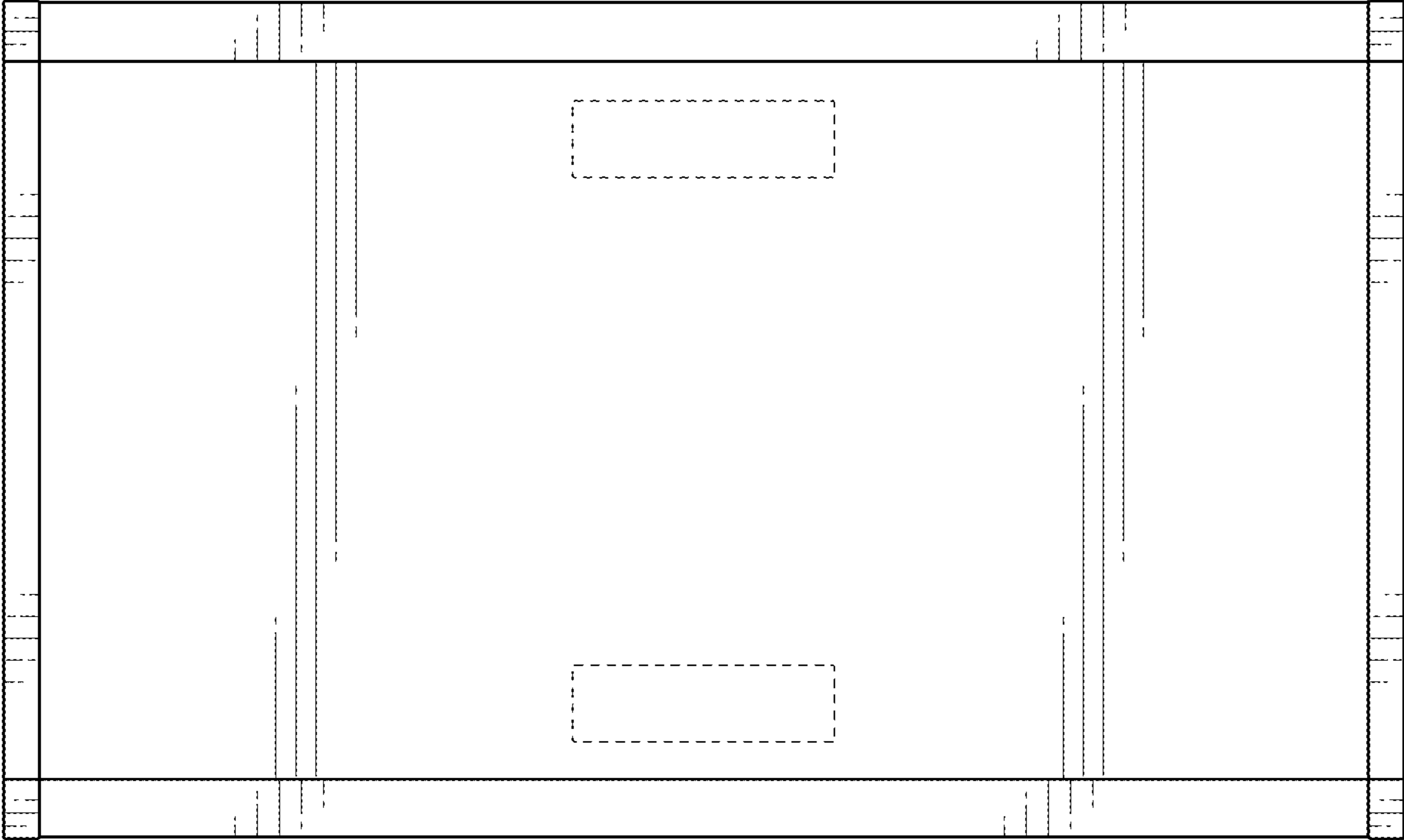


FIG. 8

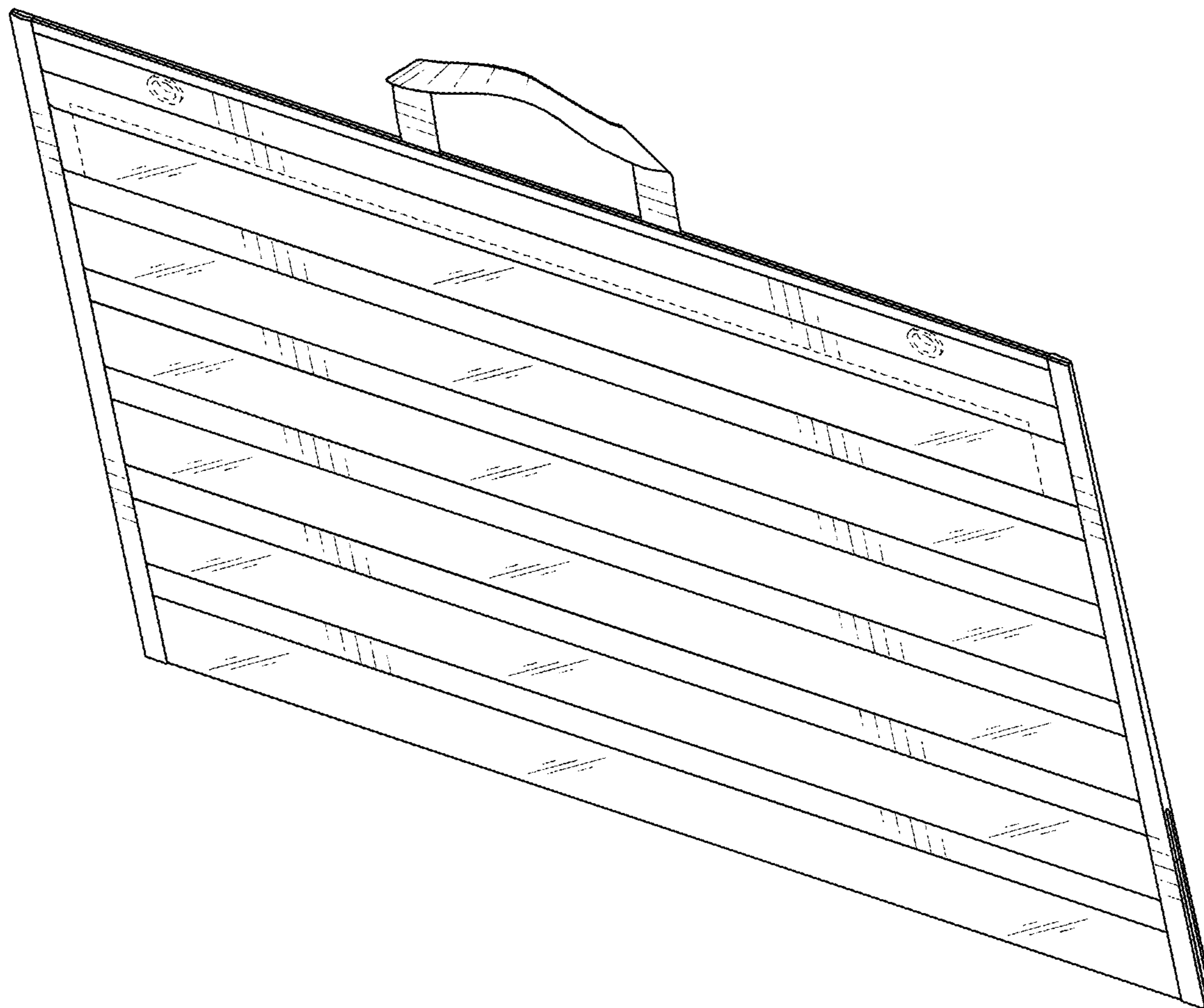


FIG. 9

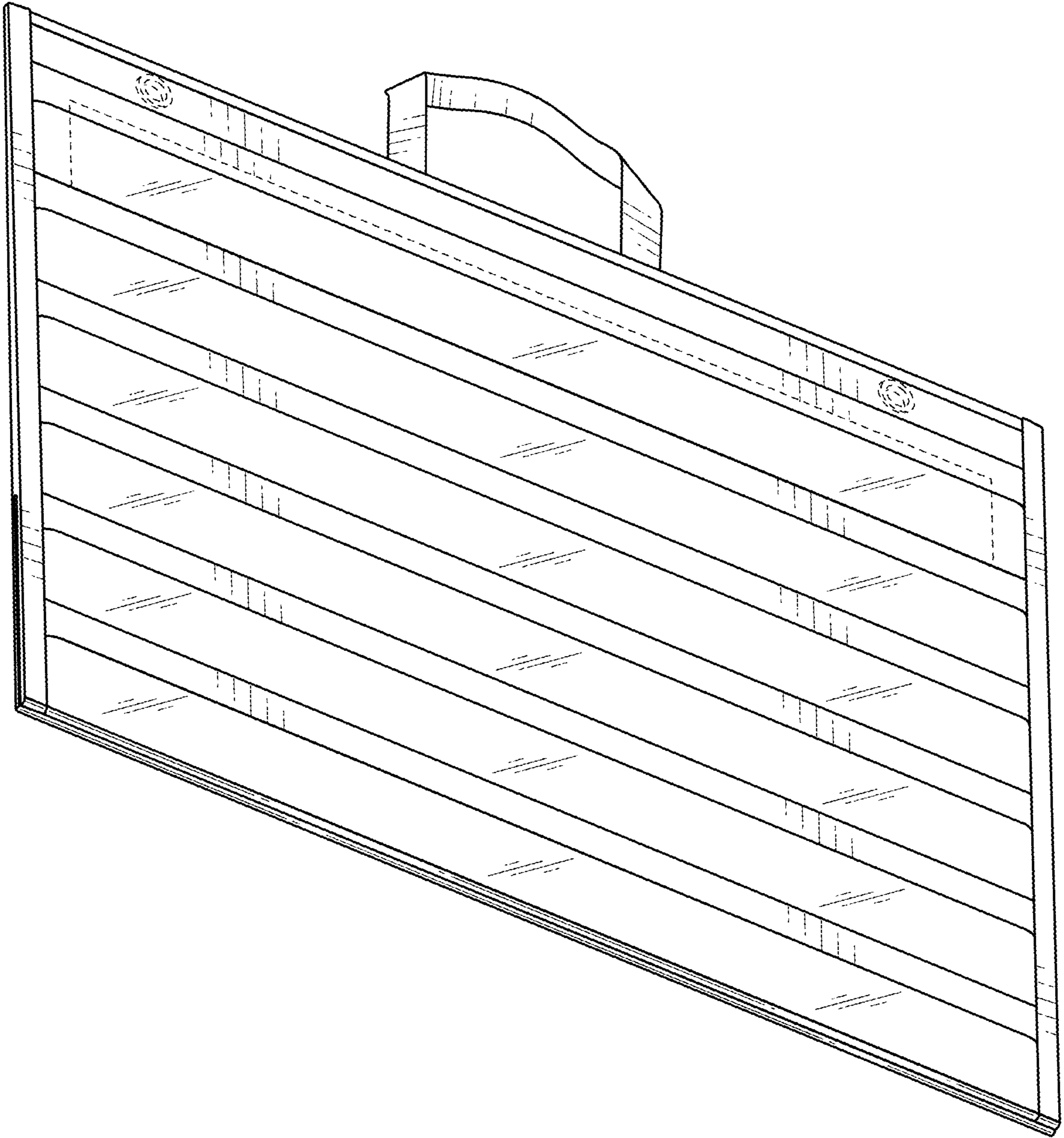


FIG. 10

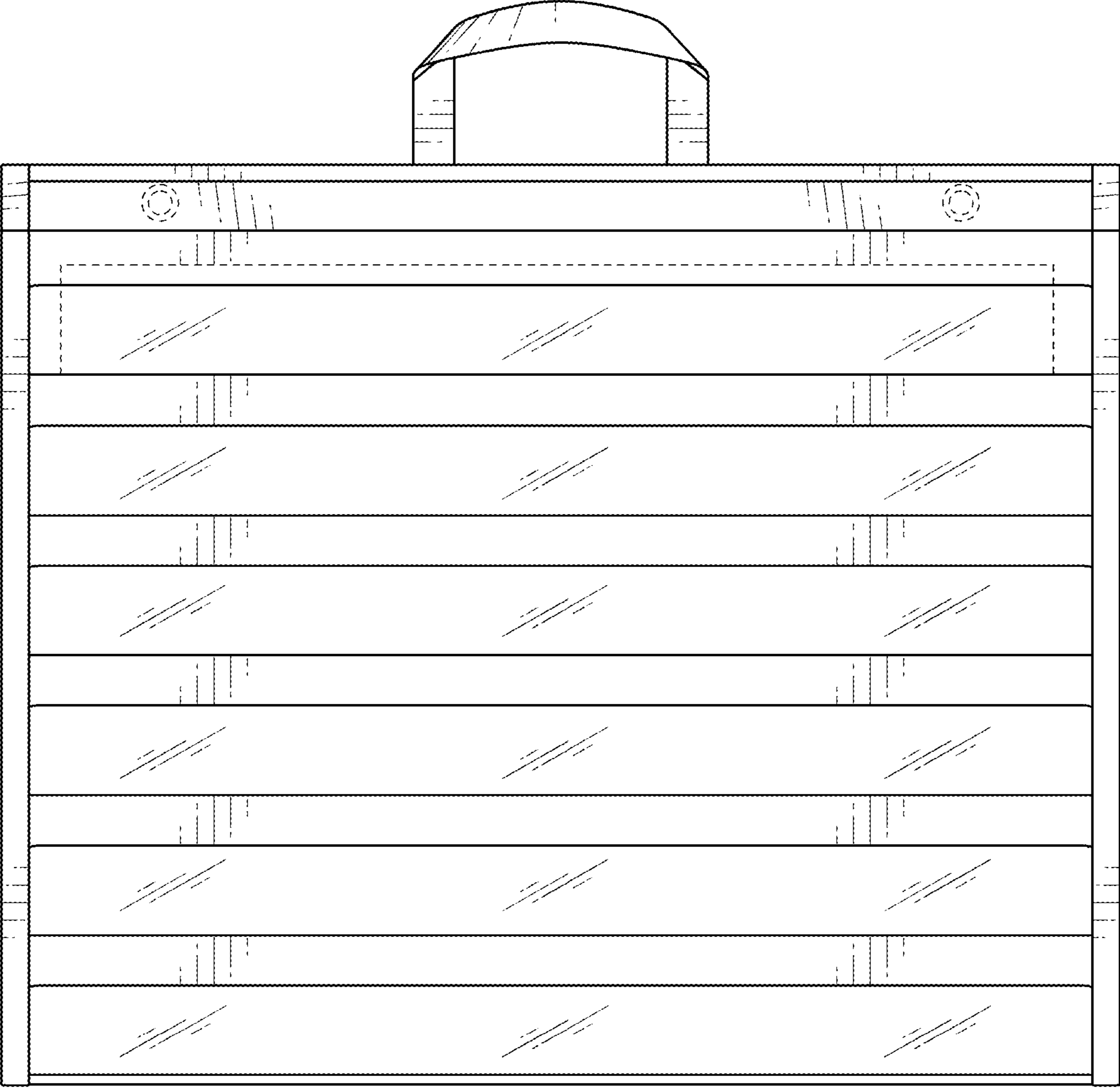


FIG. 11



FIG. 12



FIG. 13

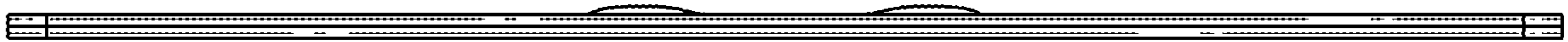


FIG. 14



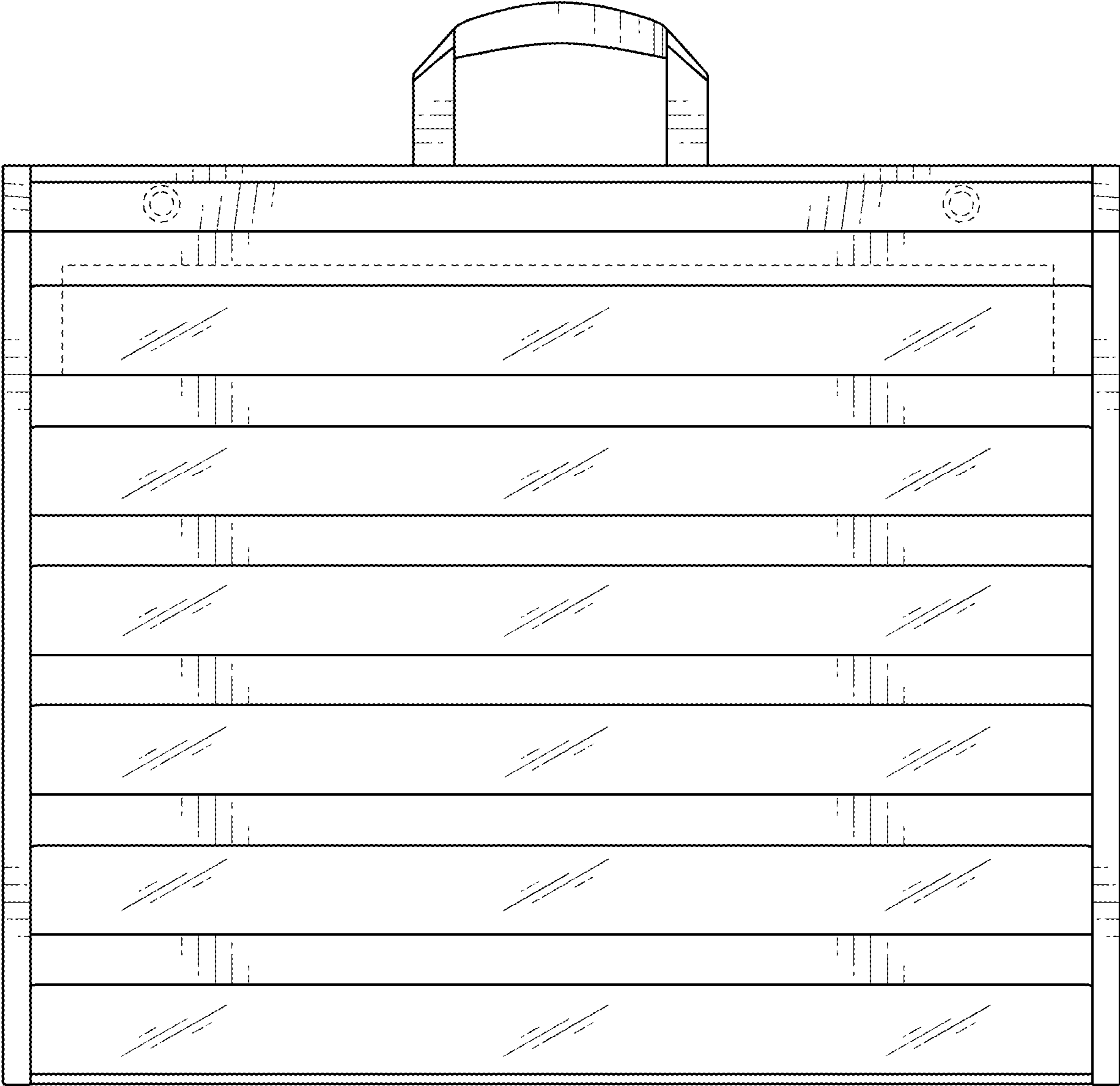


FIG. 15