



US00D954819S

(12) **United States Design Patent** (10) **Patent No.:** **US D954,819 S**
Sulawa et al. (45) **Date of Patent:** **** Jun. 14, 2022**

(54) **DRUM BEATER**

OTHER PUBLICATIONS

(71) Applicant: **MONOLIT S.C Wladyslaw Sulawa, Mieczyslaw Susz, Wroclaw (PL)**

Amazon. https://www.amazon.com/Drum-Workshop-DWSM110-Control-Beater/dp/B011J65M56/ref=pd_sbs_1/137-9778894-3593002?pd_rd_w=Hzk3W&pf_rd_p=4b6b5072-e9bd-4f30-a3af-af5d52978ec&pf_rd_r=HHFC9582ASBV11AZKA1S&pd_rd_r=e8ddcf0a-39d1-4a96-be47-1162f302005f&pd_rd_wg=MVMm3&pd_rd_i=B011J65M56&th=1. “Drum Workshop Control Bass Drum Beater (DWSM110)”. Jul. 13, 2015 (Year: 2015).*

(72) Inventors: **Wladyslaw Sulawa, Swidnica (PL); Mieczyslaw Susz, Wroclaw (PL)**

Amazon. https://www.amazon.com/Trick-Pro-Bass-Drum-Beater/dp/B008870HUU/ref=pd_sbs_6/137-9778894-3593002?pd_rd_w=HRMqO&pf_rd_p=4b6b5072-e9bd-4f30-a3af-af5d52978ec&pf_rd_r=N7F4ENGM030JAWFG9XBQ&pd_rd_r=165a87c0-0dd1-403e-86b8-a573ecb4aa39&pd_rd_wg=QEbOb&pd_rd_i=B008870HUU&psc=1. “Trick Pro 1-V Bass Drum Beater”. Dec. 3, 2012 (Year: 2012).*

(73) Assignee: **MONOLIT S.C Wladyslaw Sulawa, Mieczyslaw Susz, Wroclaw (PL)**

(**) Term: **15 Years**

* cited by examiner

(21) Appl. No.: **29/766,714**

(22) Filed: **Jan. 18, 2021**

(51) **LOC (13) Cl.** **17-04**

(52) **U.S. Cl.**
USPC **D17/22**

(58) **Field of Classification Search**
USPC D17/22, 99; D21/405
CPC G10D 13/00; G10D 13/01; G10D 13/02;
G10D 13/03; G10D 13/10; G10D 13/11;
G10D 13/12; G10D 99/00

See application file for complete search history.

Primary Examiner — R. Johnson

(74) *Attorney, Agent, or Firm* — Myers Wolin, LLC

(57) **CLAIM**

The ornamental design for a drum beater, as shown and described.

DESCRIPTION

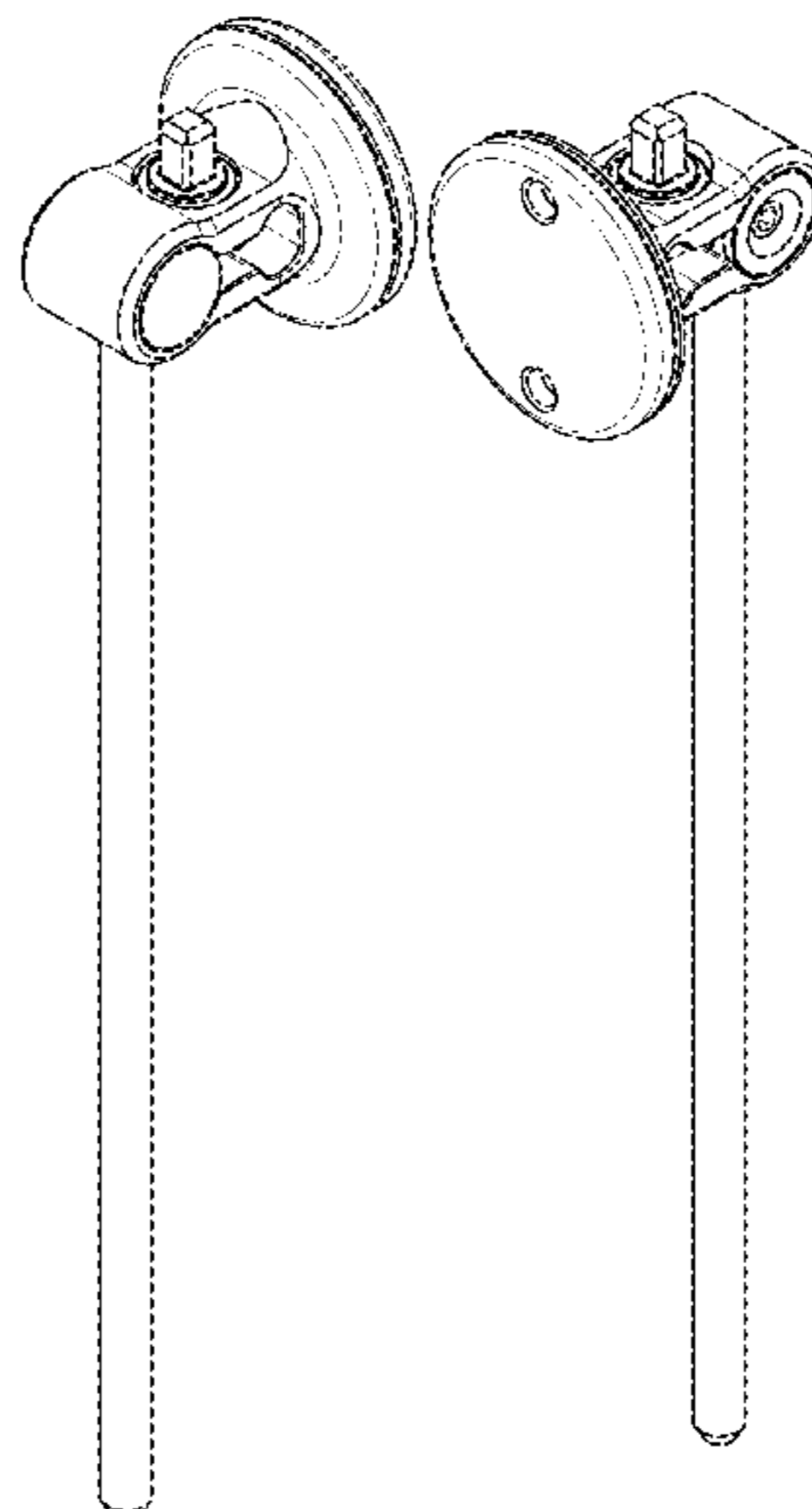
(56) **References Cited**

U.S. PATENT DOCUMENTS

4,023,461	A *	5/1977	Brandolino	G10D 13/12 84/422.4
D249,820	S *	10/1978	Clark	D17/22
5,817,962	A *	10/1998	Behrenfeld	G10D 13/12 84/422.4
6,011,208	A *	1/2000	Hoshino	G10D 13/11 84/422.1
7,297,852	B1 *	11/2007	Chen	G10D 13/11 84/422.1
8,624,097	B1 *	1/2014	Liao	G10D 13/11 84/422.1
10,937,400	B1 *	3/2021	Chu	G10D 13/02
2012/0240746	A1 *	9/2012	Steinhauser	G10D 13/11 84/422.1
2016/0196809	A1 *	7/2016	Chen	G10D 13/11 84/422.1

FIG. 1 is a rear, right, top isometric view of a drum beater showing our new design;
FIG. 2 is a rear, left, top isometric view thereof;
FIG. 3 is a left, front, top isometric view thereof;
FIG. 4 is a front, right isometric view thereof;
FIG. 5 is a rear, right, bottom isometric view thereof;
FIG. 6 is a rear, left, bottom isometric view thereof;
FIG. 7 is a left, front, bottom isometric view thereof;
FIG. 8 is a front, right, bottom isometric view thereof;
FIG. 9 is a left elevation view thereof;
FIG. 10 is a right elevation view thereof;
FIG. 11 is a top view thereof;
FIG. 12 is a bottom view thereof;
FIG. 13 is a front side elevation view thereof; and,
FIG. 14 is a rear side elevation view thereof.

1 Claim, 6 Drawing Sheets



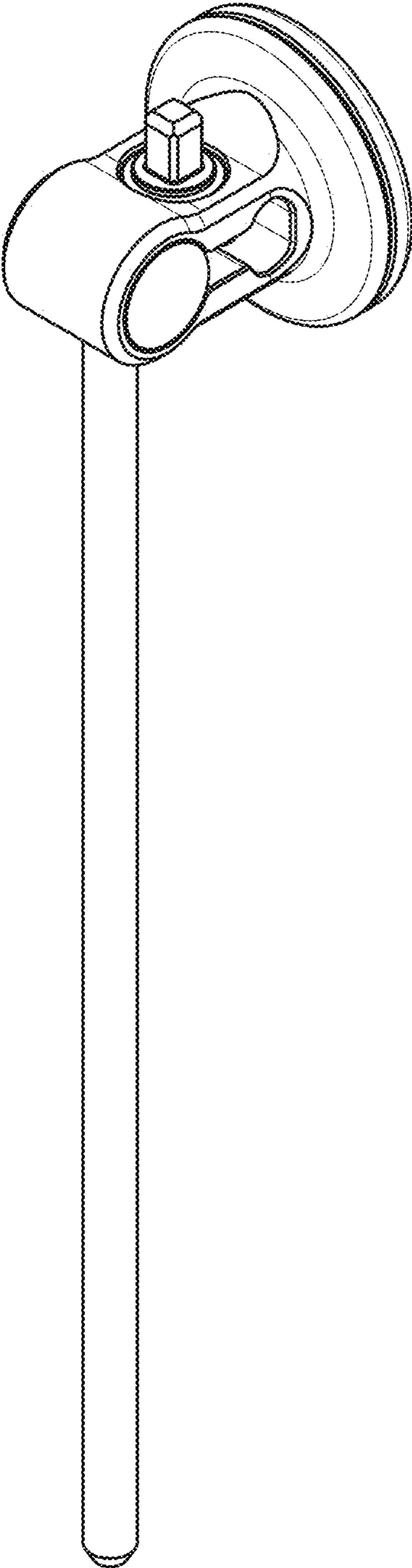


FIG. 1

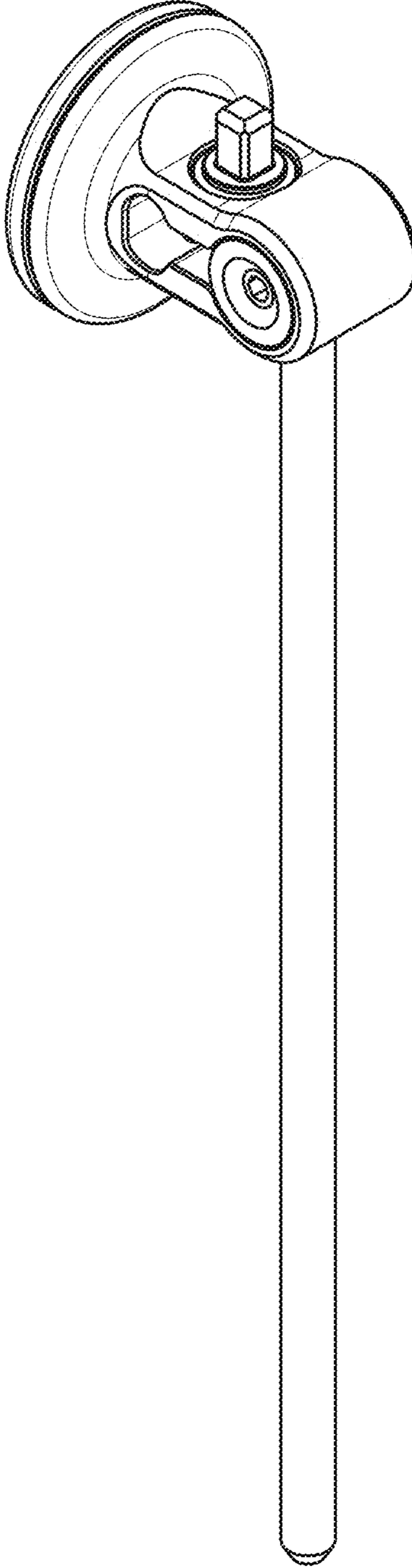


FIG. 2

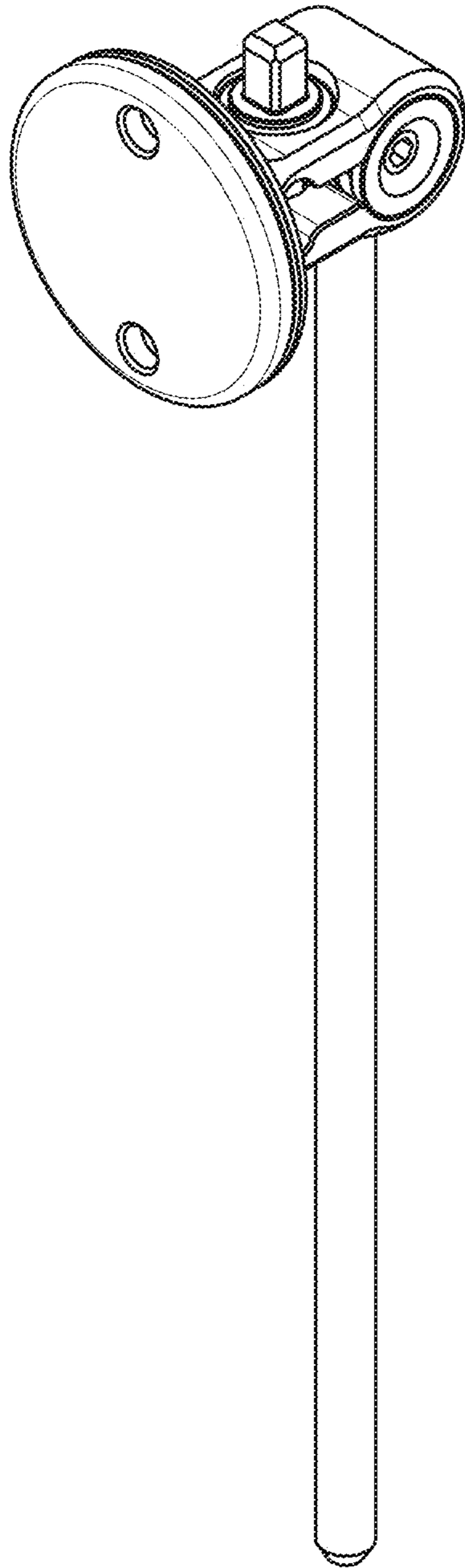


FIG. 3

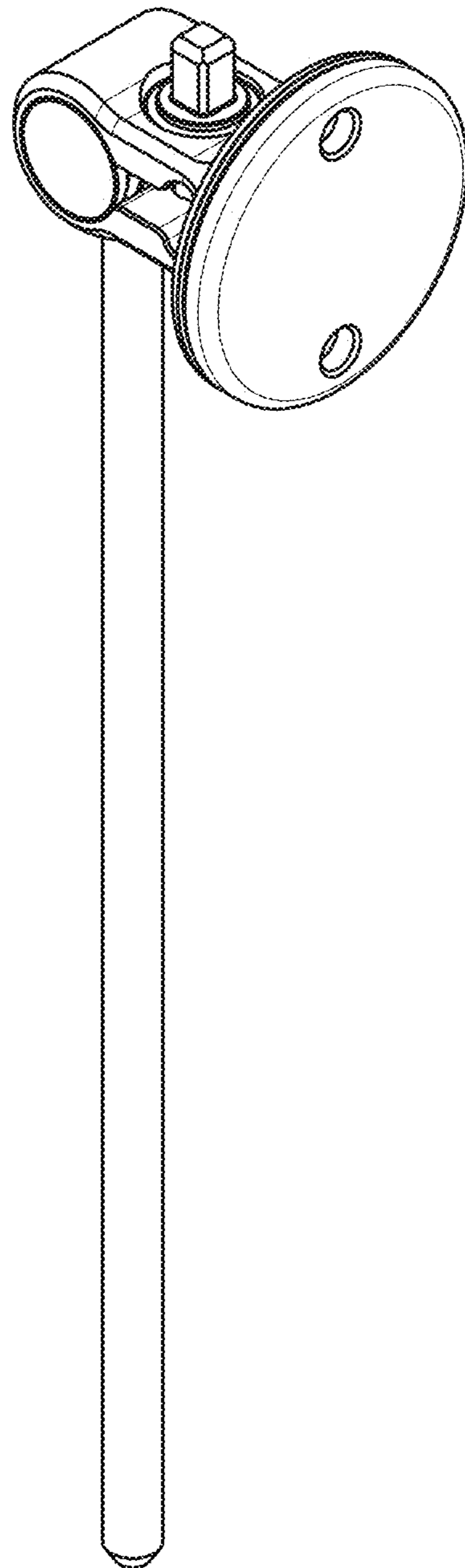


FIG. 4

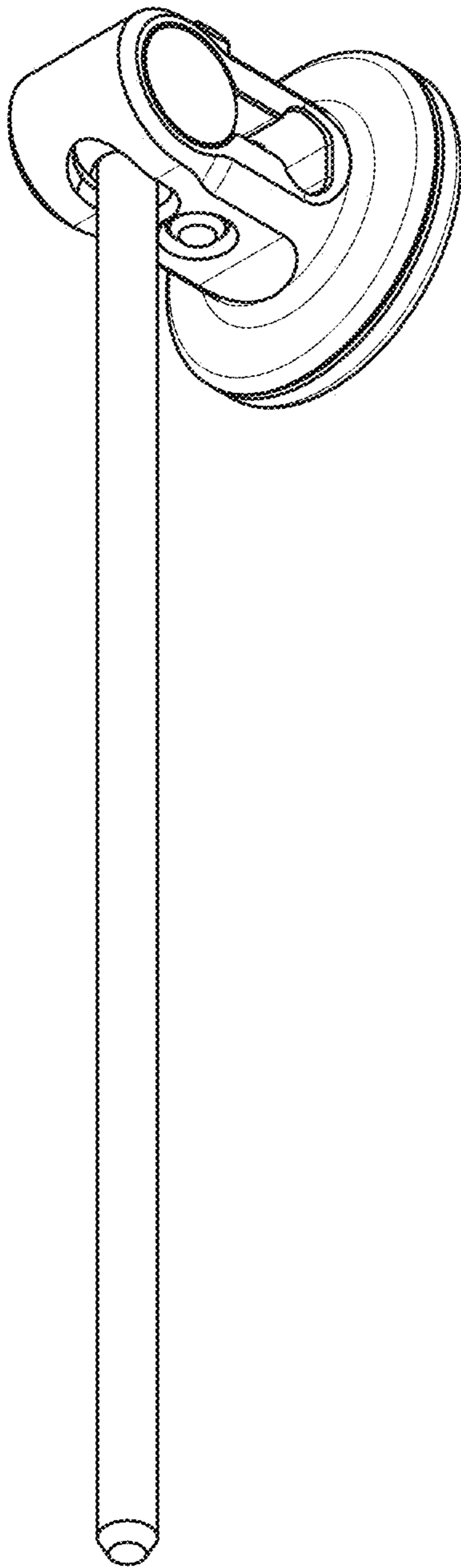


FIG. 5

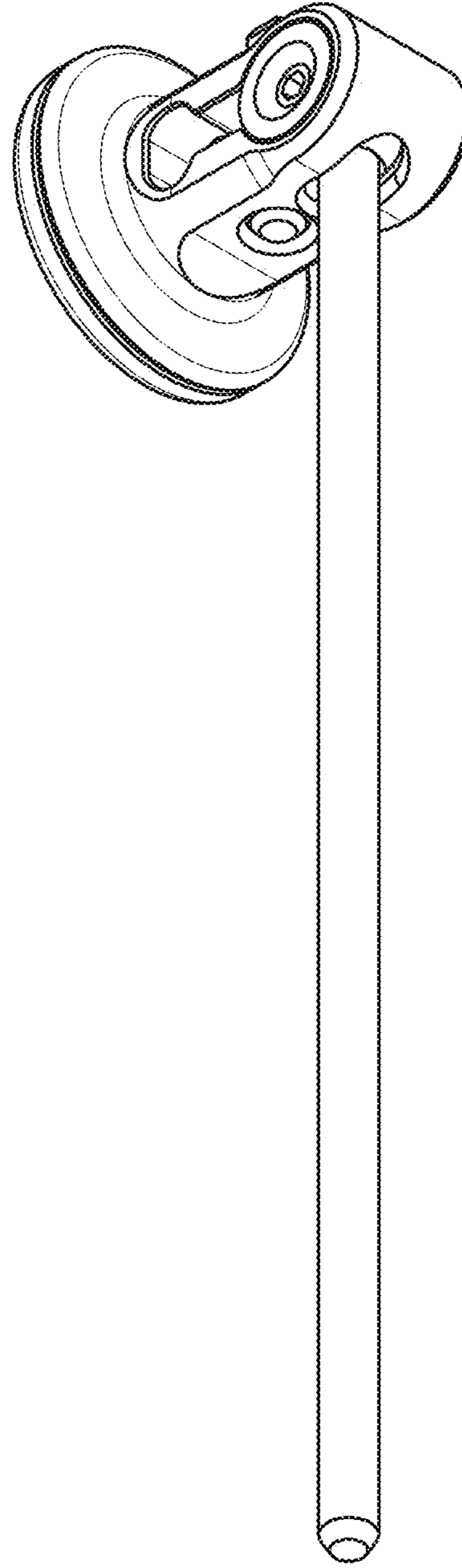


FIG. 6

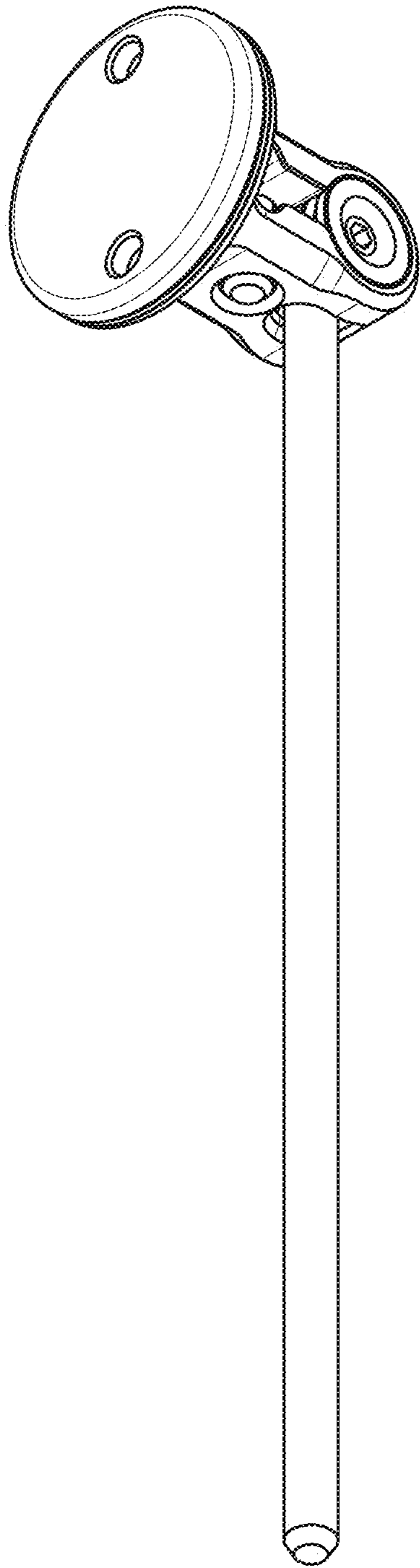


FIG. 7

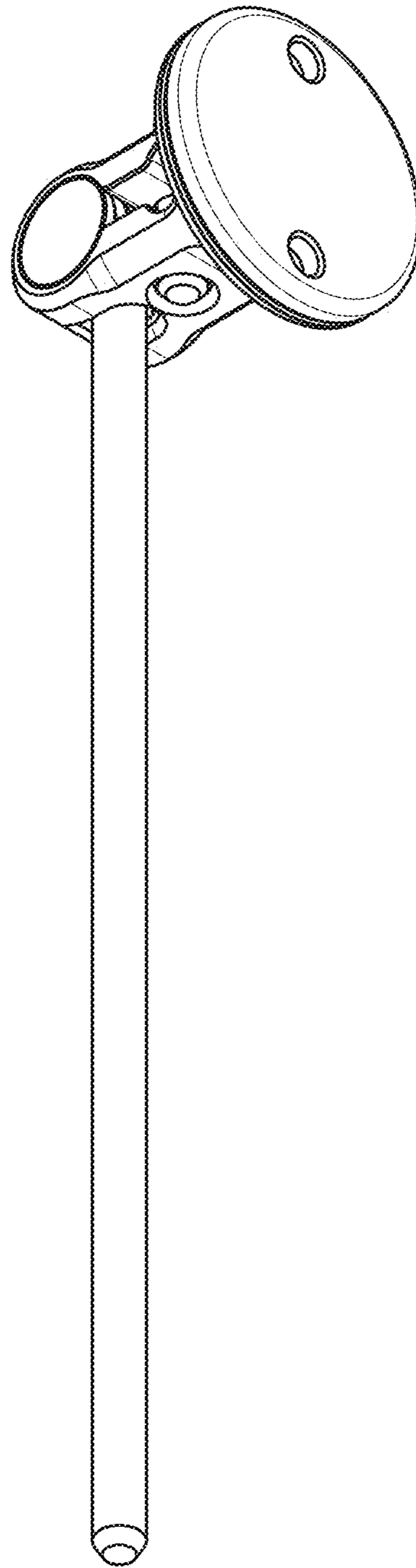


FIG. 8

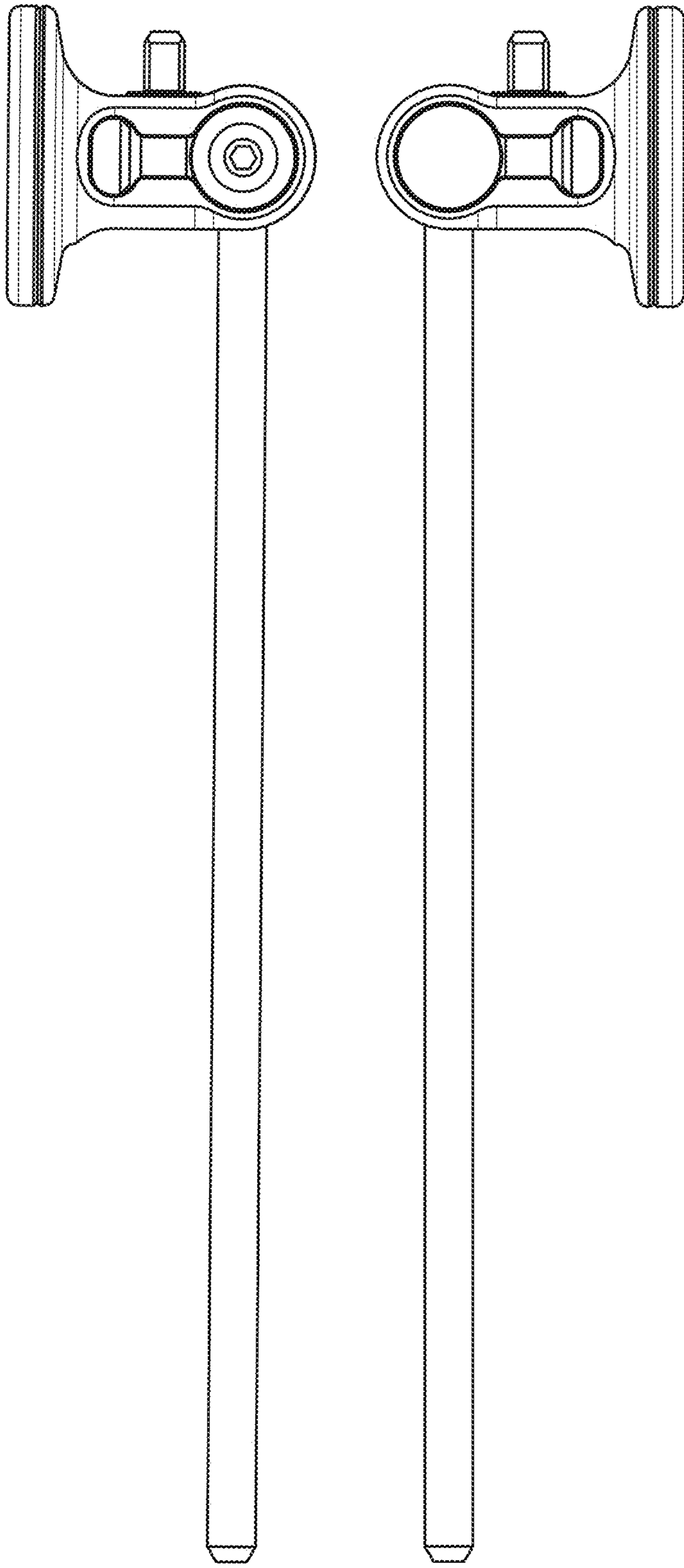


FIG. 9

FIG. 10

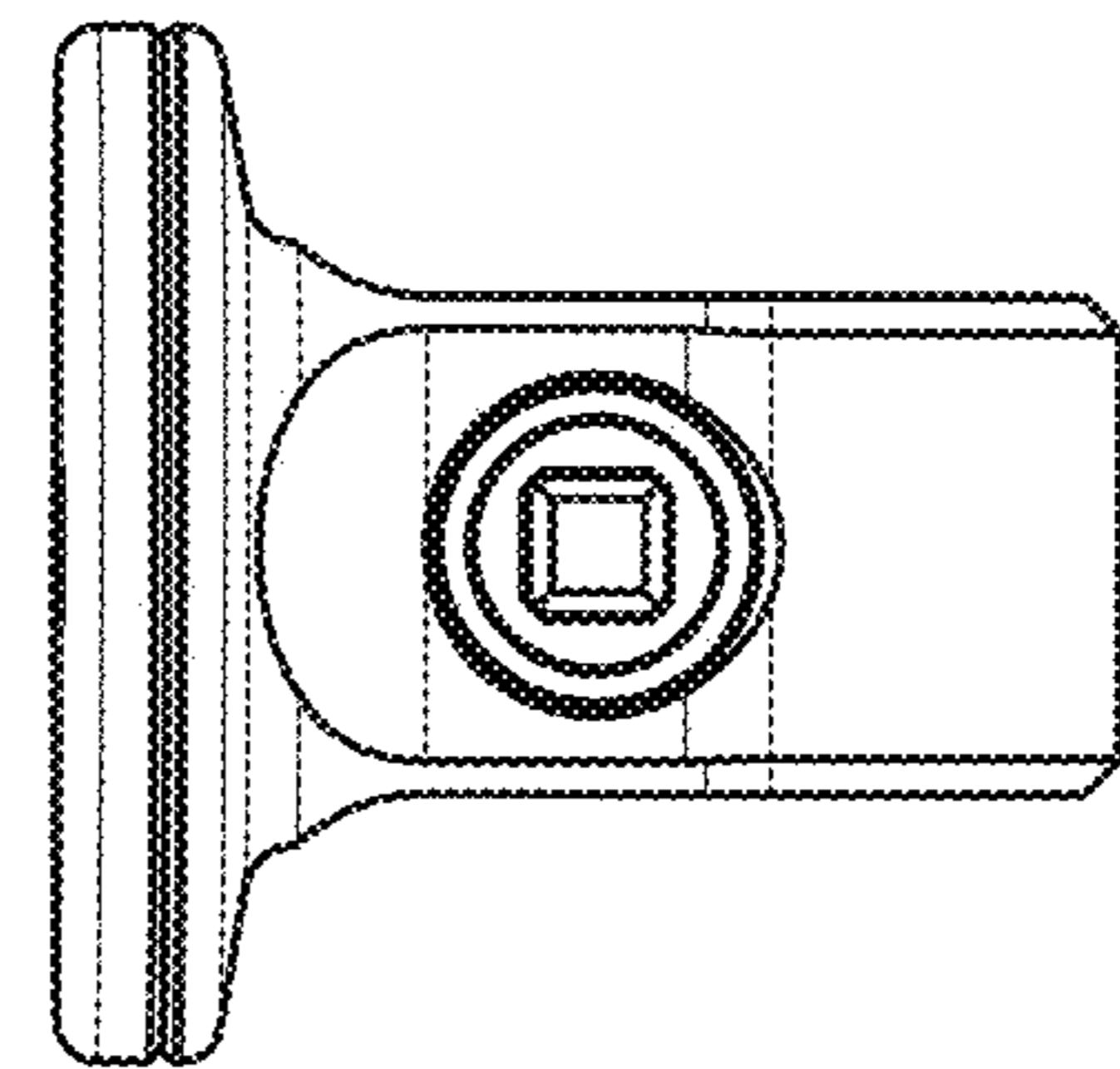


FIG. 11

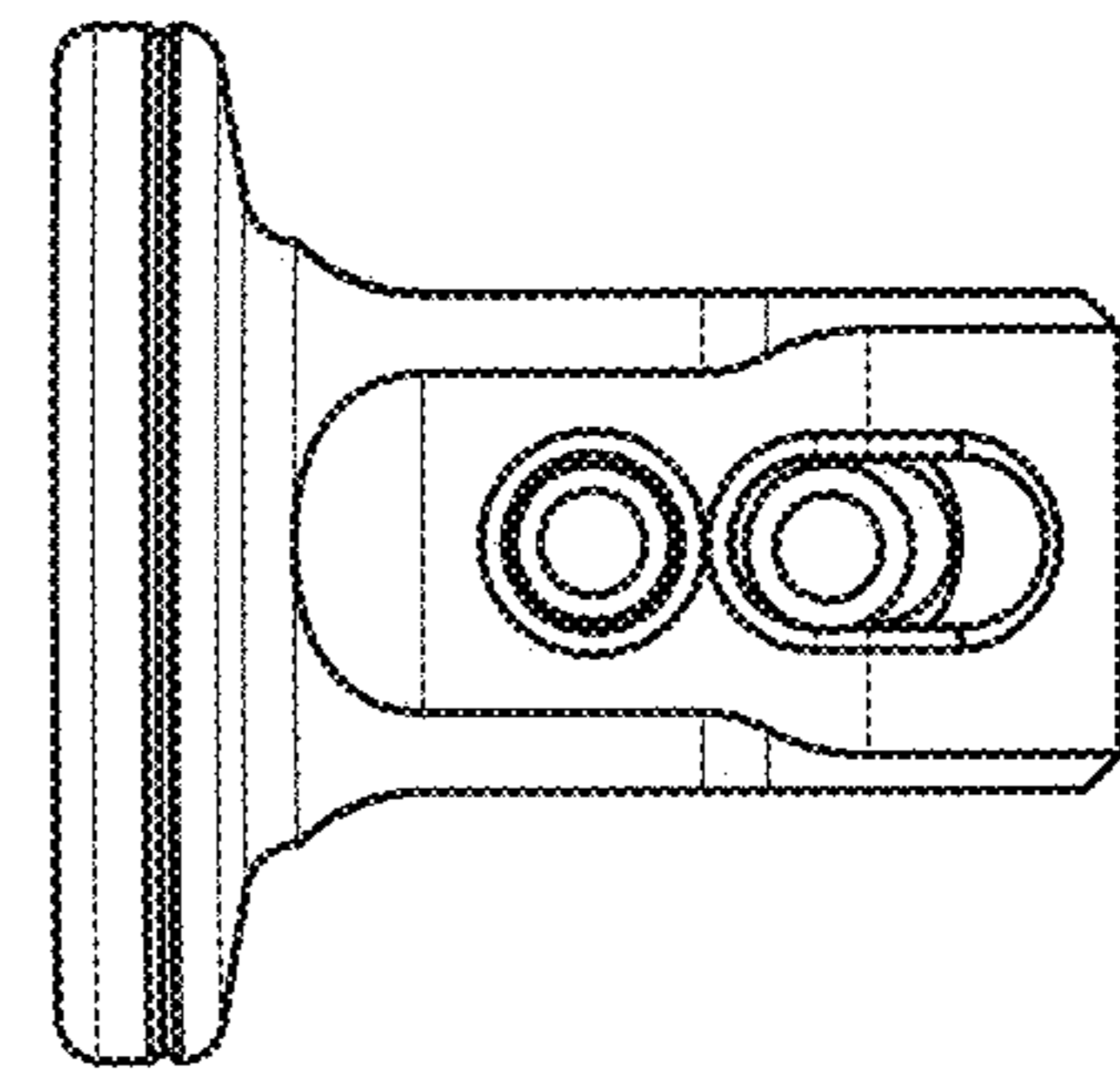


FIG. 12

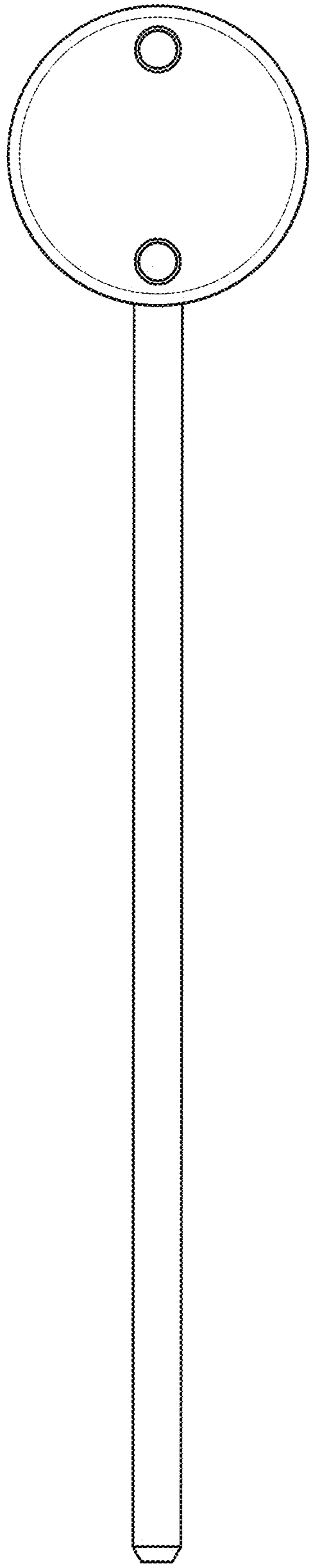


FIG. 13

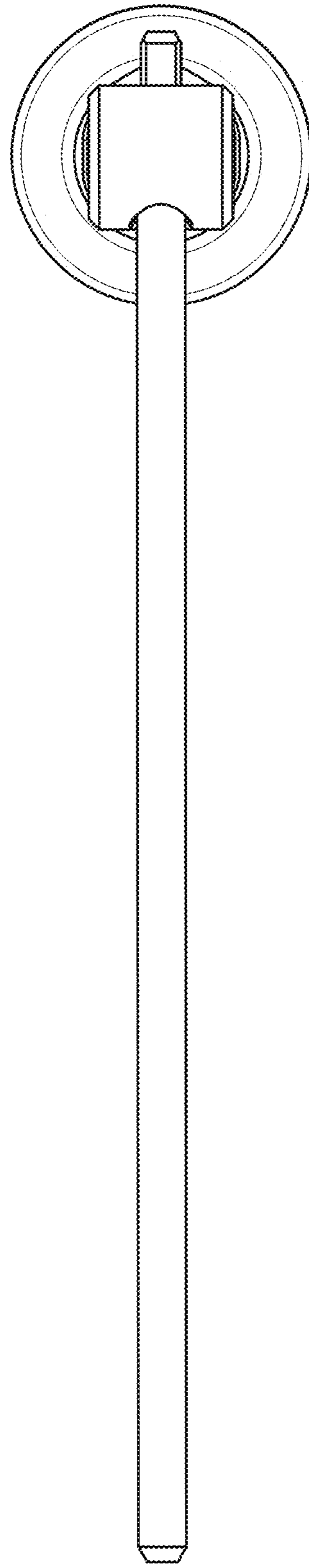


FIG. 14