



US00D954814S

(12) **United States Design Patent**
Muramatsu

(10) **Patent No.:** **US D954,814 S**
(45) **Date of Patent:** **** Jun. 14, 2022**

(54) **SPECTACLES**

(71) Applicant: **Mitsui Chemicals, Inc.**, Tokyo (JP)

(72) Inventor: **Akihiro Muramatsu**, Nagoya (JP)

(**) Term: **15 Years**

(21) Appl. No.: **35/509,324**

(22) Filed: **Apr. 6, 2020**

(80) **Hague Agreement Data**

Int. Filing Date: **Apr. 6, 2020**
Int. Reg. No.: **DM/207741**
Int. Reg. Date: **Apr. 6, 2020**
Int. Reg. Pub. Date: **May 8, 2020**

(30) **Foreign Application Priority Data**

Oct. 8, 2019 (JP) 2019-022520
Jan. 28, 2020 (JP) 2020-001414
Jan. 28, 2020 (JP) 2020-001415
Jan. 28, 2020 (JP) 2020-001417
Jan. 28, 2020 (JP) 2020-001418

(51) **LOC (13) Cl.** **16-06**

(52) **U.S. Cl.**
USPC **D16/334**

(58) **Field of Classification Search**
USPC D16/101, 300-342, 900
CPC G02C 2200/08; G02C 1/06; G02C 5/14;
G02C 11/02; G02C 11/04; G01C 5/16;
A61M 2021/0044; A63B 33/002
See application file for complete search history.

(56) **References Cited**

U.S. PATENT DOCUMENTS

D374,884 S * 10/1996 Jannard D16/335
D375,112 S * 10/1996 Jannard D16/335
D381,672 S * 7/1997 Simioni D16/321

D392,175 S * 3/1998 Beck D16/334
D397,137 S * 8/1998 Markovitz D16/335
D412,179 S * 7/1999 Hall D16/335
D422,011 S * 3/2000 Conway D16/326
D461,834 S * 8/2002 Jannard D16/326
D536,362 S * 2/2007 Mouclier D16/315
D549,269 S * 8/2007 Daems D16/321
D711,962 S * 8/2014 Thixton D16/335
D712,453 S * 9/2014 Mewha D16/335
D745,083 S * 12/2015 Yoo D16/334
D921,098 S * 6/2021 Chen D16/326

* cited by examiner

Primary Examiner — Holly E Thurman

(57) **CLAIM**

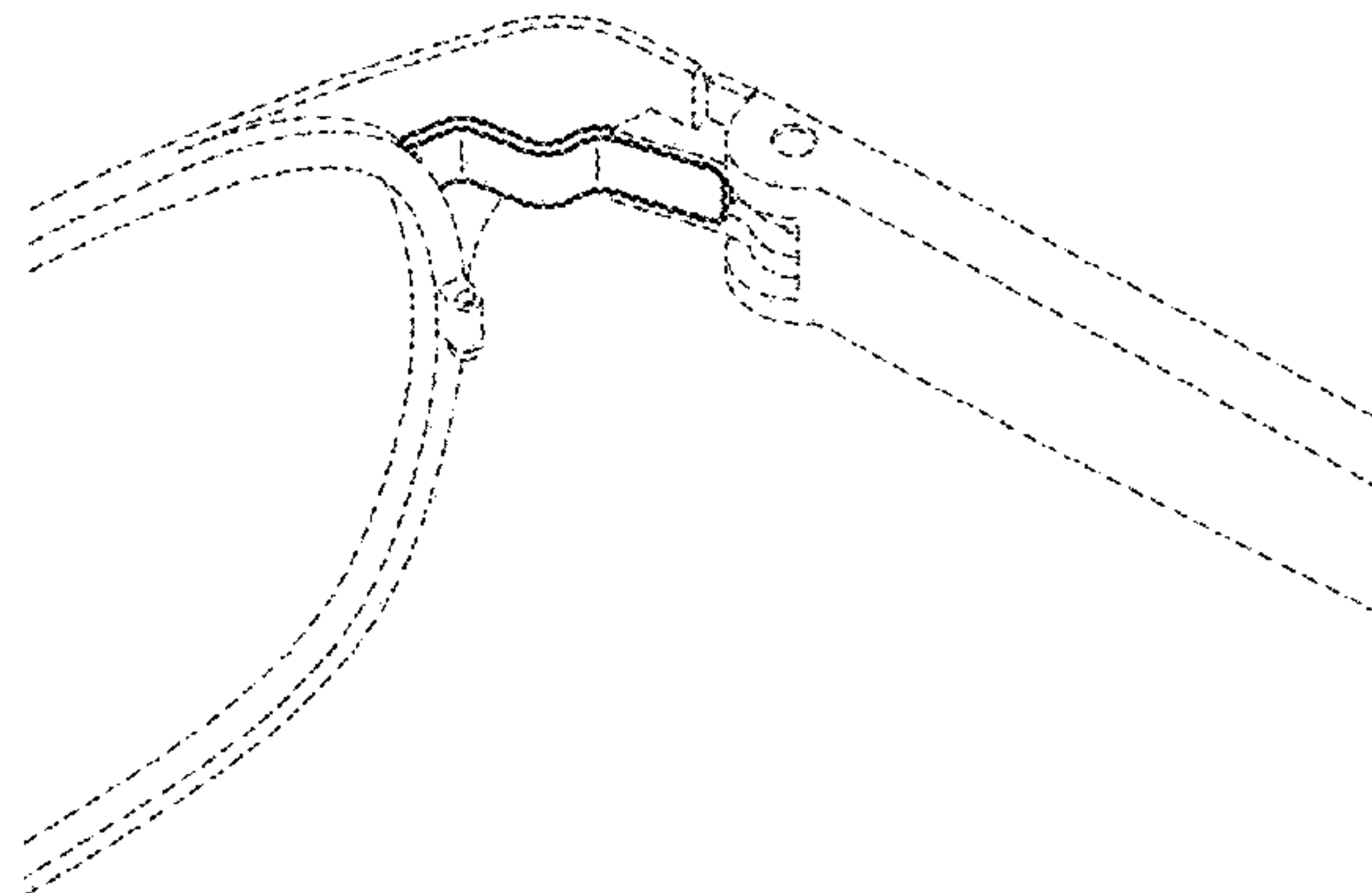
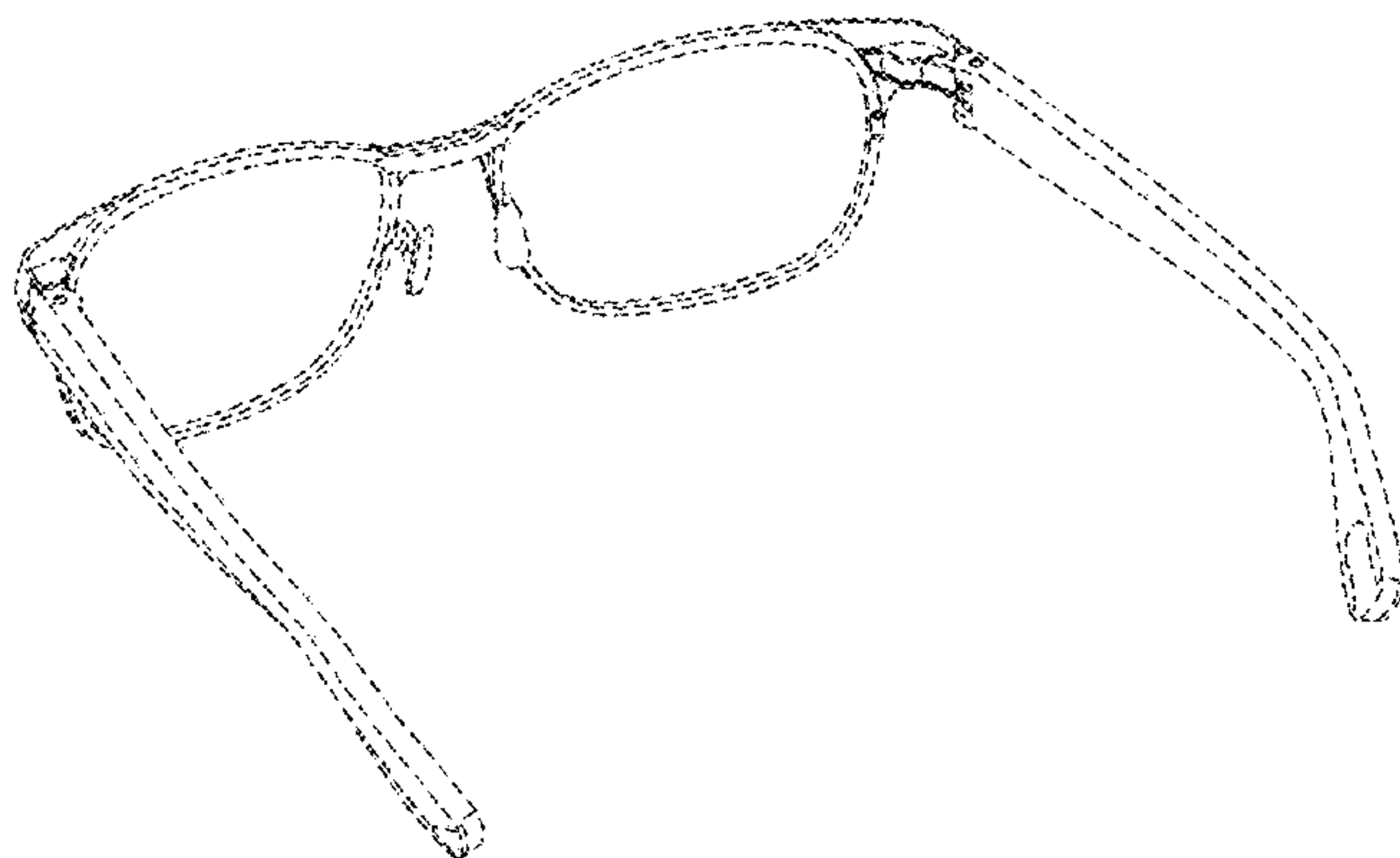
The ornamental design for spectacles, as shown and described.

DESCRIPTION

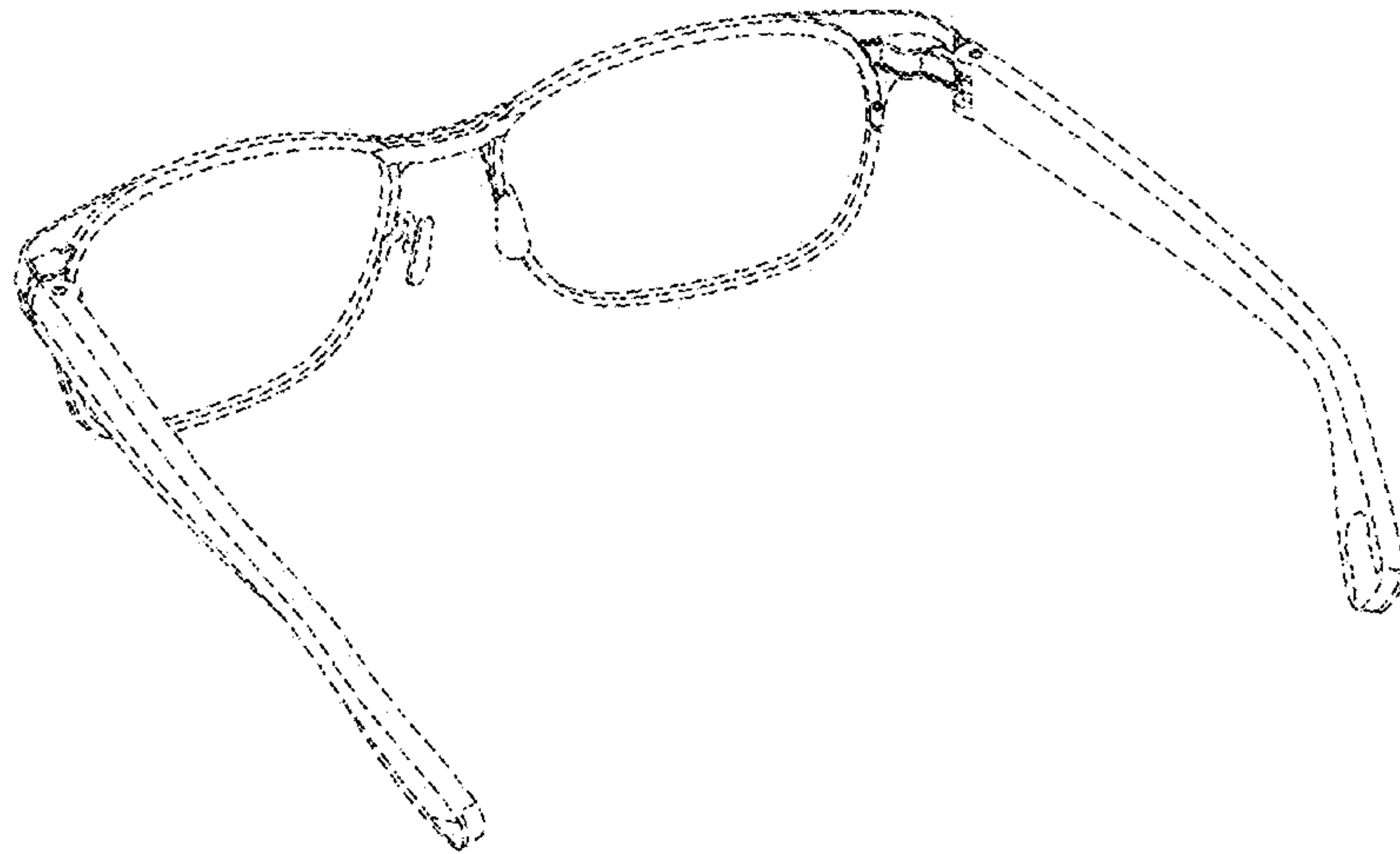
- 1. Spectacles
- 1.1: Perspective
- 1.2: Back
- 1.3: Partial enlarged perspective view
- 1.4: Partial enlarged perspective view
- 1.5: Partial enlarged perspective view
- 1.6: Reference view
- 1.7: Top
- 1.8: Partial enlarged view of Fig.1.7
- 1.9: Front
- 1.10: Bottom
- 1.11: Left

The broken lines illustrating the spectacles are for environment purposes only and form no part of the claimed design; The right side views of spectacles and spectacle frames are omitted because they are mirror images of the left side views of spectacles and spectacle frames, respectively; The two vertical solid lines on a surface of the claimed design in Fig.1.1, Fig.1.3, Fig.1.4, Fig.1.5, and Fig.1.6 are drawn only for specifying a three-dimensional shape; Fig.1.6 is a reference view of the spectacles without covers.

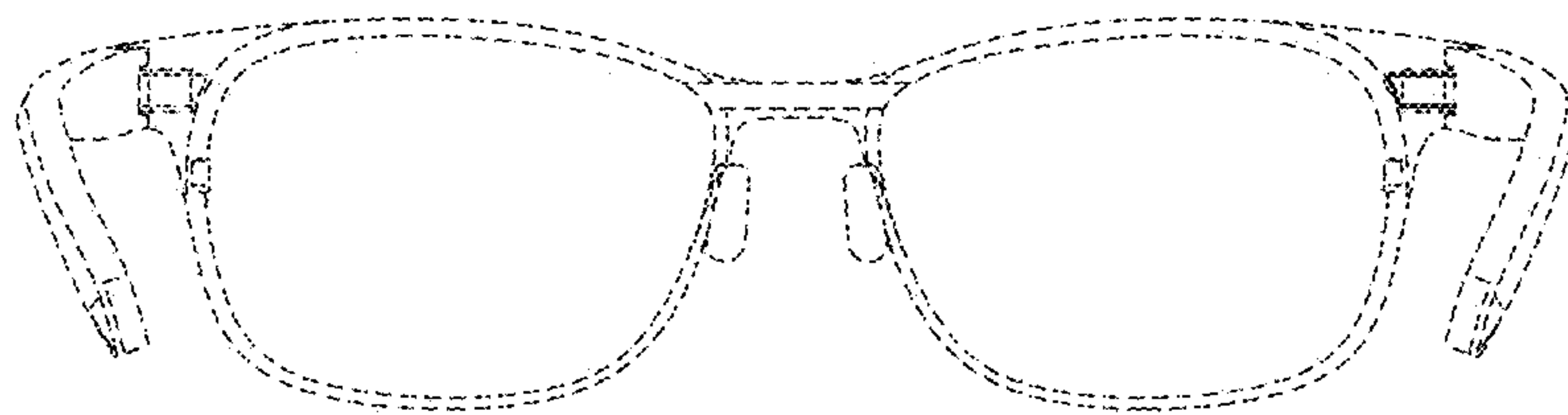
1 Claim, 6 Drawing Sheets



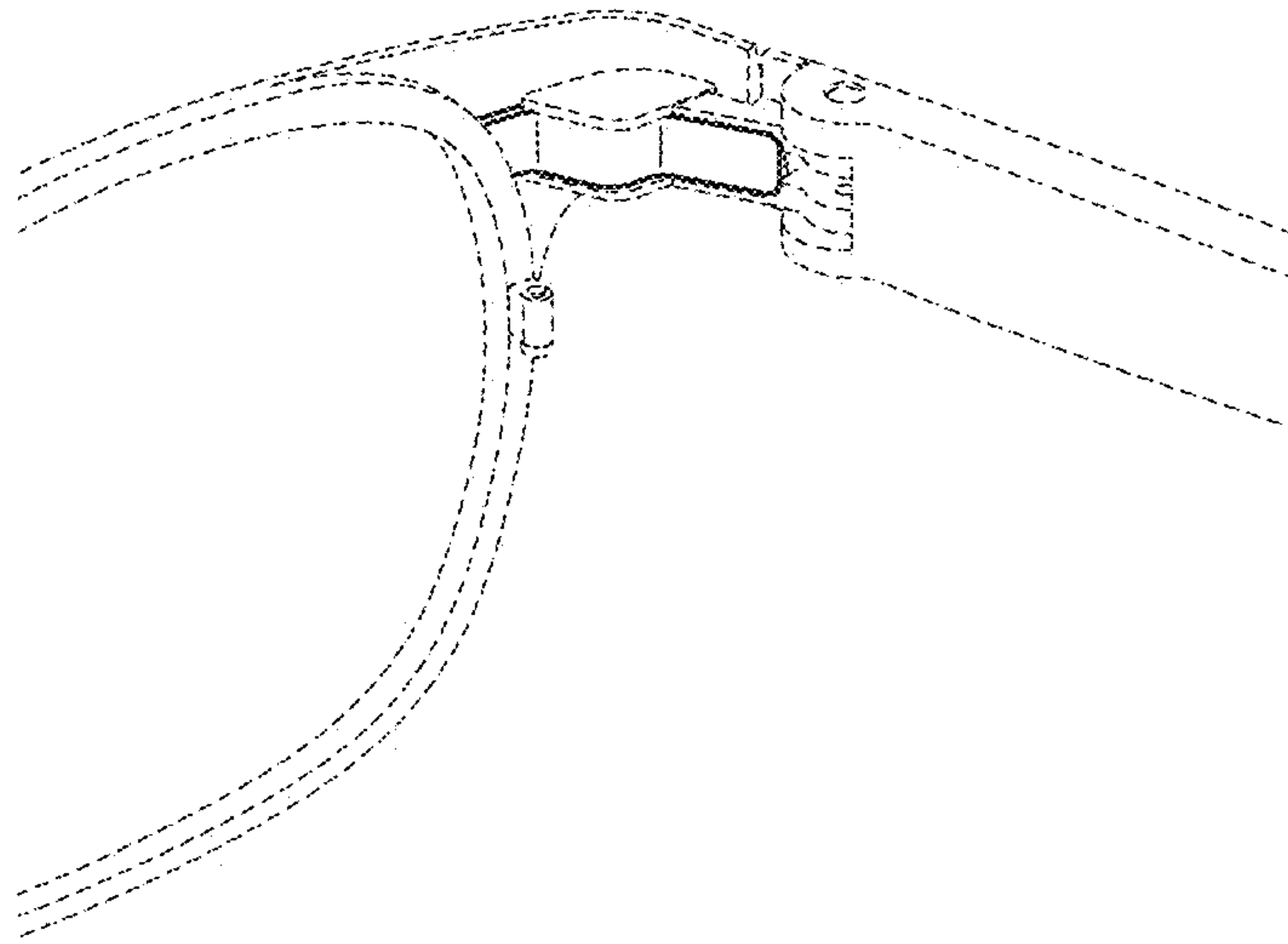
1.1



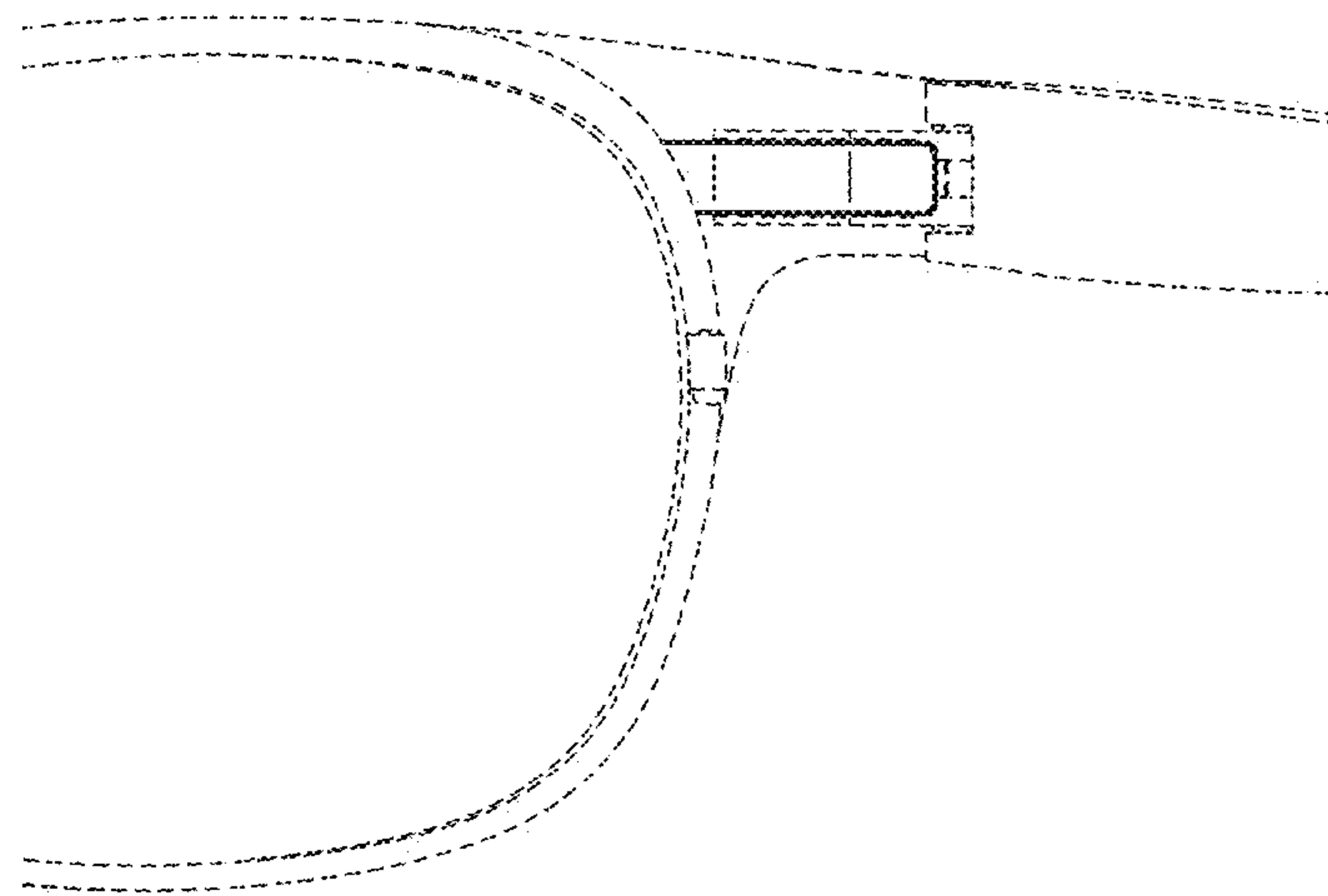
1.2



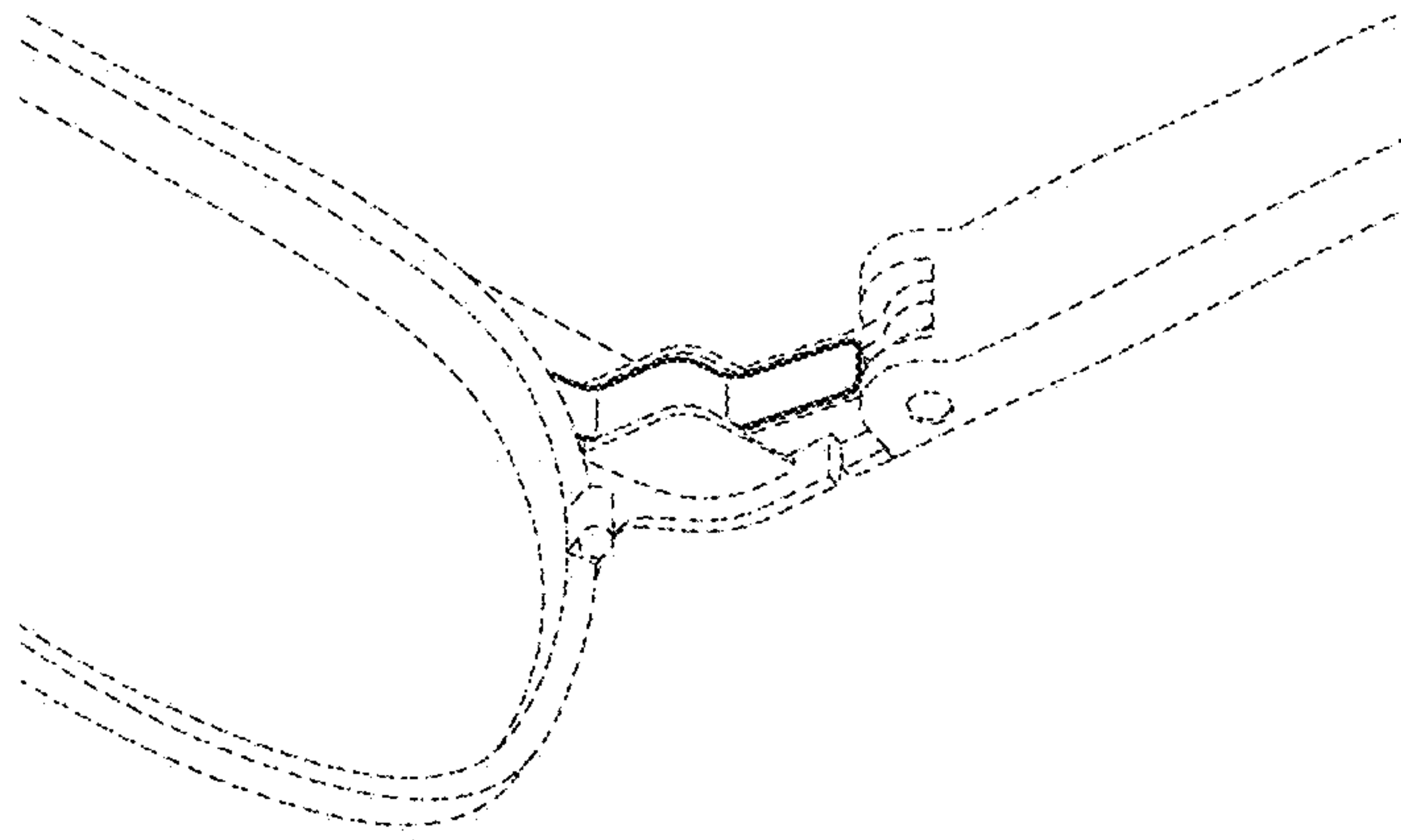
1.3



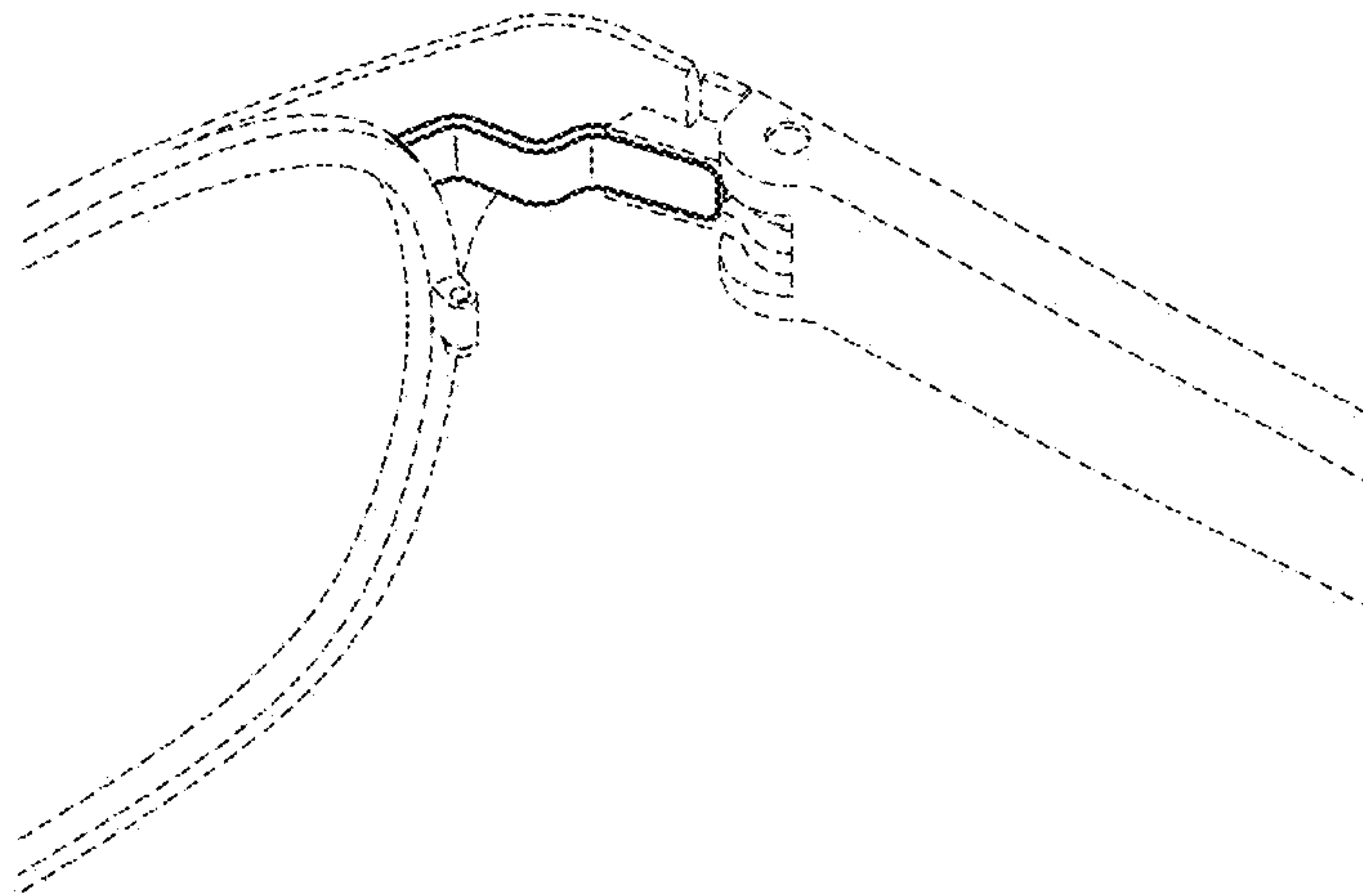
1.4



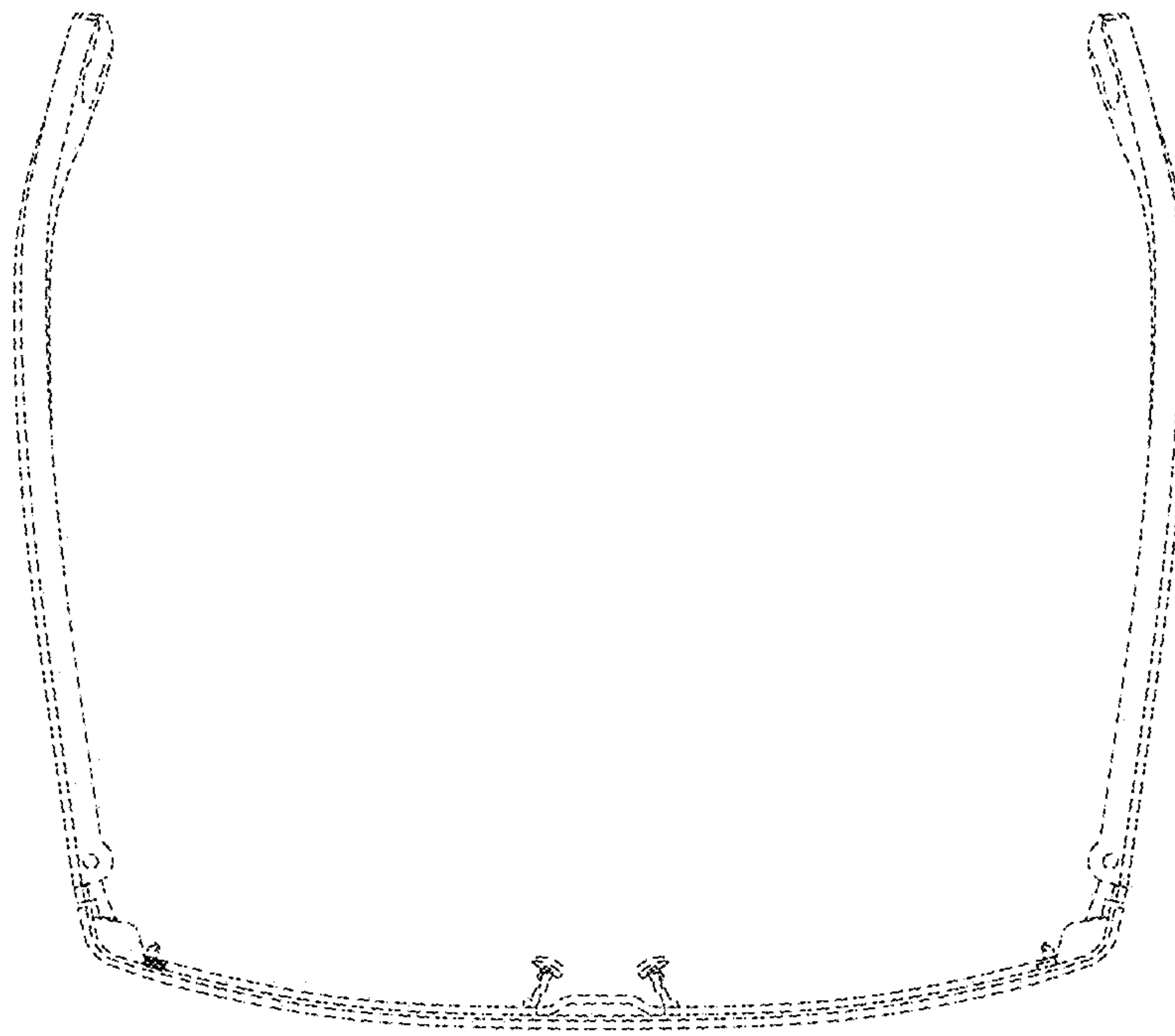
1.5



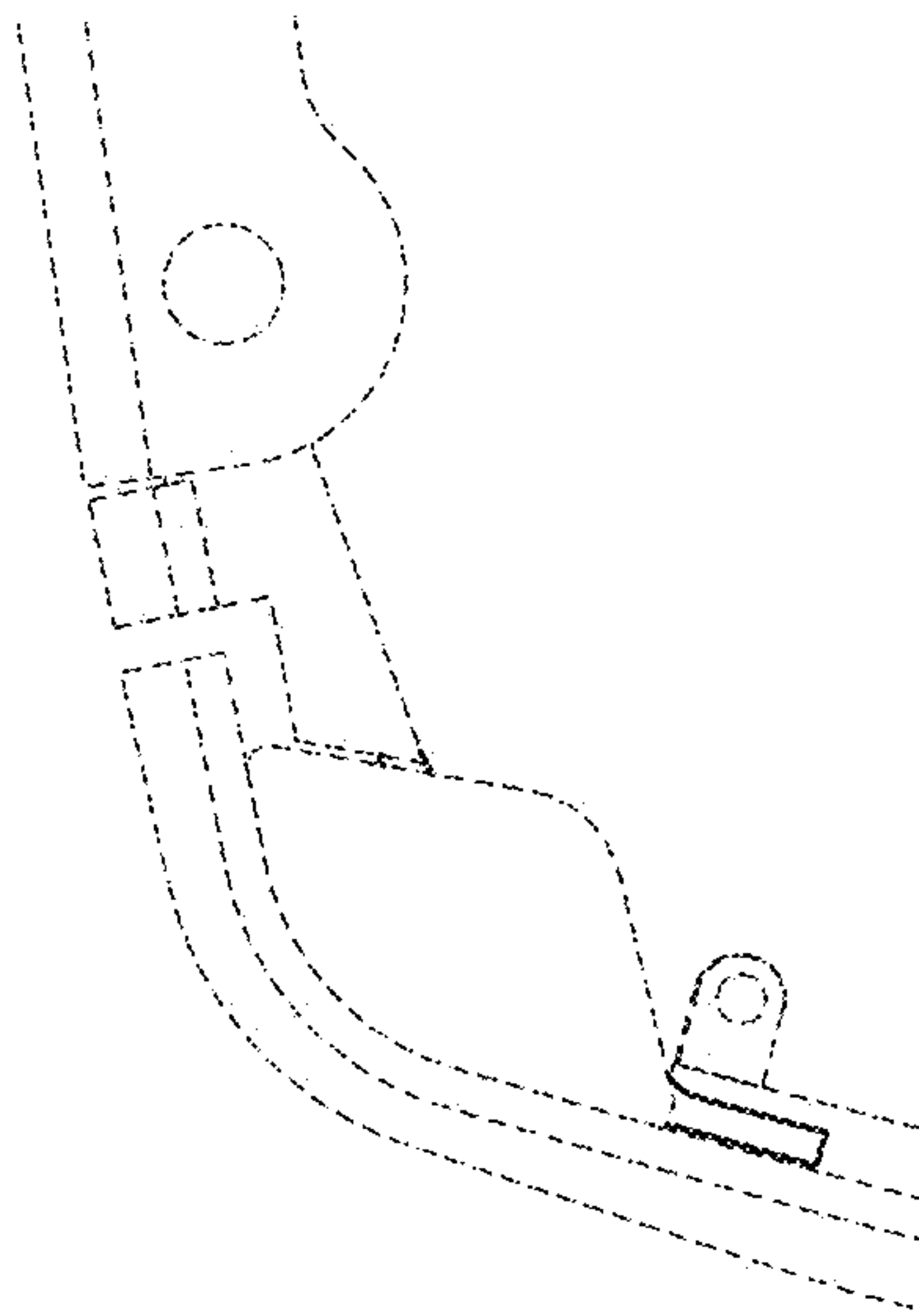
1.6



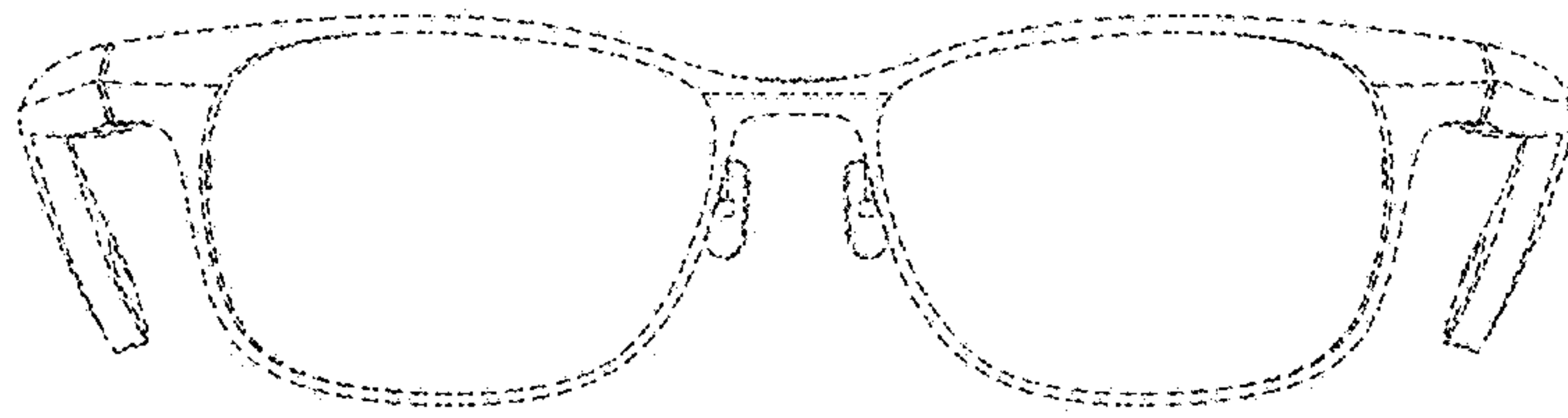
1.7



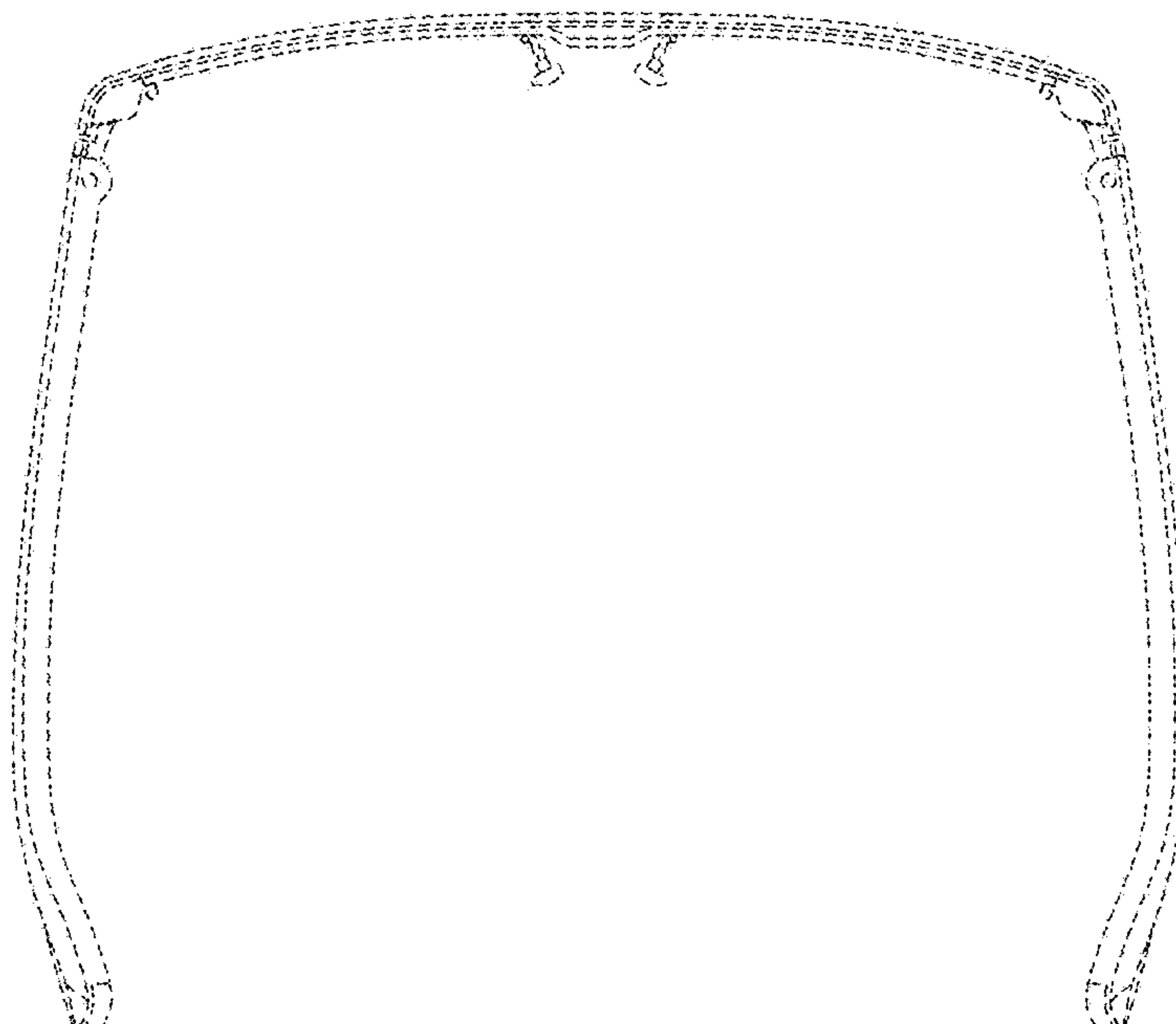
1.8

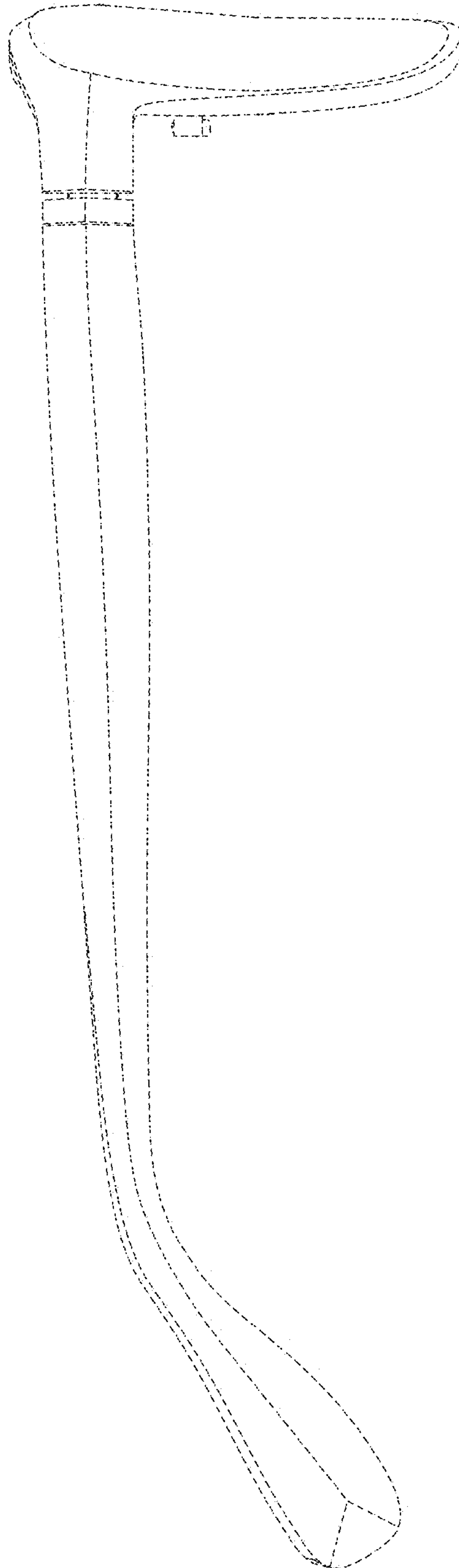


1.9



1.10





1.11