



US00D954813S

(12) **United States Design Patent**
Fuchs

(10) **Patent No.:** **US D954,813 S**
(45) **Date of Patent:** **** Jun. 14, 2022**

- (54) **SUNGLASSES**
- (71) Applicant: **Silhouette International Schmied AG**,
Linz (AT)
- (72) Inventor: **Gerhard Fuchs**, Kauns (AT)
- (73) Assignee: **SILHOUETTE INTERNATIONAL**
SCHMIED AG, Linz (AT)
- (**) Term: **15 Years**
- (21) Appl. No.: **29/738,362**
- (22) Filed: **Jun. 17, 2020**

| | | | |
|--------------|--------|-------------------|---------|
| D680,154 S * | 4/2013 | Faber | D16/325 |
| D750,695 S * | 3/2016 | Bonaventura | D16/320 |
| D751,137 S * | 3/2016 | Bonaventura | D16/320 |
| D751,138 S * | 3/2016 | Bonaventura | D16/320 |
| D751,139 S * | 3/2016 | Bonaventura | D16/320 |
| D795,950 S * | 8/2017 | McKim | D16/300 |

- (30) **Foreign Application Priority Data**
- Mar. 12, 2020 (EM) 007749700
- (51) **LOC (13) Cl.** **16-06**
- (52) **U.S. Cl.**
- USPC **D16/329**
- (58) **Field of Classification Search**
- USPC D16/300, 313, 315, 319, 320, 321, 325,
D16/326, 327, 329
- CPC . G02C 1/06; G02C 7/10; G02C 5/008; G02C
7/02; G02C 1/04
- See application file for complete search history.

OTHER PUBLICATIONS

U Shape Bridge Aviator Sunglasses, posted at amazon.com, posting date Jun. 1, 2020, [online], [site visited Dec. 6, 2021], Available from Internet, URL: <https://www.amazon.com/Bridge-Brackets-Modern-Aviator-Sunglasses/dp/B089HYXHX9?th=1> (Year: 2020).*

V Shape Bridge Aviator Sunglasses, posted at amazon.com, posting date Mar. 31, 2020, [online], [site visited Dec. 6, 2021], Available from Internet, URL: <https://www.amazon.com/Shape-Bridge-Round-Aviator-Sunglasses/dp/B086MP2VJ1?th=1> (Year: 2021).*

(Continued)

Primary Examiner — Maria J. Edwards
(74) *Attorney, Agent, or Firm* — Alston & Bird, LLP

(57) **CLAIM**

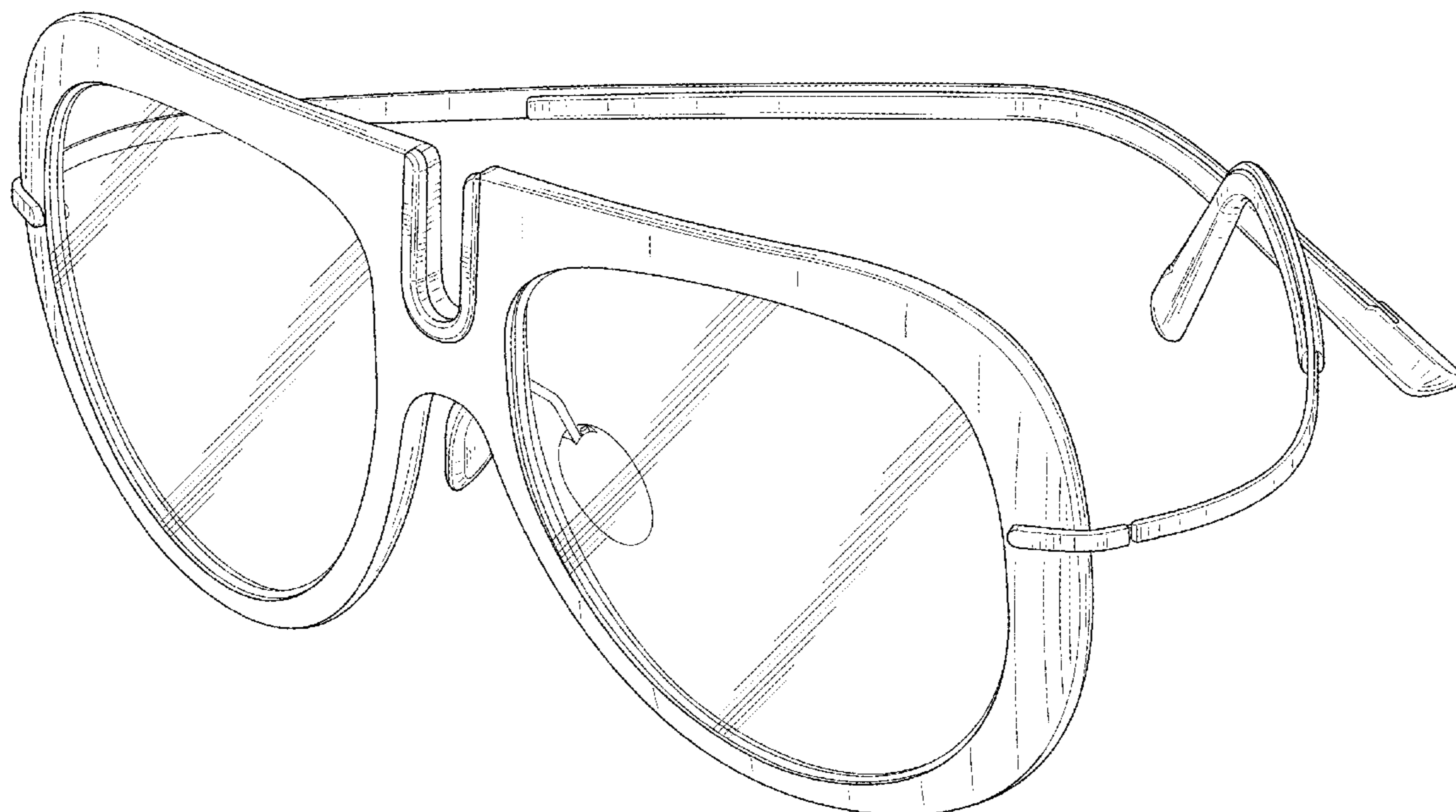
I claim the ornamental design for sunglasses, as shown and described.

DESCRIPTION

FIG. 1 is a perspective view of sunglasses showing my new design;
FIG. 2 is a front elevation view thereof;
FIG. 3 is a rear elevation view thereof;
FIG. 4 is a right side elevation view thereof, the left side being a mirror image thereof;
FIG. 5 is a top plan view thereof;
FIG. 6 is a bottom plan view thereof; and,
FIG. 7 is a right side elevation cross-section view thereof taken along line 7-7 in FIG. 2.
The broken lines illustrate portions of the sunglasses that form no part of the claimed design.

1 Claim, 7 Drawing Sheets

- (56) **References Cited**
- U.S. PATENT DOCUMENTS**
- D228,674 S * 10/1973 Shindler D16/329
- D228,679 S * 10/1973 Shindler D16/329
- D229,633 S * 12/1973 Shindler D16/329
- D242,789 S * 12/1976 Canavan, III D16/329
- D245,169 S * 7/1977 Teufelhart D16/321
- D331,766 S * 12/1992 Korny D16/329
- D545,347 S 6/2007 Fuchs
- D547,792 S 7/2007 Fuchs



(56)

References Cited

OTHER PUBLICATIONS

Great Vintage Used Silhouette M567 Sunglasses, www.ebay.com/itm/GREAT-VINTAGE-USE-SILHOUE-TTE-M567-SUNGLASSES/283816184760?hash=item42155c65dc:g:4N4AAOSwCf5eeo, Retrieved from Internet May 14, 2020 (3 pages).

Silhouette 567, il_1140xN.733633081_680m.jpg (1140x855), https://i.etsystatic.com/5239888/r/il/8a96f/733633081/1f_1140xN.733633081680m.jpg, Retrieved from Internet May 14, 2020 (1 page).

Luxury Vintage Sunglasses—Details of Silhouette 567, https://www.luxuryvintagesunglasses.com/product-details_00203_9_silhouette-567-.html, Retrieved from Internet May 14, 2020, (2 pages).

Original c1974 Silhouette Futura 527 Orange Shades NOS Unworn Fashion History OO, <https://www.ebay.com/itm/Original-c1974-SILHOUE-TTE-FUTURA-572-Orange-Shades-NOS-Unwom-FASHION-HISTORY-OO/292625341543?hash=i . . .>, Retrieved from Internet May 14, 2020 (5 pages).

Silhouette Futura 572 Vintage Sunglasses including Softpouch, <https://www.frenchpartofsweden.com/listing/456582342/reserved-for-rudolph-silhouette-futura>, Retrieved from Internet May 14, 2020 (9 pages).

Silhouette 567 Blue CAMO-Silver, Vintage Sunglasses for Sale (<https://www.vintage-sunglasses-for-sale.com/>) (1975), Retrieved from Internet May 14, 2020 (3 pages).

Silhouette 567 RARE sunglasses vintage sunglasses '80 years, <https://www.ebay.com/itm/Silhouette-567-rari-occhiali-da-sole-vintage-sunglasses-anni-80-/121201436167>, Retrieved from Internet May 14, 2020 (3 pages).

Silhouette Futura Orange—Bond07Vintage, New York Bond07 by Selima, <https://bond07.com/collections/eyewear/products/silhouette-futura-orange>, Retrieved from Internet May 14, 2020 (9 pages).

Vintage Silhouette Futura Mod 567 Blue Camo Sunglasses Frame Made in Austria, <https://www.ebay.com/itm/Vintage-Silhouette-Futura-Mod-567-Blue-Camo-Sunglasses-Frame-Made-in-Austria/254585720773?hash=item3b467dcfc5>, Retrieved from Internet May 14, 2020 (3 pages).

Vintage Silhouette JetStyle Phantom 8505 Shield Aviator Sunglasses—Great Cond, <https://www.ebay.com/itm/Vintage-Silhouette-JetStyle-Phantom-8505-Shield-Aviator-Sunglasses-Great-Cond/392796103624?hash=item5b7478e3c8>: Retrieved from Internet May 14, 2020 (3 pages).

Vintage Silhouette Sunglasses Mod. 8505, <https://www.ebay.com/itm/VINTAGE-SILHOUE-TTE-SUNGLASSES-MOD-8505-COL-20-NOS-/222462323961>, Retrieved from Internet May 14, 2020 (3 pages).

Vintage sunglasses Silhouette 567 original made in Austria from '70s, www.etsy.com/ca/listing/673296099/vintage-sunglasses-silhouette-567, Retrieved from Internet May 14, 2020 (1 page).

Blue Vintage Sunglasses, SILHOUE-TTE 567, oversized eyewear, 70s designer sunglasses, deadstock sunglasses with new gradient lenses, www.etsy.com_listing_224145315_blue-vintage-sunglasses-silhouette-567.jpg, Retrieved from Internet May 14, 2020 (1 page).

Silhouette Futura 572, www.vintage-sunglasses-shop.com/eyewear/338/silhouette-futura-572.jpg, Retrieved from Internet May 14, 2020 (1page).

* cited by examiner

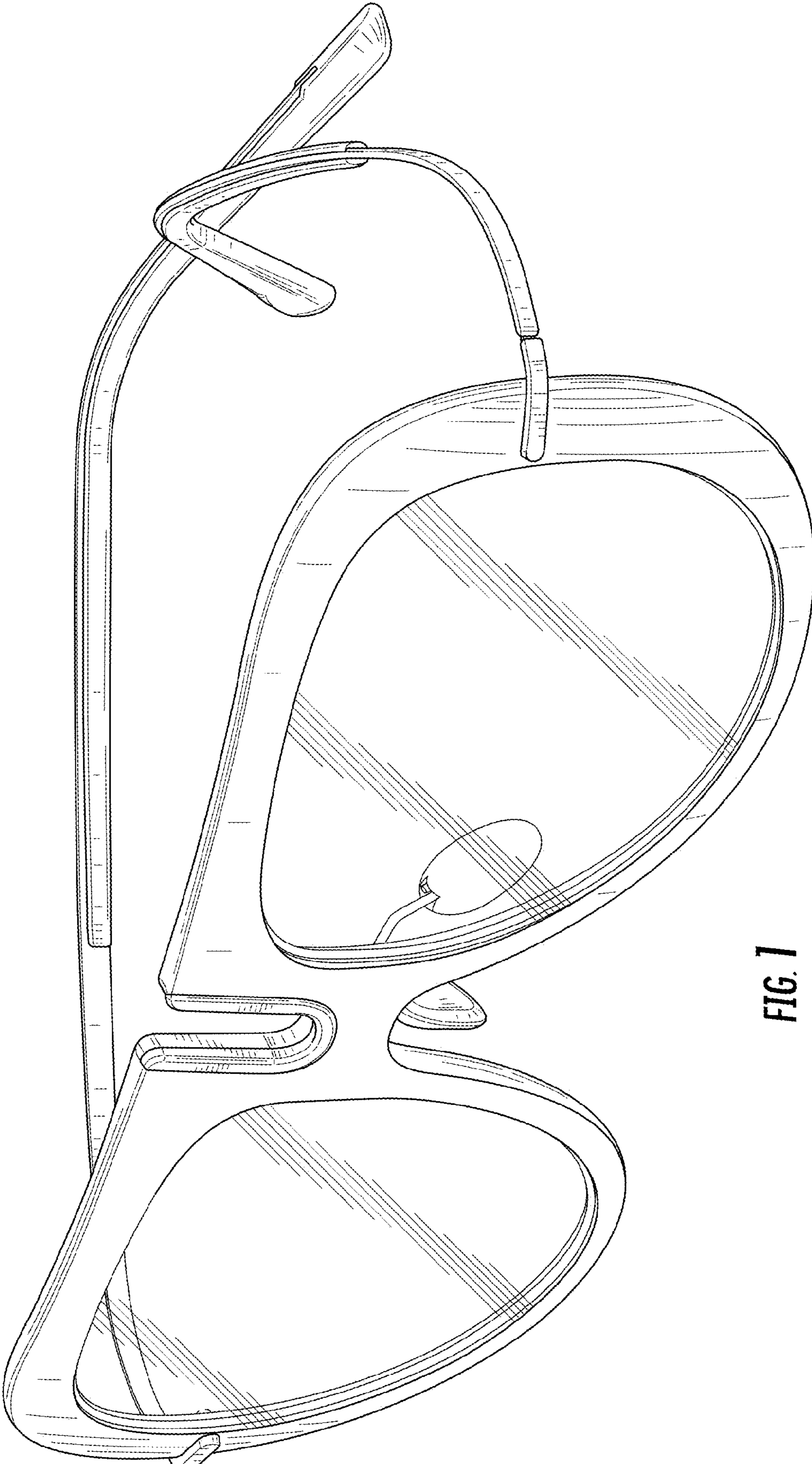


FIG. 1

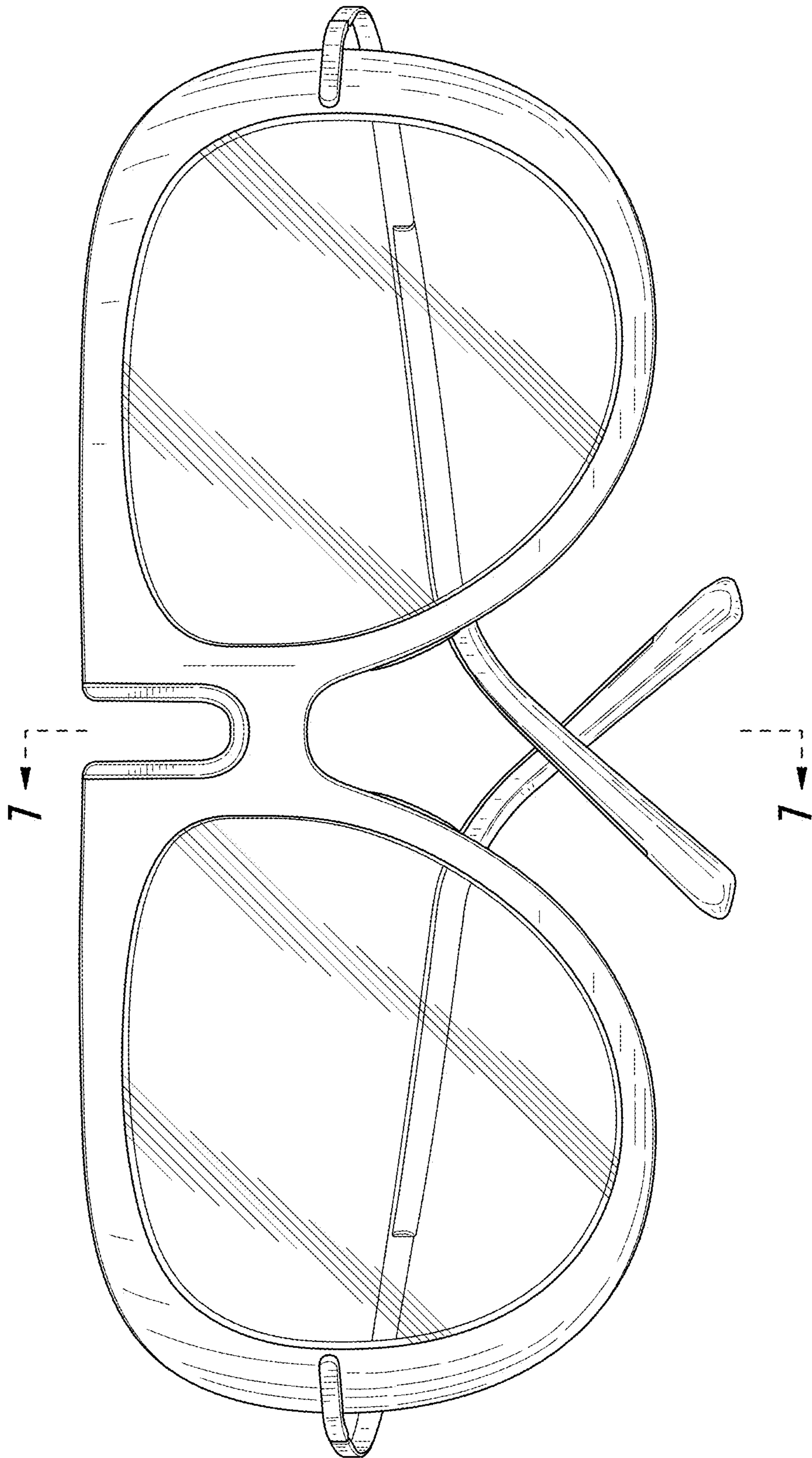


FIG. 2

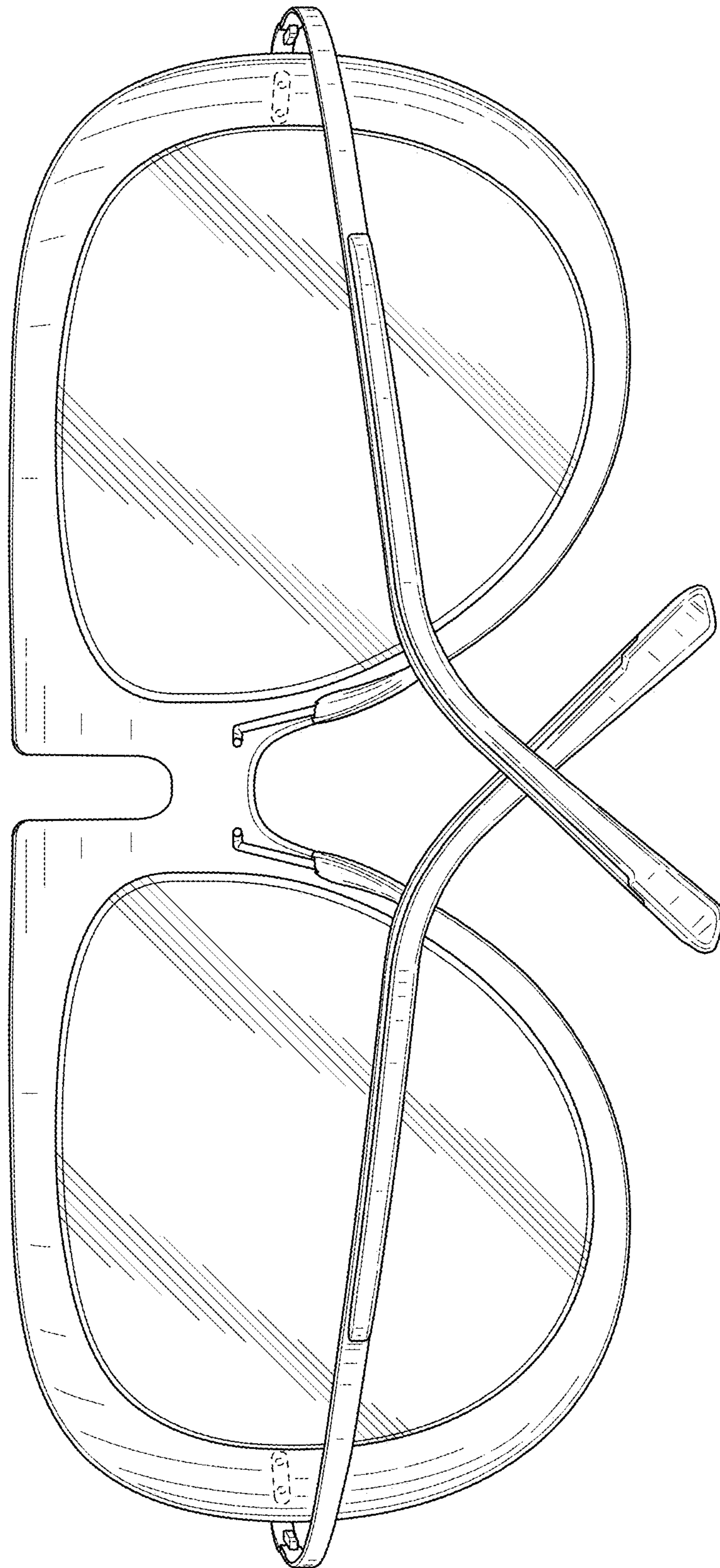


FIG. 3

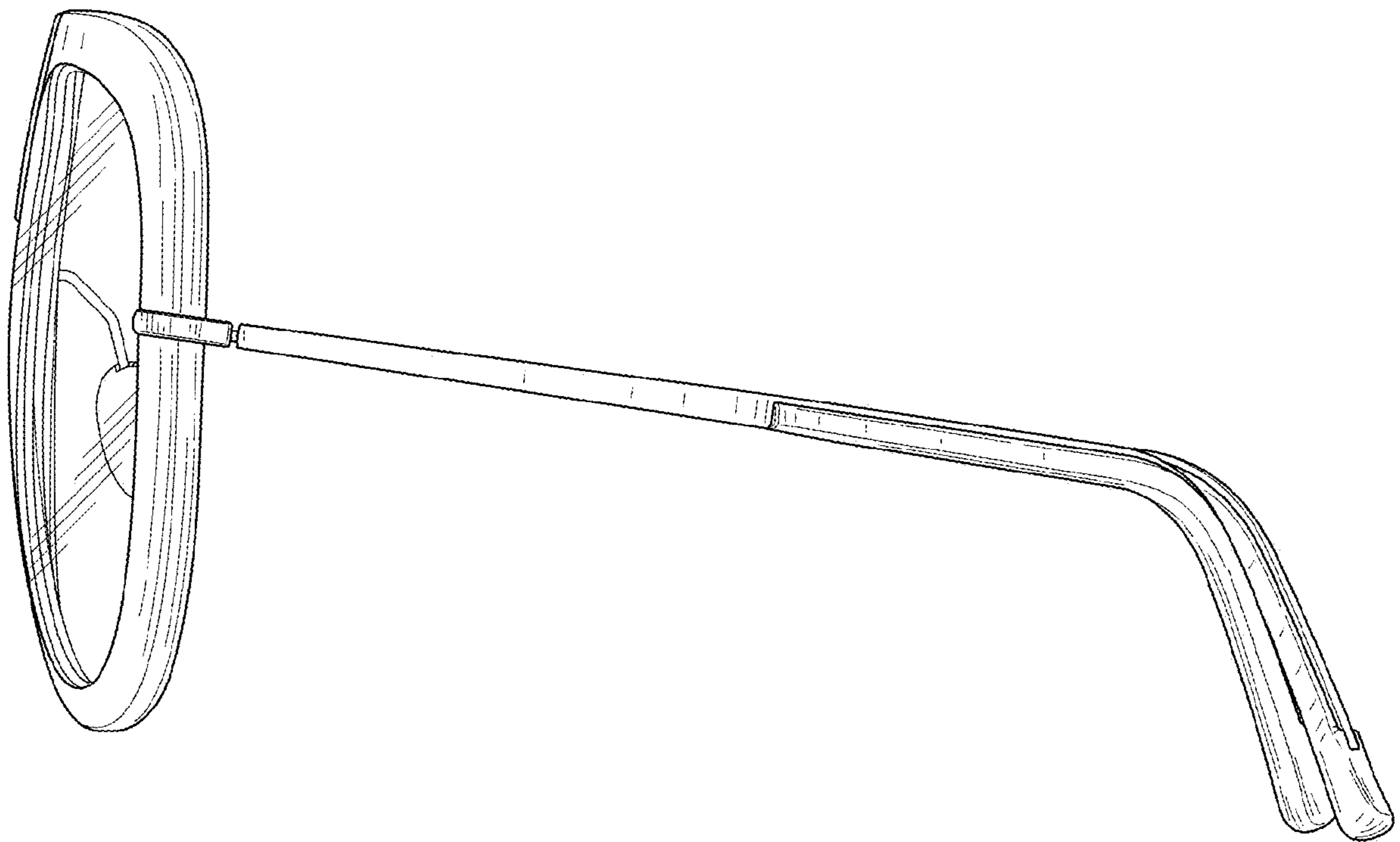


FIG. 4

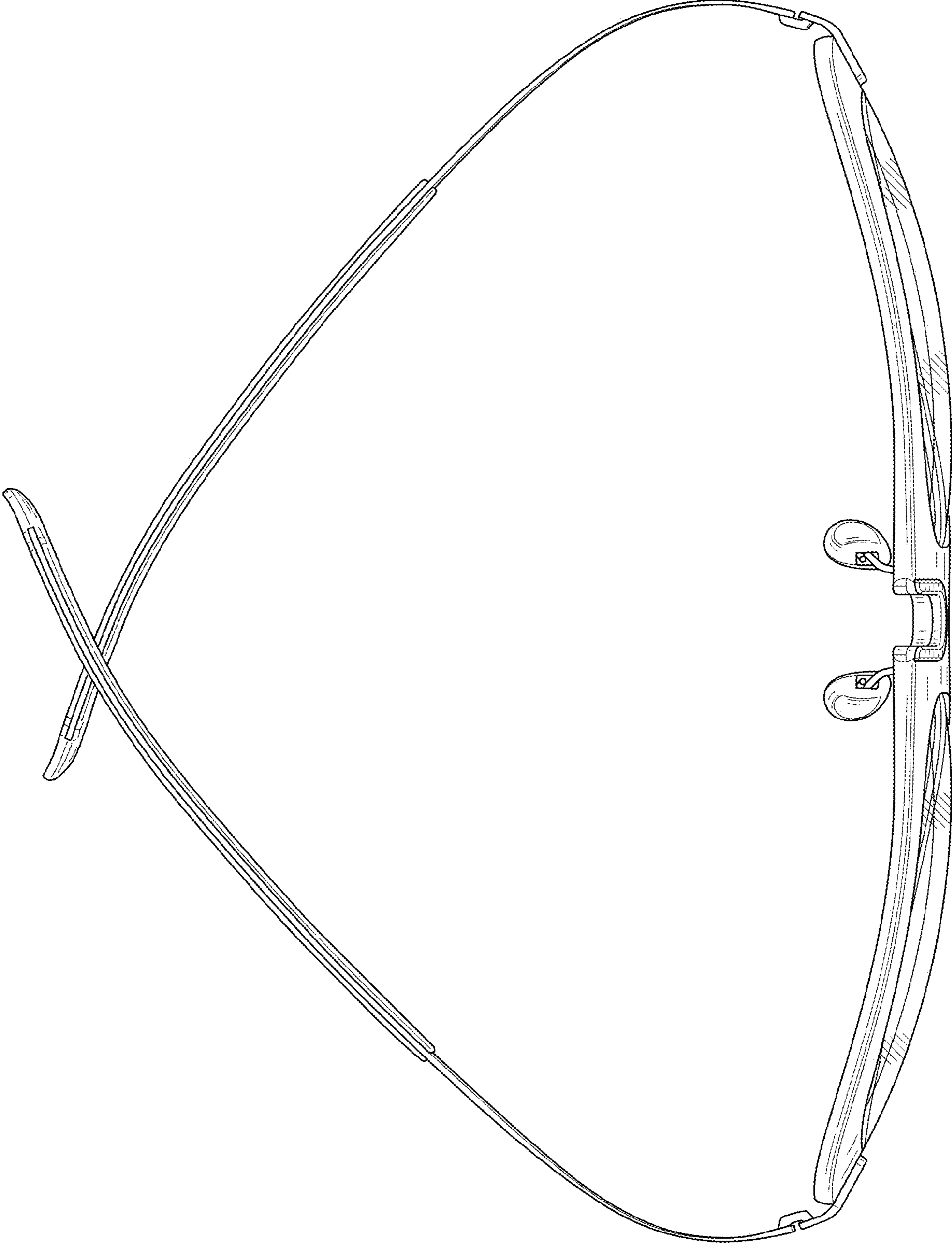


FIG. 5

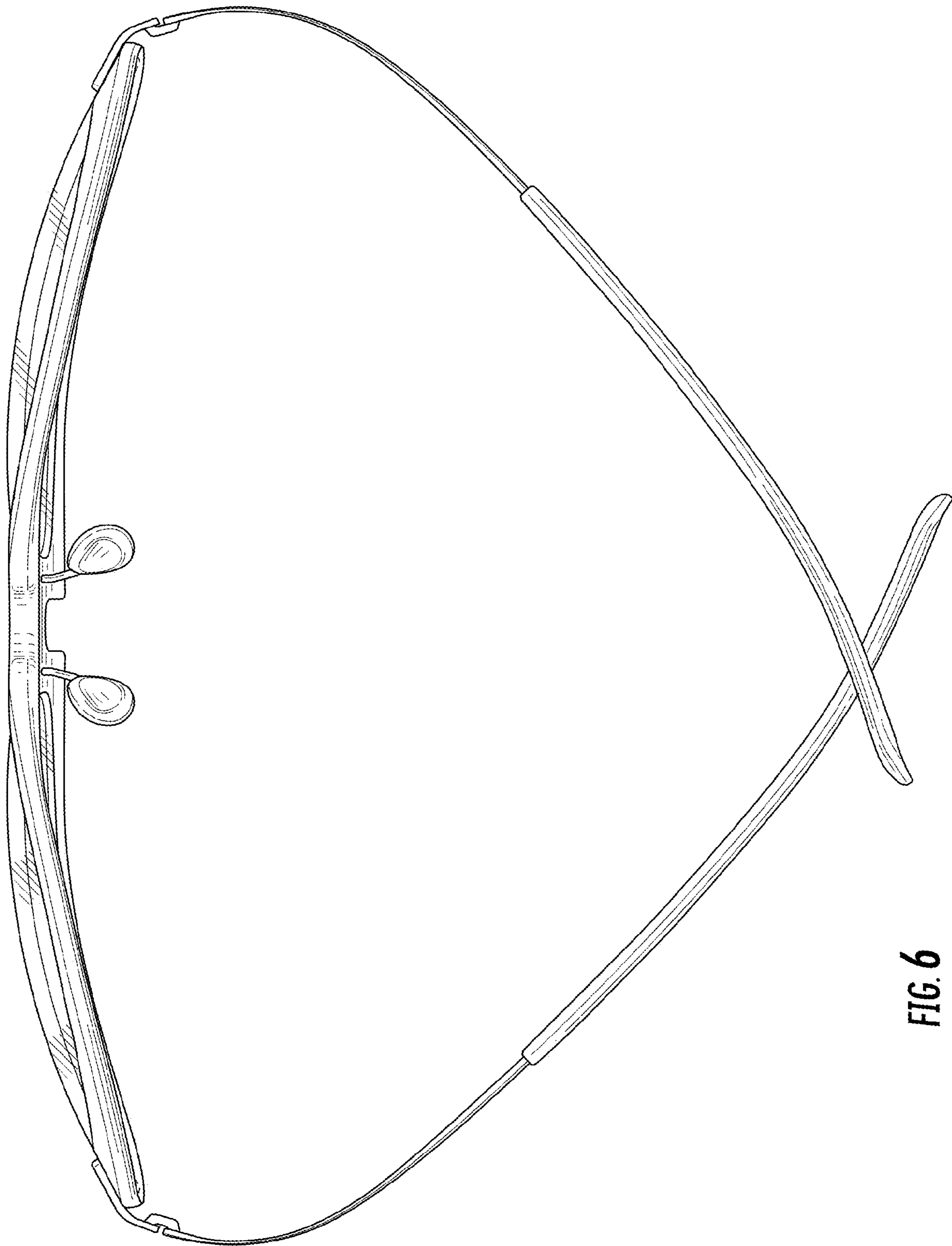


FIG. 6

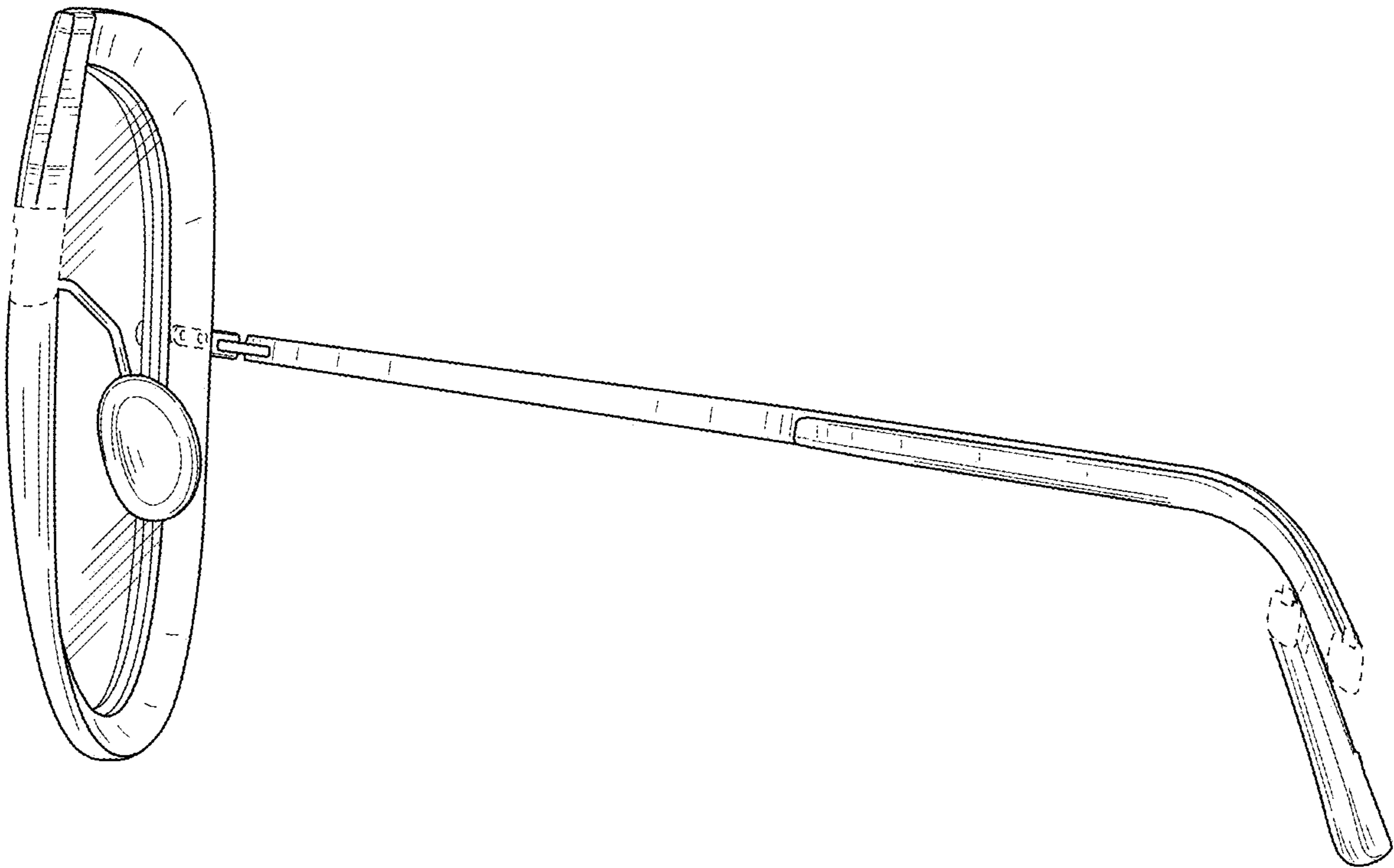


FIG. 7