



US00D954804S

(12) **United States Design Patent** (10) **Patent No.:** **US D954,804 S**  
**Xie** (45) **Date of Patent:** **\*\* Jun. 14, 2022**

(54) **CYCLING GLASSES**  
(71) Applicant: **Zhenlong Xie**, Jieyang (CN)  
(72) Inventor: **Zhenlong Xie**, Jieyang (CN)  
(\*\*) Term: **15 Years**  
(21) Appl. No.: **29/717,523**  
(22) Filed: **Dec. 18, 2019**  
(51) **LOC (13) Cl.** ..... **16-06**  
(52) **U.S. Cl.**  
USPC ..... **D16/325**  
(58) **Field of Classification Search**  
USPC ..... D16/300, 313–315, 317, 320, 321,  
D16/325–328, 330, 332, 334  
CPC ..... G02C 5/008; G02B 2027/0178  
See application file for complete search history.

(56) **References Cited**  
**U.S. PATENT DOCUMENTS**  
D774,123 S \* 12/2016 Chae ..... D16/313  
D783,080 S \* 4/2017 Garfias ..... D16/314  
D841,080 S \* 2/2019 Thixton ..... D16/325  
D881,264 S \* 4/2020 Jamin ..... D16/325  
D912,128 S \* 3/2021 Liang ..... D16/314

**OTHER PUBLICATIONS**  
Oakley OO9146 SI M Frame, posted at sunglasshut.com, posting date not given, [online], [site visited Jun. 8, 2021]. Available from

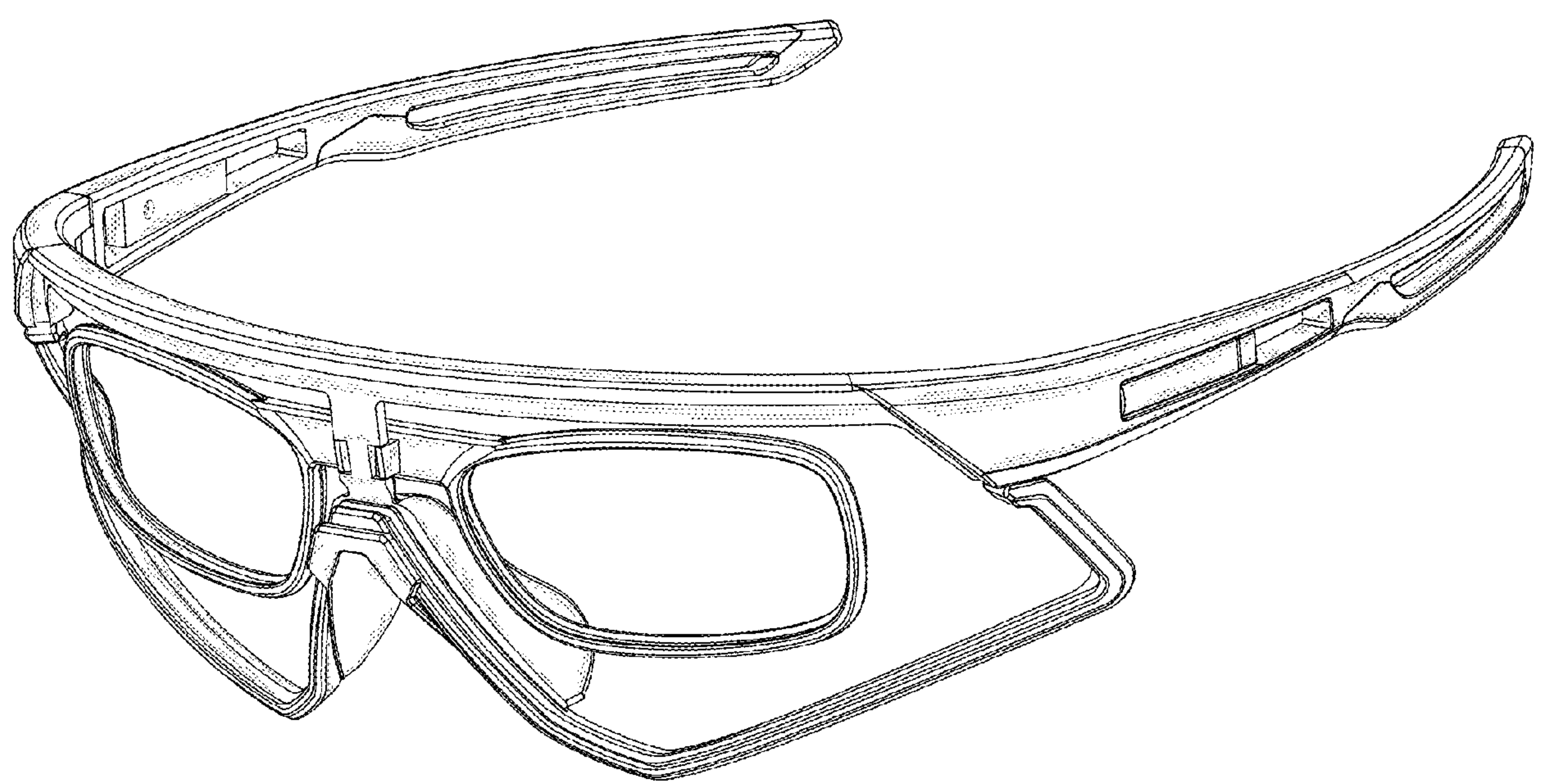
Internet, URL: <https://www.sunglasshut.com/us/oakley/oo9146-888392552341> (Year: 2021).\*  
RX Optical Insert Defender, posted at rudyproject.com, posting date not given, [online], [site visited Jun. 8, 2021]. Available from Internet, URL: <https://www.rudyproject.com/ww/en/products/rxoptical/rx-optical-insert-defender.html> (Year: 2021).\*  
Rx Polarized Sport Sunglasses Frame, posted at amazon.com, posting date Jul. 15, 2011, [online], [site visited Jun. 8, 2021]. Available from Internet, URL: <https://www.amazon.com/Rapid-Eyewear-Sunglasses-Interchangeable-Protection/dp/B005CX5ADC> (Year: 2011).\*

\* cited by examiner  
*Primary Examiner* — Maria J. Edwards  
(74) *Attorney, Agent, or Firm* — W&KIP

(57) **CLAIM**  
The ornamental design for cycling glasses, as shown and described.

**DESCRIPTION**  
FIG. 1 is a perspective view of cycling glasses showing my new design;  
FIG. 2 is a front elevational view thereof;  
FIG. 3 is a rear elevational view thereof;  
FIG. 4 is a left elevational view thereof;  
FIG. 5 is a right elevational view thereof;  
FIG. 6 is a top plan view thereof; and,  
FIG. 7 is a bottom plan view thereof.

**1 Claim, 7 Drawing Sheets**



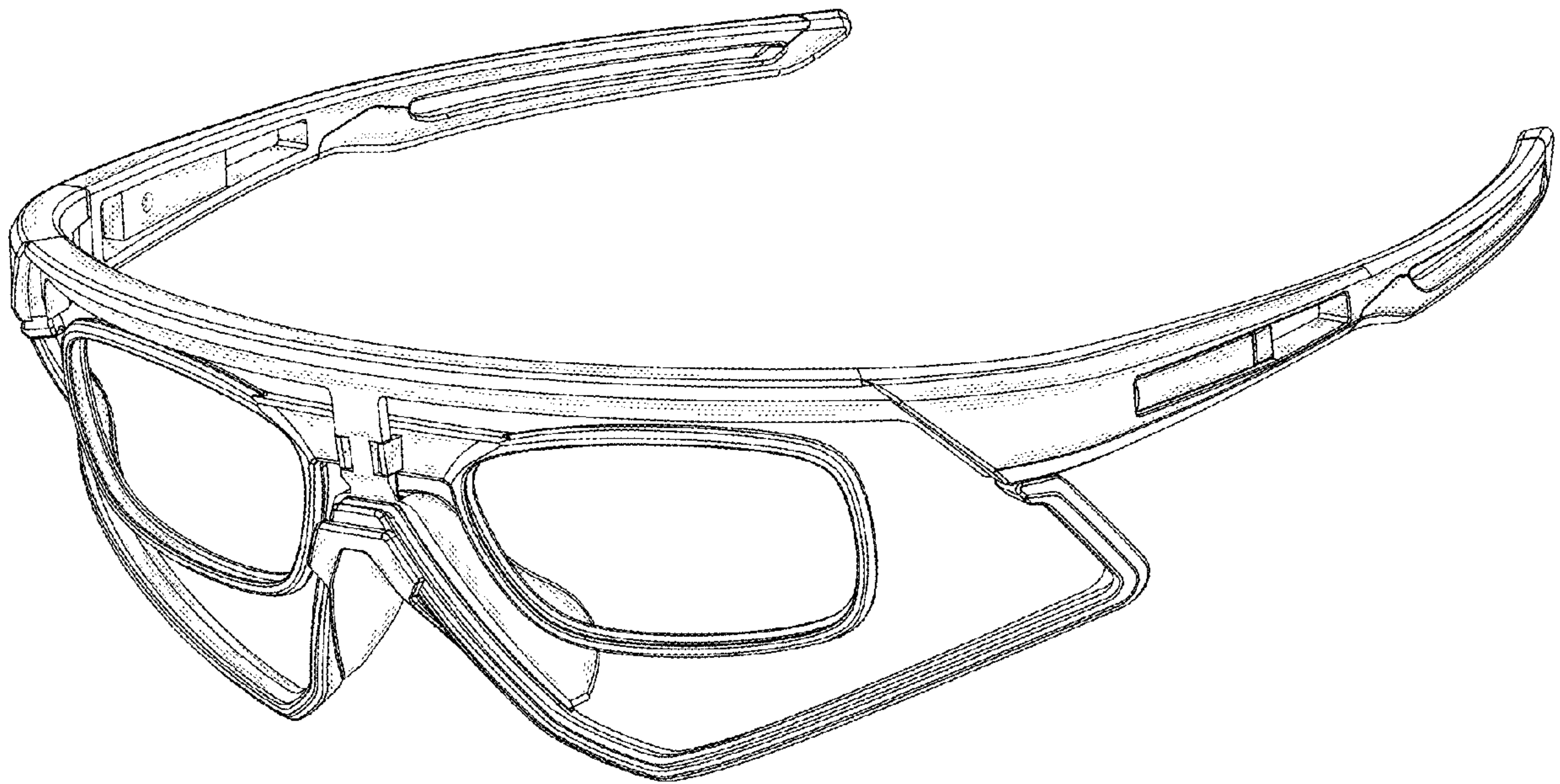


FIG. 1

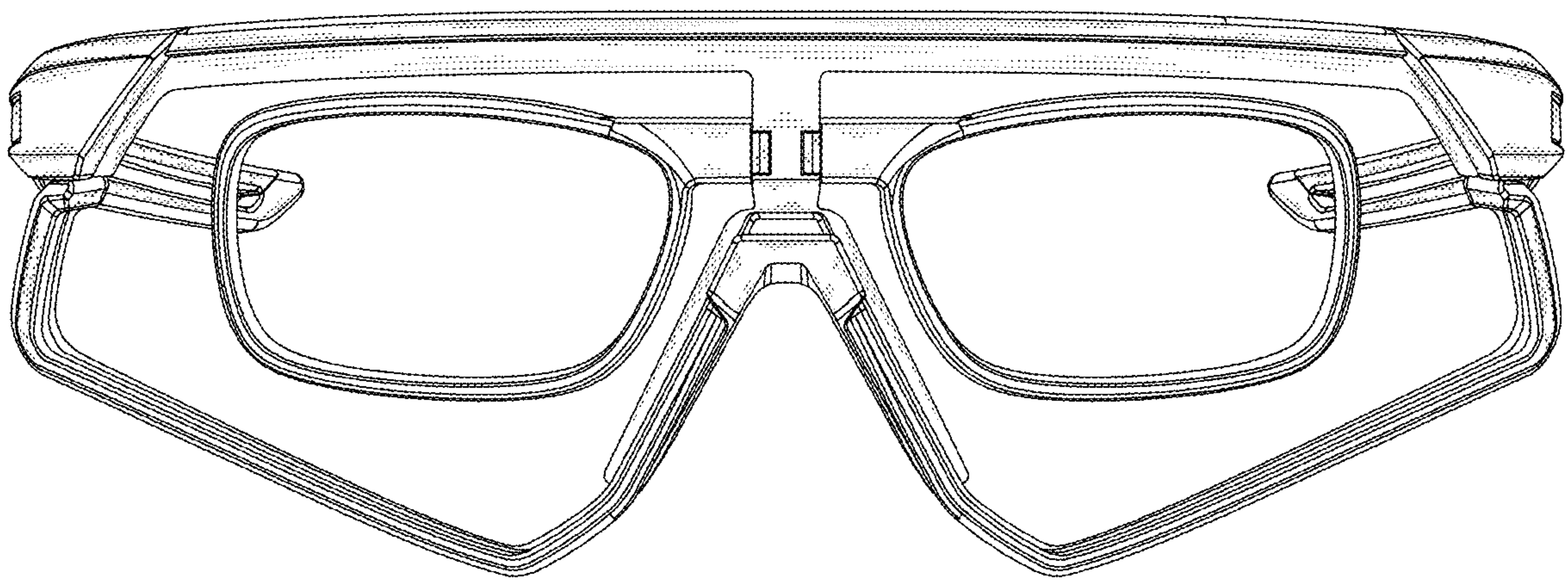


FIG.2



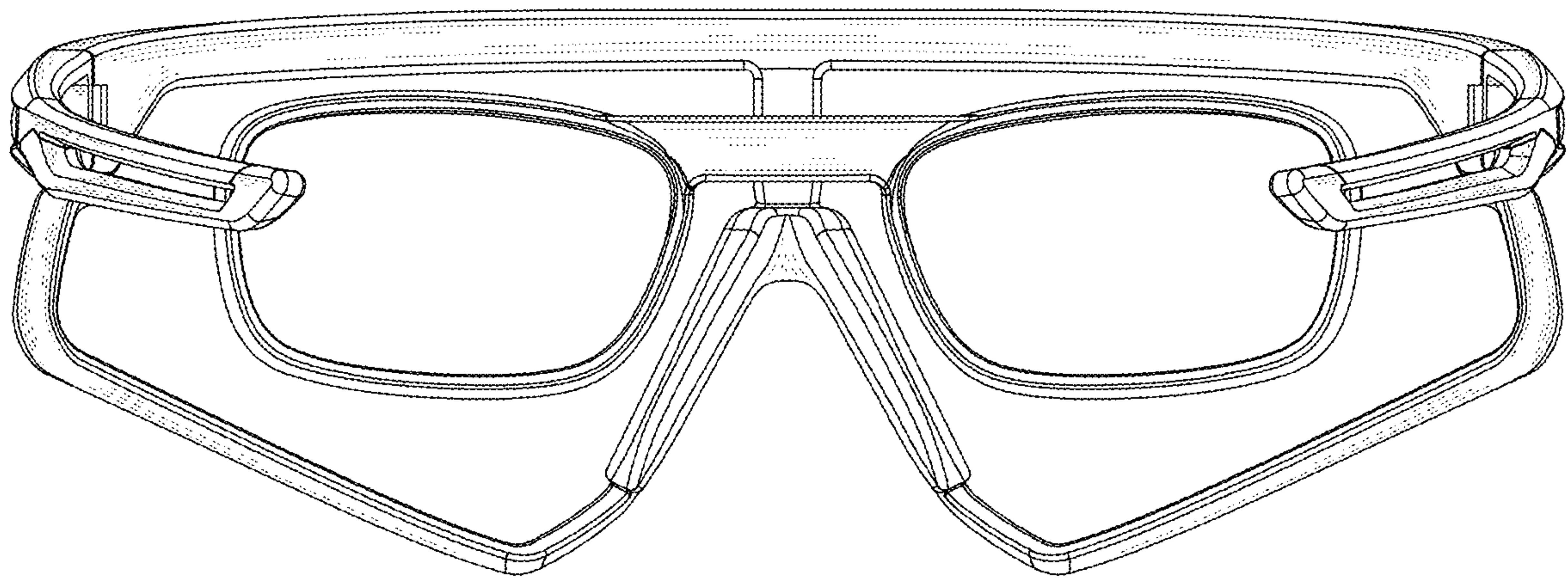


FIG. 3

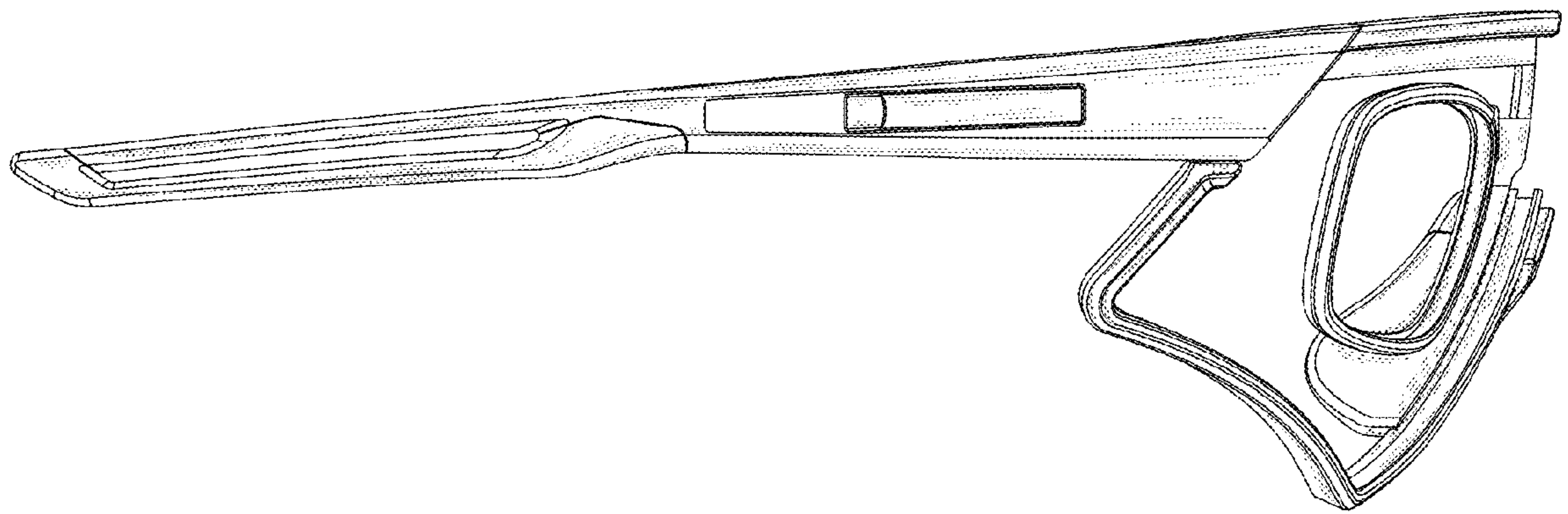


FIG. 4

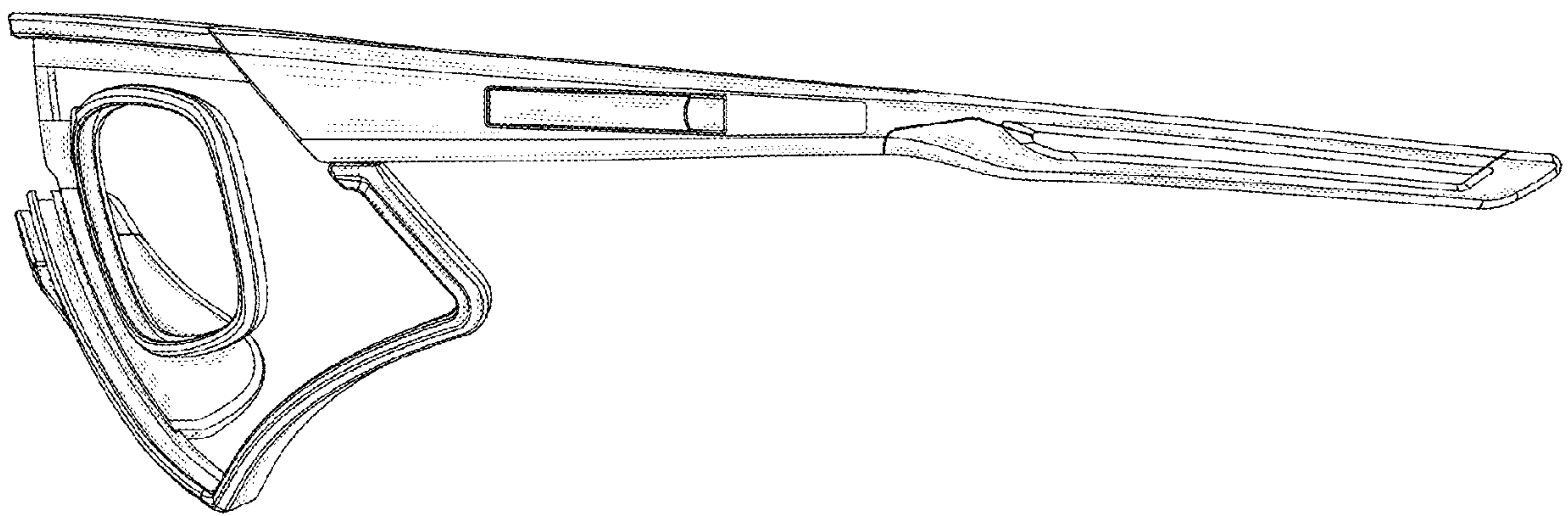


FIG. 5



FIG.6



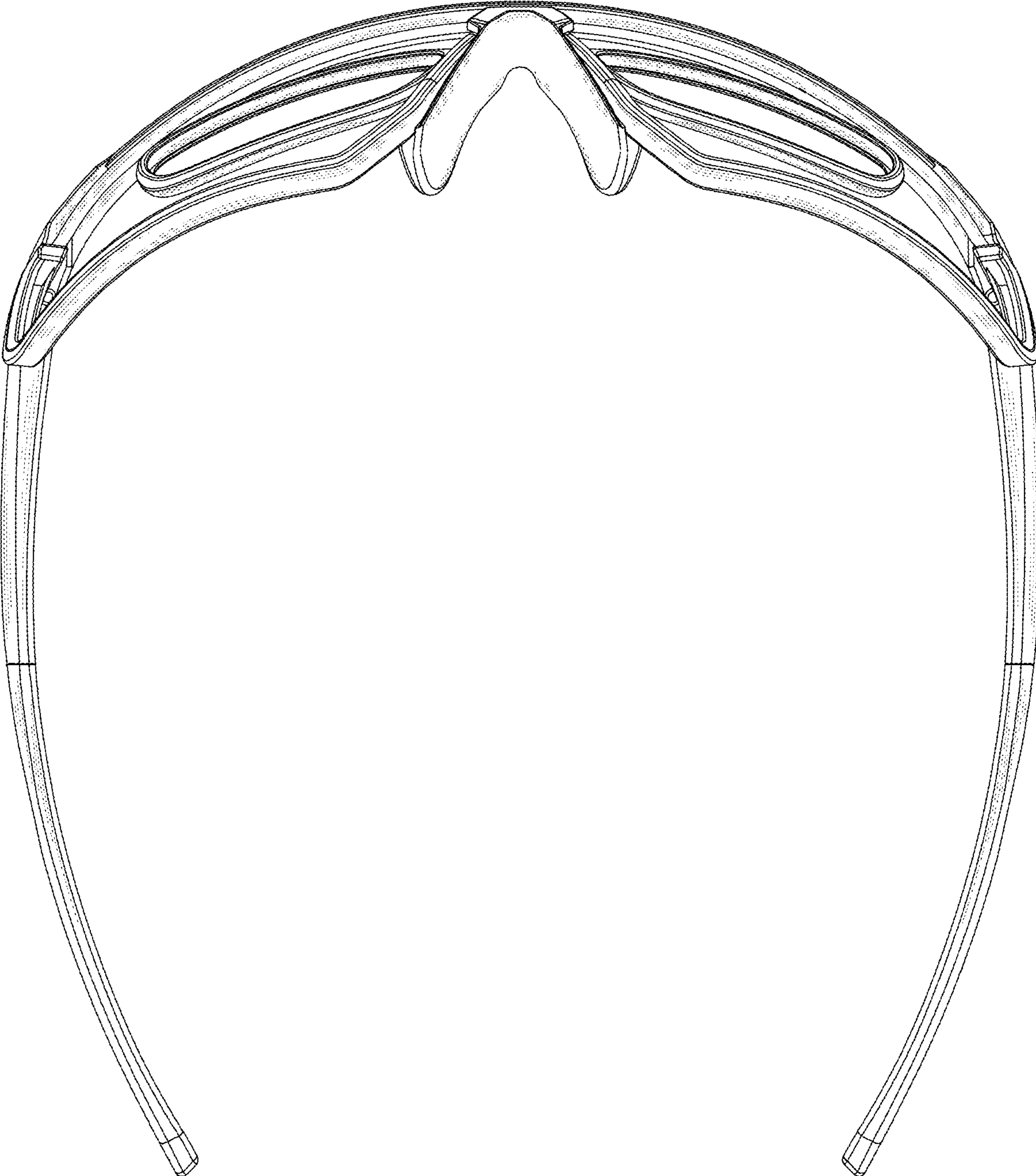


FIG. 7