



US00D954801S

(12) **United States Design Patent** (10) **Patent No.:** **US D954,801 S**
Gong (45) **Date of Patent:** **** Jun. 14, 2022**

(54) **GLASSES**

(71) Applicant: **Xiamen Situosen Trading Co., Ltd.**,
Xiamen (CN)

(72) Inventor: **Jiqiang Gong**, Xiamen (CN)

(**) Term: **15 Years**

(21) Appl. No.: **29/778,169**

(22) Filed: **Apr. 12, 2021**

(51) **LOC (13) Cl.** **16-06**

(52) **U.S. Cl.**
USPC **D16/314**

(58) **Field of Classification Search**
USPC D16/300, 313, 315, 319, 320, 321, 325,
D16/326, 327, 329, 314
CPC . G02C 1/06; G02C 7/10; G02C 5/008; G02C
7/02; G02C 1/04
See application file for complete search history.

Internet , URL: <https://www.amazon.com/KAPVOE-Polarized-Sunglasses-Mountain-Motorcycle/dp/B097Y78Q2Q?th=1> (Year: 2021).*

KAPVOE Photochromic Cycling Glasses, posted at amazon.com, posting date Jul. 16, 2021, [online], [site visited Dec. 7, 2021]. Available from Internet, URL: <https://www.amazon.com/KAPVOE-Photochromic-Mountain-Transition-Bicycle-Sunglasses/dp/B099NKQN2Z> (Year: 2021).*

ROCKBROS Polarized Sunglasses, posted at amazon.com, posting date Dec. 10, 2020, [online], [site visited Dec. 7, 2021]. Available from Internet, URL: <https://www.amazon.com/ROCKBROS-Polarized-Sunglasses-Cycling-Protection/dp/B08Q7PNT37> (Year: 2020).* <https://www.aliexpress.com/item/1005001625305830.html>; Mar. 12, 2021.

https://www.amazon.com/dp/B08YQTS84?ref=myi_title_dp; Mar. 12, 2021.

* cited by examiner

Primary Examiner — Maria J. Edwards
(74) *Attorney, Agent, or Firm* — Rumit Ranjit Kanakia

(56) **References Cited**

U.S. PATENT DOCUMENTS

D653,697 S	2/2012	Taylor et al.	
D653,698 S	2/2012	Taylor et al.	
D774,590 S	12/2016	Thixton	
D775,685 S	1/2017	Rouayroux et al.	
D783,080 S	4/2017	Garfias	
D846,626 S	4/2019	Ekbladh	
D847,897 S *	5/2019	Kim	D16/330
D889,530 S *	7/2020	Boinnard	D16/313
D901,581 S *	11/2020	Zhang	D16/314
D910,741 S *	2/2021	Deyue	D16/314
D918,290 S *	5/2021	Le	D16/314
D920,423 S *	5/2021	Zhang	D16/314
D922,473 S *	6/2021	Gong	D16/314

OTHER PUBLICATIONS

KAPVOE Cycling Glasses, posted at amazon.com, posting date Mar. 12, 2021, [online], [site visited Dec. 7, 2021]. Available from

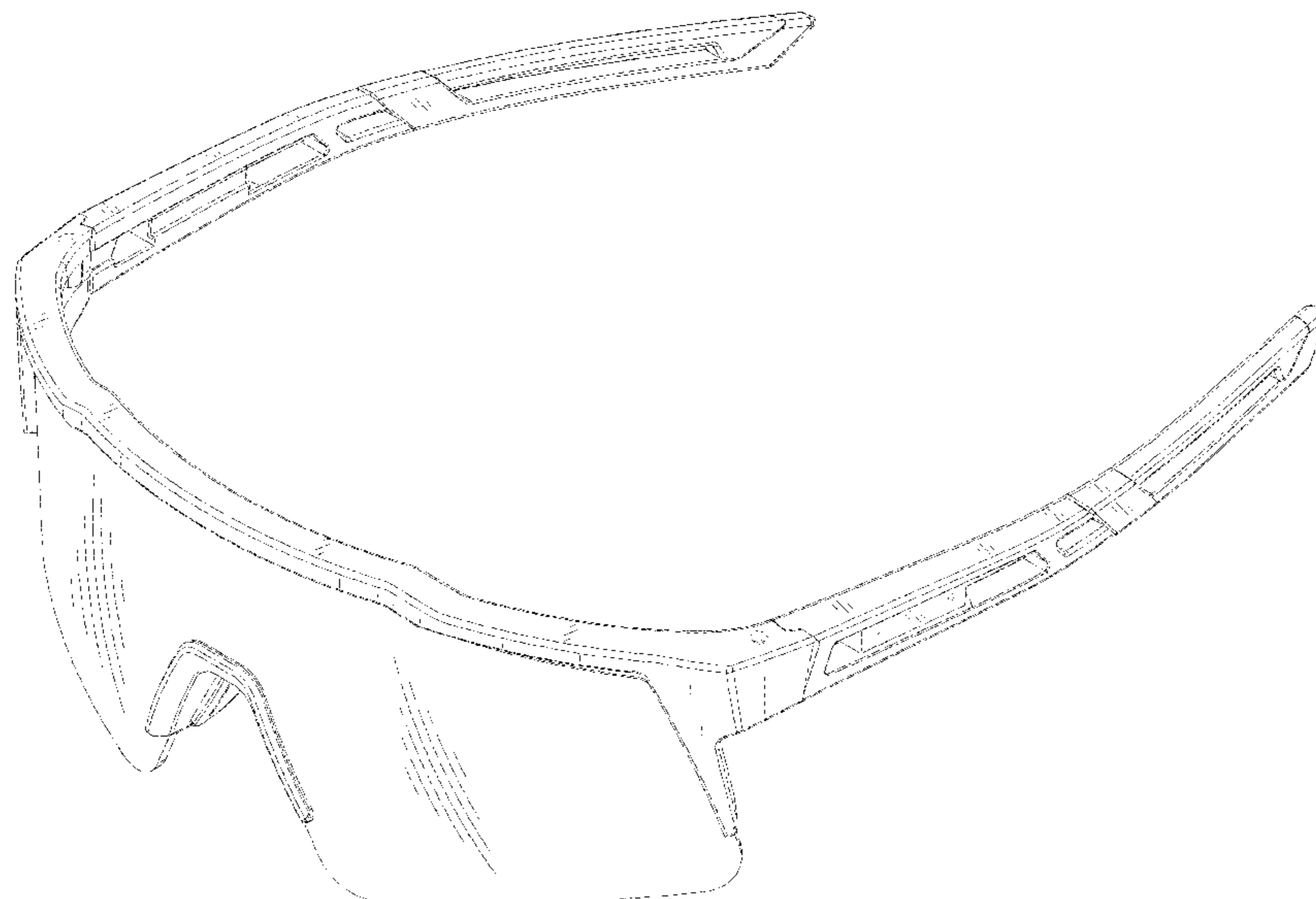
(57) **CLAIM**

I claim the ornamental design for a glasses, as shown and described.

DESCRIPTION

FIG. 1 is a Perspective view of a glasses showing my new design;
FIG. 2 is a Front view thereof;
FIG. 3 is a Back view thereof;
FIG. 4 is a Right-side view thereof;
FIG. 5 is a Left-side view thereof;
FIG. 6 is a Top view thereof; and,
FIG. 7 is a Bottom view thereof.
The broken lines in the drawings depict portions of the glasses that form no part of the claimed design.

1 Claim, 6 Drawing Sheets



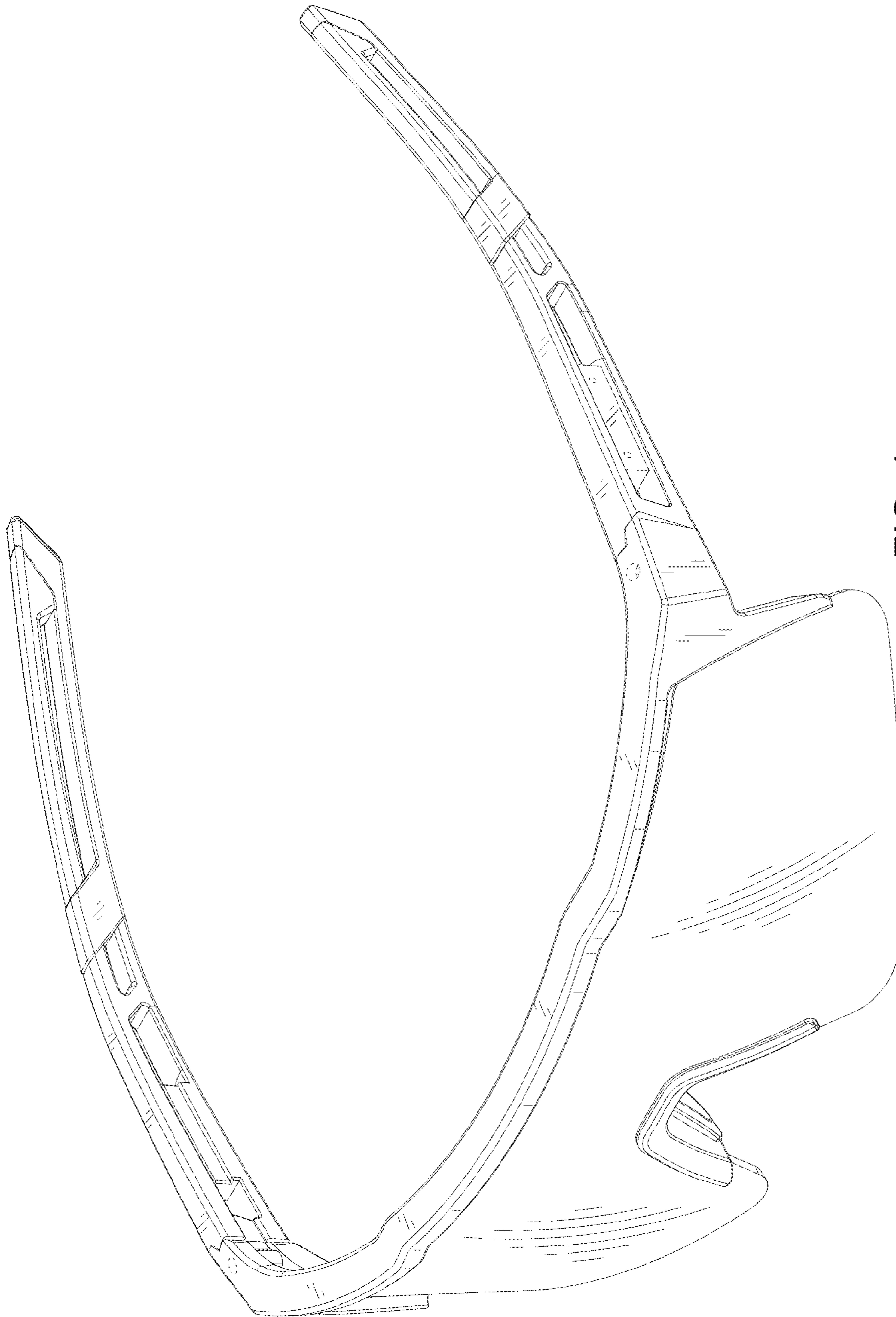


FIG. 1

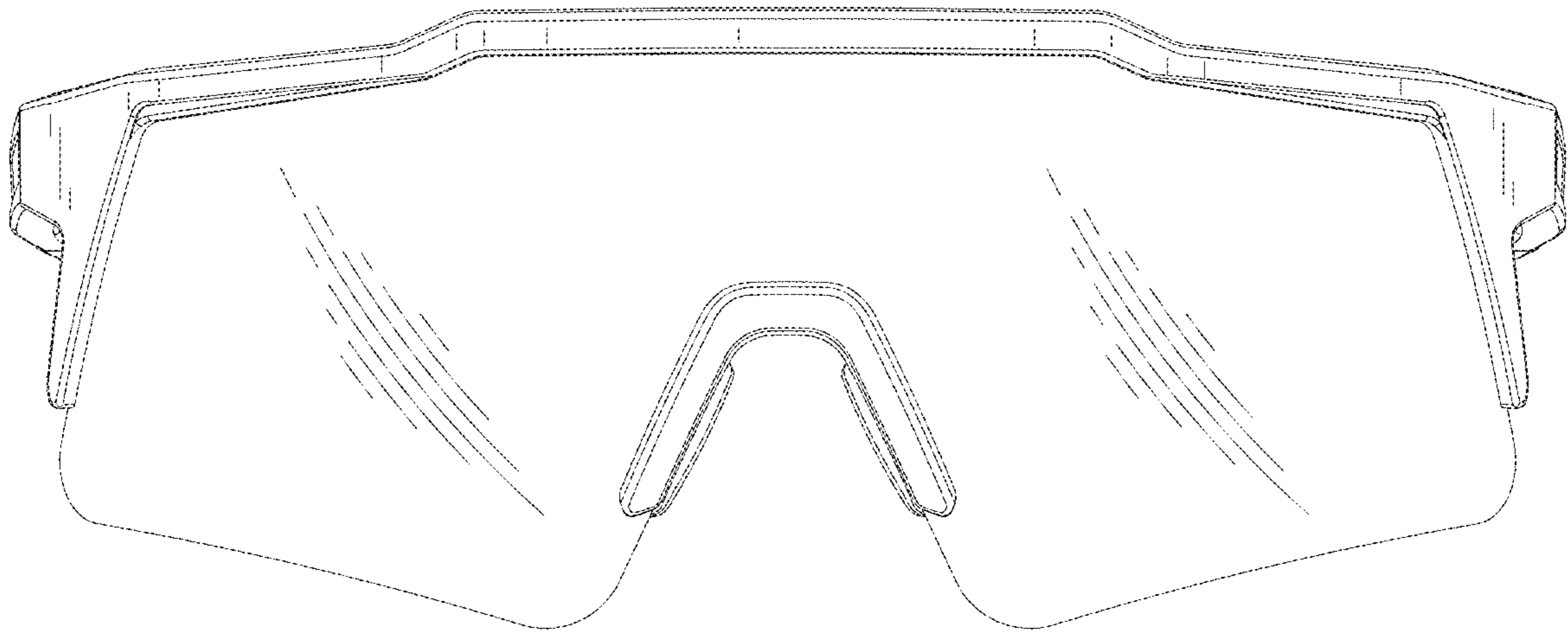


FIG. 2

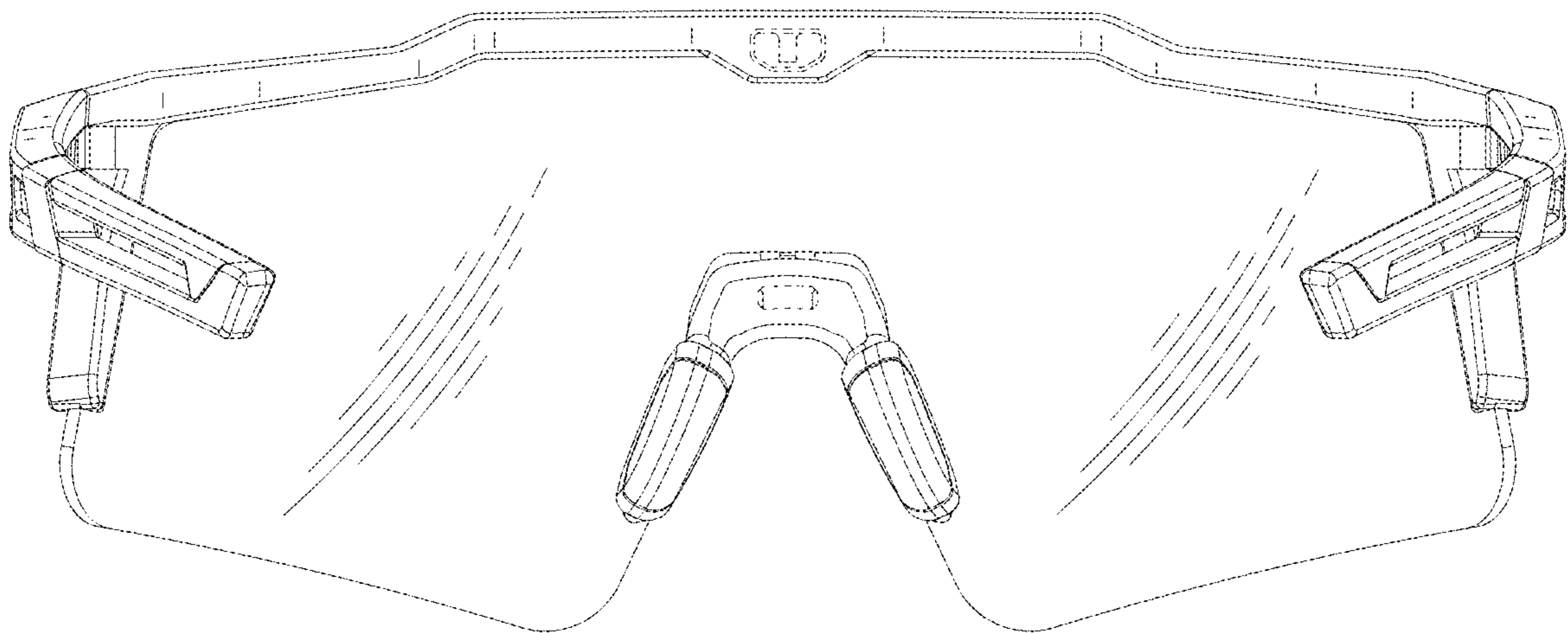


FIG. 3

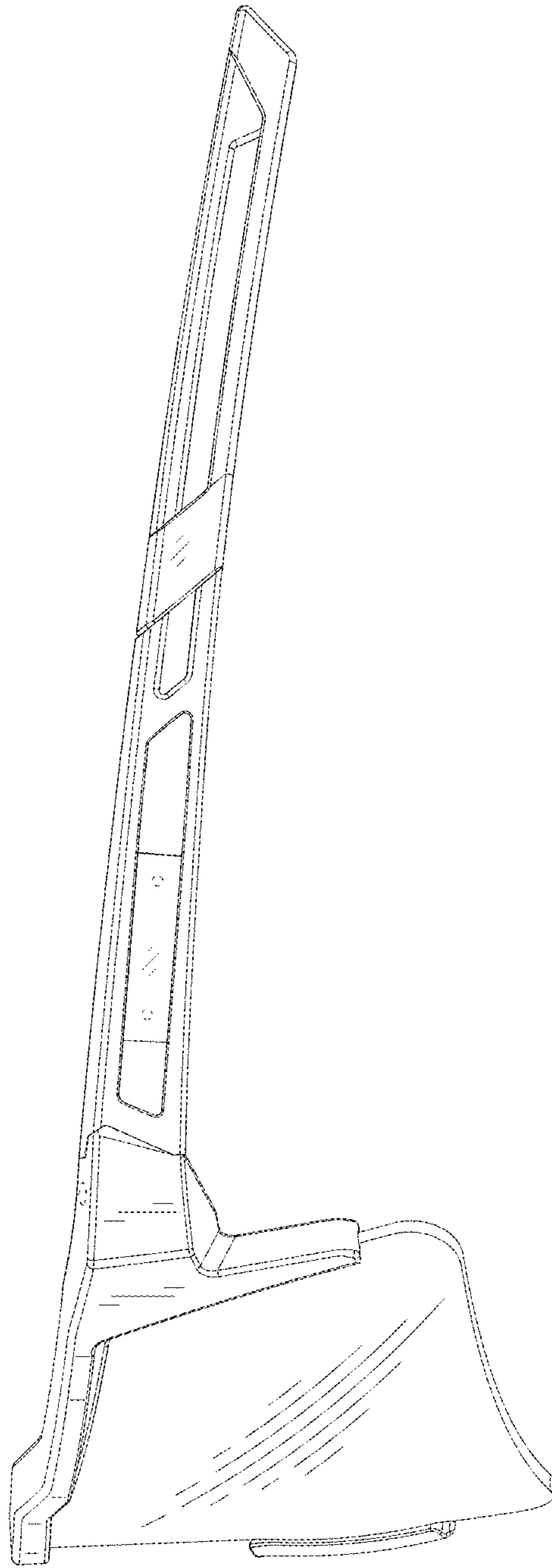


FIG. 4

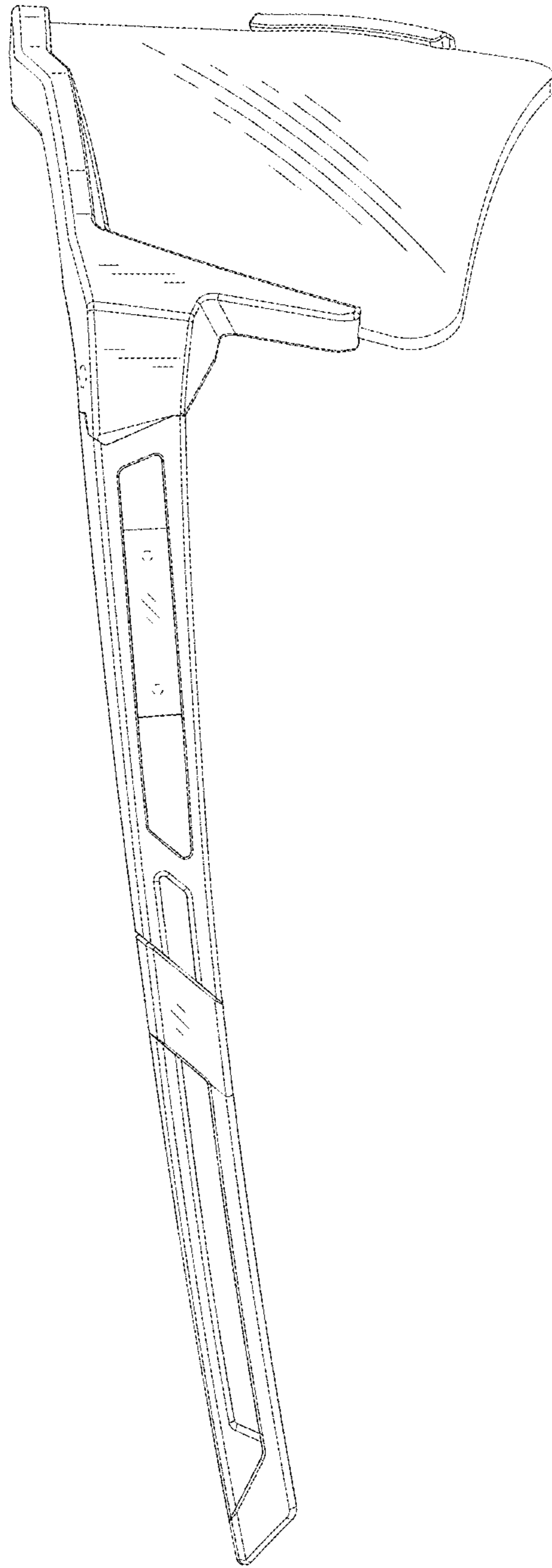


FIG. 5

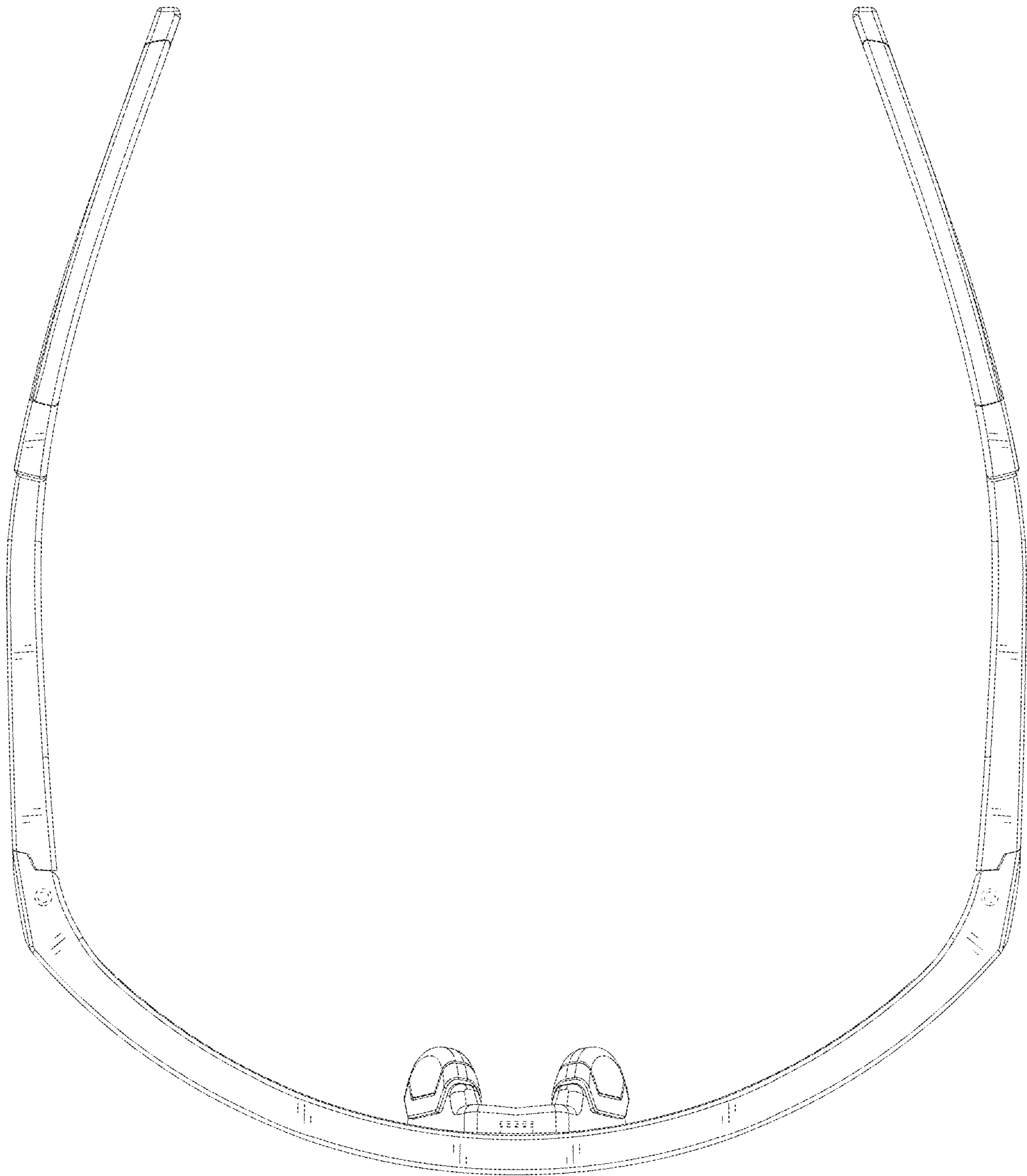


FIG. 6

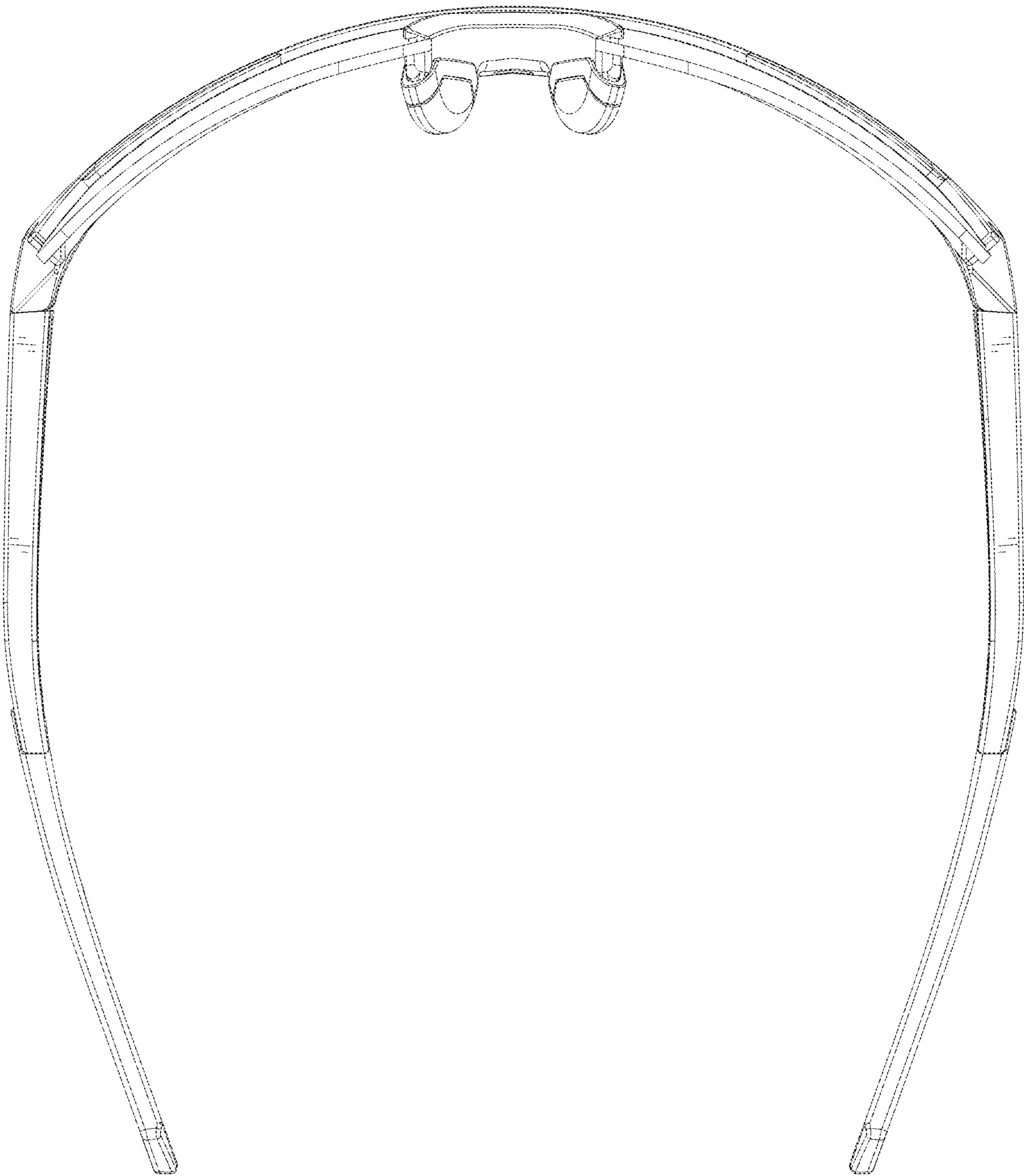


FIG. 7