



US00D954788S

(12) **United States Design Patent** (10) **Patent No.:** **US D954,788 S**
Natsume et al. (45) **Date of Patent:** **** Jun. 14, 2022**

(54) **HEAD-WORN DEVICE**

(71) Applicant: **Magic Leap, Inc.**, Plantation, FL (US)

(72) Inventors: **Shigeru Natsume**, Weston, FL (US);
William Wheeler, Fort Lauderdale, FL (US); **Sarah Hoit**, Fort Lauderdale, FL (US); **Haney Awad**, Fort Lauderdale, FL (US)

(73) Assignee: **Magic Leap, Inc.**, Plantation, FL (US)

(**) Term: **15 Years**

(21) Appl. No.: **29/730,137**

(22) Filed: **Apr. 1, 2020**

(51) **LOC (13) Cl.** **16-06**

(52) **U.S. Cl.**
USPC **D16/300**

(58) **Field of Classification Search**
USPC D16/300–302, 309, 313–315, 320, 321,
D16/325, 326
CPC G02C 7/10; G02C 1/04
See application file for complete search history.

(56) **References Cited**

U.S. PATENT DOCUMENTS

D141,204 S *	5/1945	Cooper, Jr.	D16/316
D243,844 S *	3/1977	Petschnikoff	D16/302
6,033,068 A *	3/2000	Spilkin	G02C 3/04
			351/112
D434,787 S *	12/2000	Spilkin	D16/300
D454,904 S *	3/2002	Marcuccilli	D16/302
D585,471 S *	1/2009	Thompson	D16/302
D733,789 S *	7/2015	Angerbauer	D16/302
D852,262 S *	6/2019	Ford Bratton	D16/302
D894,258 S *	8/2020	Dominguez	D16/326
D907,037 S *	1/2021	Natsume	D14/372
D909,462 S *	2/2021	Dominguez	D16/326
D913,362 S *	3/2021	Dominguez	D16/326
D916,948 S *	4/2021	Dominguez	D16/326
D922,475 S *	6/2021	Dominguez	D16/326

(Continued)

OTHER PUBLICATIONS

InSpatialRx Prescription Insert, posted at framesdirect.com, posting date not given, [online], [site visited Aug. 23, 2021]. Available from Internet, URL: <https://www.framesdirect.com/inspatialrx-prescription-insert.html> (Year: 2021).*

(Continued)

Primary Examiner — Maria J. Edwards

(74) *Attorney, Agent, or Firm* — Fish & Richardson P.C.

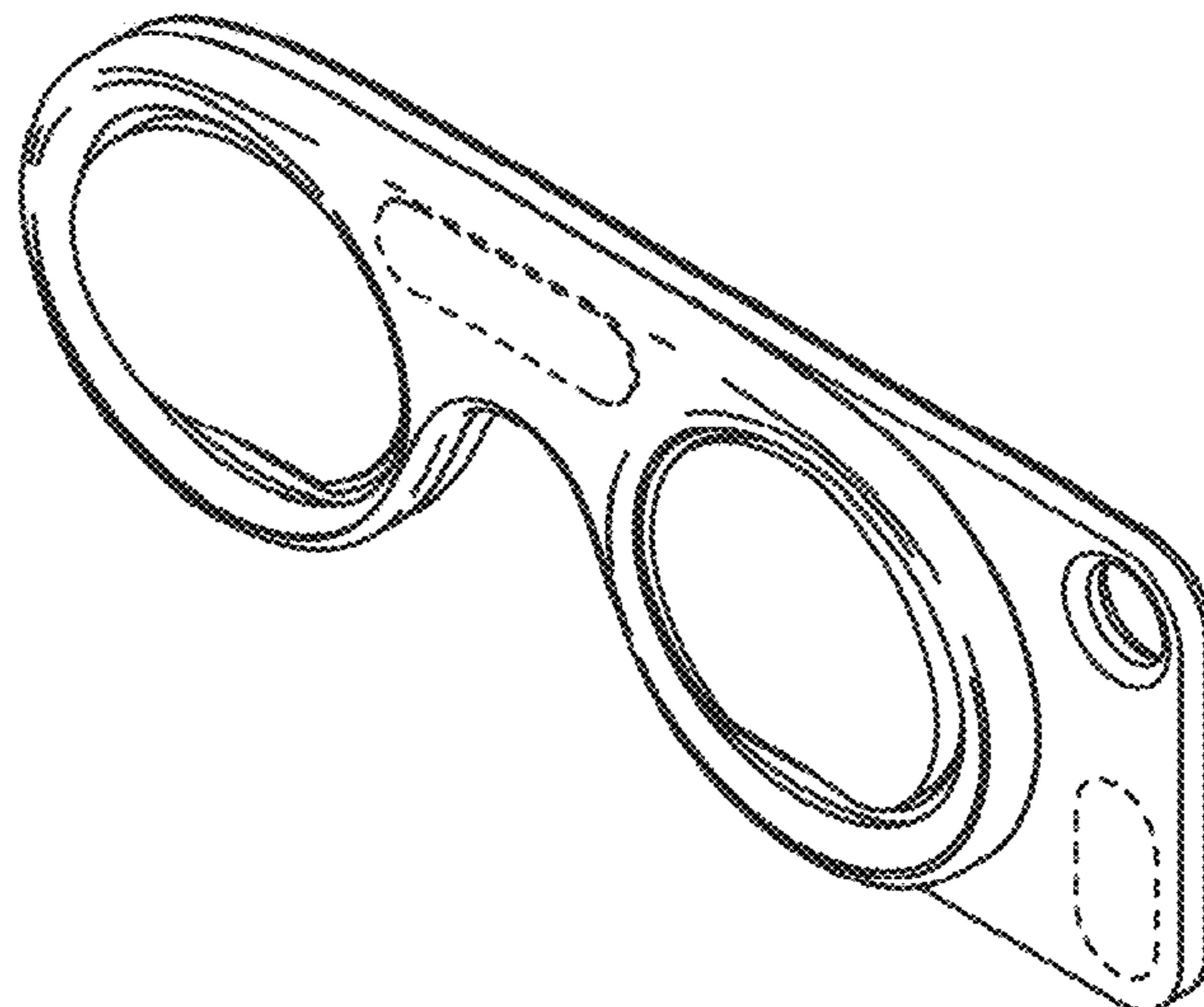
(57) **CLAIM**

The ornamental design for a head-worn device, as shown and described.

DESCRIPTION

FIG. 1 is a top perspective view of an assembled embodiment of the head-worn device;
FIG. 2 is front view thereof;
FIG. 3 is a back view thereof;
FIG. 4 is left side view thereof;
FIG. 5 is right side view thereof;
FIG. 6 is top view thereof;
FIG. 7 is bottom view thereof; and
FIG. 8 is a bottom perspective view thereof.
FIG. 9 is a top perspective view of an exploded embodiment of the head-worn device;
FIG. 10 is front view thereof;
FIG. 11 is a back view thereof;
FIG. 12 is left side view thereof;
FIG. 13 is right side view thereof;
FIG. 14 is top view thereof;
FIG. 15 is bottom view thereof; and,
FIG. 16 is a bottom perspective view thereof.
The broken lines illustrate portions of the article and form no part of the claimed design.

1 Claim, 11 Drawing Sheets



(56)

References Cited

U.S. PATENT DOCUMENTS

D922,476 S * 6/2021 Dominguez D16/326
D922,477 S * 6/2021 Dominguez D16/326
D926,868 S * 8/2021 Dominguez D16/326
2019/0187490 A1* 6/2019 Dominguez G02C 7/10

OTHER PUBLICATIONS

Tobii Pro Glasses 2 wearable eye tracker, posted at [tobii.com](https://www.tobii.com),
posting date not given, [online], [site visited Aug. 23, 2021].
Available from Internet, URL: [https://www.tobii.com/product-
listing/tobii-pro-glasses-2/](https://www.tobii.com/product-listing/tobii-pro-glasses-2/) (Year: 2021).*

* cited by examiner

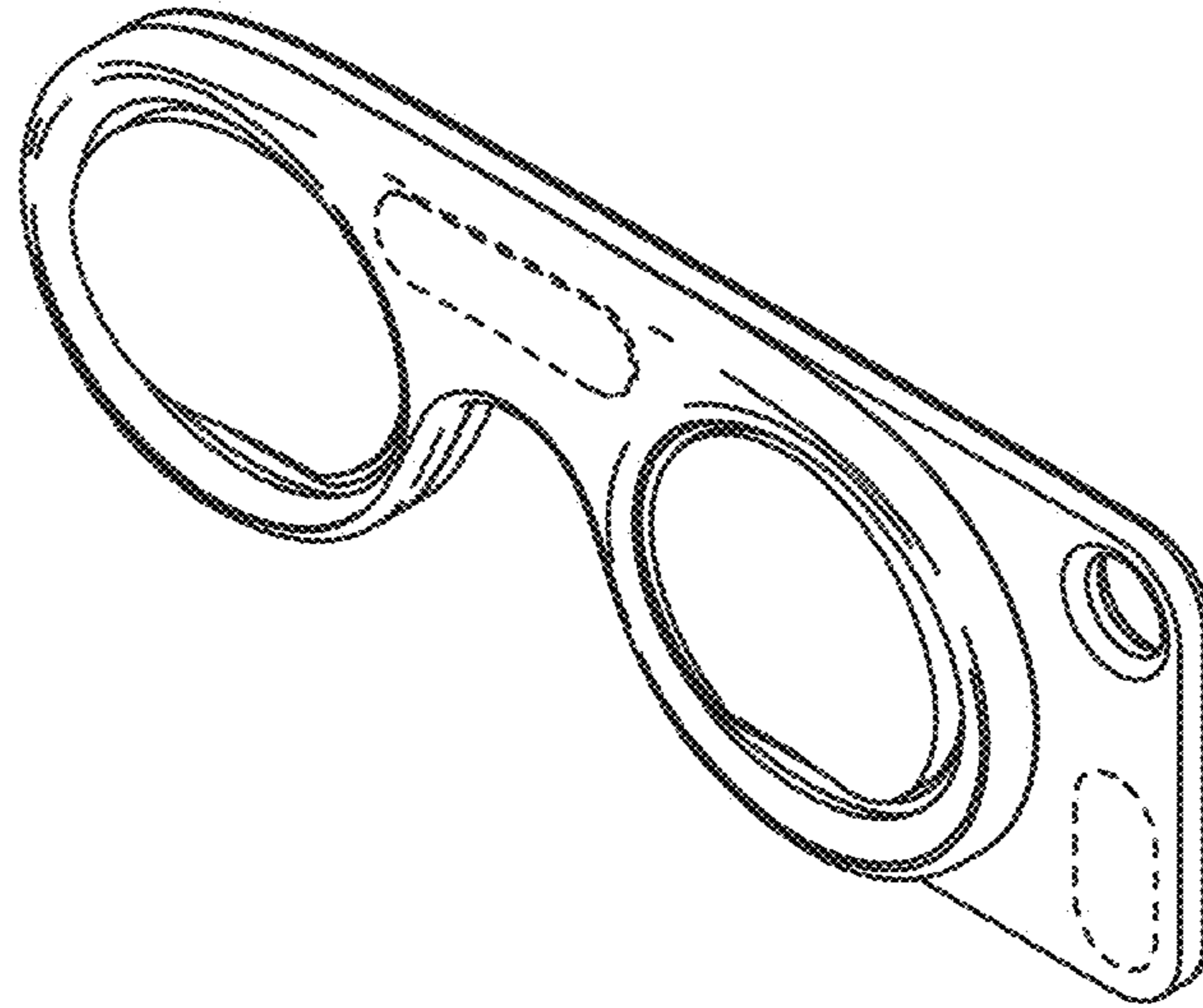


FIG. 1

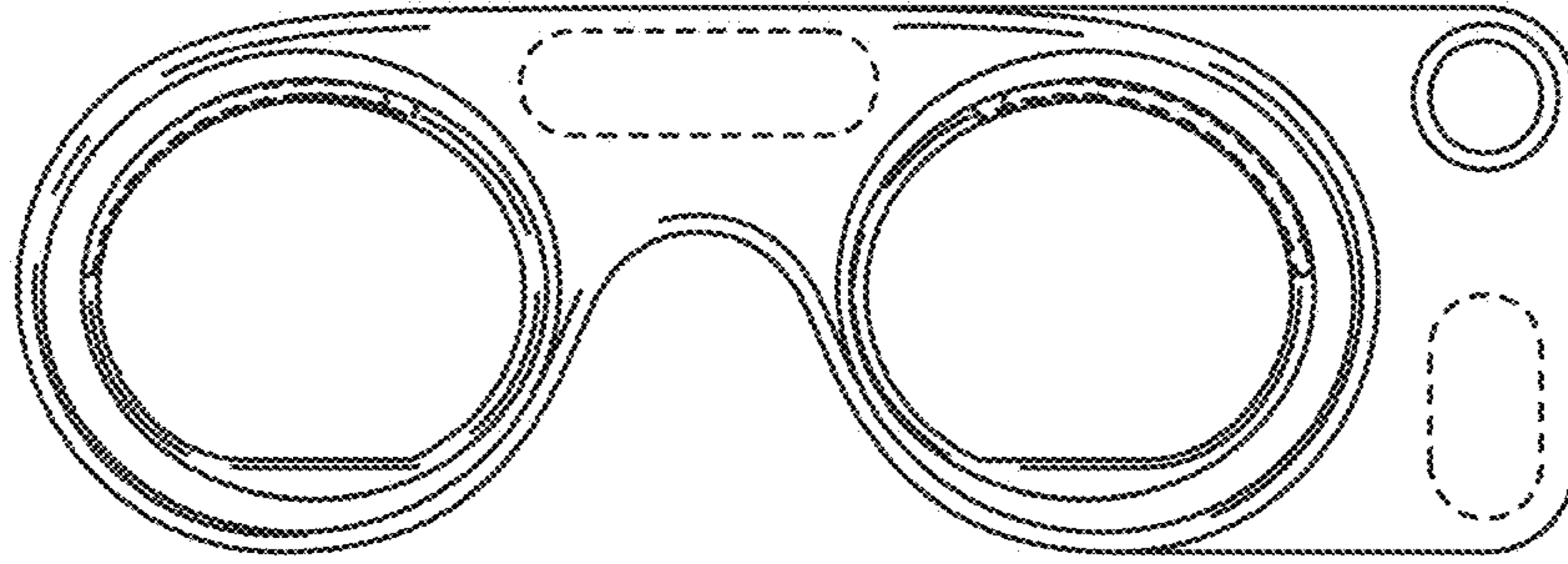


FIG. 2

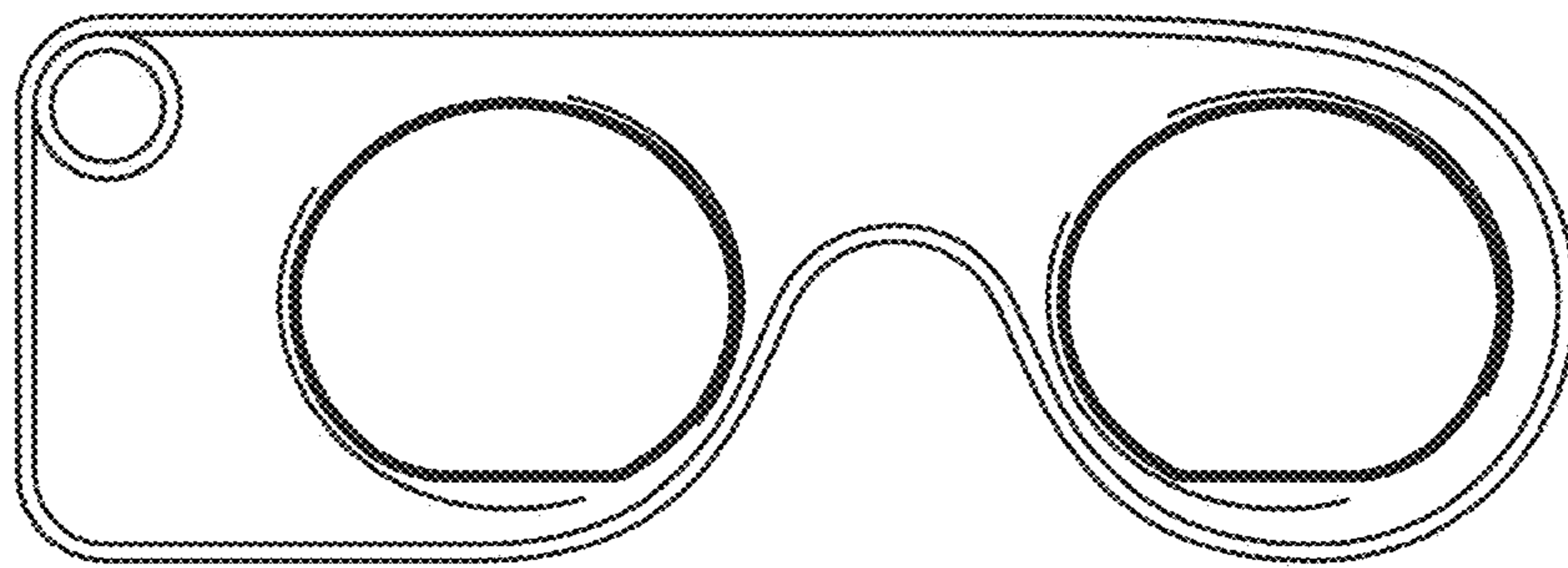


FIG. 3

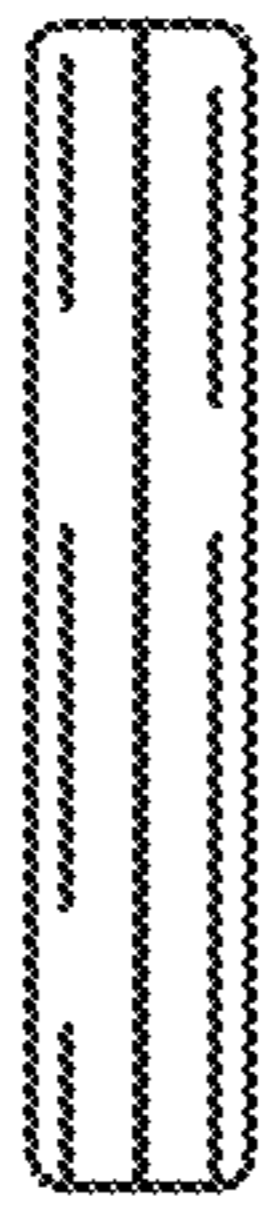


FIG. 4

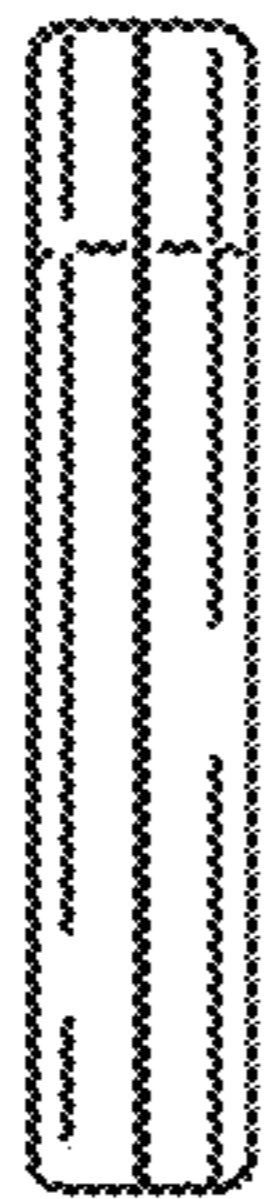


FIG. 5

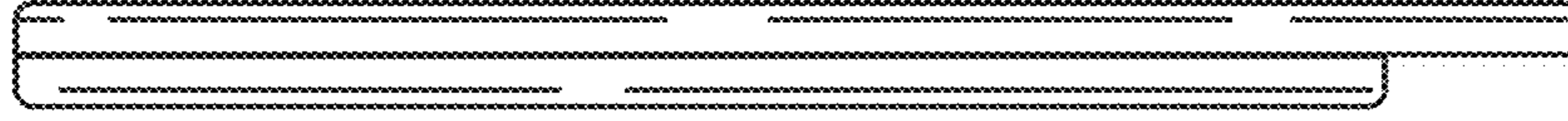


FIG. 6



FIG. 7

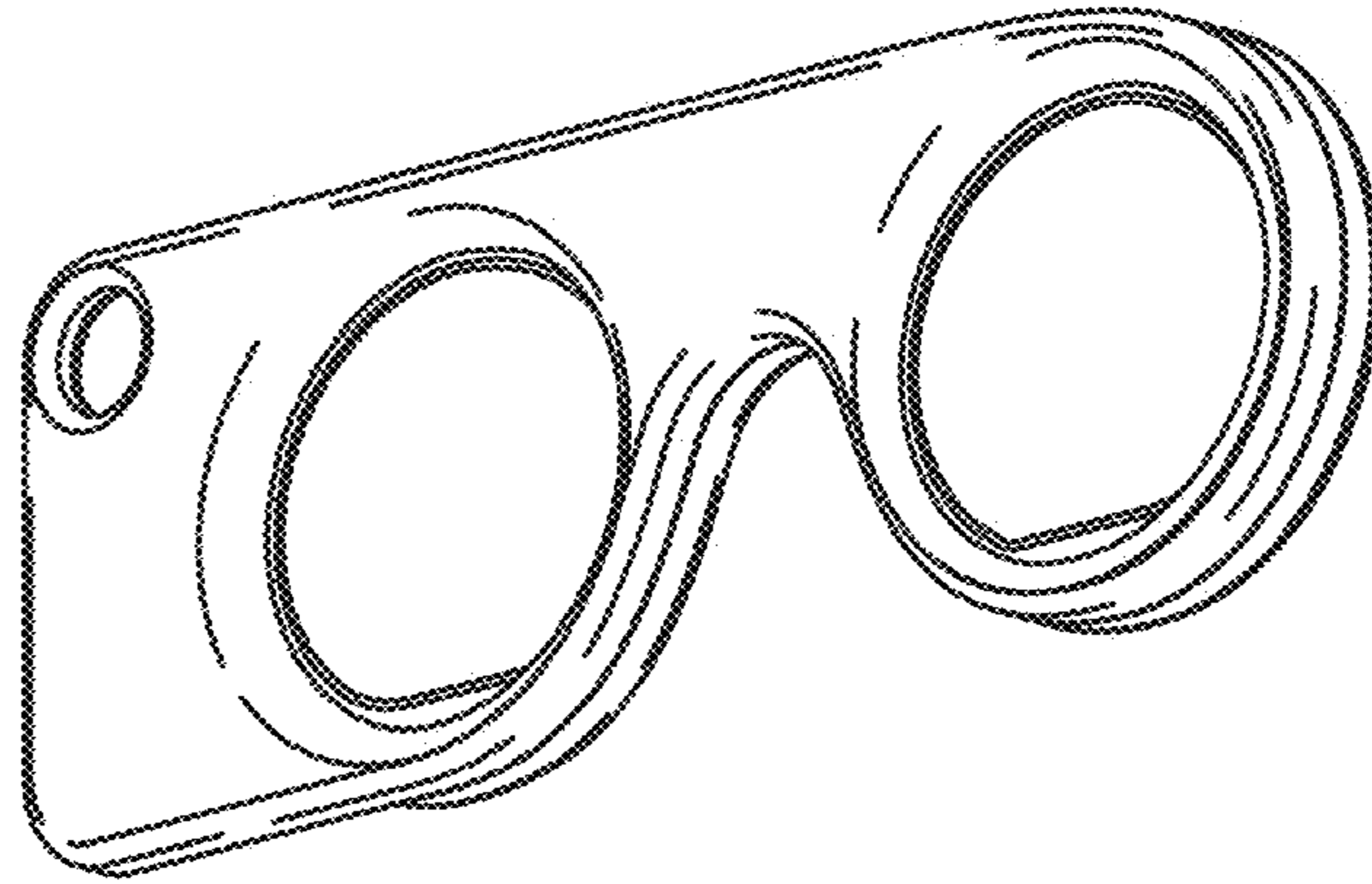


FIG. 8

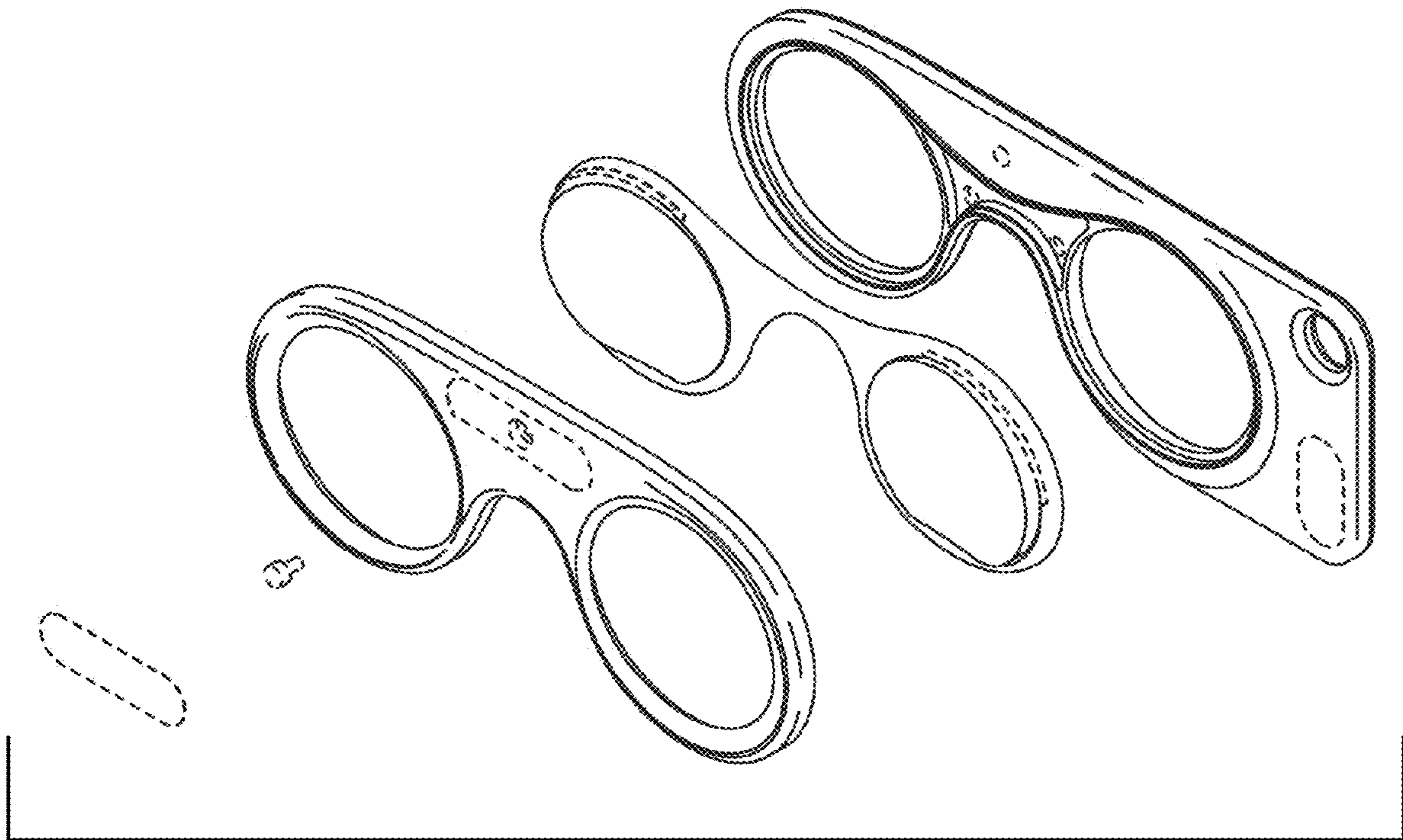


FIG. 9

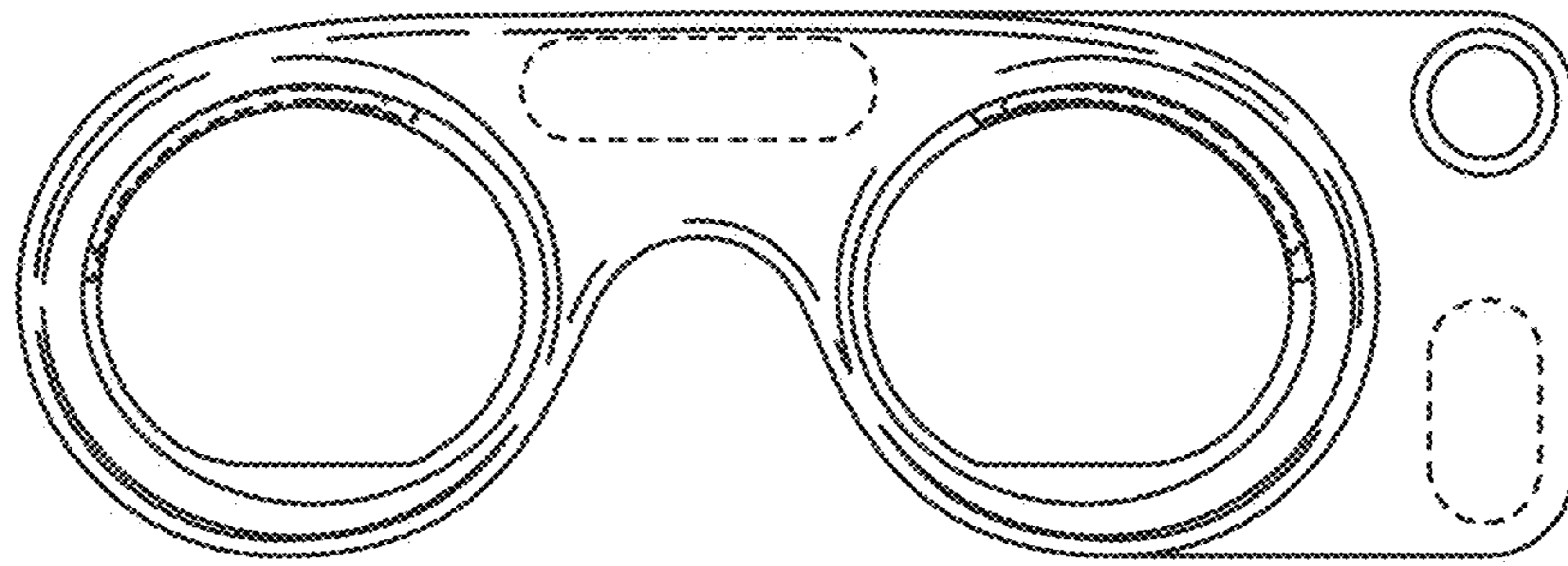


FIG. 10

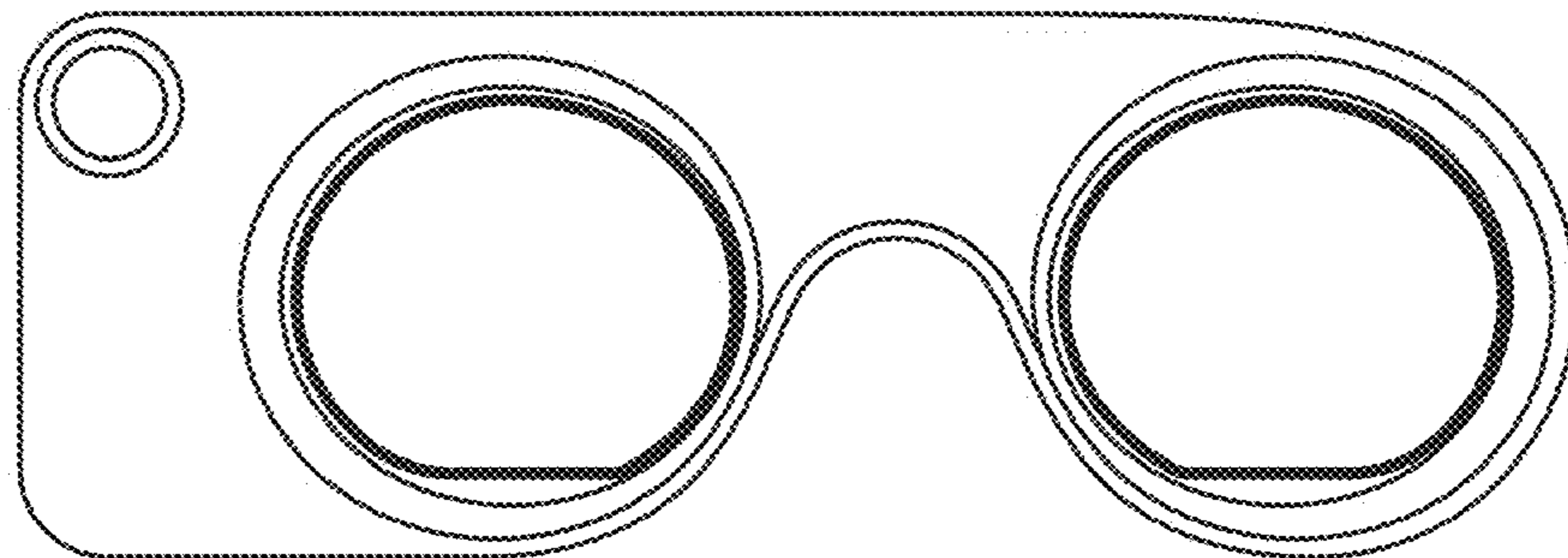


FIG. 11

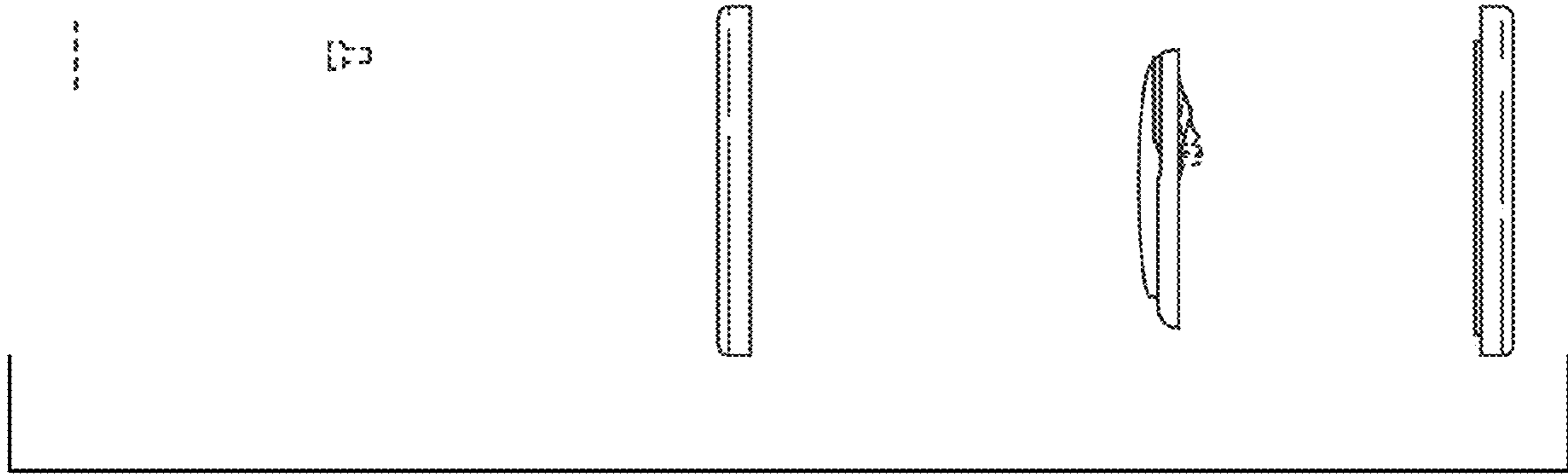


FIG. 12

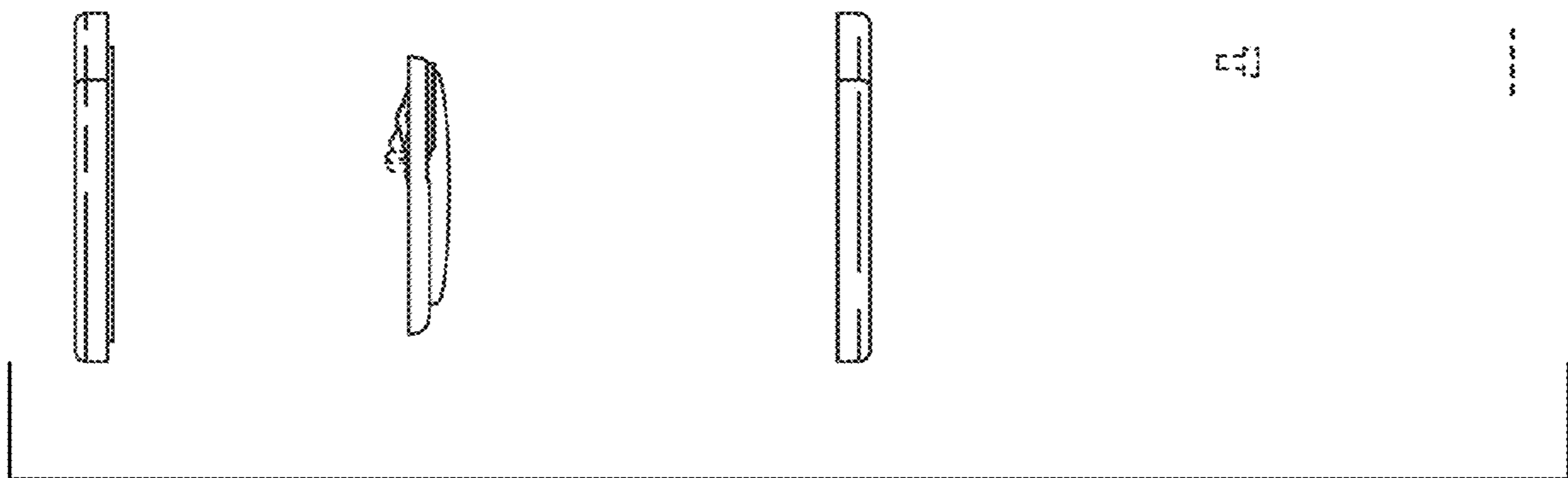


FIG. 13

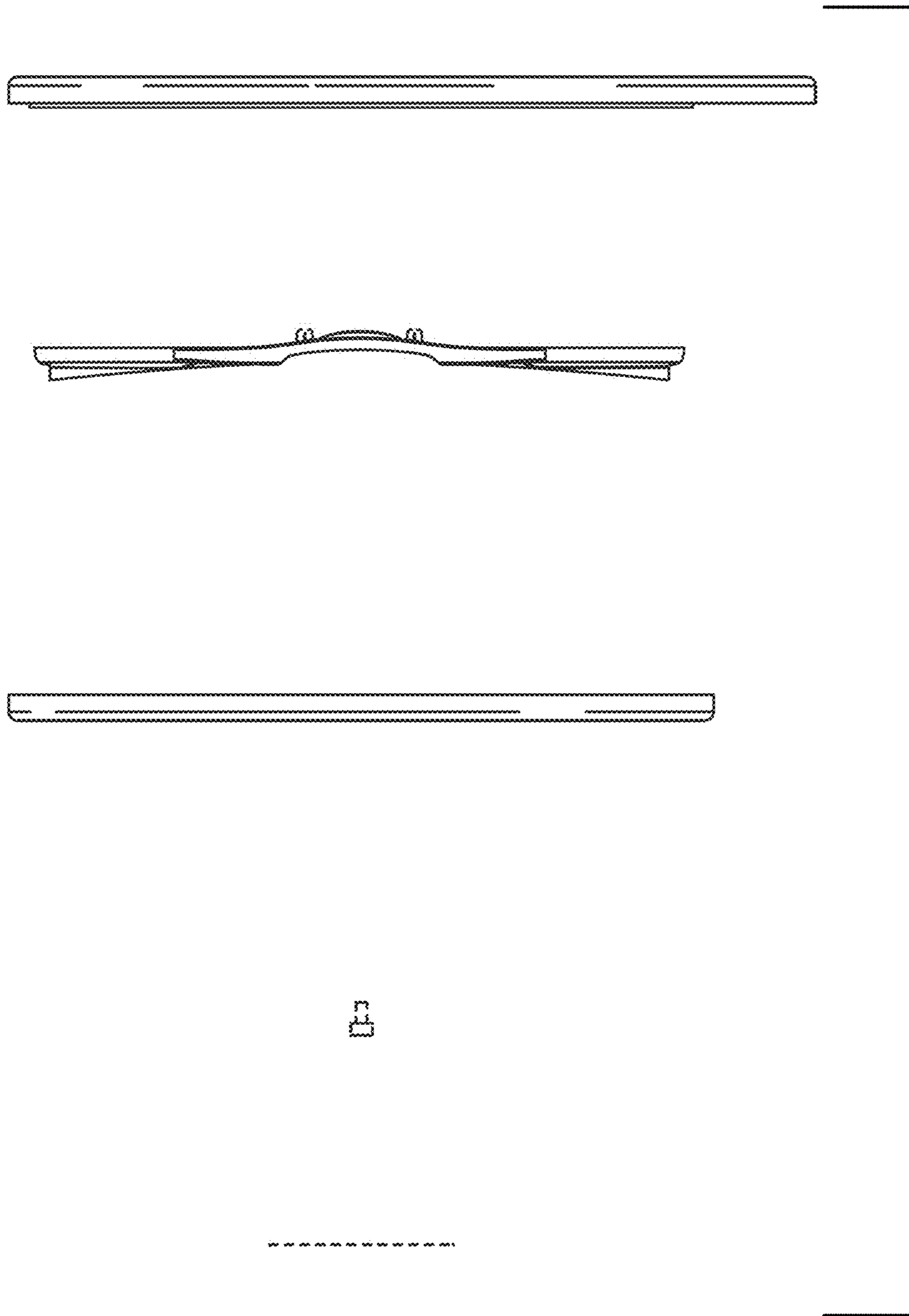


FIG. 14

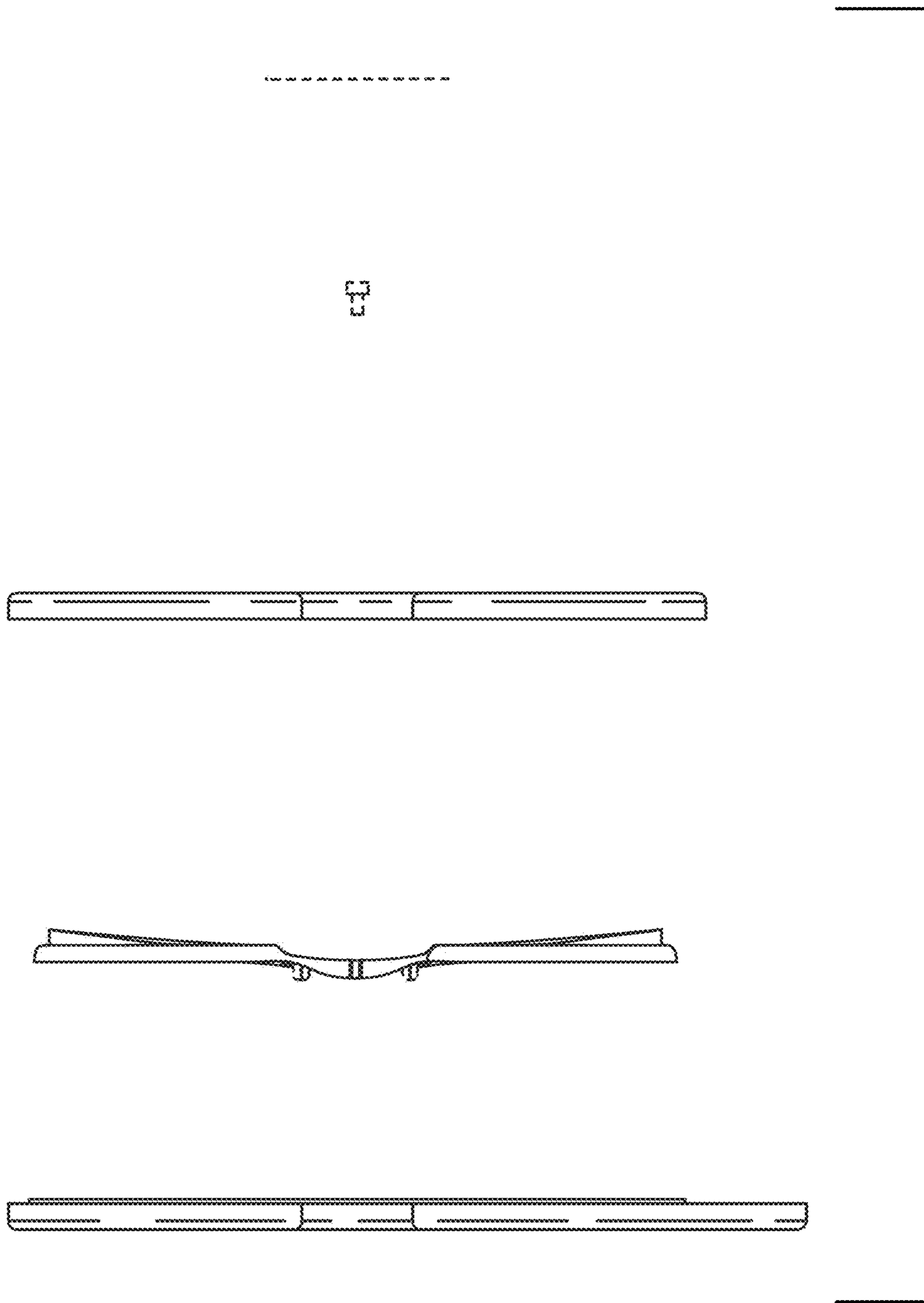


FIG. 15

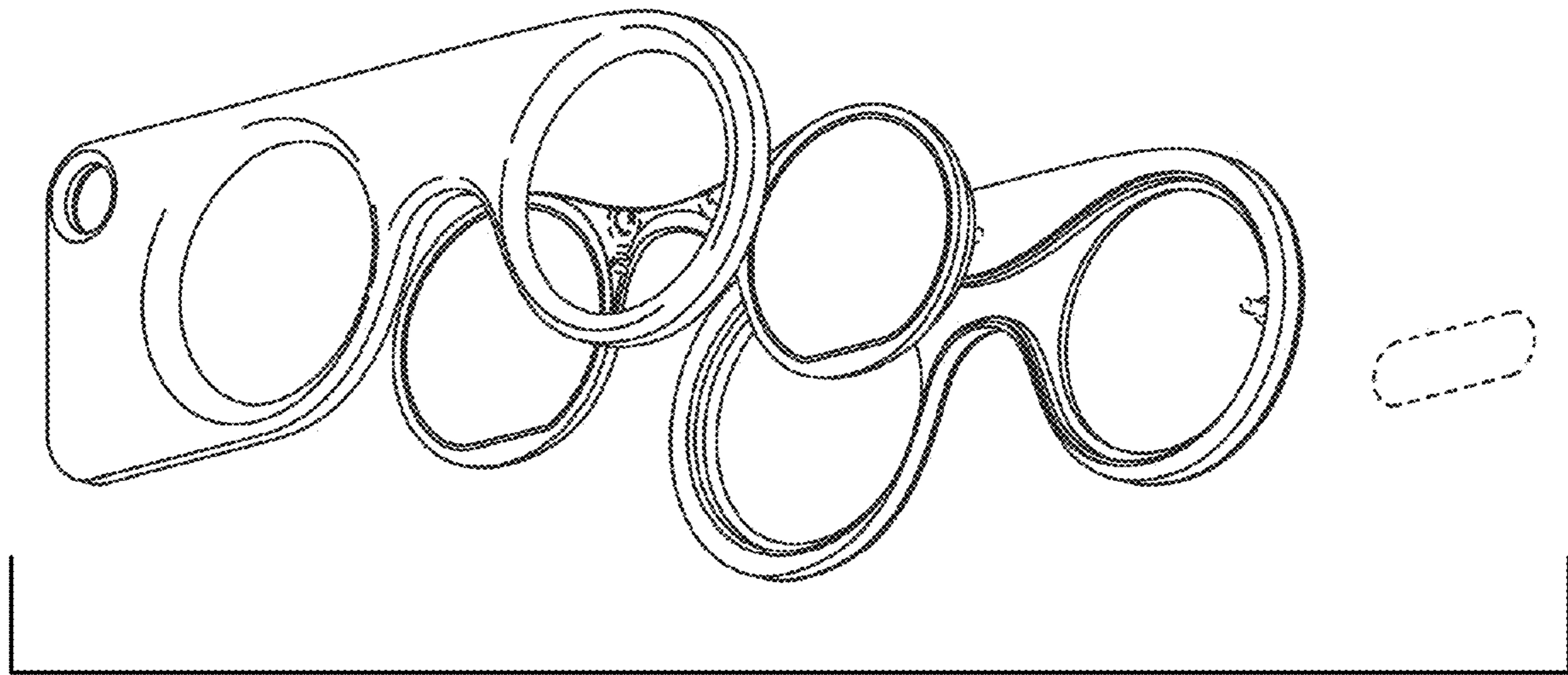


FIG. 16