



US00D954784S

(12) **United States Design Patent**  
**Zhang**

(10) **Patent No.:** **US D954,784 S**  
(45) **Date of Patent:** **\*\* Jun. 14, 2022**

(54) **CAMERA LENS PROTECTION DEVICE**

FOREIGN PATENT DOCUMENTS

(71) Applicant: **Ping Zhang**, Shenzhen (CN)

CN 307151647 \* 3/2022

(72) Inventor: **Ping Zhang**, Shenzhen (CN)

CN 307160363 \* 3/2022

EM 008802979-0002 \* 12/2021

(\*\*) Term: **15 Years**

OTHER PUBLICATIONS

(21) Appl. No.: **29/800,737**

“For iPhone 13 Mini 12 Pro Max 11 Bling Diamond Crystal Camera Lens Protector” from ebay.com, first retrieved on Apr. 6, 2022 from the internet <<https://www.ebay.com/itm/133973098545>> (Year: 2022).\*  
“[3 Pack] UniqueMe Camera Lens Protector Compatible with iPhone 13 Pro 6.1" /13 Pro Max 6.7" Tempered Glass,[Case Friendly] [New Version][Scratch-Resistant][Easy Installation]—Black Circle” from Amazon.com, first available Jul. 27, 2021 from the internet <<https://www.amazon.com/UniqueMe-Protector-Compatible-Scratch-Resistant-Installation/dp/B09B9QZ1RV/>> (Year: 2021).\*

(22) Filed: **Jul. 23, 2021**

(51) **LOC (13) Cl.** ..... **16-01**

(52) **U.S. Cl.**

USPC ..... **D16/237**; D16/200

(58) **Field of Classification Search**

USPC ..... D16/200–204, 207–208, 218–219, 237, D16/210; D10/46, 61, 62, 65, 70, 71, D10/104.1, 106.6, 106.7; D14/203.1, D14/204, 209.1, 496

CPC ..... G03B 15/03; G03B 17/02; G03B 17/04; G03B 17/56; G03B 19/04; H04N 7/141; H04N 7/142; H04N 7/147; H04N 7/148; H04N 7/15; H04N 7/152; H04N 5/2251; H04N 5/2252; H04N 5/2253; H04N 5/2254; H04N 5/23216; H04N 5/232939; H04N 2101/00; H04N 2007/145

See application file for complete search history.

(Continued)

*Primary Examiner* — Michelle E. Wilson

*Assistant Examiner* — Lacey Chey Bowman

(57)

**CLAIM**

The ornamental design for a camera lens protection device, as shown and described.

**DESCRIPTION**

FIG. 1 is a perspective view of a camera lens protection device showing my new design; FIG. 2 is another perspective view thereof; FIG. 3 is a front elevational view thereof; FIG. 4 is a rear elevational view thereof; FIG. 5 is a left side elevational view thereof; FIG. 6 is a right side elevational view thereof; FIG. 7 is a top plan view thereof; and FIG. 8 is a bottom plan view thereof; and, FIG. 9 is an enlarged view of portion 9 shown in FIG. 1. The broken lines represent boundaries of the enlarged portion and form no part of the claimed design.

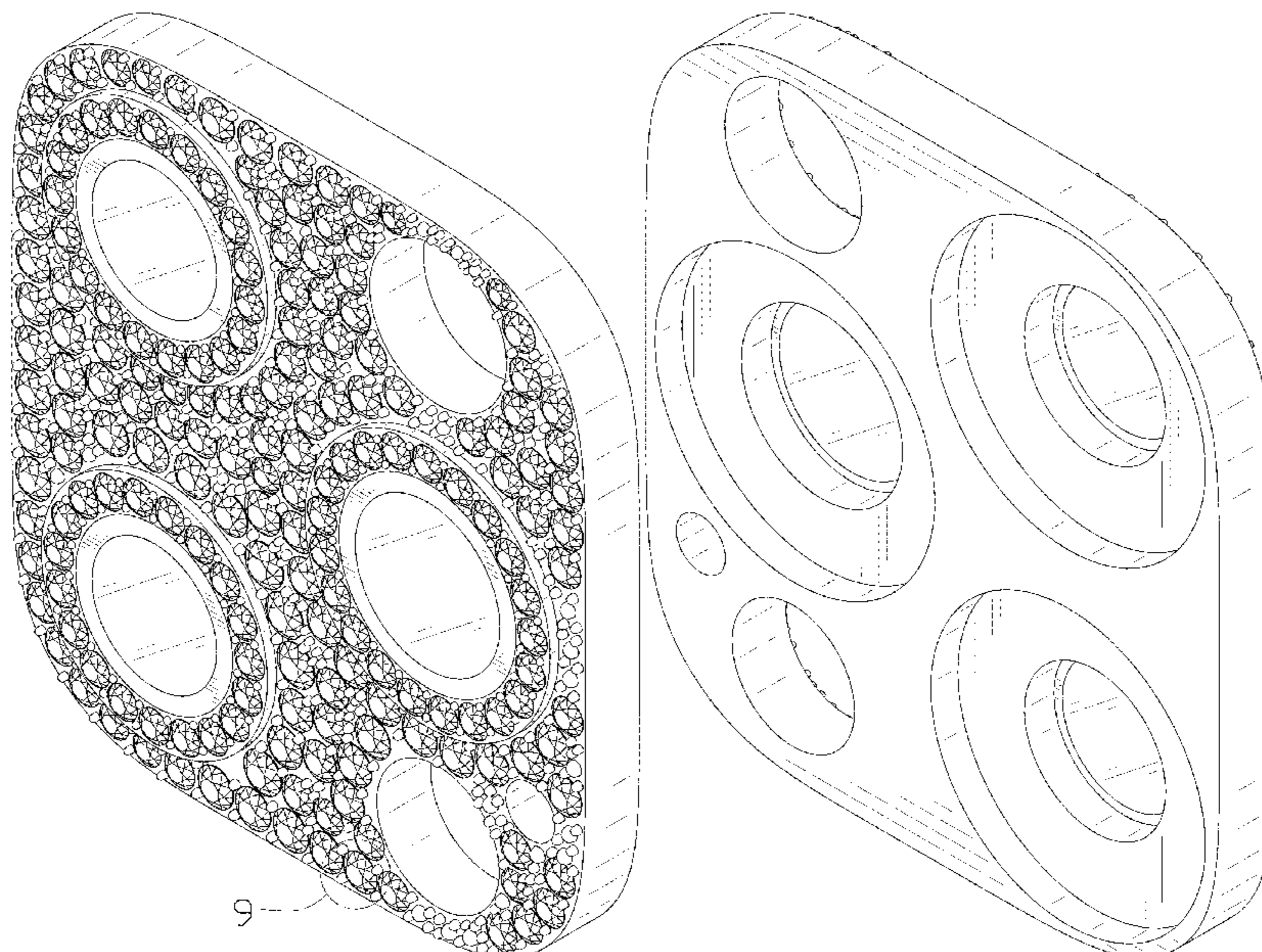
(56)

**References Cited**

U.S. PATENT DOCUMENTS

D740,268 S \* 10/2015 O’Neill ..... D14/250  
D759,644 S \* 6/2016 Penn ..... D14/250  
D759,645 S \* 6/2016 Penn ..... D14/250  
D837,279 S \* 1/2019 Penn ..... D16/237  
D886,181 S 6/2020 Lu  
D909,454 S \* 2/2021 Tung ..... D16/237  
D918,989 S 5/2021 Au et al.  
D926,182 S \* 7/2021 Miller ..... D14/250

**1 Claim, 9 Drawing Sheets**



(56)

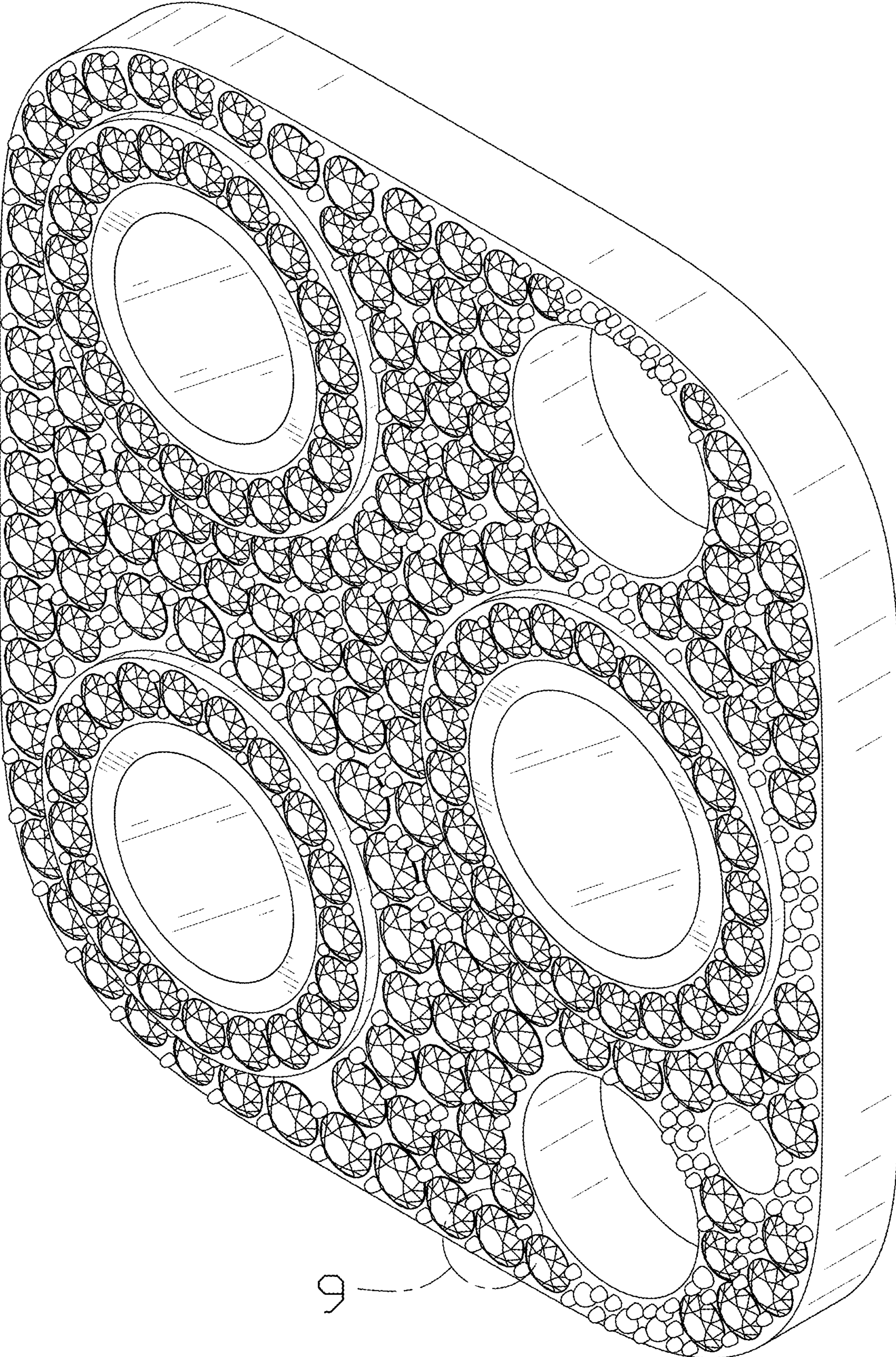
**References Cited**

OTHER PUBLICATIONS

“Tensea for iPhone 13 Pro—iPhone 13 Pro Max Camera Lens Protector, 9H Tempered Glass Camera Cover Screen Protector Metal Individual Ring for iPhone 13Pro 6.1 inch iPhone 13 ProMax 6.7 inch 2021” from Amazon.com, first available Sep. 8, 2021 from the internet <<https://www.amazon.com/dp/B09HS6KXND/>> (Year: 2021).\*

“Goton Bling Camera Lens Protector Compatible with iPhone 13 Pro Max & 13 Pro, Glitter Diamond Metal Lens Screen Full Protective Cover Phone Accessories Gold” from Amazon.com, first available Dec. 6, 2021 from the internet <<https://www.amazon.com/dp/B09N33RKWH/>> (Year: 2021).\*

\* cited by examiner



9

FIG. 1

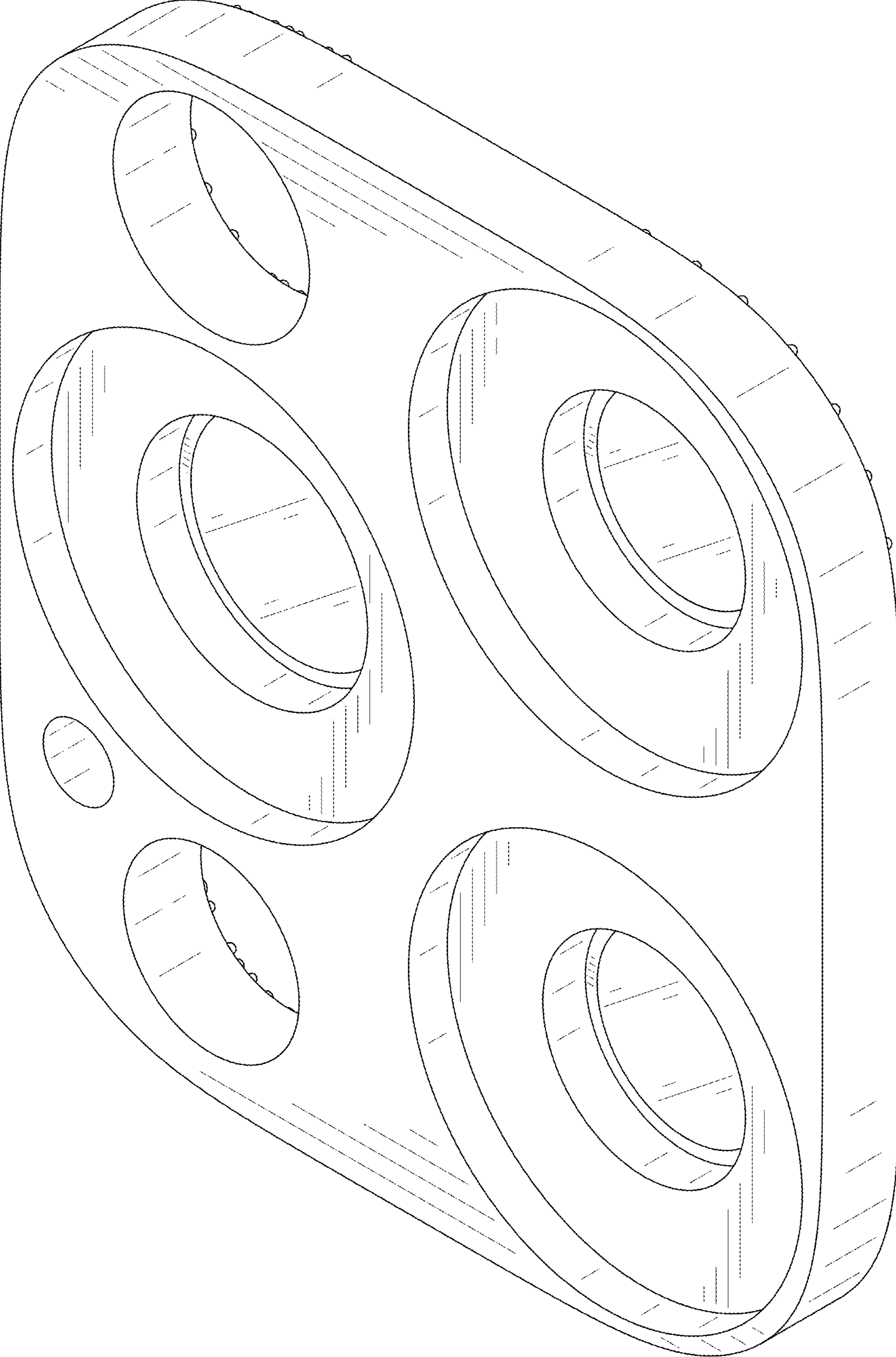


FIG. 2

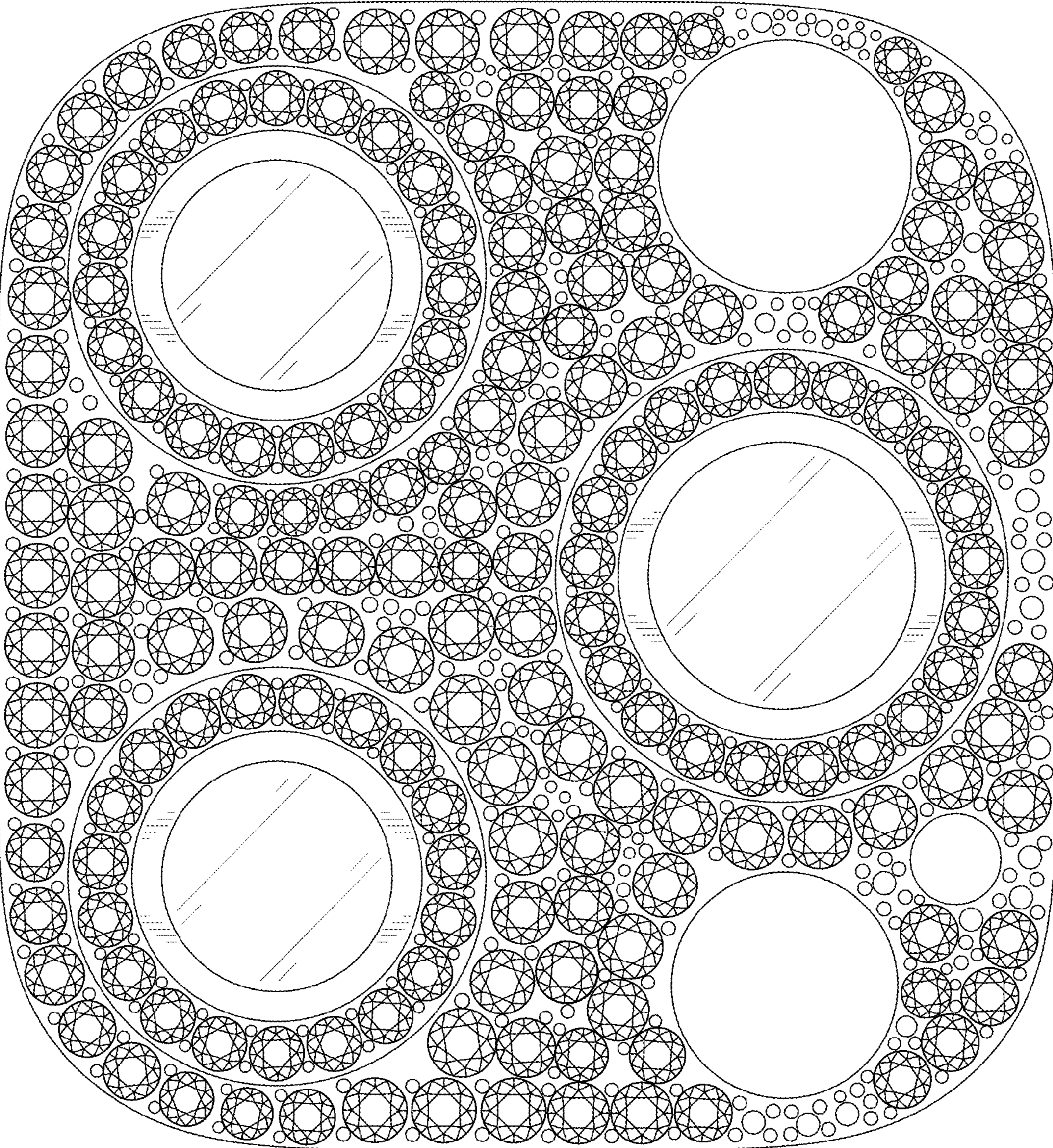


FIG. 3

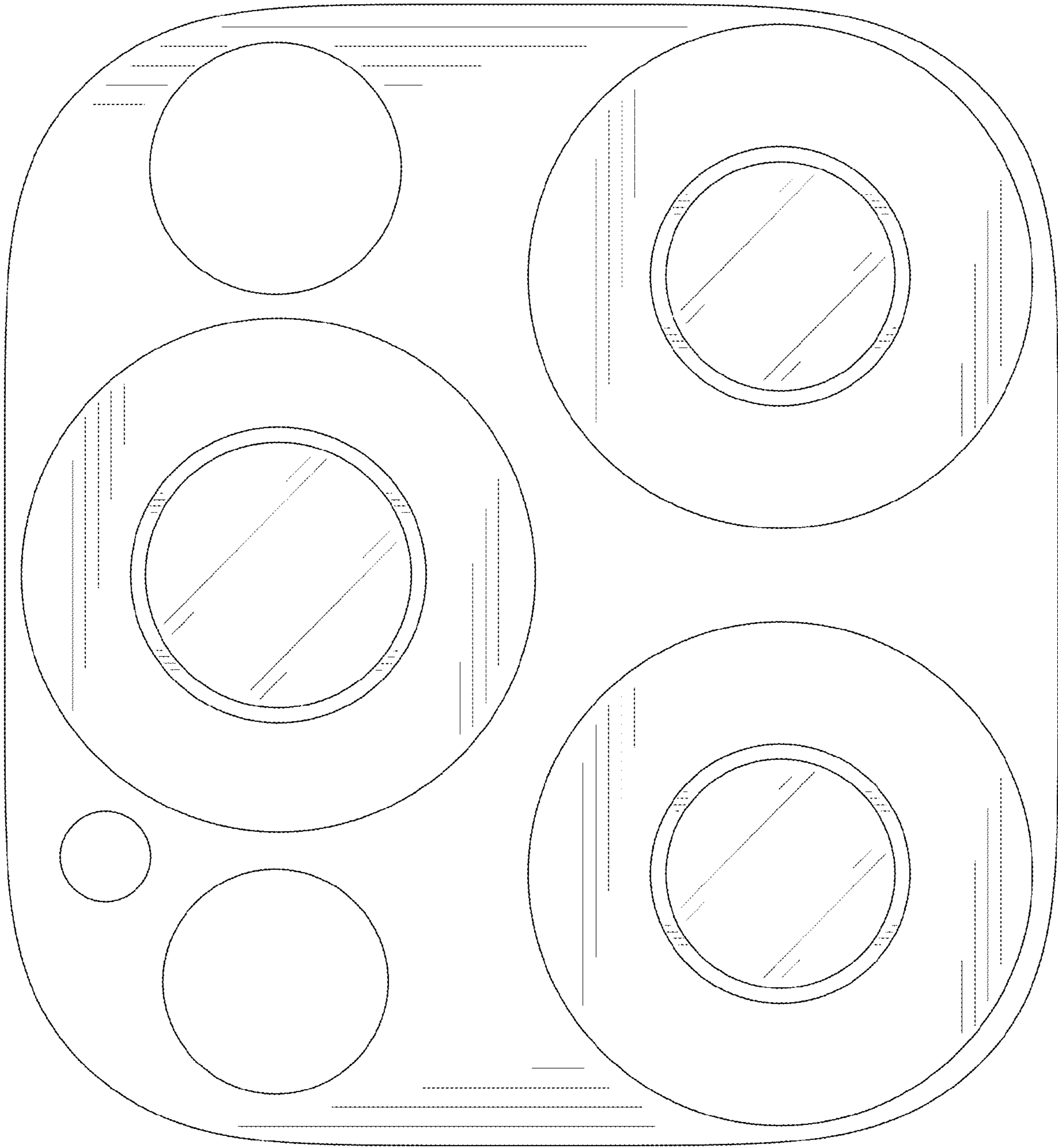


FIG. 4

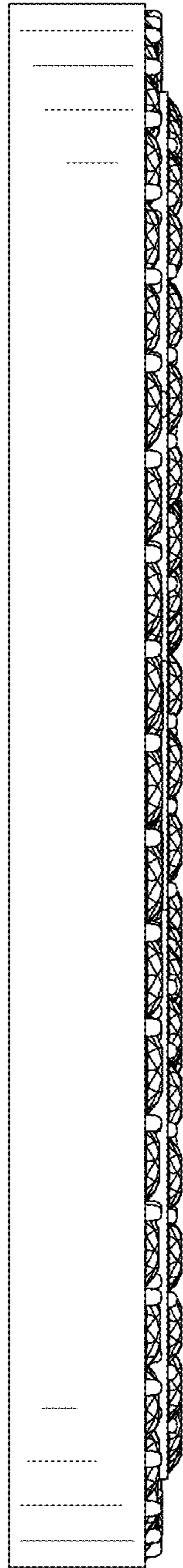


FIG. 5

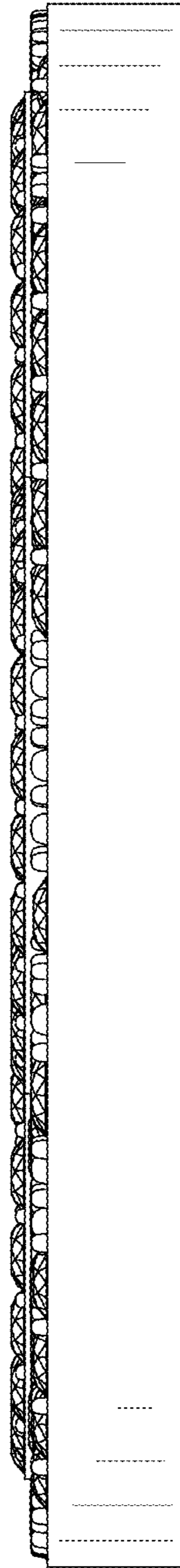


FIG. 6



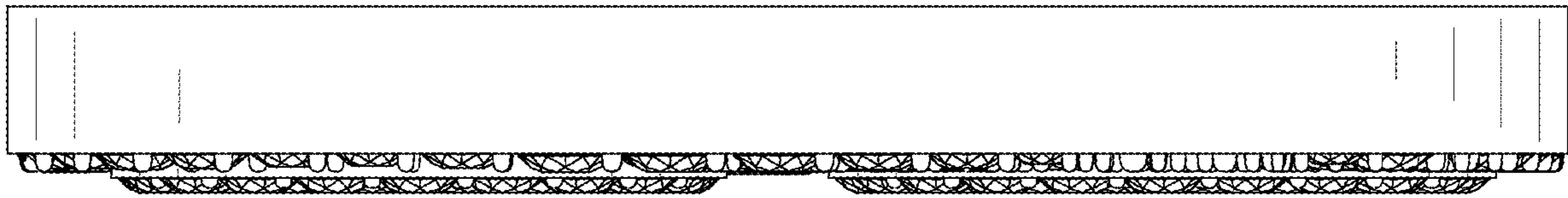


FIG. 7

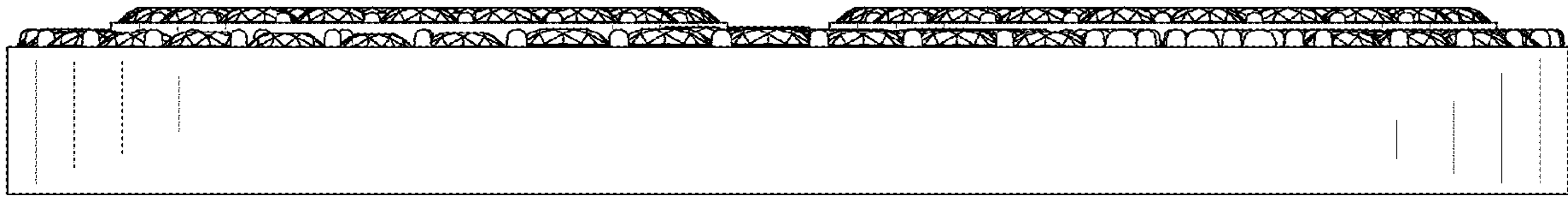


FIG. 8

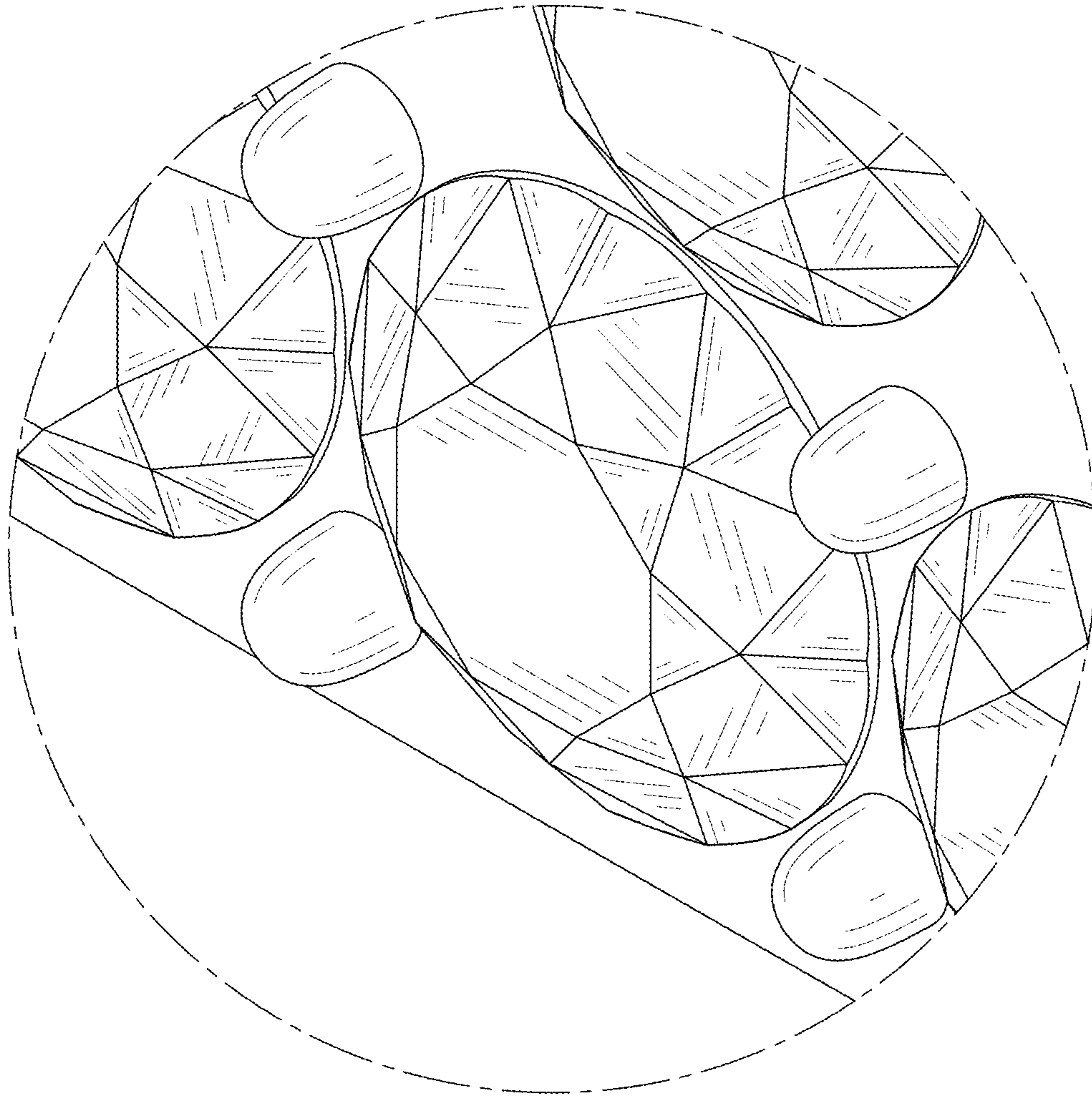


FIG. 9