



US00D954782S

(12) **United States Design Patent**
Xiao

(10) **Patent No.:** **US D954,782 S**

(45) **Date of Patent:** **** Jun. 14, 2022**

(54) **FLOODLIGHT PROJECTOR**

(71) Applicant: **Ledlenser GmbH & Co. KG**, Solingen (DE)

(72) Inventor: **Bin Xiao**, Düsseldorf (DE)

(73) Assignee: **LEDLENSER GMBH & CO. KG**, Solingen (DE)

(**) Term: **15 Years**

(21) Appl. No.: **35/511,479**

(22) Filed: **Feb. 15, 2021**

(80) **Hague Agreement Data**

Int. Filing Date: **Feb. 15, 2021**

Int. Reg. No.: **DM/212901**

Int. Reg. Date: **Feb. 15, 2021**

Int. Reg. Pub. Date: **Mar. 5, 2021**

(30) **Foreign Application Priority Data**

Sep. 24, 2020 (DE) 402020100902-0001

(51) **LOC (13) Cl.** **16-02**

(52) **U.S. Cl.**
USPC **D16/221; D26/63**

(58) **Field of Classification Search**
USPC D16/221, 225, 229-231, 234-235;
D14/496, 125, 135, 188; D26/63
CPC G03B 21/00; G03B 21/001; G03B 21/003;
G03B 21/12; G03B 21/14; G03B 21/145
See application file for complete search history.

(56) **References Cited**

U.S. PATENT DOCUMENTS

D437,651 S	*	2/2001	Tang	D26/63
D550,747 S	*	9/2007	Sassano	D16/221
D561,232 S	*	2/2008	Nishizawa	D16/221
D788,963 S	*	6/2017	Peard	D26/61
D789,581 S	*	6/2017	Peard	D26/61
D789,582 S	*	6/2017	Peard	D26/61
D797,338 S	*	9/2017	Wang	D26/63
D803,449 S	*	11/2017	Xu	D26/63
D823,514 S	*	7/2018	Timtchenko	D26/63
D863,408 S	*	10/2019	Zheng	D16/231
D865,037 S	*	10/2019	Chu	D16/235
D878,451 S	*	3/2020	Pigino	D16/229

* cited by examiner

Primary Examiner — Holly E Thurman

(74) *Attorney, Agent, or Firm* — Alston & Bird LLP

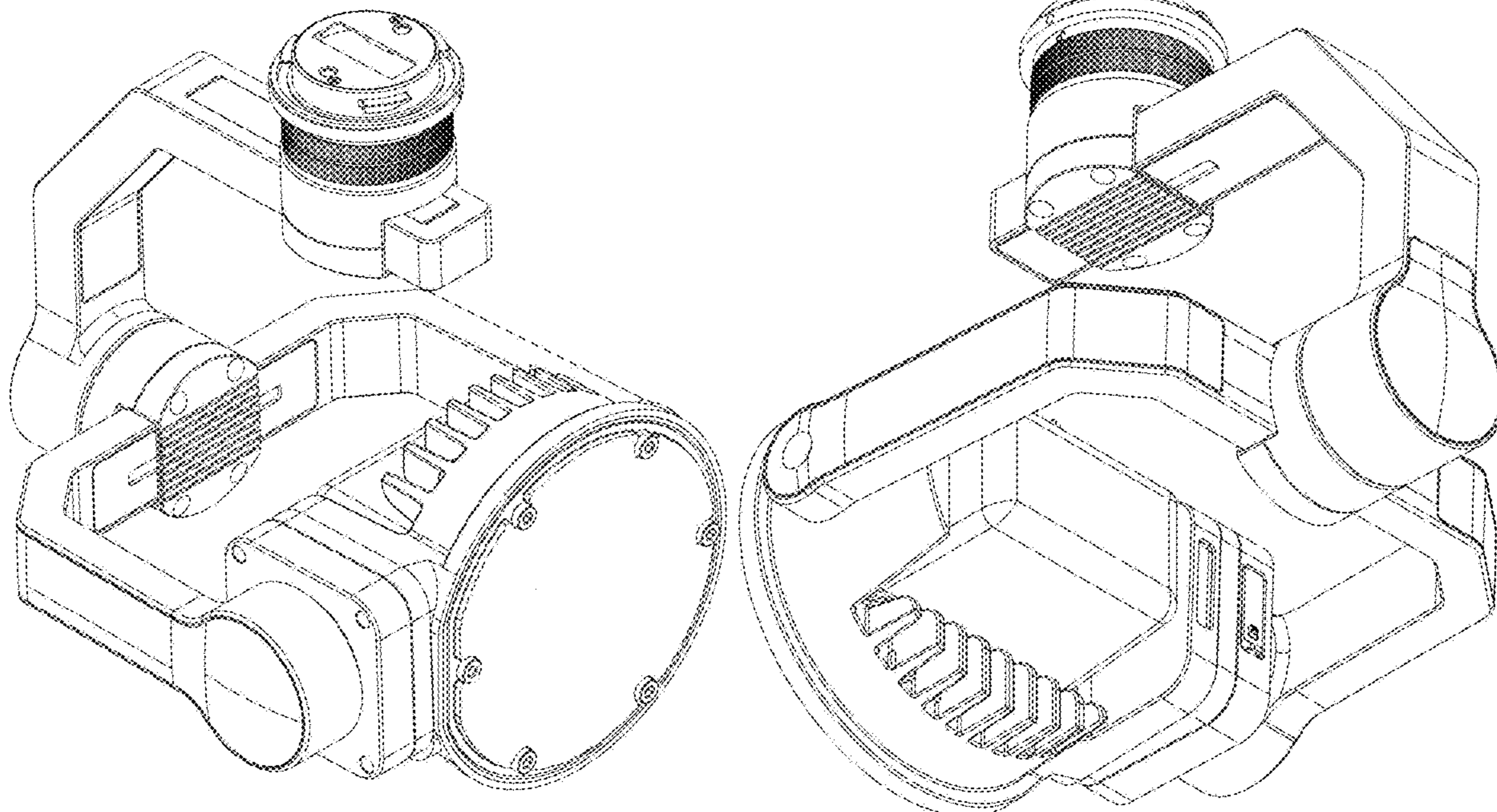
(57) **CLAIM**

The ornamental design for a floodlight projector, as shown and described.

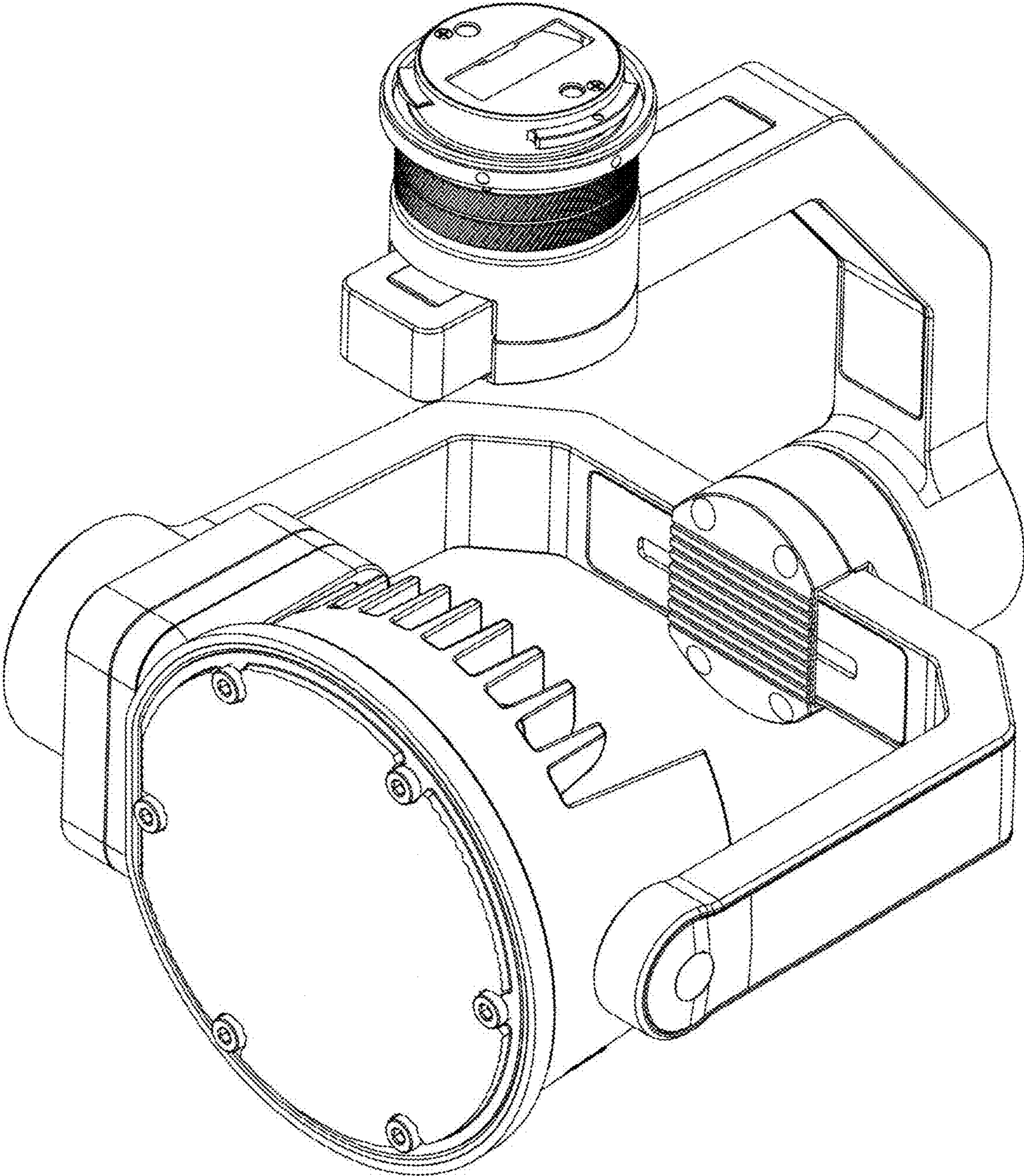
DESCRIPTION

- 1. Floodlight projector
- 1.1 : Top, Front, Right Perspective
- 1.2 : Front
- 1.3 : Back
- 1.4 : Left
- 1.5 : Right
- 1.6 : Top
- 1.7 : Bottom
- 1.8 : Top, Front, Left Perspective
- 1.9 : Bottom, Rear, Right Perspective
- 1.10 : Bottom, Rear, Left Perspective

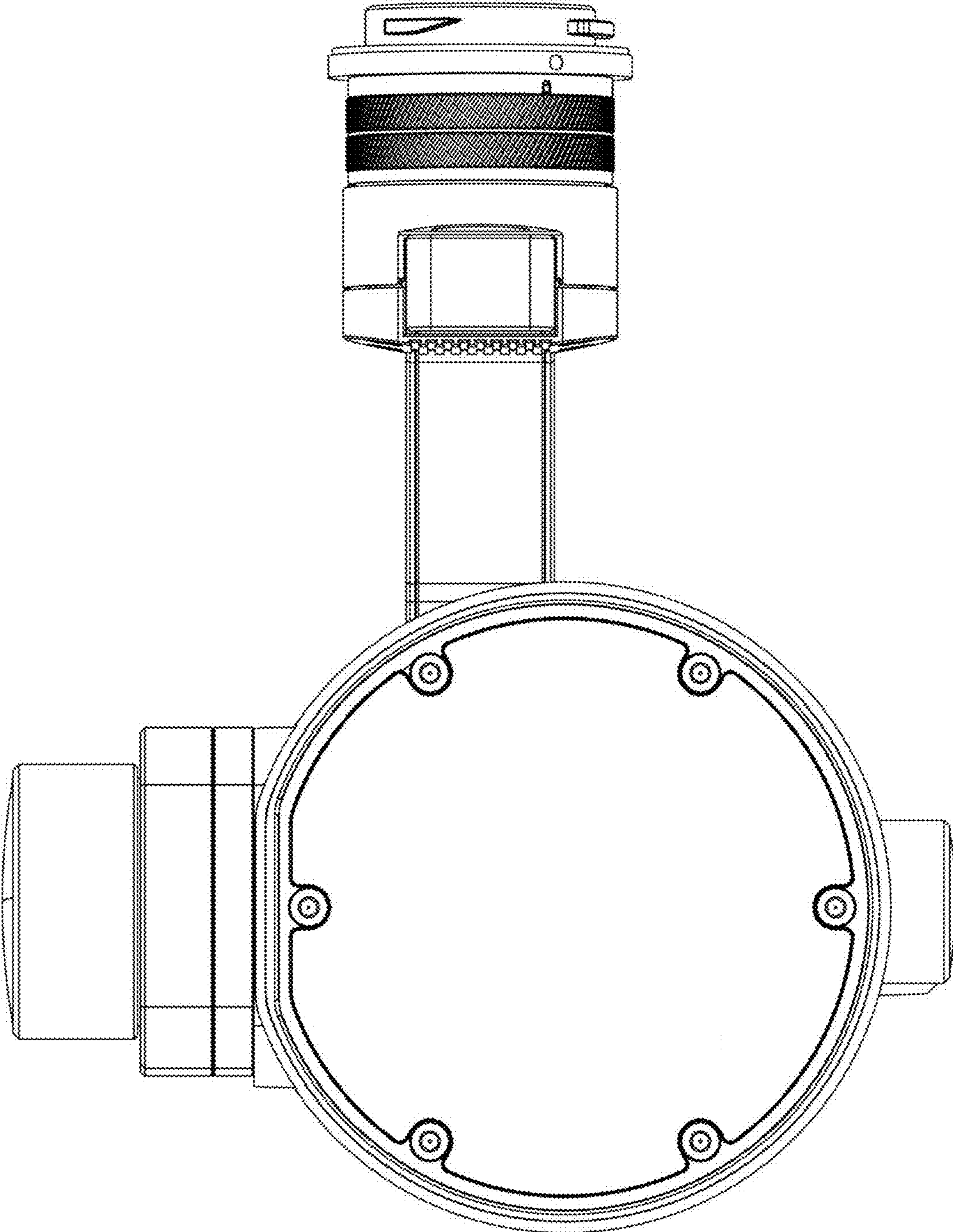
1 Claim, 10 Drawing Sheets



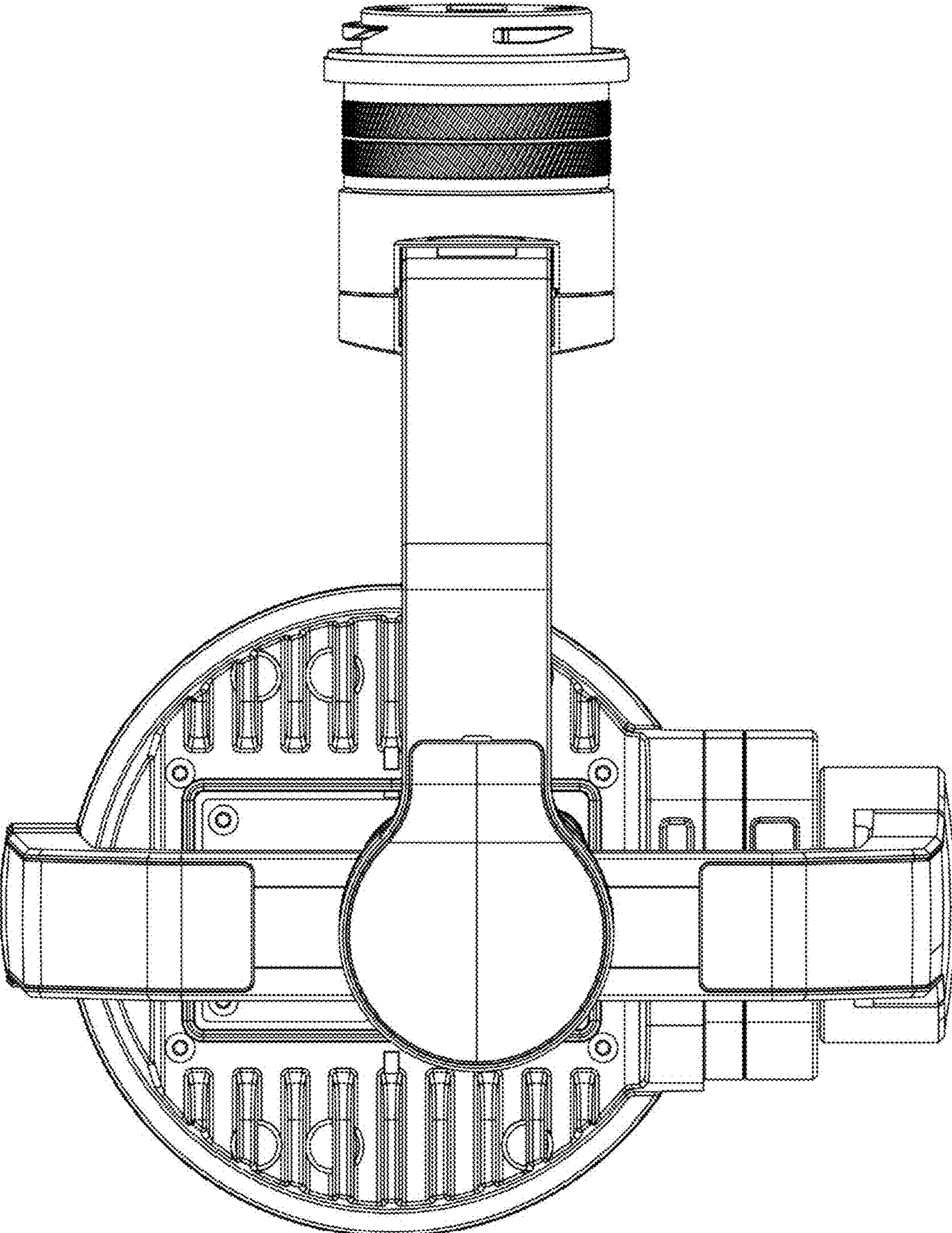
1.1



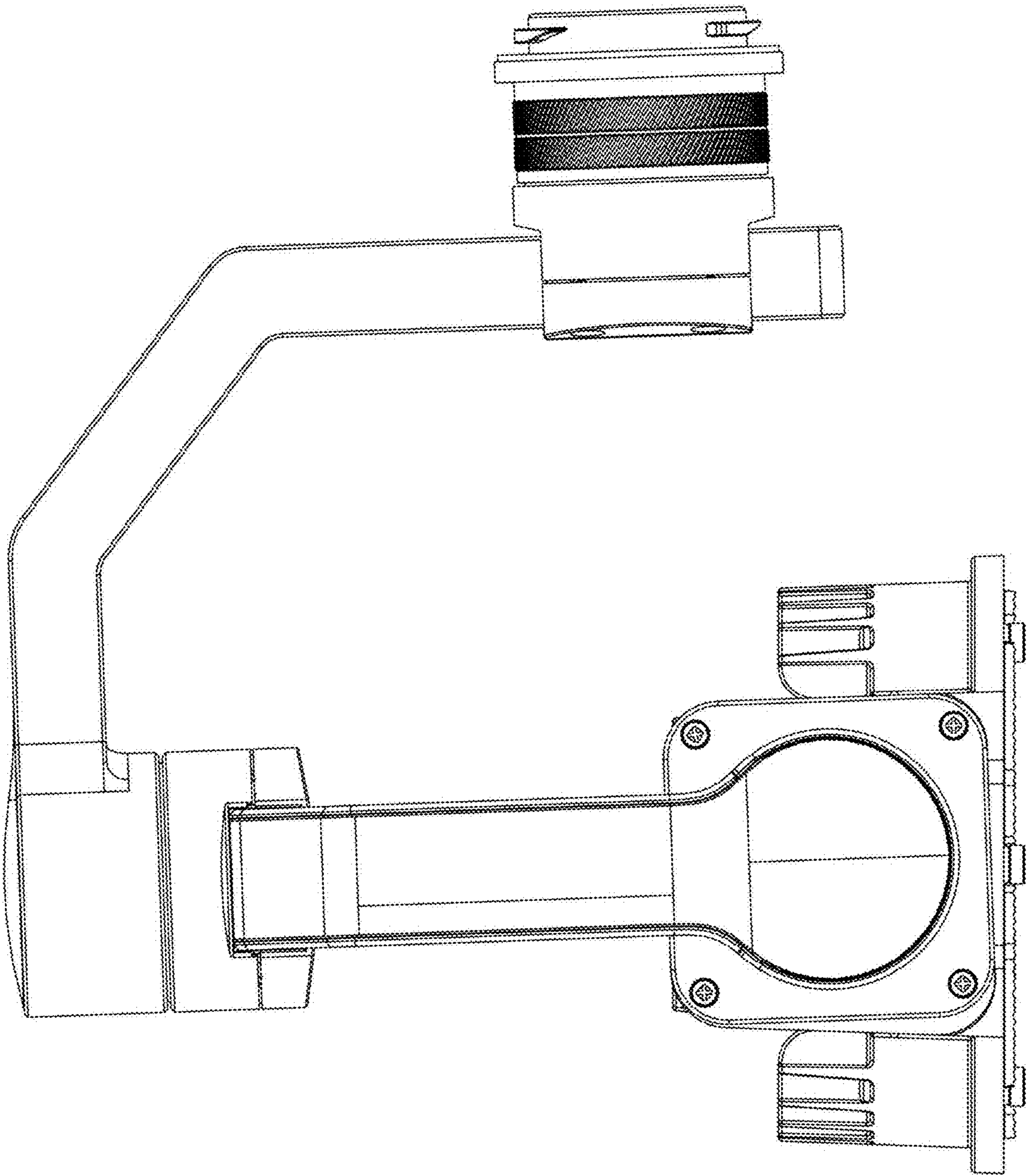
1.2



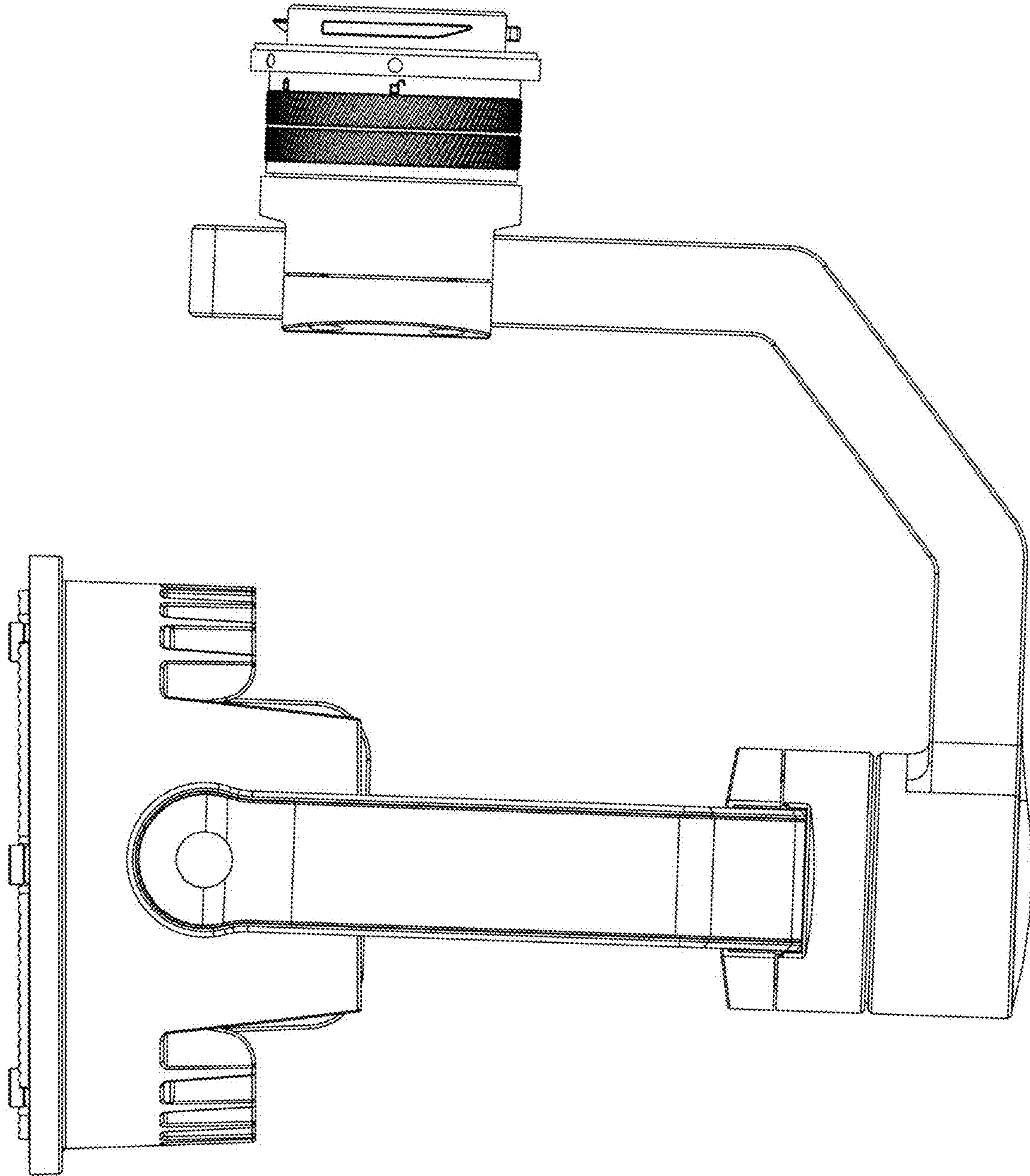
1.3



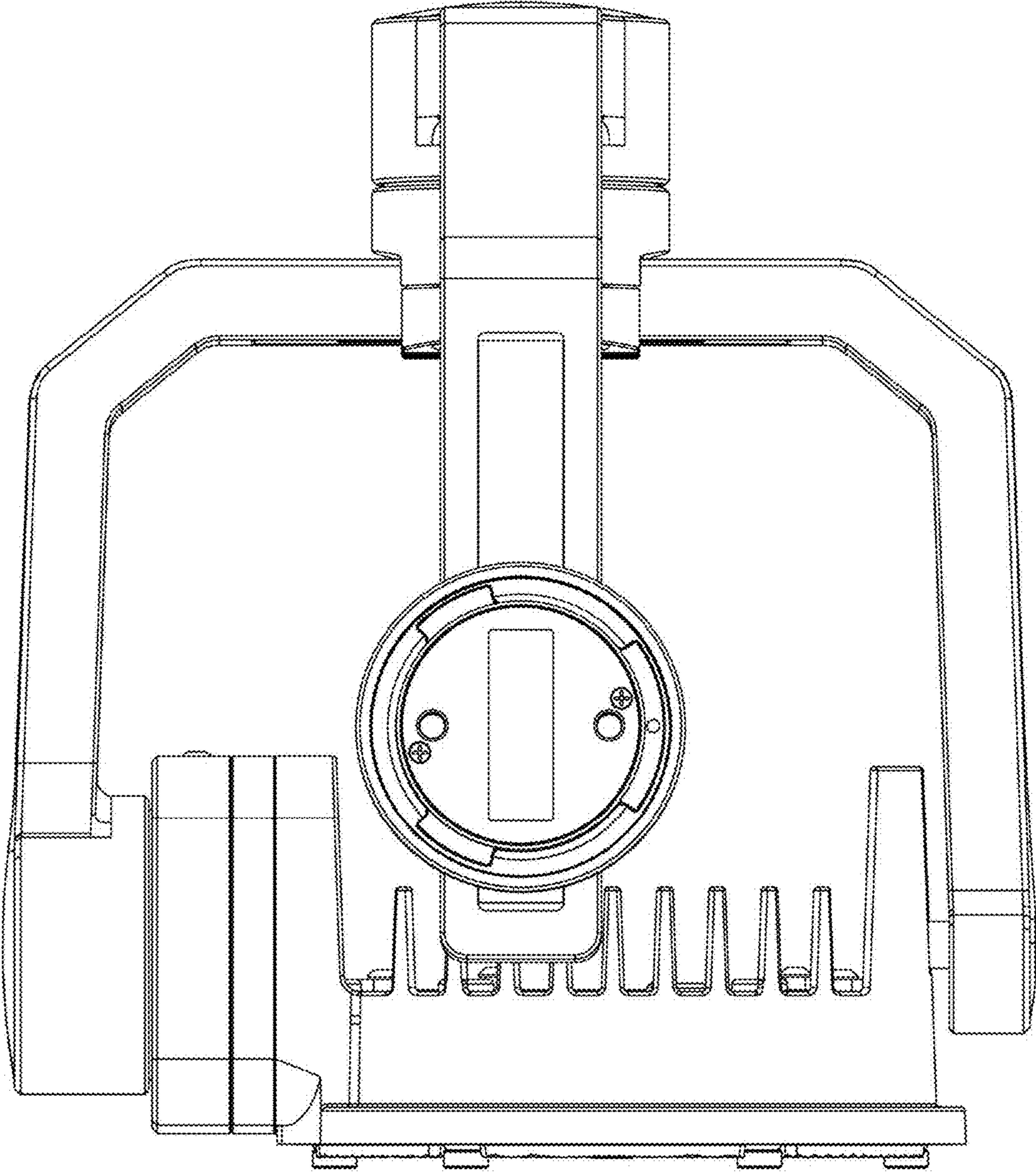
1.4



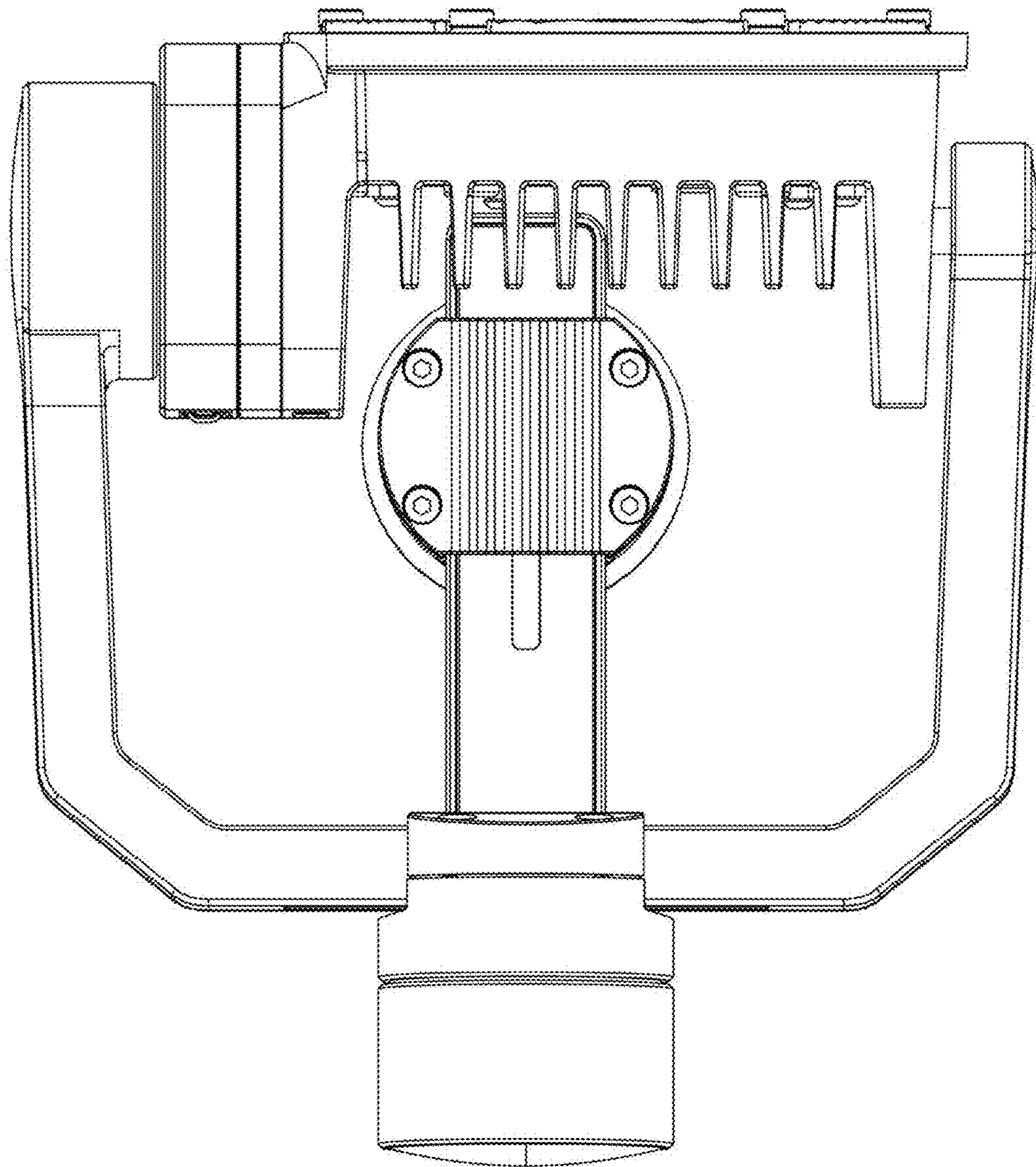
1.5



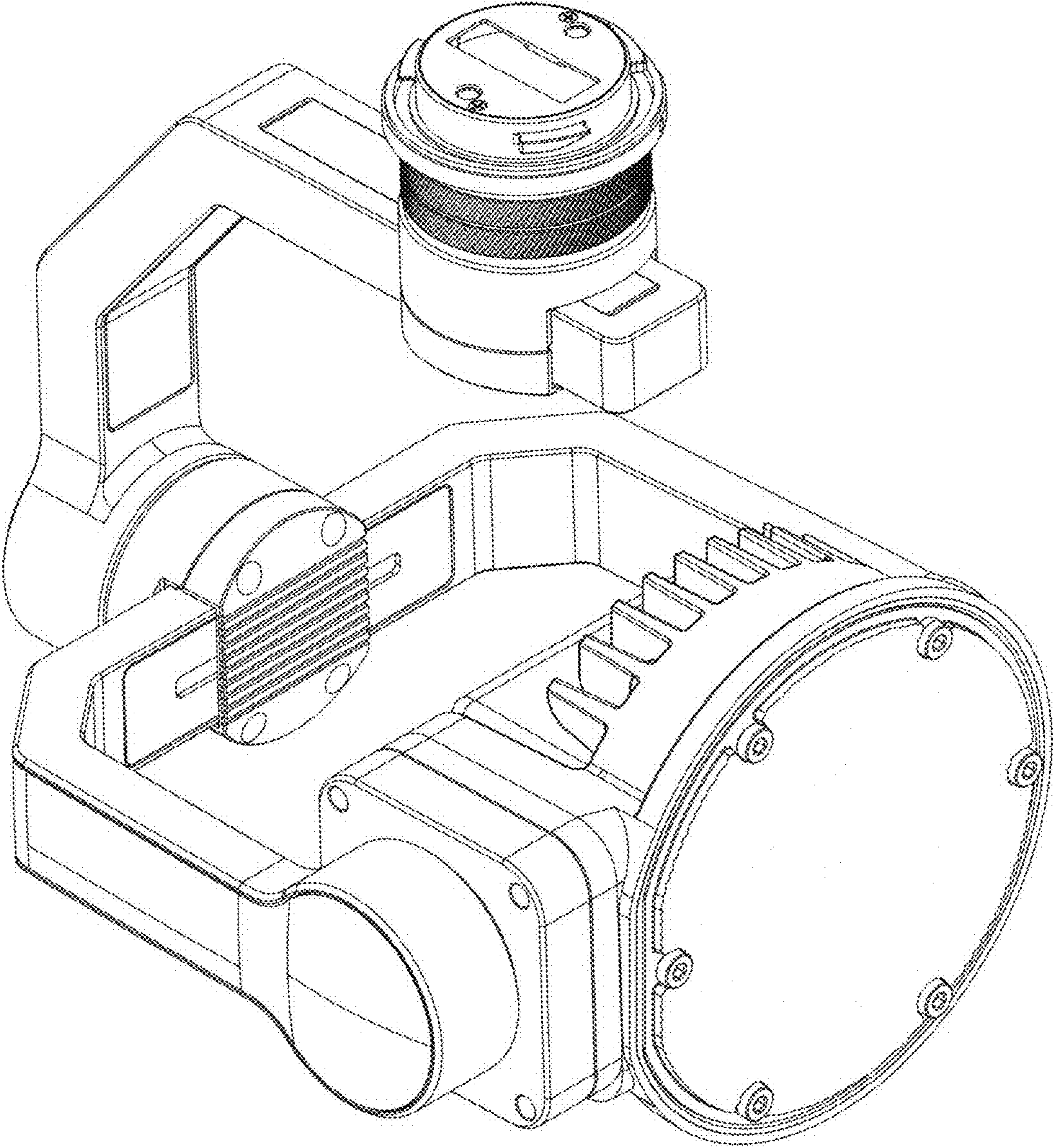
1.6



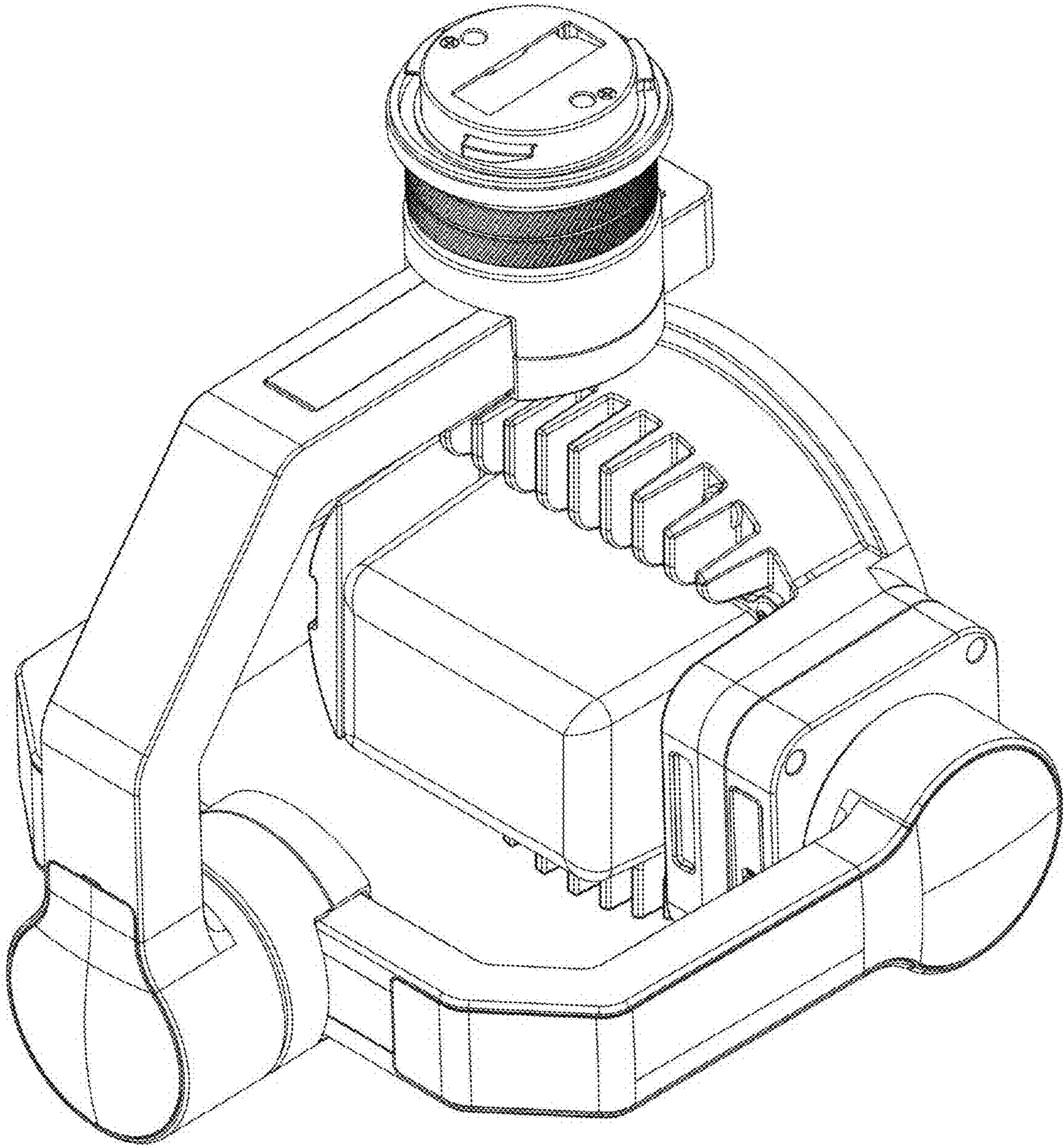
1.7



1.8



1.9



1.10

