



US00D954781S

(12) **United States Design Patent**
Bergman et al.

(10) **Patent No.:** **US D954,781 S**
(45) **Date of Patent:** **** Jun. 14, 2022**

(54) **CAMERA HOUSING**

D164,285 S 8/1951 Clark
3,418,909 A 12/1968 Rabinow
D265,829 S 8/1982 Shimoda
(Continued)

(71) Applicant: **GoPro, Inc.**, San Mateo, CA (US)

(72) Inventors: **Senka Agic Bergman**, Montara, CA (US); **Daniel J. Coster**, Oakura (NZ); **Jordan Todd**, Piedmont, CA (US); **Zhijun Guo**, Shenzhen (CN)

FOREIGN PATENT DOCUMENTS

EP 0025866020001 B2 2/2015
EP 0025866020002 B1 2/2015
JP 2002006389 A 1/2002

(73) Assignee: **GoPro, Inc.**, San Mateo, CA (US)

(**) Term: **15 Years**

OTHER PUBLICATIONS

(21) Appl. No.: **29/817,136**

'Custom Surf Housing Examples for Video Cameras,' Sexton Photographies, The Sexton Company LLC, 2004, [Online] [Retrieved on Nov. 16, 2008] Retrieved from the Internet&It;URL:http://www.thesextonco.com/ch.sub.—surf.sub.—video.html—>. 3 pages.

(22) Filed: **Nov. 29, 2021**

(Continued)

Related U.S. Application Data

(62) Division of application No. 29/705,997, filed on Sep. 17, 2019.

Primary Examiner — Ramzi Almatrahi

(51) **LOC (13) Cl.** **16-05**

(74) *Attorney, Agent, or Firm* — Young Basile Hanlon & MacFarlane, P.C.

(52) **U.S. Cl.**
USPC **D16/219**

(57) **CLAIM**

The ornamental design for a camera housing, as shown and described.

(58) **Field of Classification Search**
USPC D16/200, 202–204, 208, 211, 218, 219, D16/237, 242; D3/263, 267, 268; 248/176.1, 187.1; 348/81, 360, 373–376, 348/835; 396/25, 27–29, 419, 535, 396/539–541

DESCRIPTION

CPC G03B 15/03; G03B 17/02; G03B 17/04; G03B 17/08; G03B 17/56; G03B 19/04; H04N 5/2251; H04N 5/2252; H04N 5/2253; H04N 5/2254; A45C 11/38

FIG. 1 is a top, front and right side perspective view of a camera housing showing our new design; FIG. 2 is a front elevation view thereof; FIG. 3 is a rear elevation view thereof; FIG. 4 is a top plan view thereof; FIG. 5 is a bottom plan view thereof; FIG. 6 is a right side elevation view thereof; and, FIG. 7 is a left side elevation view thereof.

See application file for complete search history.

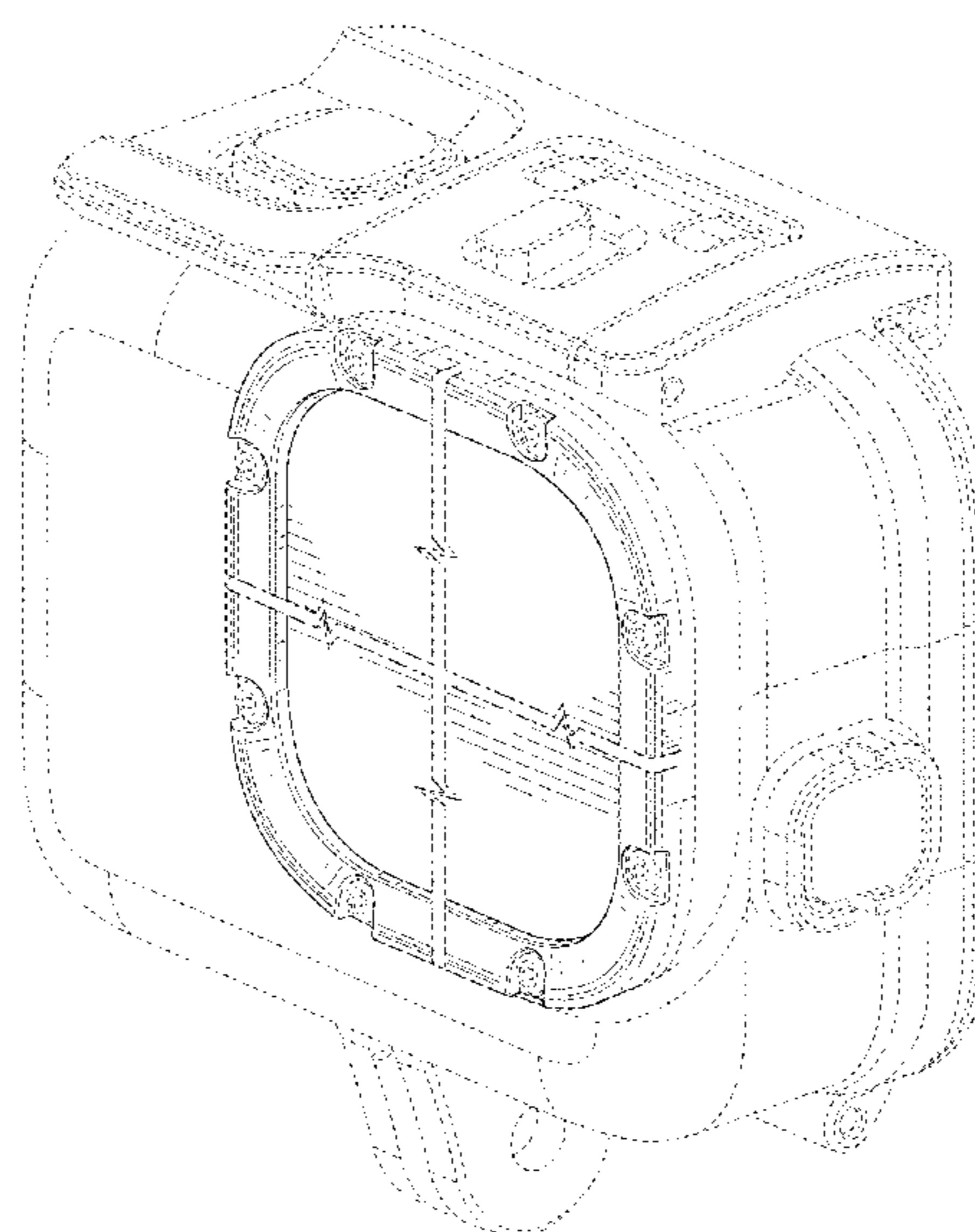
The broken lines depict portions of the camera housing in which the design is embodied that form no part of the claimed design. Additionally, the symbolic breaks shown on the camera housing indicate break lines for indeterminate length. Any portion of the article between the break lines form no part of the claimed design.

(56) **References Cited**

U.S. PATENT DOCUMENTS

D96,348 S 7/1935 Teaque
D150,289 S 7/1948 Crapsey

1 Claim, 6 Drawing Sheets



(56)

References Cited

U.S. PATENT DOCUMENTS

4,646,141 A	2/1987	Timmermans	D645,725 S	9/2011	Katz	
4,763,151 A	8/1988	Klinger	8,014,656 B2	9/2011	Woodman	
D321,704 S	11/1991	Leonard	D646,313 S	10/2011	Woodman	
D321,705 S	11/1991	Ohmura	D647,303 S	10/2011	Mish	
D338,220 S	8/1993	Kohno	D647,554 S	10/2011	Yim	
D367,283 S	2/1996	Lyon	D648,363 S	11/2011	Takagi	
D377,940 S	2/1997	Totsch	D648,364 S	11/2011	Tsukamoto	
D388,109 S	12/1997	Kimura	D657,808 S *	4/2012	Woodman	D16/218
D392,659 S	3/1998	Takano	D657,811 S	4/2012	Woodman	
5,997,376 A	12/1999	Block	8,150,248 B1	4/2012	Woodman	
D419,296 S	1/2000	Shinano	D667,041 S	9/2012	Uehara	
D425,092 S	5/2000	Eto	D668,874 S	10/2012	Robinson	
D425,924 S	5/2000	Burchard	D674,428 S	1/2013	Woodman	
D439,593 S	3/2001	Enderby	D674,429 S	1/2013	Woodman	
D441,386 S	5/2001	Yamazaki	D684,569 S	6/2013	Willenborg	
6,233,400 B1	5/2001	Muramatsu	D685,178 S	7/2013	Lv	
6,315,180 B1	11/2001	Watkins	8,544,643 B2	10/2013	Yim	
D453,177 S	1/2002	Uehara	D693,114 S	11/2013	Lemanski, Sr.	
D458,620 S	6/2002	Su	8,596,890 B2	12/2013	Yim	
D460,474 S	7/2002	Gotham, Sr.	D699,276 S	2/2014	Samuels	
6,545,825 B2	4/2003	Shoji	D699,277 S	2/2014	Samuels	
D474,221 S	5/2003	Cheng	D699,947 S	2/2014	To	
D487,104 S	2/2004	Obata	D700,778 S	3/2014	To	
D491,968 S	6/2004	Isshiki	D702,276 S	4/2014	Woodman	
6,821,173 B2	11/2004	McCausland	D702,277 S	4/2014	Woodman	
D504,904 S	5/2005	Nagai	D702,747 S	4/2014	Woodman	
6,955,484 B2	10/2005	Woodman	D702,754 S	4/2014	Bould	
6,991,504 B1	1/2006	English	D710,611 S	8/2014	To	
7,060,921 B2	6/2006	Kubo	D710,921 S	8/2014	Gioscia	
D524,836 S	7/2006	Morita	D710,922 S	8/2014	Gioscia	
D527,403 S	8/2006	Byun	8,837,928 B1	9/2014	Clearman	
D528,580 S	9/2006	Sumita	8,870,475 B1	10/2014	Bennett	
7,117,699 B2	10/2006	Bistline	D719,811 S	12/2014	Cooper	
D532,029 S	11/2006	Kim	D721,395 S	1/2015	Woodman	
D532,030 S	11/2006	Yoshida	D724,637 S	3/2015	Samuels	
D532,433 S	11/2006	Sato	D724,638 S	3/2015	Samuels	
D533,574 S	12/2006	Hamamura	D725,169 S	3/2015	Gioscia	
D534,564 S	1/2007	Tainaka	9,004,783 B1	4/2015	Woodman	
D535,676 S	1/2007	Dayan	D729,515 S	5/2015	Slimane	
7,182,529 B2	2/2007	Kurosawa	D732,593 S	6/2015	Woodman	
7,182,661 B2	2/2007	Sams	D733,787 S	7/2015	Baker	
D538,322 S	3/2007	Horikiri	D733,788 S	7/2015	Baker	
D538,324 S	3/2007	Masamitsu	D734,799 S *	7/2015	Woodman	D16/200
D540,669 S	4/2007	George	D735,260 S	7/2015	Bould	
D540,841 S	4/2007	Yamagishi	D735,790 S	8/2015	Gioscia	
D550,742 S	9/2007	Ishii	D737,879 S	9/2015	Woodman	
7,295,388 B2	11/2007	Shyu	D739,451 S	9/2015	Gioscia	
D562,374 S	2/2008	Miyashita	D740,868 S	10/2015	Gioscia	
D566,148 S	4/2008	Akita	D740,875 S *	10/2015	Woodman	D16/219
D566,714 S	4/2008	Schaefer	D740,876 S *	10/2015	Woodman	D16/200
7,413,357 B2	8/2008	Badalian	D741,394 S	10/2015	Gioscia	
D582,955 S	12/2008	Sekine	D750,146 S	2/2016	Costa	
D600,265 S	9/2009	Miyashita	D750,680 S	3/2016	Chen	
D605,680 S	12/2009	Okada	D751,133 S	3/2016	Gioscia	
7,626,621 B2	12/2009	Ito	D752,671 S	3/2016	Harrison	
7,653,292 B2	1/2010	Yamaguchi	D752,672 S	3/2016	Clearman	
7,683,968 B2	3/2010	Hagihara	D754,238 S	4/2016	Woodman	
7,690,852 B2	4/2010	Kato	D754,240 S	4/2016	Samuels	
D616,479 S	5/2010	Ganahl, Jr.	D763,941 S	8/2016	Smith	
D618,266 S	6/2010	Imaeda	D767,009 S	9/2016	Hinkel	
D621,432 S	8/2010	Yim	D768,752 S	10/2016	Silver	
D622,591 S	8/2010	Biesecker, II	D772,322 S *	11/2016	Zhang	D16/200
7,768,727 B2	8/2010	Iida	D776,741 S	1/2017	Parfitt	
7,801,439 B2	9/2010	Nagata	D777,821 S	1/2017	Gioscia	
D635,436 S	4/2011	Barton	D778,335 S	2/2017	Gioscia	
D635,437 S	4/2011	Barton	D778,336 S	2/2017	Gioscia	
D635,438 S	4/2011	Barton	D785,697 S	5/2017	Costa	
D635,439 S	4/2011	Barton	D789,435 S	6/2017	Nguyen	
D635,440 S	4/2011	Barton	D799,479 S	10/2017	Wieser	
D639,844 S	6/2011	Lee	D800,818 S	10/2017	Woodman	
D640,058 S	6/2011	Molina	D800,819 S *	10/2017	Parfitt	D16/219
D641,388 S	7/2011	Shih	D804,560 S	12/2017	Costa	
D641,389 S	7/2011	Dastagir	D806,775 S	1/2018	Nguyen	
D642,054 S	7/2011	Samartgis	D808,163 S	1/2018	Song	
D644,679 S *	9/2011	Woodman	D818,029 S	5/2018	Fujita	
			D821,480 S	6/2018	Gioscia	
			D821,481 S	6/2018	Gioscia	
			10,101,637 B2	10/2018	Peddecord	
			D835,910 S	12/2018	Eliyahu	

(56)

References Cited

U.S. PATENT DOCUMENTS

D837,861	S	1/2019	Luo	
D840,463	S	2/2019	Nguyen	
D852,259	S	6/2019	Gioscia	
D856,391	S	8/2019	Liu	
D868,131	S	11/2019	Hu	
D869,539	S	12/2019	Hu	
D876,521	S	2/2020	Costa	
D888,792	S	6/2020	Luo	
D890,835	S	* 7/2020	Nguyen D16/202
D911,418	S	2/2021	Yap	
D921,084	S	6/2021	Muhlenkamp, IV	
D924,297	S	7/2021	Imai	
2003/0035052	A1	2/2003	Baron	
2003/0133206	A1	7/2003	Belefant	
2005/0007553	A1	1/2005	Romanoff	
2005/0019029	A1	1/2005	Kawakami	
2005/0212959	A1	9/2005	Manabe	
2006/0233545	A1	10/2006	Senba	
2007/0071423	A1	3/2007	Fantone	
2007/0242134	A1	10/2007	Zernov	
2008/0083360	A1	4/2008	Rowley	
2009/0032420	A1	2/2009	Zenzai	
2009/0110380	A1	4/2009	Fantone	
2009/0317069	A1	12/2009	Yim	
2011/0147245	A1	6/2011	Yim	
2015/0030320	A1	1/2015	Clearman	
2016/0134788	A1	5/2016	Clearman	
2016/0252801	A1	9/2016	Harrison	

OTHER PUBLICATIONS

'GoPro Hero 3 Sports Wrist Camera Review,' PaddleDogNation, 2006, 6 pages, [Online] [Retrieved on Aug. 8, 2007] Retrieved from

the Internet <URL:[http://paddledognation.com/Reviews/PaddlingGearReviews/He-ro3Ca . . .](http://paddledognation.com/Reviews/PaddlingGearReviews/He-ro3Ca...)>.

'Maui Surf Report: New SUP Camera Mount,' 8 Pages, [Online] [Retrieved on Nov. 16, 2008] Retrieved from the Internet<URL:<http://mauisurfreport.blogspot.com/2007/08/new-sup-camera—mount.html>>.

'Sticky Pod—Boat Camera Mount,' Sticky Pod Camera Mounts, Sticky Pod.RTM., 2003-2007, [Online] [Retrieved on Nov. 16, 2008] Retrieved from the Internet&It;URL:<http://www.stickypod.com/boat.sub.—camera.sub.—moun—t.html>>; . 3 pages.

'Tekkno Trading Project—Brandnews,' NSP, Jan. 2008, p. 59.

GoPro, Inc., 'Cameras,' 2014, 3 Pages, [online][Archived on webarchive.org on Mar. 30, 2014] [Retrieved on Aug. 31, 2015] Retrieved from the internet <URL:<https://web.archive.org/web/20140330221442/http://gopro.com/cameras>>.

Huang, J., "Part 19—Oct. 21: Interbike Bits and Baubles," Interbike Show, Las Vegas, Nevada, USA, Sep. 22-26, 2008, Cyclingnews.com, [Online] [Retrieved on Oct. 21, 2008] Retrieved from the Internet<URL:[http://www.cyclingnews.com/tech/2008/shows/interbike08/?i-d=result . . .](http://www.cyclingnews.com/tech/2008/shows/interbike08/?i-d=result...)>. 3 pages.

Office Action for U.S. Appl. No. 12/498,876, filed Jan. 12, 2011, 10 Pages.

Office Action for U.S. Appl. No. 12/498,876, filed Sep. 17, 2010, 12 Pages.

Office Action for U.S. Appl. No. 13/193,369, filed Oct. 18, 2011, 6 Pages.

PCT International Search Report and Written Opinion, PCT/US2009/049823, dated Sep. 1, 2009, 7 pages.

Volk, W., 'Go Pro's Digital Hero Camera,' Divester, Posted Dec. 5, 2008, [Online] [Retrieved on Sep. 16, 2009] Retrieved from the Internet<URL:<http://www.divester.com/2006/12/05/go-pro-digital-hero-camera/>>. 3 pages.

* cited by examiner

1/6

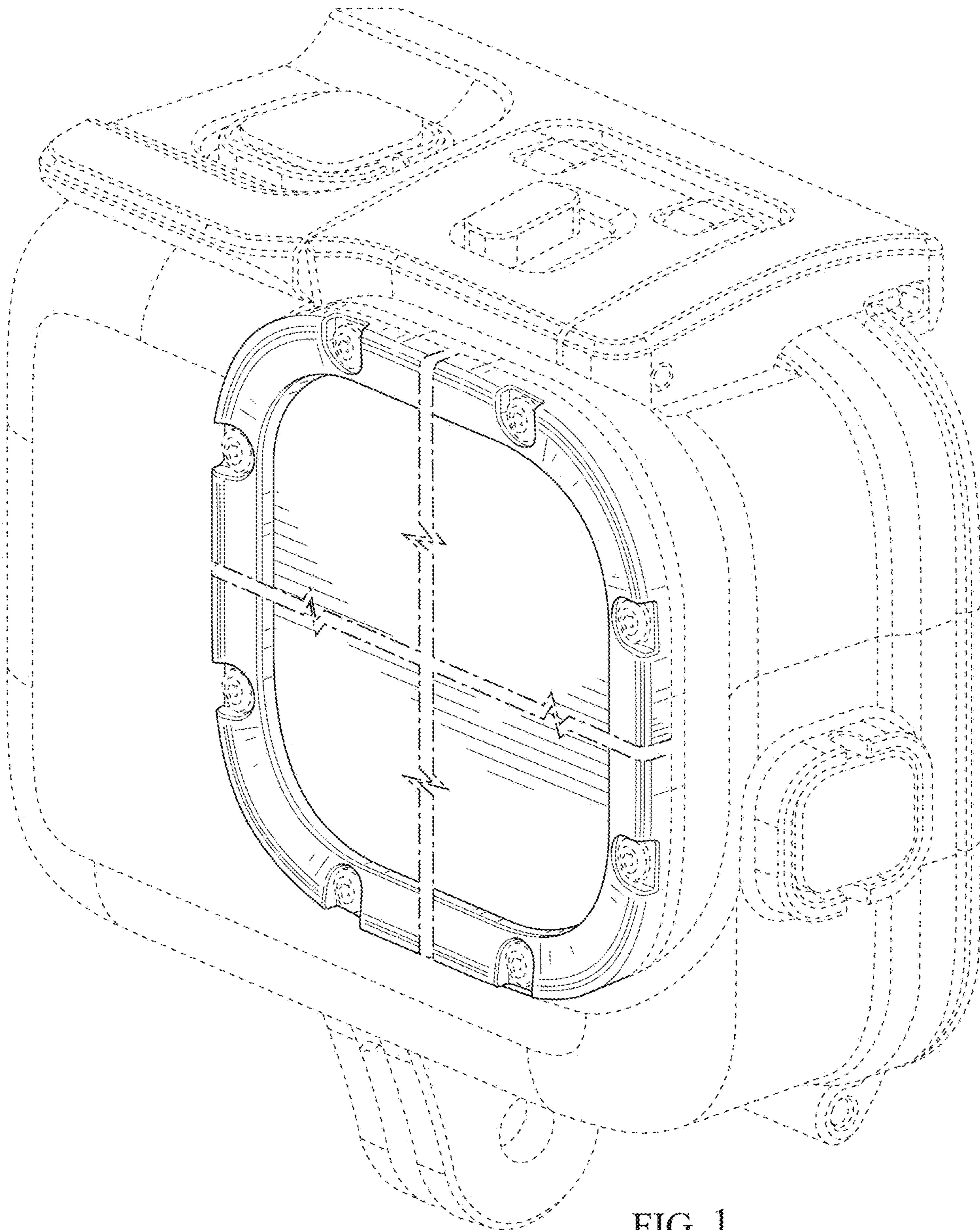


FIG. 1

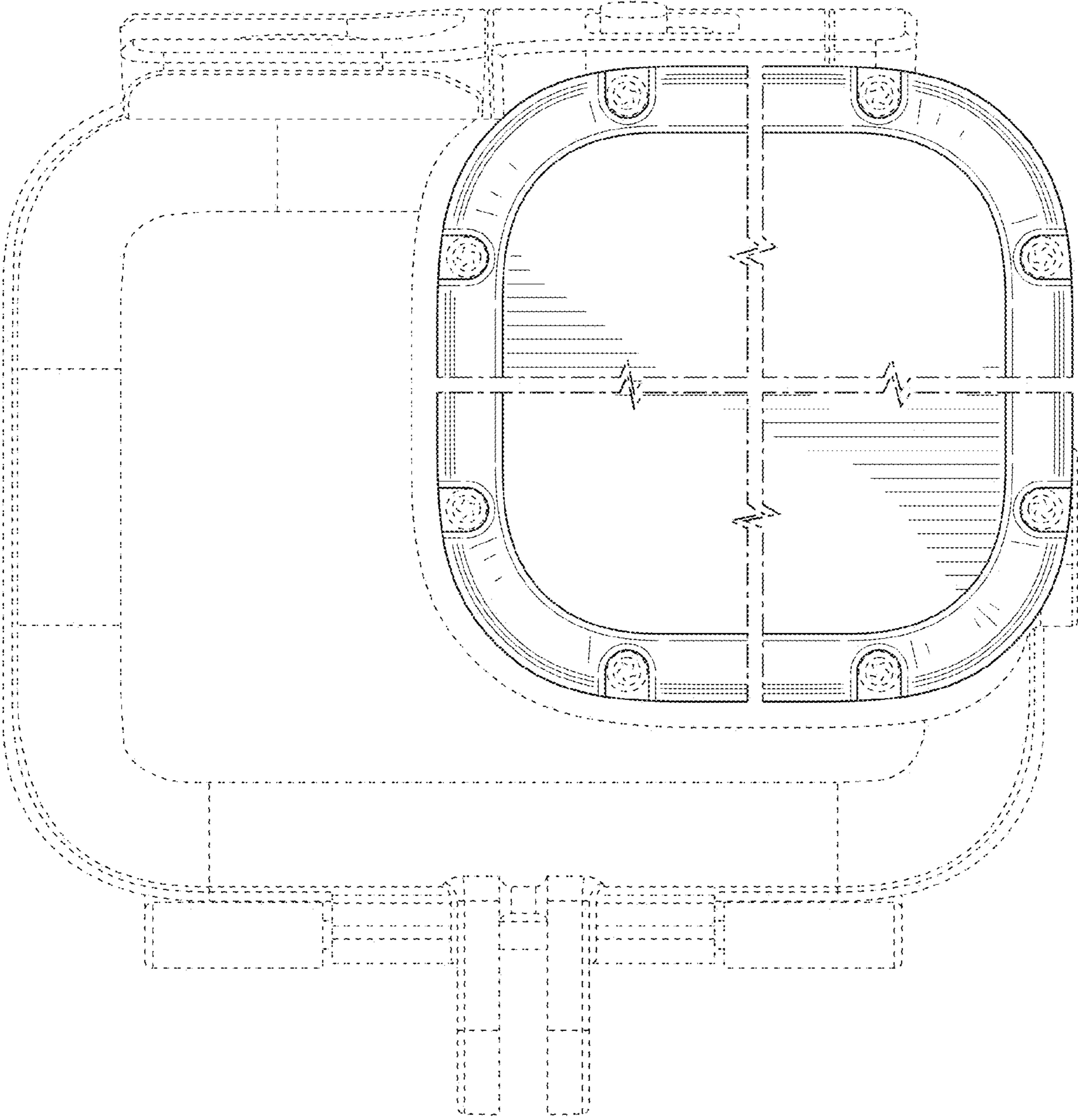


FIG. 2

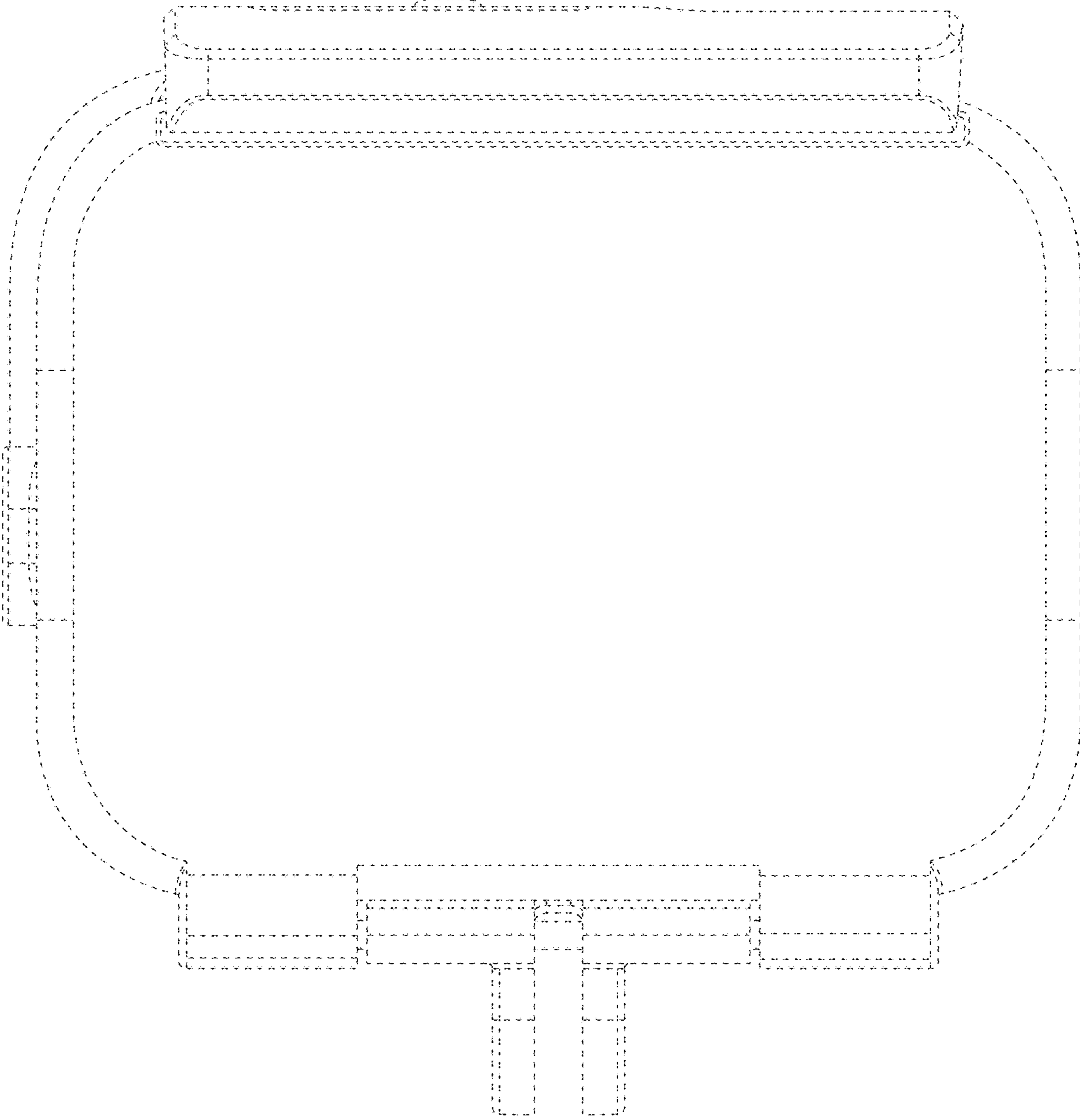


FIG. 3

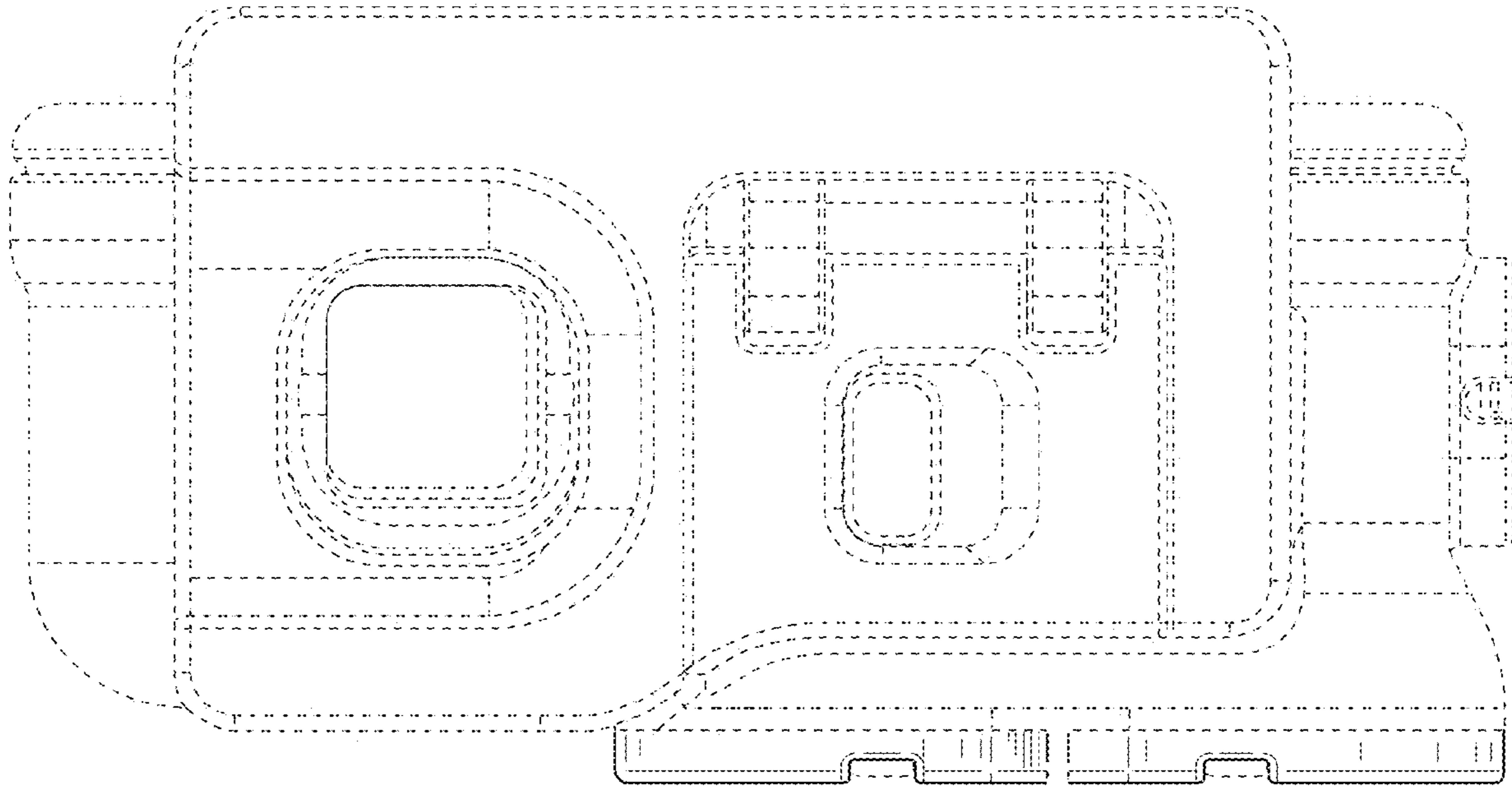


FIG. 4

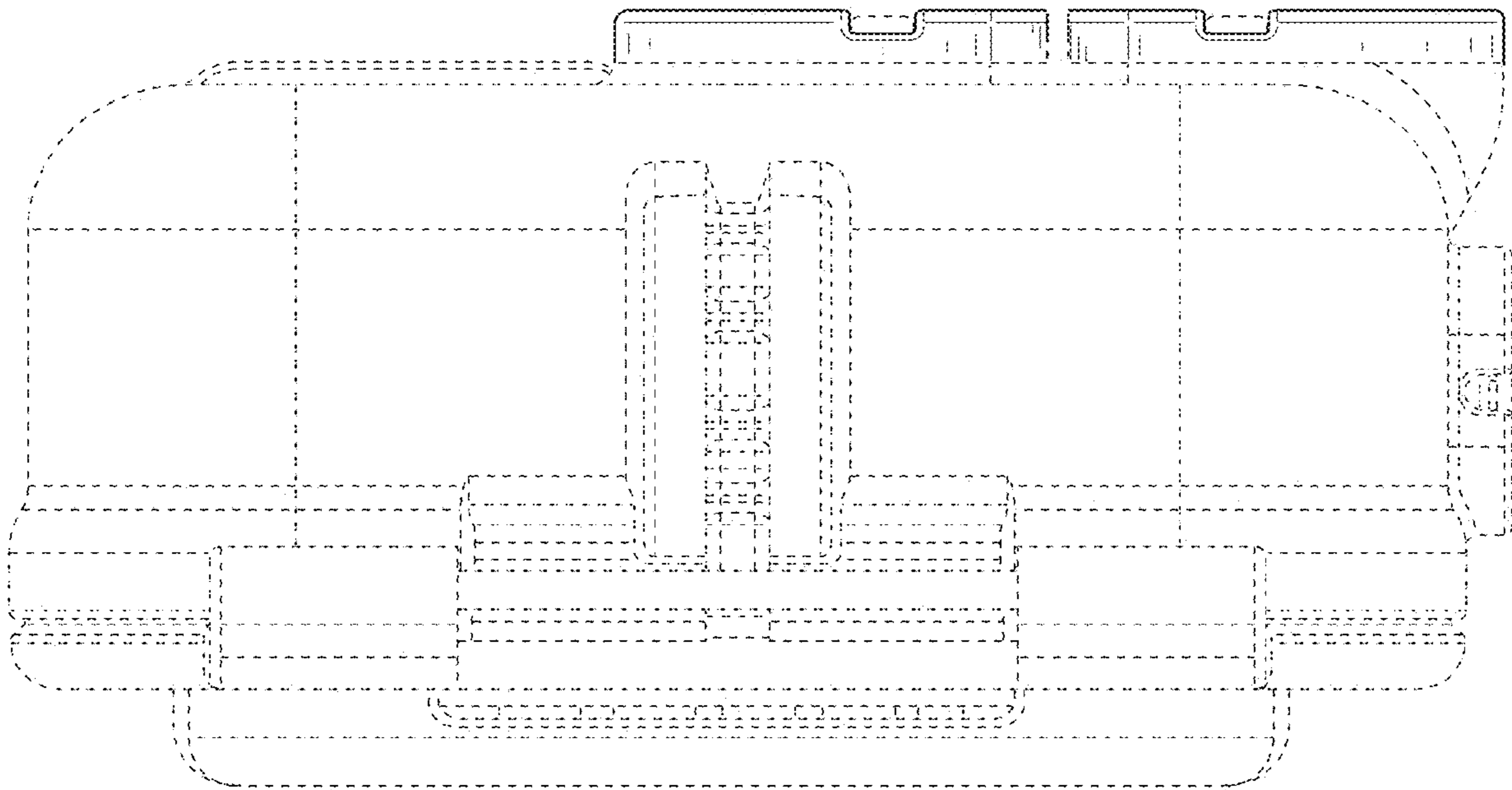


FIG. 5

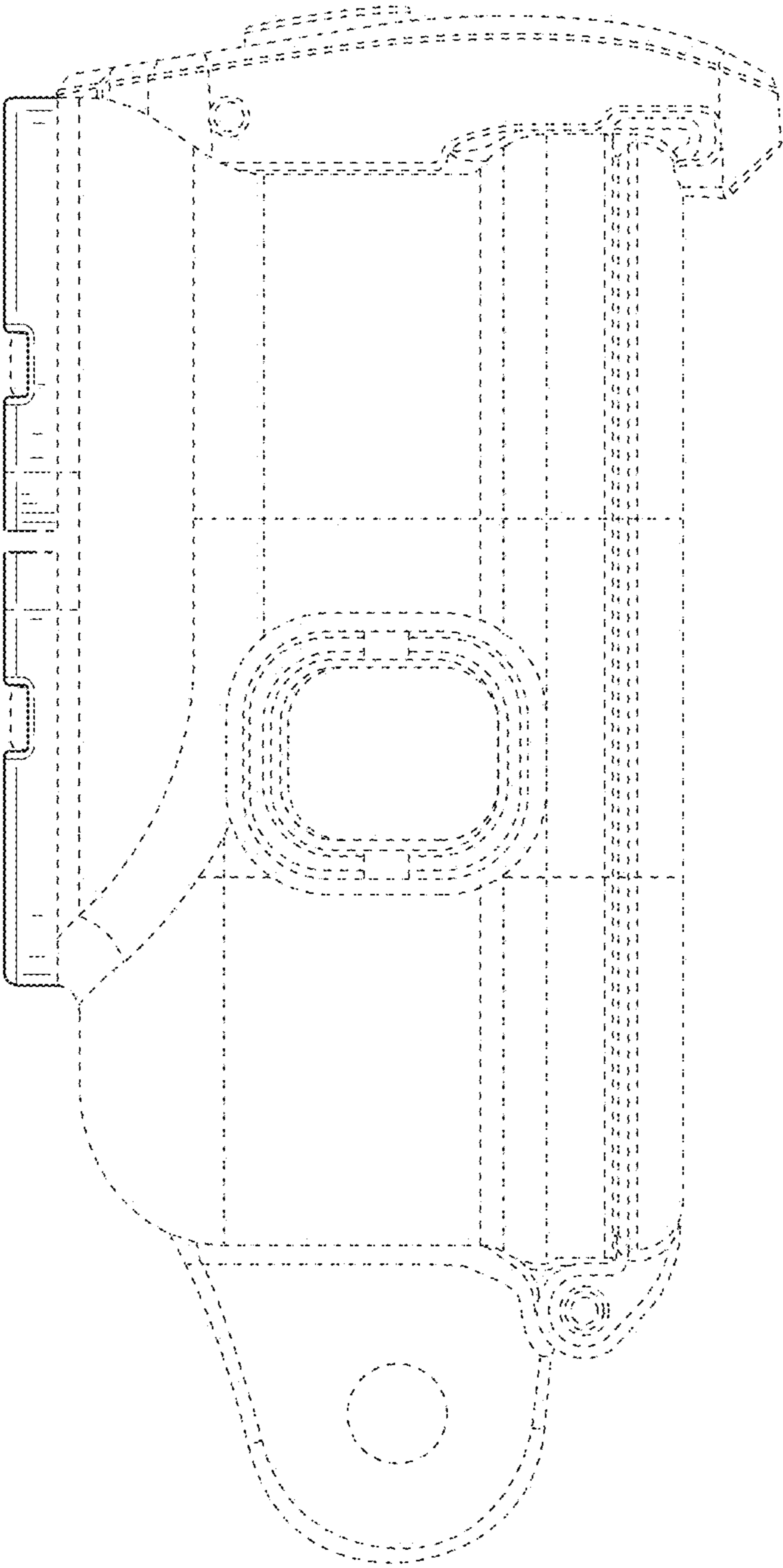


FIG. 6

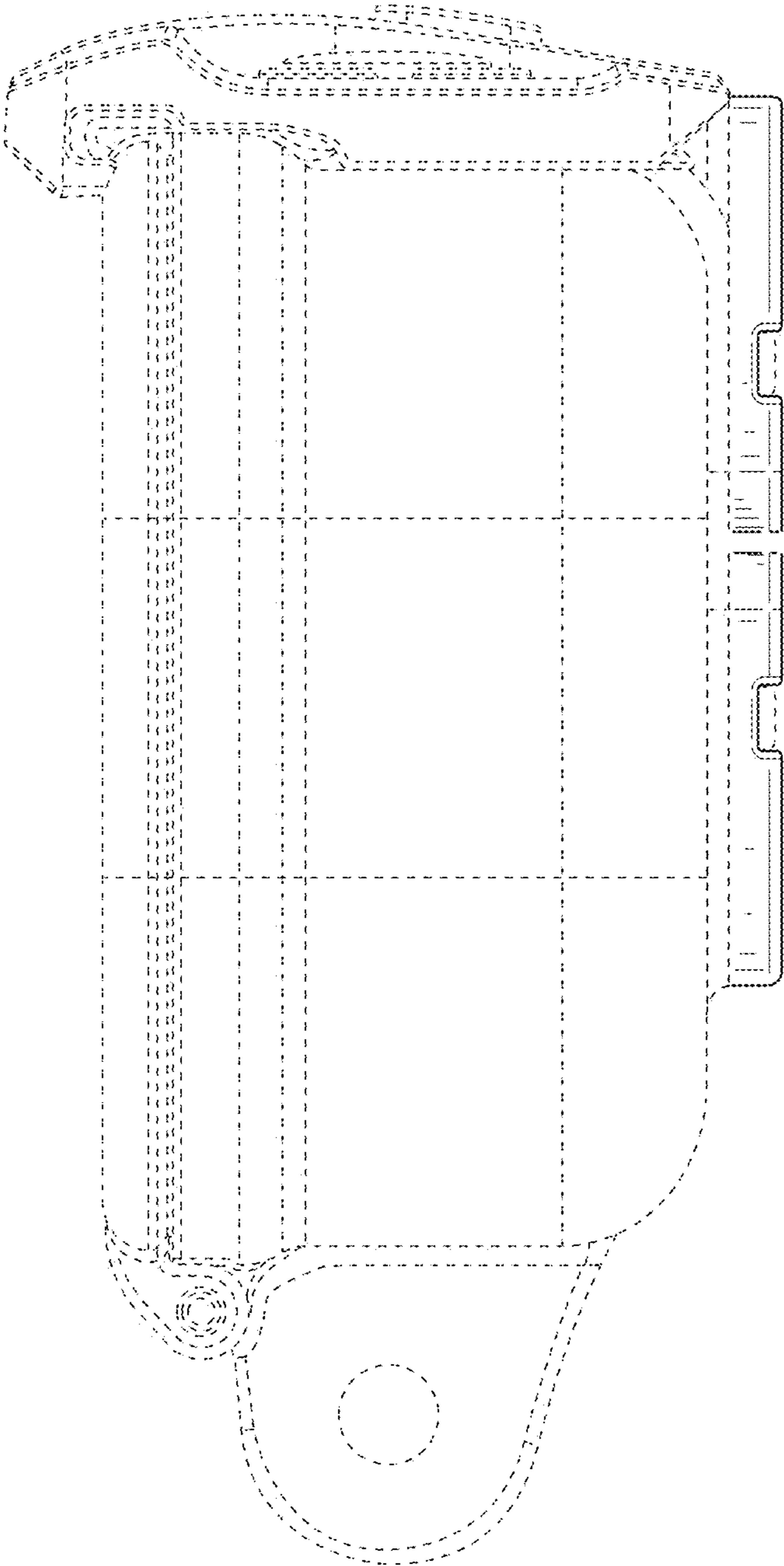


FIG. 7