



US00D954780S

(12) **United States Design Patent**
Kawamoto et al.

(10) **Patent No.:** **US D954,780 S**
(45) **Date of Patent:** **** Jun. 14, 2022**

(54) **CAMERA**

5/2254; H04N 2007/145; H04N 7/141;
H04N 7/142; H04N 7/147; H04N 7/148;
H04N 7/15; H04N 7/152

(71) Applicant: **Cisco Technology, Inc.**, San Jose, CA
(US)

See application file for complete search history.

(72) Inventors: **Nicholas James Kaoru Kawamoto**,
Novato, CA (US); **Hyunsoo Lee**, San
Francisco, CA (US); **Ramkrishna**
Swamy, Morgan Hill, CA (US); **Ian**
Matthew Snyder, San Francisco, CA
(US); **Nicholas Dye Abalos**, San
Francisco, CA (US); **Parmis Taidy**, San
Bruno, CA (US); **Brad Andrew**
Palladino, Oakland, CA (US); **Philip**
Lawrence Brown, San Francisco, CA
(US)

(56) **References Cited**

U.S. PATENT DOCUMENTS

D754,233 S	4/2016	Du et al.
D784,434 S	4/2017	Benedetti
D798,360 S	9/2017	Jeong
D813,926 S	3/2018	Shin
D828,425 S	9/2018	Piekarski et al.
D828,426 S	9/2018	Li
D849,094 S	5/2019	Gan
D882,664 S	4/2020	Tang et al.
D886,177 S	6/2020	Ramones et al.
D887,474 S	6/2020	Yeh et al.
D890,831 S	7/2020	Zheng et al.
D898,801 S	10/2020	Wu
D912,121 S	3/2021	Han

(Continued)

Primary Examiner — Ramzi Almatrahi

(74) *Attorney, Agent, or Firm* — Polsinelli PC

(73) Assignee: **CISCO TECHNOLOGY, INC.**, San
Jose, CA (US)

(**) Term: **15 Years**

(21) Appl. No.: **29/810,857**

(22) Filed: **Oct. 8, 2021**

(57) **CLAIM**

We claim the ornamental design for a camera, as shown and described.

Related U.S. Application Data

(63) Continuation of application No. 29/739,717, filed on
Jun. 29, 2020, now Pat. No. Des. 934,942.

(51) **LOC (13) Cl.** **16-05**

(52) **U.S. Cl.**
USPC **D16/219**; D16/203

(58) **Field of Classification Search**
USPC D16/200, 202–205, 208, 211, 214, 218,
D16/219, 221, 242; D14/447;
348/14.01–14.6, 143, 148, 373–376;
396/419, 427, 535, 539–541
CPC G03B 17/02; G03B 19/04; G03B 17/56;
G03B 17/04; G03B 15/03; H04N 5/2251;
H04N 5/2252; H04N 5/2253; H04N

DESCRIPTION

FIG. 1 is a front perspective view of a camera, showing our new design;

FIG. 2 is a front elevational view thereof;

FIG. 3 is a rear elevational view thereof;

FIG. 4 is a right side elevational view thereof;

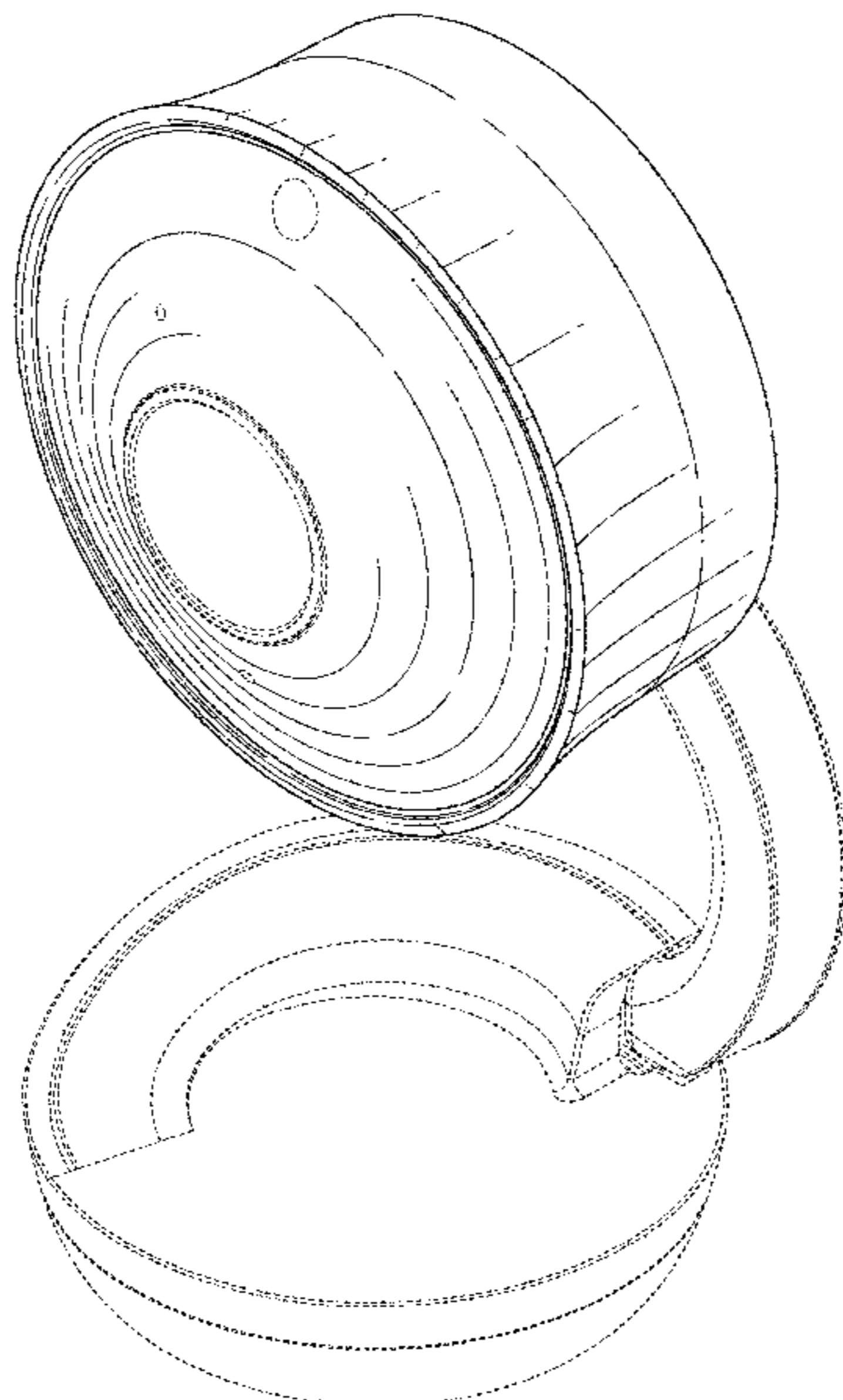
FIG. 5 is a left side elevational view thereof;

FIG. 6 is a top plan view thereof; and,

FIG. 7 is a bottom plan view thereof.

The broken lines depict portions of the camera in which the design is embodied that form no part of the claimed design.

1 Claim, 7 Drawing Sheets



(56)

References Cited

U.S. PATENT DOCUMENTS

D912,122 S	3/2021	McManigal et al.	
D914,076 S	3/2021	Abel et al.	
D925,640 S *	7/2021	Miller	D16/203
D926,857 S *	8/2021	Zhang	D16/218
D930,062 S *	9/2021	Abel	D16/202
D935,430 S *	11/2021	Xie	D14/159
D935,508 S *	11/2021	Zhang	D16/203
D937,923 S *	12/2021	Lin	D16/203
D937,924 S *	12/2021	Dong	D16/203
D939,007 S *	12/2021	Wei	D16/203

* cited by examiner

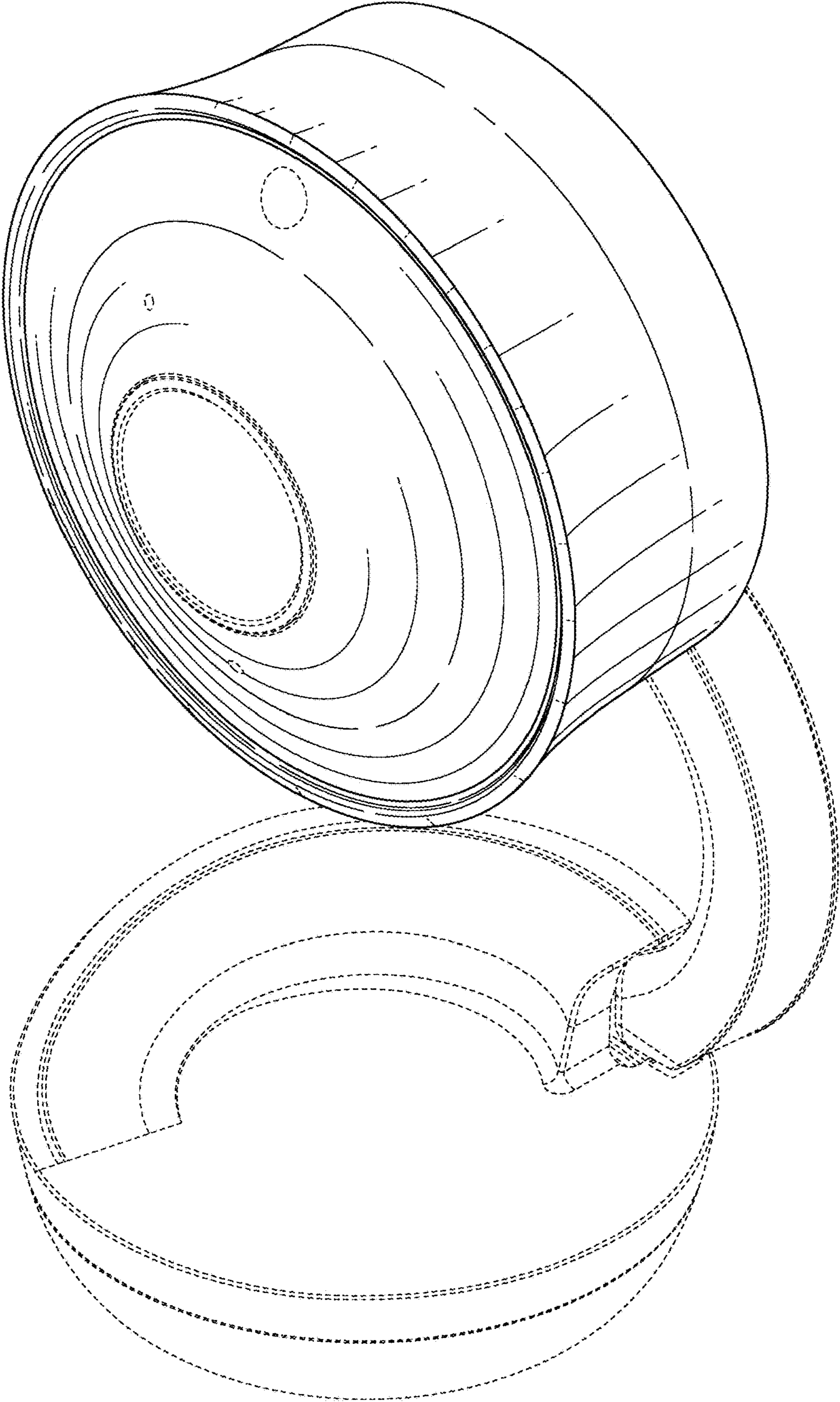


FIG. 1

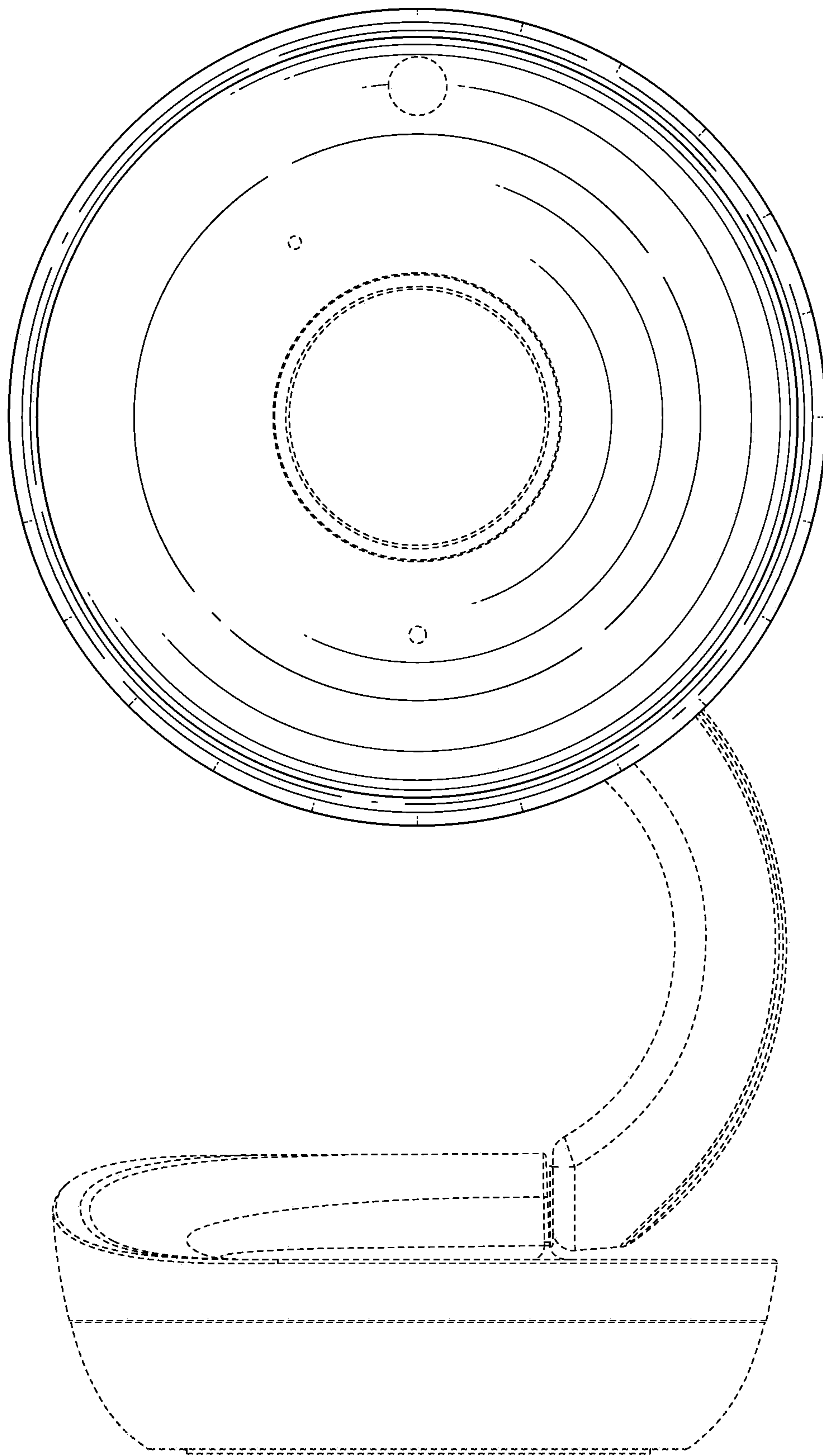


FIG. 2

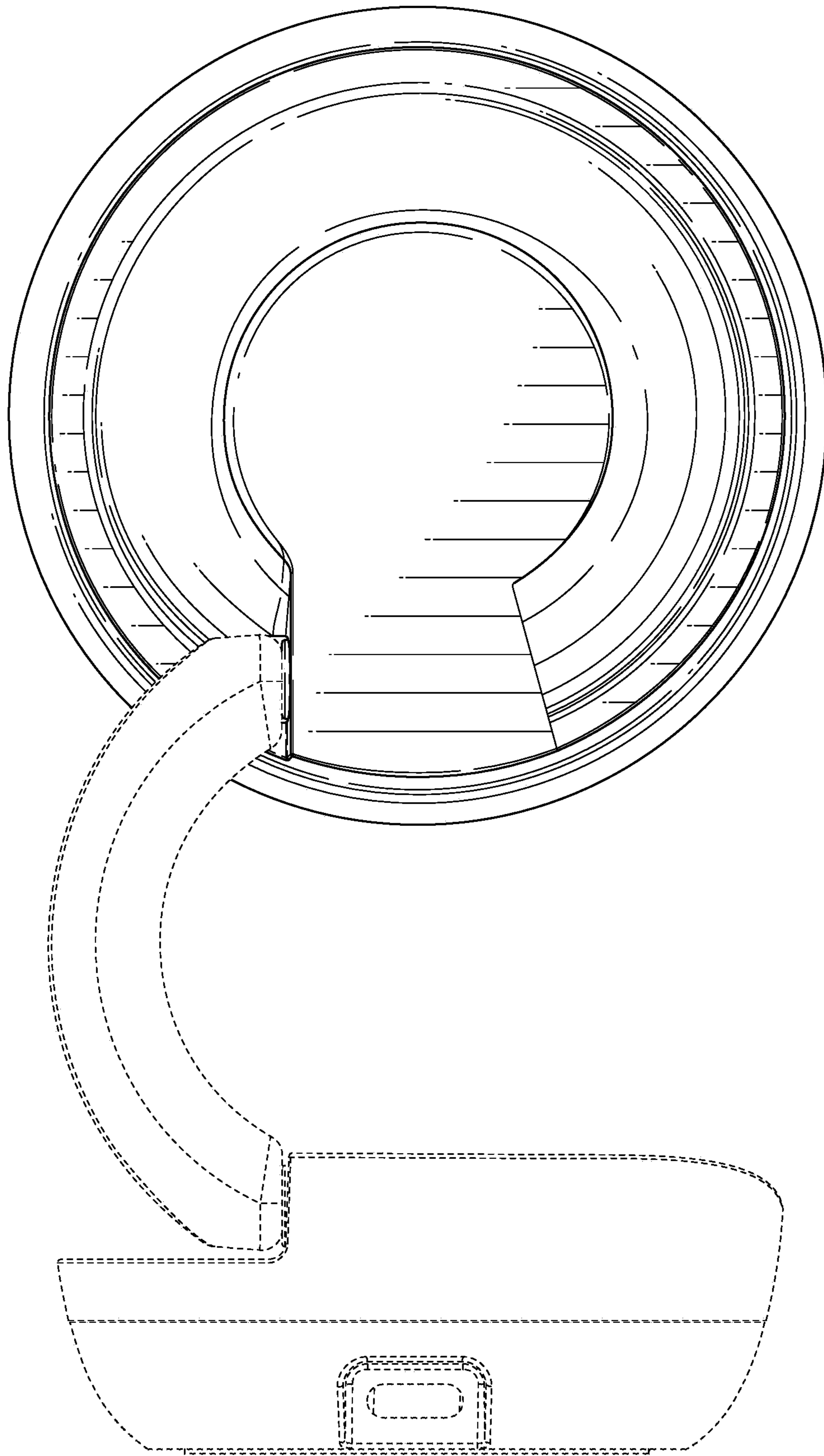


FIG. 3

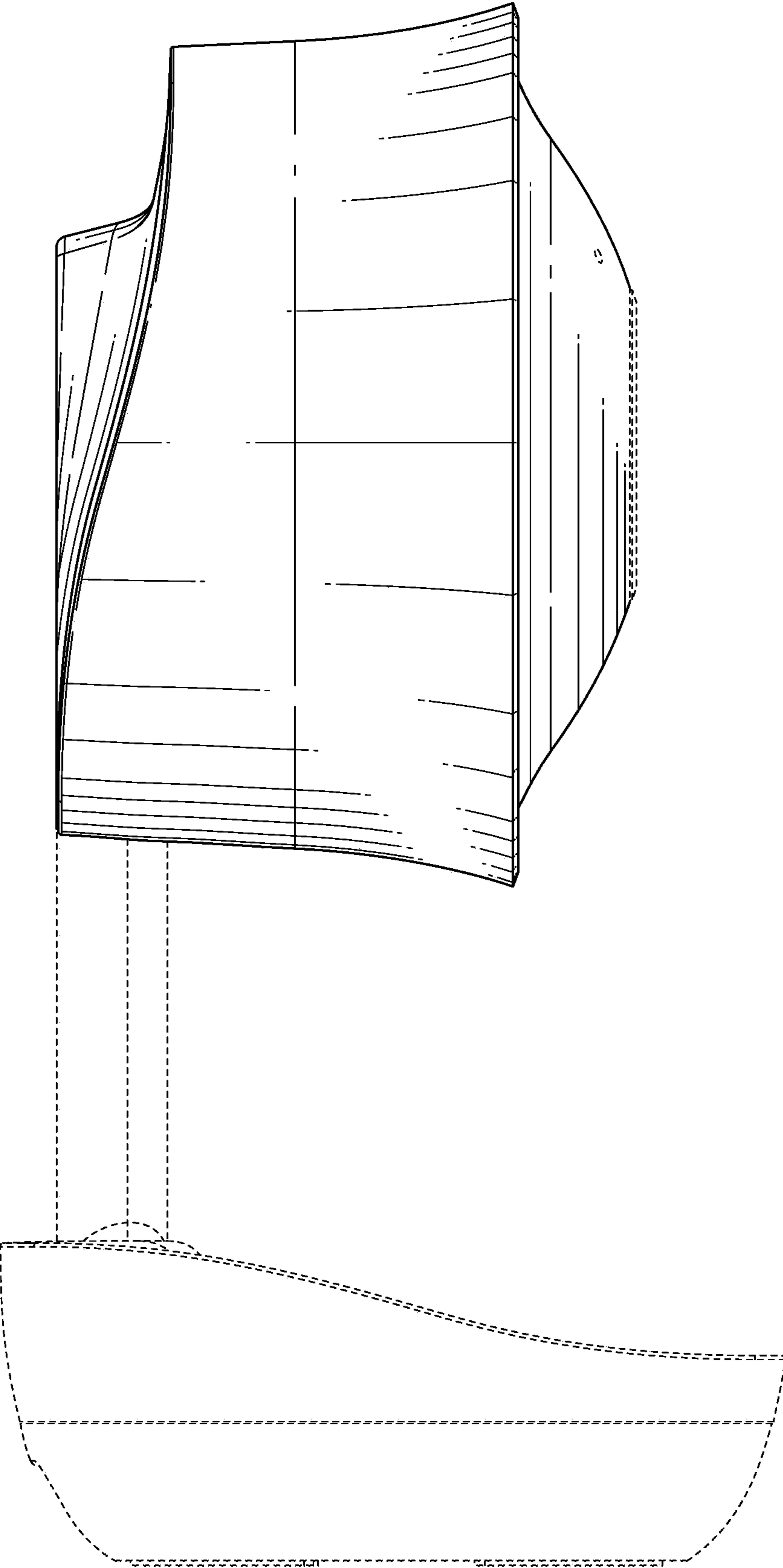


FIG. 4

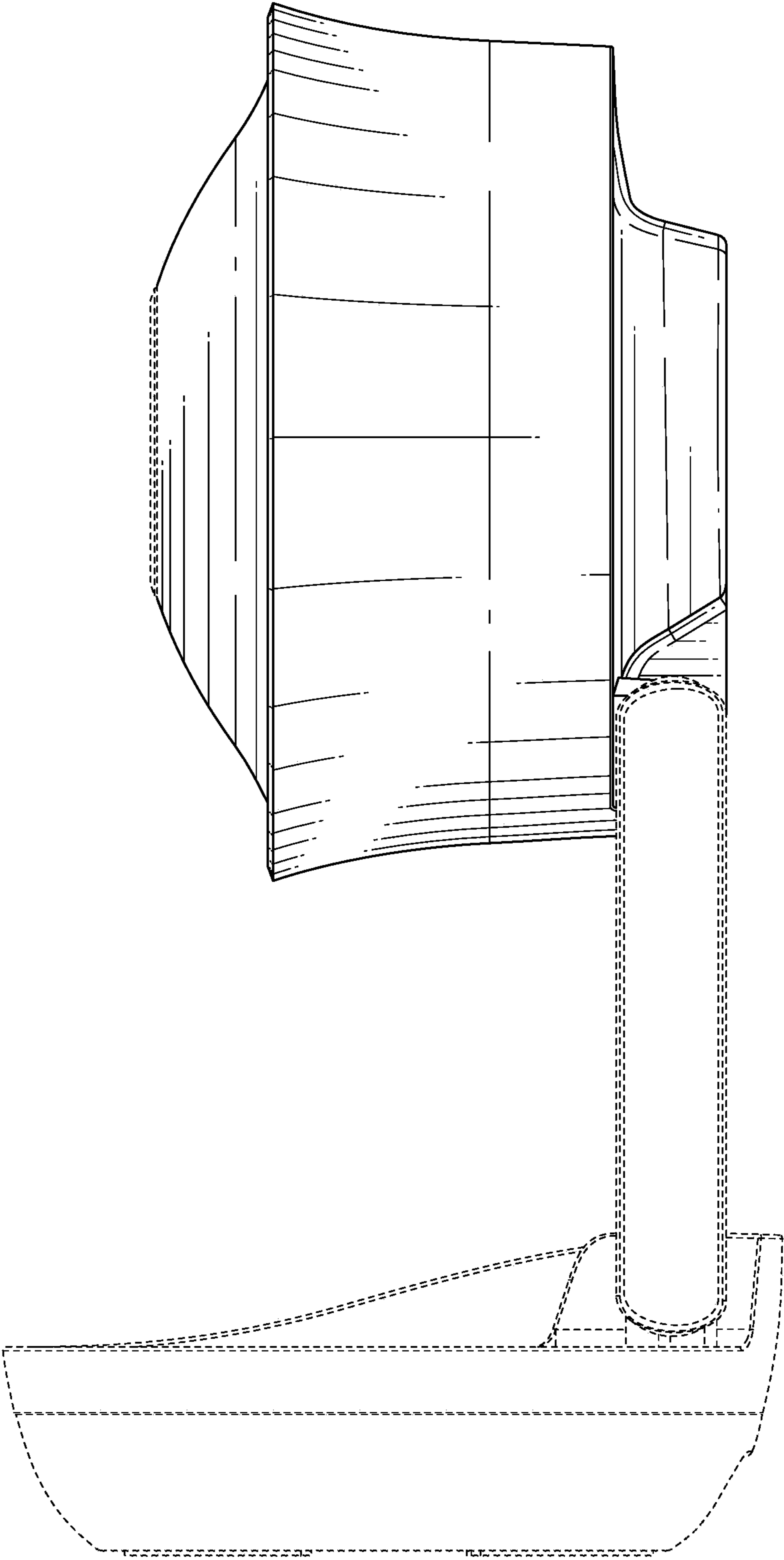


FIG. 5

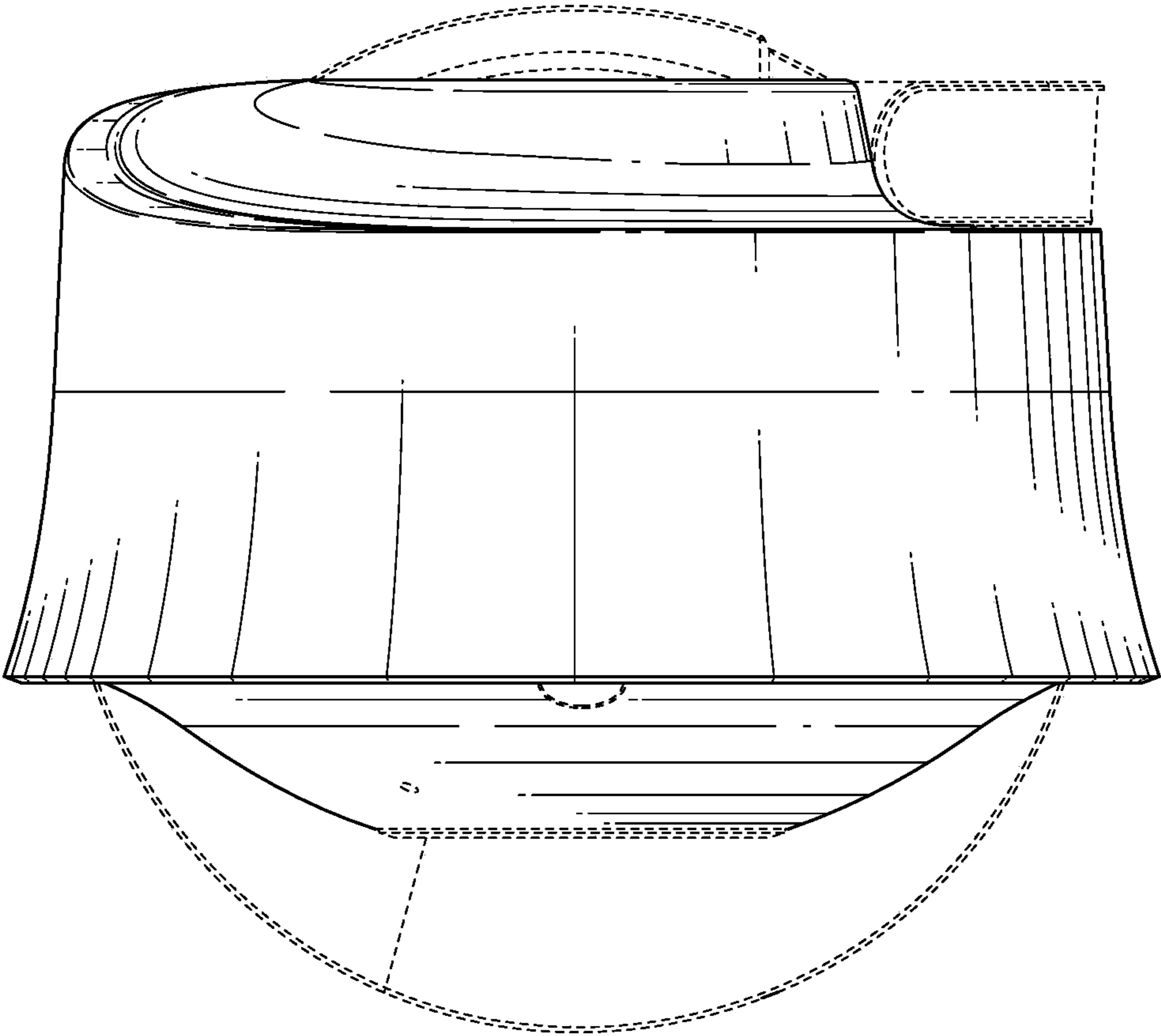


FIG. 6

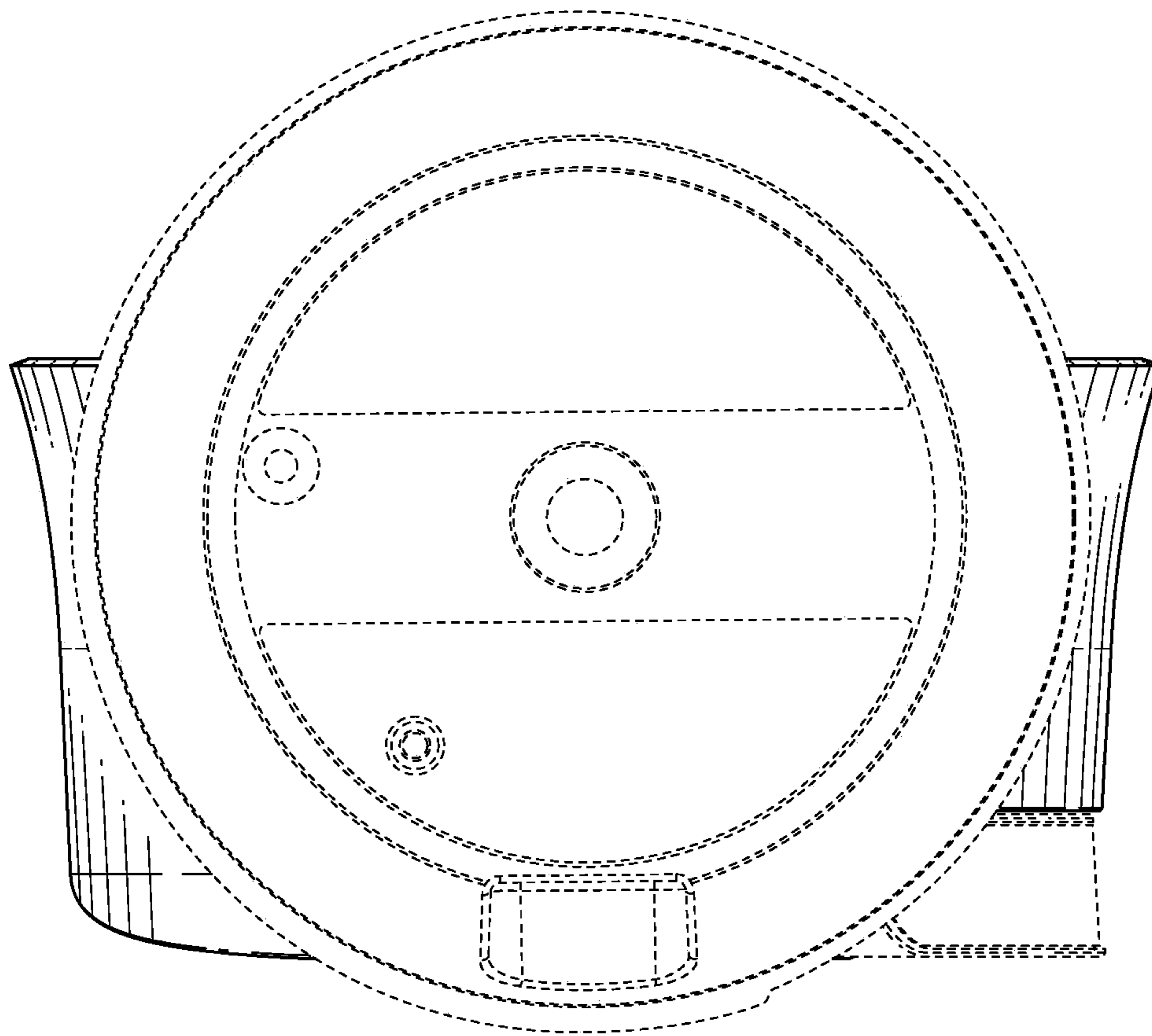


FIG. 7