



US00D954779S

(12) **United States Design Patent**  
**Ikegame**

(10) **Patent No.:** **US D954,779 S**  
(45) **Date of Patent:** **\*\* Jun. 14, 2022**

(54) **LENS FOR CAMERA**

(71) Applicant: **FUJIFILM Corporation**, Tokyo (JP)

(72) Inventor: **Haruka Ikegame**, Saitama (JP)

(73) Assignee: **FUJIFILM Corporation**, Tokyo (JP)

(\*\*) Term: **15 Years**

(21) Appl. No.: **29/741,465**

(22) Filed: **Jul. 13, 2020**

(30) **Foreign Application Priority Data**

Jan. 31, 2020 (JP) ..... 2020-001853 D

(51) **LOC (13) Cl.** ..... **16-05**

(52) **U.S. Cl.**  
USPC ..... **D16/219**

(58) **Field of Classification Search**  
USPC ..... D16/134, 136, 200, 202-205, 218, 219,  
D16/235; 348/373-376; 359/826-828;  
396/529-532, 535, 539-541  
CPC ..... G03B 17/02; G03B 19/04; G03B 17/56;  
G03B 17/04; G03B 15/03; G03B 17/14;  
H04N 5/2251; H04N 5/2252; H04N  
5/2253; H04N 5/2254; G02B 7/02; G02B  
7/04; G02B 7/14

See application file for complete search history.

(56) **References Cited**

**U.S. PATENT DOCUMENTS**

D566,158 S \* 4/2008 Yasutomi ..... D16/134  
D836,152 S \* 12/2018 Ikegame ..... D16/219  
D837,276 S \* 1/2019 Ikegame ..... D16/219  
D837,277 S \* 1/2019 Ikegame ..... D16/219  
D857,080 S \* 8/2019 Kamei ..... D16/219  
D881,260 S \* 4/2020 Ikegame ..... D16/219  
D881,261 S \* 4/2020 Ikegame ..... D16/219  
D881,262 S \* 4/2020 Ikegame ..... D16/219  
D882,668 S \* 4/2020 Ikegame ..... D16/219

D884,057 S \* 5/2020 Weber ..... D16/219  
D904,492 S \* 12/2020 Saito ..... D16/219  
D918,987 S \* 5/2021 Mori ..... D16/219

**FOREIGN PATENT DOCUMENTS**

JP 1446822 S 7/2012  
JP 1573026 S 4/2017  
JP 1575236 S 5/2017

**OTHER PUBLICATIONS**

FUJIFILM Corporation, published on the website, (Japan Patent Office, Industrial Design Section Official Gazette No. HJ23073417), Publication date: Feb. 20, 2012.

FUJIFILM Corporation, published on the website, (Japan Patent Office, Industrial Design Section Official Gazette No. HJ29008677), Publication date: May 29, 2017.

A Notification mailed by the Japanese Patent Office on Sep. 29, 2020, which corresponds to Japanese Design Application No. 2020-001853 and is related to Design U.S. Appl. No. 29/741,465.

\* cited by examiner

*Primary Examiner* — Ramzi Almatrahi

(74) *Attorney, Agent, or Firm* — Studebaker & Brackett PC

(57) **CLAIM**

The ornamental design for a lens for camera, as shown and described.

**DESCRIPTION**

FIG. 1 is a top and left side perspective view of a lens for camera showing my new design;  
FIG. 2 is a top and right side perspective view thereof;  
FIG. 3 is a front view thereof;  
FIG. 4 is a rear view thereof;  
FIG. 5 is a top plan view thereof;  
FIG. 6 is a bottom plan view thereof;  
FIG. 7 is a right side view thereof; and,  
FIG. 8 is a left side view thereof.

**1 Claim, 8 Drawing Sheets**

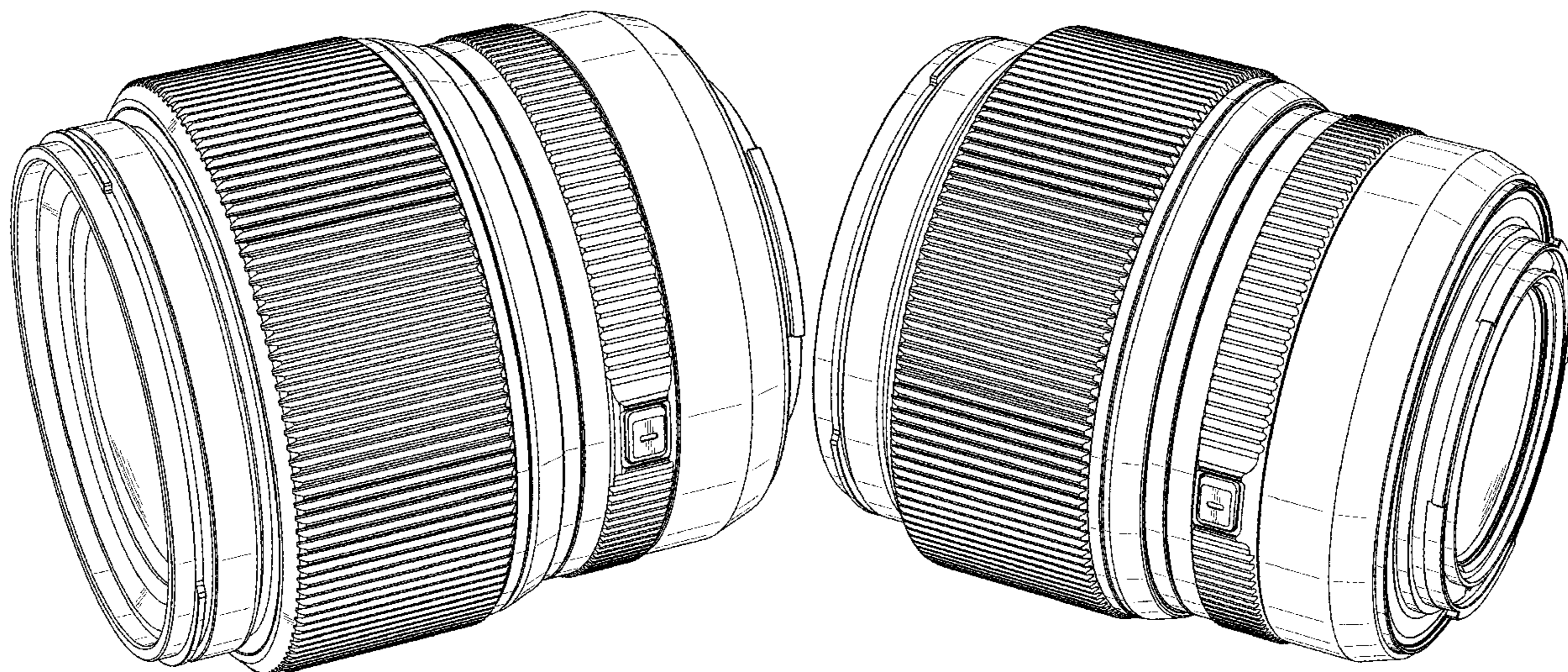
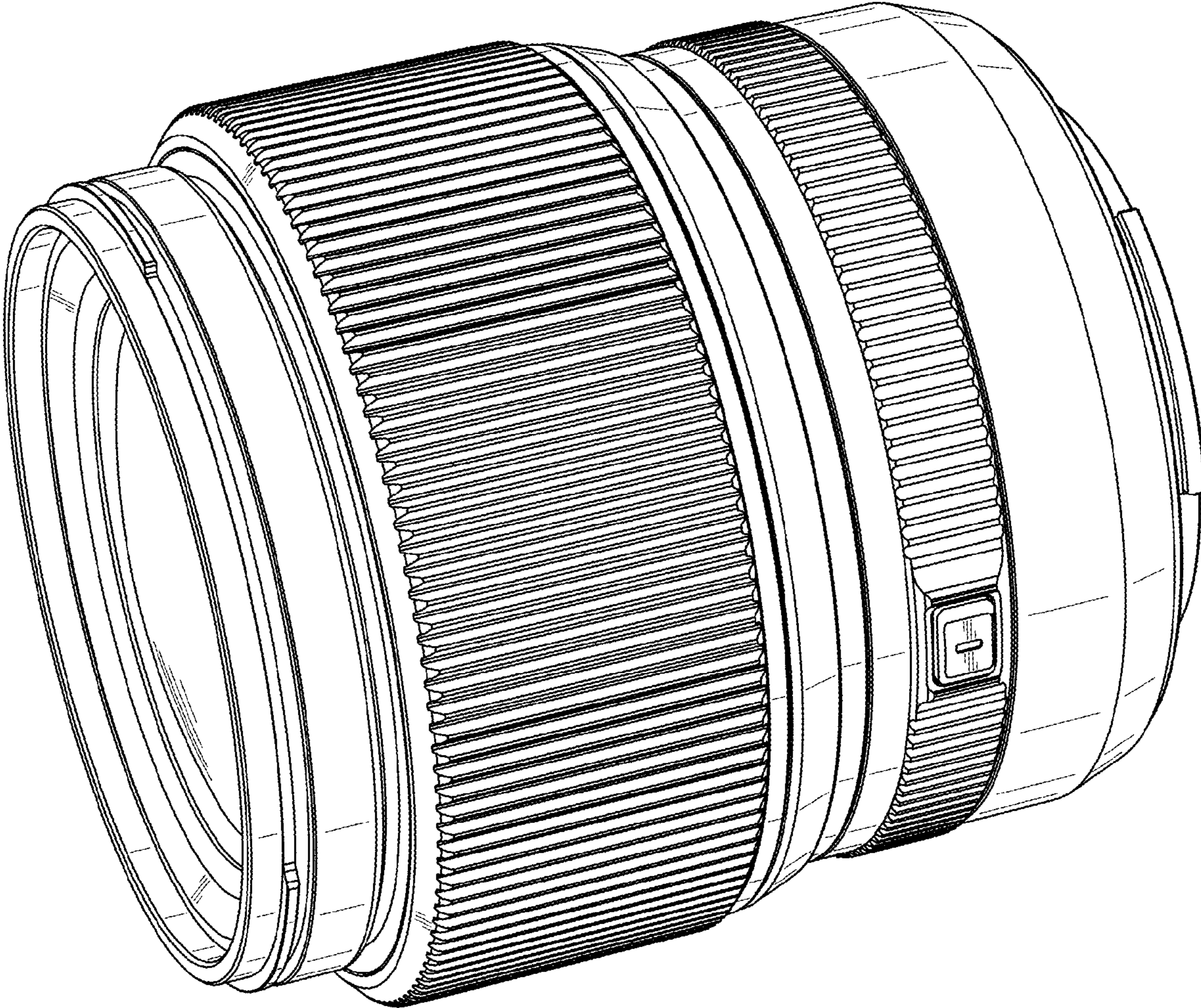


FIG. 1



**FIG. 2**

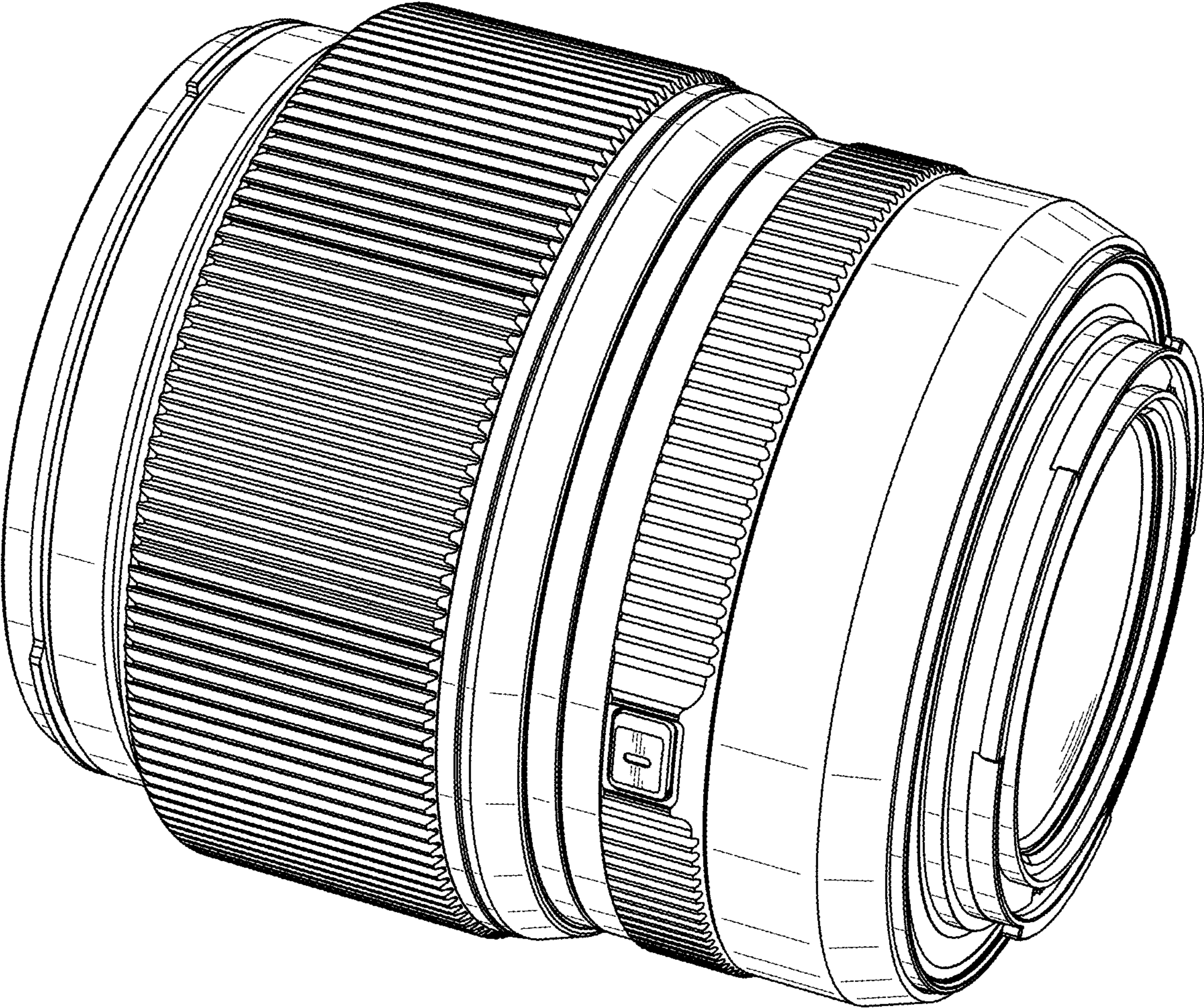


FIG. 3

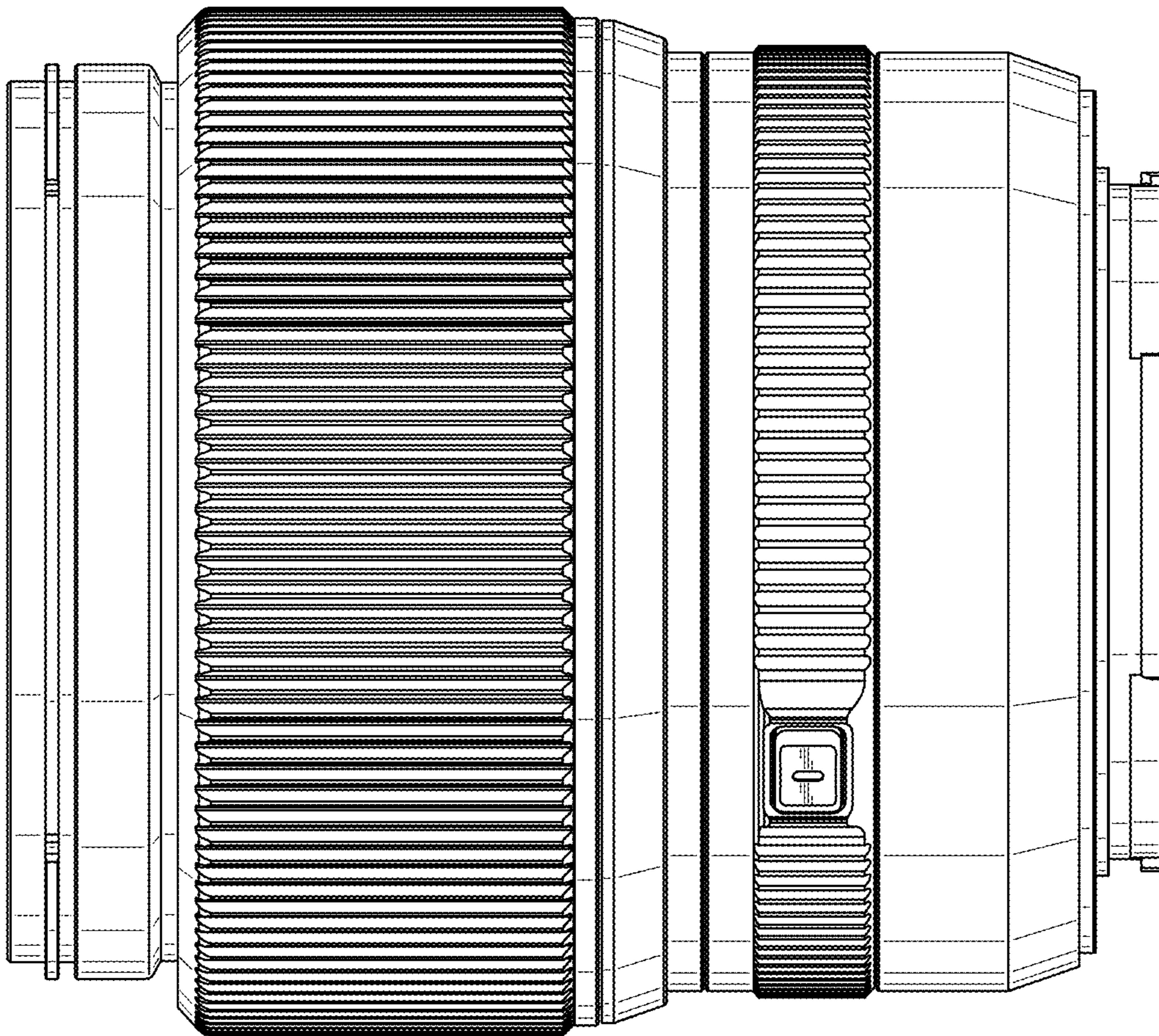


FIG. 4

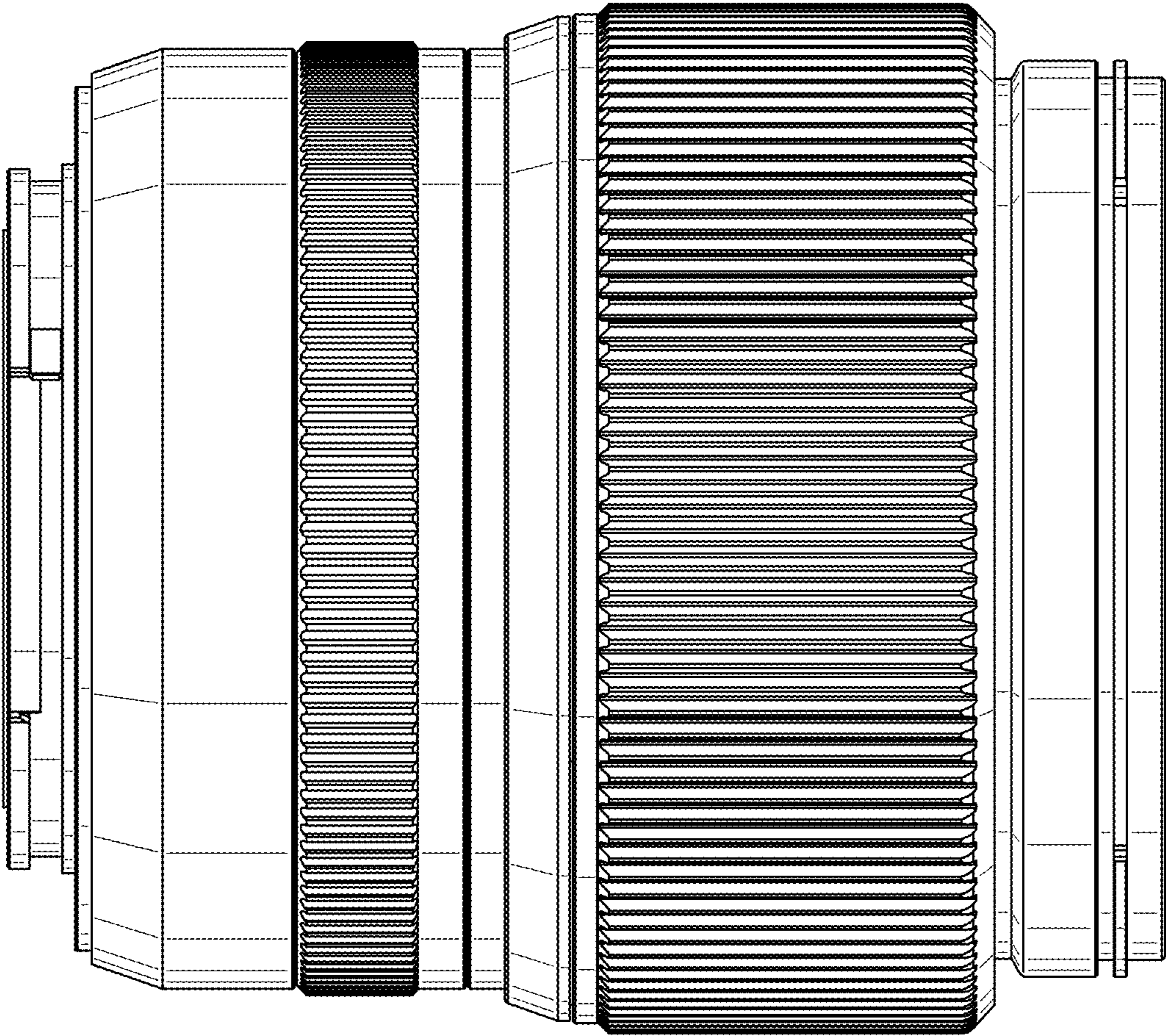


FIG. 5

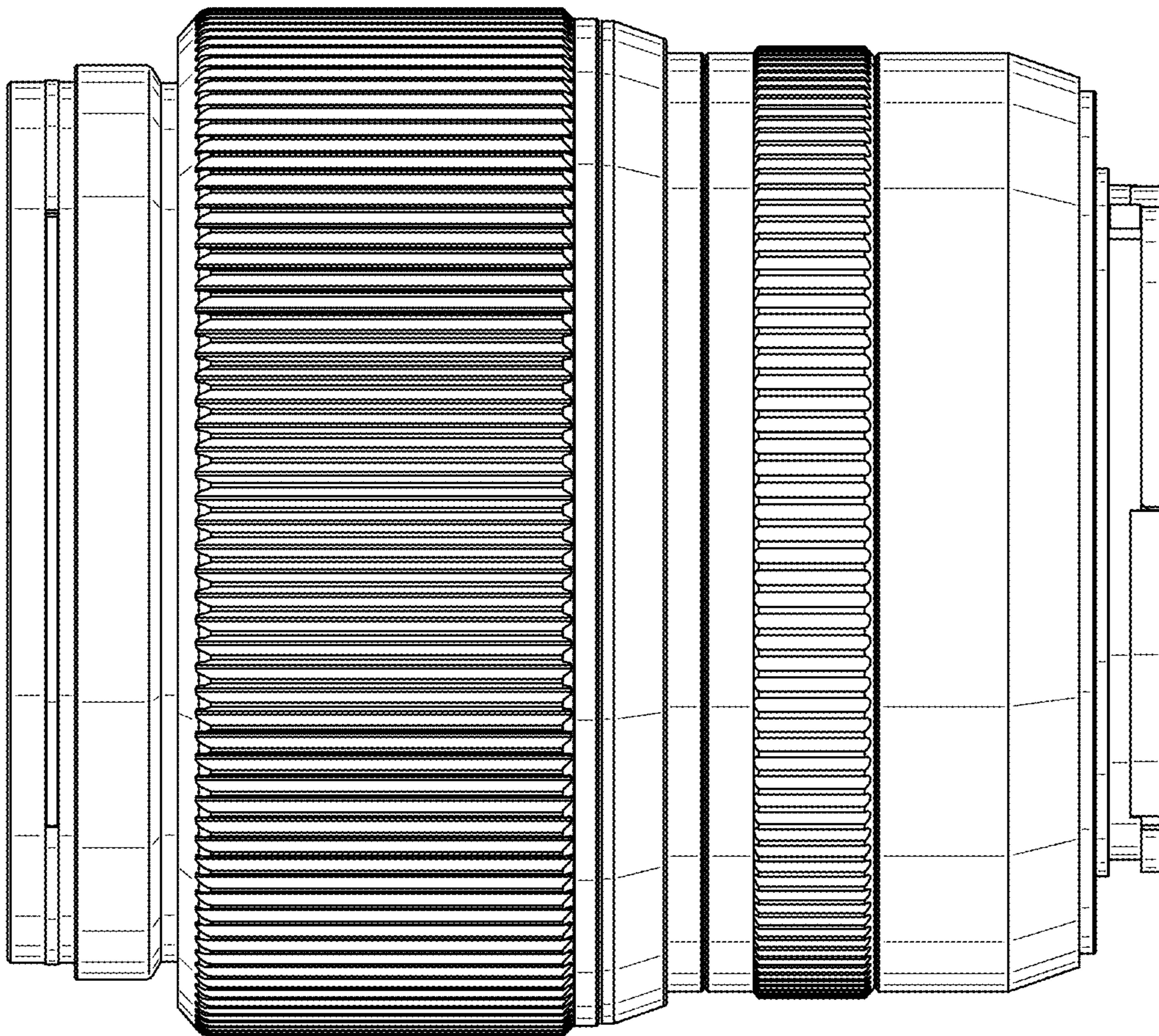
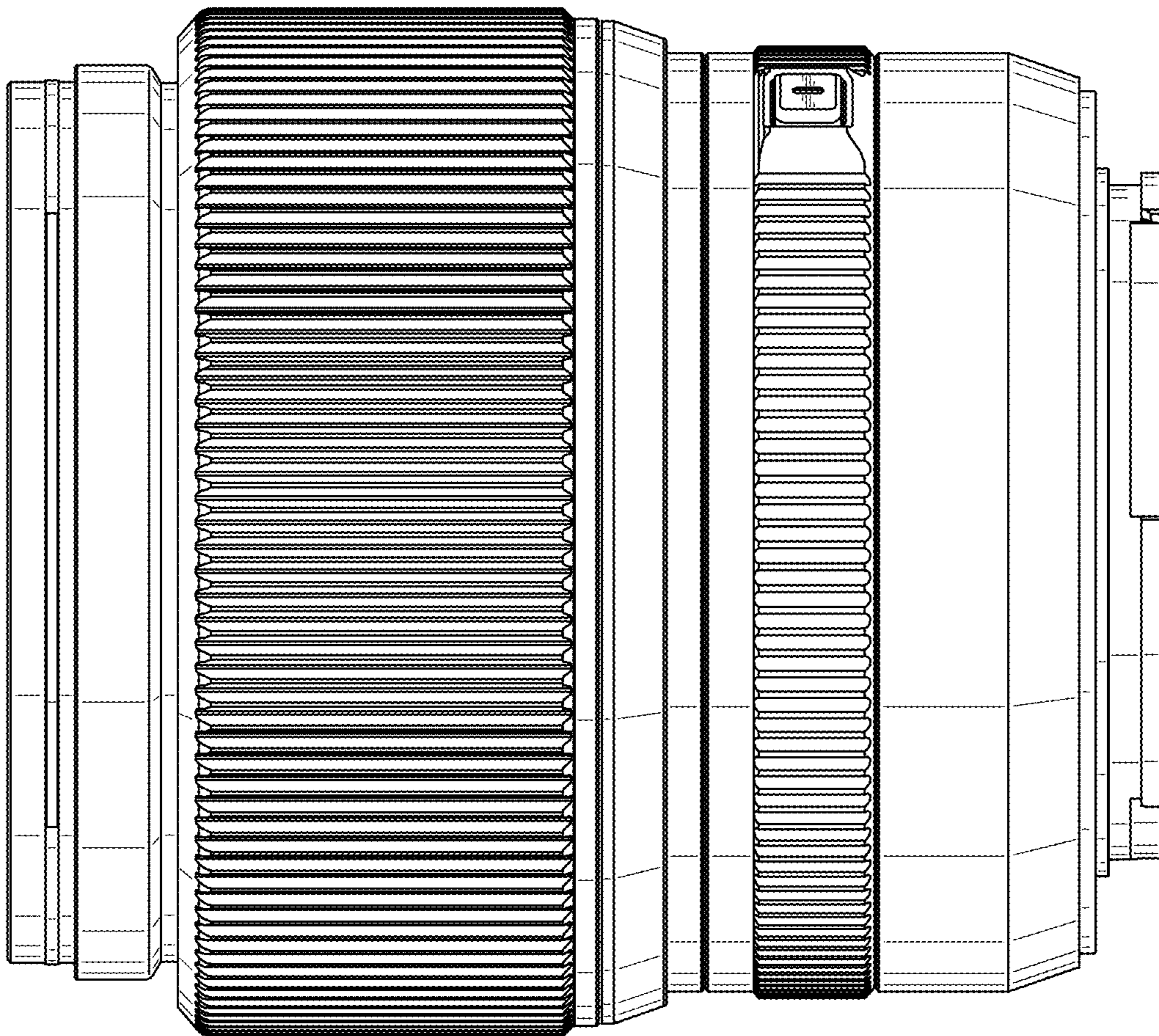
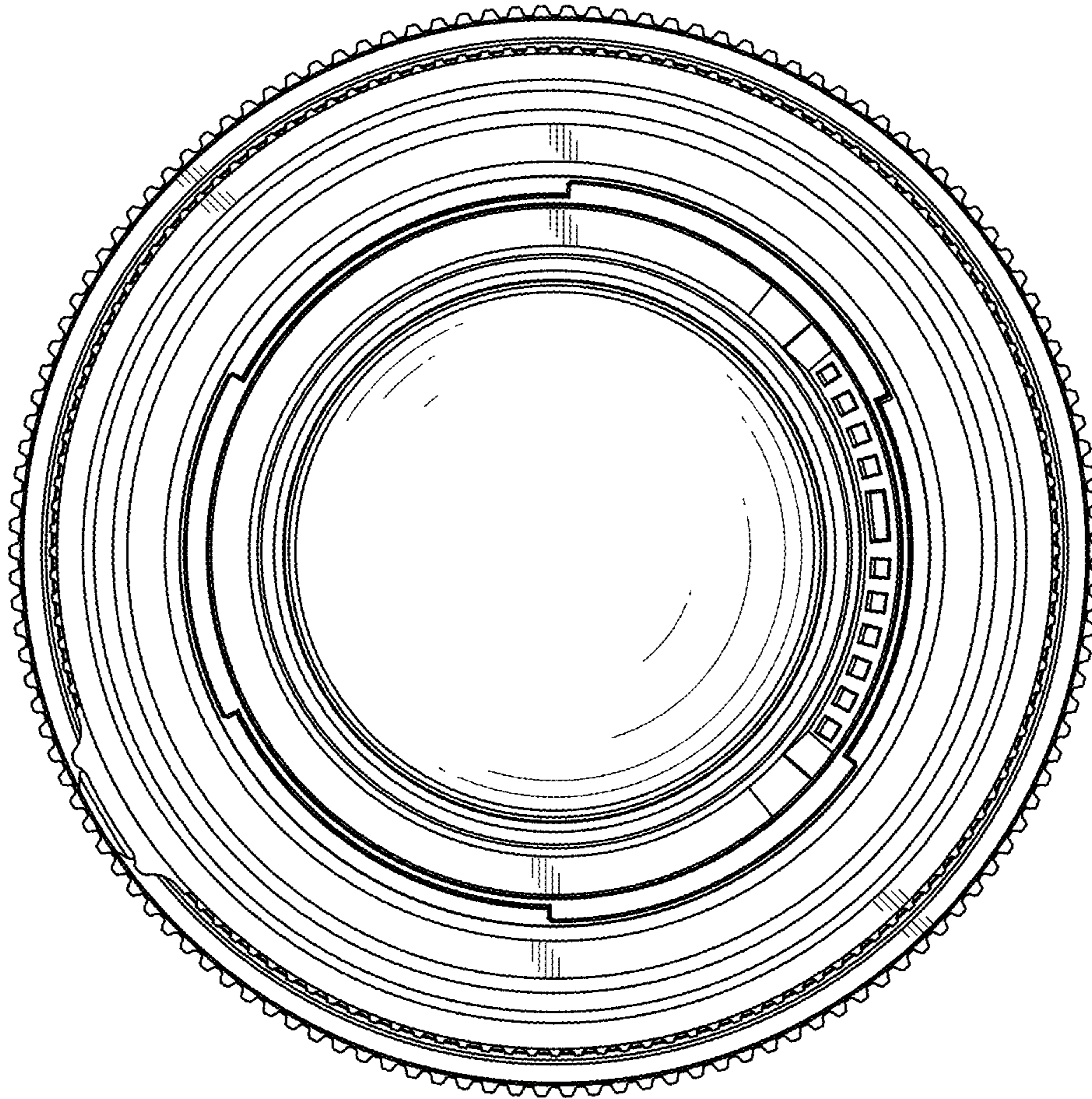


FIG. 6



**FIG. 7**





**FIG. 8**

