



US00D954777S

(12) **United States Design Patent**  
**Zhao**

(10) **Patent No.:** **US D954,777 S**  
(45) **Date of Patent:** **\*\* Jun. 14, 2022**

(54) **WEBCAM**  
(71) Applicant: **Shenzhen Gaoxinde Electronic Commerce Co., Ltd.**, Guangdong (CN)  
(72) Inventor: **Jingdan Zhao**, Guangdong (CN)  
(73) Assignee: **Shenzhen Gaoxinde Electronic Commerce Co., Ltd.**, Guangdong (GN)  
(\*\*) Term: **15 Years**

(21) Appl. No.: **29/787,939**  
(22) Filed: **Jun. 9, 2021**  
(51) **LOC (13) Cl.** ..... **16-01**  
(52) **U.S. Cl.**  
USPC ..... **D16/202**  
(58) **Field of Classification Search**  
USPC ..... D16/200, 202–203, 208, 218, 219, 242;  
248/187.1; 348/14.01–14.6, 143, 148,  
348/151, 373–376; 396/419, 427, 428,  
396/535, 539–541  
CPC ..... G03B 17/02; G03B 19/04; G03B 17/56;  
G03B 17/04; G03B 15/03; H04N  
2101/00; H04N 2007/145; H04N 7/141;  
H04N 7/142; H04N 7/147; H04N 7/148;  
H04N 7/15; H04N 7/152  
See application file for complete search history.

(56) **References Cited**  
**U.S. PATENT DOCUMENTS**  
D478,922 S \* 8/2003 Han ..... D16/202  
D552,144 S \* 10/2007 Logan ..... D16/202  
D563,446 S \* 3/2008 Stephens ..... D16/202

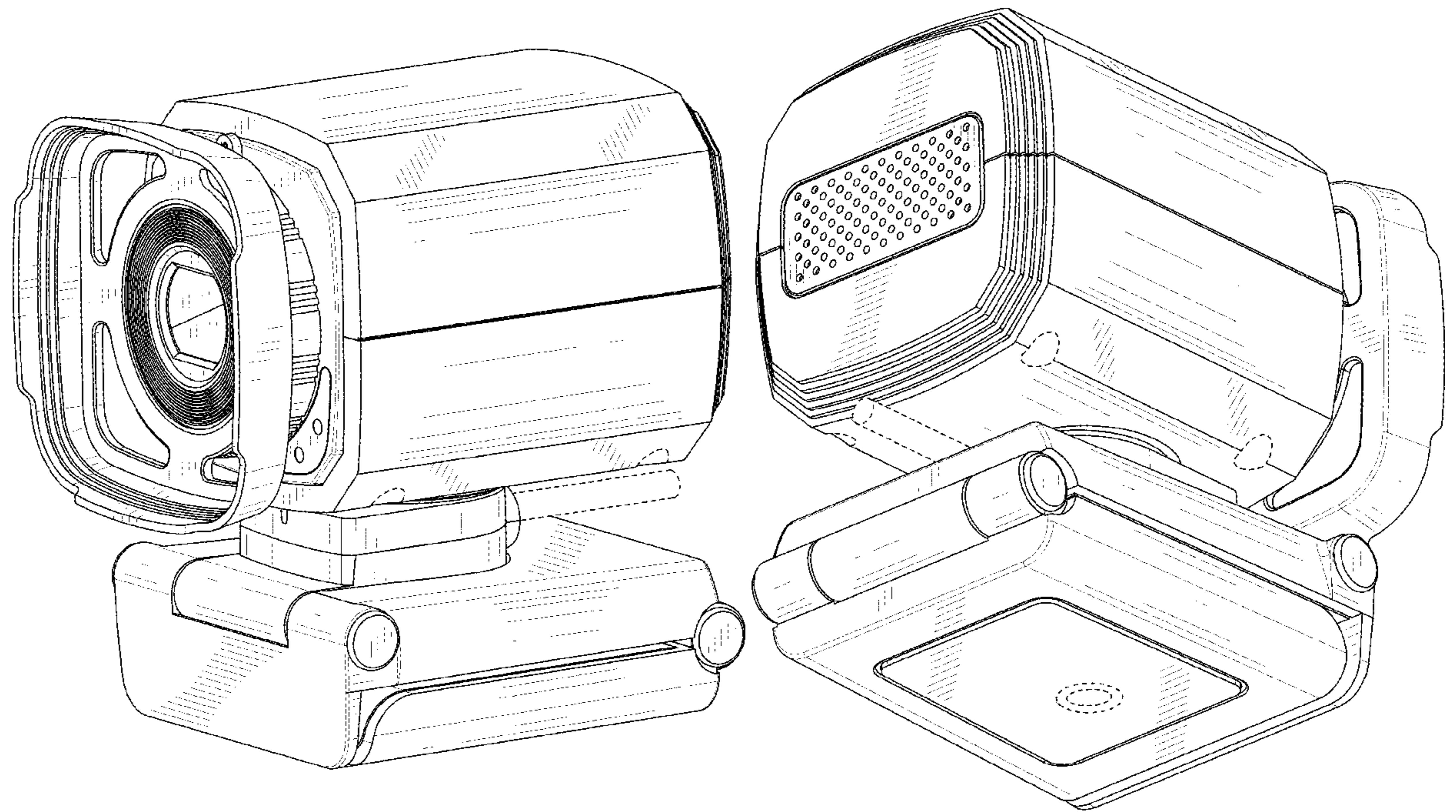
D573,622 S \* 7/2008 Fisher ..... D16/202  
D626,580 S \* 11/2010 Tzeng ..... D16/202  
D626,983 S \* 11/2010 Serge ..... D16/202  
D678,929 S \* 3/2013 Hancock ..... D16/202  
D730,966 S \* 6/2015 Liu ..... D16/202  
D810,804 S \* 2/2018 Borel ..... D16/203  
D830,443 S \* 10/2018 Borel ..... D16/203  
D849,098 S \* 5/2019 Kapuria et al.  
D873,882 S \* 1/2020 Wang ..... D16/202  
D880,554 S \* 4/2020 Yu ..... D16/203  
D907,091 S \* 1/2021 Lv et al.  
D910,730 S \* 2/2021 Hao ..... D16/202

\* cited by examiner  
*Primary Examiner* — Ramzi Almatrahi  
(74) *Attorney, Agent, or Firm* — ScienBiziP, P.C.

(57) **CLAIM**  
The ornamental design for a webcam, as shown and described.

**DESCRIPTION**  
FIG. 1 is a front, right, and top perspective view of a webcam, showing my design.  
FIG. 2 is a rear, left, and bottom perspective view thereof.  
FIG. 3 is a front elevation view thereof.  
FIG. 4 is a rear elevation view thereof.  
FIG. 5 is a left side elevation view thereof.  
FIG. 6 is a right side elevation view thereof.  
FIG. 7 is a top plan view thereof; and,  
FIG. 8 is a bottom plan view thereof.  
The broken lines shown in the drawings are included for the purpose of illustrating portions of the webcam that form no part of the claimed design.

**1 Claim, 8 Drawing Sheets**



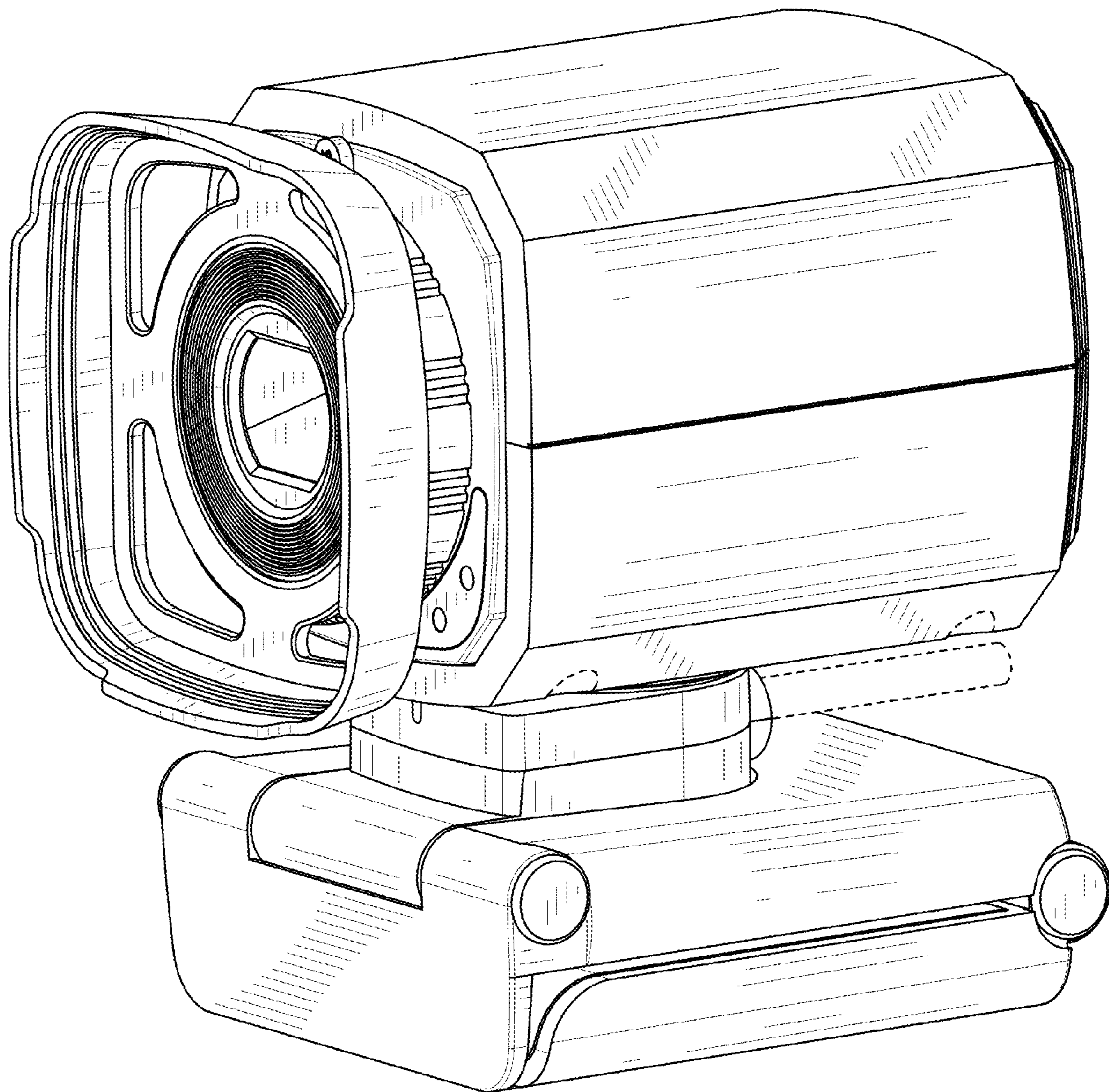


FIG. 1

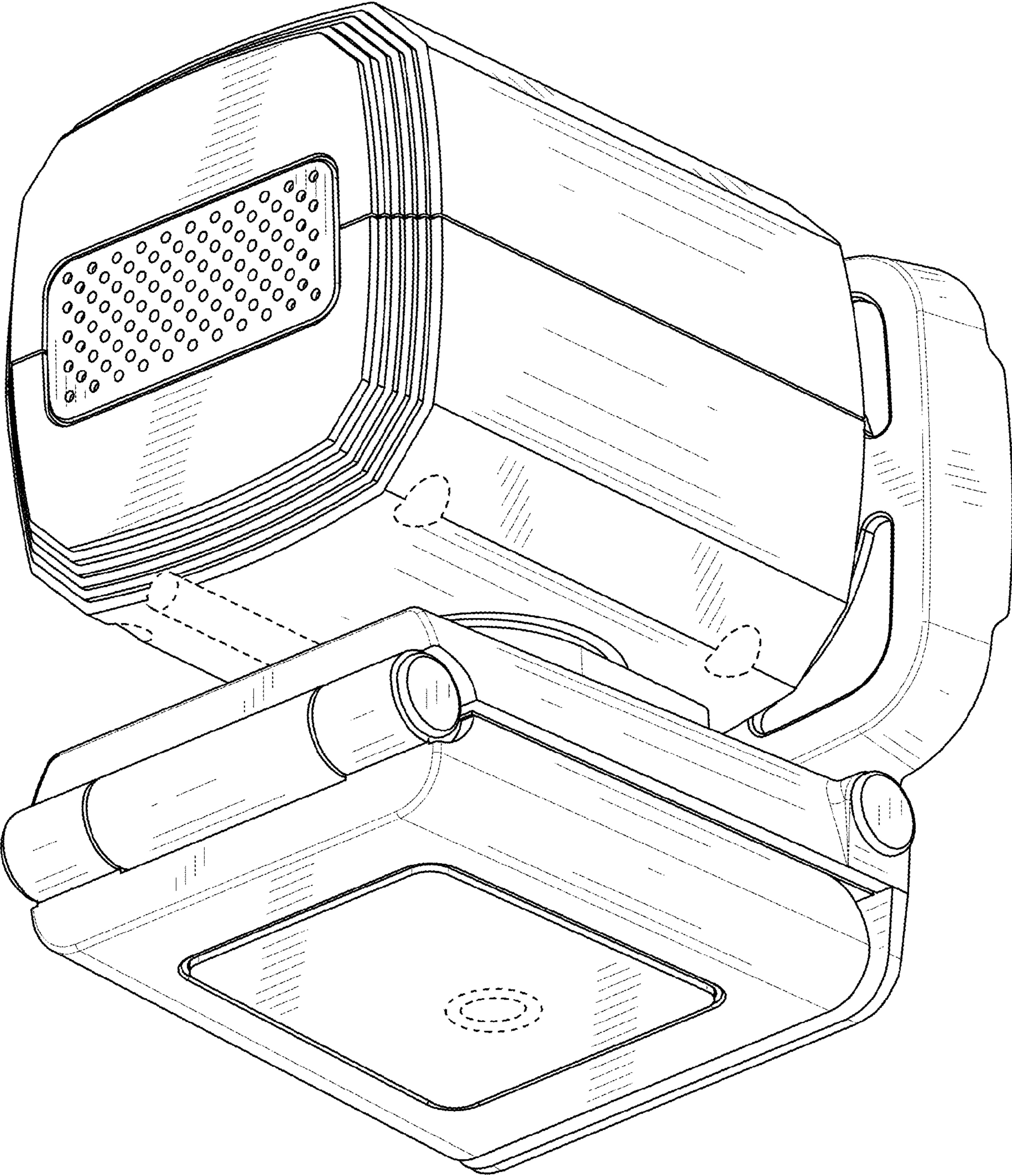


FIG. 2

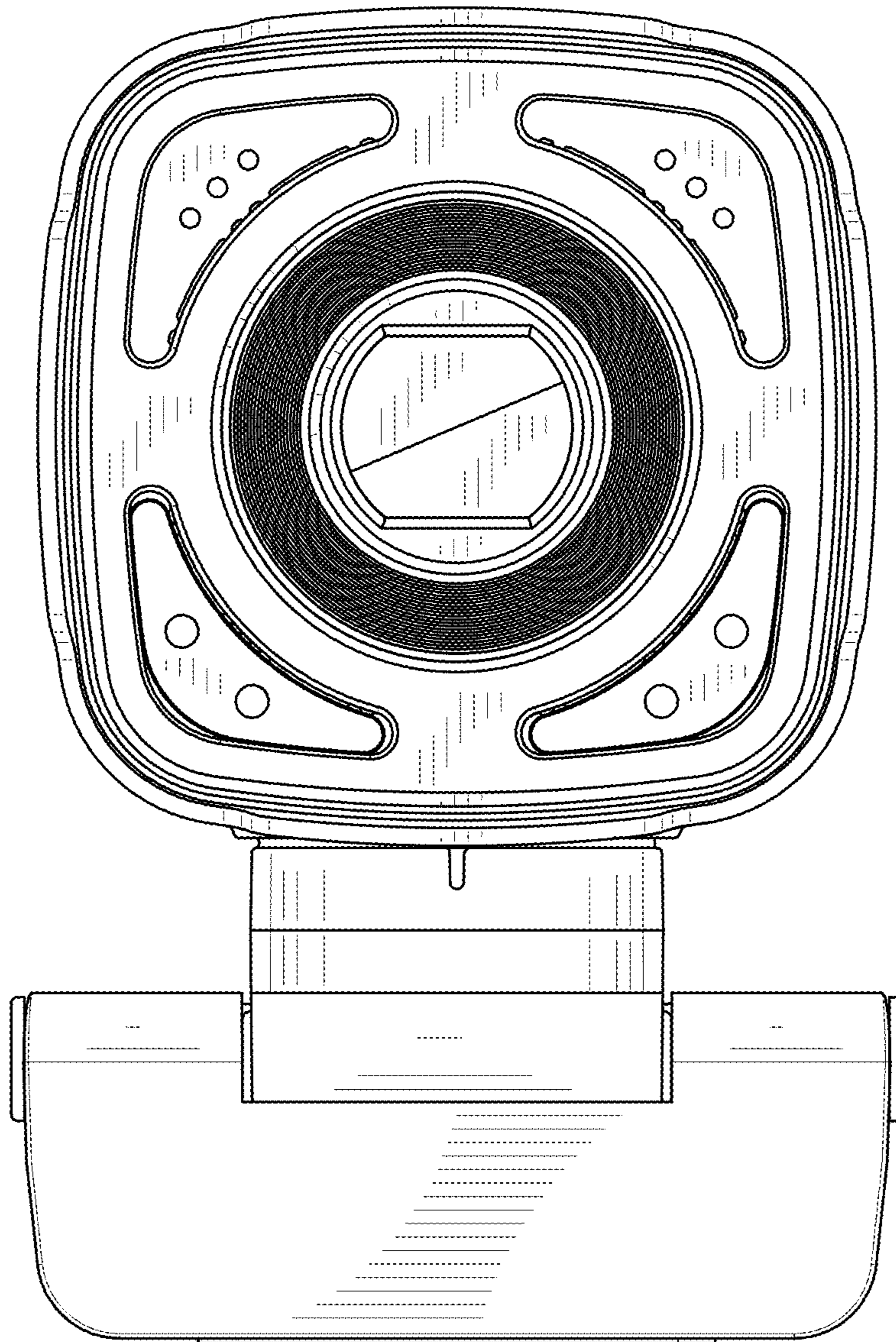


FIG. 3

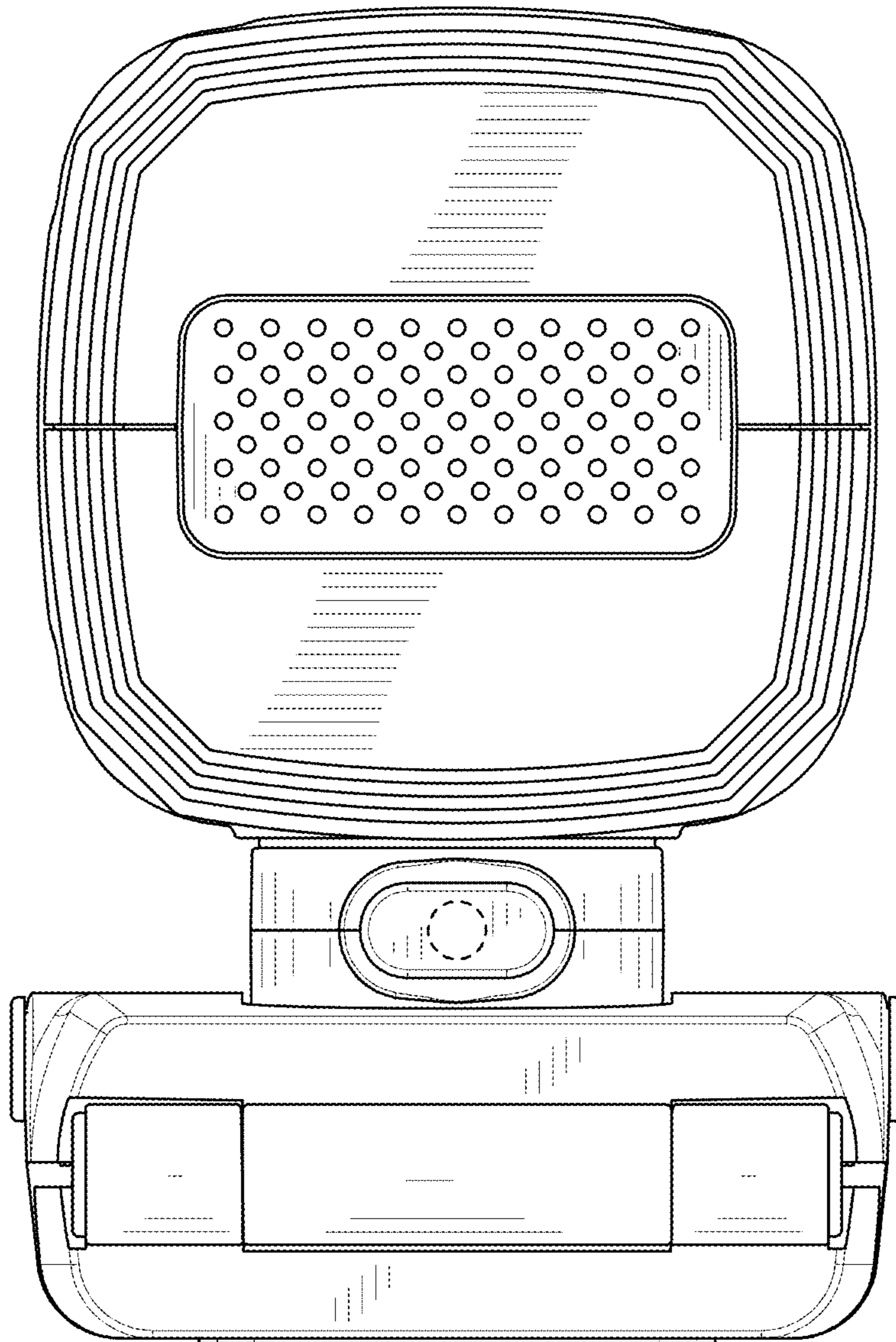


FIG. 4

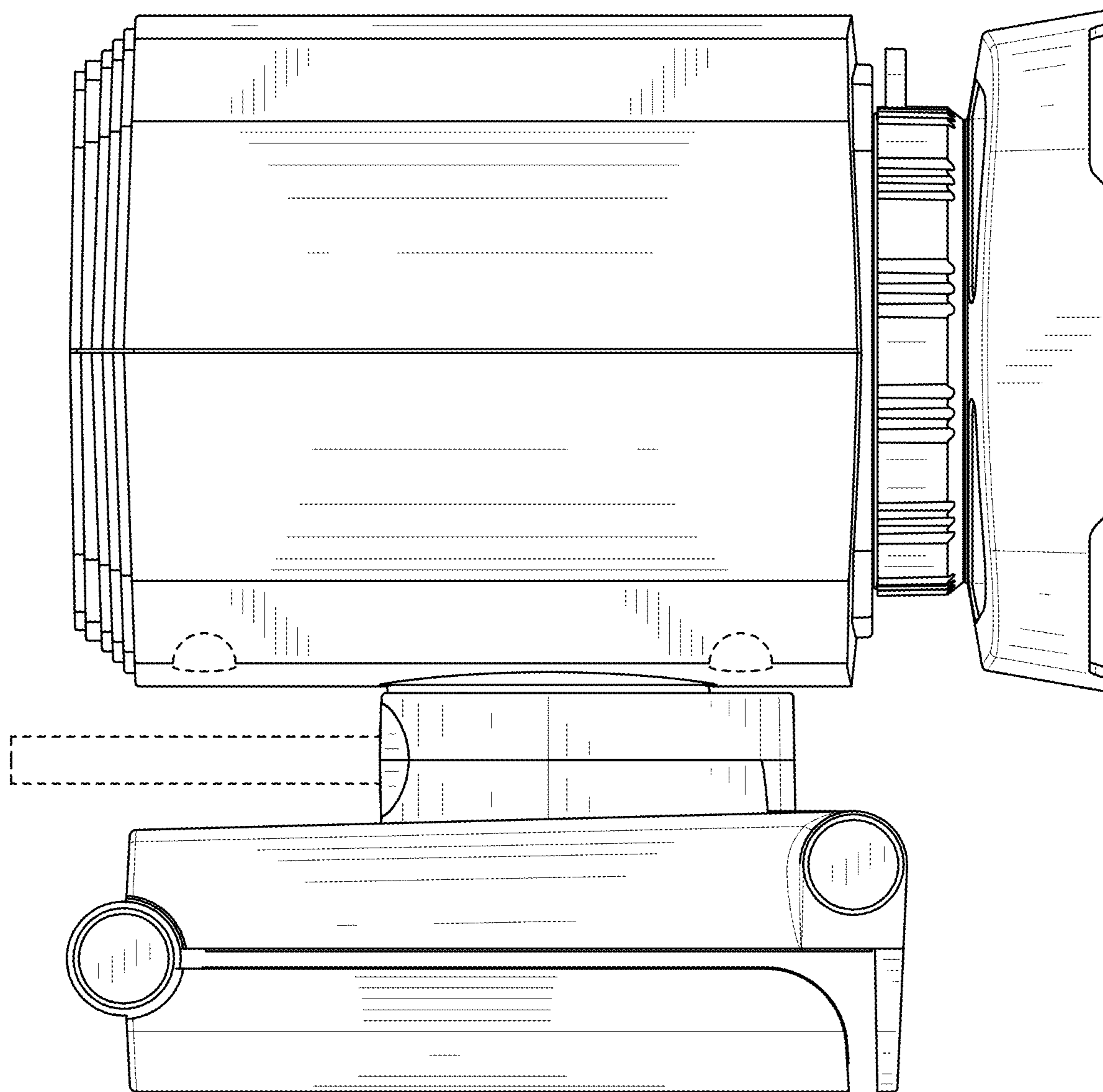


FIG. 5

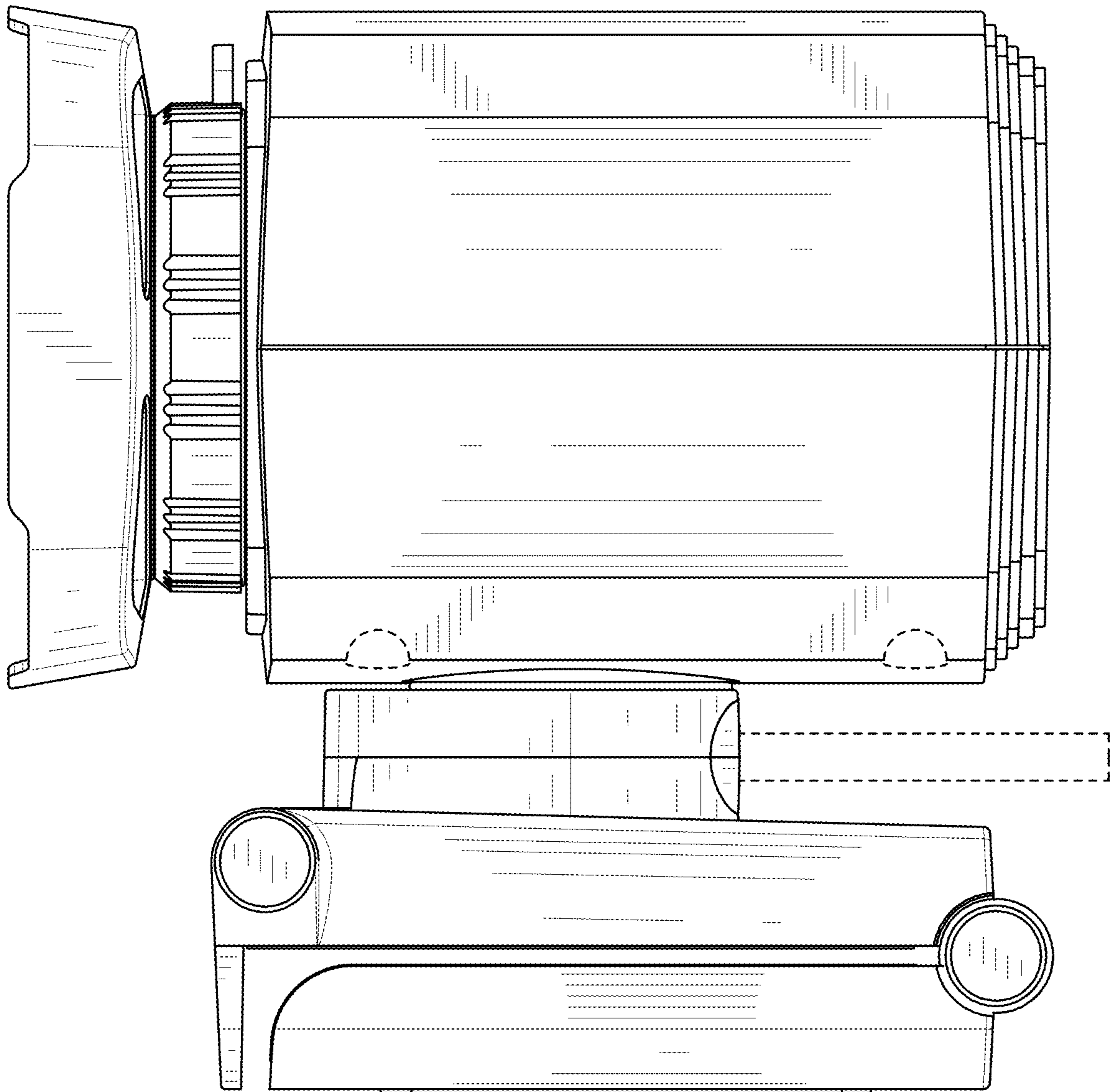


FIG. 6

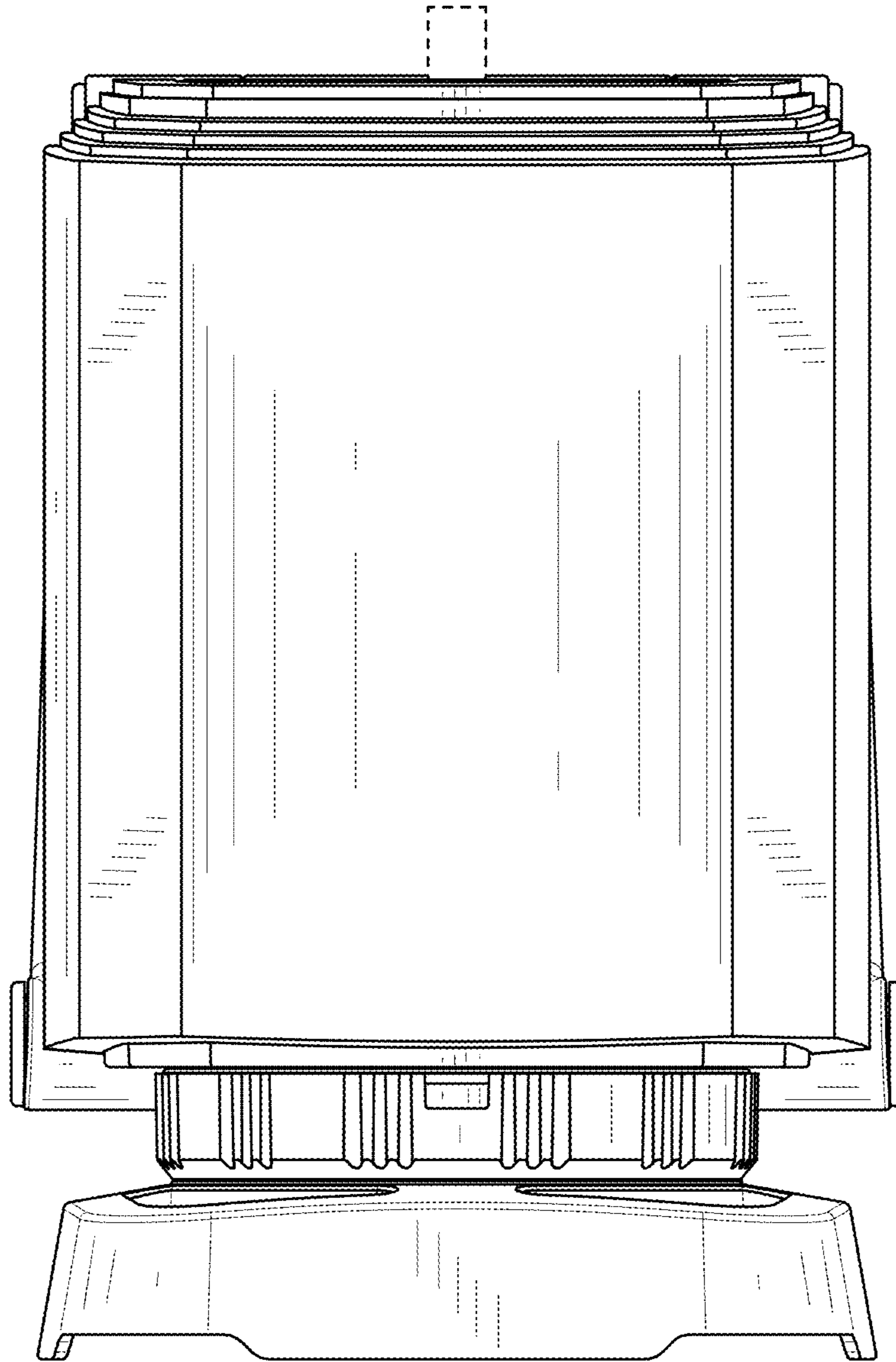


FIG. 7



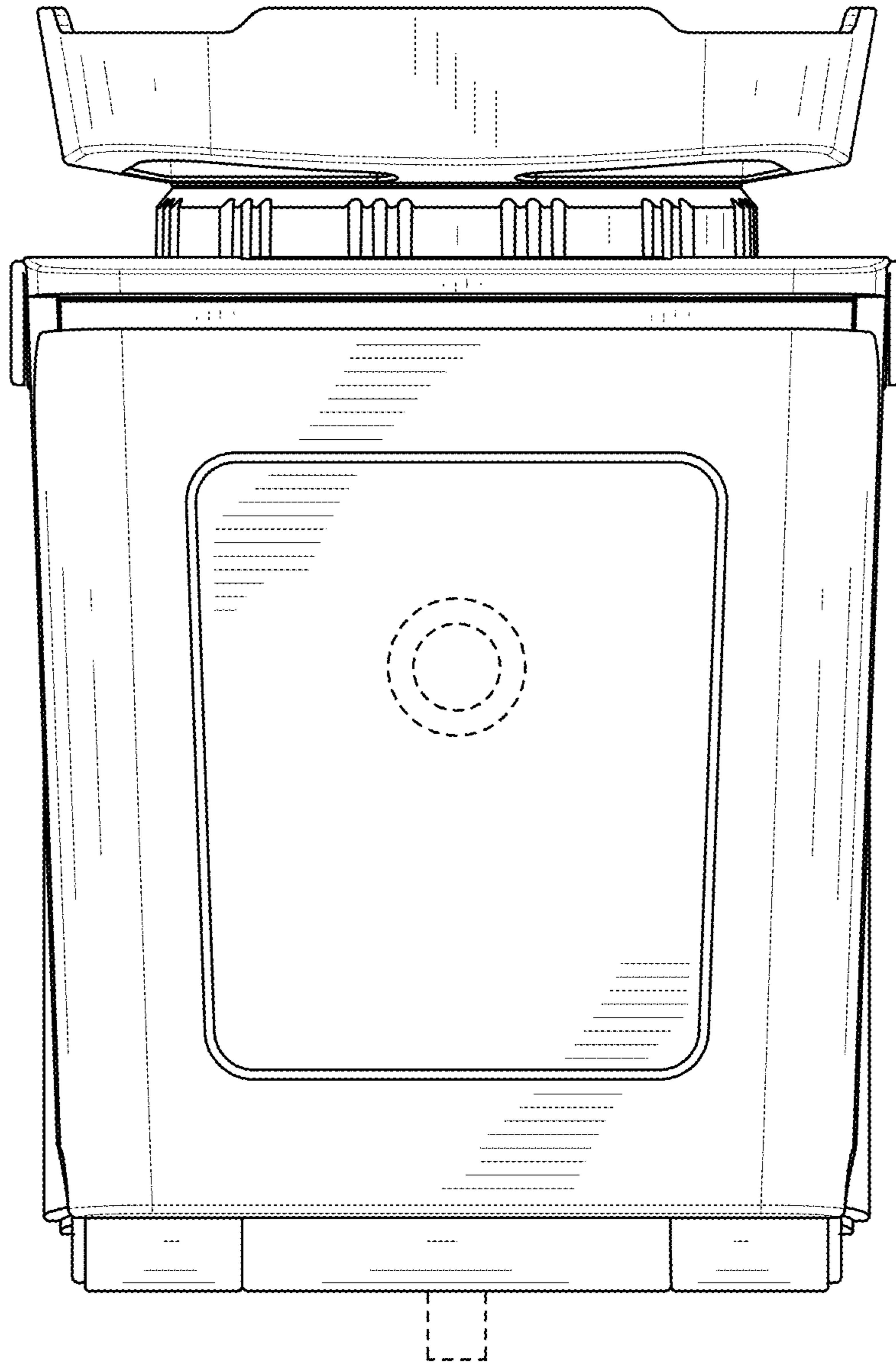


FIG. 8