



US00D954776S

(12) **United States Design Patent**  
**Muhlenkamp, IV et al.**

(10) **Patent No.:** **US D954,776 S**  
(45) **Date of Patent:** **\*\* Jun. 14, 2022**

(54) **CAMERA HOUSING**

- (71) Applicant: **GoPro, Inc.**, San Mateo, CA (US)
- (72) Inventors: **John George Muhlenkamp, IV**,  
Brisbane, CA (US); **Bessy Liang**, San  
Jose, CA (US); **Huy Phuong Nguyen**,  
Alpine, UT (US); **Daniel J. Coster**,  
Oakura (NZ)
- (73) Assignee: **GoPro, Inc.**, San Mateo, CA (US)
- (\*\*) Term: **15 Years**
- (21) Appl. No.: **29/817,143**
- (22) Filed: **Nov. 29, 2021**

**Related U.S. Application Data**

- (62) Division of application No. 29/745,857, filed on Aug. 10, 2020.
- (51) **LOC (13) Cl.** ..... **16-01**
- (52) **U.S. Cl.**  
USPC ..... **D16/200**
- (58) **Field of Classification Search**  
USPC ..... D16/200, 202–204, 208, 211, 218, 219,  
D16/237, 242; D3/263, 267, 268;  
248/176.1, 187.1; 348/81, 360, 373–376,  
348/835; 396/25, 27–29, 419, 535,  
396/539–541  
CPC ..... G03B 15/03; G03B 17/02; G03B 17/04;  
G03B 17/08; G03B 17/56; G03B 19/04;  
H04N 5/2251; H04N 5/2252; H04N  
5/2253; H04N 5/2254; A45C 11/38  
See application file for complete search history.

(56) **References Cited**

**U.S. PATENT DOCUMENTS**

- 679,881 A 8/1901 Bullard
  - 1,467,556 A 9/1923 Nagel
- (Continued)

**FOREIGN PATENT DOCUMENTS**

CN	302944108	5/2014
CN	303933789	6/2016
GB	4034453	3/2014

**OTHER PUBLICATIONS**

Action Video Suction Cup. [online] Published date Oct. 23, 2014. Retrieved on Nov. 2, 2016 from <URL: <[https://www.amazon.com/Suction-Locking-JOBY-Easy-Anti-Vibration-Cameras/dp/B0008R7A72/ref=pdsim\\_4\\_21\\_2?encoding=UTF8&pd\\_rd\\_i=B0008R7A72&pd\\_rd\\_r=AGCVZH2ZHQKHT5BBX2GZ&pd\\_rd\\_w=7Jkpc&pd\\_rd\\_wg=OMkYF&psc=1&refRID=AGCVZH2ZHQKHT5BBX2GZ](https://www.amazon.com/Suction-Locking-JOBY-Easy-Anti-Vibration-Cameras/dp/B0008R7A72/ref=pdsim_4_21_2?encoding=UTF8&pd_rd_i=B0008R7A72&pd_rd_r=AGCVZH2ZHQKHT5BBX2GZ&pd_rd_w=7Jkpc&pd_rd_wg=OMkYF&psc=1&refRID=AGCVZH2ZHQKHT5BBX2GZ)>. (9 pages).

(Continued)

*Primary Examiner* — Ramzi Almatrahi

(74) *Attorney, Agent, or Firm* — Young Basile Hanlon & MacFarlane, P.C.

(57) **CLAIM**

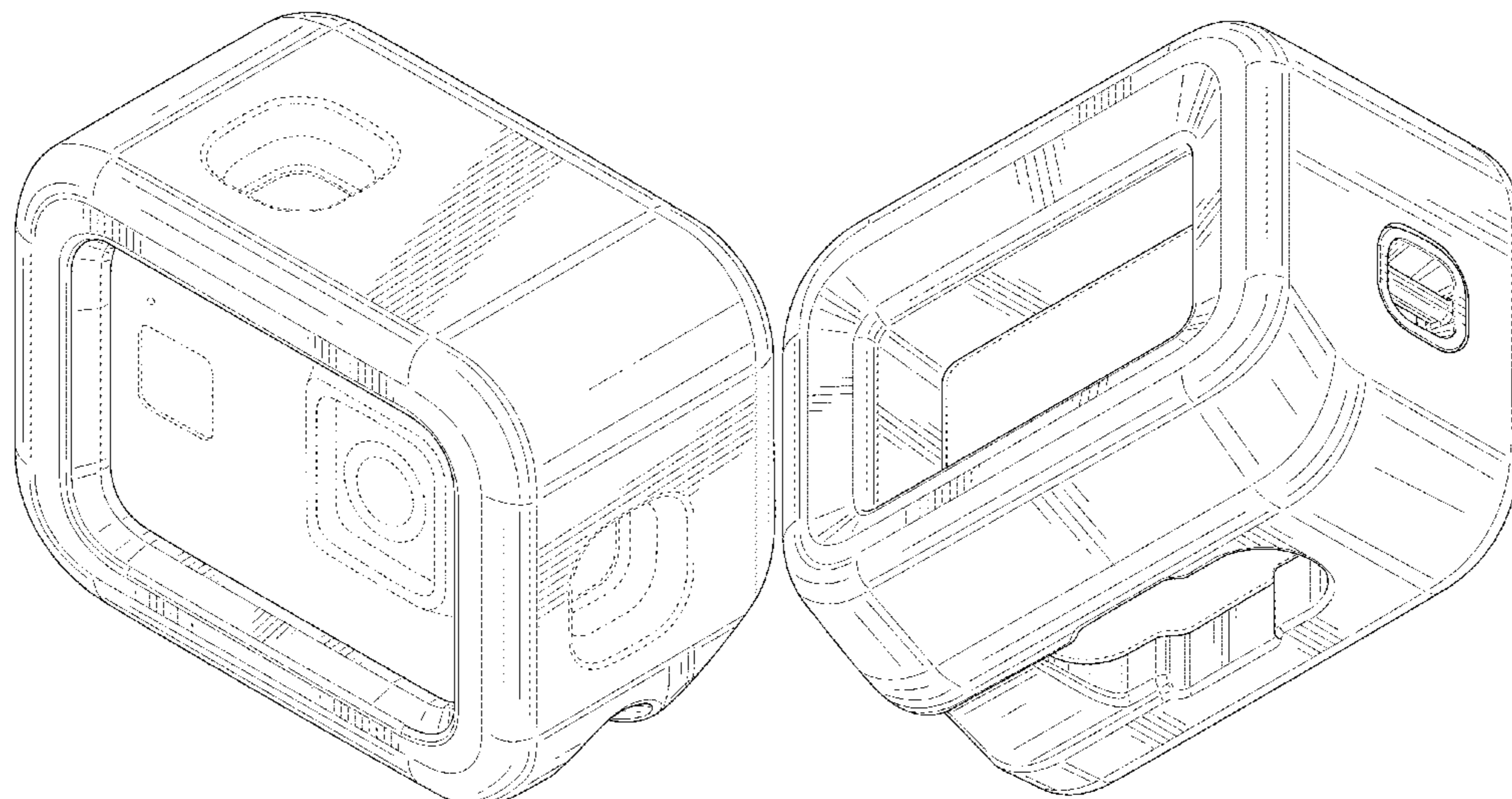
The ornamental design for a camera housing, as shown and described.

**DESCRIPTION**

FIG. 1 is a top, front and right side perspective view of a camera housing showing our new design;  
 FIG. 2 is a bottom, rear and left side perspective view thereof;  
 FIG. 3 is a front elevation view thereof;  
 FIG. 4 is a rear elevation view thereof;  
 FIG. 5 is a right side elevation view thereof;  
 FIG. 6 is a left side elevation view thereof;  
 FIG. 7 is a top plan view thereof; and,  
 FIG. 8 is a bottom plan view thereof.

The broken lines depict portions of the camera housing in which the design is embodied that form no part of the claimed design. Additionally, the broken lines showing a camera within the camera housing represent environmental structure and form no part of the claimed design.

**1 Claim, 5 Drawing Sheets**





(56)

References Cited

U.S. PATENT DOCUMENTS

1,612,277	A	12/1926	Leo	D759,145	S	6/2016	Lee
2,336,104	A	12/1943	Laube	D760,309	S	6/2016	Parfitt
4,341,452	A	7/1982	Korling	D760,312	S	6/2016	Lee
D265,829	S	8/1982	Shimoda	9,360,742	B1	6/2016	Harrison
4,646,141	A	2/1987	Timmermans	D762,759	S	8/2016	Wu
4,763,151	A	8/1988	Klinger	D763,941	S	8/2016	Smith
D298,760	S	11/1988	Yoshida	D768,228	S	10/2016	Muhlenkamp, IV
5,092,552	A	3/1992	Dayton	D768,752	S	10/2016	Silver
5,325,139	A	6/1994	Matsumoto	D768,754	S	10/2016	Bennett
D349,126	S	7/1994	Lee	D769,346	S	10/2016	Nguyen
5,353,079	A	10/1994	Sakai	D773,546	S	12/2016	Nguyen
5,576,781	A	11/1996	Deleeuw	D776,738	S	1/2017	Clearman
5,738,321	A	4/1998	Moriyasu	D776,741	S	1/2017	Parfitt
D441,386	S	5/2001	Yamazaki	D777,239	S	1/2017	Costa
6,347,893	B1	2/2002	Shiono	D783,079	S	4/2017	Lee
D469,338	S	1/2003	Chace	D785,068	S	4/2017	Patsis
D491,968	S	6/2004	Isshiki	9,635,226	B2	4/2017	Samuels
D492,953	S	7/2004	Mitsuse	D785,696	S	5/2017	Parfitt
D499,131	S	11/2004	Tania	D785,697	S	5/2017	Costa
D504,904	S	5/2005	Nagai	D790,000	S	6/2017	Wang
D515,121	S	2/2006	Bleau	D790,002	S	6/2017	Nguyen
D550,741	S	9/2007	Vernon	D800,815	S	10/2017	Clearman
D563,486	S	3/2008	Slater	D800,819	S	10/2017	Parfitt ..... D16/219
D582,955	S	12/2008	Sekine	9,816,666	B2	11/2017	Wang
7,537,399	B2	5/2009	Mayumi	D806,775	S	1/2018	Nguyen
D594,050	S	6/2009	Hartmut	D808,163	S	1/2018	Song ..... D3/269
7,621,680	B2	11/2009	Frick	9,880,451	B2	1/2018	Clearman
D616,480	S	5/2010	Ookawa	9,894,278	B2	2/2018	Wei
8,014,656	B2	9/2011	Woodman	9,894,279	B2	2/2018	Wei
D646,313	S	10/2011	Woodman	9,903,533	B2	2/2018	Wei
D647,554	S	10/2011	Yim	D816,751	S	5/2018	Harrison
D647,935	S	11/2011	Raken	D819,117	S	5/2018	Lee
D653,687	S	2/2012	Yu	D827,696	S	9/2018	Crow
D657,808	S	4/2012	Woodman	D827,697	S	9/2018	Crow
D674,428	S	1/2013	Woodman	10,101,637	B2	10/2018	Peddecord ..... H05K 5/06
D684,569	S	6/2013	Willenborg	D837,861	S	1/2019	Luo ..... D16/200
8,467,675	B2	6/2013	Chen	D840,463	S	2/2019	Nguyen
D692,507	S	10/2013	Meys	D846,620	S	4/2019	Katori
8,544,643	B2	10/2013	Yim	D848,500	S	5/2019	Miyashita
8,596,890	B2	12/2013	Yim	D849,084	S	5/2019	Hu
D699,276	S	2/2014	Samuels	D850,520	S	6/2019	Voss
D699,277	S	2/2014	Samuels	D854,597	S	7/2019	Gao
D702,747	S	4/2014	Woodman	D856,391	S	8/2019	Liu ..... D16/200
8,718,457	B2	5/2014	Clark	D861,761	S	10/2019	Bergman
D706,603	S	6/2014	Kokawa	D867,420	S	11/2019	Zhang
D710,921	S	8/2014	Gioscia	D868,871	S	12/2019	Nguyen
D710,922	S	8/2014	Gioscia	D869,539	S	12/2019	Hu
8,794,579	B2	8/2014	Sturman	D871,480	S	12/2019	Hu
D722,097	S	2/2015	Kim	D880,567	S	4/2020	Zhang
D724,637	S	3/2015	Samuels	D880,569	S	4/2020	Zhang
D724,638	S	3/2015	Samuels	D884,061	S	5/2020	Arens
D725,169	S	3/2015	Gioscia	D888,792	S	6/2020	Luo
D727,387	S	4/2015	Hasegawa	D890,835	S	7/2020	Nguyen
9,004,783	B1	4/2015	Woodman	D904,498	S	12/2020	Lim
D730,423	S	5/2015	Vandenbussche	D907,680	S	1/2021	Nguyen
D732,601	S	6/2015	Coyle	D908,778	S	1/2021	Xu
D733,787	S	7/2015	Baker	D909,450	S	2/2021	Grant
D733,788	S	7/2015	Baker	D911,411	S	2/2021	Coster
D736,848	S	8/2015	Kim	D911,412	S	2/2021	Alberstein
D737,647	S	9/2015	Elder	D912,120	S	3/2021	Druker
D739,451	S	9/2015	Gioscia	D920,419	S	5/2021	Muhlenkamp, IV
D740,876	S	10/2015	Woodman	D921,084	S	6/2021	Muhlenkamp, IV
D745,589	S	12/2015	Lee	D924,297	S	7/2021	Imai
D749,164	S	2/2016	Raccah	D926,853	S	8/2021	Wei
D750,146	S	2/2016	Costa	D929,489	S	8/2021	Coster
D750,680	S	3/2016	Chen	D933,115	S	10/2021	Druker
D750,687	S	3/2016	Samuels	D934,945	S	11/2021	Wu
D752,671	S	3/2016	Harrison	D935,506	S	11/2021	Tan
D752,672	S	3/2016	Clearman	D939,608	S	12/2021	Han
9,282,226	B2	3/2016	Samuels	2002/0046218	A1	4/2002	Gilbert
D754,230	S	4/2016	Mori	2007/0071423	A1	3/2007	Fantone
D754,240	S	4/2016	Samuels	2008/0152337	A1	6/2008	Gartner
D755,277	S	5/2016	Gerd	2011/0317065	A1	12/2011	Lin
D758,474	S	6/2016	Harrison	2014/0185853	A1	7/2014	Aihara
D759,141	S	6/2016	Bacon	2014/0198932	A1	7/2014	Parkins
				2014/0226055	A1	8/2014	Schmidt
				2015/0168815	A1	6/2015	Chen
				2015/0316835	A1	11/2015	Scott
				2015/0326748	A1	11/2015	Tisch

(56)

**References Cited**

## U.S. PATENT DOCUMENTS

2016/0004142	A1	1/2016	Zhang
2016/0100083	A1	4/2016	Harrison
2016/0229556	A1	8/2016	Zhou
2016/0246162	A1	8/2016	Niemeyer
2017/0059967	A1	3/2017	Harrison
2017/0192341	A1	7/2017	Casarez
2019/0079373	A1	3/2019	Wang
2019/0161208	A1	5/2019	Sun

## OTHER PUBLICATIONS

GoPro The Frame for HERO5 Black, [online] Published date unknown. Retrieved on Oct. 26, 2016 from <URL: <https://www.bhphotovideo.com/c/product/1274422-REG/gopro.sub.--aafm.sub.--001.sub.--frame.sub.--for.sub.--hero5.html>>. 3 pages.

The Frame, [online] Published date unknown. Retrieved on Oct. 24, 2016 from <URL: <http://shop.gopro.com/accessories-2/the-frame/ANDFR-302.html>>. 3 pages.

GoPro, "Karma Stabilizer." Date Unknown, two pages. [Online] [Retrieved Nov. 2, 2016] Retrieved from the internet <<http://shop.gopro.com/accessories-2/karma-stabilizer/AGMBL-001.html>>. (2 pages).

United States Office Action, U.S. Appl. No. 29/548,666, dated Nov. 17, 2016, 8 pages.

Suction Cup & Locking Arm. Online, published date unknown. Retrieved on Jan. 11, 2018 from URL: <https://joby.com/suction-cup-with-locking-arm> (1 page).

Silicon Sleeve Cases for the Frame of Your GoPro Hero 5 , retrieved from URL: <https://www.amazon.com/Silicone-Sleeve-Cases-Frame-Gopro/dp/B01NCQ3GOY>, retrieved Mar. 30, 2018 (6 pages).

Silicon Sleeve for GoPro Her04 Housing—GOcase, retrieved from URL: <https://www.gocase.com/products/silicon-sleeve-for-gopro-hero4-housing>, retrieved Mar. 30, 2018 (2 pages).

Silicone Sleeve Cases for The Frame of your GoPro Hero 5 (1x Frame / 1x Camera Case, Blue + Black), URL: [https://www.amazon.com/dp/B0MR00OPJ/ref=asc\\_df\\_B01MR00OPJ5357481/?tag=hyprod-20&creative=395033&creativeASIN=B01MR00OPJ&linkCode=df0&hvadid=167139098072&hvpos=1o1&hvnetw=g&hvrand=8248390090609077295&hvpone=&hvptwo=&hvqmt=&hvdev=c&hvdvcmdl=&hvlocint=&hvlocphy=1014237&hvtargid=pla-332273337114](https://www.amazon.com/dp/B0MR00OPJ/ref=asc_df_B01MR00OPJ5357481/?tag=hyprod-20&creative=395033&creativeASIN=B01MR00OPJ&linkCode=df0&hvadid=167139098072&hvpos=1o1&hvnetw=g&hvrand=8248390090609077295&hvpone=&hvptwo=&hvqmt=&hvdev=c&hvdvcmdl=&hvlocint=&hvlocphy=1014237&hvtargid=pla-332273337114), retrieved Mar. 30, 2018 (6 pages).

GoPro i Shop i Mounts & Accessories, posted on Nov. 16, 2017, © 2018 GoPro, Inc. [online], [site visited Mar. 16, 2018], Available from Internet, <URL: <https://shop.gopro.com/mounts-accessories/>> (13 Pgs).

Linxx i Action Camera Accessories i Action Camera Strap, posted on Jun. 4, 2016, © 2012 Avada [online], [site visited Mar. 16, 2018], Available from Internet, <URL: <http://www.linxx.com/action-camera-accessories/action-camera-strap/>> (4 Pgs).

Google Express IGoPro Karma Harness for HERO4 Black/Silver Camera—AGFHA-001 , first reviewed on Mar. 17, 2017, © 2018 Google [online], [site visited Mar. 16, 2018], Available from Internet, <URL: <https://goo.gl/hugSGv/>> 1 page.

\* cited by examiner



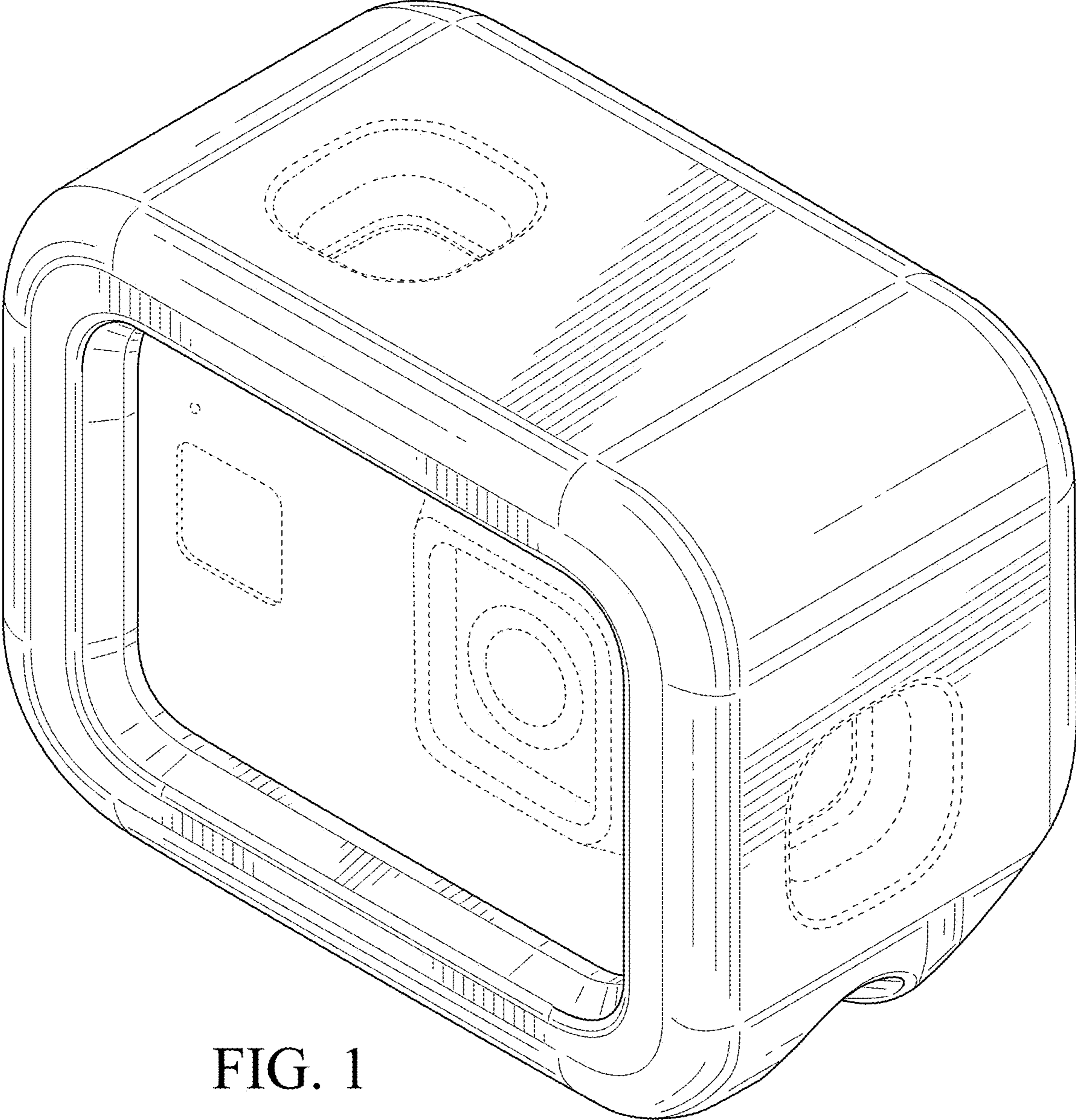


FIG. 1

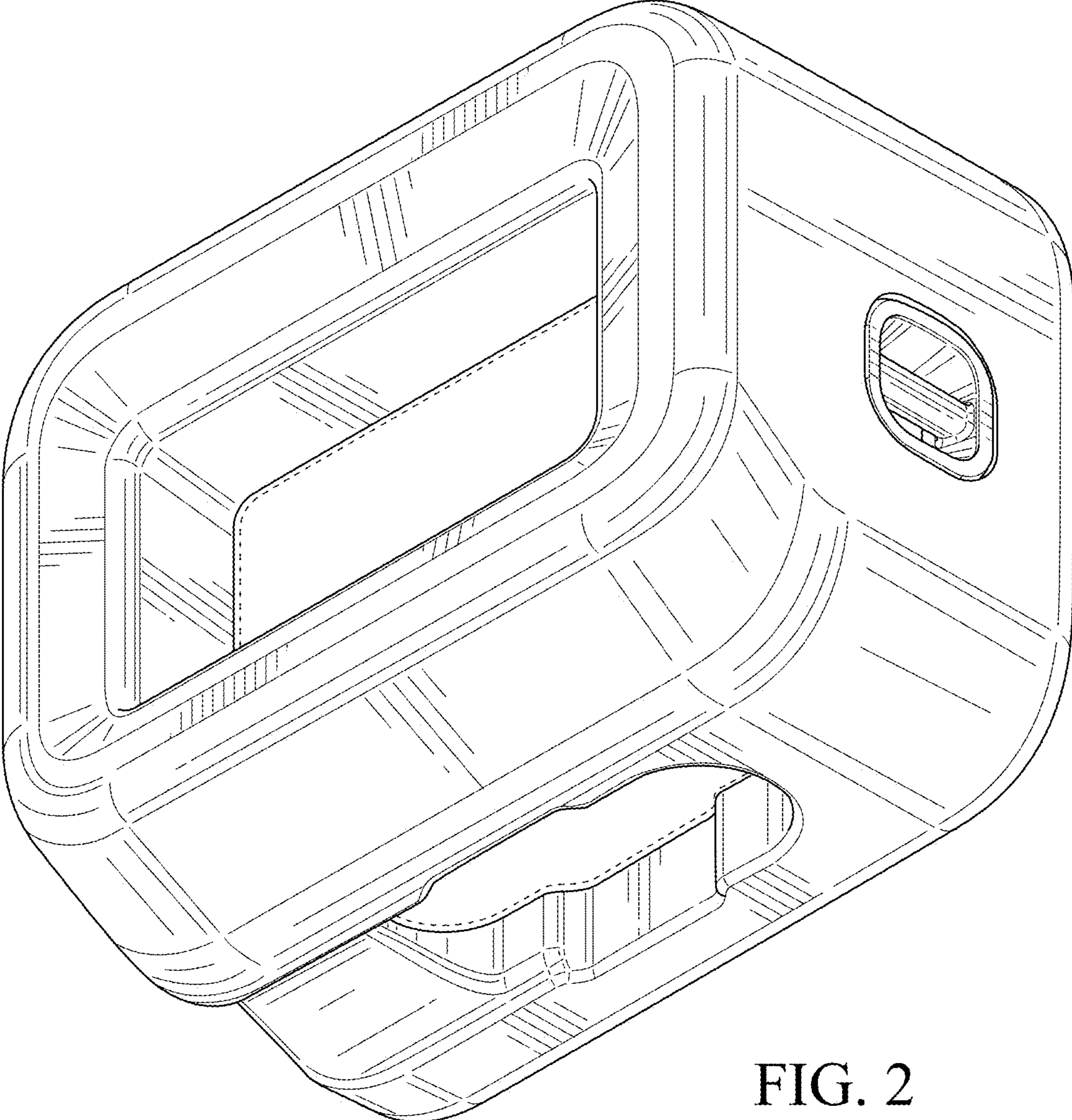


FIG. 2

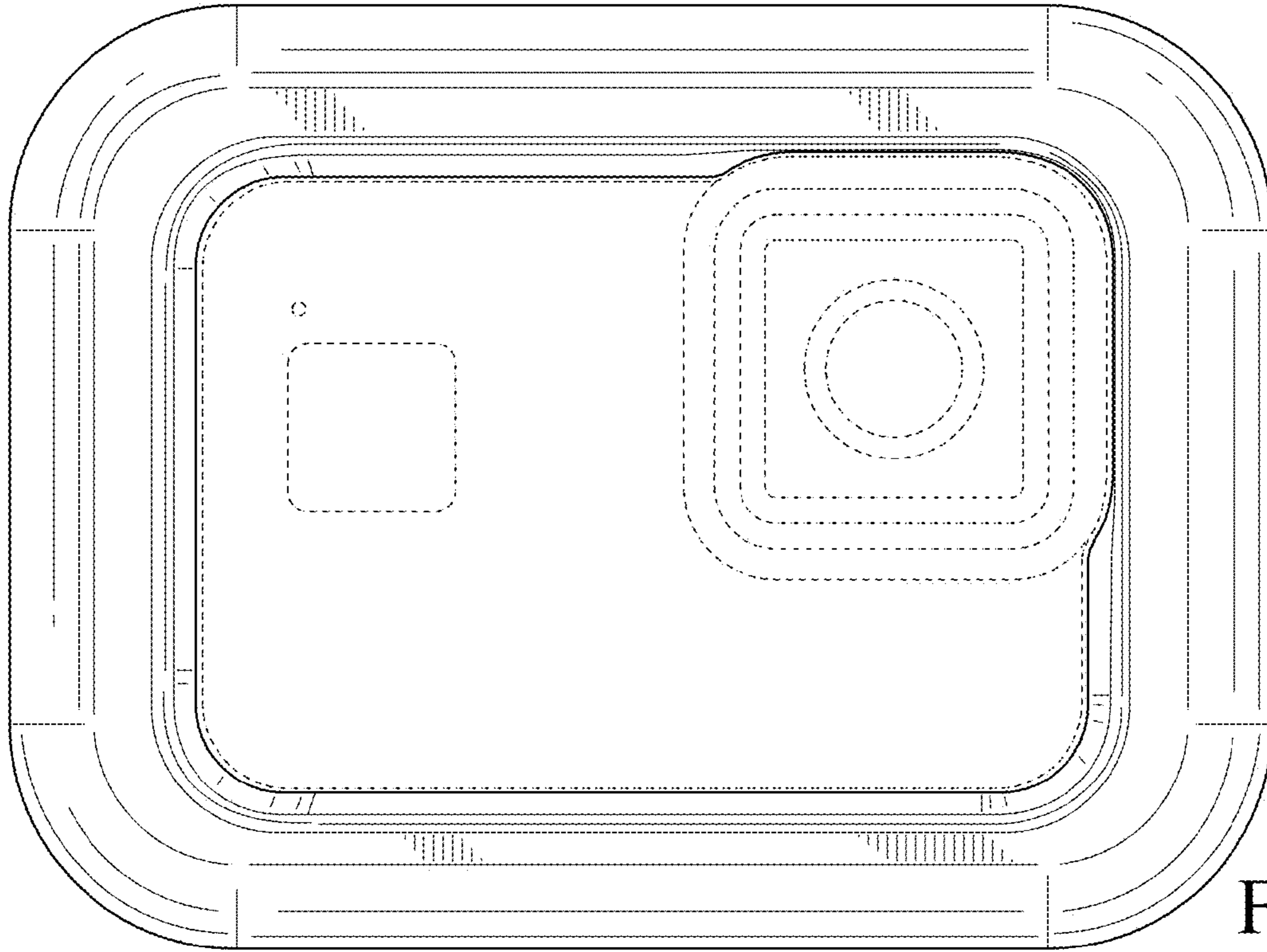


FIG. 3

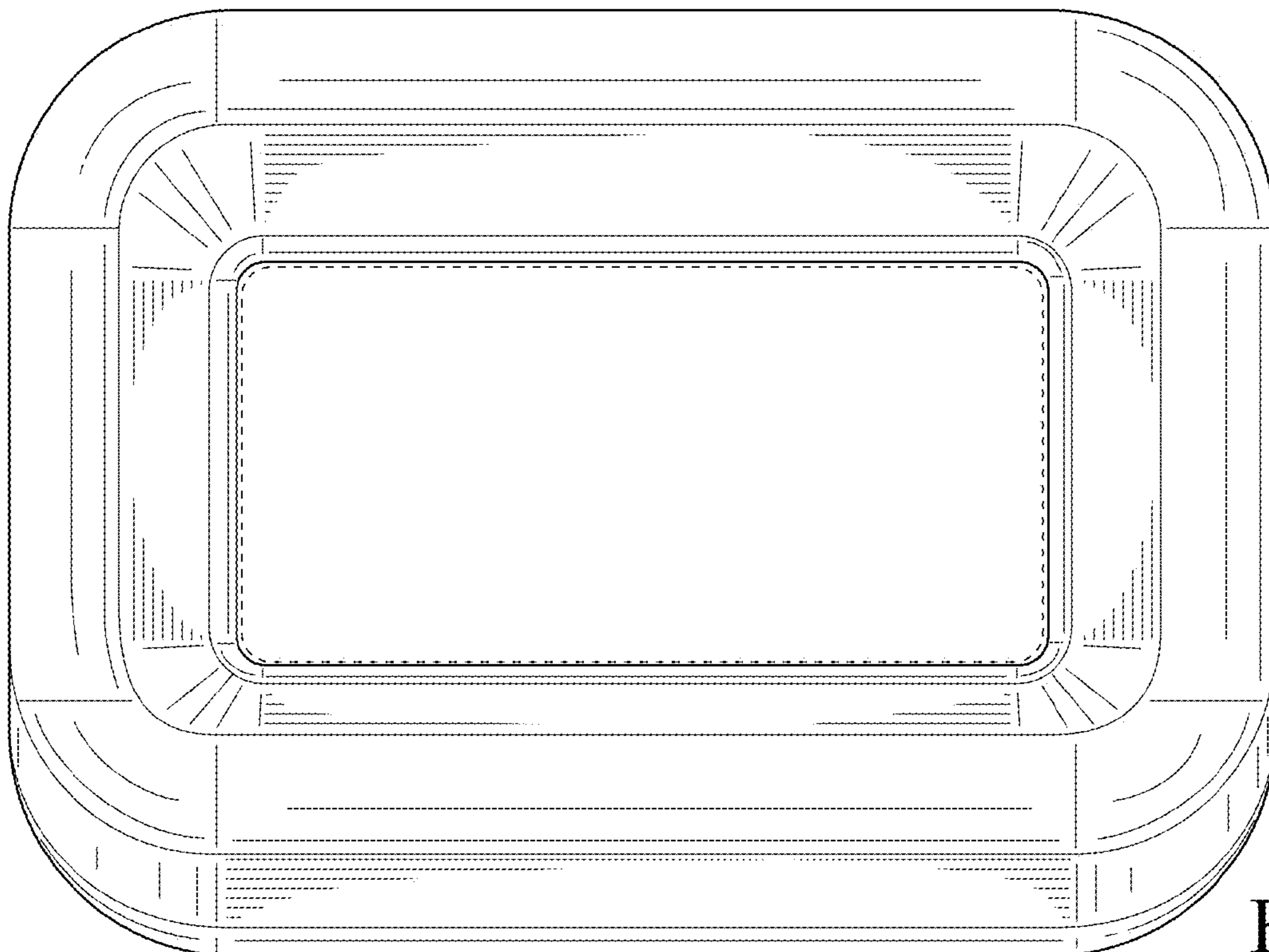


FIG. 4



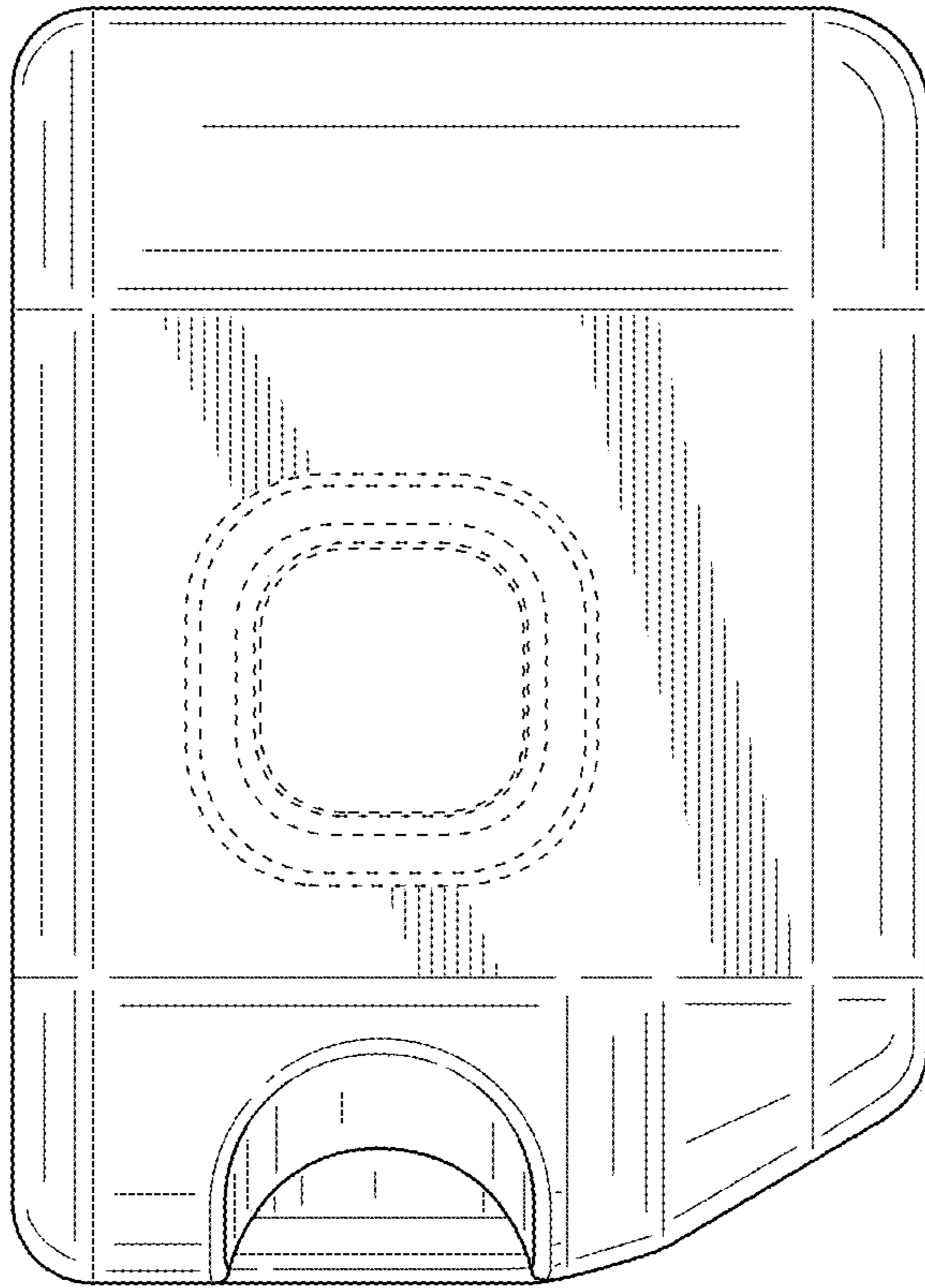


FIG. 5

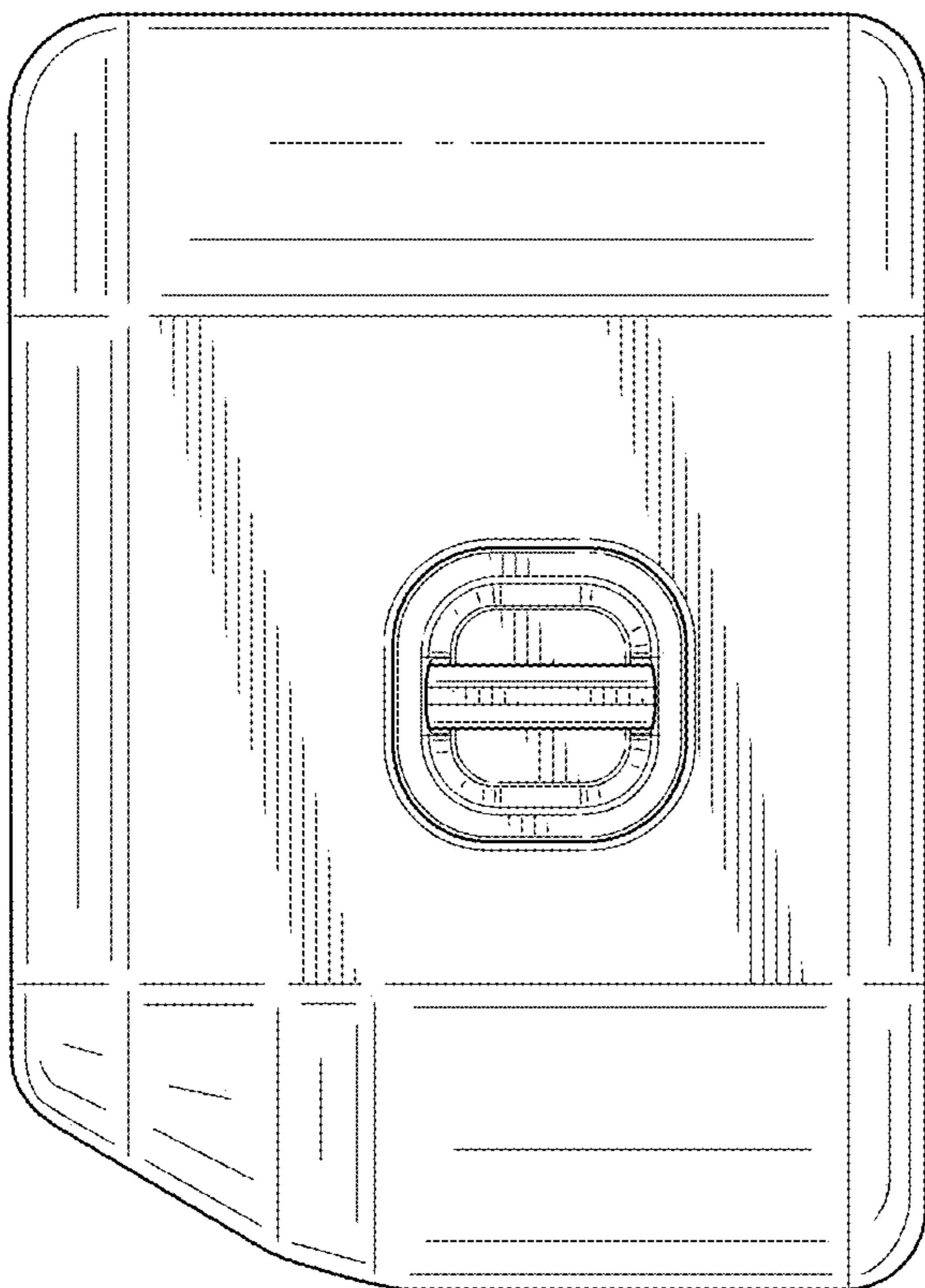


FIG. 6

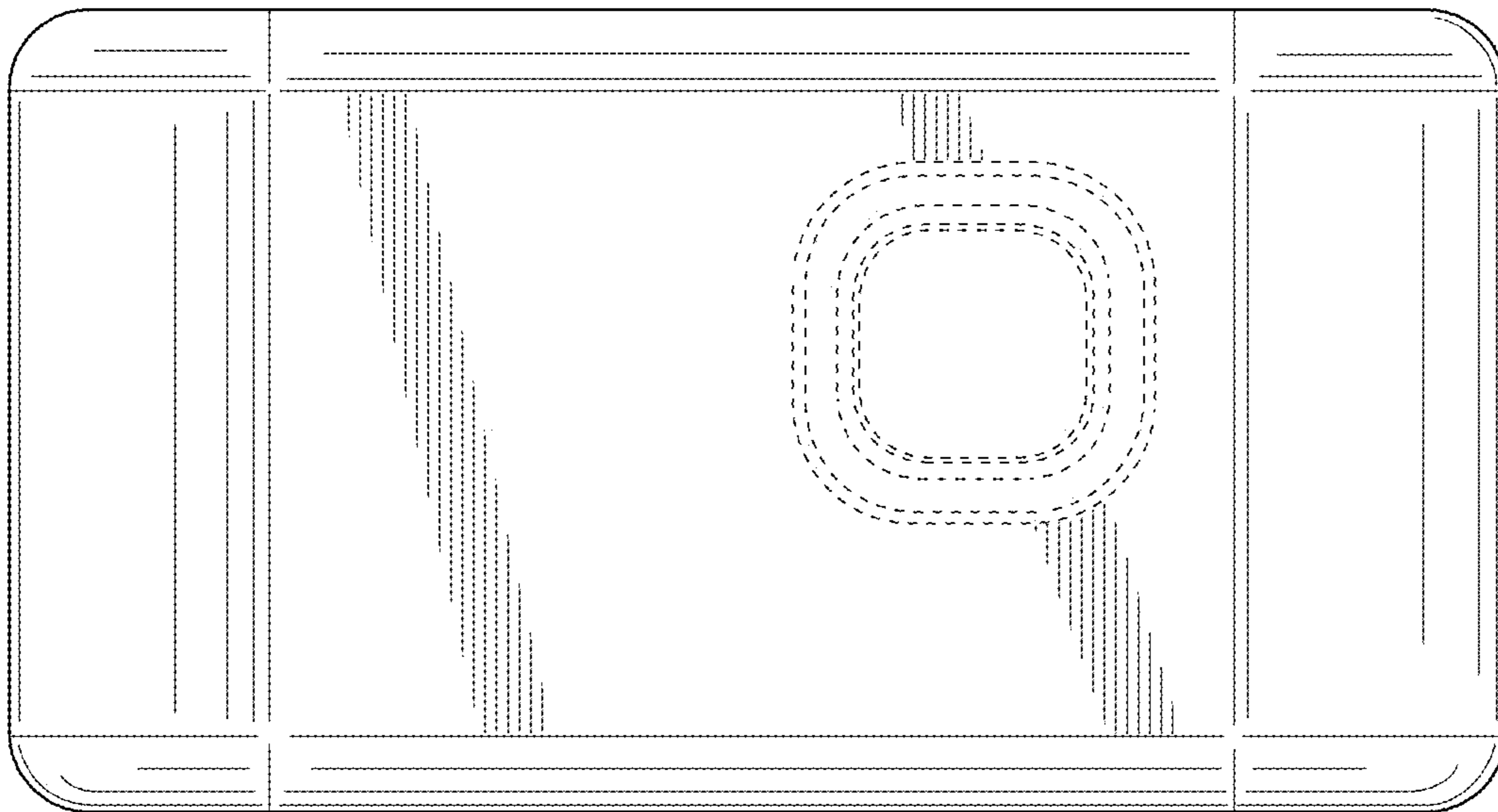


FIG. 7

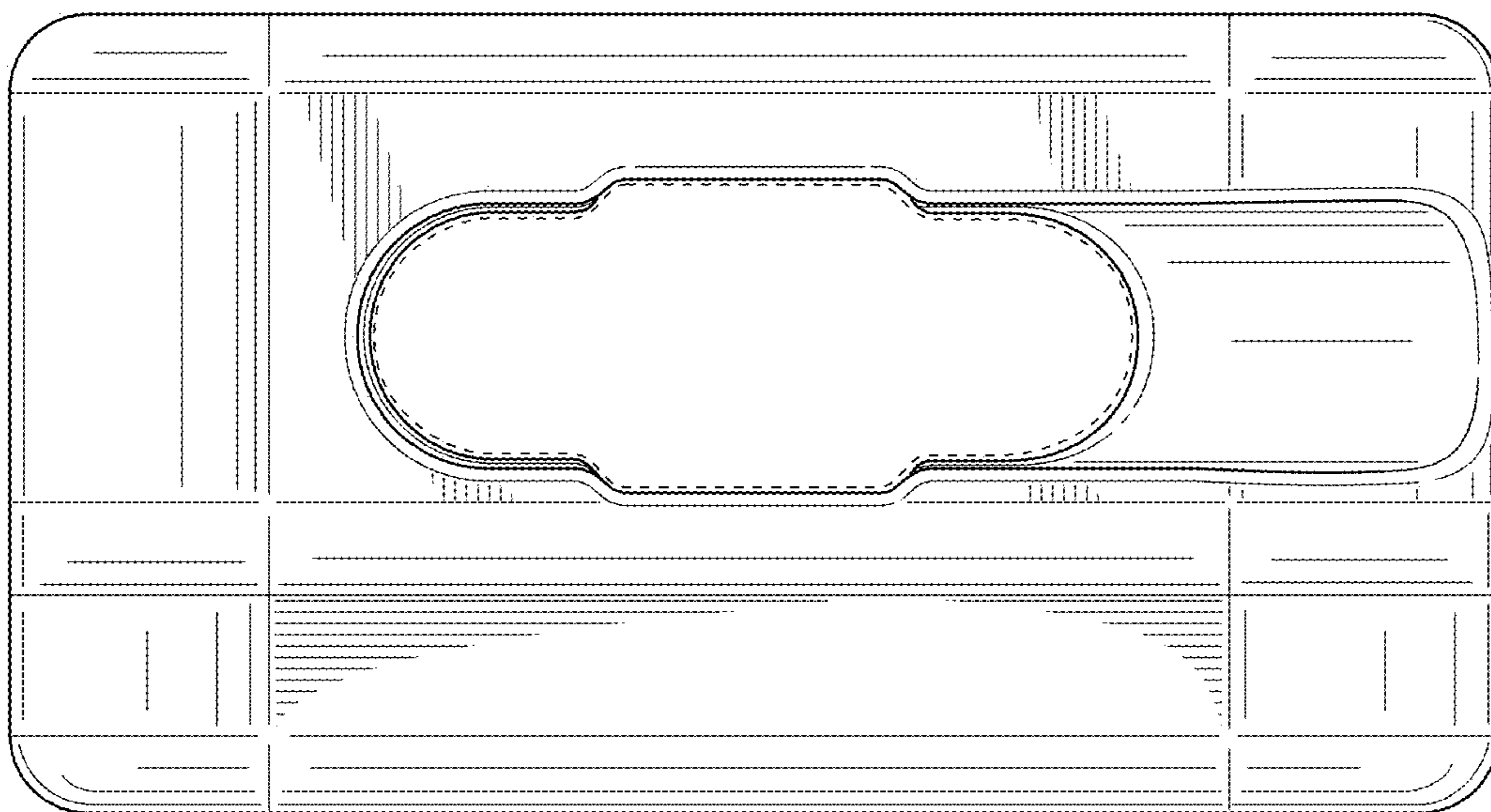


FIG. 8