



US00D954774S

(12) **United States Design Patent**
Imai

(10) **Patent No.:** **US D954,774 S**
(45) **Date of Patent:** **** Jun. 14, 2022**

(54) **DIGITAL CAMERA**

(71) Applicant: **FUJIFILM Corporation**, Tokyo (JP)

(72) Inventor: **Masazumi Imai**, Saitama (JP)

(73) Assignee: **FUJIFILM Corporation**, Tokyo (JP)

(**) Term: **15 Years**

(21) Appl. No.: **29/756,061**

(22) Filed: **Oct. 26, 2020**

(30) **Foreign Application Priority Data**

Jun. 19, 2020 (JP) 2020-012287 D

(51) **LOC (13) Cl.** **16-01**

(52) **U.S. Cl.**
USPC **D16/200**

(58) **Field of Classification Search**
USPC D16/200, 202, 206, 208, 217, 218, 219,
D16/209
CPC G03B 15/03; G03B 17/02; G03B 2219/02;
G03B 19/18; G03B 15/05; H04N 5/2251;
H04N 5/2252; H04N 5/2253; H04N
5/2254; H04N 5/22525; H04N 5/23216;
H04N 5/232939; H04N 2101/00; H04N
7/142

See application file for complete search history.

(56) **References Cited**

U.S. PATENT DOCUMENTS

D491,593 S * 6/2004 Haga D16/202
D524,346 S * 7/2006 Haga D16/202
D559,291 S * 1/2008 Hayashi D16/202
D560,239 S * 1/2008 Kim D16/202

FOREIGN PATENT DOCUMENTS

CN 300701448 * 10/2007
CN 306383403 * 3/2021

OTHER PUBLICATIONS

“Nikon D780 Body” Amazon.com, first retrieved on Nov. 18, 2021
retrieved from the internet <<https://www.amazon.com/Nikon-1618->

D780-Body/dp/B083K41K2S/ref=sxin_15?asc_contentid=amzn1.osa.3ae75de9-9c81-47ae-8997-5d25317f4d00.ATVPDKIKX0DER.en_US&asc_contenttype=article&ascsubtag=amzn1.osa.3ae75de9-9c81-47ae-8997-5d25317f4d00.ATVPDKIKX0DER.en_US&creativeASIN=B083K41K2S&cv_ct_cx=digital%2Bcamera&cv_ct_id=amzn1.osa.3ae75de9-9c81-47ae-8997-5d25317f4d00.ATVPDKIKX0DER.en_US&cv_ct_pg=search&cv_ct_we=asin&cv_ct_wn=osp-single-source-earns-comm&keywords=digital%2Bcamera&linkCode=oas&pd_rd_i=B083K41K2S&pd_rd_r=7f67bd39-82de-4000-a5f8-8c74389d7d9d&pd_rd_w=OVxuH&pd_rd_wg=Xgx0P&pf_rd_p=b029c82c-aced-48fe-b955-08794dc4e3cd&pf_rd_r=GXNZ8420DKAWPPT0Q38K&qid=1637246982&s=electronics&sr=1-2-a3cc9a7a-2f07-46dc-8259-ac02200376a0&>tag=onsiterings-20&th=1> (Year: 2020).*

* cited by examiner

Primary Examiner — Rosemary K Tarcza
Assistant Examiner — Lacey Chey Bowman
(74) *Attorney, Agent, or Firm* — Studebaker & Brackett PC

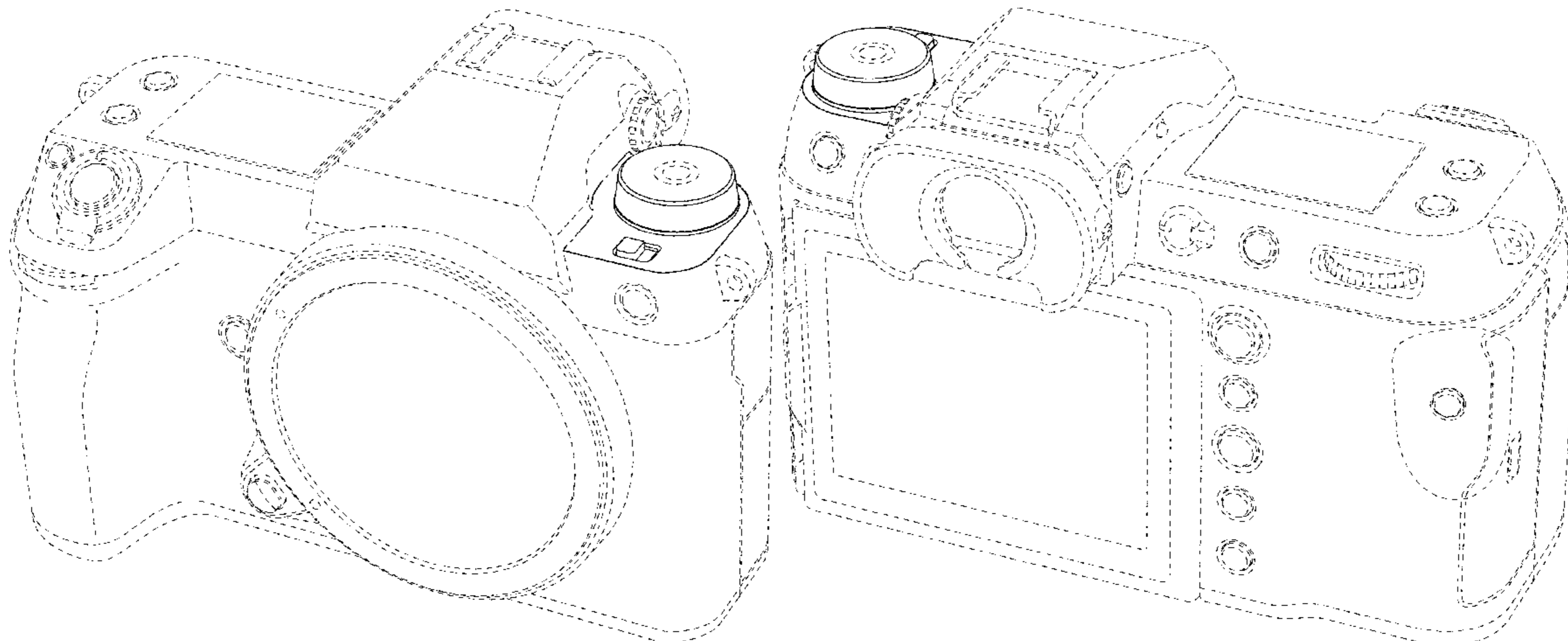
(57) **CLAIM**

The ornamental design for a digital camera, as shown and described.

DESCRIPTION

FIG. 1 is a front perspective view of a digital camera, showing the new design;
FIG. 2 is a rear perspective view thereof;
FIG. 3 is a front view thereof;
FIG. 4 is a rear view thereof;
FIG. 5 is a right side view thereof;
FIG. 6 is a left side view thereof;
FIG. 7 is a top view thereof; and,
FIG. 8 is a bottom view thereof.
The broken lines showing the digital camera illustrate the environment of the claimed design and form no part thereof.

(Continued)



Dot-and-dash lines only indicate the boundary between the portion for which design registration is sought as a partial design, and other portions.

1 Claim, 8 Drawing Sheets

FIG.1

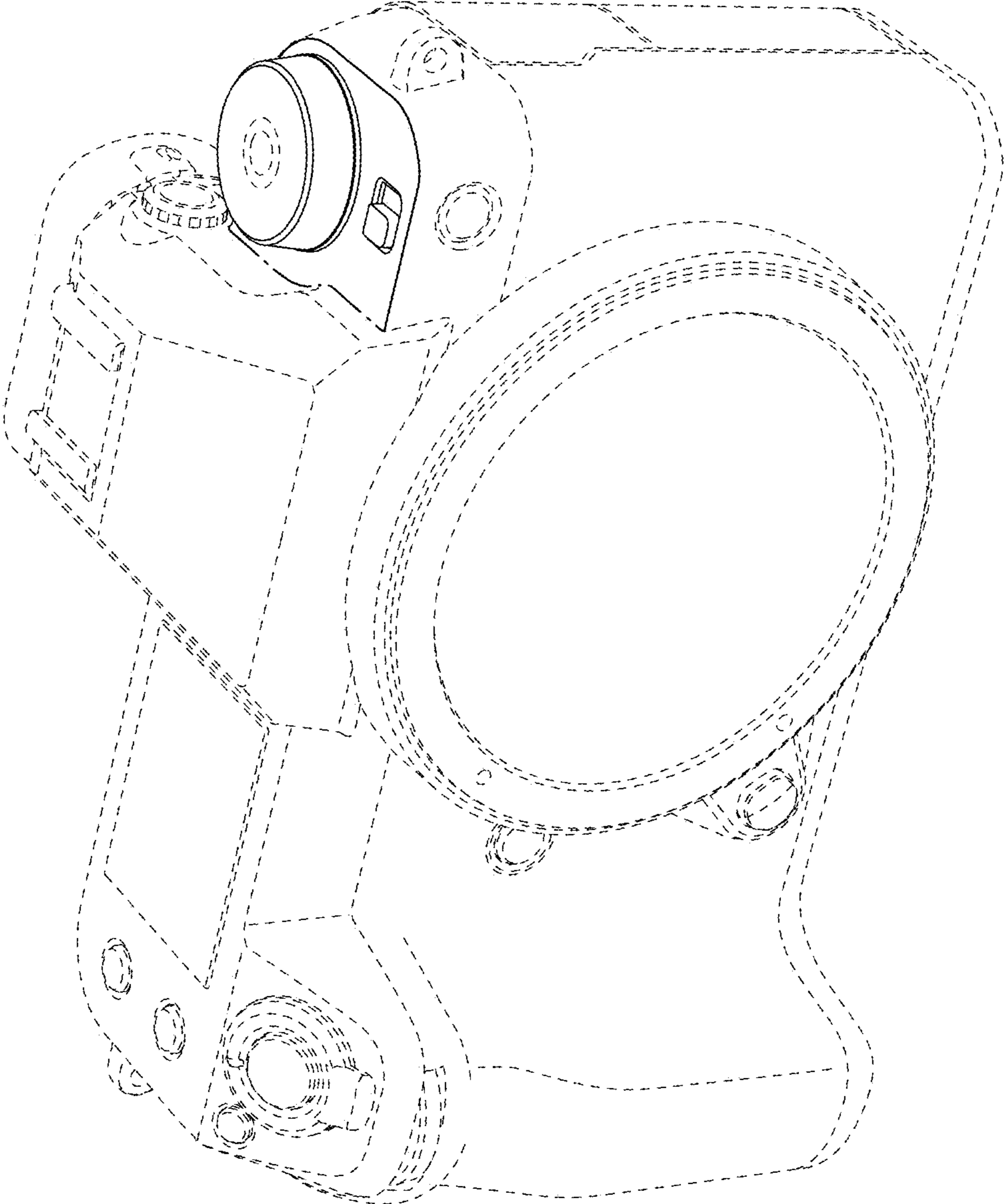


FIG.2

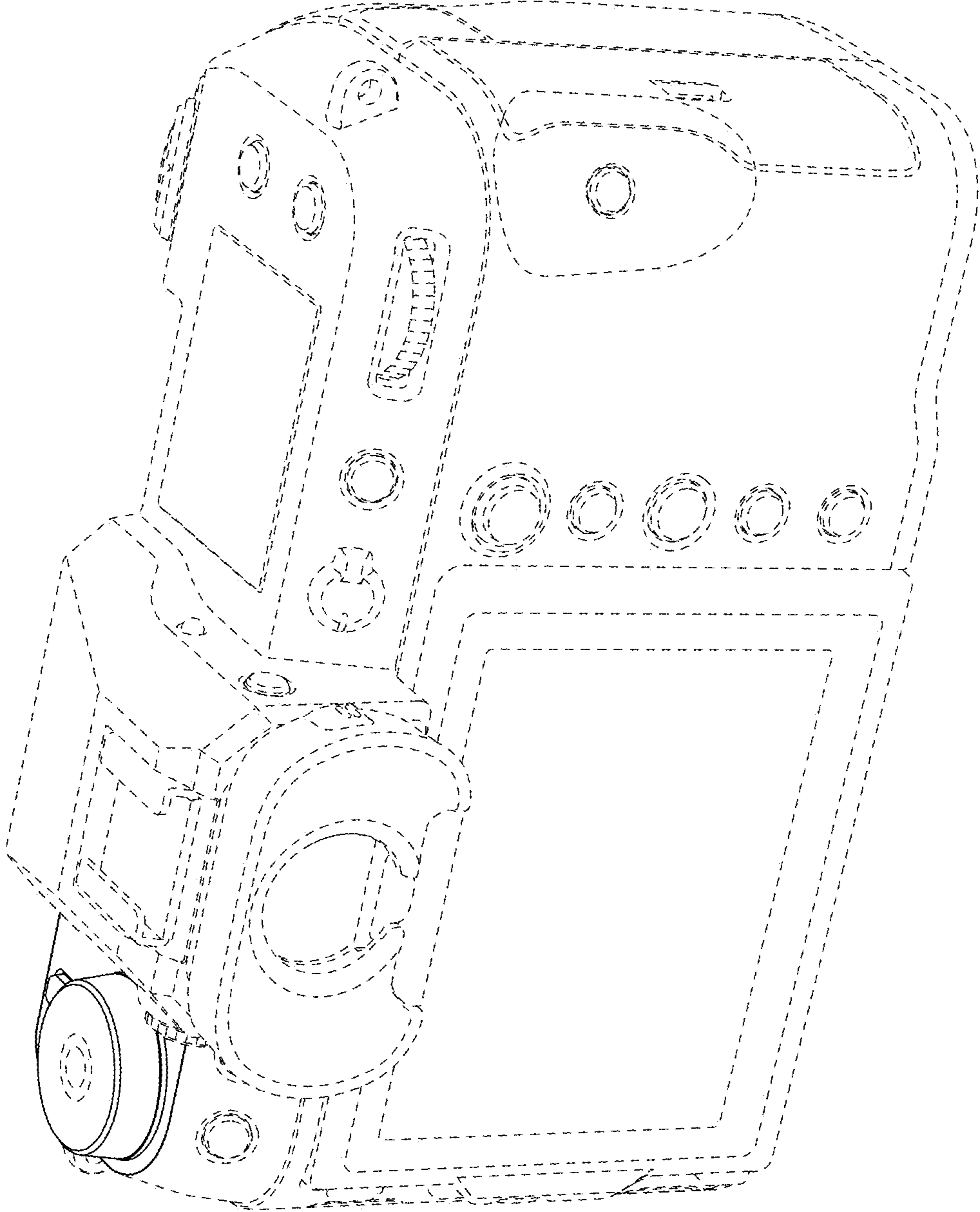


FIG.3

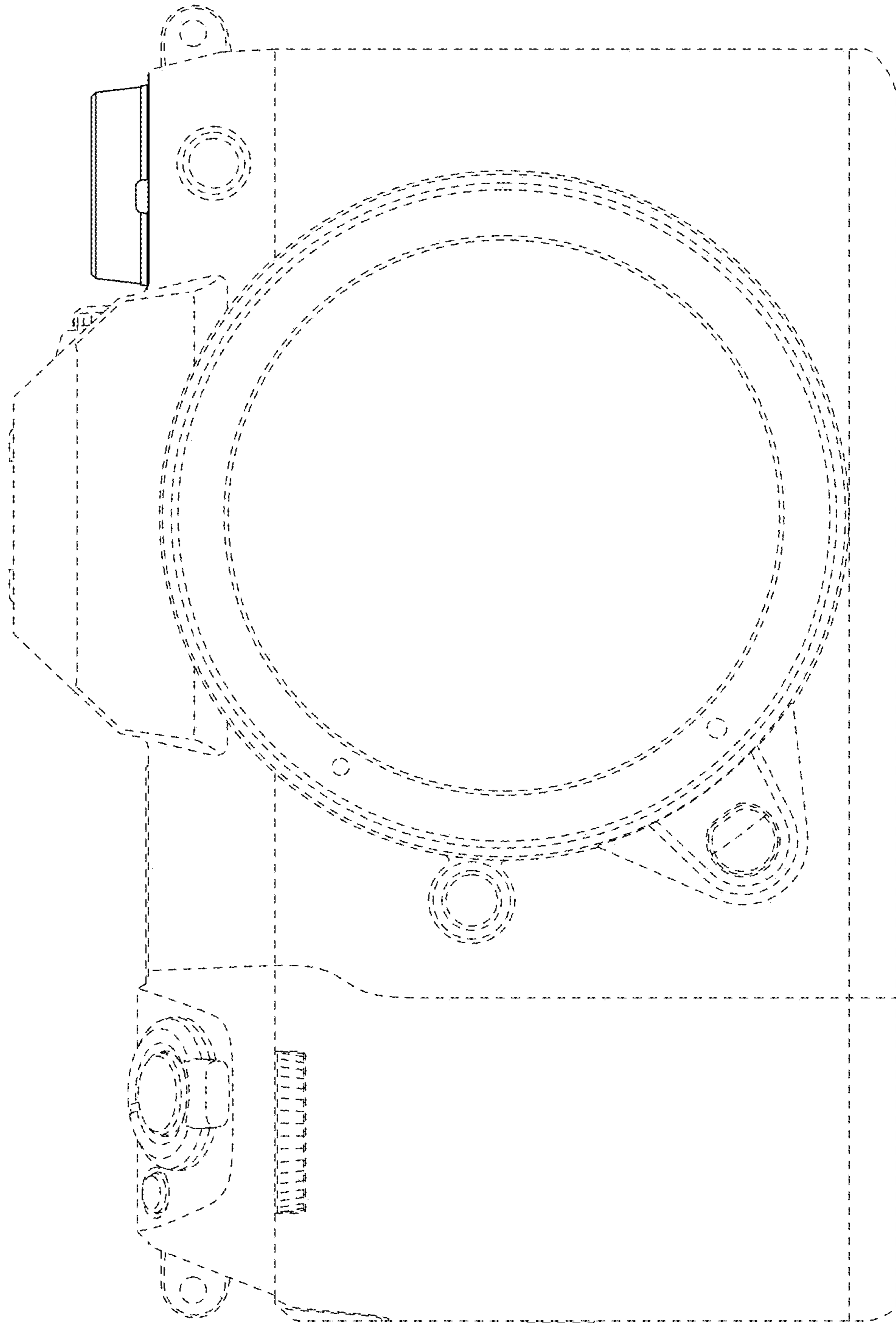


FIG.4

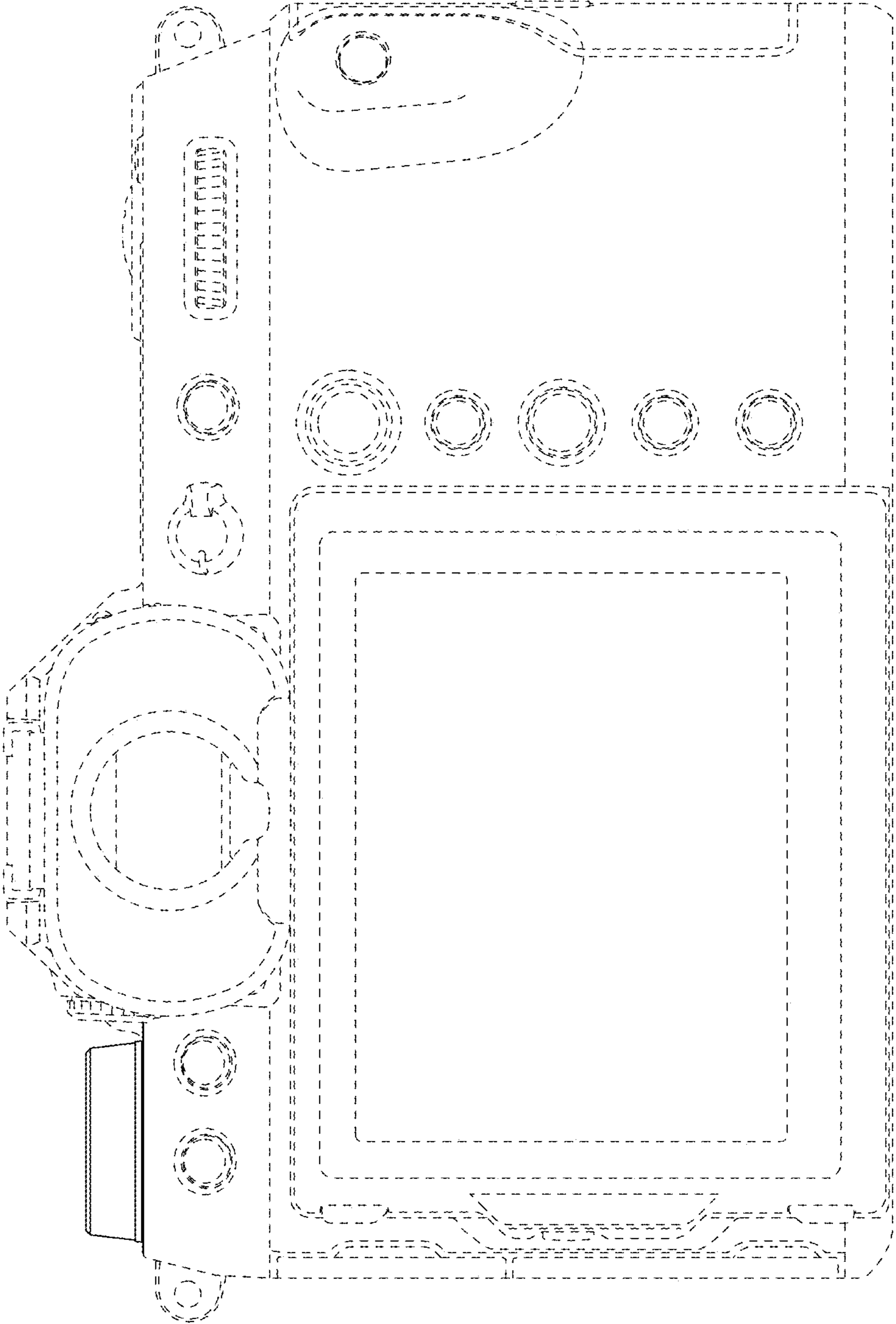


FIG.5

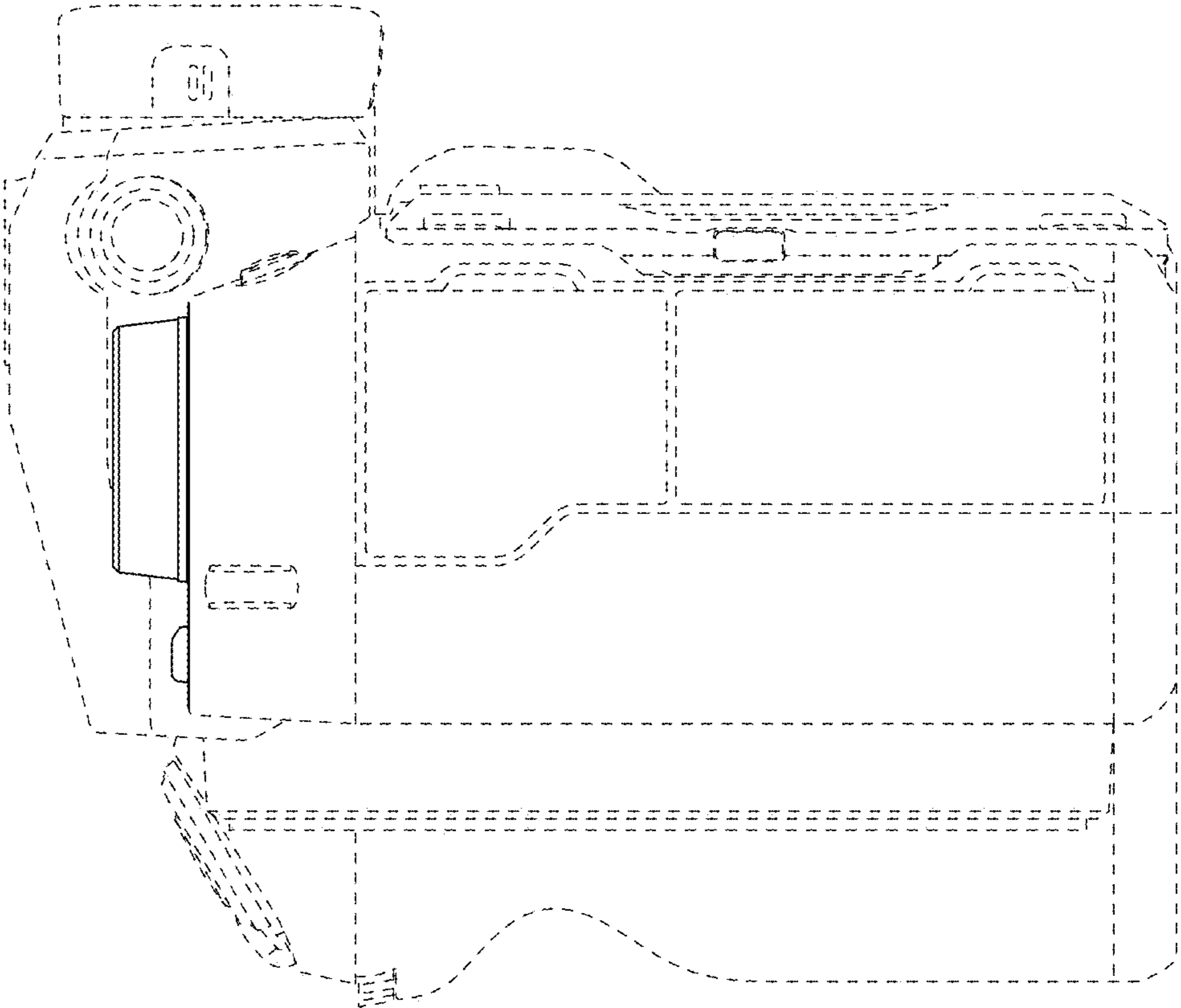


FIG.6

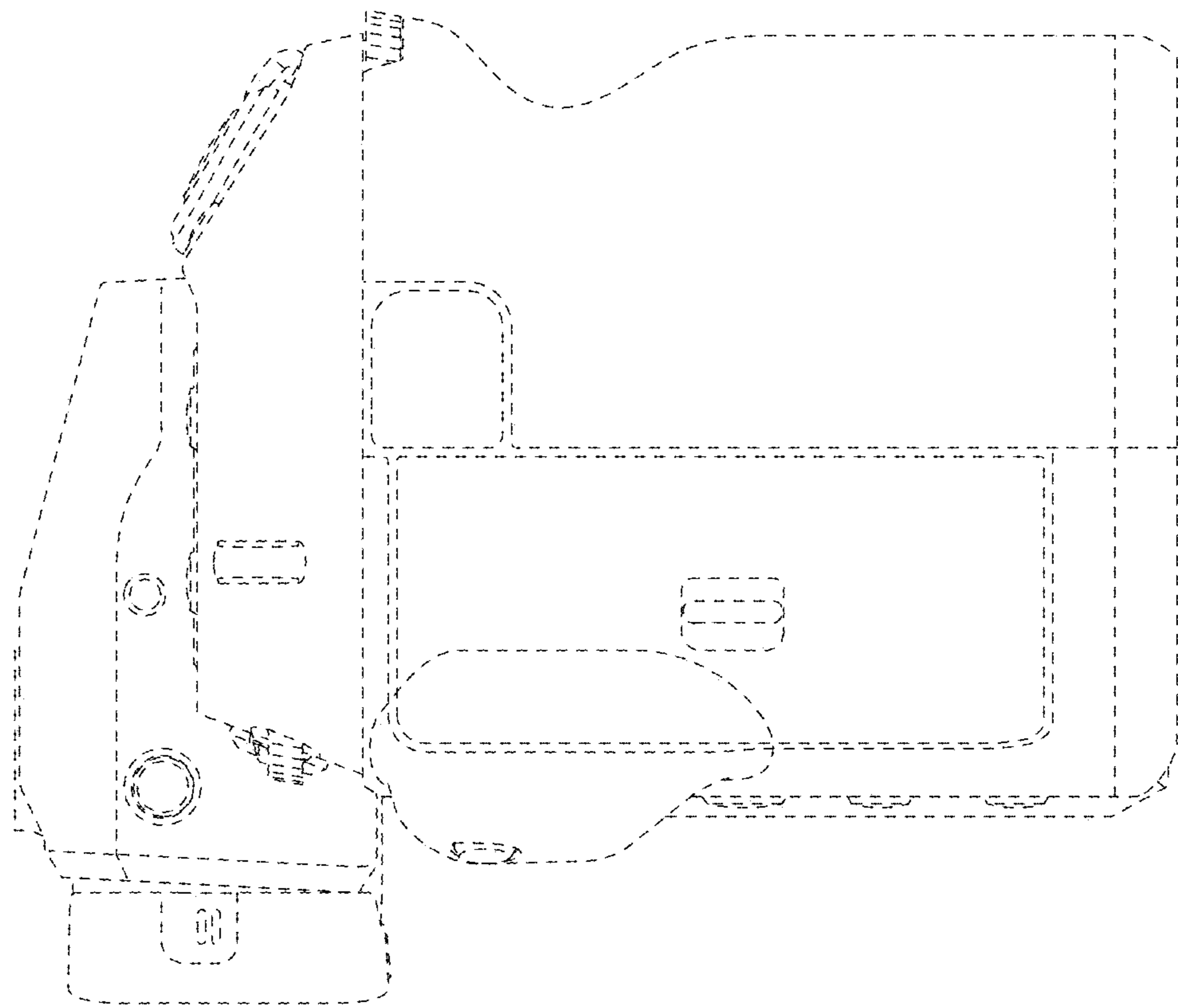


FIG. 7

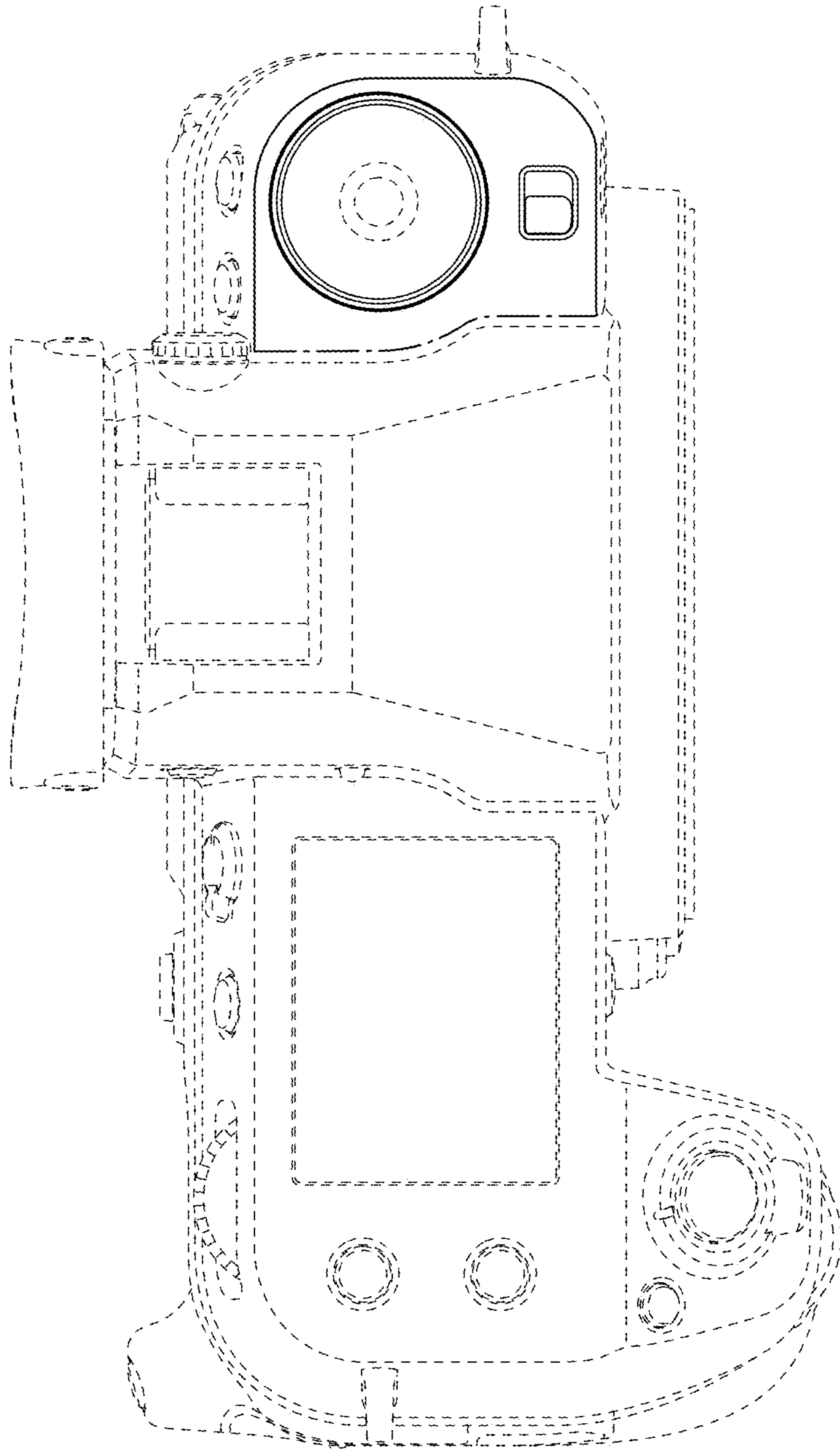


FIG. 8

