



US00D954773S

(12) **United States Design Patent** (10) **Patent No.:** **US D954,773 S**
Chen (45) **Date of Patent:** **** Jun. 14, 2022**

(54) **NIGHT VISION GOGGLES**

OTHER PUBLICATIONS

(71) Applicant: **Dongguan Aomeijia Electronic Co., Ltd.**, Dongguan (CN)

Hike Crew Digital Night Vision Binoculars, posted at amazon.com, posting date Feb. 18, 2020, [online], [site visited Jan. 24, 2022]. Available from Internet, URL: <https://www.amazon.com/dp/B084XWZNFV?th=1> (Year: 2020).*

(72) Inventor: **Zhujun Chen**, Dongguan (CN)

Solomark Night Vision Binoculars, posted at amazon.com, posting date Apr. 17, 2017, [online], [site visited Jan. 24, 2022]. Available from Internet, URL: <https://www.amazon.com/dp/B06ZY5LPD2> (Year: 2017).*

(73) Assignee: **Dongguan Aomeijia Electronic Co., Ltd.**, Dongguan (CN)

VABSCE Digital Night Vision Binoculars, posted at amazon.com, posting date Sep. 28, 2020, [online], [site visited Jan. 24, 2022]. Available from Internet, URL: <https://www.amazon.com/dp/B08K8RPBLT/?tag=cb-053038-20> (Year: 2020).*

(**) Term: **15 Years**

(21) Appl. No.: **29/775,106**

* cited by examiner

(22) Filed: **Mar. 22, 2021**

(30) **Foreign Application Priority Data**

Primary Examiner — Maria J. Edwards

Mar. 12, 2021 (CN) 202130134470.8

(51) **LOC (13) Cl.** **16-06**

(57) **CLAIM**

(52) **U.S. Cl.**

The ornamental design for night vision goggles, as shown and described.

USPC **D16/133**

(58) **Field of Classification Search**

DESCRIPTION

USPC D16/133

CPC G02B 23/00

See application file for complete search history.

FIG. 1 is a perspective view of night vision goggles showing my new design;

(56) **References Cited**

FIG. 2 is a front elevational view thereof;

U.S. PATENT DOCUMENTS

FIG. 3 is a rear elevational view thereof;

D351,398 S * 10/1994 Meinzer D16/133

FIG. 4 is a left side elevational view thereof;

D457,541 S * 5/2002 Hayashi D16/133

FIG. 5 is a right side elevational view thereof;

D509,839 S * 9/2005 Hoshi D16/133

FIG. 6 is a top plan view thereof;

D521,037 S 5/2006 Swift et al.

FIG. 7 is a bottom plan view thereof; and,

D522,551 S * 6/2006 Hayashi D16/133

FIG. 8 is another perspective view of the night vision goggles shown in FIG. 1.

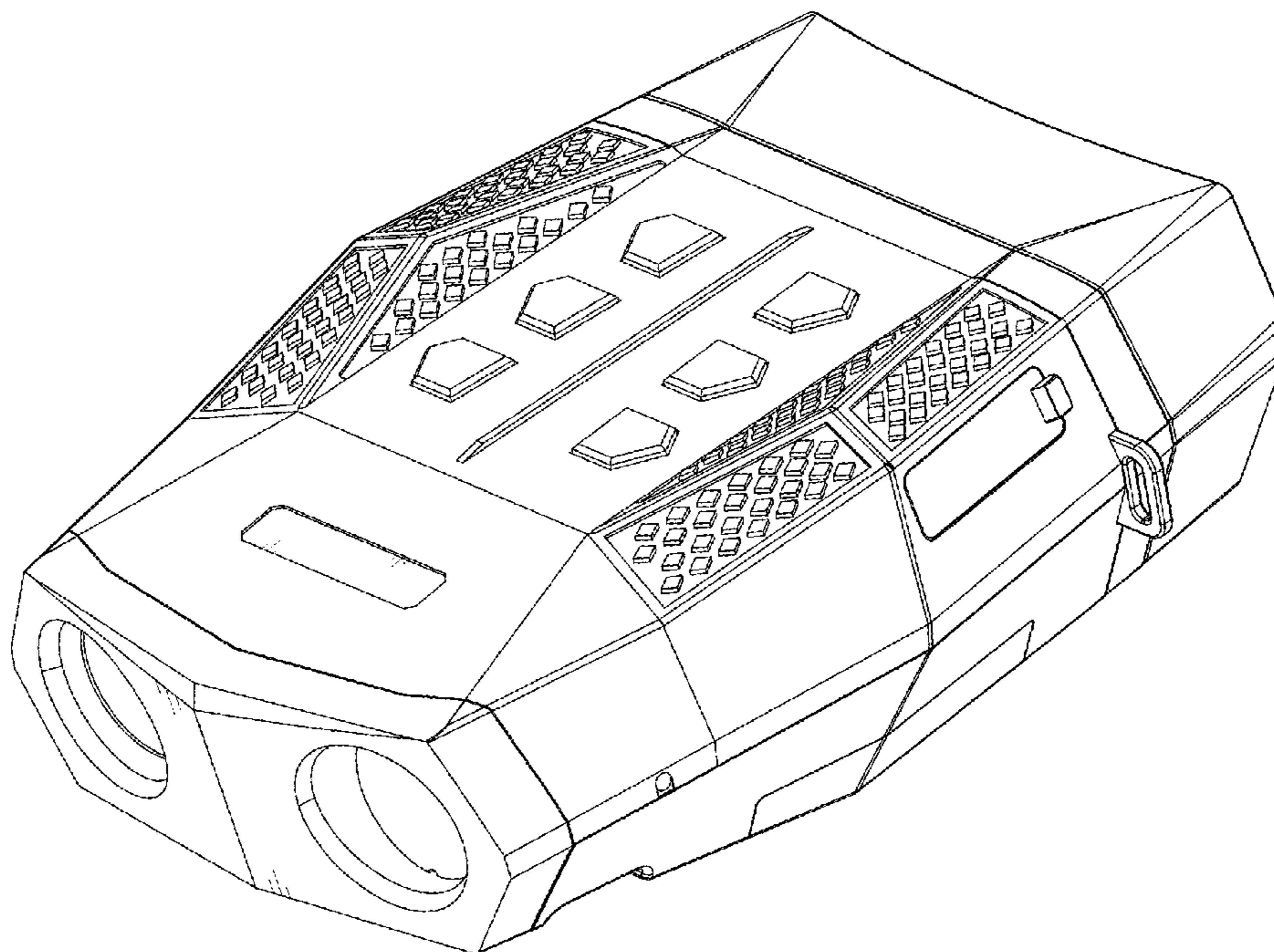
D752,670 S * 3/2016 Chen D16/133

The broken lines in the drawings depict portions of the night vision goggles that form no part of the claimed design.

D850,507 S * 6/2019 Sun D16/133

1 Claim, 8 Drawing Sheets

D911,410 S 2/2021 An



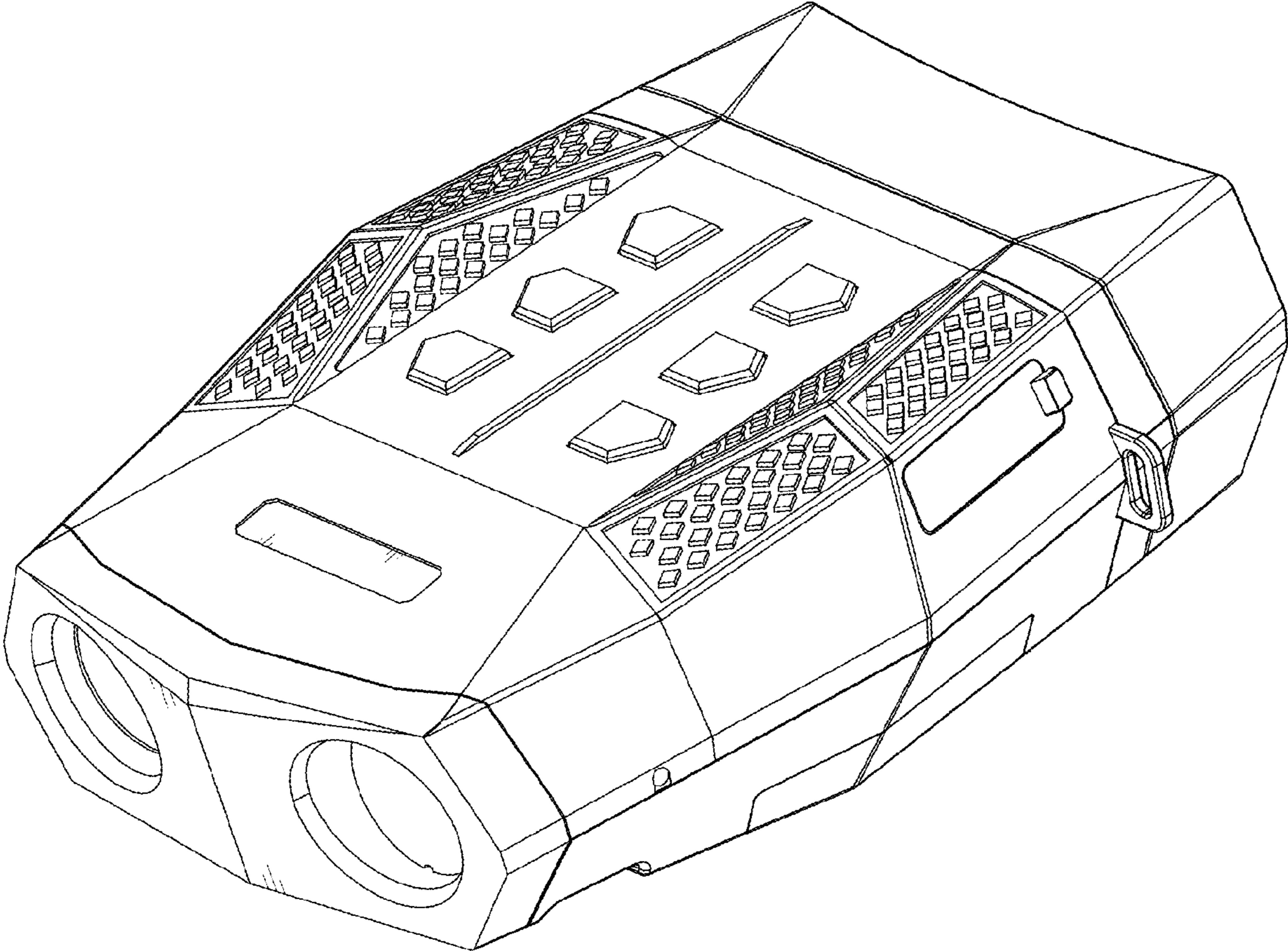


FIG. 1

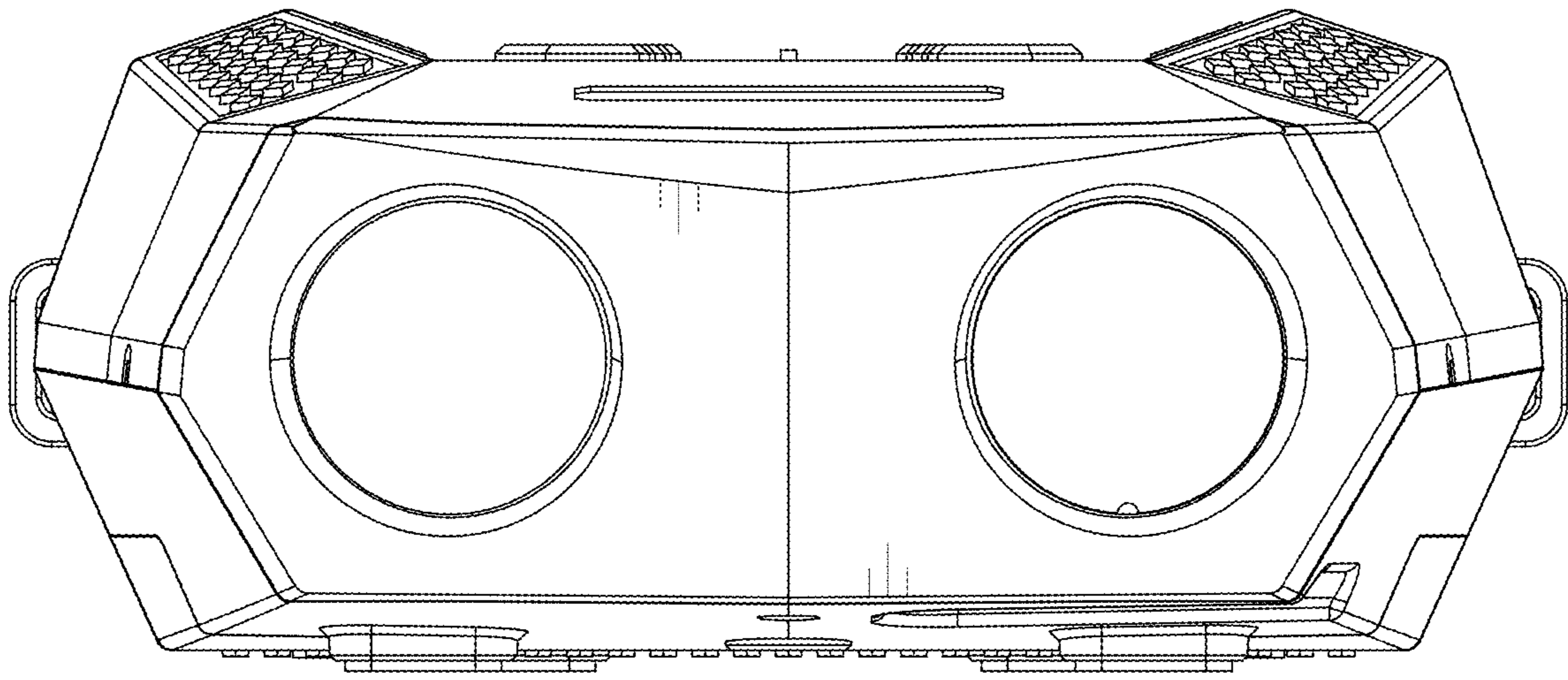


FIG. 2

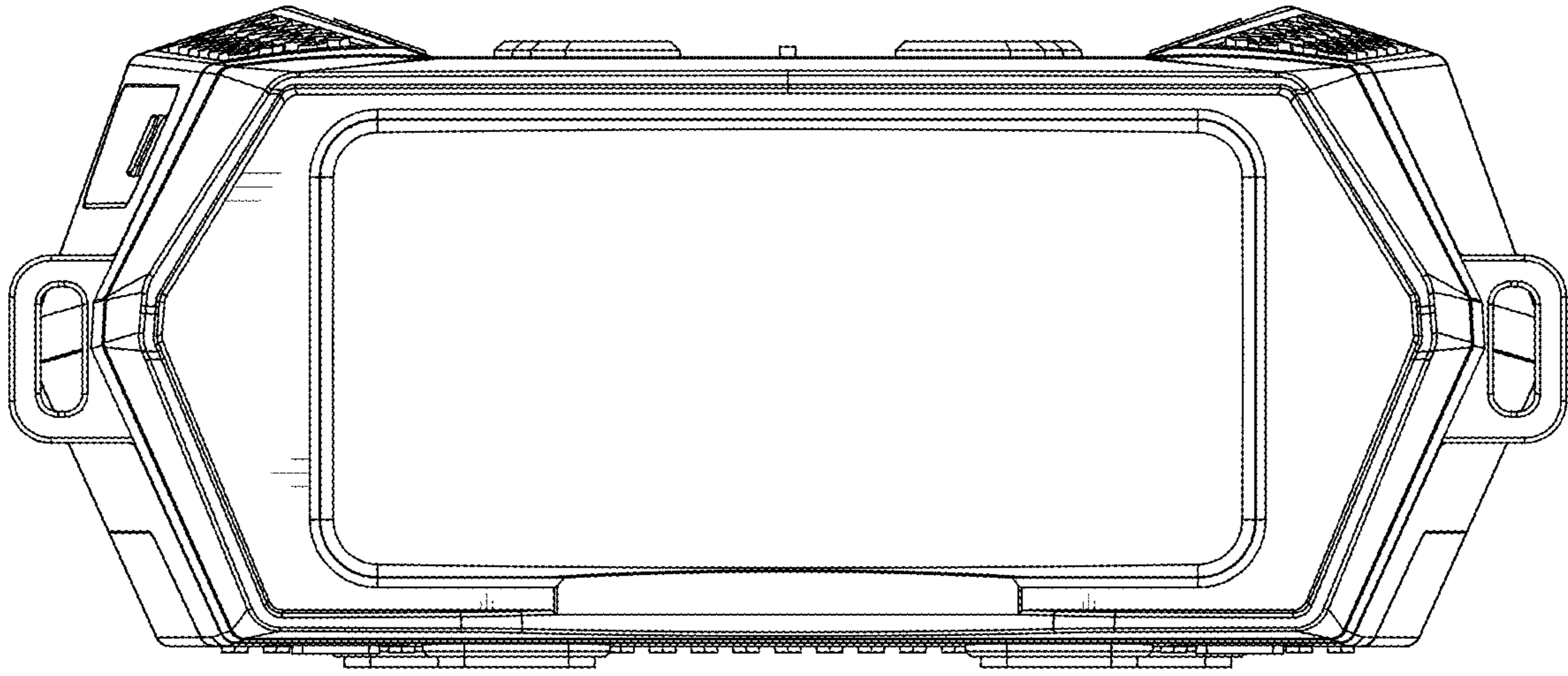


FIG. 3

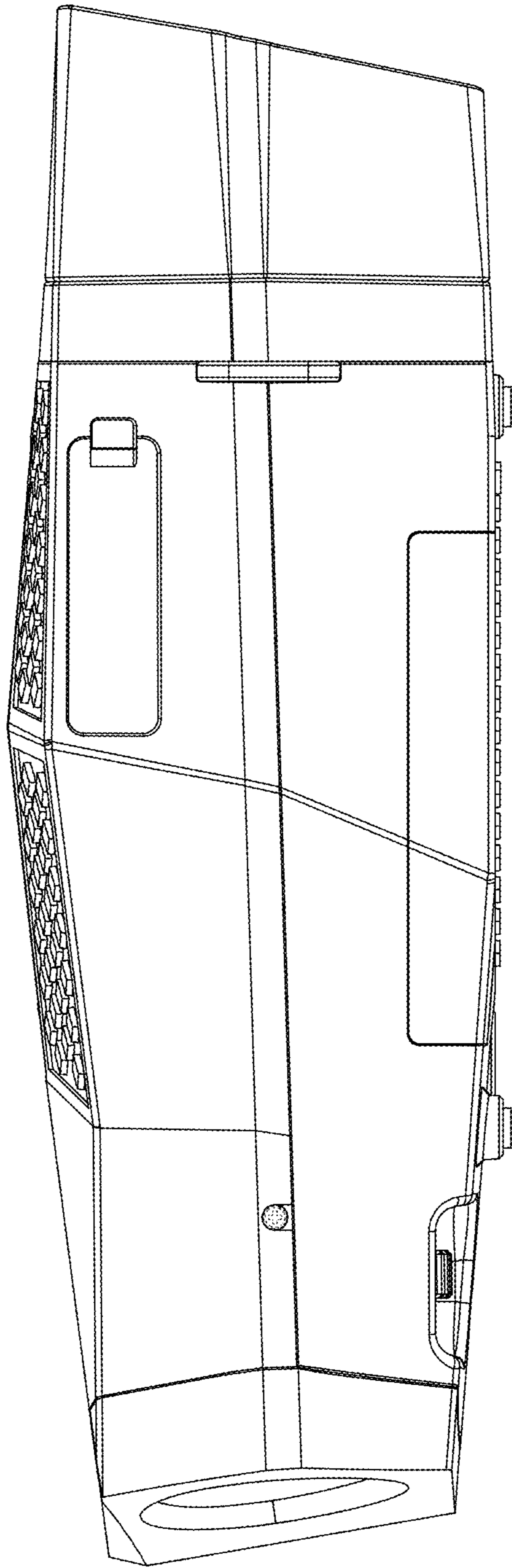


FIG. 4

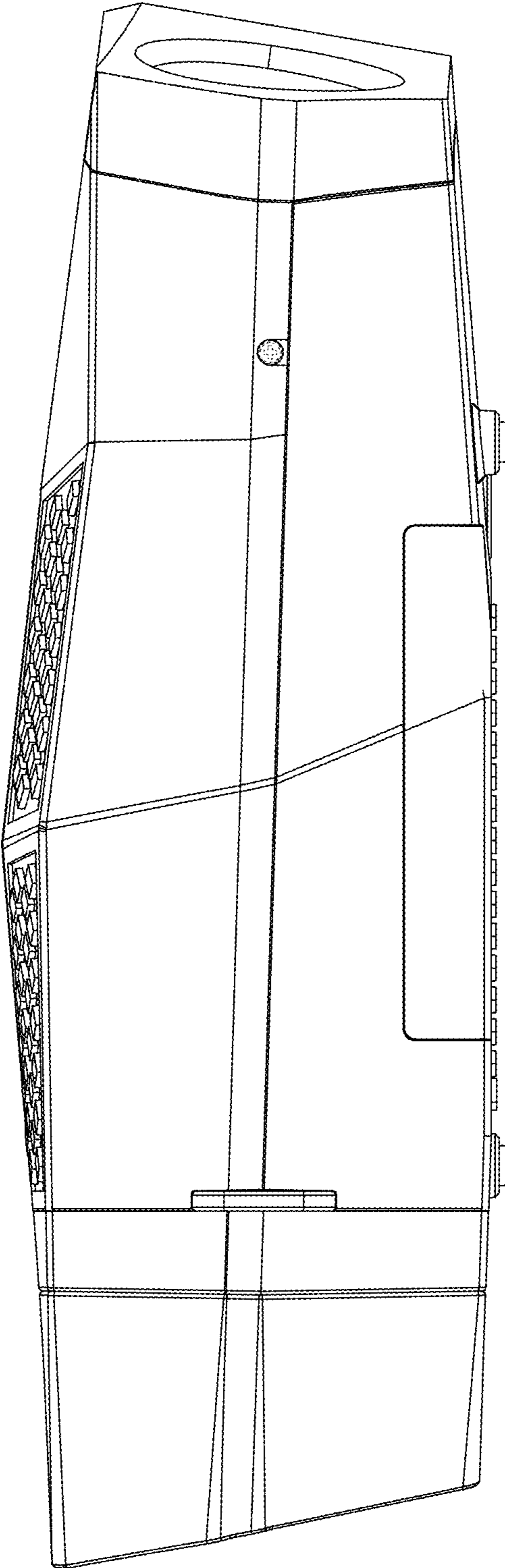


FIG. 5

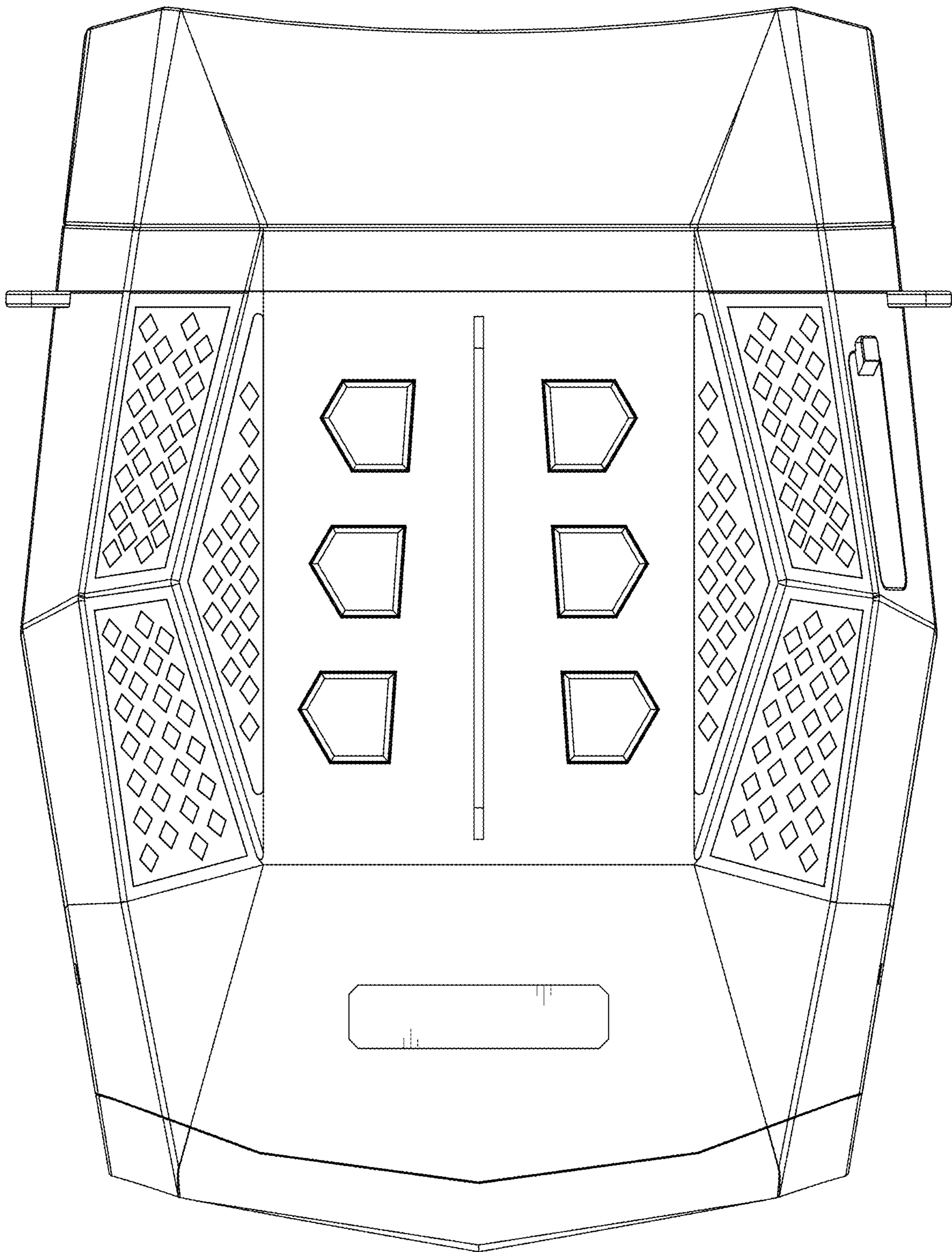


FIG. 6

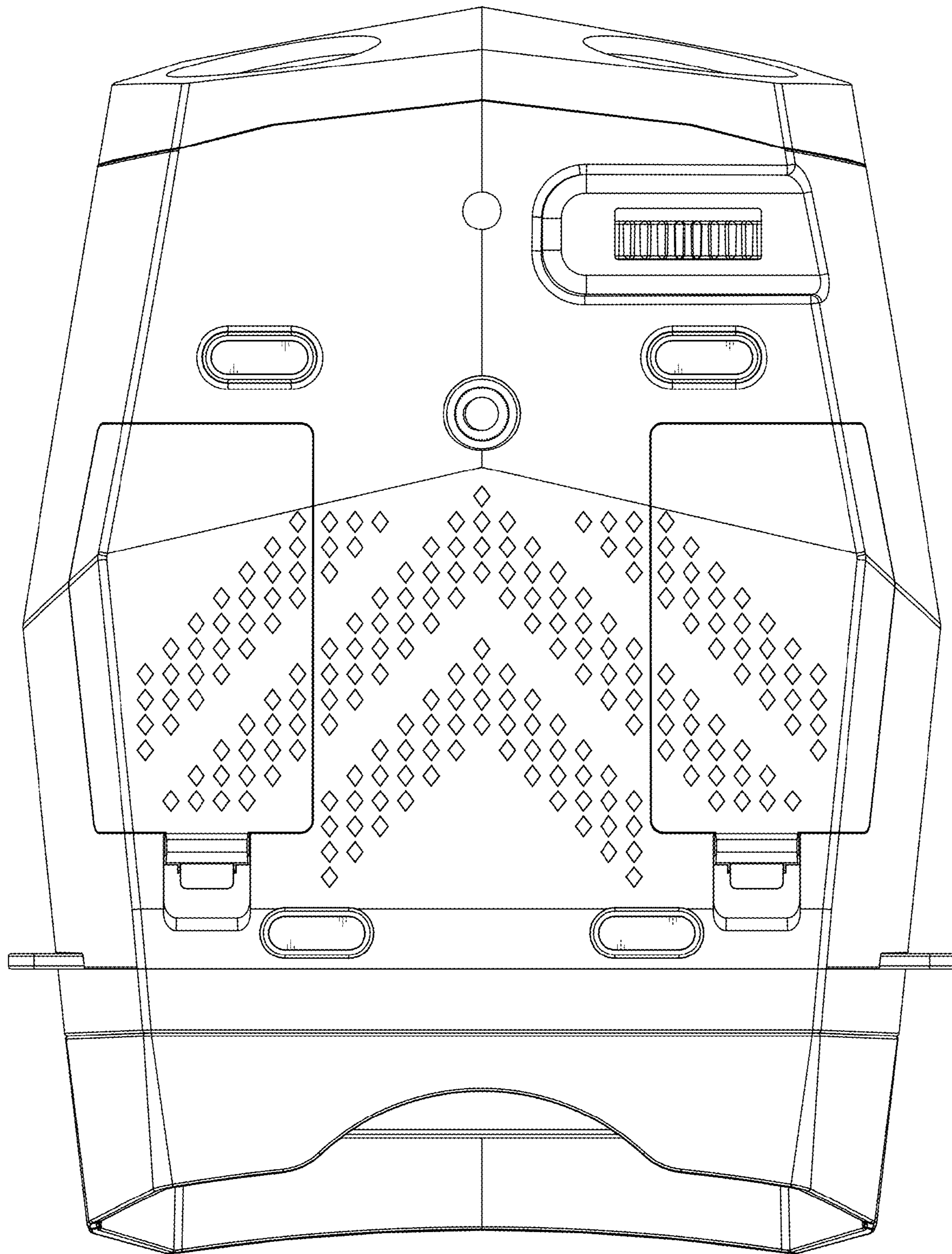


FIG. 7

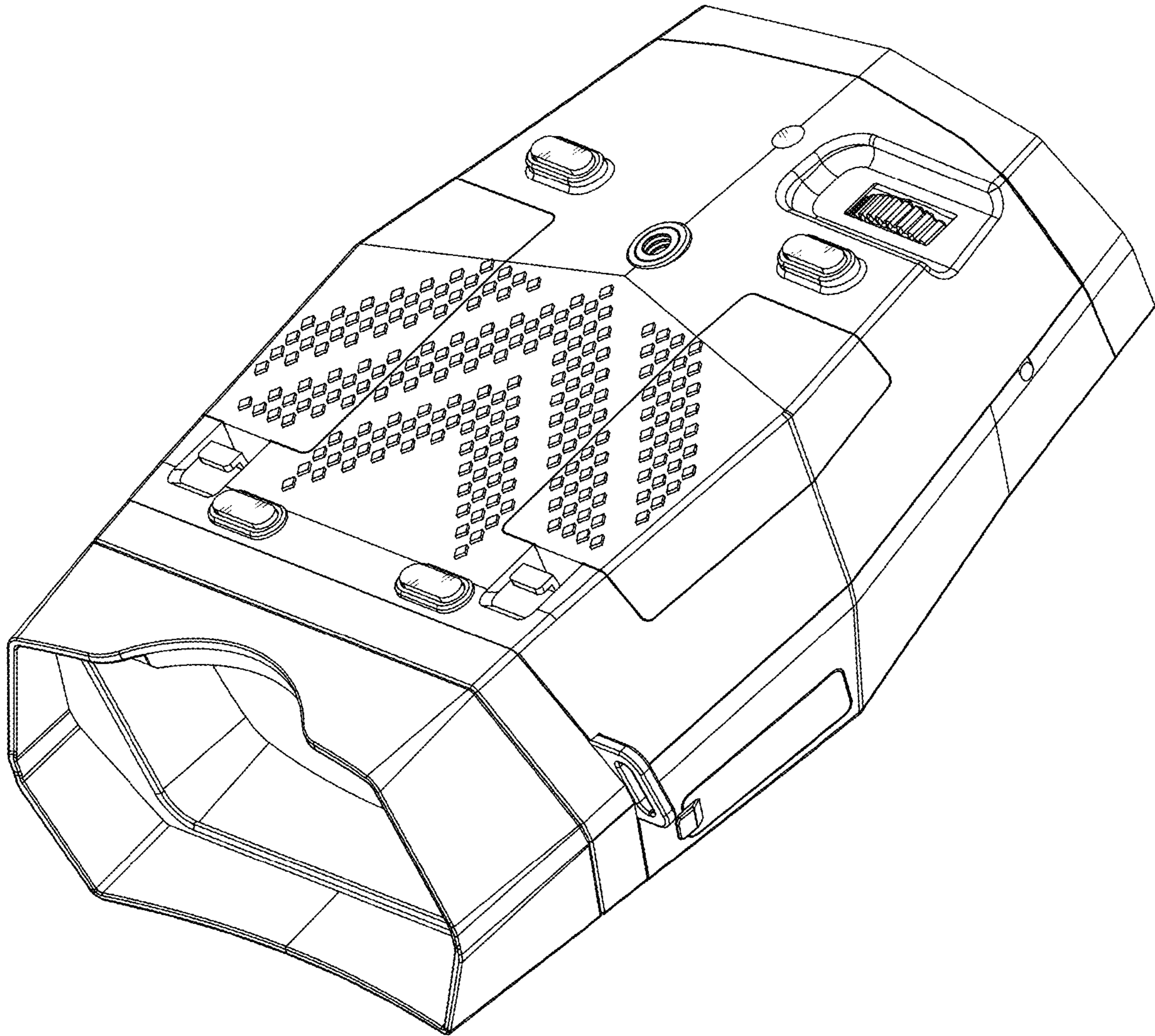


FIG. 8