



US00D954770S

(12) **United States Design Patent**  
**Zhu**

(10) **Patent No.:** **US D954,770 S**  
(45) **Date of Patent:** **\*\* Jun. 14, 2022**

(54) **VACUUM SEALER**  
(71) Applicant: **Jinhua Zhu, Wuxi (CN)**  
(72) Inventor: **Jinhua Zhu, Wuxi (CN)**  
(\*\*) Term: **15 Years**  
(21) Appl. No.: **29/767,966**  
(22) Filed: **Jan. 26, 2021**  
(51) **LOC (13) Cl.** ..... **15-09**  
(52) **U.S. Cl.**  
USPC ..... **D15/146**  
(58) **Field of Classification Search**  
USPC ..... D15/145, 146; D18/50  
CPC ..... B23C 63/0065; B23C 63/0091; B23C  
63/1018; B65B 31/046; B65B 31/047;  
B65B 31/048; B65B 51/10  
See application file for complete search history.

D633,118 S \* 2/2011 Beatty ..... D15/146  
D640,299 S \* 6/2011 Day ..... D15/146  
D658,694 S \* 5/2012 Day ..... D15/146  
D686,649 S \* 7/2013 Zhou ..... D15/146  
D694,794 S \* 12/2013 Cumming ..... D15/146  
D763,334 S \* 8/2016 Yoshitomi ..... D15/146  
D823,913 S \* 7/2018 Chou ..... D15/146  
D854,065 S \* 7/2019 Owens ..... D15/146  
D871,470 S \* 12/2019 Xu ..... D15/146  
D910,726 S \* 2/2021 Sun ..... D15/146  
D930,724 S \* 9/2021 Zhou ..... D15/146  
D936,717 S \* 11/2021 Chen ..... D15/146  
D937,919 S \* 12/2021 Chen ..... D15/146  
2005/0022480 A1\* 2/2005 Brakes ..... B65B 31/00  
53/512

\* cited by examiner

*Primary Examiner* — Patricia A Palasik  
(74) *Attorney, Agent, or Firm* — Steven W Weinrieb

(56) **References Cited**

U.S. PATENT DOCUMENTS

D215,568 S \* 10/1969 Kellogg ..... D15/146  
D238,444 S \* 1/1976 Kellogg ..... D15/146  
D249,526 S \* 9/1978 Kishida ..... D15/146  
4,561,925 A \* 12/1985 Skerjanec ..... B29C 66/861  
156/379.6  
D301,238 S \* 5/1989 Makihara ..... D15/146  
4,941,310 A \* 7/1990 Kristen ..... B65B 31/046  
53/512  
D354,966 S \* 1/1995 Lim ..... D15/145  
D510,369 S \* 10/2005 Presta ..... D15/146  
7,003,928 B2 \* 2/2006 Patterson ..... B65B 31/06  
53/405  
D536,355 S \* 2/2007 Levsen ..... D15/146  
7,204,067 B2 \* 4/2007 Baptista ..... B65B 51/146  
53/434  
7,392,641 B2 \* 7/2008 Abate ..... B65B 31/046  
53/374.9  
7,540,127 B2 \* 6/2009 Sung ..... B65B 31/046  
53/434  
D618,716 S \* 6/2010 Huang ..... D15/146

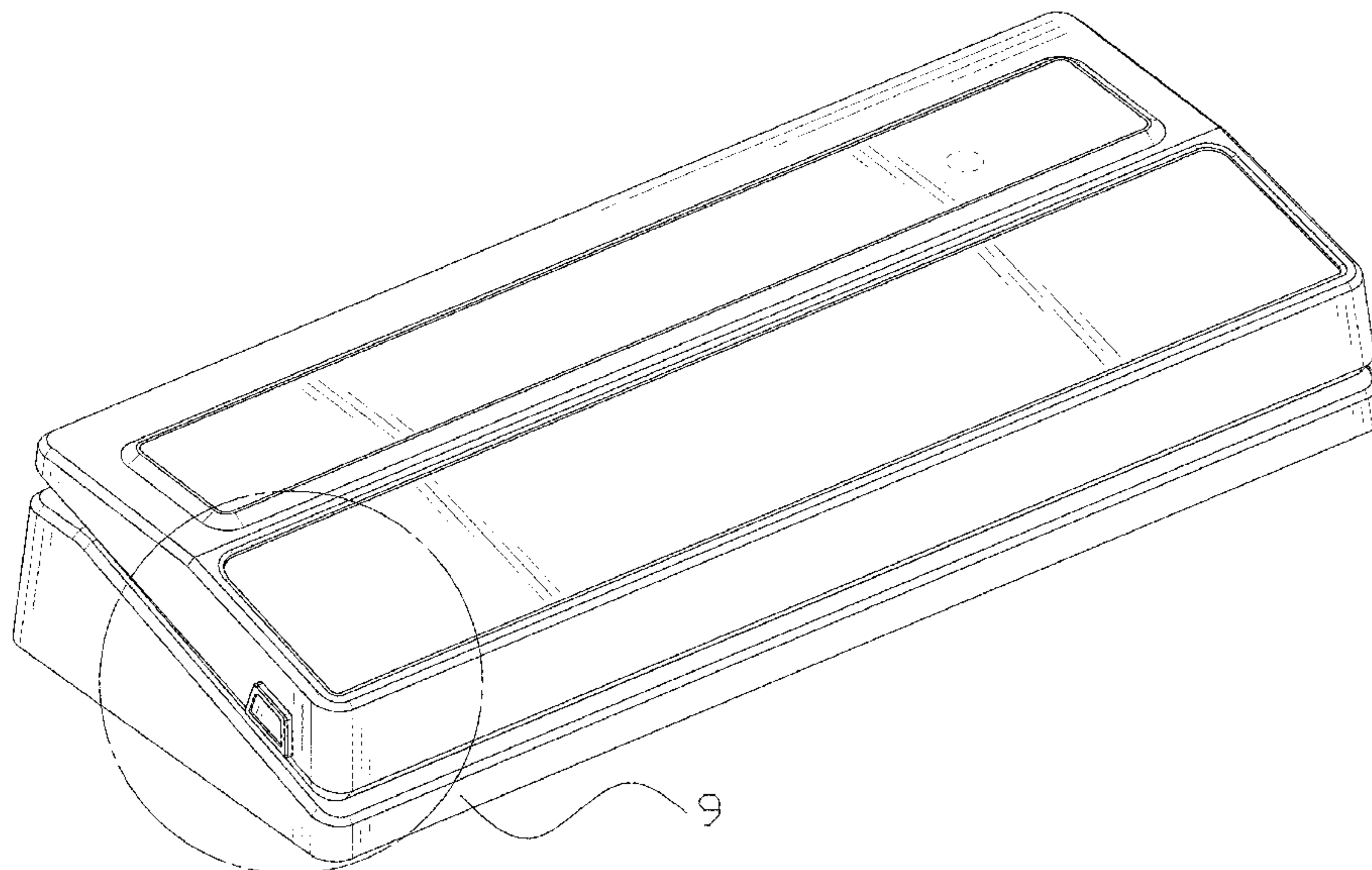
(57) **CLAIM**

The ornamental design for a vacuum sealer, as shown and described.

**DESCRIPTION**

FIG. 1 is a front, left side, top perspective view of a vacuum sealer showing my new design;  
FIG. 2 is a rear, right side, bottom perspective view thereof;  
FIG. 3 is a front elevational view thereof;  
FIG. 4 is a rear elevational view thereof;  
FIG. 5 is a left side elevational view thereof;  
FIG. 6 is a right side elevational view thereof;  
FIG. 7 is a top plan view thereof;  
FIG. 8 is a bottom plan view thereof; and,  
FIG. 9 is an enlarged detailed view of the encircled region denoted by the number 9 as shown in FIG. 1.  
The broken lines depict portions of the vacuum sealer that form no part of the claimed design.

**1 Claim, 9 Drawing Sheets**



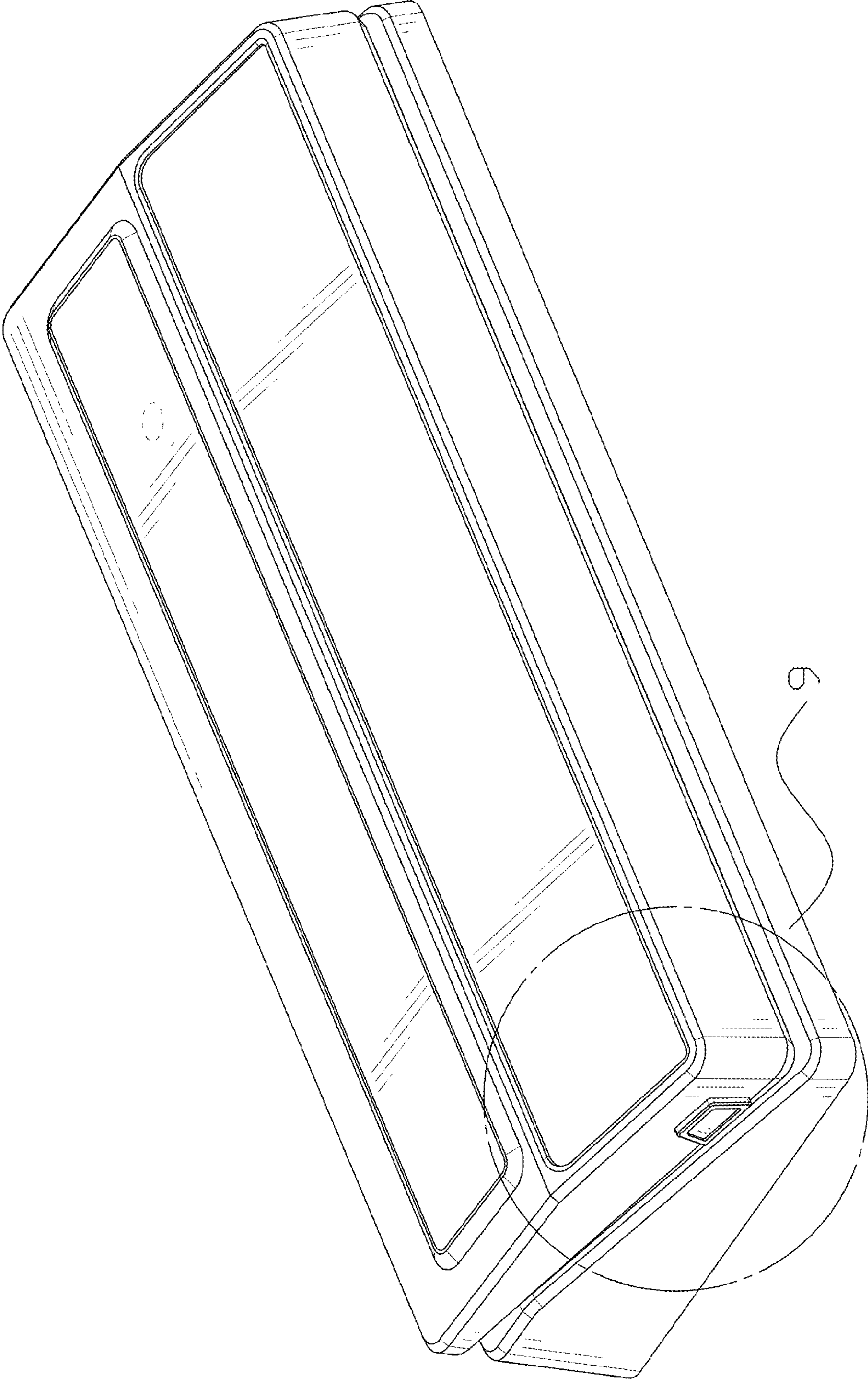


FIG.1



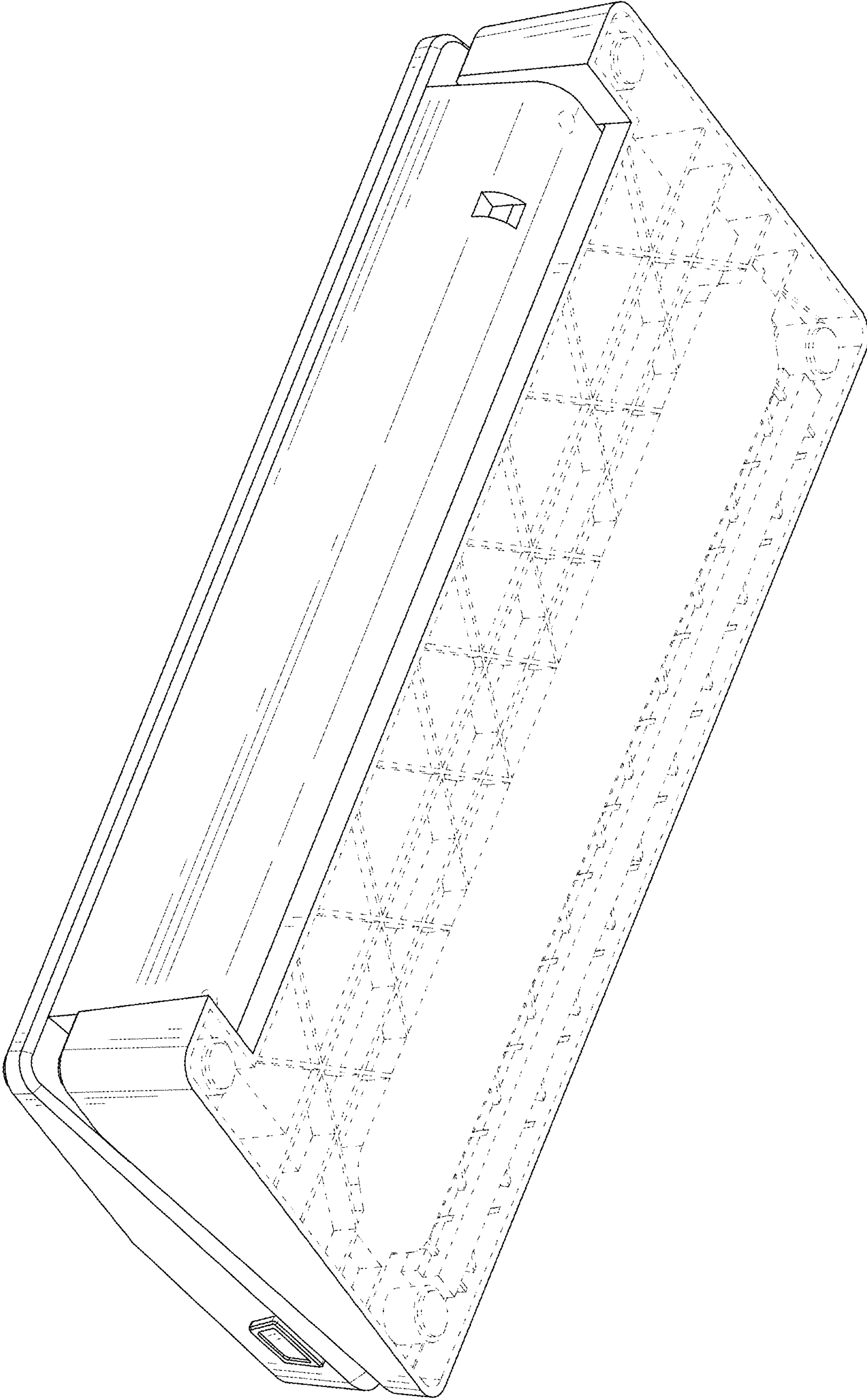


FIG.2

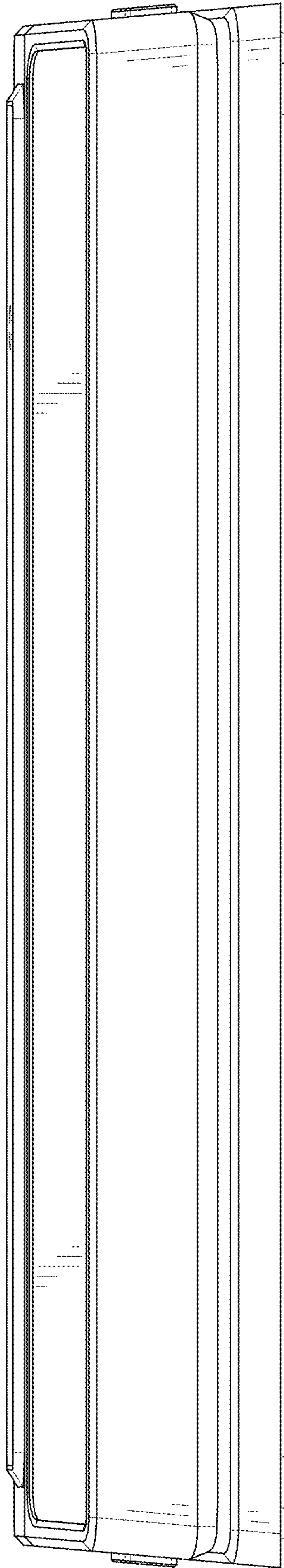


FIG. 3

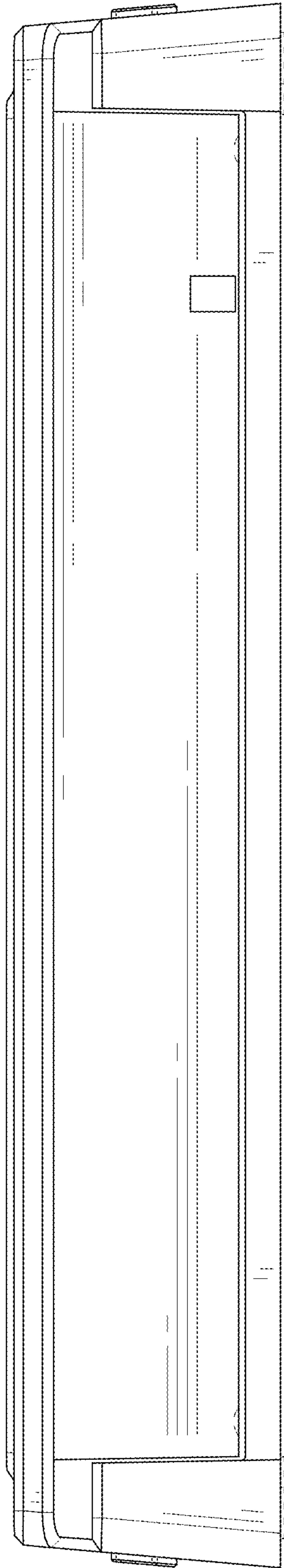


FIG. 4

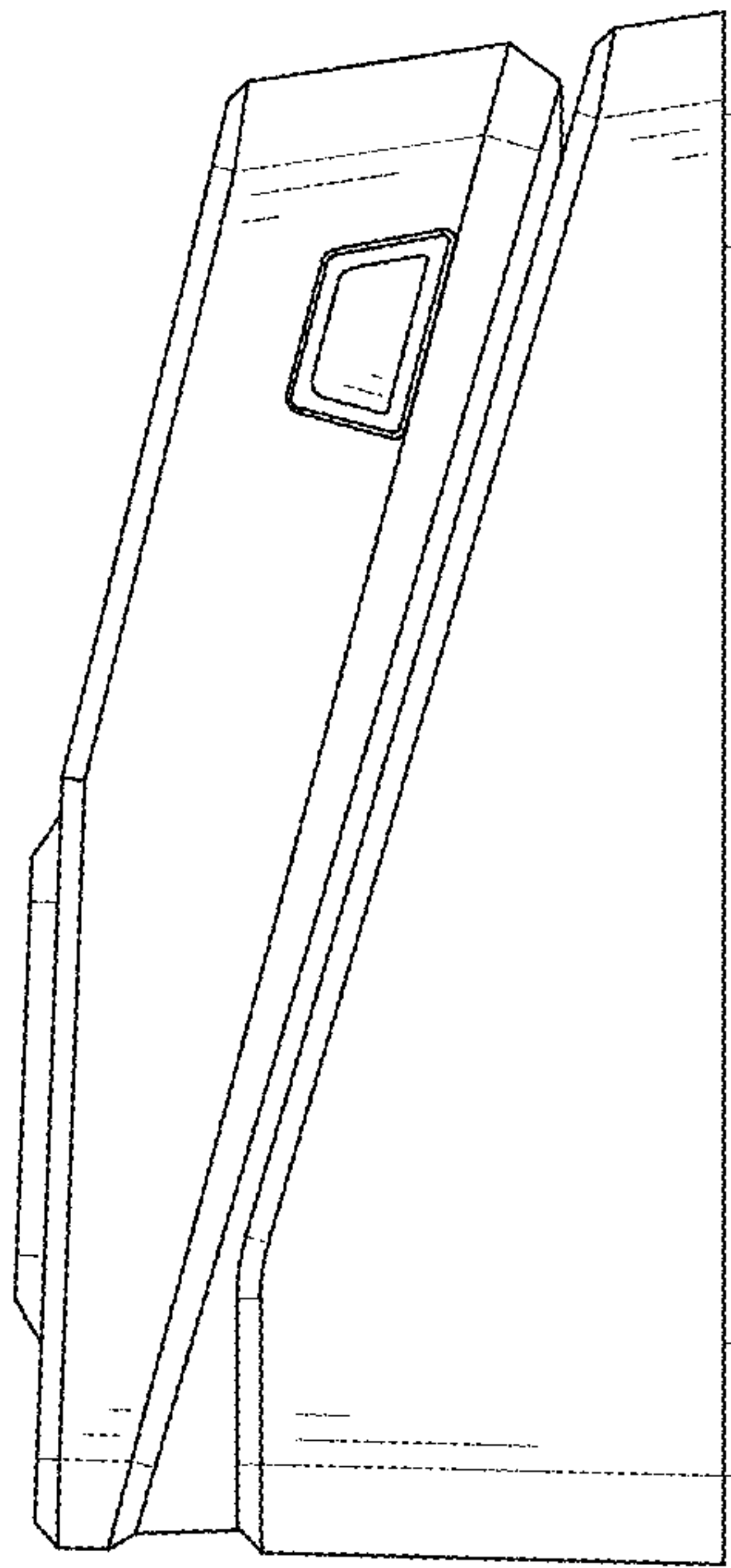


FIG. 5

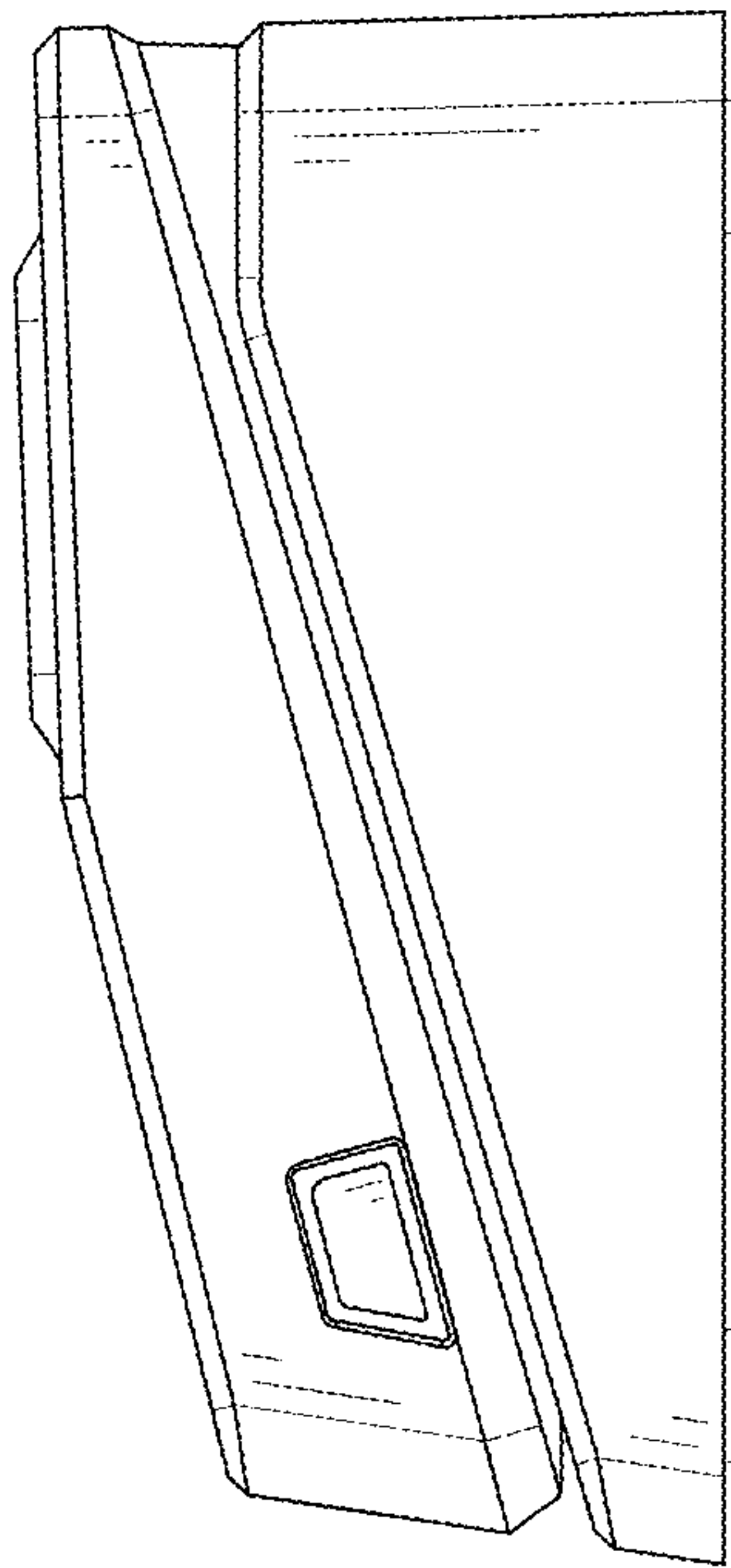


FIG. 6

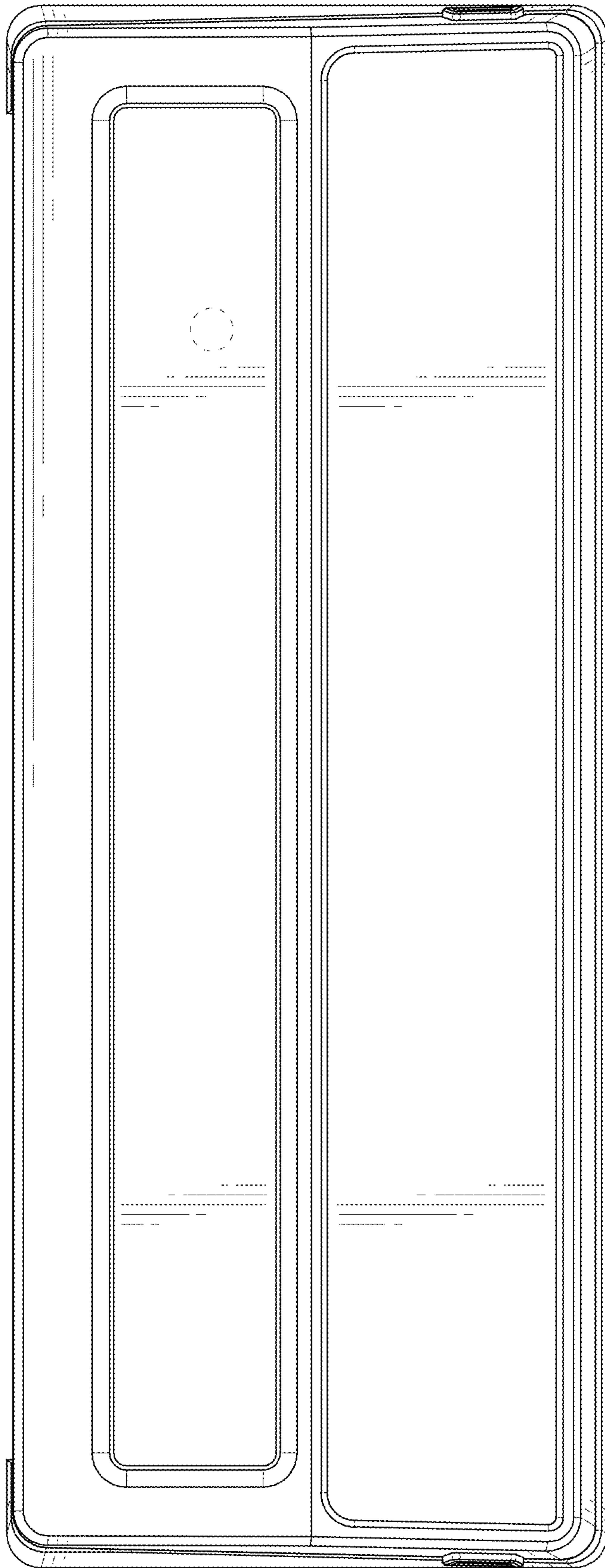


FIG. 7



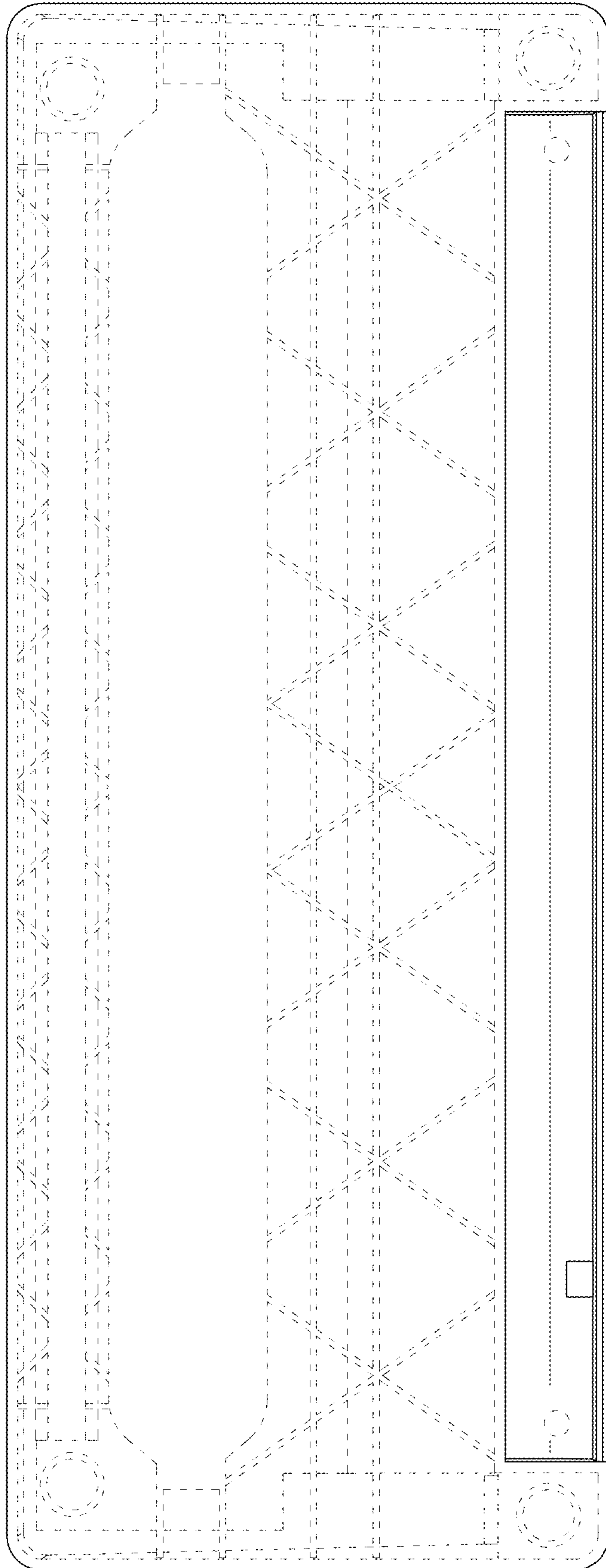


FIG. 8

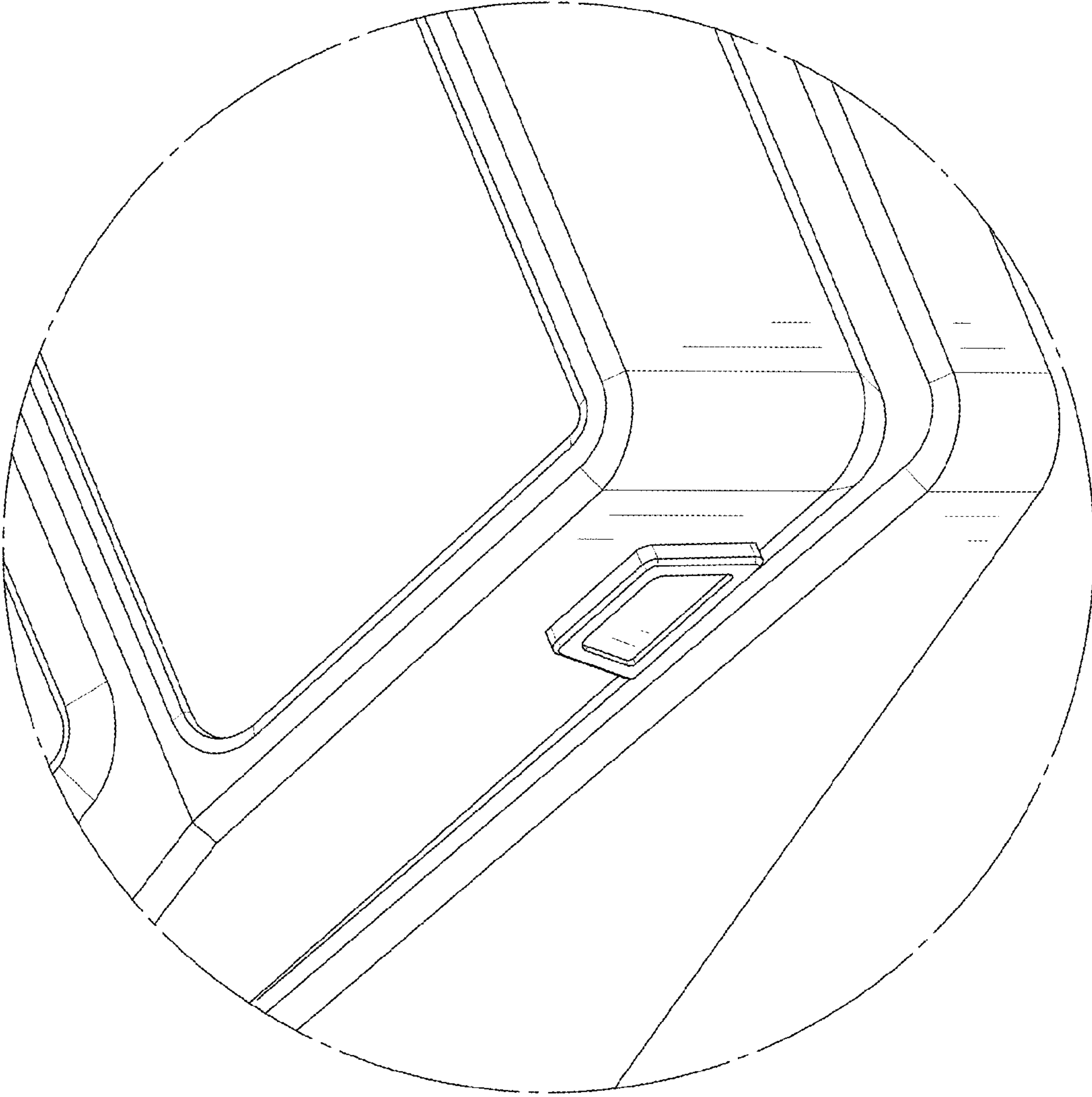


FIG.9