



US00D954769S

(12) **United States Design Patent**  
**Green et al.**

(10) **Patent No.:** **US D954,769 S**  
(45) **Date of Patent:** **\*\* Jun. 14, 2022**

- (54) **ENCLOSURE SYSTEM SHELF**
- (71) Applicant: **Applied Materials, Inc.**, Santa Clara, CA (US)
- (72) Inventors: **Aaron Green**, Sunnyvale, CA (US);  
**Nicholas Michael Bergantz**, Sunnyvale, CA (US)
- (73) Assignee: **Applied Materials, Inc.**, Santa Clara, CA (US)
- (\*\*) Term: **15 Years**
- (21) Appl. No.: **29/736,743**
- (22) Filed: **Jun. 2, 2020**
- (51) **LOC (13) Cl.** ..... **15-09**
- (52) **U.S. Cl.**  
USPC ..... **D15/138**
- (58) **Field of Classification Search**  
USPC ..... D13/123, 158, 162, 182, 184, 199;  
D14/308; D15/122, 138, 199  
CPC ..... H01L 21/67373; H01L 21/67379; H01L 21/67383  
See application file for complete search history.

- D665,387 S \* 8/2012 Hsiao ..... D14/301
- 8,384,033 B2 2/2013 Burns et al.
- 8,397,739 B2 3/2013 Gregor et al.
- 8,784,033 B2 7/2014 Kremerman et al.
- 8,857,619 B1 \* 10/2014 Yang ..... H01L 21/67379  
206/710

(Continued)

**FOREIGN PATENT DOCUMENTS**

- EP 1434256 A2 \* 6/2004 ..... H01L 21/67379
- JP 10165884 A 6/1998

(Continued)

**OTHER PUBLICATIONS**

International Search Report and Written Opinion dated Sep. 1, 2020, for application No. PCT/US2020/033774.

(Continued)

*Primary Examiner* — Patricia A Palasik  
(74) *Attorney, Agent, or Firm* — Lowenstein Sandler LLP

(57) **CLAIM**

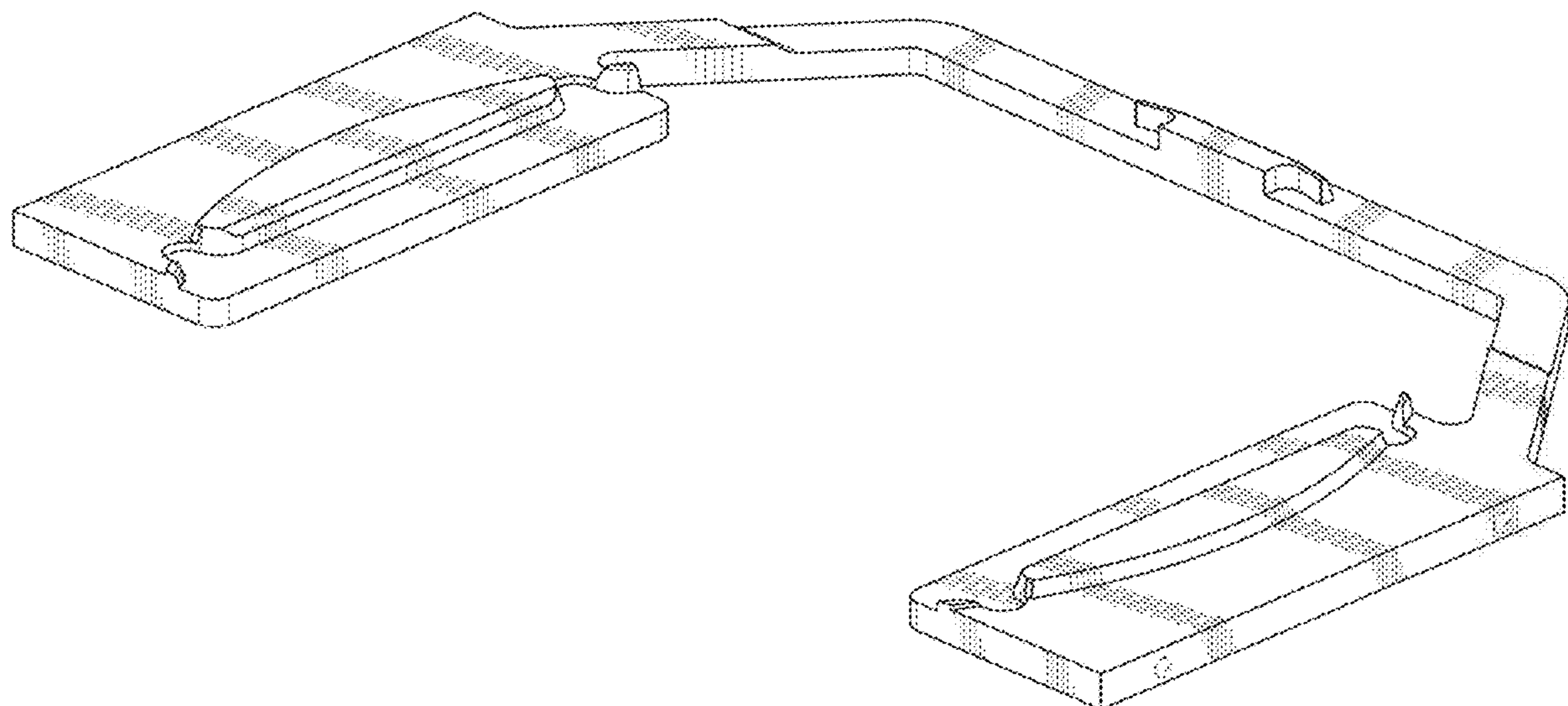
The ornamental design for an enclosure system shelf, as substantially shown and described.

**DESCRIPTION**

FIG. 1 shows a front perspective view of an enclosure system shelf in accordance with the present invention; FIG. 2 shows a front elevation view thereof; FIG. 3 shows a rear elevation view thereof; FIG. 4 shows a left side elevation view thereof; FIG. 5 shows a right side elevation view thereof; FIG. 6 shows a top plan view thereof; and FIG. 7 shows a bottom plan view thereof; and, FIG. 8 shows a front perspective view thereof in its intended environment. The broken lines in the drawings depict unclaimed environmental subject matter.

**1 Claim, 6 Drawing Sheets**

- (56) **References Cited**
- U.S. PATENT DOCUMENTS**
- D311,177 S \* 10/1990 Peters, III ..... D14/308
- 5,749,469 A \* 5/1998 Williams ..... H01L 21/67383  
206/454
- 5,957,292 A \* 9/1999 Mikkelsen ..... H01L 21/67373  
206/710
- 6,176,023 B1 \* 1/2001 Doche ..... H01L 21/67353  
34/107
- 6,199,291 B1 3/2001 Ozee
- 6,398,033 B1 \* 6/2002 Wu ..... B65D 25/2841  
16/418
- 6,676,759 B1 1/2004 Takagi
- D488,153 S \* 4/2004 Tosh ..... D14/300
- 7,792,350 B2 9/2010 Kiley et al.



(56)

References Cited

U.S. PATENT DOCUMENTS

9,457,464 B2 10/2016 Kremerman et al.  
 9,579,788 B2 2/2017 Rosenberg et al.  
 D792,389 S \* 7/2017 Keisling ..... D14/308  
 D802,582 S \* 11/2017 Krivonak ..... D14/308  
 9,881,820 B2 1/2018 Wong et al.  
 9,947,517 B1 4/2018 Luere et al.  
 10,014,198 B2 7/2018 Richardson  
 10,041,868 B2 8/2018 Gottscho  
 10,043,695 B1 \* 8/2018 Chang ..... H01L 21/67373  
 10,062,589 B2 8/2018 Wong et al.  
 10,062,590 B2 8/2018 Wong et al.  
 10,062,599 B2 8/2018 Genetti et al.  
 10,103,010 B2 10/2018 Luere et al.  
 10,124,492 B2 11/2018 Genetti et al.  
 2001/0042697 A1 \* 11/2001 Yajima ..... H01L 21/67369  
 206/454  
 2002/0020650 A1 \* 2/2002 Fujimori ..... H01L 21/67369  
 206/454  
 2005/0247594 A1 \* 11/2005 Mimura ..... H01L 21/67369  
 206/710  
 2006/0013674 A1 \* 1/2006 Elliott ..... H01L 21/67775  
 414/222.01  
 2006/0061979 A1 \* 3/2006 Elliott ..... H01L 21/67379  
 361/807  
 2006/0278564 A1 \* 12/2006 Obayashi ..... H01L 21/67379  
 206/711  
 2007/0134904 A1 6/2007 Wan et al.  
 2007/0231110 A1 \* 10/2007 Akiyama ..... H01L 21/67379  
 414/217  
 2007/0295638 A1 \* 12/2007 Nakatogawa ..... H01L 21/67383  
 206/711  
 2008/0041761 A1 \* 2/2008 Nakatogawa ..... H01L 21/67379  
 206/711  
 2010/0194015 A1 8/2010 Vekstein et al.  
 2010/0206767 A1 \* 8/2010 Odashima ..... H01L 21/67379  
 206/710  
 2013/0068656 A1 \* 3/2013 Sheng ..... H01L 21/67379  
 206/710  
 2014/0367307 A1 \* 12/2014 Oyama ..... H01L 21/67386  
 206/711  
 2015/0030416 A1 \* 1/2015 Sakiya ..... B25J 11/0095  
 414/217.1  
 2015/0041353 A1 \* 2/2015 Adams ..... H01L 21/67376  
 206/454  
 2015/0279711 A1 \* 10/2015 Matsutori ..... H01L 21/67369  
 206/723  
 2016/0141194 A1 \* 5/2016 Kirkland ..... H01L 21/67383  
 206/710  
 2016/0211165 A1 7/2016 McChesney et al.  
 2016/0211166 A1 7/2016 Yan et al.  
 2016/0216185 A1 7/2016 Gottscho

2017/0053819 A1 2/2017 Richardson  
 2017/0113355 A1 4/2017 Genetti et al.  
 2017/0115657 A1 4/2017 Trussell et al.  
 2017/0117172 A1 4/2017 Genetti et al.  
 2017/0119339 A1 5/2017 Johnson et al.  
 2017/0133283 A1 5/2017 Kenworthy  
 2017/0213758 A1 7/2017 Rice et al.  
 2017/0236688 A1 8/2017 Caron et al.  
 2017/0236741 A1 8/2017 Angelov et al.  
 2017/0236743 A1 8/2017 Severson et al.  
 2017/0263478 A1 9/2017 McChesney et al.  
 2017/0287682 A1 10/2017 Musselman et al.  
 2017/0287753 A1 10/2017 Musselman et al.  
 2017/0330786 A1 11/2017 Genetti et al.  
 2017/0334074 A1 11/2017 Genetti et al.  
 2017/0372930 A1 \* 12/2017 Schober ..... H01L 21/67346  
 2018/0019107 A1 1/2018 Ishizawa  
 2018/0019142 A1 1/2018 Wong et al.  
 2018/0032062 A1 2/2018 Trussell et al.  
 2018/0040492 A1 2/2018 Wong et al.  
 2018/0068879 A1 3/2018 Wong et al.  
 2018/0090354 A1 3/2018 Sugita et al.  
 2018/0122674 A1 \* 5/2018 Dovidis ..... H01L 21/67346  
 2018/0166259 A1 6/2018 Ueda  
 2018/0218933 A1 8/2018 Luere et al.  
 2018/0233328 A1 8/2018 Ueda et al.  
 2018/0277416 A1 9/2018 Takahashi et al.  
 2018/0301322 A1 10/2018 Sugita et al.  
 2018/0315583 A1 11/2018 Luere et al.  
 2018/0315640 A1 11/2018 Ueda et al.  
 2019/0088531 A1 3/2019 Sarode Vishwanath et al.  
 2019/0244845 A1 \* 8/2019 Parathithasan ... H01L 21/67386  
 2020/0122320 A1 4/2020 Yoshida et al.

FOREIGN PATENT DOCUMENTS

JP 2009095783 A 5/2009  
 JP 4559317 B2 10/2010  
 KR 20160016409 A 2/2016  
 WO WO-2017186172 A1 \* 11/2017 ..... H01L 21/68707  
 WO WO-2018112055 A2 \* 6/2018 ..... E05C 9/10  
 WO WO-2018226800 A1 \* 12/2018 ..... H01L 21/67386  
 WO WO-2019097832 A1 \* 5/2019 ..... B65D 85/30

OTHER PUBLICATIONS

Entegris F300 AutoPds, Wafer Carrier Clean, Secure wafer transport and optimum automation intergartion, <https://www.entegris.com>.  
 Entegris Spectra Foup, Front opening unified pod platform with superior microenvironment control, <https://www.entegris.com/content/dam/shared-product-assets/wafer-processing/datasheet-spectra-foup-2413.pdf>, Retrieved May 20, 2019.

\* cited by examiner



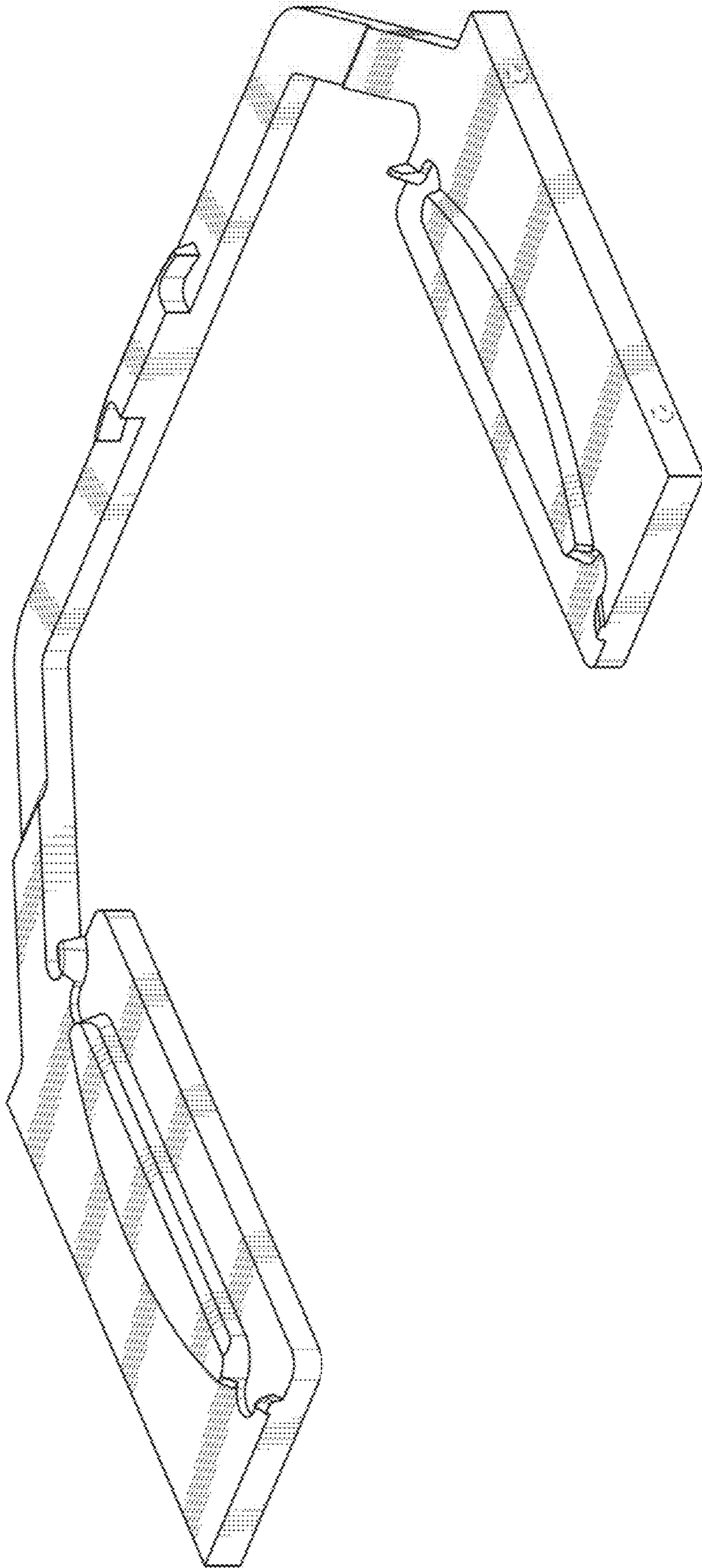


FIG. 1

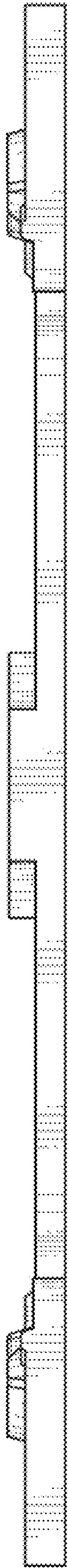


FIG. 2

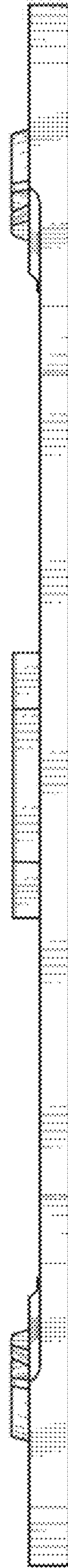


FIG. 3



FIG. 5



FIG. 4

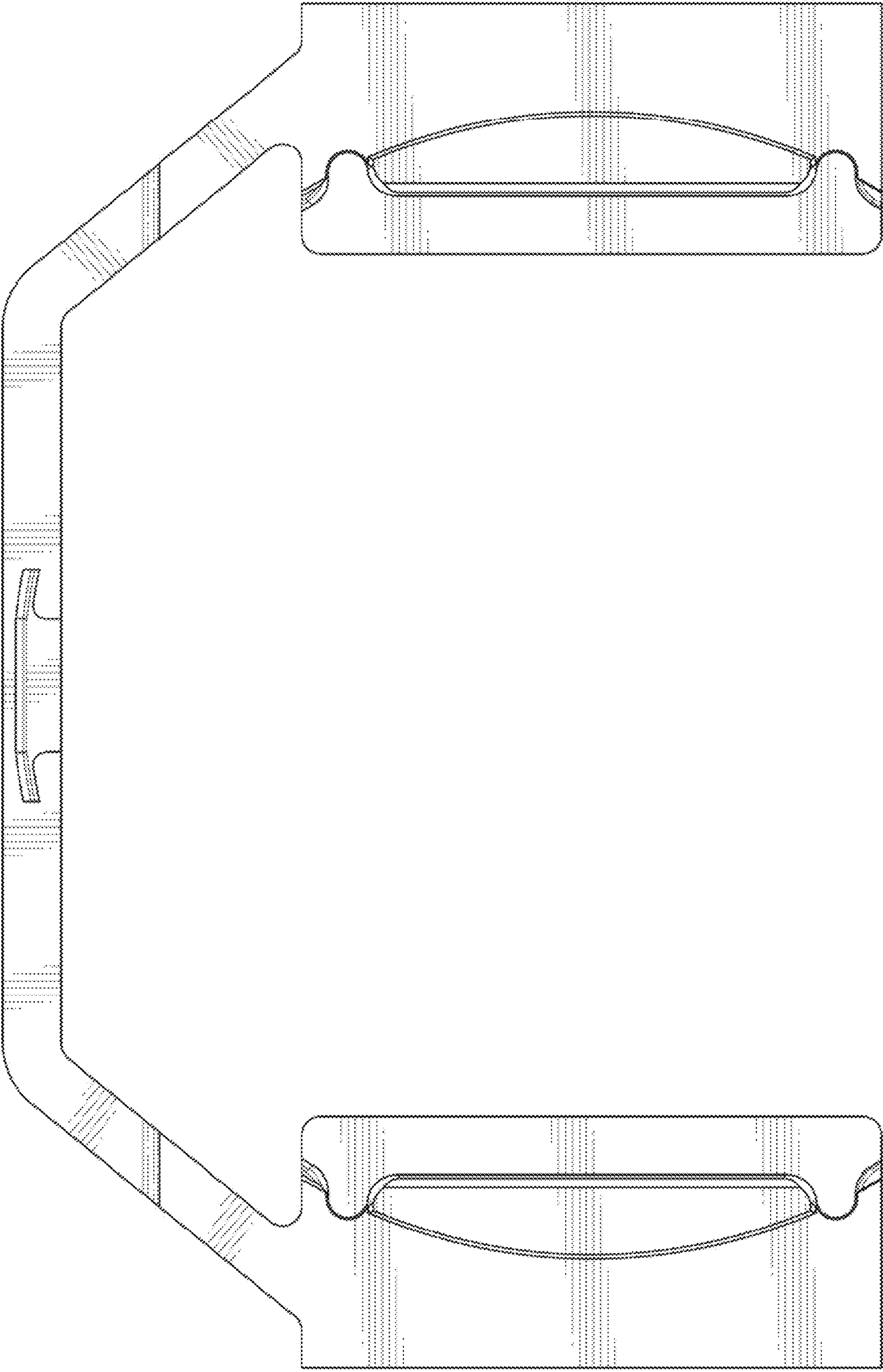


FIG. 6

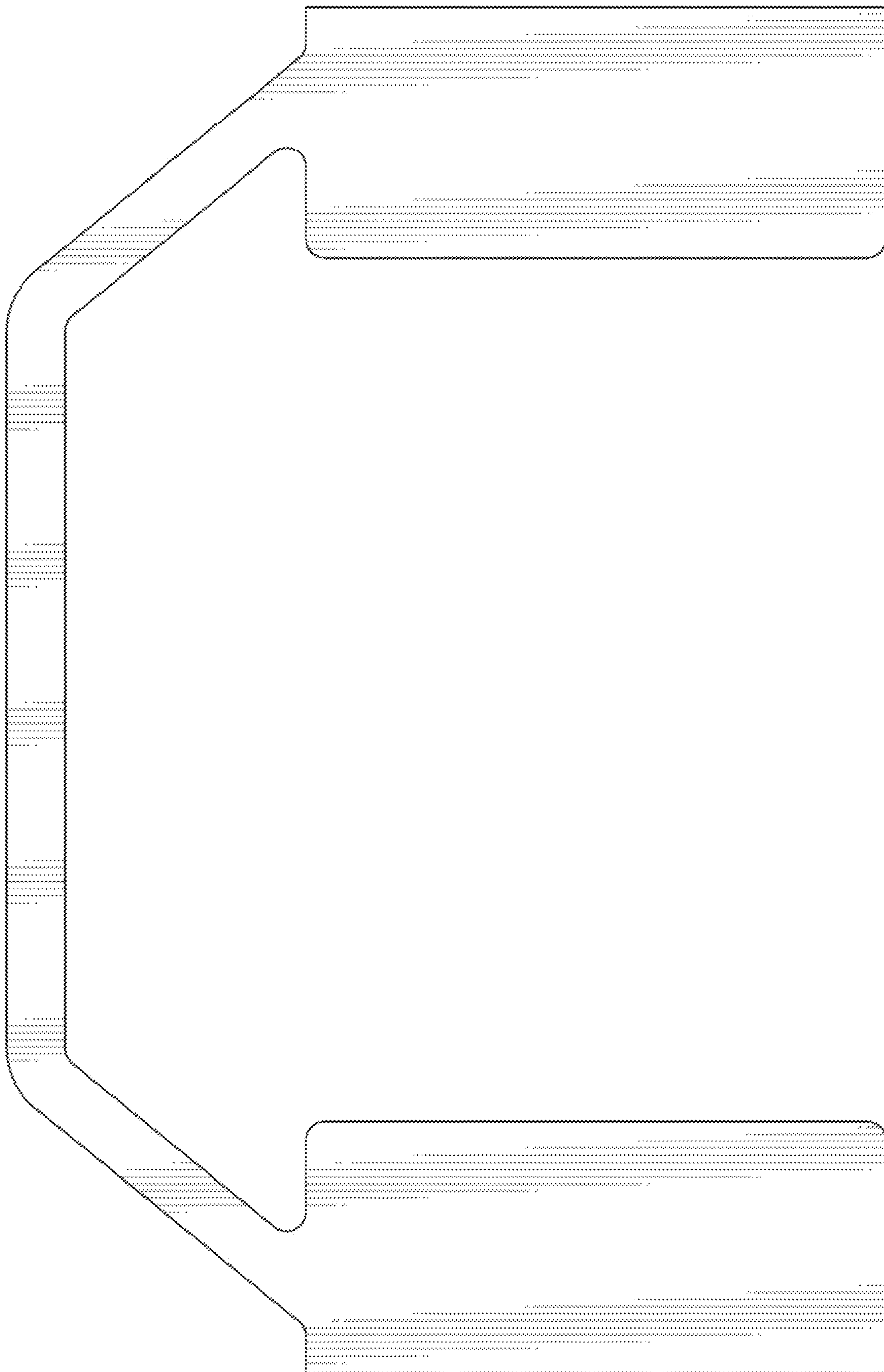


FIG. 7



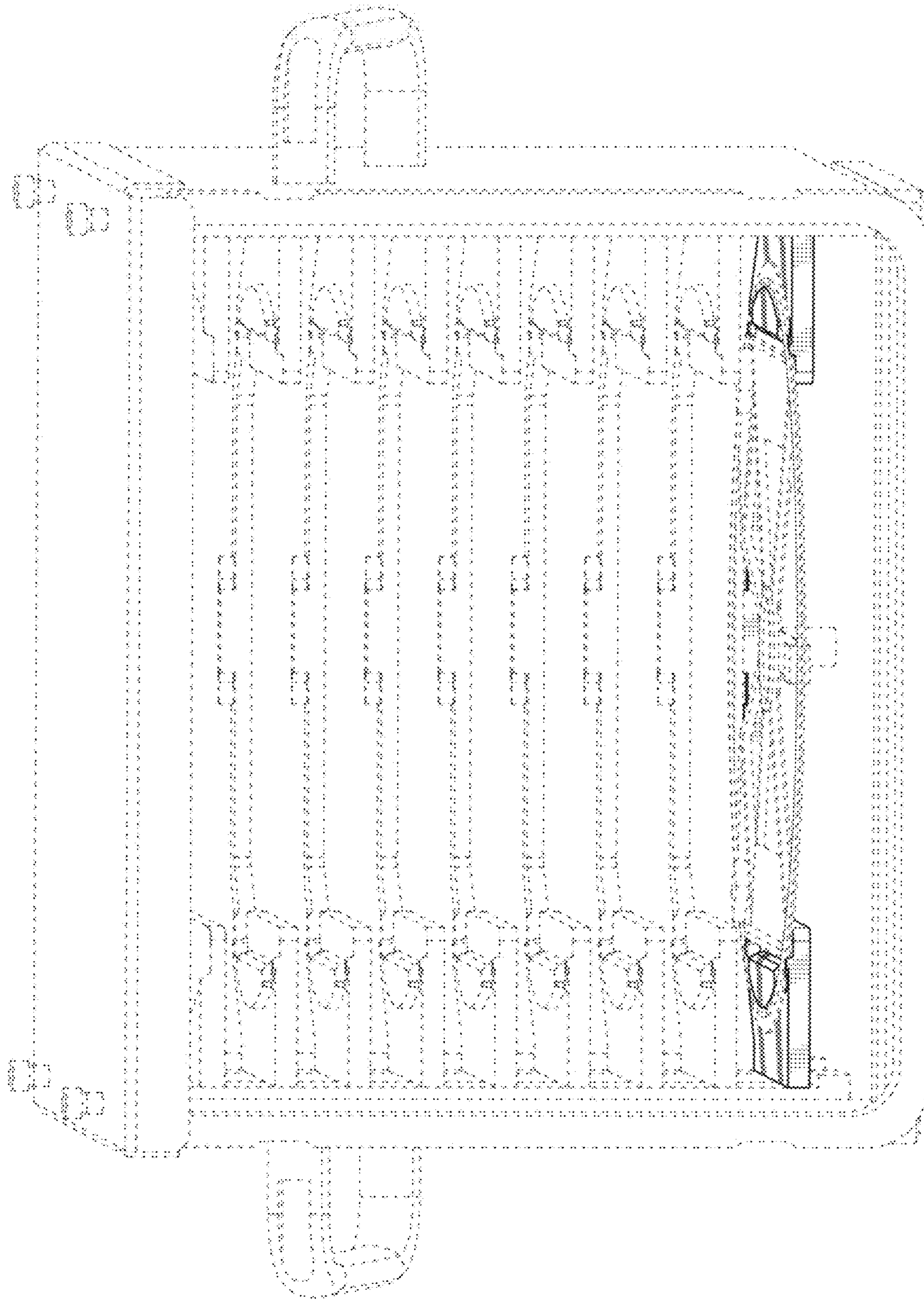


FIG. 8