

US00D954766S

(12) **United States Design Patent**  
**Olegovich**

(10) **Patent No.:** **US D954,766 S**

(45) **Date of Patent:** **\*\* Jun. 14, 2022**

- (54) **TRAY**
- (71) Applicant: **The Brothers Tod**, Lakewood, NJ (US)
- (72) Inventor: **Denis Dolganov Olegovich**, Kyiv (UA)
- (\*\*) Term: **15 Years**
- (21) Appl. No.: **29/783,328**
- (22) Filed: **May 12, 2021**
- (51) **LOC (13) Cl.** ..... **15-07**
- (52) **U.S. Cl.**  
USPC ..... **D15/89**
- (58) **Field of Classification Search**  
USPC ..... D15/79–91  
CPC .. F25D 11/00; F25D 17/065; F25D 2325/022;  
F25D 23/069; F25D 25/025; F25D 11/02;  
F25D 17/062; F25D 21/12; F25D 21/125;  
F25D 21/14; F25D 2317/061; F25D  
2317/067; F25D 2323/021; F25D  
2323/024; F25D 23/028; F25D 23/04;  
F25D 23/066; F25D 23/085; F25D  
23/087; F25D 23/126; F25D 2400/02;  
F25D 2400/06; F25D 2400/361; F25D  
2400/40; F25D 25/005; F25D 25/02;  
F25D 2600/02; F25D 2700/02; F25D  
2700/12; F25D 2700/121; F25D 2700/14;  
F25D 29/00  
See application file for complete search history.

- D281,696 S 12/1985 Barnhart
- D287,856 S 1/1987 Stewart
- 5,044,600 A \* 9/1991 Shannon ..... F25C 1/243  
249/120
- D342,264 S \* 12/1993 Pittman ..... D15/90
- D397,700 S 9/1998 Rodgers
- 6,168,131 B1 \* 1/2001 Tabatabaie ..... F25C 1/24  
D15/90
- D444,480 S 7/2001 Shultz
- D513,019 S 12/2005 Lion
- 7,093,816 B2 8/2006 Lacan
- D586,830 S 2/2009 de Groote
- D616,269 S \* 5/2010 Kulzer ..... D7/701
- D636,412 S \* 4/2011 Misse ..... D15/90
- D654,517 S 2/2012 Merritt
- D697,095 S \* 1/2014 Chan ..... D15/90
- D706,316 S 6/2014 Hoyord

(Continued)

*Primary Examiner* — Khawaja Anwar  
(74) *Attorney, Agent, or Firm* — The Roy Gross Law Firm, LLC; Roy Gross

(57) **CLAIM**

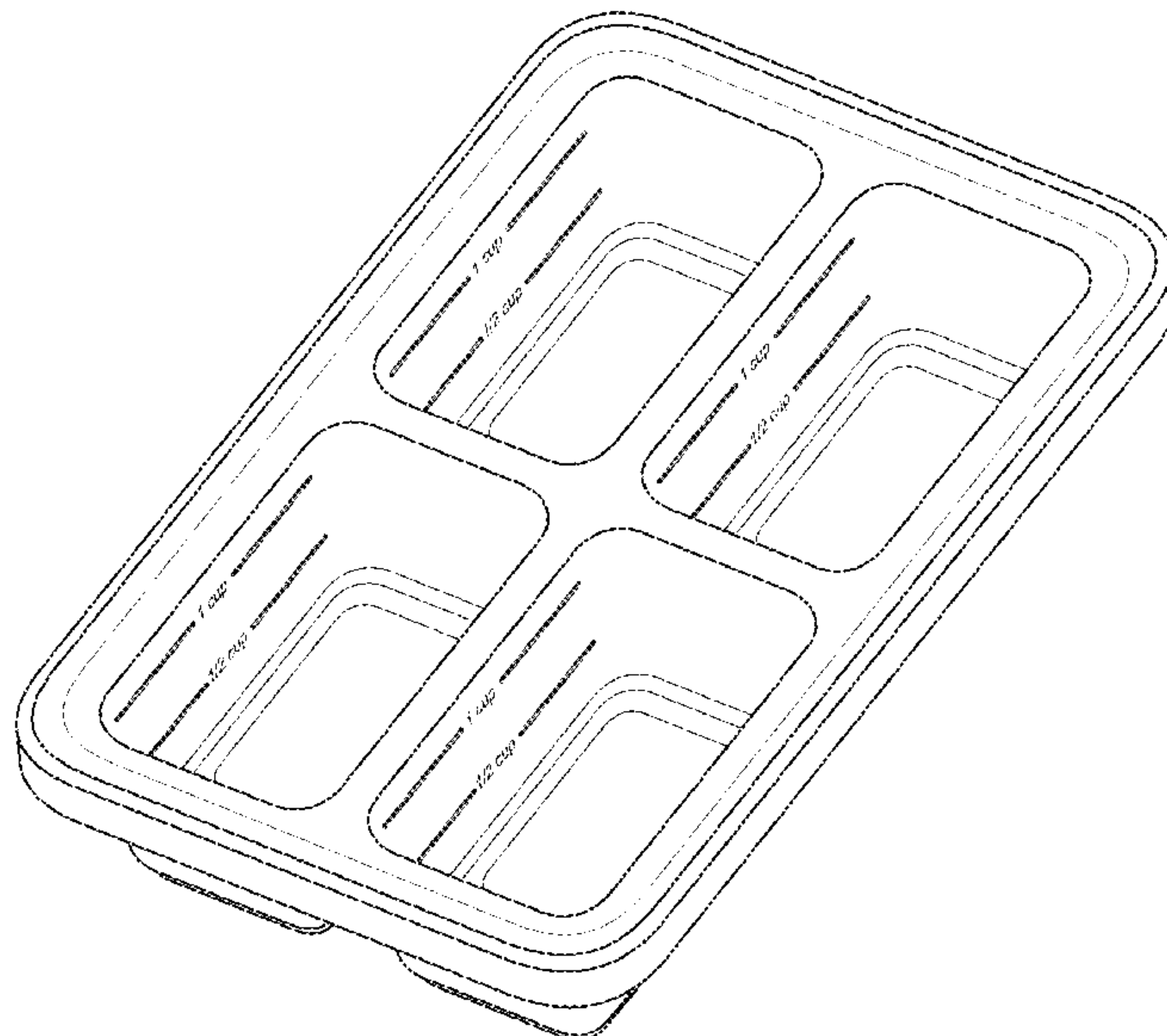
The ornamental design for an tray, as shown and described.

**DESCRIPTION**

FIG. 1 is a front perspective view of an tray in accordance with the new design;  
FIG. 2 is a top view thereof;  
FIG. 3 is a bottom view thereof;  
FIG. 4 is a front view thereof;  
FIG. 5 is a rear view thereof;  
FIG. 6 is a left side view thereof;  
FIG. 7 is a right side view thereof;  
FIG. 8 is a front cross-section view thereof;  
FIG. 9 is a bottom perspective view thereof;  
FIG. 10 is a top perspective view of another embodiment of a tray, showing our new design; and,  
FIG. 11 is a top perspective view of another embodiment of a tray, showing our new design.

**1 Claim, 9 Drawing Sheets**

- (56) **References Cited**  
U.S. PATENT DOCUMENTS  
D152,906 S \* 3/1949 Richards ..... D15/90  
2,514,942 A \* 7/1950 Eaton ..... F25C 1/24  
249/103  
2,955,044 A \* 10/1960 Tupper ..... A23G 9/221  
206/820  
D202,529 S 10/1965 Rosebrook  
D245,985 S 10/1977 Talbert  
4,222,547 A 9/1980 Lalonde



(56)

References Cited

U.S. PATENT DOCUMENTS

D759,735	S	6/2016	Tsai	
D764,552	S	8/2016	Traub	
D787,568	S	5/2017	Davies	
10,154,646	B2 *	12/2018	Clark .....	A01J 19/00
D852,854	S	7/2019	Helton	
D857,766	S	8/2019	Tseng	
D879,163	S	3/2020	Burns	
D880,542	S	4/2020	Burns	
D883,349	S	5/2020	Lopez	
D887,460	S	6/2020	Sendowski	
D905,133	S	12/2020	Sendowski	
D906,379	S	12/2020	Sendowski	
D910,090	S	2/2021	Chen	
D914,067	S	3/2021	Wu	
D915,475	S	4/2021	Wu	
D916,146	S *	4/2021	Wu .....	D15/90
D918,970	S	5/2021	Zhai	
D933,112	S *	10/2021	Sun .....	D15/136
D940,764	S *	1/2022	Sun .....	D15/136
2012/0055188	A1 *	3/2012	Levie .....	F25C 1/24 249/70

\* cited by examiner

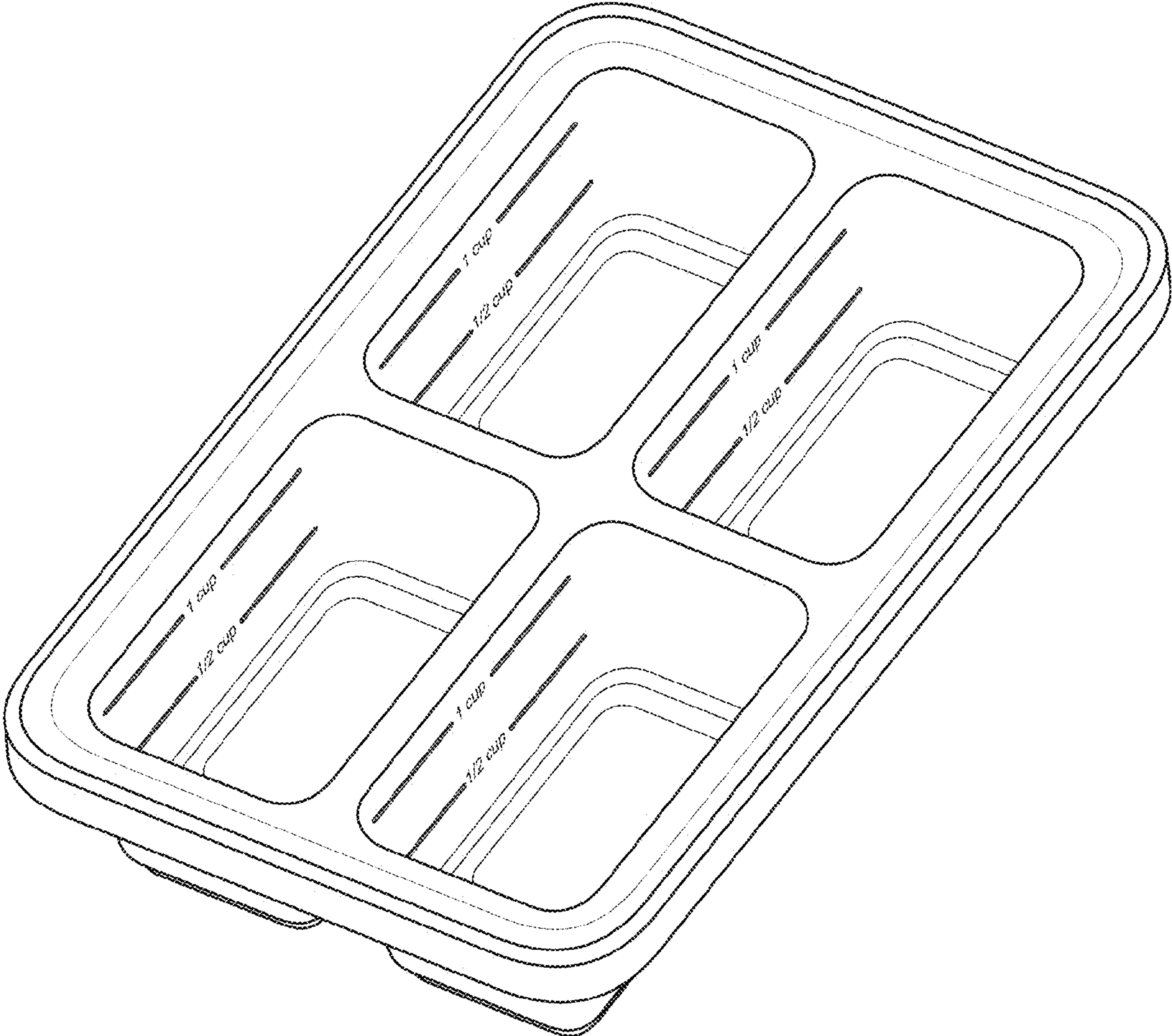


FIG. 1



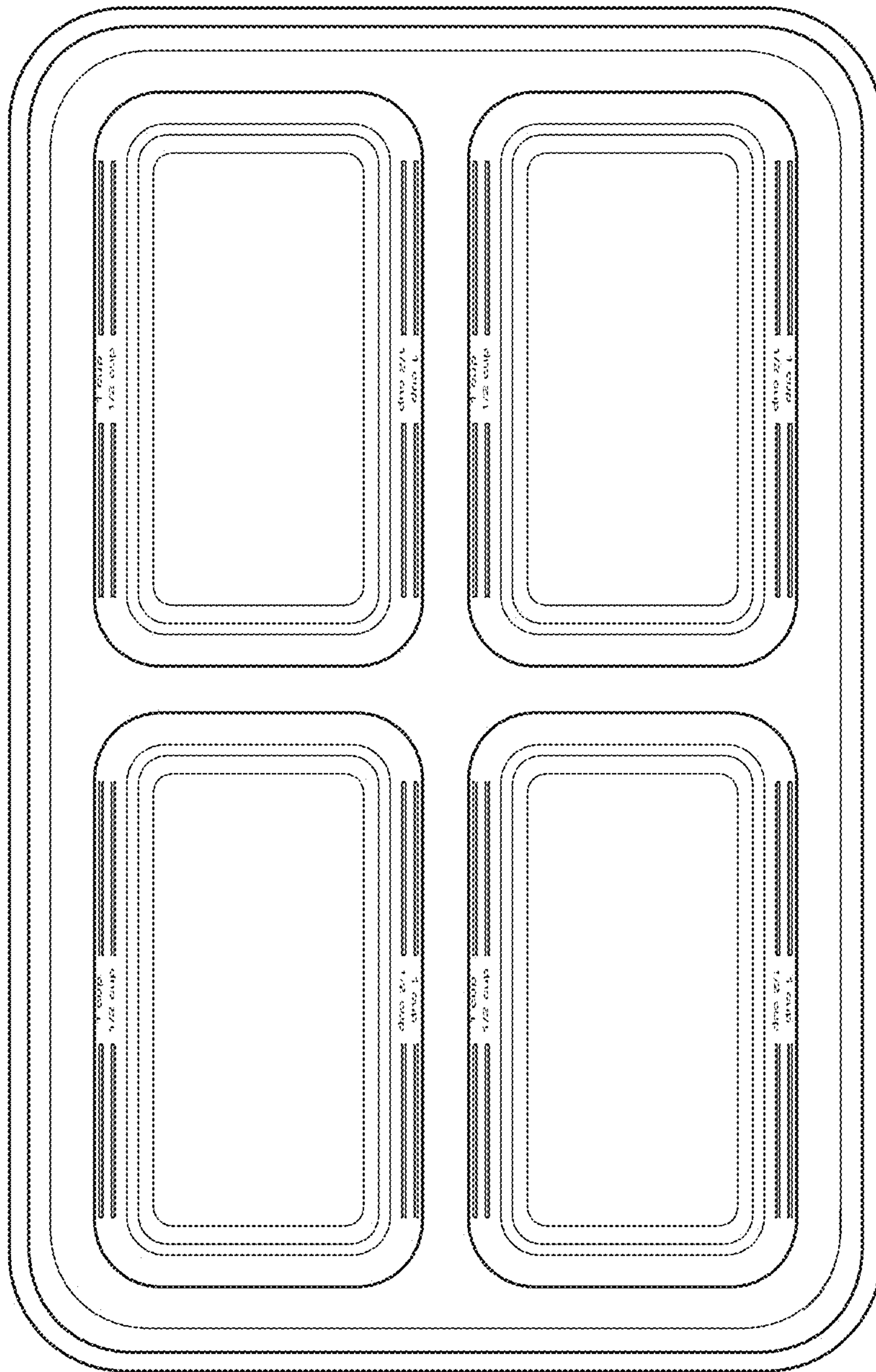


FIG. 2

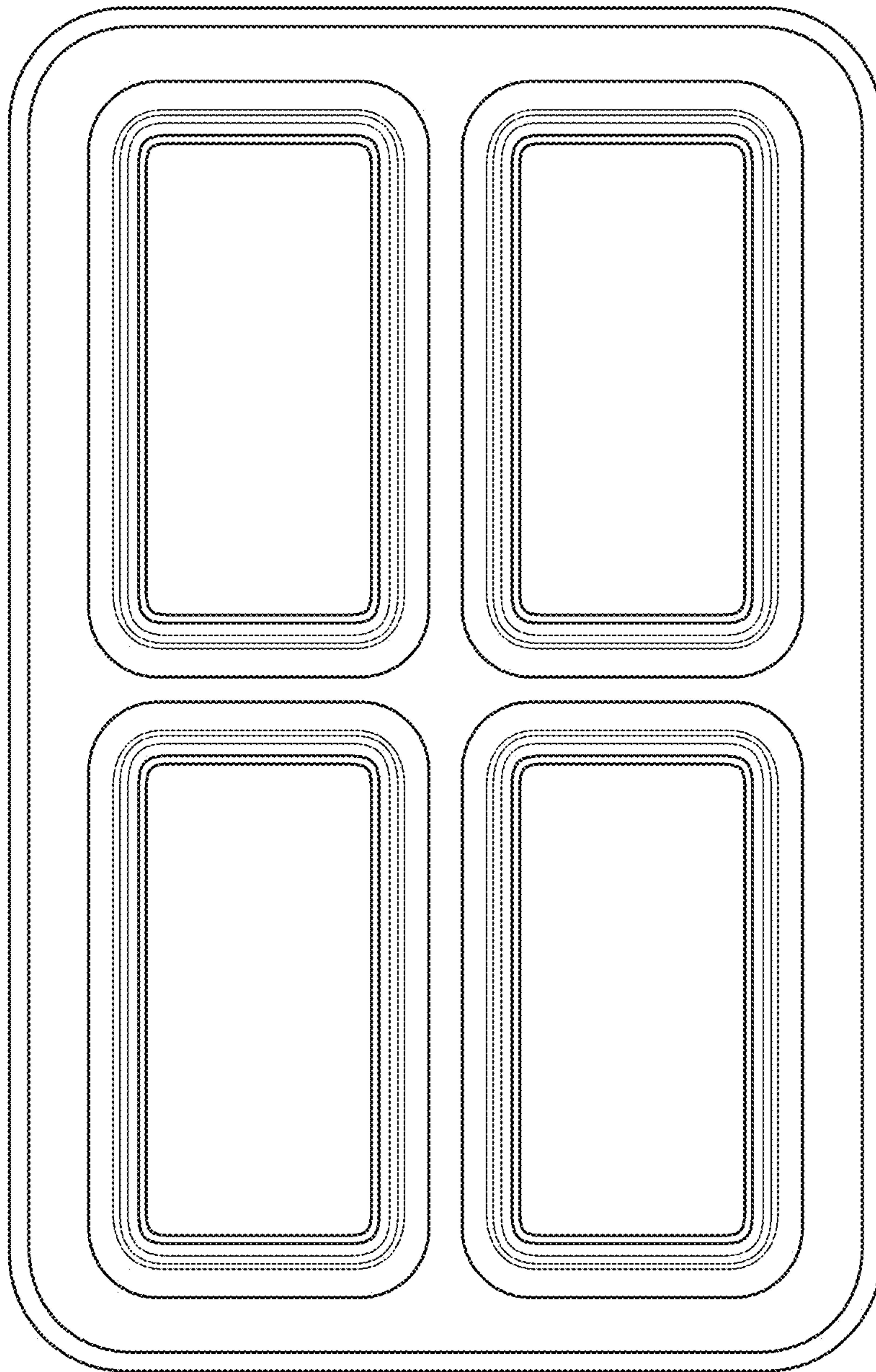


FIG. 3

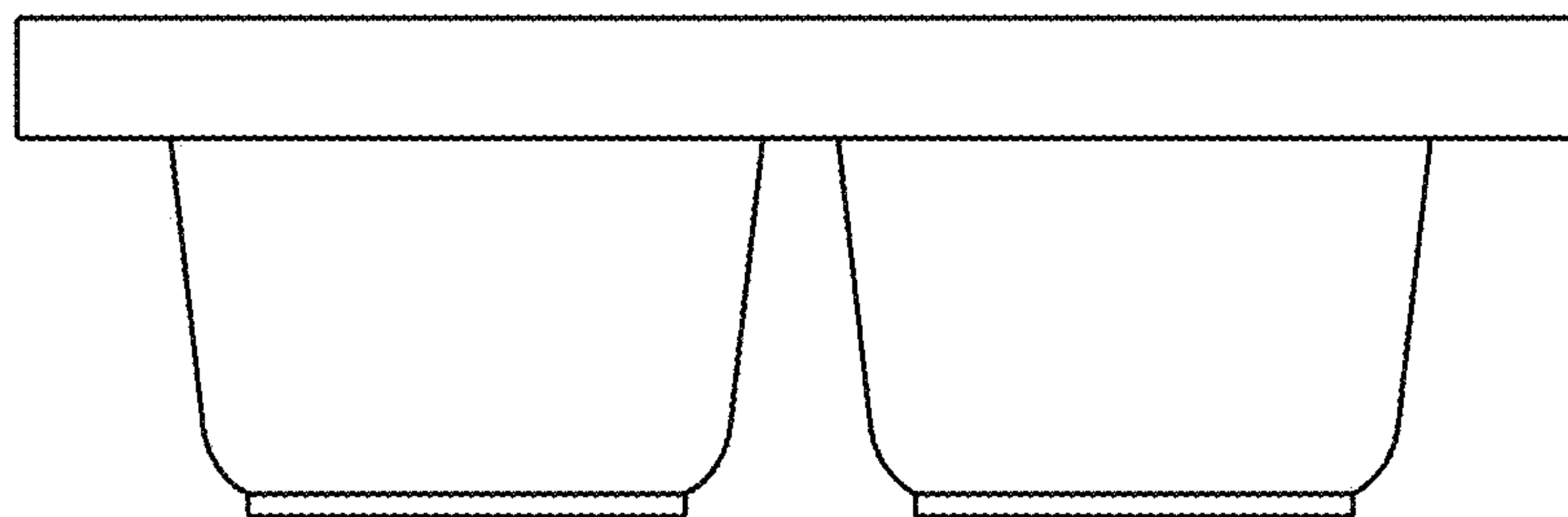


FIG. 4

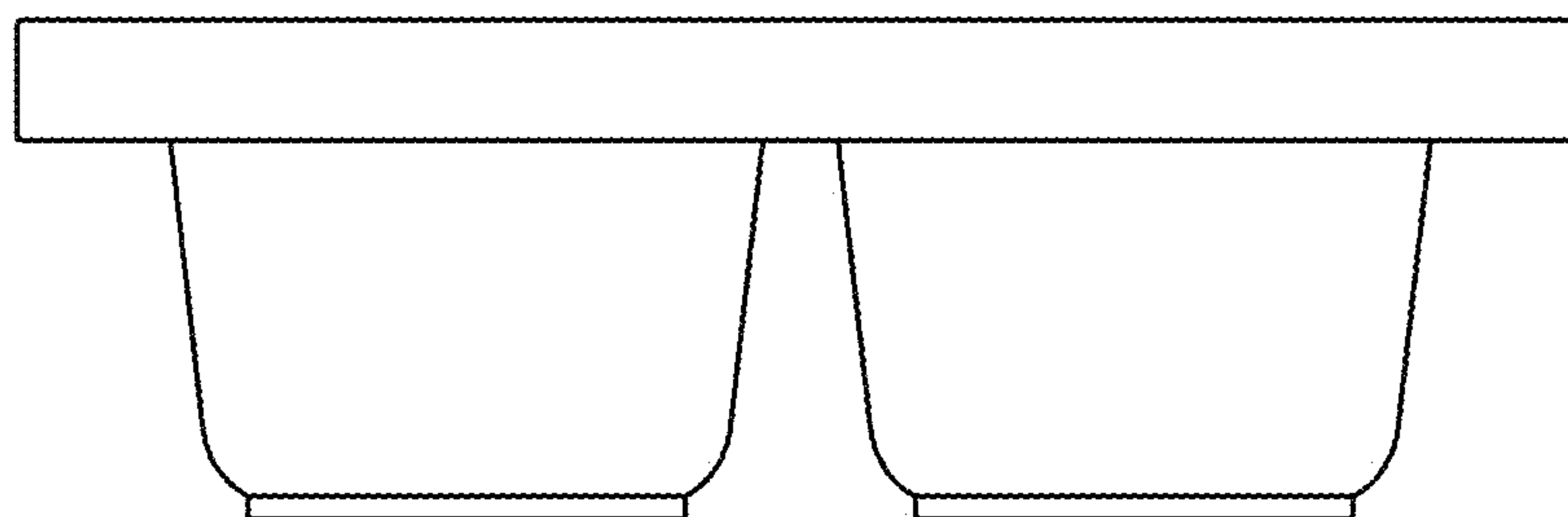


FIG. 5

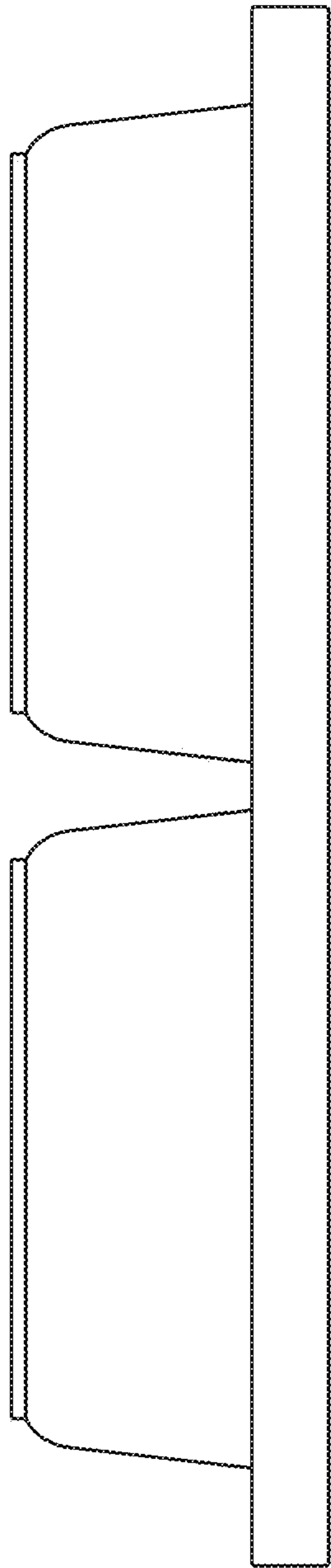


FIG. 6

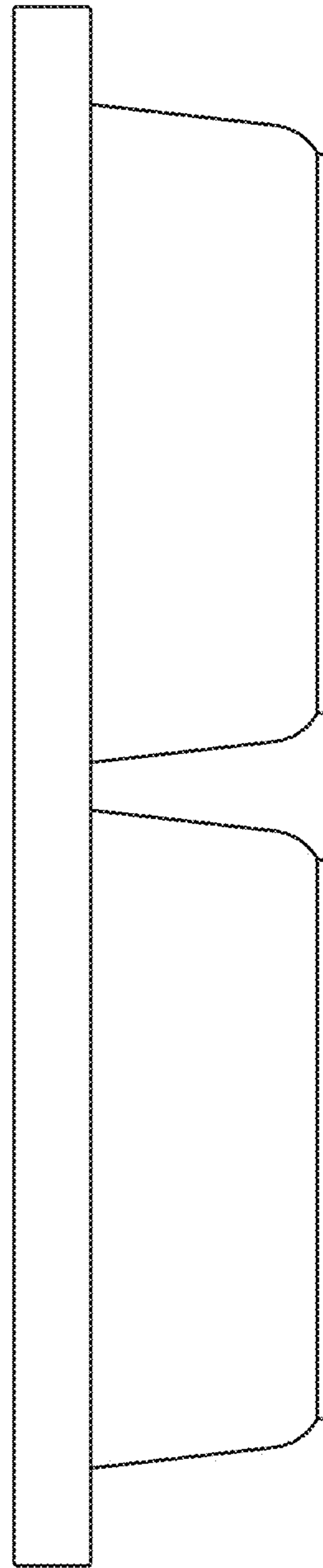


FIG. 7

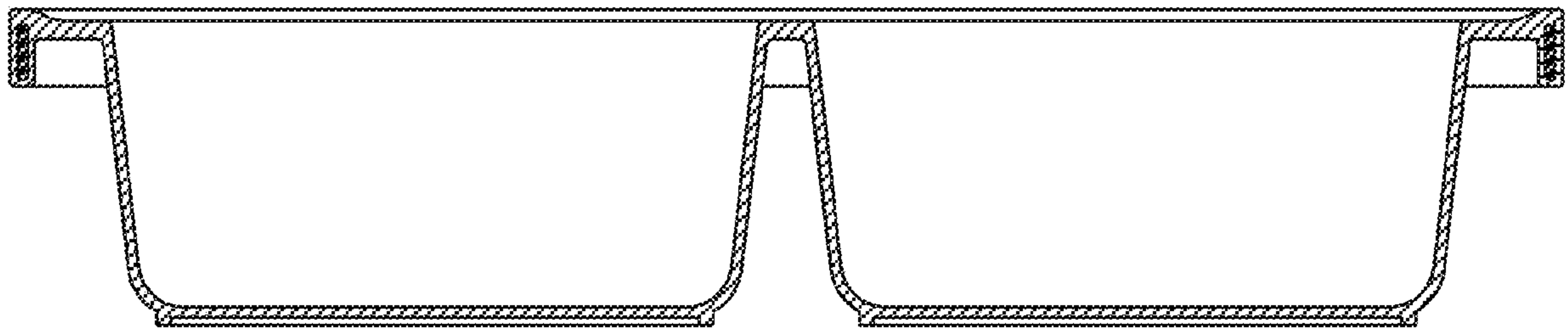


FIG. 8



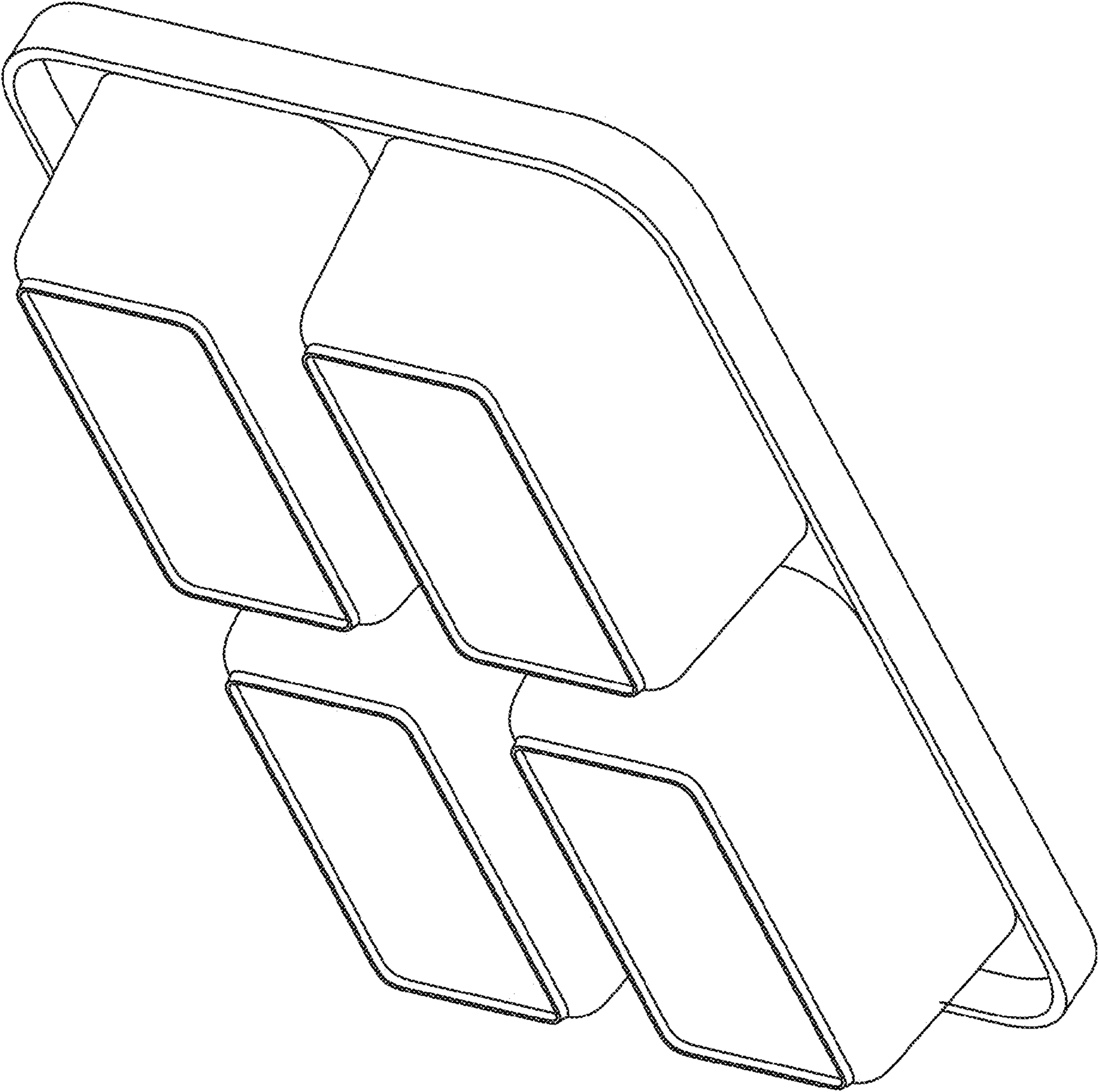


FIG. 9

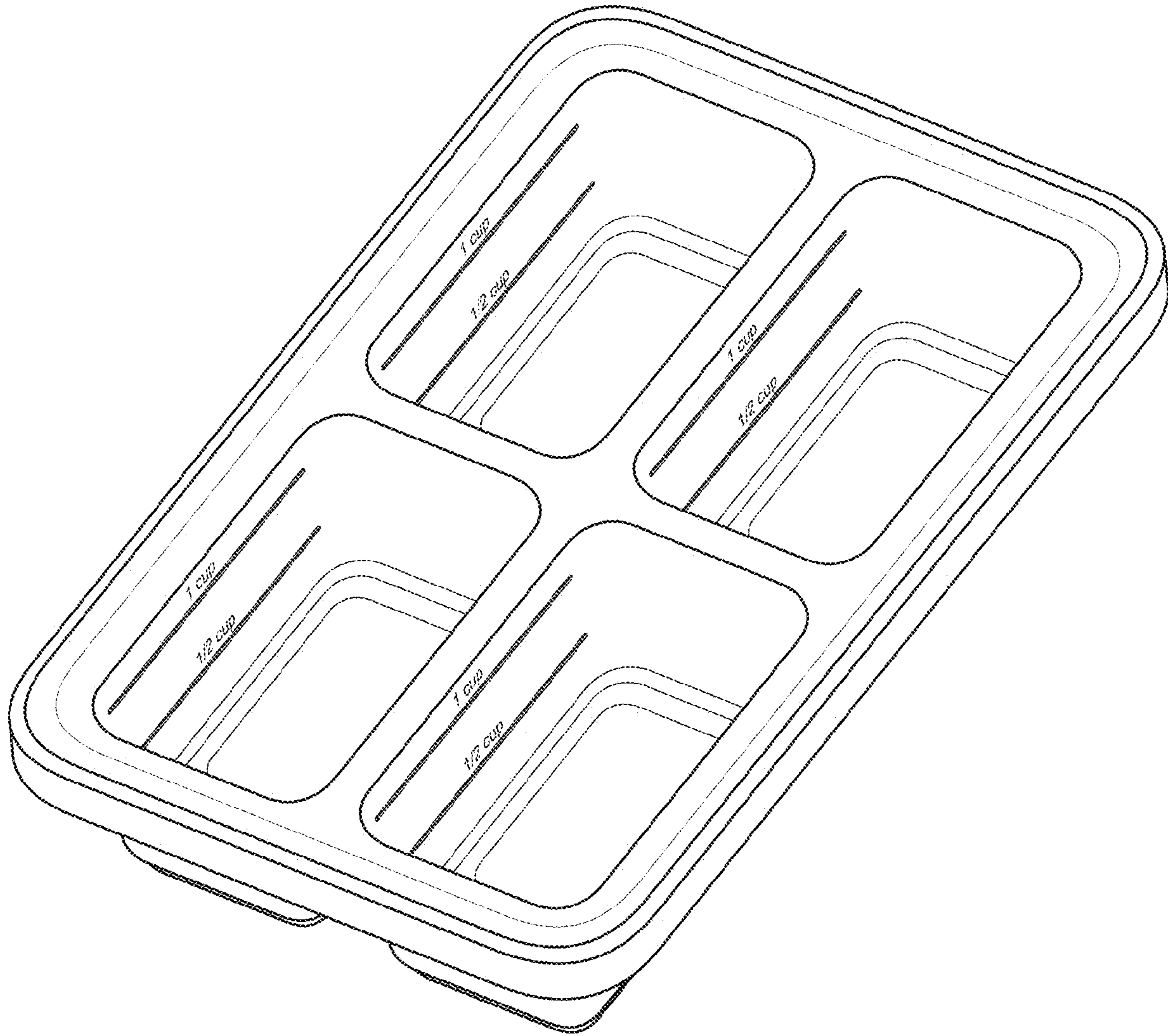


FIG. 10



FIG. 11