



US00D954765S

(12) **United States Design Patent**
Lee et al.

(10) **Patent No.:** **US D954,765 S**
(45) **Date of Patent:** **** Jun. 14, 2022**

(54) **STORAGE CONTAINER FOR REFRIGERATOR**

(71) Applicant: **Samsung Electronics Co., Ltd.**,
Gyeonggi-do (KR)
(72) Inventors: **Hyunil Lee**, Gyeonggi-do (KR);
Suyeon Park, Gyeonggi-do (KR);
Jungeun Park, Gyeonggi-do (KR);
Jaemin Lee, Gyeonggi-do (KR);
Seokwoo Kim, Gyeonggi-do (KR);
Junguk Shin, Gyeonggi-do (KR)

(73) Assignee: **SAMSUNG ELECTRONICS CO., LTD.**, Gyeonggi-Do (KR)

(**) Term: **15 Years**

(21) Appl. No.: **29/745,876**

(22) Filed: **Aug. 10, 2020**

(30) **Foreign Application Priority Data**

Apr. 17, 2020 (KR) 30-2020-0017160

(51) **LOC (13) Cl.** **15-07**

(52) **U.S. Cl.**
USPC **D15/89**

(58) **Field of Classification Search**
USPC D15/79-91; D6/660, 661, 672, 675.1,
D6/679, 703, 705, 705.1, 705.4; D3/273,
D3/294, 295, 296, 304, 901, 903;
D34/12, 19
CPC F25D 2323/021; F25D 2323/024; F25D
29/00; F25D 27/005; F25D 29/005; F25D
17/042; F25D 2325/02; F25D 11/00;
F25D 11/02; F25D 11/025; F25D 23/00;
F25D 23/02; F25D 23/04; F25D 23/12;
F25D 23/028; F25D 25/02; F25D 25/021;
F25D 25/022; F25D 25/024; F25D
25/025

See application file for complete search history.

(56) **References Cited**

U.S. PATENT DOCUMENTS

3,172,714 A * 3/1965 Kesling F25D 25/025
D15/86
D677,289 S * 3/2013 Seo D15/90
D730,954 S * 6/2015 Choi D15/89

(Continued)

FOREIGN PATENT DOCUMENTS

CN 304073601 S 3/2017
EM 003584200-0001 1/2017

(Continued)

Primary Examiner — Calvin E Vansant

Assistant Examiner — Mark T. Philipps

(74) *Attorney, Agent, or Firm* — Cantor Colburn LLP

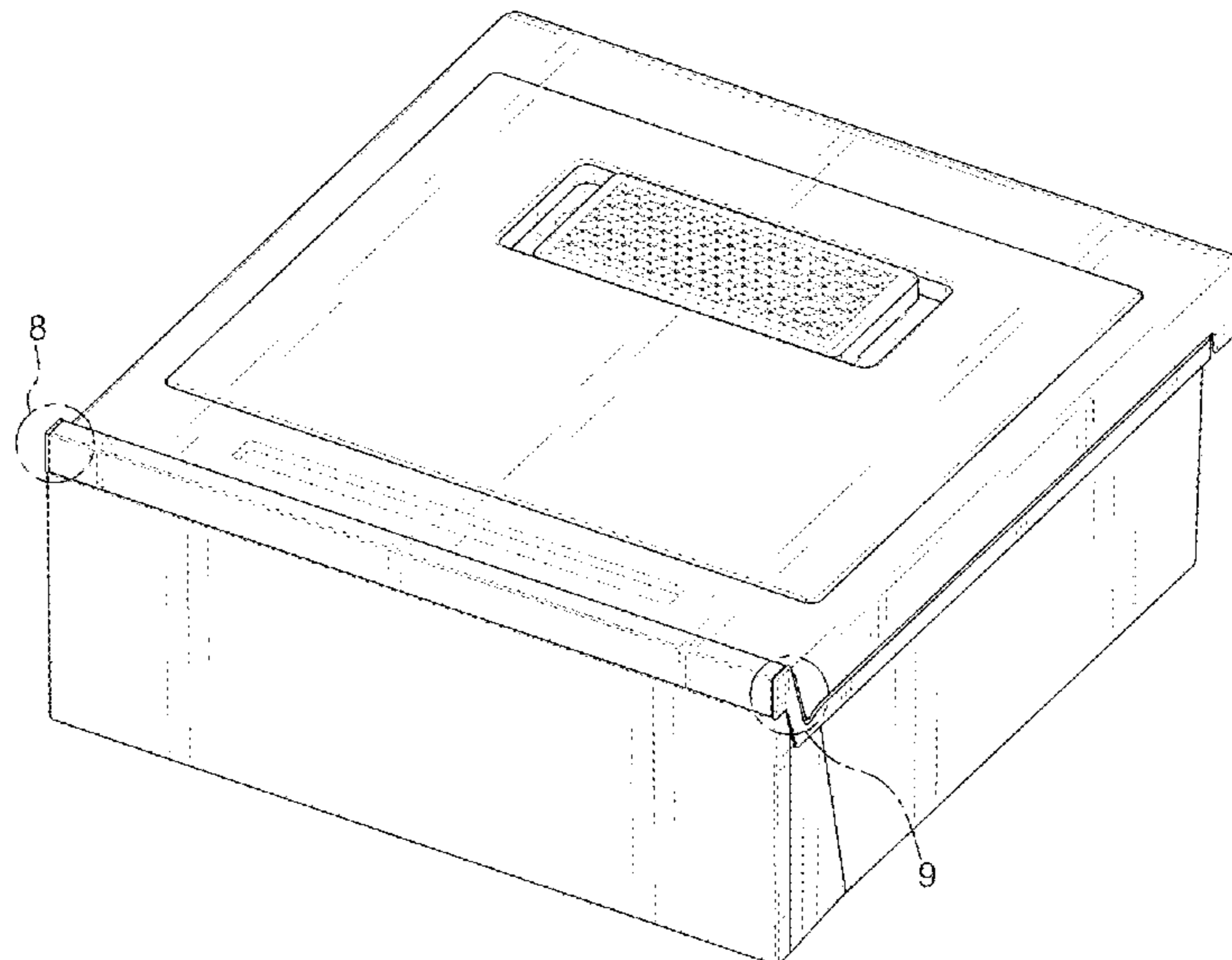
(57) **CLAIM**

The ornamental design for a storage container for refrigerator, as shown and described.

DESCRIPTION

FIG. 1 is a perspective view of a storage container for refrigerator, showing our new design;
FIG. 2 is a front view thereof;
FIG. 3 is a rear view thereof;
FIG. 4 is a left side view thereof;
FIG. 5 is a right side view thereof;
FIG. 6 is a top view thereof;
FIG. 7 is a bottom view thereof;
FIG. 8 is an enlarged view of encircled portion 8 in FIG. 1; and,
FIG. 9 is an enlarged view of encircled portion 9 in FIG. 1. The broken lines illustrating portions of the storage container for refrigerator form no part of the claimed design. The dot-dash broken lines encircling enlargement portions of the design form no part of the claimed design.

1 Claim, 9 Drawing Sheets



(56)

References Cited

U.S. PATENT DOCUMENTS

D759,734 S * 6/2016 Lee D15/89
D790,609 S * 6/2017 Kim D15/89
D876,498 S * 2/2020 Kim F25D 11/00
D15/89
D944,872 S * 3/2022 Di-Rosa D15/89
2013/0081421 A1 * 4/2013 Kwon F25D 25/02
62/440
2013/0270986 A1 * 10/2013 Min F25D 25/025
220/361
2019/0170432 A1 * 6/2019 Signorino F25D 27/005
2019/0293342 A1 * 9/2019 Butenhoff B65D 81/24

FOREIGN PATENT DOCUMENTS

EM 003584200-0002 1/2017
KR 30-0855721 5/2016
KR 30-0960720 6/2018

* cited by examiner

FIG. 1

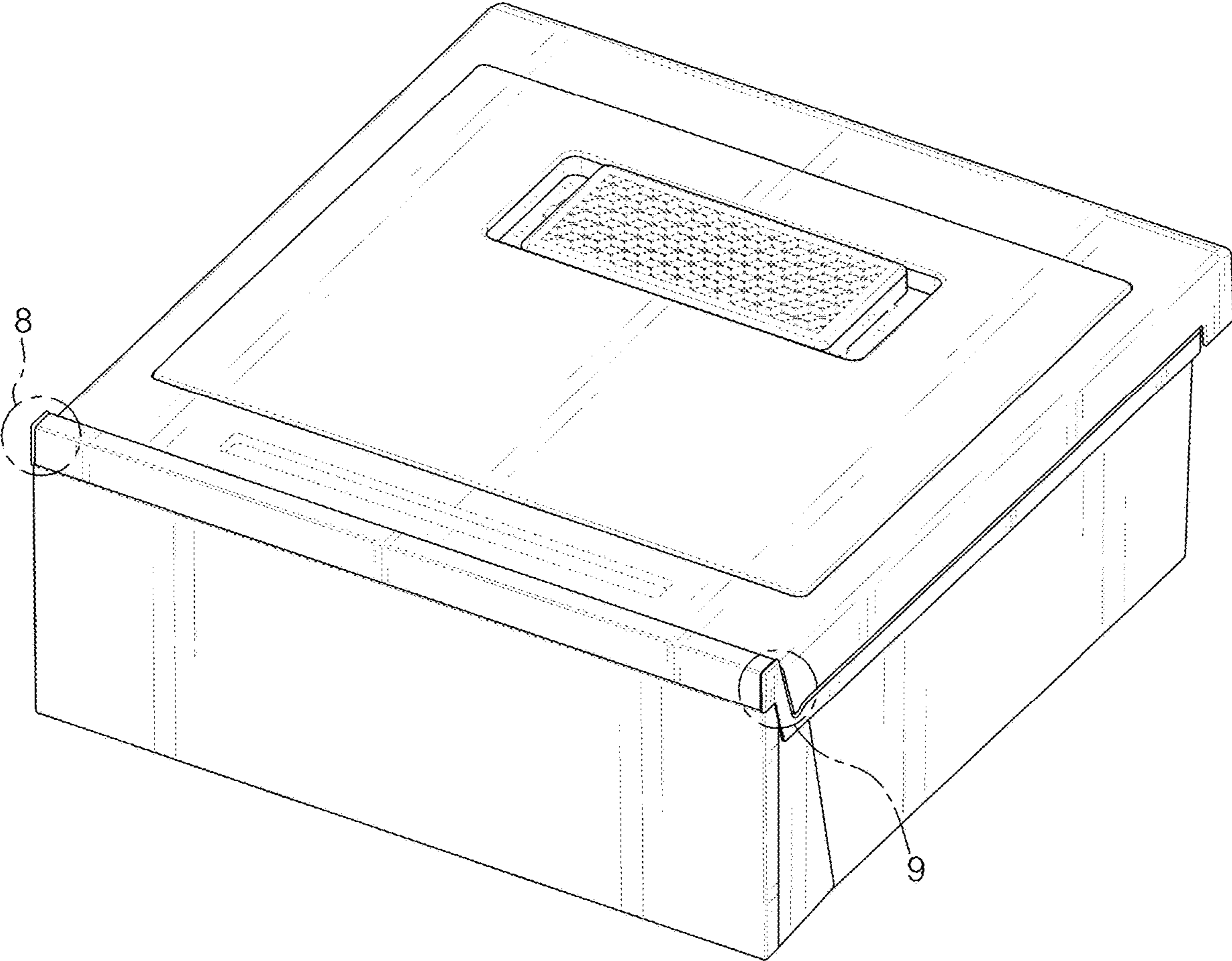


FIG. 2

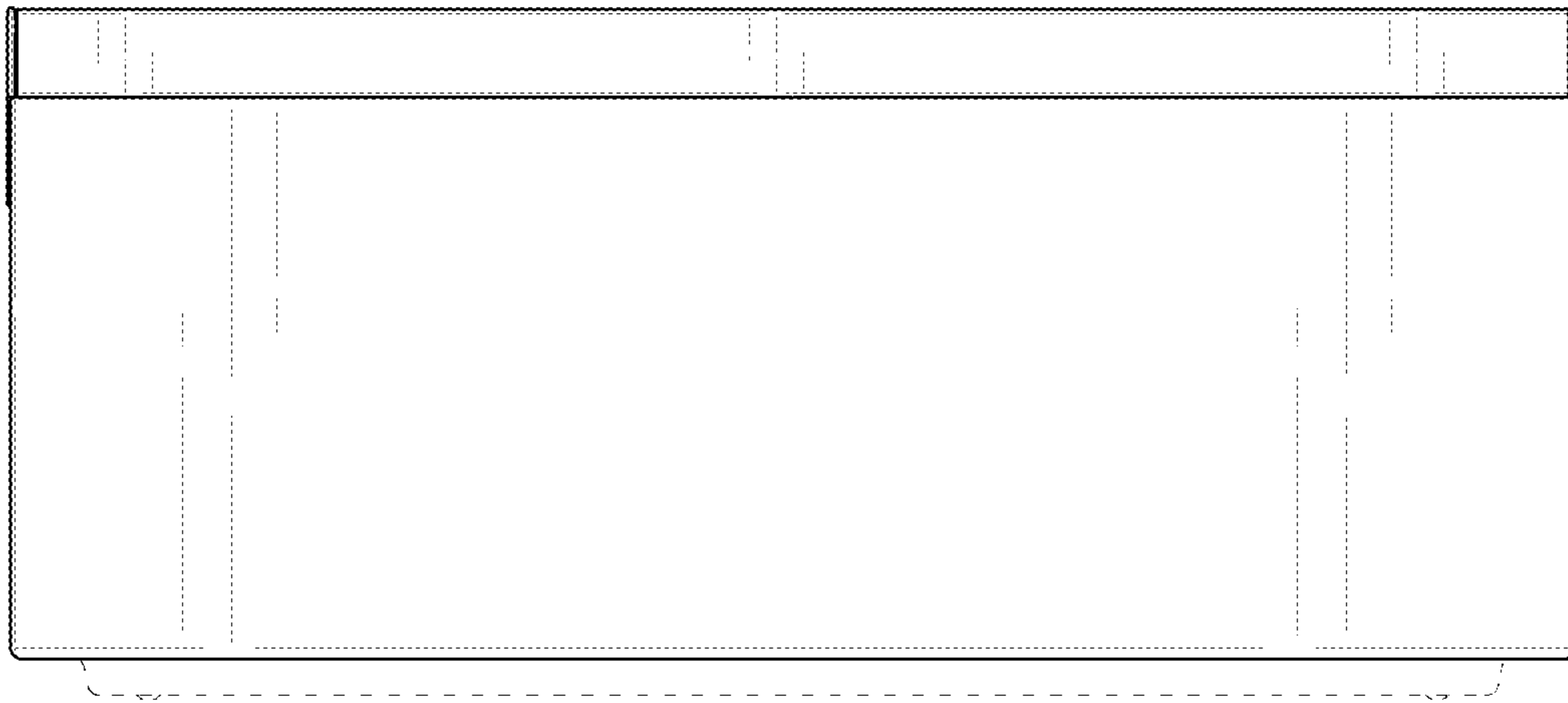


FIG. 3

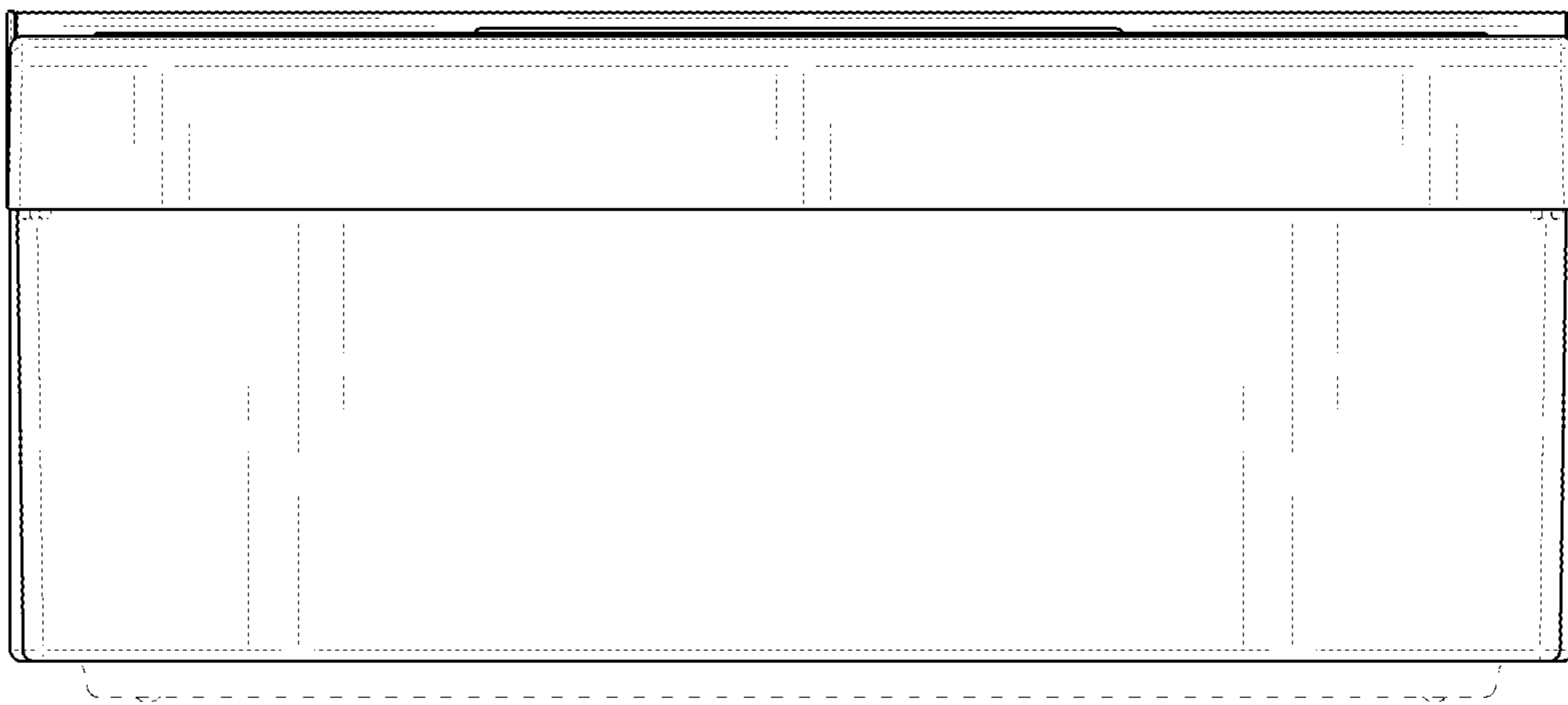


FIG. 4

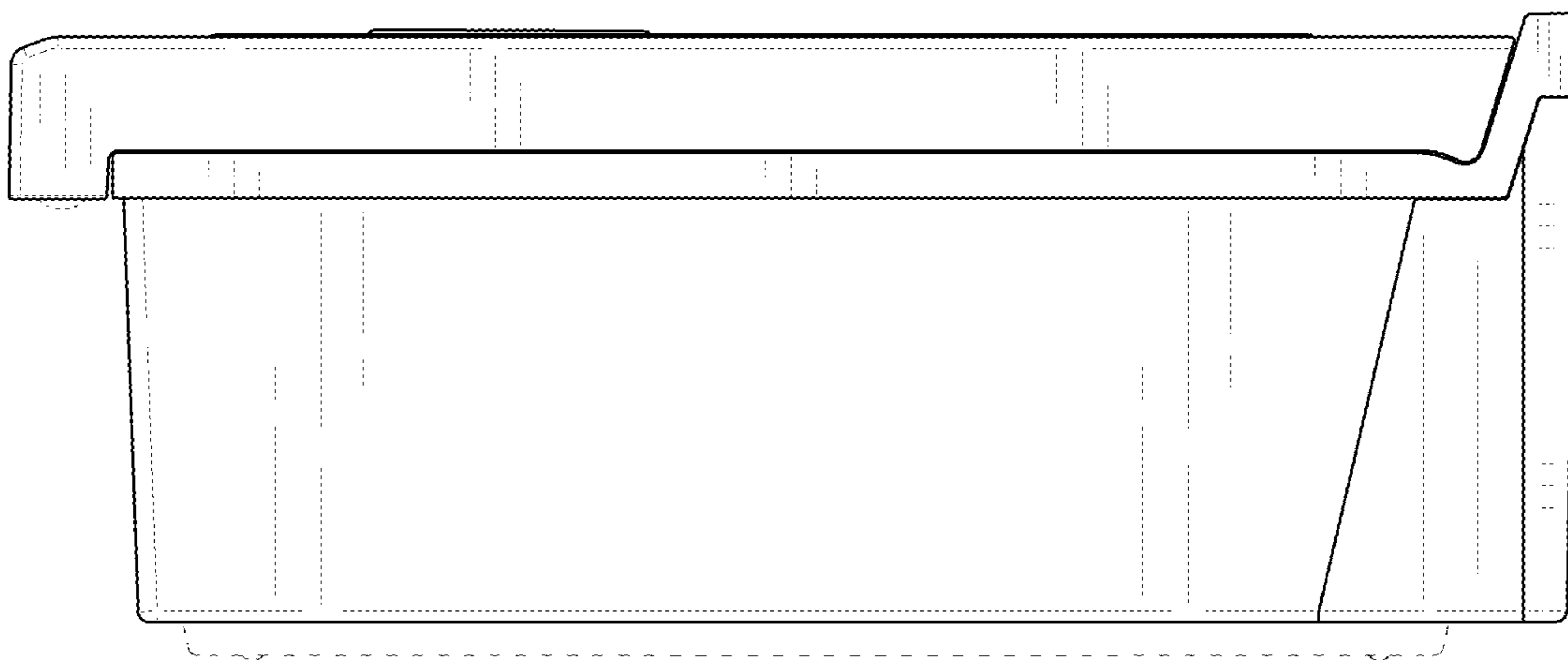


FIG. 5

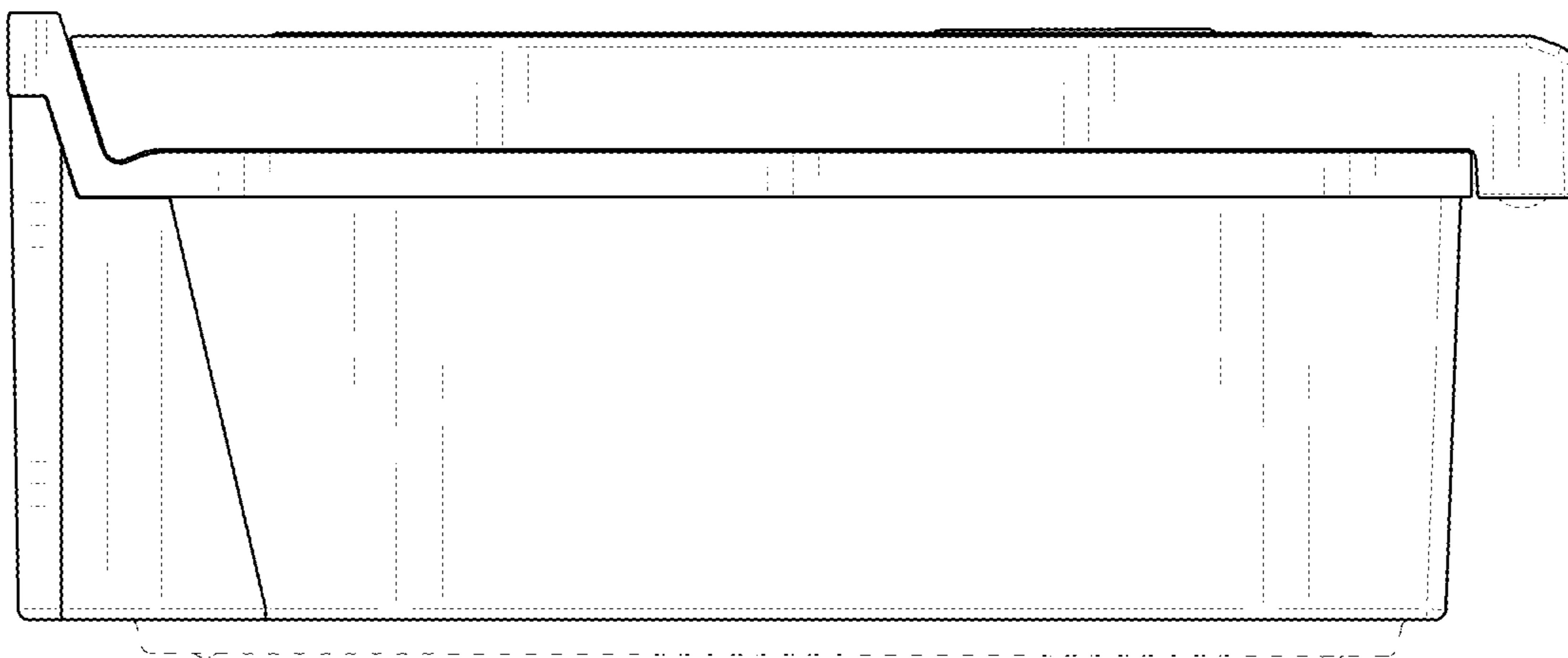


FIG. 6

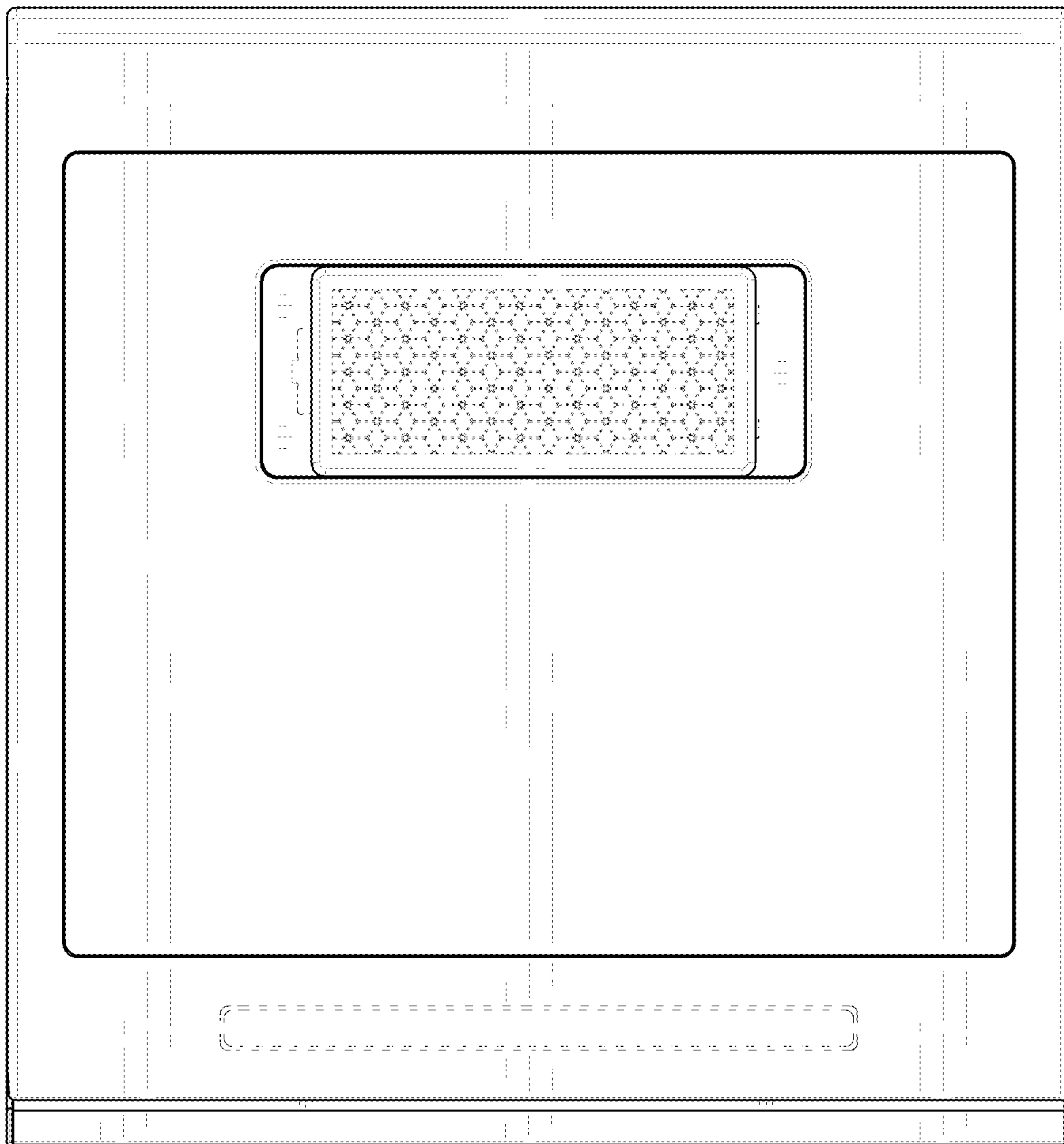


FIG. 7

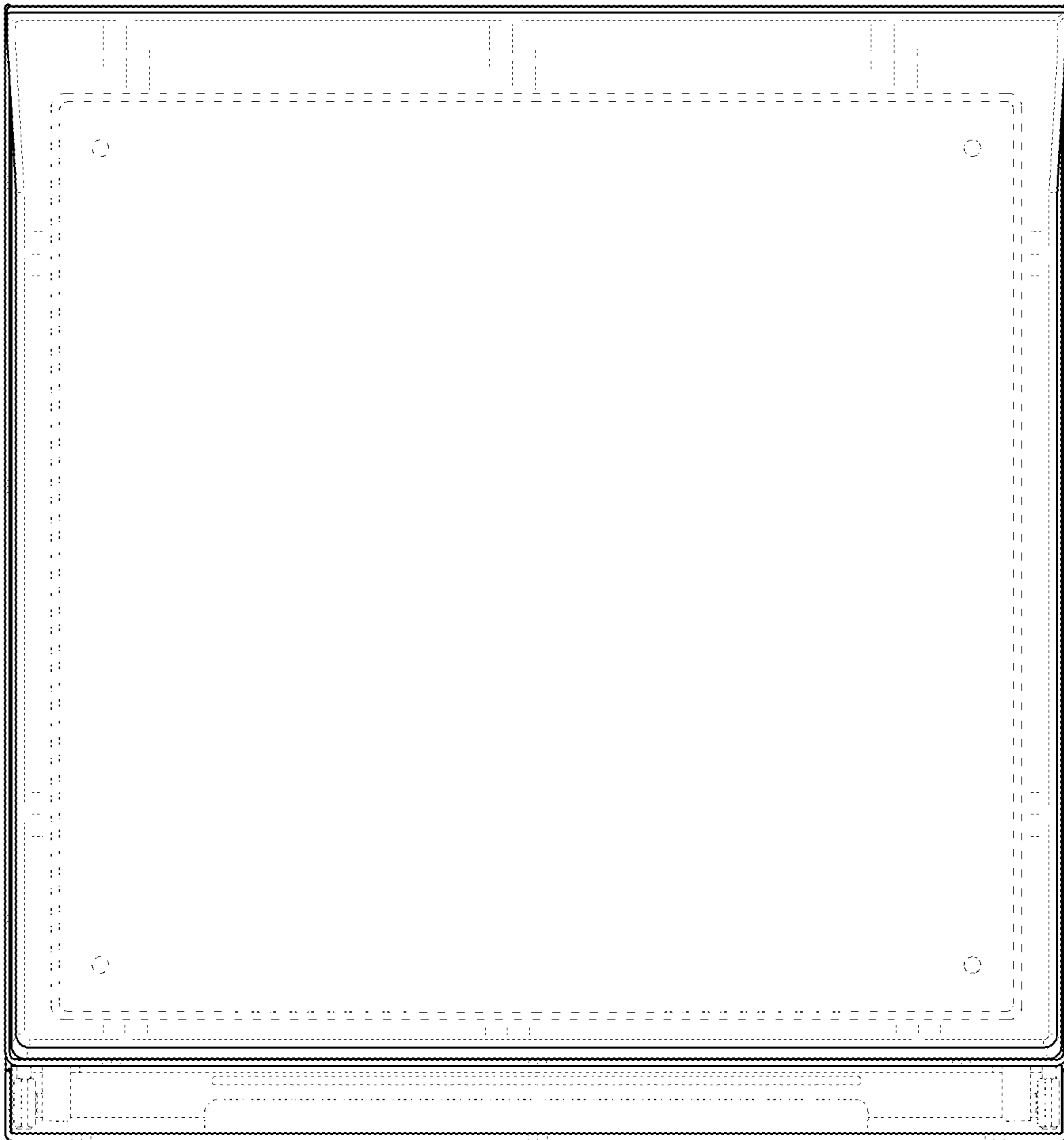


FIG. 8

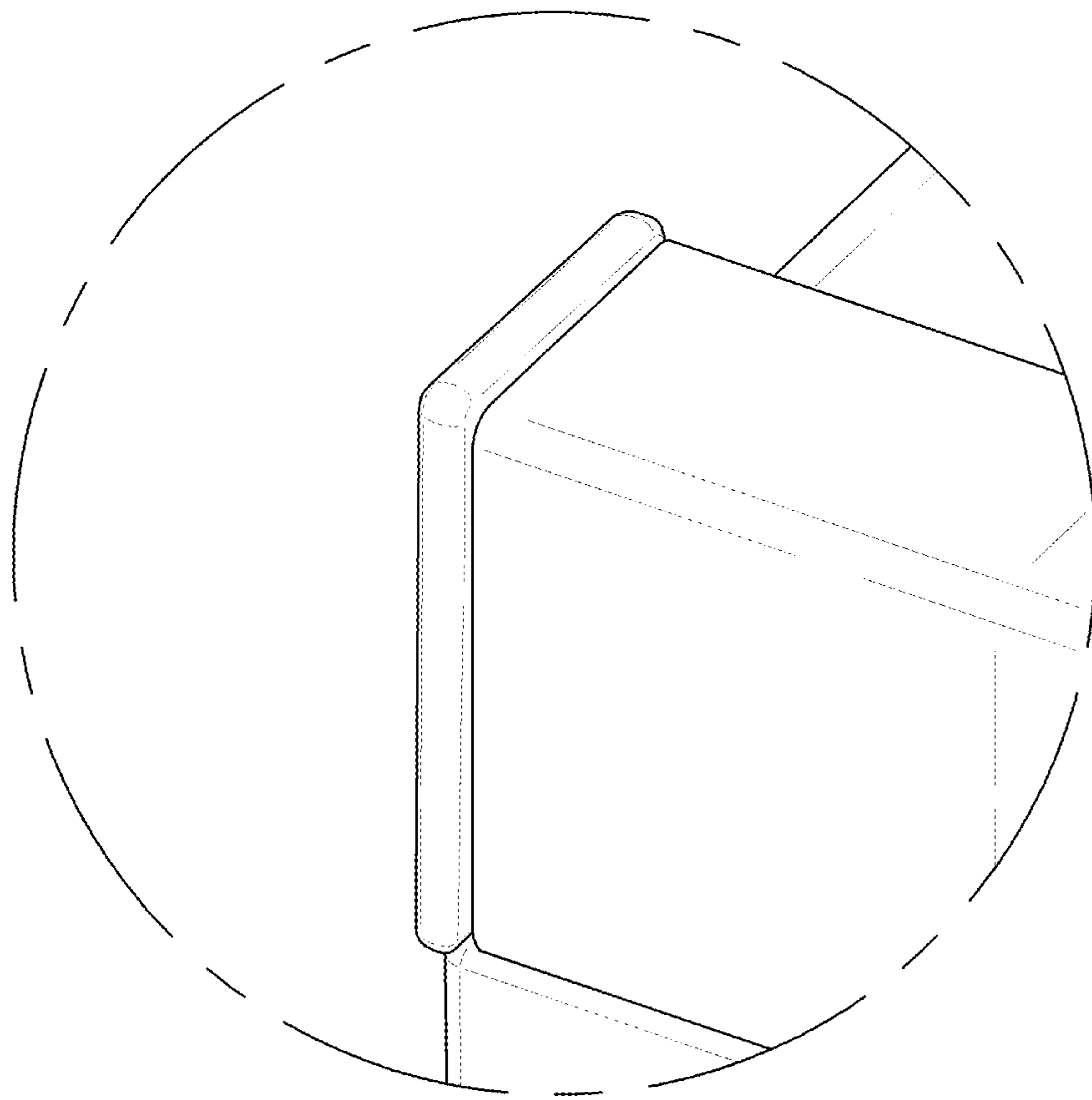


FIG. 9

