



US00D954763S

(12) **United States Design Patent** (10) **Patent No.:** **US D954,763 S**
Nye (45) **Date of Patent:** **** Jun. 14, 2022**

(54) **GRAPPLE SHEAR ATTACHMENT**
(71) Applicant: **Nye Manufacturing Ltd.**, Mississauga (CA)
(72) Inventor: **Mark Nye**, Mississauga (CA)
(73) Assignee: **Nye Manufacturing Ltd.**, Mississauga (CA)
(**) Term: **15 Years**
(21) Appl. No.: **29/721,965**
(22) Filed: **Jan. 24, 2020**
(51) **LOC (13) Cl.** **15-03**
(52) **U.S. Cl.**
USPC **D15/32**
(58) **Field of Classification Search**
USPC D15/28, 32; D34/28, 33, 34, 35
CPC .. B66C 3/14; B66C 3/005; B66C 3/04; B66C 3/16; B66C 1/585; A01G 23/065; A01G 23/02; A01G 23/04; A01G 23/06; A01G 23/062; A01G 23/08
See application file for complete search history.

(56) **References Cited**
U.S. PATENT DOCUMENTS
D306,599 S * 3/1990 Hunter D15/32
5,301,882 A * 4/1994 Morikawa E04G 23/082
241/101.73
5,743,476 A * 4/1998 Morikawa E04G 23/08
241/101.73
6,131,978 A * 10/2000 Rounds B66C 1/585
294/902
D442,757 S * 5/2001 Loflin, Sr. D15/32
D496,945 S * 10/2004 Daniel D15/32
7,207,610 B1 * 4/2007 Kauppila B66C 1/585
294/198
D645,062 S * 9/2011 LaValley D15/28
D672,369 S * 12/2012 Seeker D15/28

8,464,972 B2 * 6/2013 Nye E04G 23/082
241/266
D685,974 S * 7/2013 Price D34/28
D704,752 S * 5/2014 Seeker D15/28
D740,861 S * 10/2015 Aerts D15/28
D779,564 S * 2/2017 Jensen D15/28
D779,565 S * 2/2017 Jensen D15/28
9,815,128 B1 * 11/2017 Jensen B25J 15/0033

(Continued)

Primary Examiner — Mark A Goodwin
(74) *Attorney, Agent, or Firm* — Bereskin & Parr LLP/S.E.N.C.R.L., s.r.l.

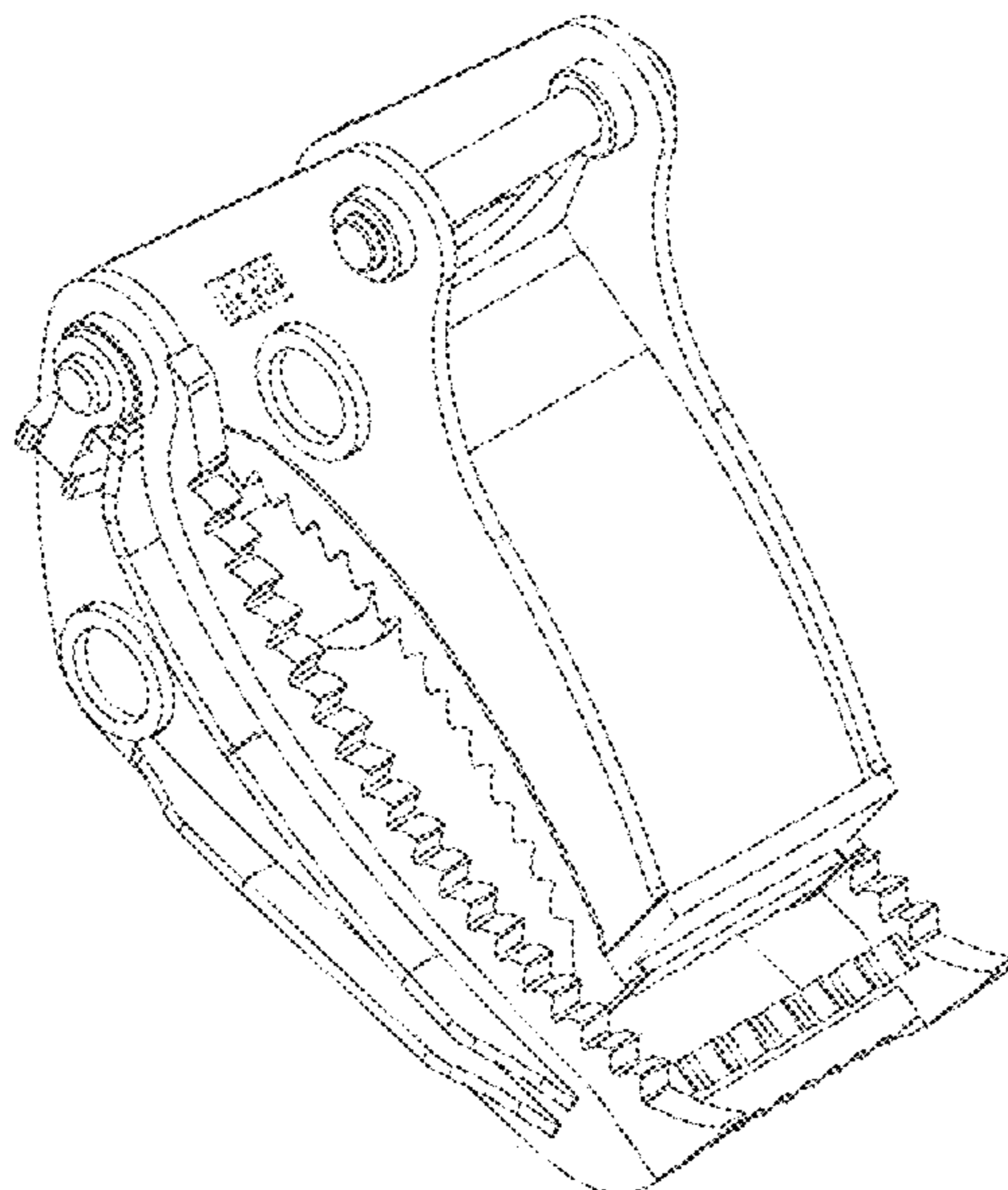
(57) **CLAIM**

The ornamental Design for a grapple shear attachment, as shown and described.

DESCRIPTION

FIG. 1 is a front perspective view of the grapple shear attachment with jaws in a first, closed position;
FIG. 2 is a rear perspective view of the grapple shear attachment of FIG. 1;
FIG. 3 is a right side view of the grapple shear attachment of FIG. 1;
FIG. 4 is a left side view of the grapple shear attachment of FIG. 1;
FIG. 5 is a front view of the grapple shear attachment of FIG. 1;
FIG. 6 is a rear view of the grapple shear attachment of FIG. 1;
FIG. 7 is a top view of the grapple shear attachment of FIG. 1;
FIG. 8 is a bottom view of the grapple shear attachment of FIG. 1; and,
FIG. 9 is a front perspective view of the grapple shear attachment of FIG. 1, showing the jaws in a second, open, position.
The broken lines shown in the drawings are for illustrative purposes only and form no part of the claimed design.

1 Claim, 9 Drawing Sheets



(56)

References Cited

U.S. PATENT DOCUMENTS

10,480,153 B2 * 11/2019 Belesimo E02F 3/404
10,624,279 B1 * 4/2020 Mead A01G 23/093
D920,390 S * 5/2021 Johnson D15/32
D930,052 S * 9/2021 Isringhausen B66C 1/425
D15/32
2007/0145171 A1 * 6/2007 Rafn E04G 23/082
241/101.73
2017/0015528 A1 * 1/2017 Ferguson E02F 3/4133
2018/0370773 A1 * 12/2018 Biadun A01G 23/006

* cited by examiner

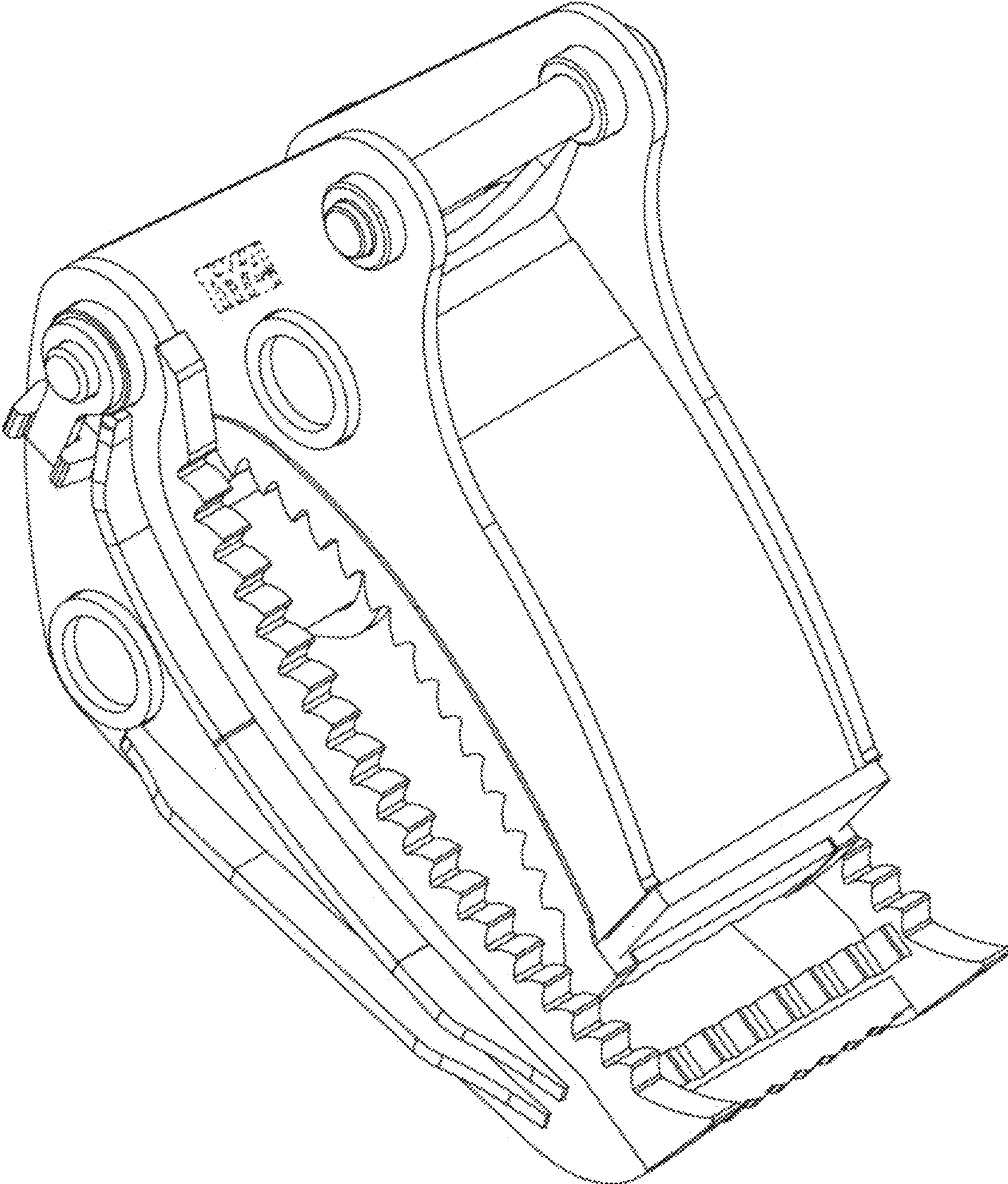


FIG. 1

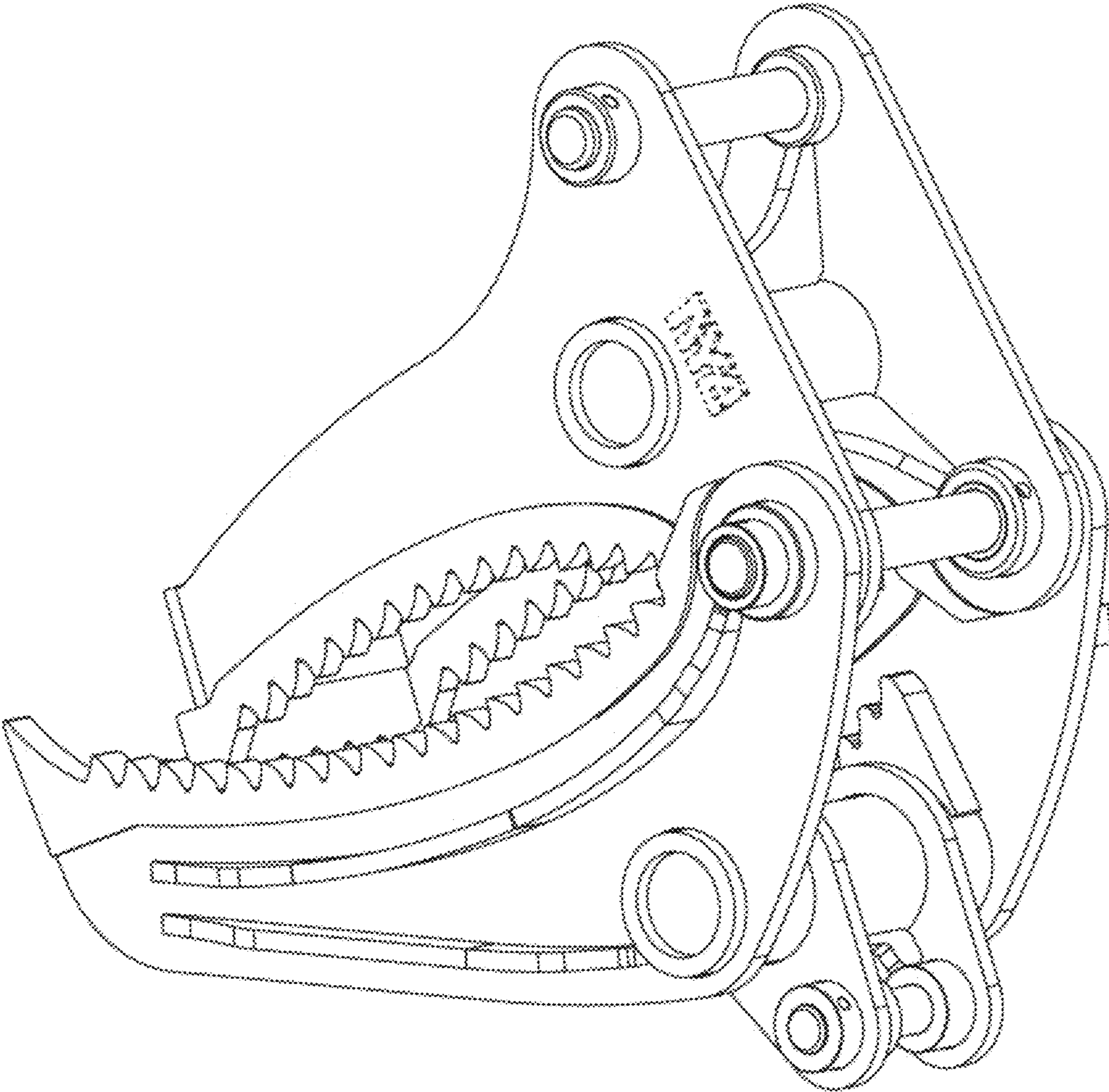


FIG. 2

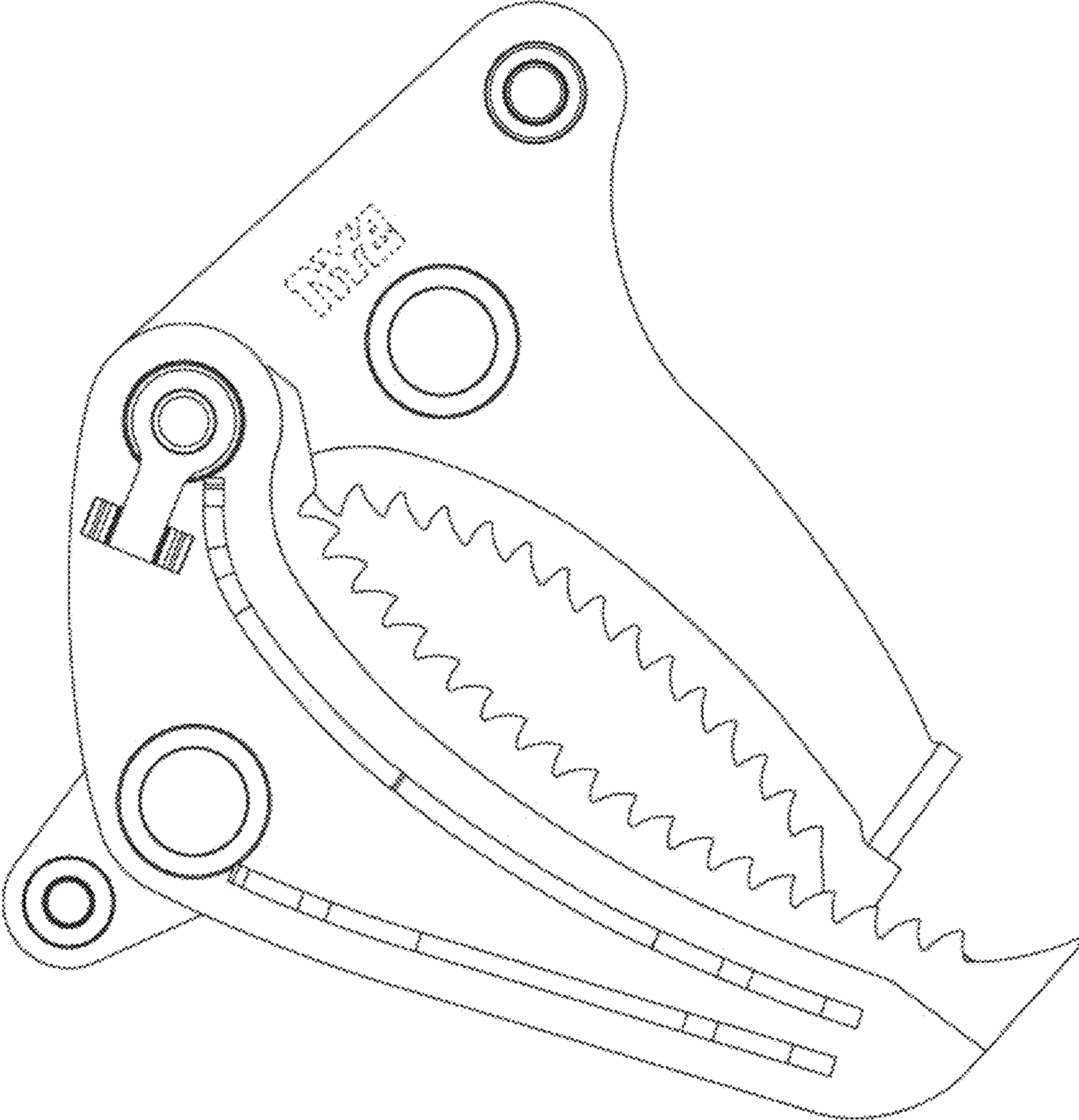


FIG. 3

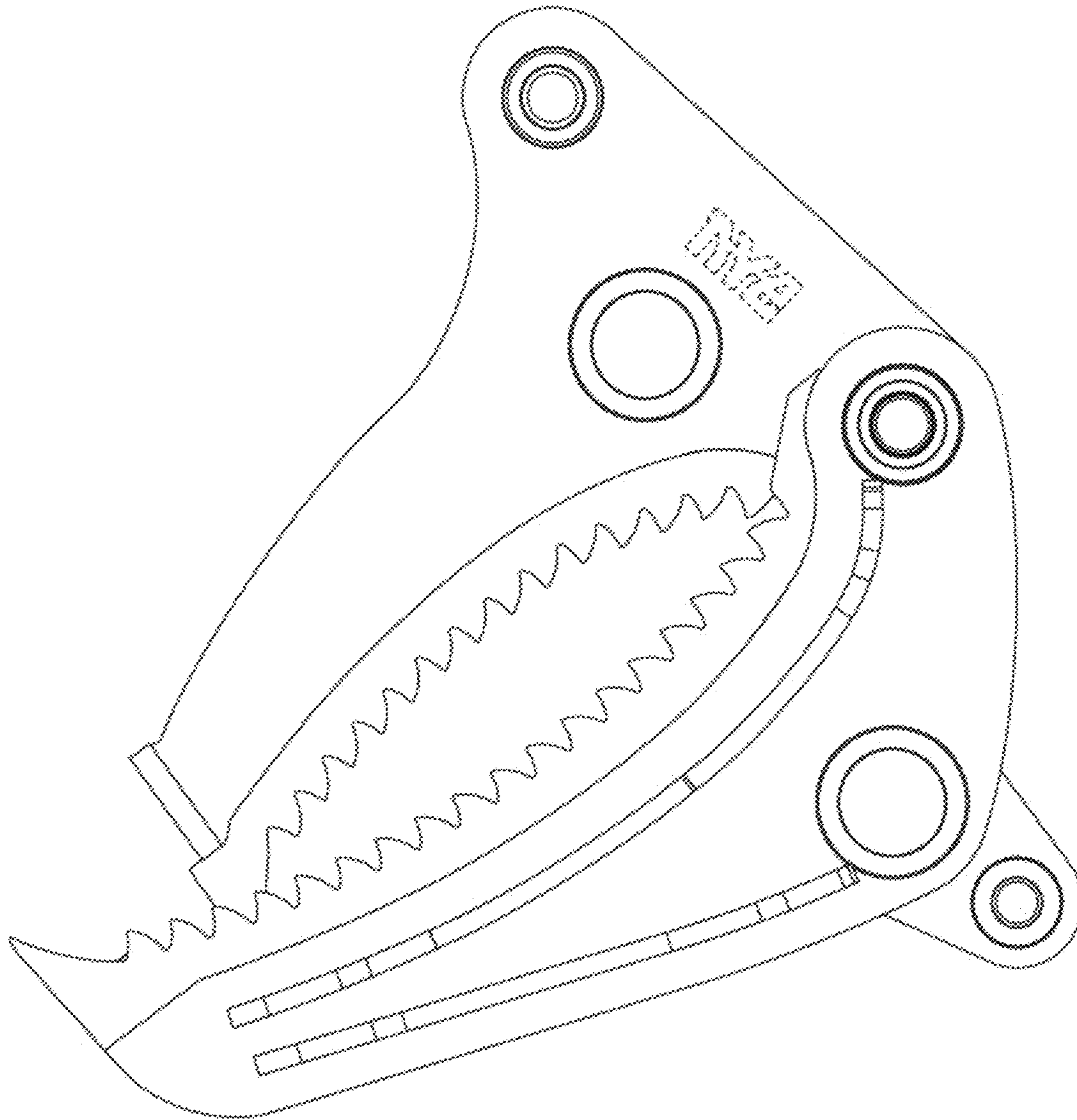


FIG. 4

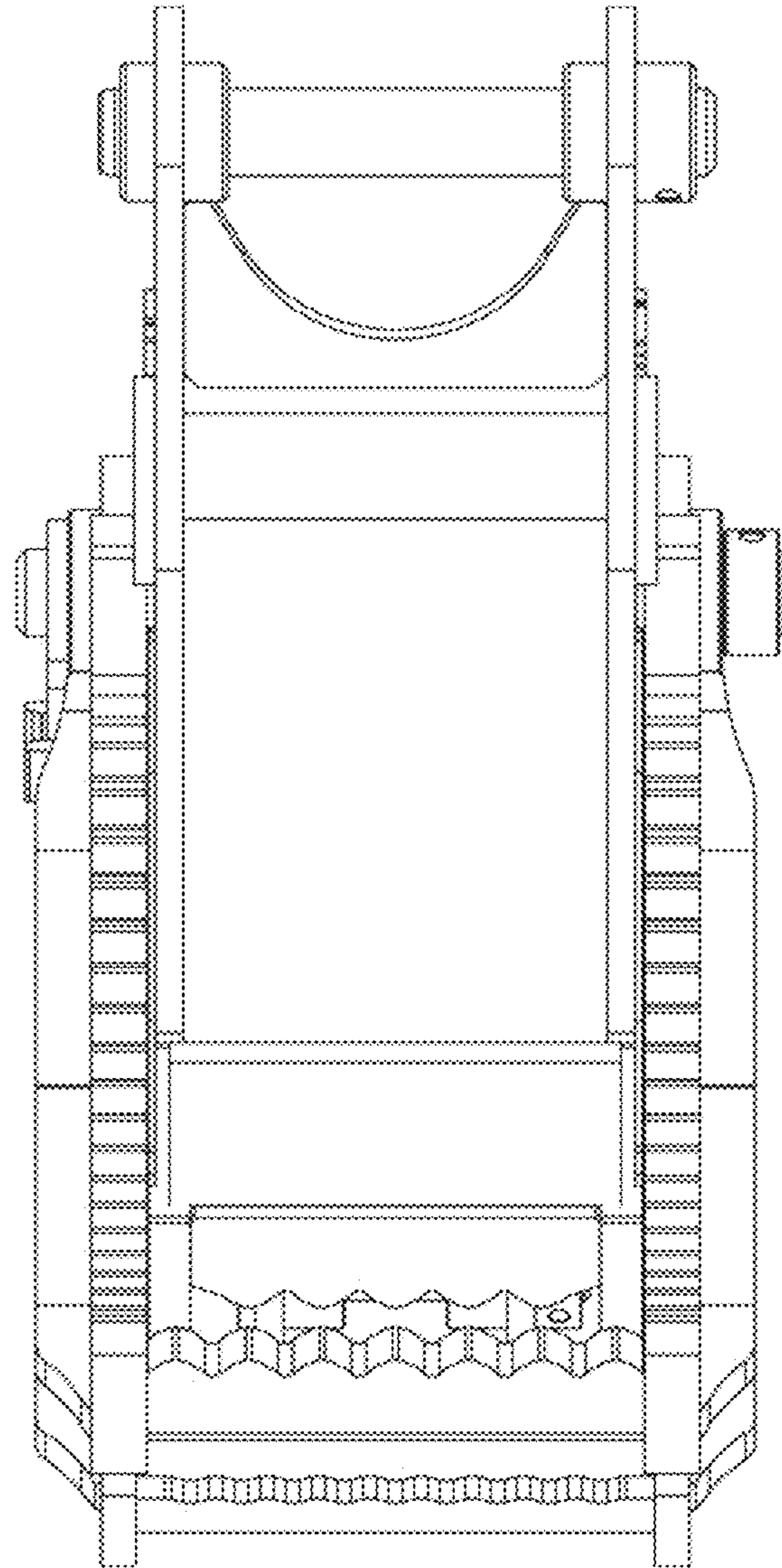


FIG. 5

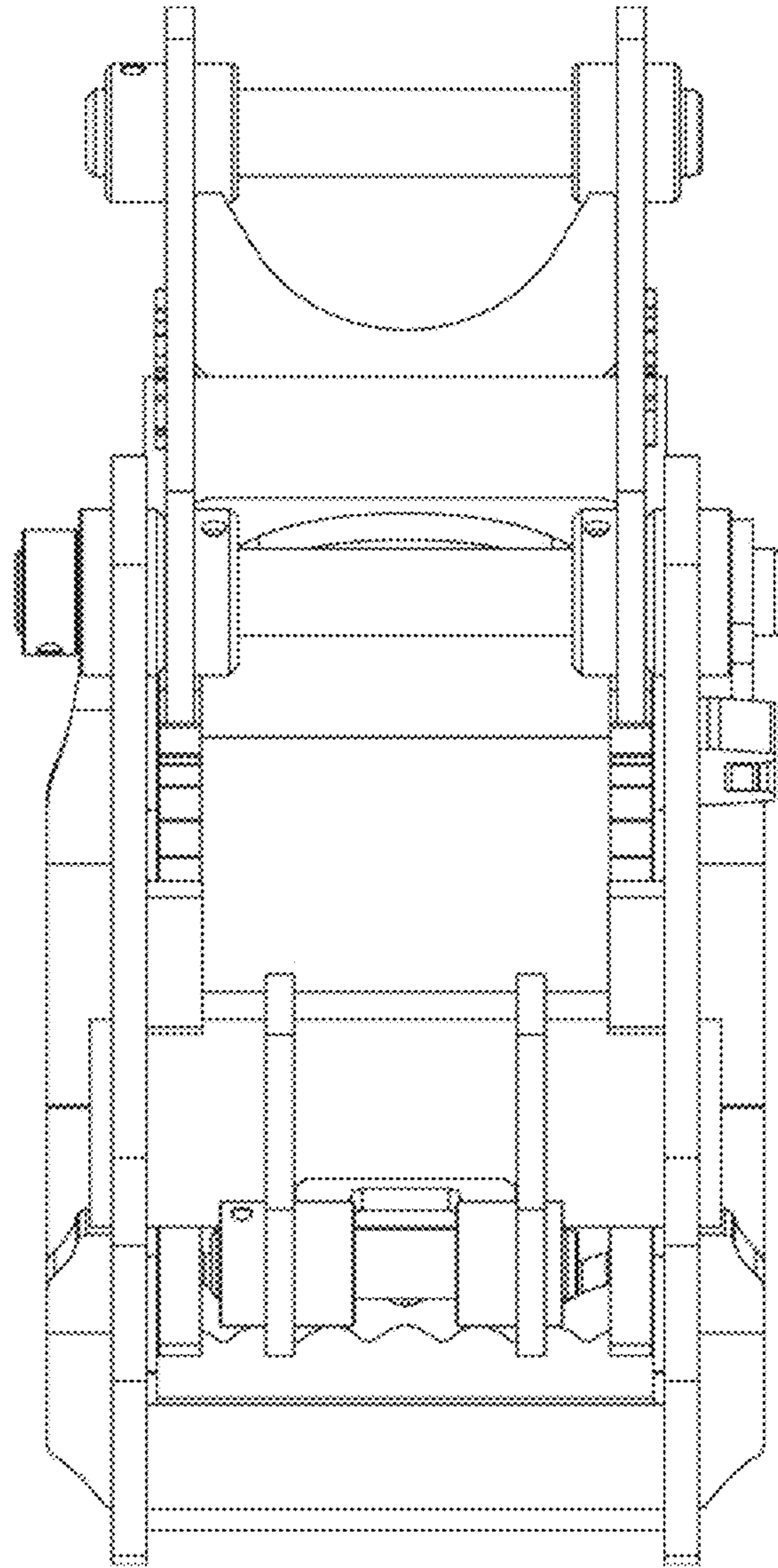


FIG. 6

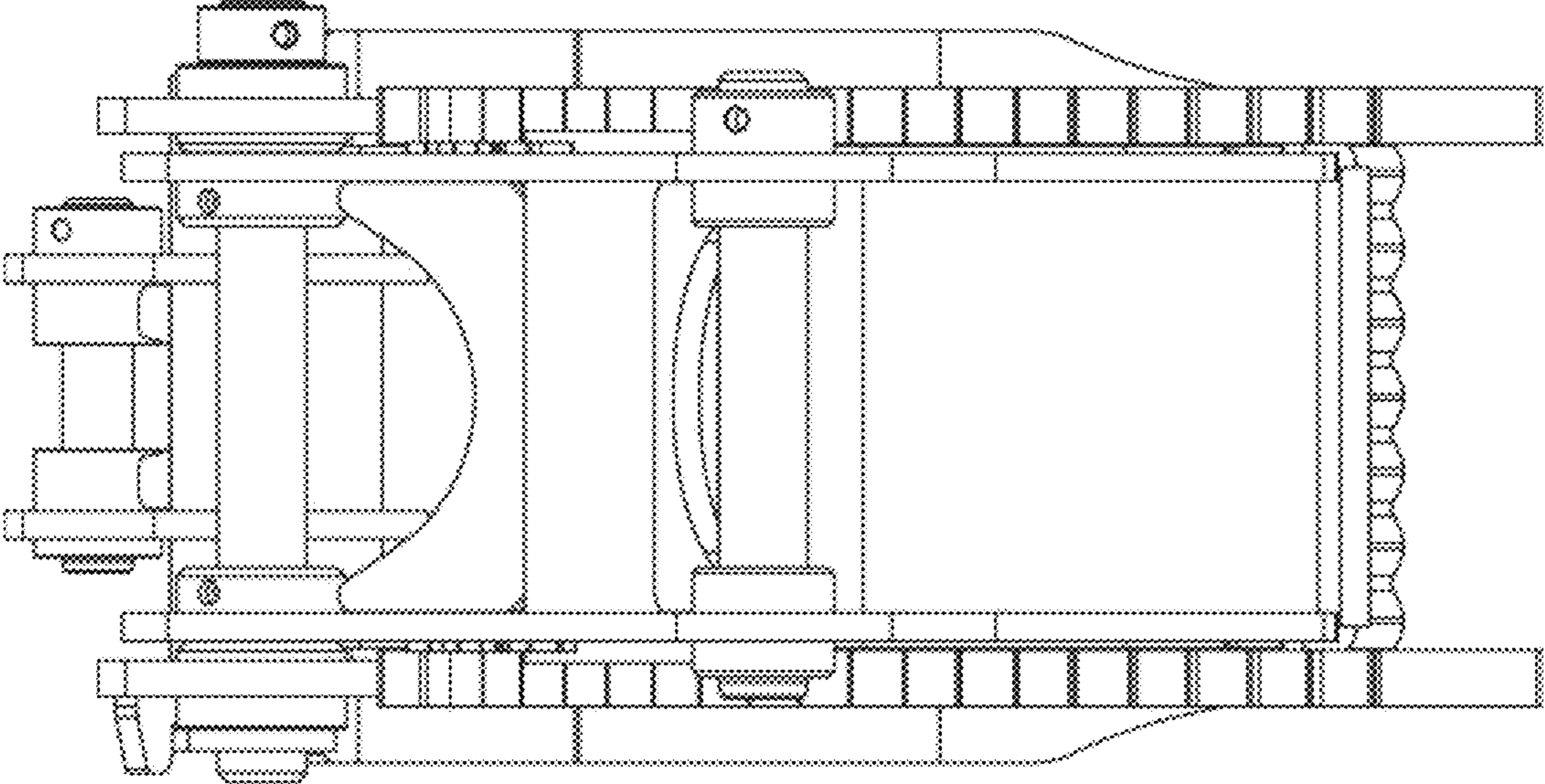


FIG. 7

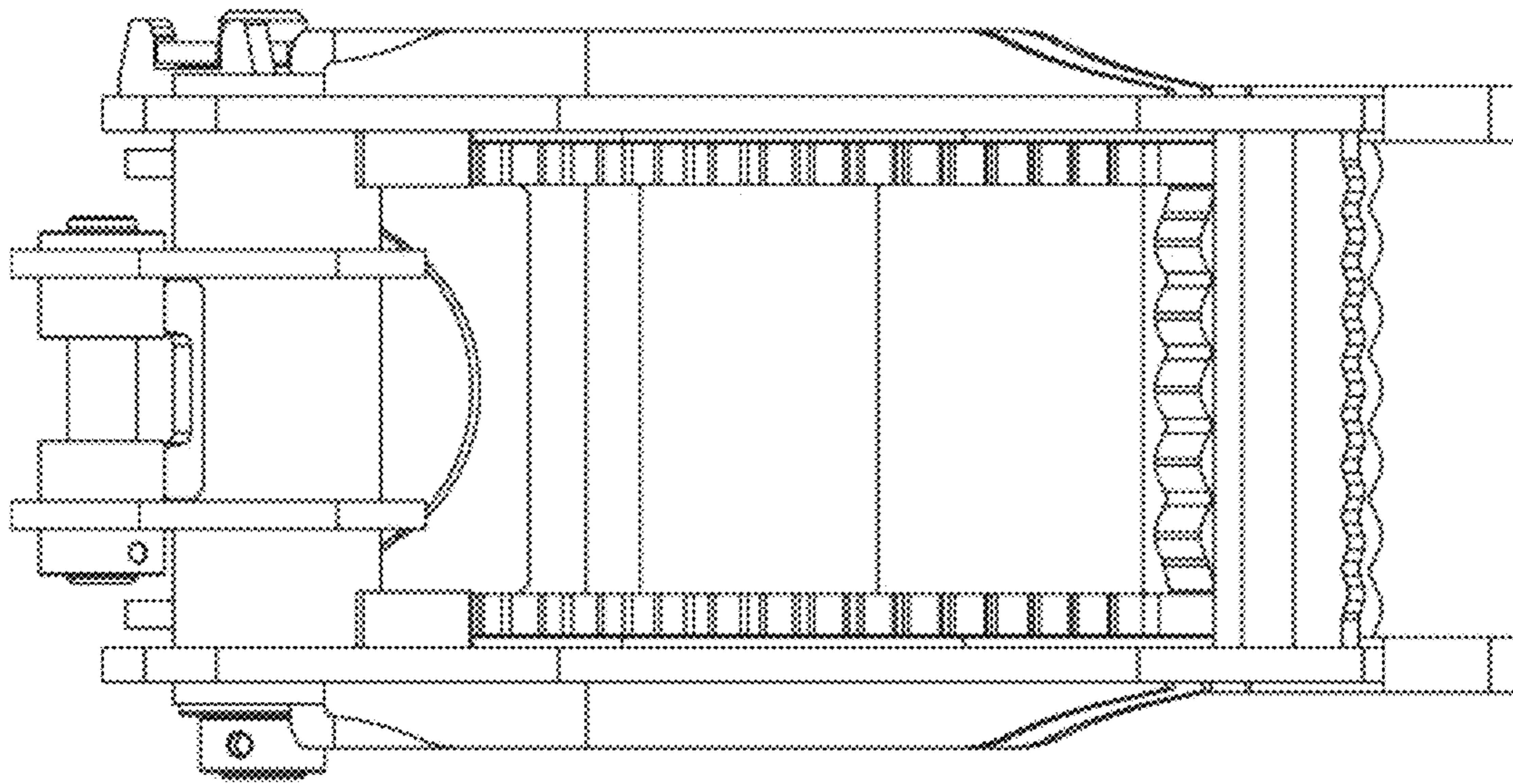


FIG. 8

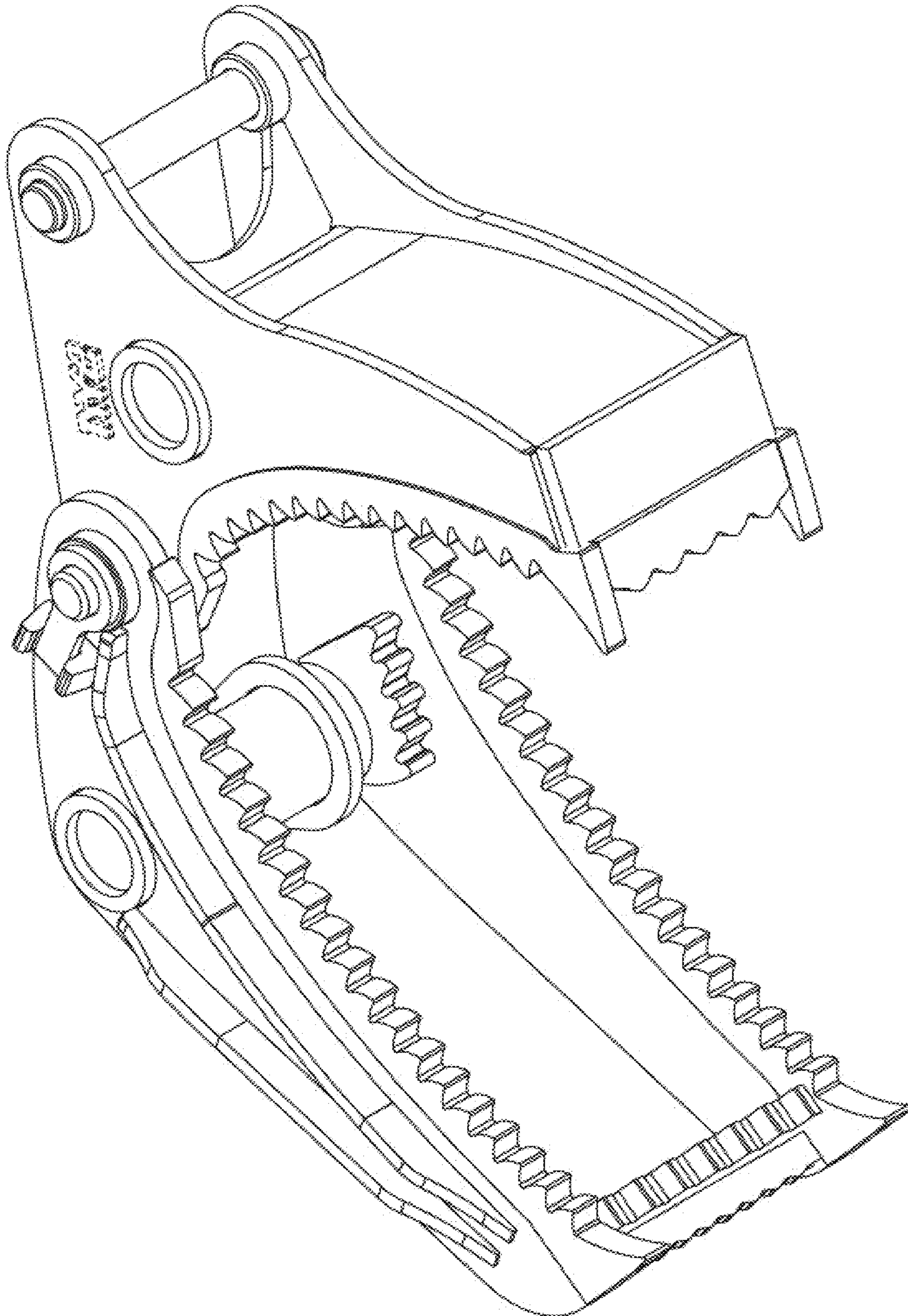


FIG. 9