



US00D954758S

(12) **United States Design Patent**  
**Kelley**

(10) **Patent No.:** **US D954,758 S**  
(45) **Date of Patent:** **\*\* Jun. 14, 2022**

(54) **INNER SONDE TUBE TIMED CAP**

(71) Applicant: **Mark A. Kelley**, Hahira, GA (US)

(72) Inventor: **Mark A. Kelley**, Hahira, GA (US)

(\*\*) Term: **15 Years**

(21) Appl. No.: **29/776,168**

(22) Filed: **Mar. 29, 2021**

(51) **LOC (13) Cl.** ..... **15-03**

(52) **U.S. Cl.**  
USPC ..... **D15/21**

(58) **Field of Classification Search**  
USPC ..... D15/21, 28, 199; D13/133, 154, 184,  
D13/199; D24/127, 170, 171, 172, 173,  
D24/176, 187, 232; D10/46, 72, 81  
CPC ..... H01R 13/516; H01R 13/5219;  
H01R 13/623; H01R 13/625; H01R  
13/6278; H01R 24/84; G01N 33/22;  
G01N 33/221; G01N 33/18; G01N  
33/1806; G01N 33/1813; G01N 33/1893;  
G01N 33/182; G01N 33/1826; G01N  
33/1833; G01N 33/1846; G01N 33/1853;  
G01N 33/186; G01N 33/1866; G01N  
2033/184; G01N 2033/1873  
See application file for complete search history.

6,928,864 B1 \* 8/2005 Henry ..... E21B 47/13  
166/54.1

7,138,926 B2 \* 11/2006 Henry ..... G01V 11/002  
340/693.5

D595,654 S \* 7/2009 Andre ..... D13/133

D626,068 S \* 10/2010 Giefers ..... D13/133

7,832,295 B2 \* 11/2010 Rodriguez ..... G01N 33/1886  
73/866.5

D673,183 S \* 12/2012 Frazier ..... D15/21

8,429,952 B1 \* 4/2013 Bringham ..... G01N 33/1886  
73/53.01

D691,560 S \* 10/2013 Wang ..... D13/133

8,555,482 B2 \* 10/2013 Metzger ..... G01D 11/245  
324/67

D699,268 S \* 2/2014 O'Connor ..... D15/21

D708,138 S \* 7/2014 Sticker ..... D13/133

8,986,028 B2 \* 3/2015 Mueller ..... H01R 24/38  
439/190

D749,644 S \* 2/2016 Redden ..... D15/21

D755,655 S \* 5/2016 Scott ..... D10/81

D756,925 S \* 5/2016 Chung ..... D13/133

(Continued)

*Primary Examiner* — Mark A Goodwin  
(74) *Attorney, Agent, or Firm* — Withers & Keys, LLC

(57) **CLAIM**

The ornamental design for an inner sonde tube timed cap, as shown and described.

**DESCRIPTION**

FIG. 1 is a perspective view of an inner sonde tube timed cap showing my new design;  
FIG. 2 is another perspective view thereof;  
FIG. 3 is a rear view thereof;  
FIG. 4 is a front view thereof;  
FIG. 5 is right-hand view thereof;  
FIG. 6 is a left-hand view thereof;  
FIG. 7 is a top view thereof; and,  
FIG. 8 is a bottom view thereof.  
The broken lines illustrate portions of the inner sonde tube timed cap that form no part of the claimed design.

**1 Claim, 8 Drawing Sheets**

(56) **References Cited**  
U.S. PATENT DOCUMENTS

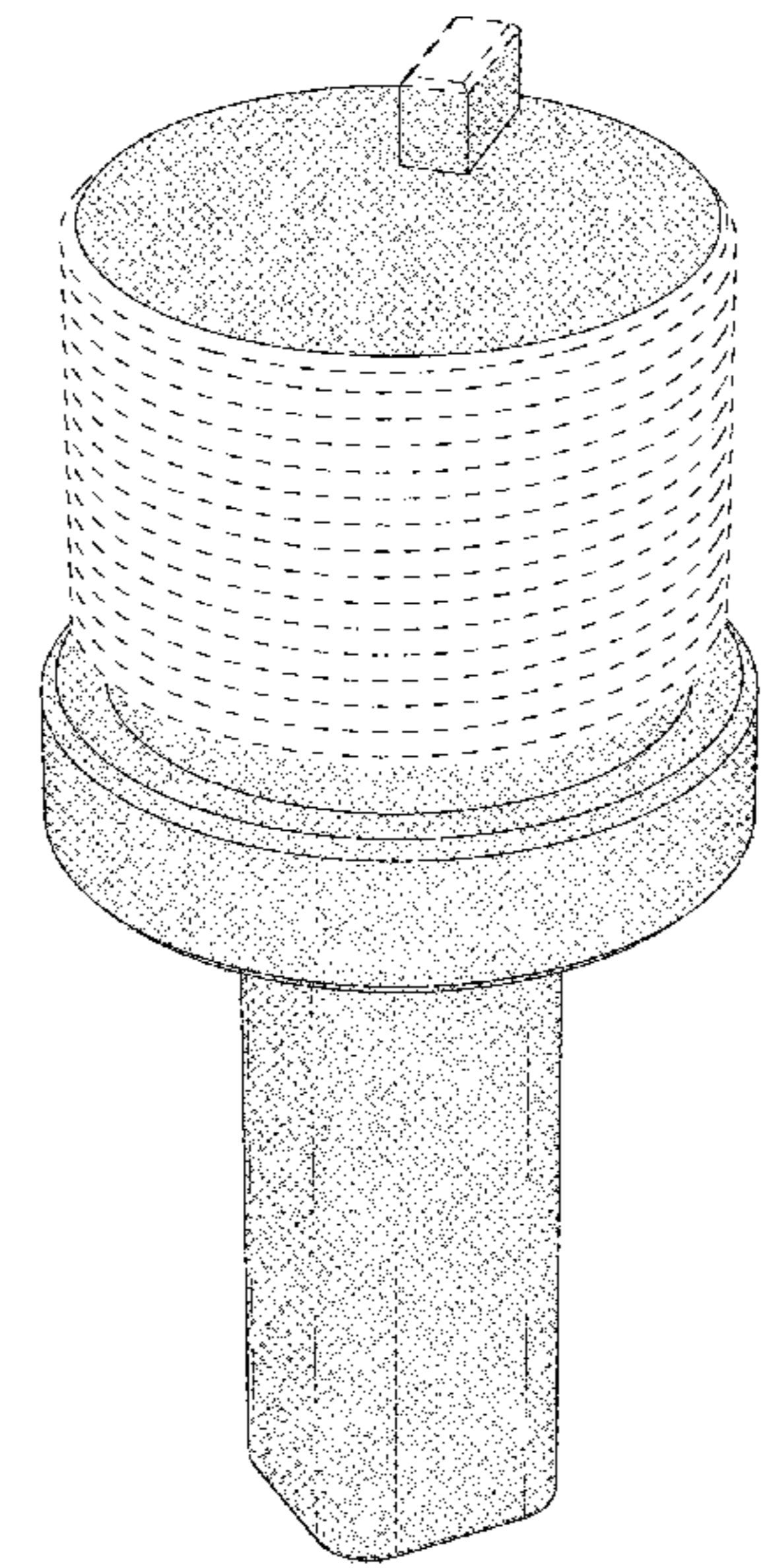
3,335,392 A \* 8/1967 Elliott ..... H01R 24/20  
D13/133

3,437,982 A \* 4/1969 O'Keefe ..... H01R 24/40  
D13/133

D336,070 S \* 6/1993 Clark ..... D13/133

5,259,452 A \* 11/1993 Wittrisch ..... E21B 23/01  
166/250.01

5,685,730 A \* 11/1997 Cameron ..... H01R 13/6397  
D13/133



(56)

References Cited

U.S. PATENT DOCUMENTS

D756,926 S \* 5/2016 Chung ..... D13/133  
 D762,737 S \* 8/2016 Fitzhugh ..... D15/21  
 D769,140 S \* 10/2016 Park ..... D10/81  
 D783,133 S \* 4/2017 Fitzhugh ..... D15/21  
 D787,962 S \* 5/2017 Scott ..... D10/94  
 D787,963 S \* 5/2017 Scott ..... D10/94  
 D793,345 S \* 8/2017 Ferrarese ..... D13/154  
 D803,081 S \* 11/2017 Scott ..... D10/81  
 D806,136 S \* 12/2017 Saulou ..... D15/21  
 D807,991 S \* 1/2018 Fitzhugh ..... D15/21  
 D827,000 S \* 8/2018 VanLue ..... E21B 23/01  
 D15/138  
 D847,092 S \* 4/2019 Kelley ..... D13/133  
 D883,344 S \* 5/2020 Bleeker ..... D15/21  
 11,181,427 B2 \* 11/2021 Kimbell ..... G01K 7/22  
 D942,877 S \* 2/2022 Gomez Garcia ..... D10/70  
 2005/0120813 A1 \* 6/2005 Clark ..... E21B 49/08  
 73/866.5  
 2009/0158819 A1 \* 6/2009 Vincent ..... G01N 33/1886  
 374/142

2011/0273710 A1 \* 11/2011 Dong ..... G01N 21/55  
 356/338  
 2013/0018491 A1 \* 1/2013 Kelly ..... G01N 1/2035  
 422/116  
 2013/0319685 A1 \* 12/2013 Pike ..... E21B 17/028  
 166/66.5  
 2014/0148027 A1 \* 5/2014 Mueller ..... H01R 24/38  
 439/190  
 2015/0322739 A1 \* 11/2015 Macdonald ..... E21B 47/024  
 166/378  
 2016/0139070 A1 \* 5/2016 Scott ..... G01N 33/18  
 324/693  
 2016/0139101 A1 \* 5/2016 Scott ..... G01N 33/18  
 73/866.5  
 2016/0365667 A1 \* 12/2016 Mueller ..... G01V 11/002  
 2017/0131433 A1 \* 5/2017 Hartmann ..... E21B 47/00  
 2018/0011211 A1 \* 1/2018 Leonard ..... G01N 29/0654  
 2018/0042111 A1 \* 2/2018 Difoggio ..... H05K 3/341  
 2018/0179882 A1 \* 6/2018 Treviranus ..... E21B 47/12  
 2019/0078431 A1 \* 3/2019 Castro ..... E21B 10/36  
 2021/0002966 A1 \* 1/2021 Church ..... F16C 19/364

\* cited by examiner

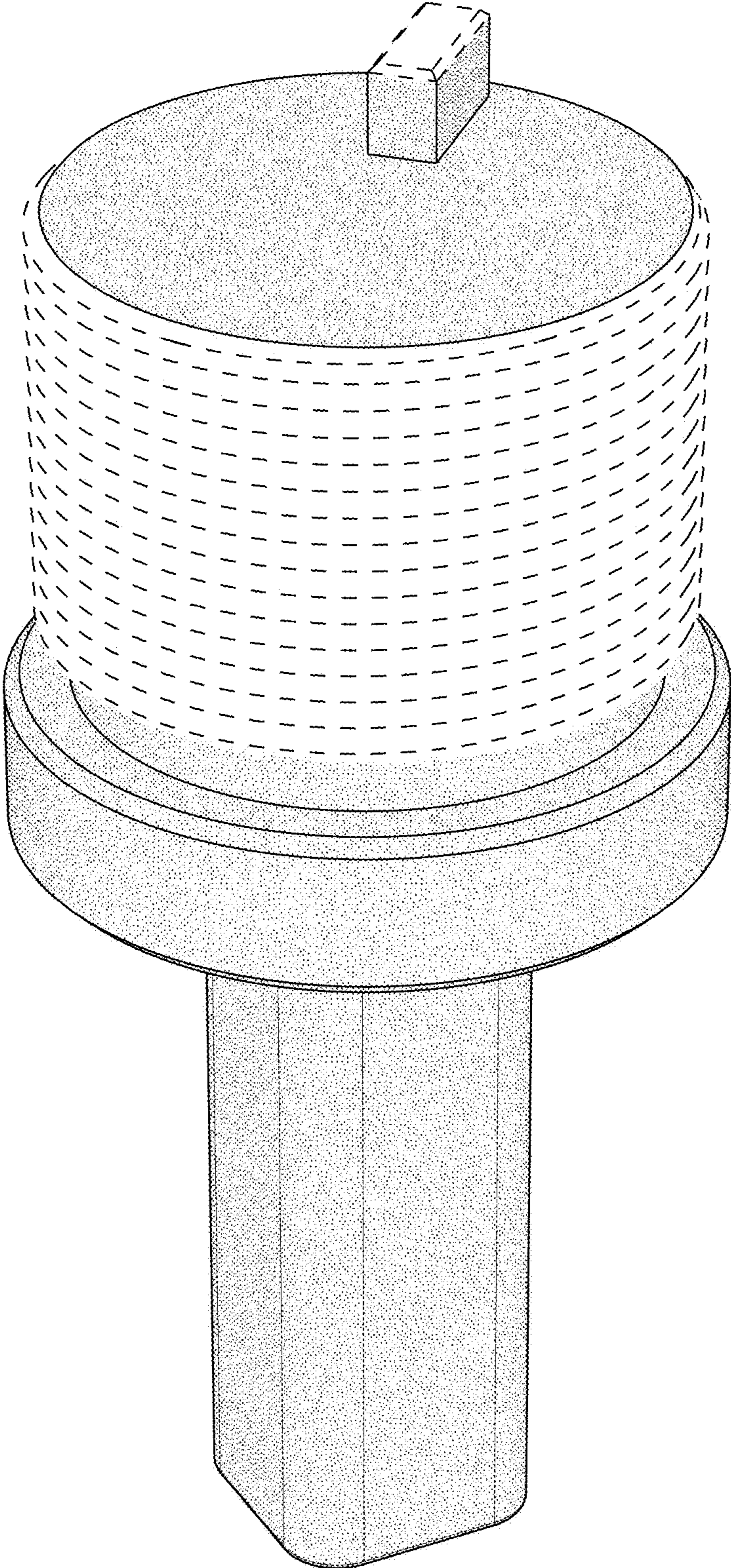


FIG.1

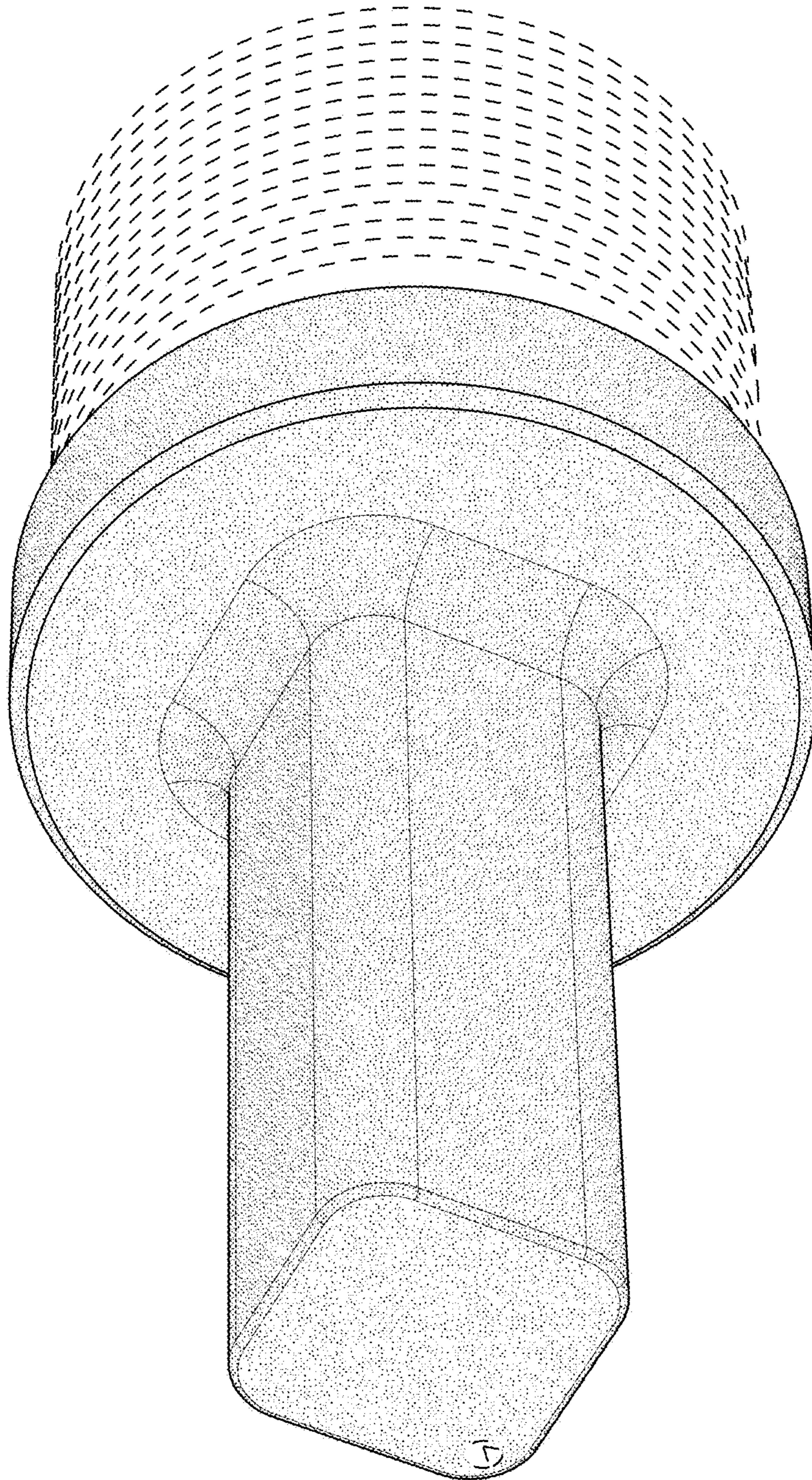


FIG. 2

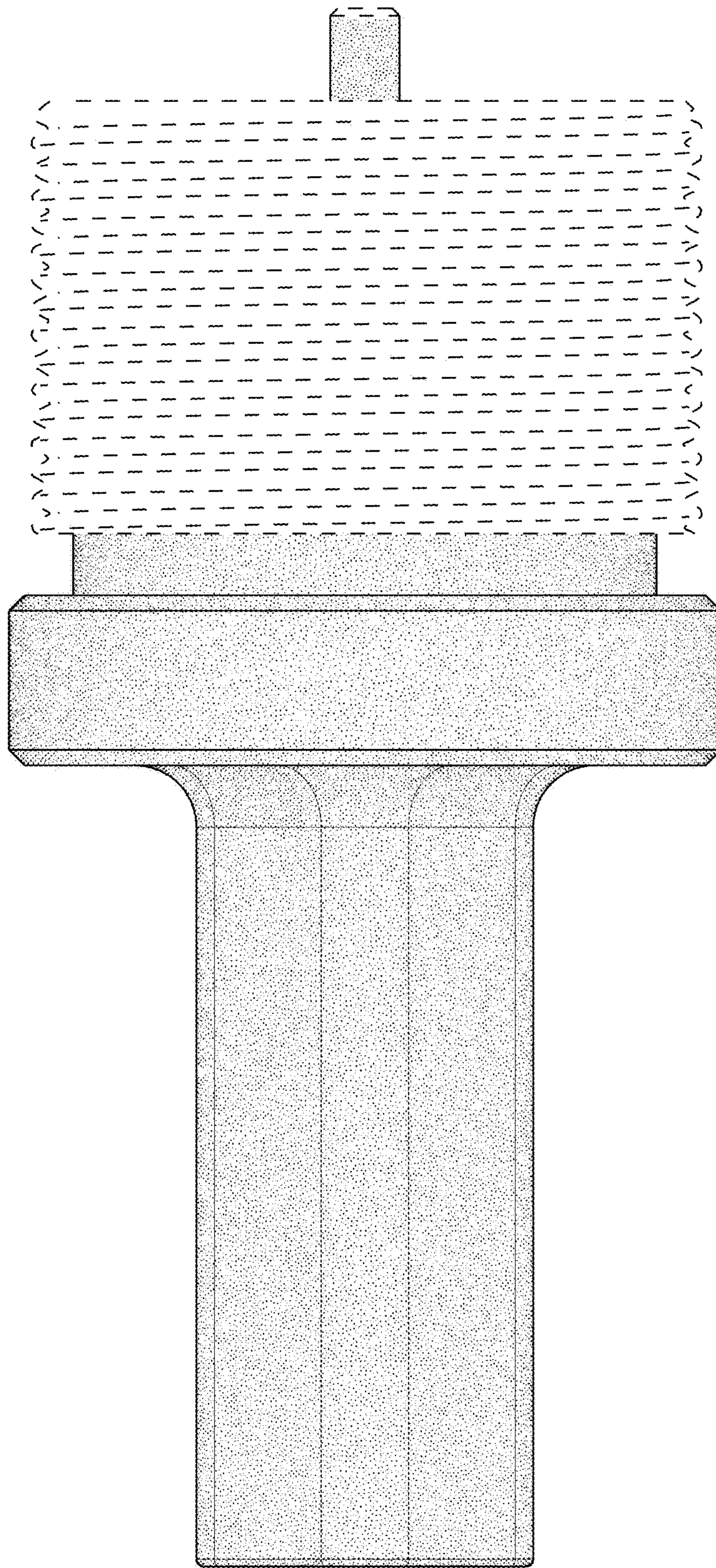


FIG.3

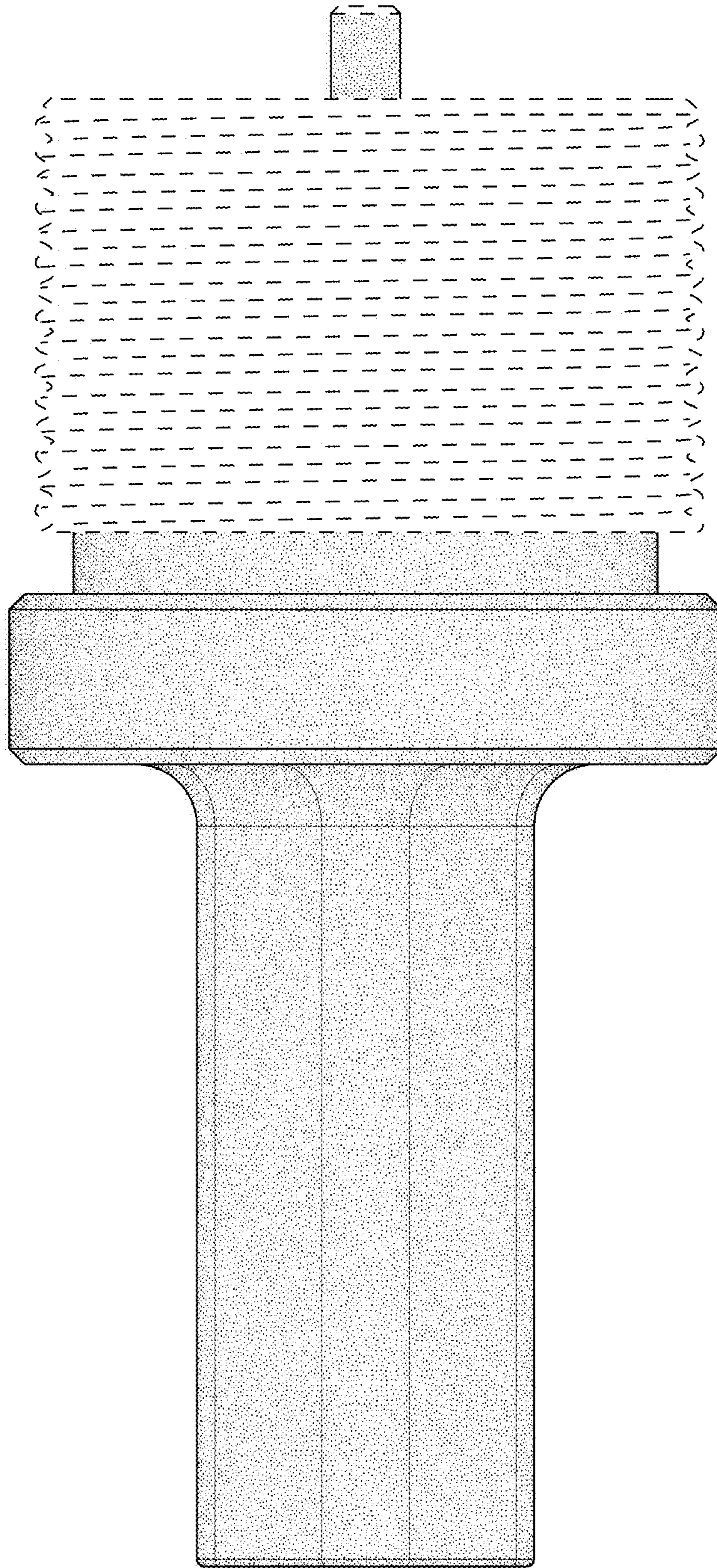


FIG.4

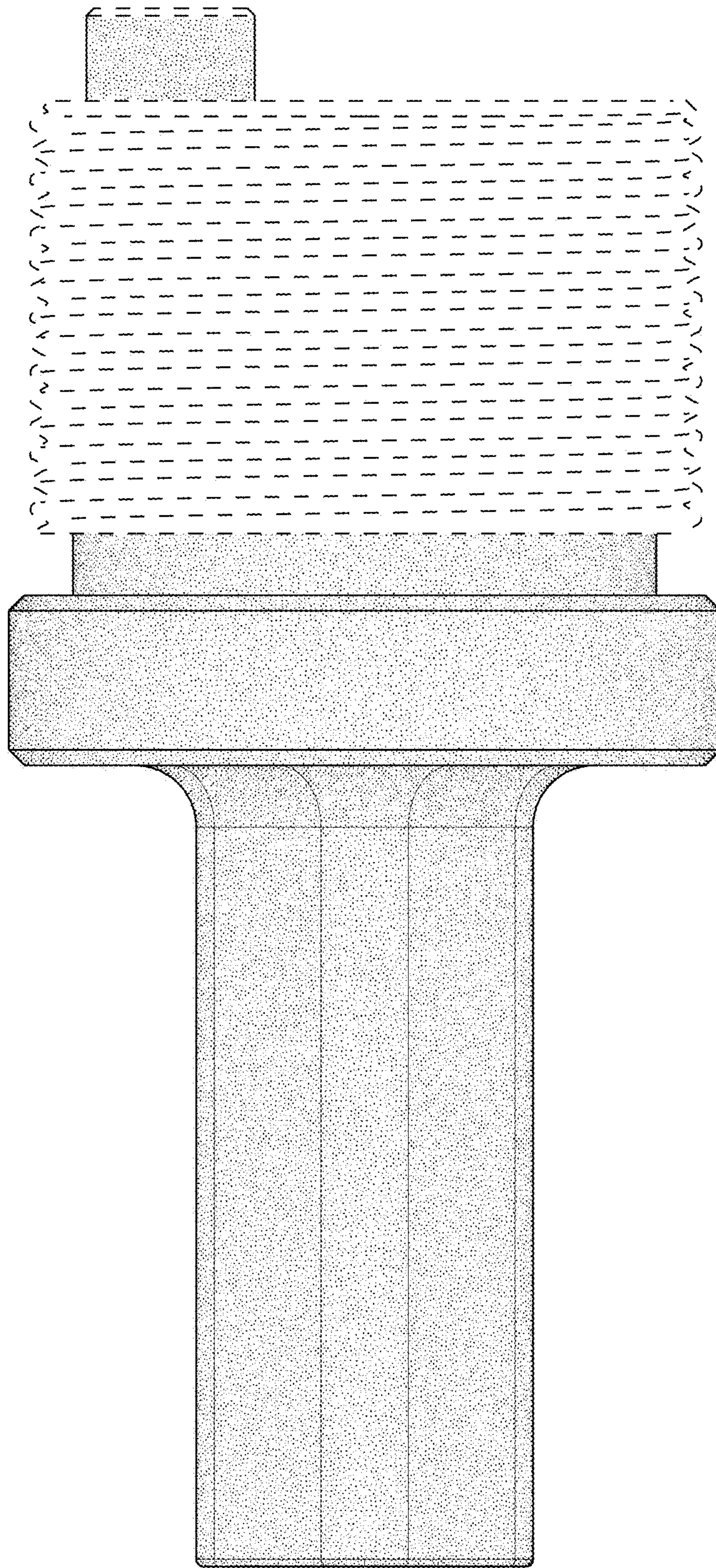


FIG.5

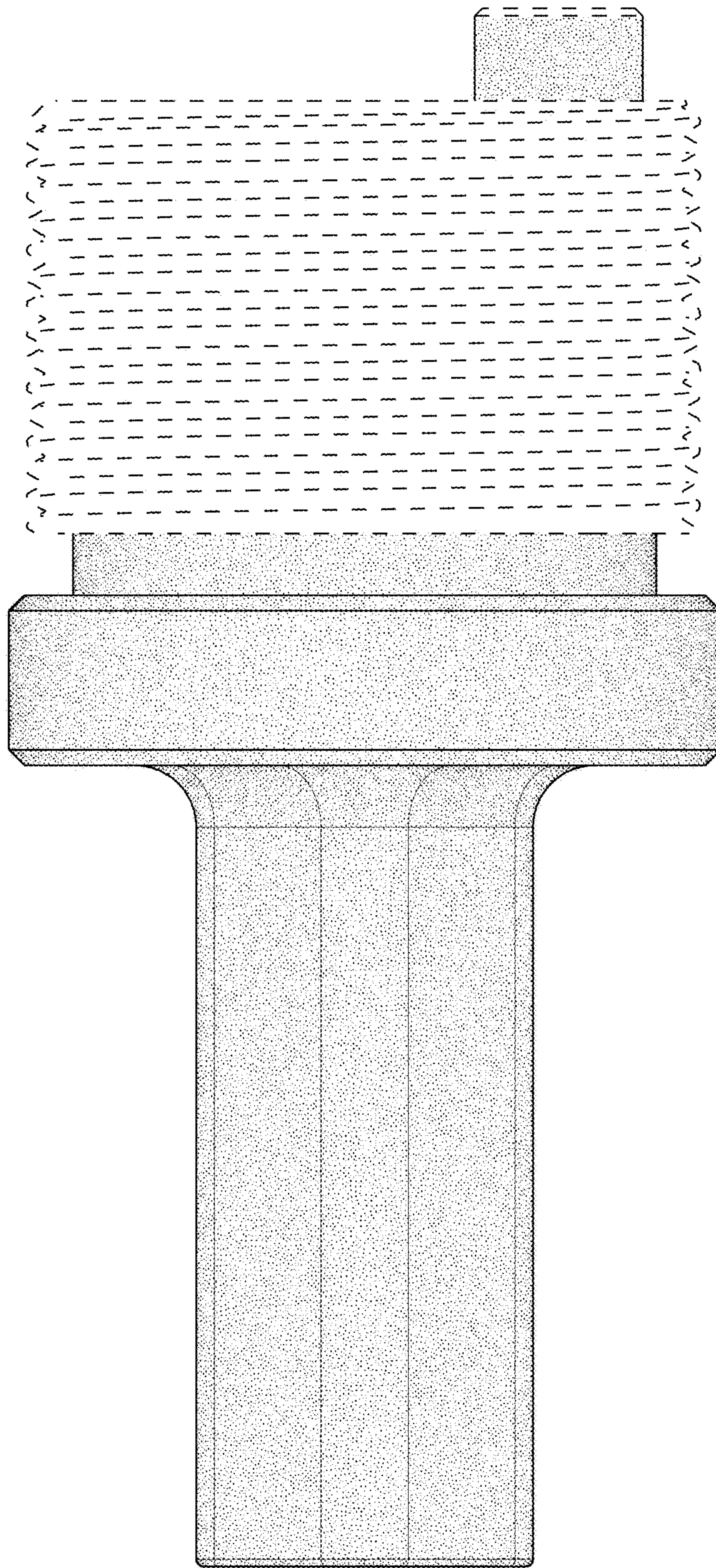


FIG.6



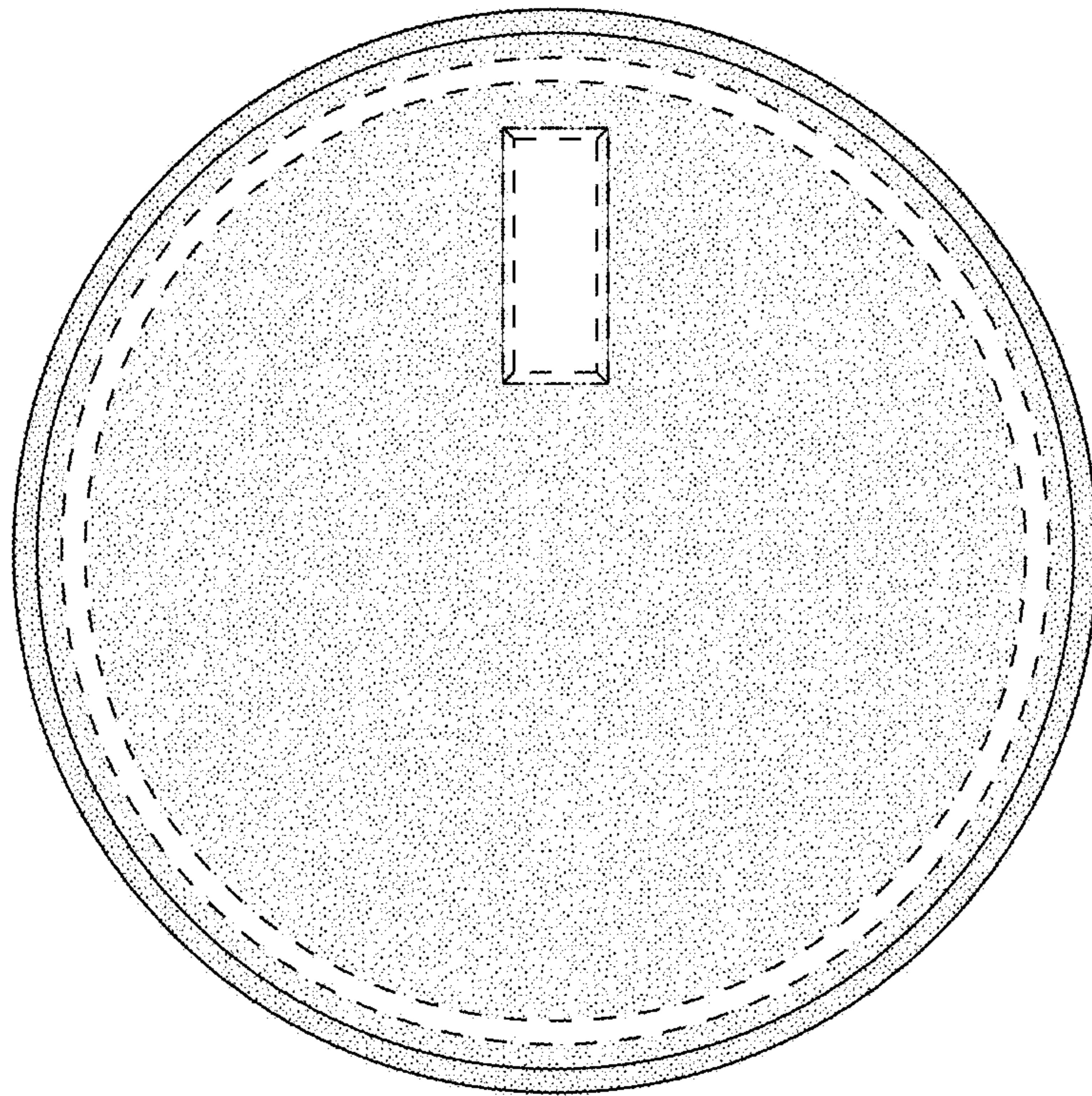


FIG.7

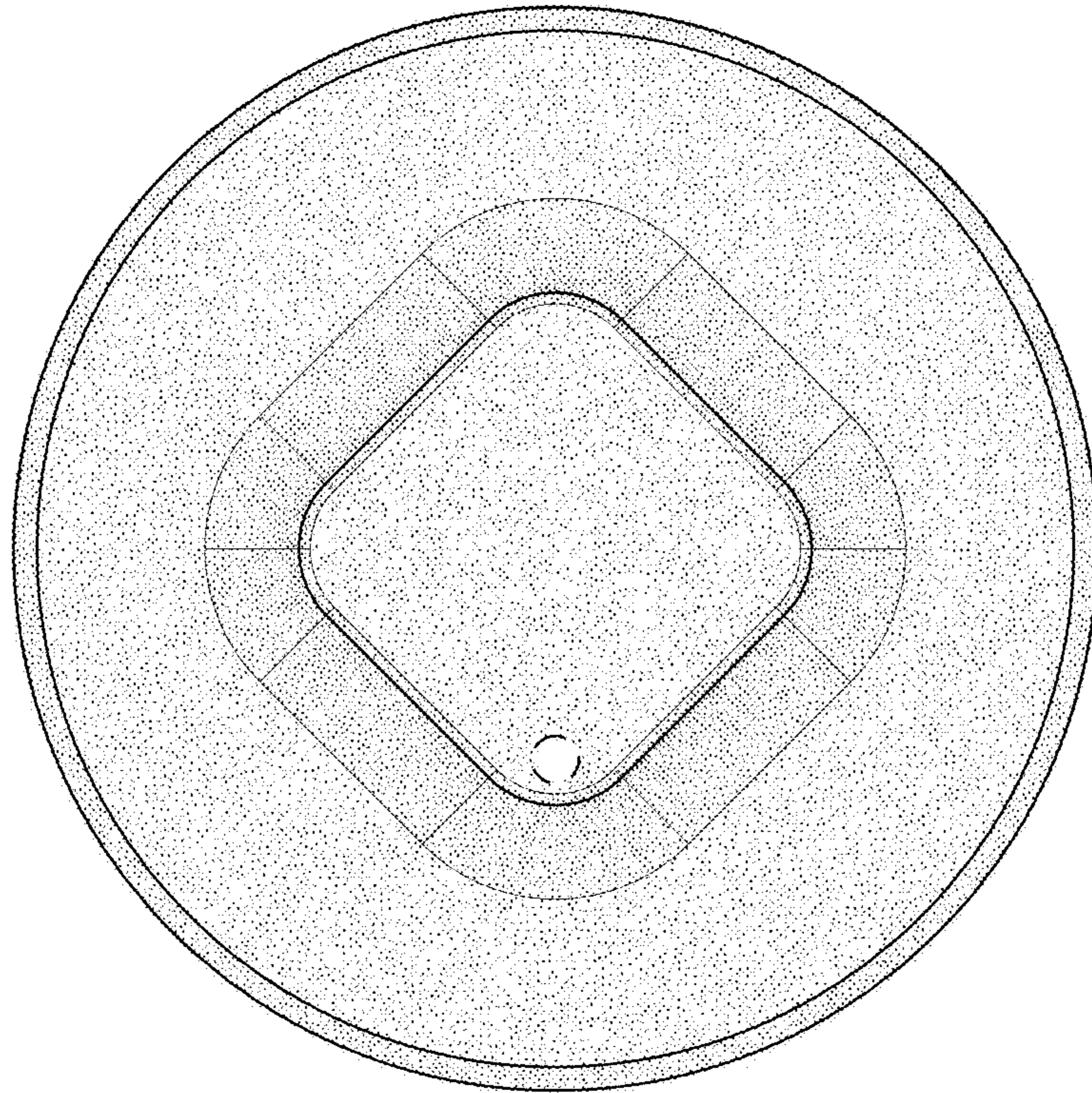


FIG.8