



US00D954757S

(12) **United States Design Patent**
Kelley

(10) **Patent No.:** **US D954,757 S**
(45) **Date of Patent:** **** Jun. 14, 2022**

(54) **INNER SONDE TUBE TIMED CAP**

(71) Applicant: **Mark A. Kelley**, Hahira, GA (US)

(72) Inventor: **Mark A. Kelley**, Hahira, GA (US)

(**) Term: **15 Years**

(21) Appl. No.: **29/776,167**

(22) Filed: **Mar. 29, 2021**

(51) **LOC (13) Cl.** **15-03**

(52) **U.S. Cl.**
USPC **D15/21**

(58) **Field of Classification Search**
USPC D15/21, 28, 199; D13/133, 154, 184,
D13/199; D24/127, 170, 171, 172, 173,
D24/176, 187, 232; D10/46, 72, 81
CPC H01R 13/516; H01R 13/5219; H01R
13/623; H01R 13/625; H01R 13/6278;
H01R 24/84; G01N 33/22; G01N 33/221;
G01N 33/18; G01N 33/1806; G01N
33/1813; G01N 33/1893; G01N 33/182;
G01N 33/1826; G01N 33/1833; G01N
33/1846; G01N 33/1853; G01N 33/186;
G01N 33/1866; G01N 2033/184; G01N
2033/1873

See application file for complete search history.

(56) **References Cited**

U.S. PATENT DOCUMENTS

3,335,392 A * 8/1967 Elliott H01R 24/20
D13/133

3,437,982 A * 4/1969 O'Keefe H01R 24/40
D13/133

D336,070 S * 6/1993 Clark D13/133

5,259,452 A * 11/1993 Wittrisch E21B 23/01
166/250.01

5,685,730 A * 11/1997 Cameron H01R 13/6397
D13/133

6,928,864 B1 * 8/2005 Henry E21B 47/13
166/54.1

7,138,926 B2 * 11/2006 Henry G01V 11/002
340/693.5

D595,654 S * 7/2009 Andre D13/133

D626,068 S * 10/2010 Giefers D13/133

7,832,295 B2 * 11/2010 Rodriguez G01N 33/1886
73/866.5

D673,183 S * 12/2012 Frazier D15/21

8,429,952 B1 * 4/2013 Bringham G01N 33/1886
73/53.01

D691,560 S * 10/2013 Wang D13/133

8,555,482 B2 * 10/2013 Metzger G01D 11/245
324/67

D699,268 S * 2/2014 O'Connor D15/21

D708,138 S * 7/2014 Sticker D13/133

8,986,028 B2 * 3/2015 Mueller H01R 24/38
439/190

D749,644 S * 2/2016 Redden D15/21

D755,655 S * 5/2016 Scott D10/81

D756,925 S * 5/2016 Chung D13/133

(Continued)

Primary Examiner — Mark A Goodwin
(74) Attorney, Agent, or Firm — Withers & Keys, LLC

(57) **CLAIM**

The ornamental design for an inner sonde tube timed cap, as shown and described.

DESCRIPTION

FIG. 1 is a perspective view of an inner sonde tube timed cap showing my new design;

FIG. 2 is another perspective view thereof;

FIG. 3 is a rear view thereof;

FIG. 4 is a front view thereof;

FIG. 5 is right-hand view thereof;

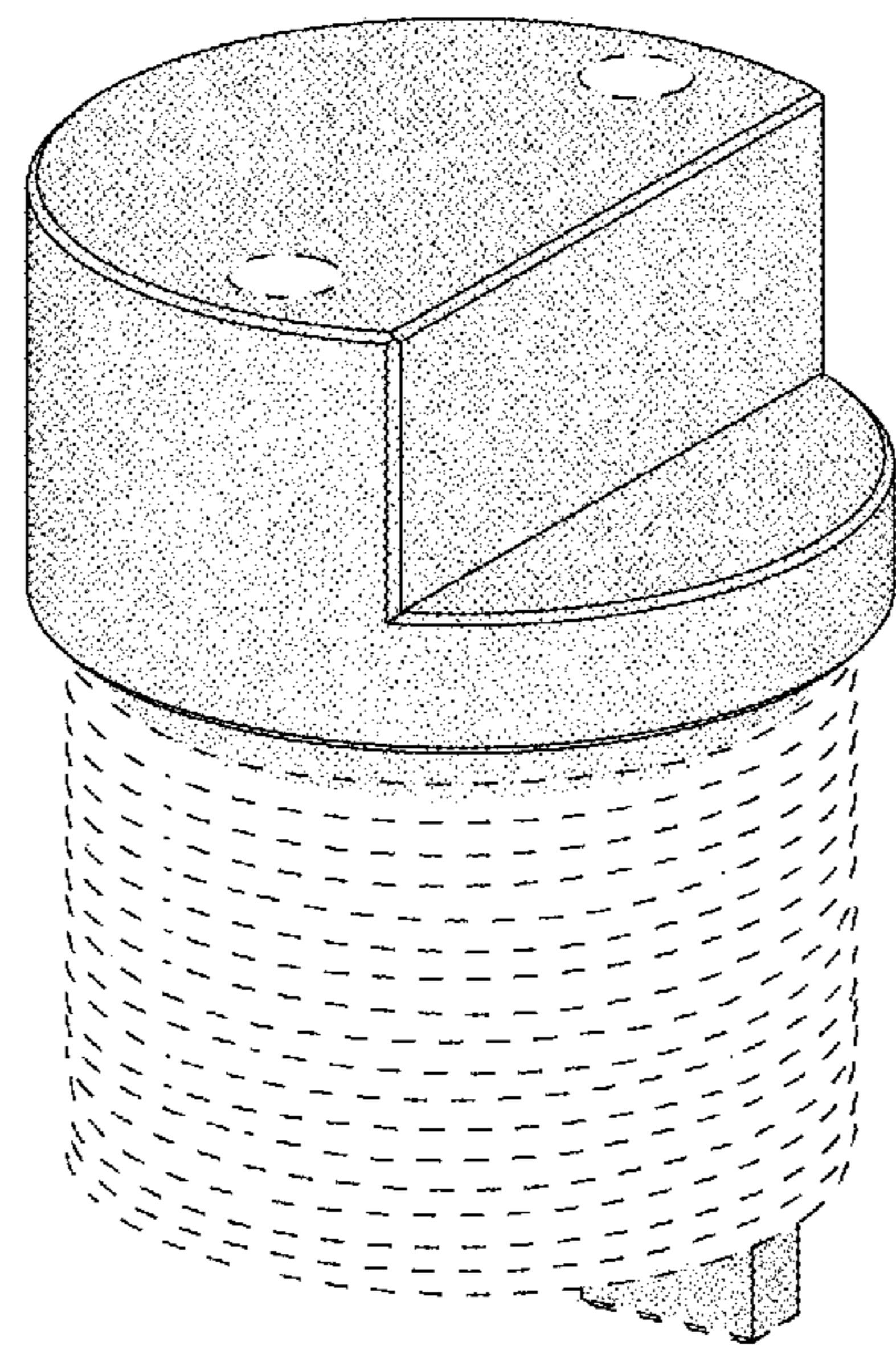
FIG. 6 is a left-hand view thereof;

FIG. 7 is a top view thereof; and,

FIG. 8 is a bottom view thereof.

The broken lines illustrate portions of the inner sonde tube timed cap that form no part of the claimed design.

1 Claim, 8 Drawing Sheets



(56)

References Cited

U.S. PATENT DOCUMENTS

D756,926 S * 5/2016 Chung D13/133
 D762,737 S * 8/2016 Fitzhugh D15/21
 D769,140 S * 10/2016 Park D10/81
 D783,133 S * 4/2017 Fitzhugh D15/21
 D787,962 S * 5/2017 Scott D10/94
 D787,963 S * 5/2017 Scott D10/94
 D793,345 S * 8/2017 Ferrarese D13/154
 D803,081 S * 11/2017 Scott D10/81
 D806,136 S * 12/2017 Saulou D15/21
 D807,991 S * 1/2018 Fitzhugh D15/21
 D827,000 S * 8/2018 VanLue E21B 23/01
 D15/138
 D847,092 S * 4/2019 Kelley D13/133
 D883,344 S * 5/2020 Bleeker D15/21
 11,181,427 B2 * 11/2021 Kimbell G01K 7/22
 D942,877 S * 2/2022 Gomez Garcia D10/70
 2005/0120813 A1 * 6/2005 Clark E21B 49/08
 73/866.5
 2009/0158819 A1 * 6/2009 Vincent G01N 33/1886
 374/142

2011/0273710 A1 * 11/2011 Dong G01N 21/55
 356/338
 2013/0018491 A1 * 1/2013 Kelly G01N 1/2035
 422/116
 2013/0319685 A1 * 12/2013 Pike E21B 17/028
 166/66.5
 2014/0148027 A1 * 5/2014 Mueller H01R 24/38
 439/190
 2015/0322739 A1 * 11/2015 Macdonald E21B 47/024
 166/378
 2016/0139070 A1 * 5/2016 Scott G01N 33/18
 324/693
 2016/0139101 A1 * 5/2016 Scott G01N 33/18
 73/866.5
 2016/0365667 A1 * 12/2016 Mueller G01V 11/002
 2017/0131433 A1 * 5/2017 Hartmann E21B 47/00
 2018/0011211 A1 * 1/2018 Leonard G01N 29/0654
 2018/0042111 A1 * 2/2018 Difoggio H05K 3/341
 2018/0179882 A1 * 6/2018 Treviranus E21B 47/12
 2019/0078431 A1 * 3/2019 Castro E21B 10/36
 2021/0002966 A1 * 1/2021 Church F16C 19/364

* cited by examiner

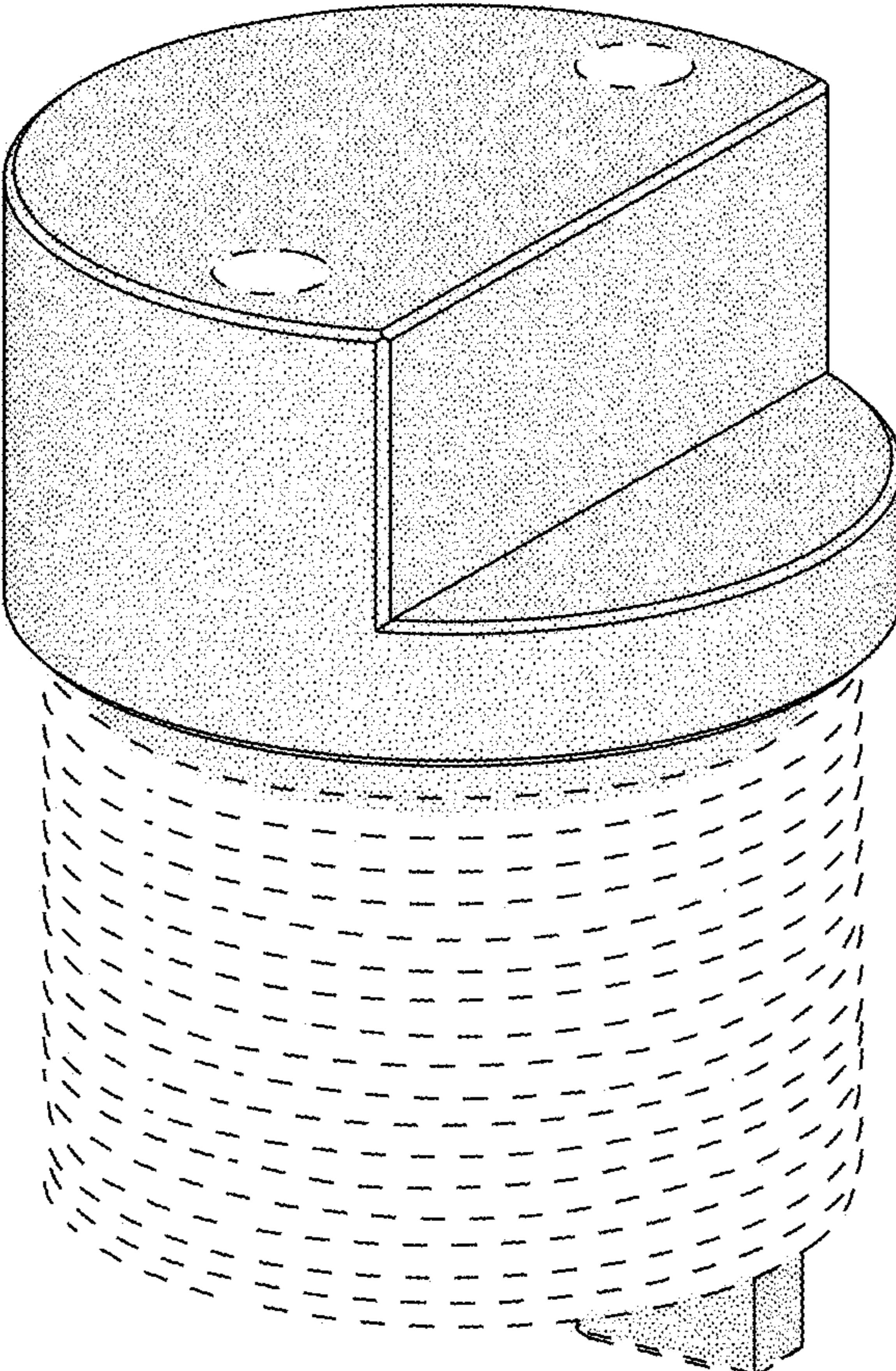


FIG.1

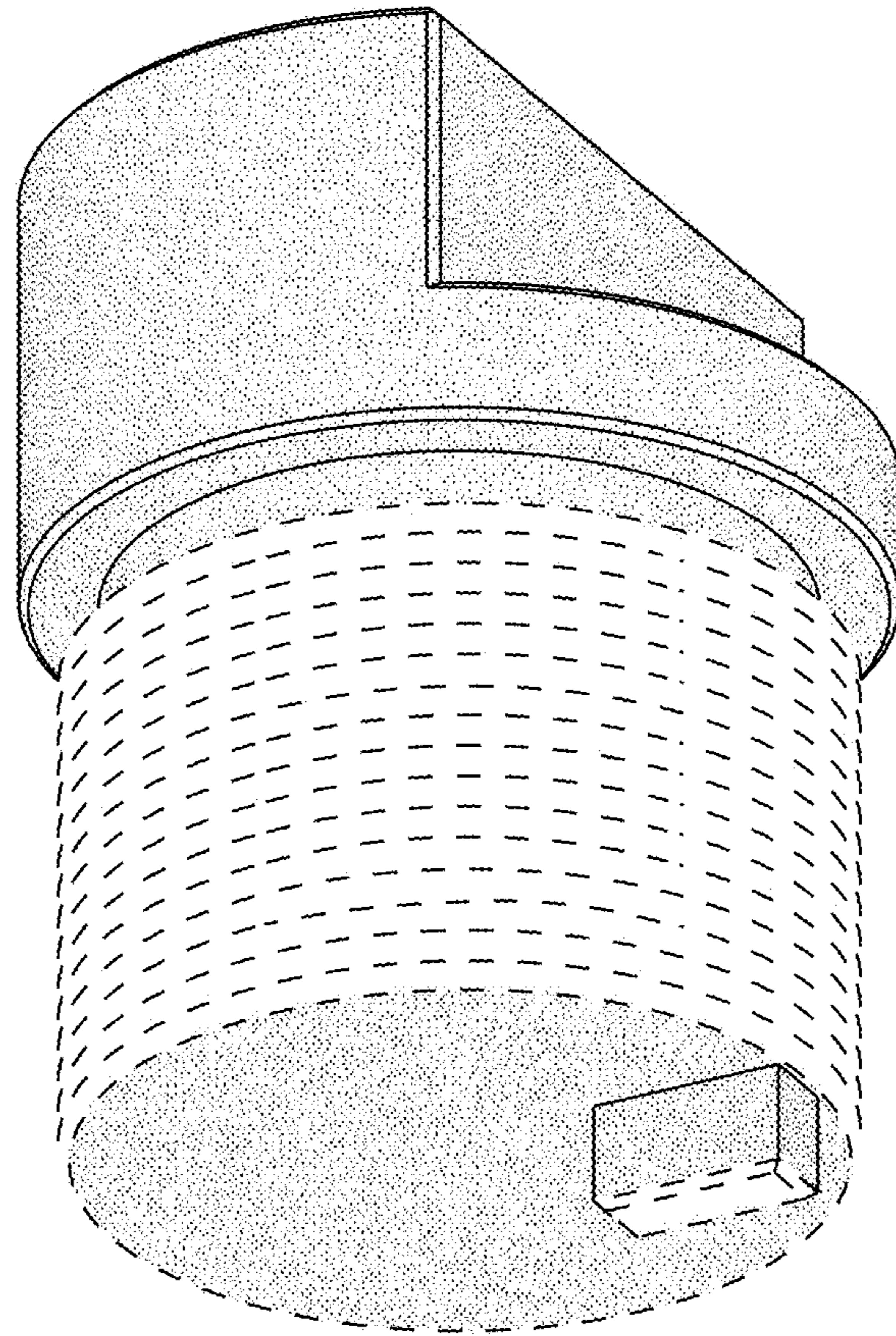


FIG.2

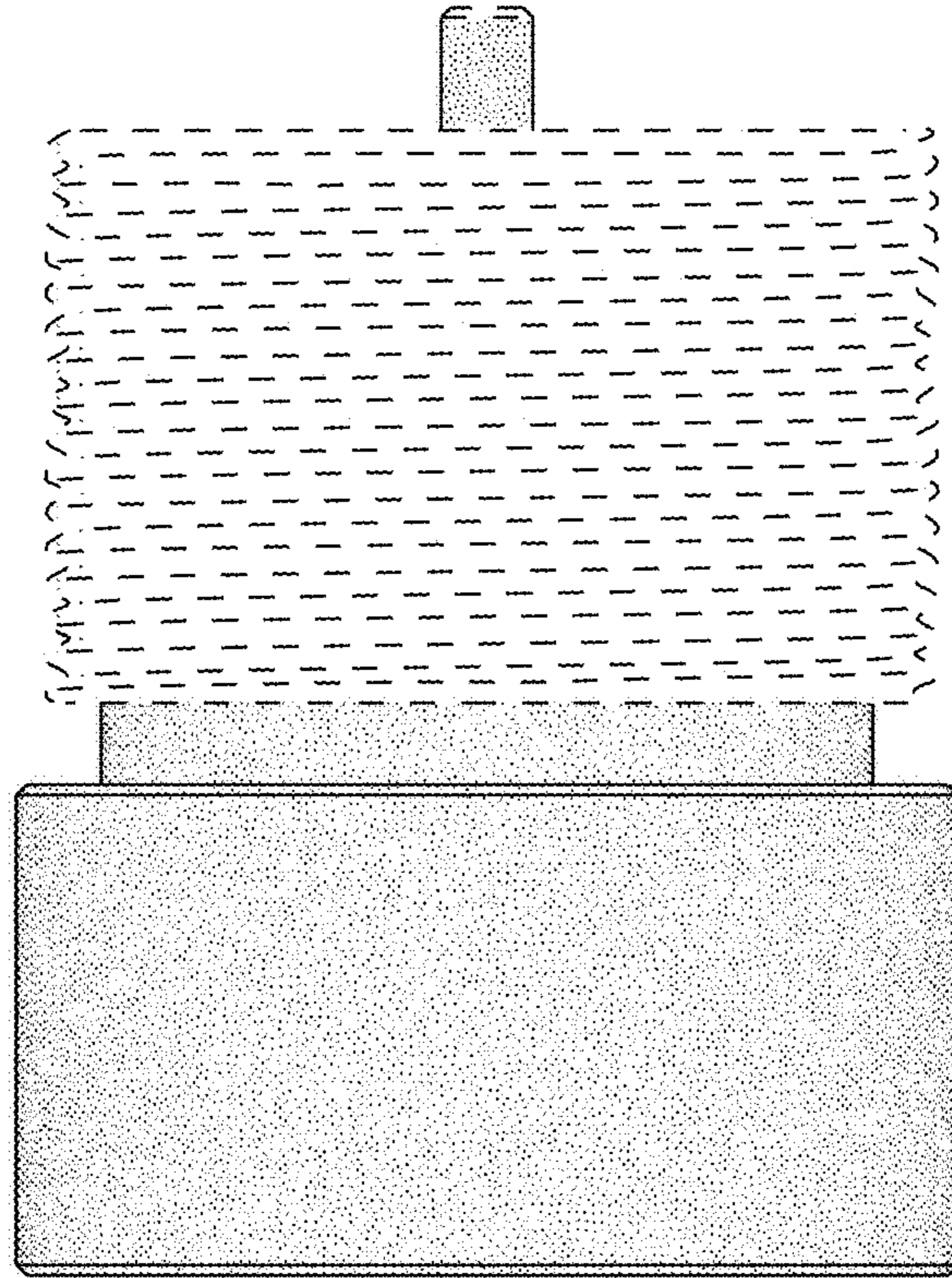


FIG.3

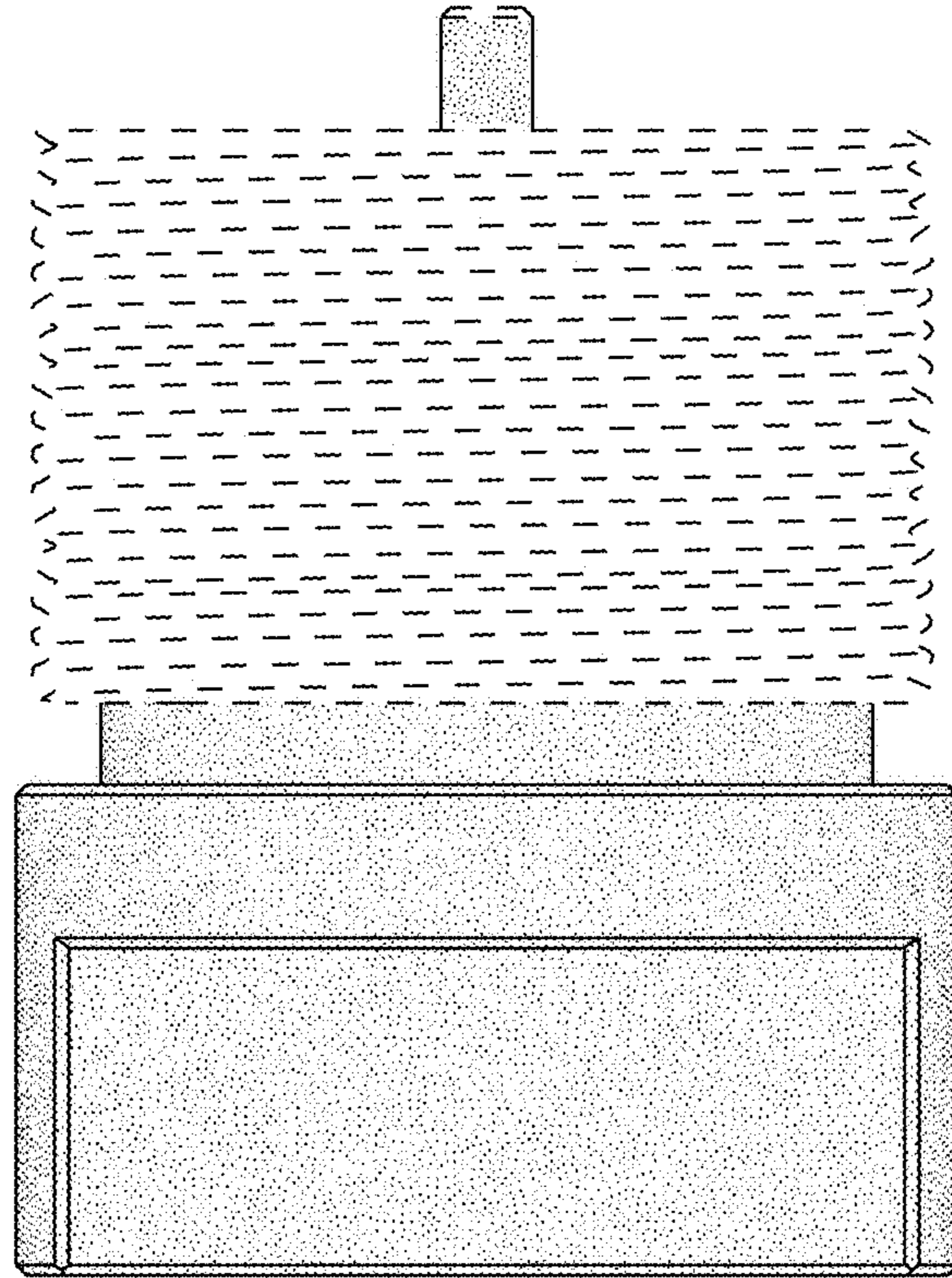


FIG.4

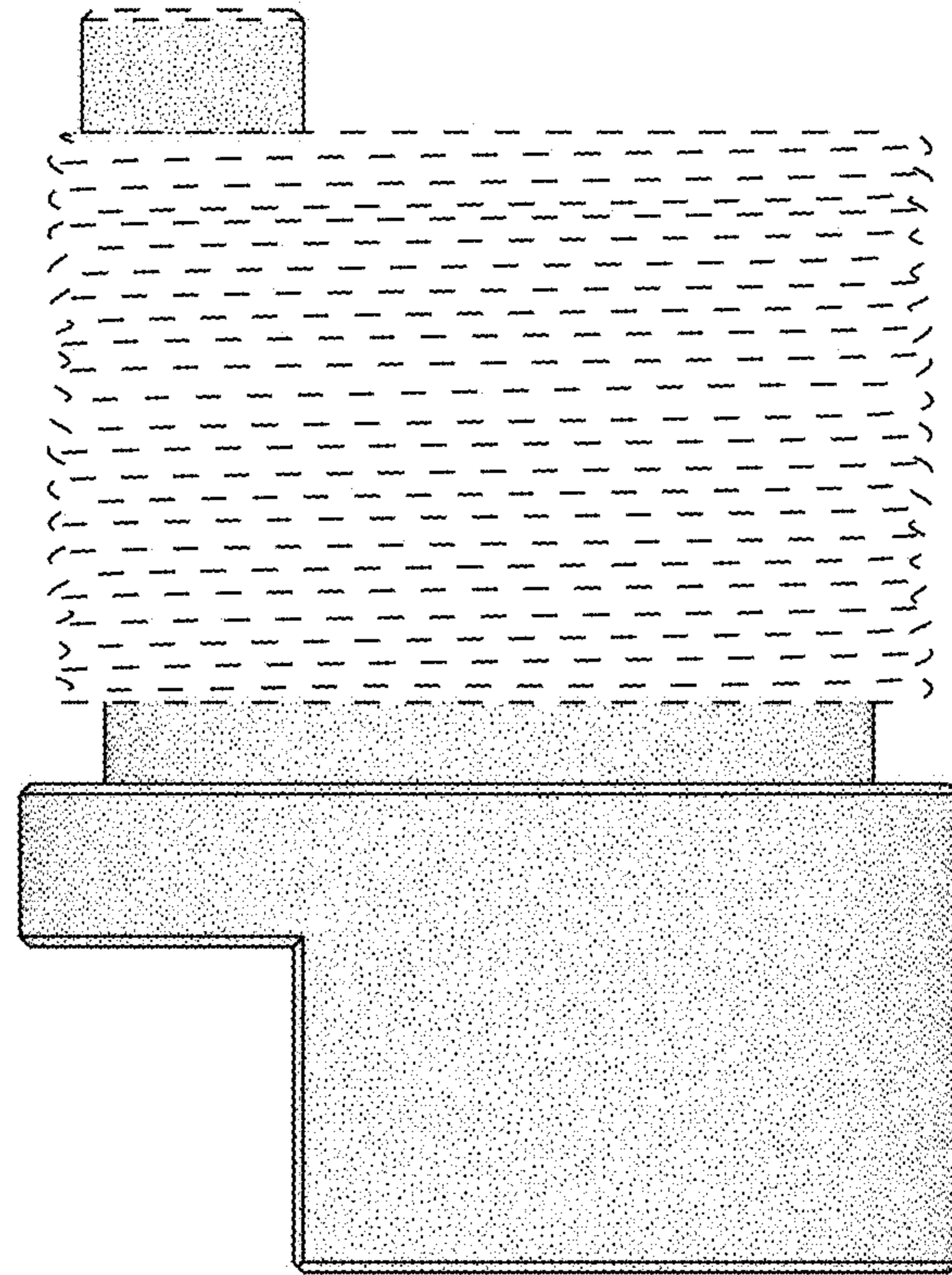


FIG.5

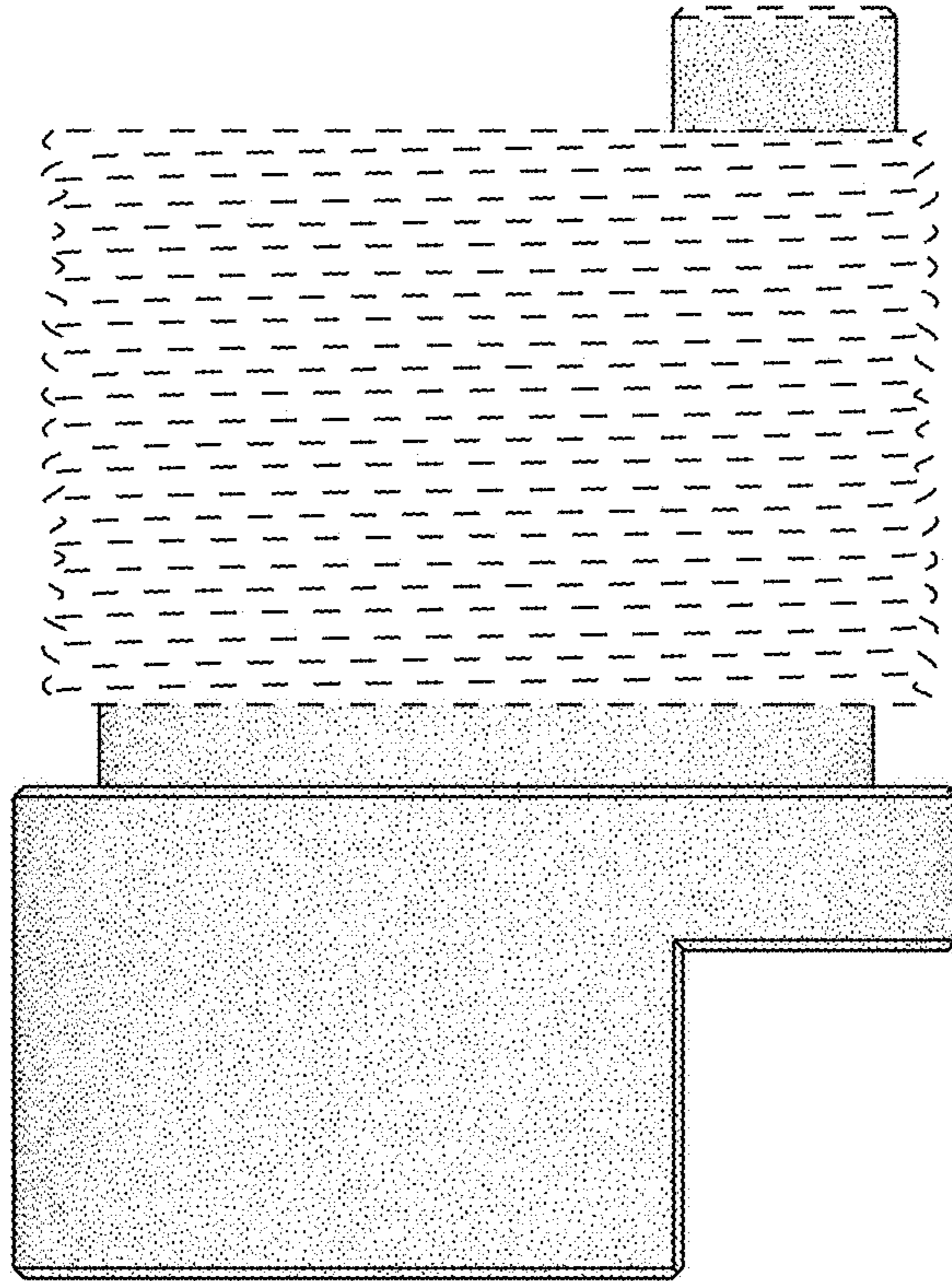


FIG.6

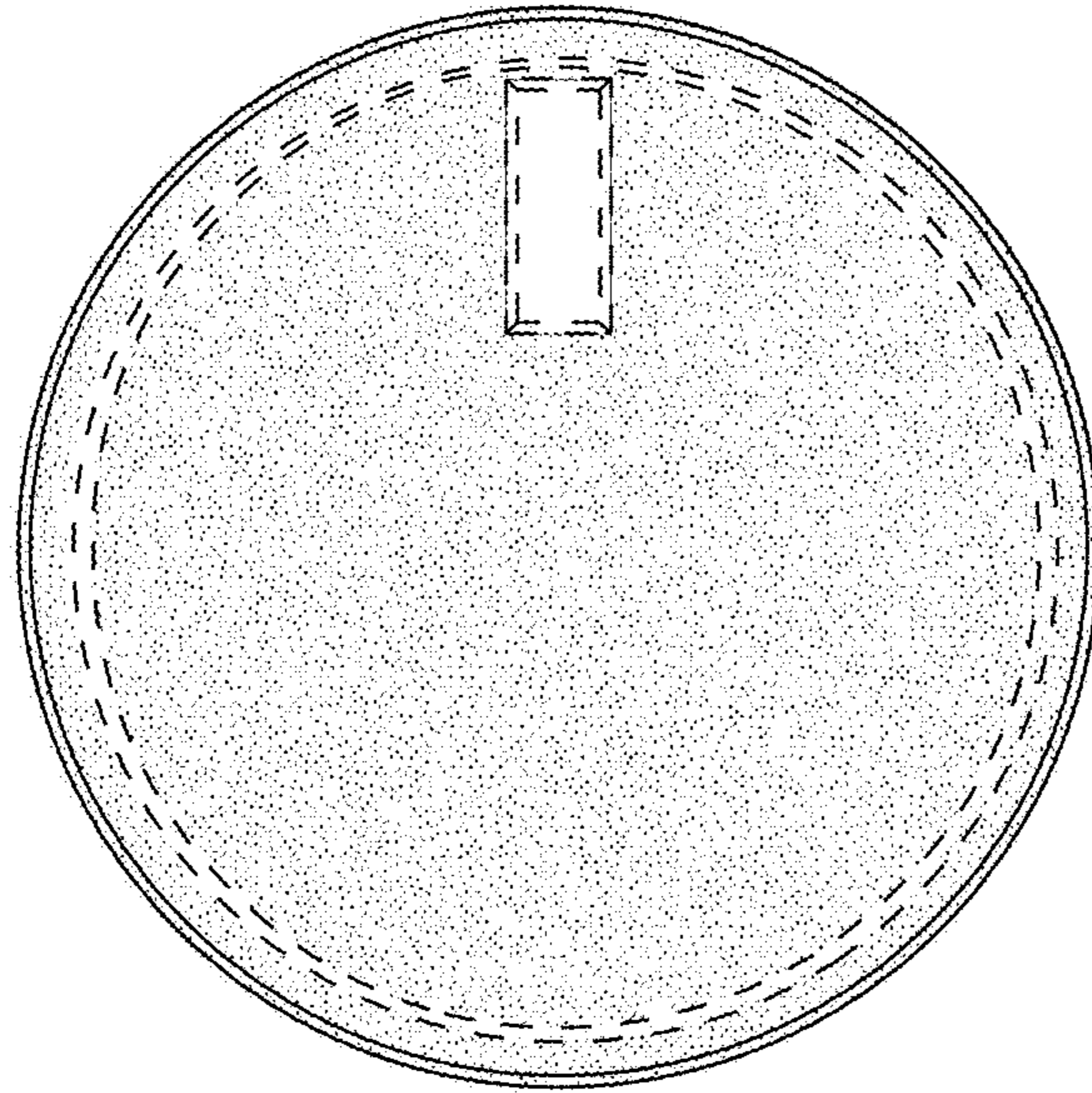


FIG.7

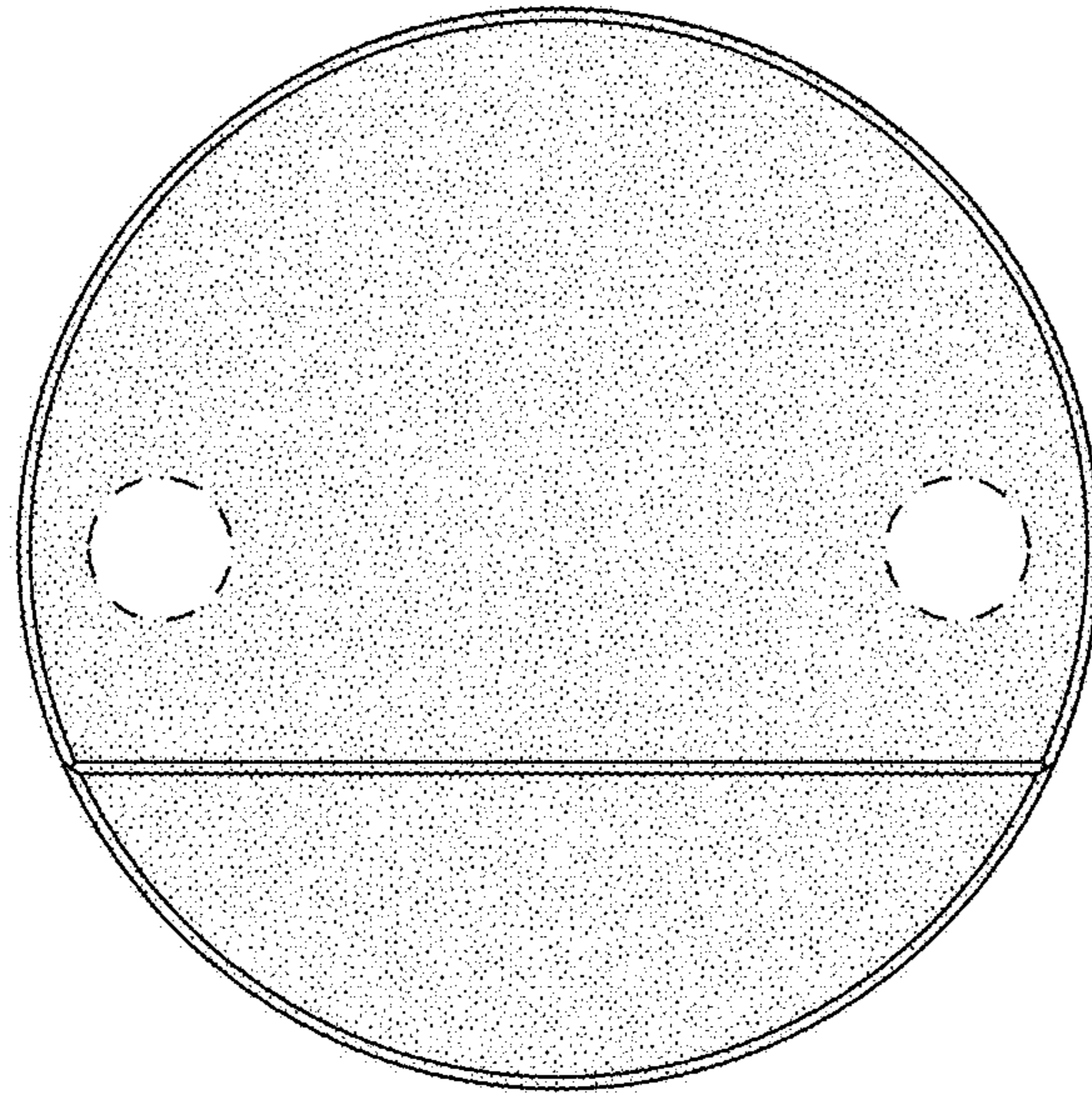


FIG.8