



US00D954753S

(12) **United States Design Patent** (10) **Patent No.:** **US D954,753 S**
Torline et al. (45) **Date of Patent:** **** Jun. 14, 2022**

(54) **FUEL PUMP**
(71) Applicant: **Great Plains Industries, Inc.**, Wichita, KS (US)
(72) Inventors: **John Torline**, Derby, KS (US); **Taylor Goldsmith**, Cheney, KS (US)
(73) Assignee: **Great Plains Industries, Inc.**, Wichita, KS (US)
(**) Term: **15 Years**
(21) Appl. No.: **29/739,721**

D697,532 S * 1/2014 Varini D15/7
D725,153 S * 3/2015 Berry D15/7
D815,152 S * 4/2018 Berry D15/7
10,418,878 B2 * 9/2019 Berry H02K 7/14
D877,202 S * 3/2020 Currier D15/7
D877,778 S * 3/2020 Kencevski D15/7
D884,034 S * 5/2020 Wang D15/7

(22) Filed: **Jun. 29, 2020**
(51) **LOC (13) Cl.** **15-02**
(52) **U.S. Cl.**
USPC **D15/9.1**
(58) **Field of Classification Search**
USPC D23/206, 213, 214, 225, 231, 232, 387,
D23/421; D15/7-9.1, 21, 199
CPC F04D 15/0088; F04D 15/0066; F04D
15/0245; F04D 3/00; F04D 3/005; F04D
3/02; F04D 13/06; F04D 29/041; F04D
29/22; F04D 29/60; F04D 29/605; F04B
2203/0208; F04B 17/03; F04B 17/046;
F04B 17/048; F04B 35/04; F04B 43/04;
F04B 43/043
See application file for complete search history.

OTHER PUBLICATIONS

Fuelworks, 10305708A 12V 15GPM Fuel Transfer Pump Kit with 14' Hose, Extensible Suction Tube and Manual Nozzle, (first available date Oct. 6, 2016), Amazon.com, URL:<<https://www.amazon.com/Fuelworks-10305708A-Transfer-Extensible-Suction/dp/B01LXS9XNW/>> (Year: 2016).*

(Continued)

Primary Examiner — Calvin E Vansant
Assistant Examiner — Mark T. Philipps
(74) *Attorney, Agent, or Firm* — Husch Blackwell LLP

(56) **References Cited**

U.S. PATENT DOCUMENTS

D308,209 S * 5/1990 Laqua D15/7
5,601,413 A * 2/1997 Langley F04B 49/02
222/63
D644,555 S * 9/2011 Dixon D15/7
D650,813 S * 12/2011 Varini D15/7
D680,134 S * 4/2013 Fordyce D15/7
D682,885 S * 5/2013 Varini D15/7
D684,998 S * 6/2013 Southwood D15/7

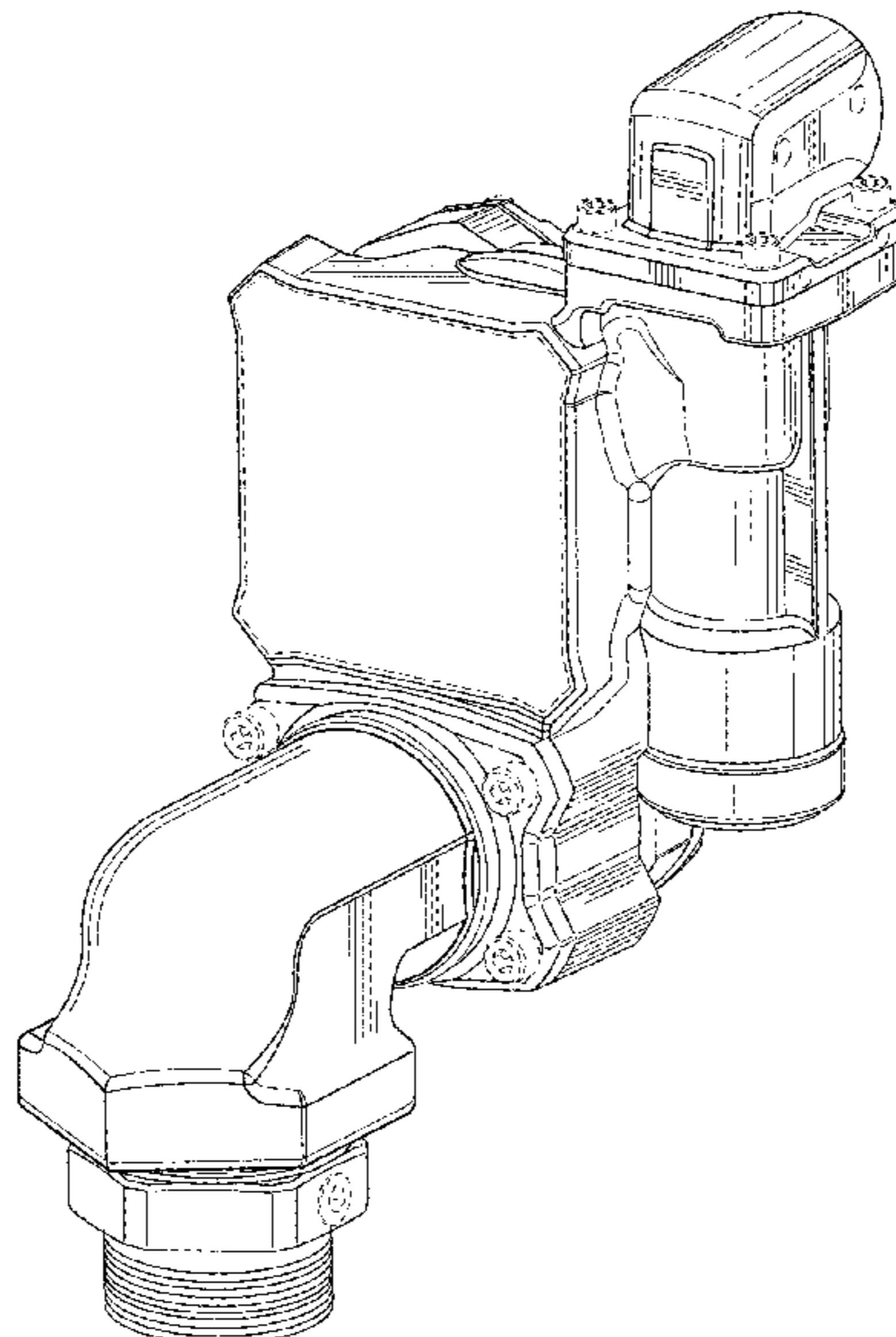
(57) **CLAIM**

We claim the ornamental design for a fuel pump, as shown and described.

DESCRIPTION

FIG. 1 is a front perspective view of a fuel pump according to our new design;
FIG. 2 is a front elevation view thereof;
FIG. 3 is a rear elevation view thereof;
FIG. 4 is a right side elevation view thereof;
FIG. 5 is a left side elevation view thereof;
FIG. 6 is a top plan view thereof; and
FIG. 7 is a bottom plan view thereof; and,
FIG. 8 is a front perspective view of the fuel pump with a motor illustrated in broken lines to illustrate placement of an example motor.
The broken lines in the figures illustrate unclaimed environment and form no part of the claimed design.

1 Claim, 7 Drawing Sheets



(56)

References Cited

OTHER PUBLICATIONS

GPI Global, "Introducing the Next Generation Modular Vane Pump: The GPRO V25", (posted on Nov. 10, 2020), Instagram.com, URL: <<https://www.instagram.com/p/CHbSO3plioZ/>> (Year: 2020).*

GPRO Store, V25 Fuel Transfer Pump, Pump Only, 12 Volt, 25 GPM, (date first available Aug. 5, 2020), Amazon.com, URL: <<https://www.amazon.com/GPRO-Fuel-Transfer-Pump-170000-01/dp/B08FBNHGYS/>> (Year: 2020).*

* cited by examiner

FIG. 1

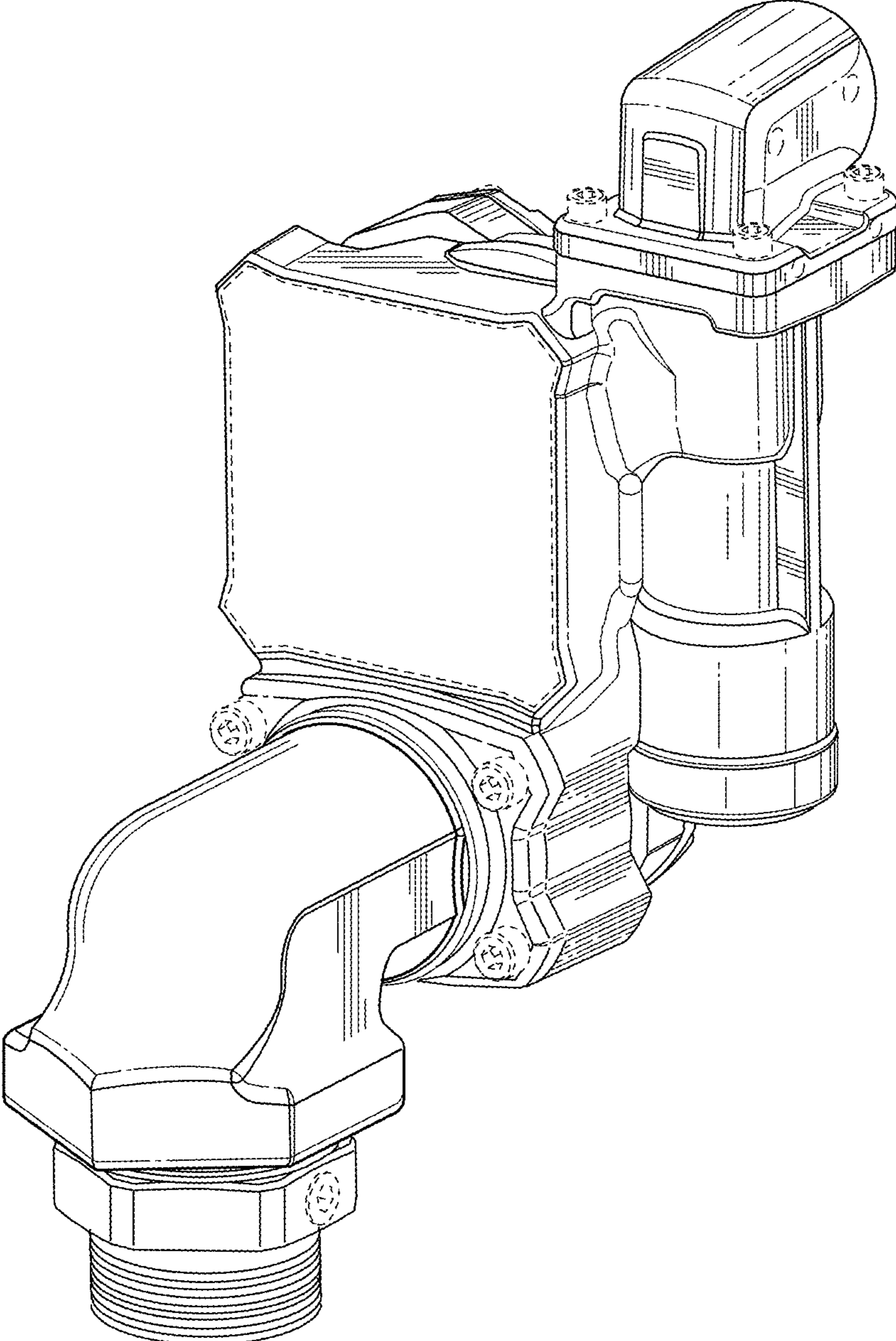


FIG. 2

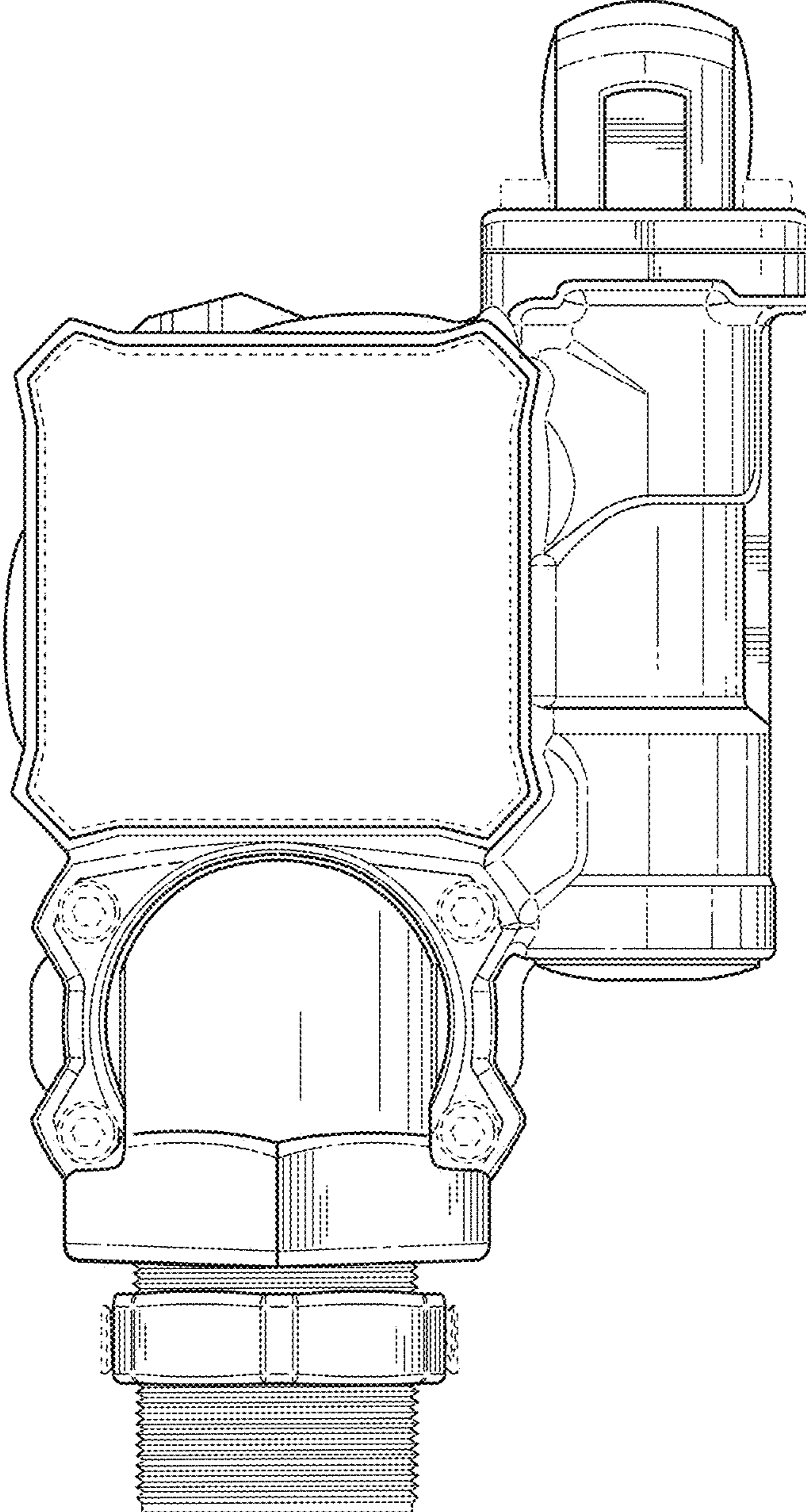


FIG. 3

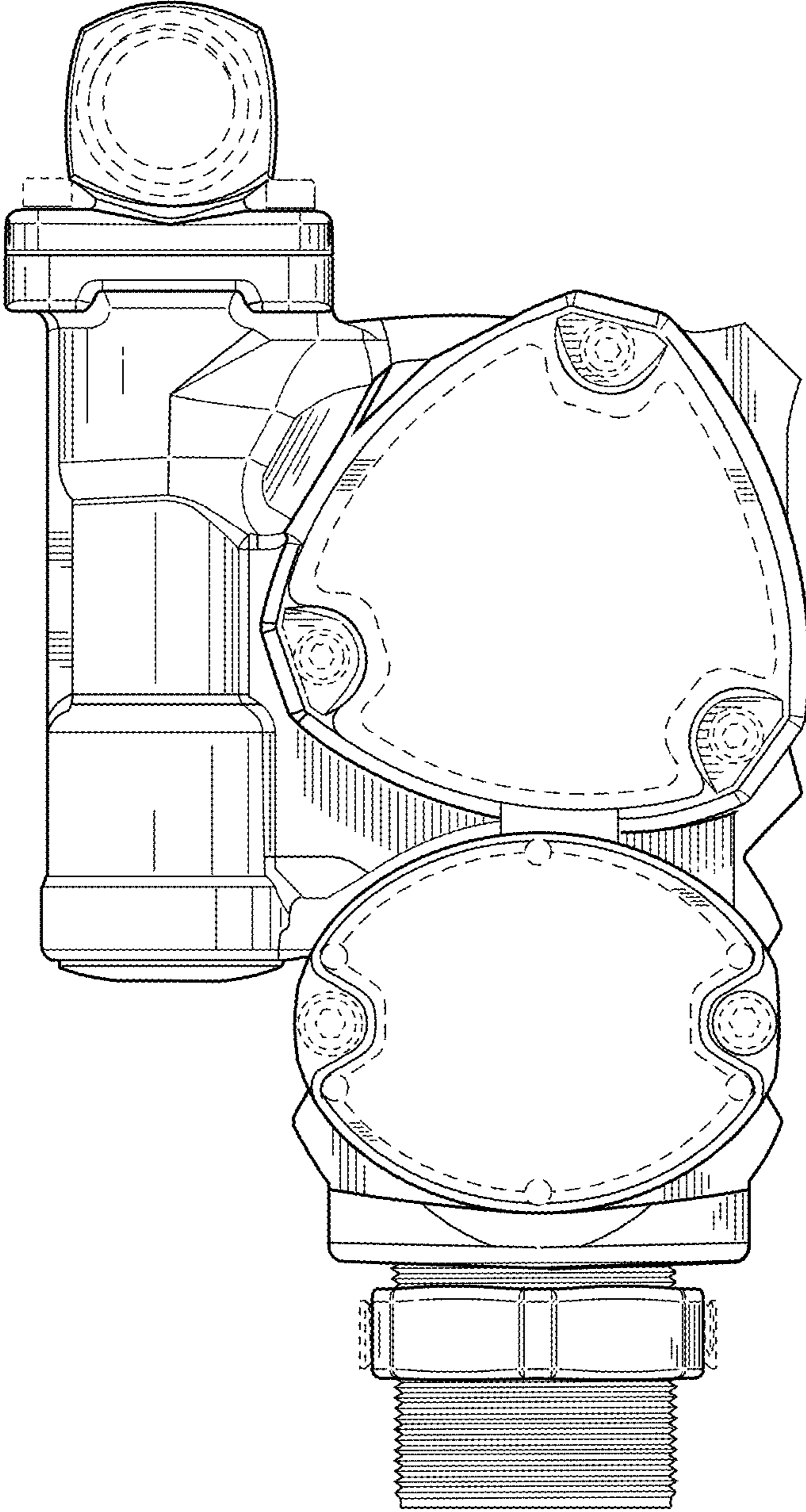


FIG. 4

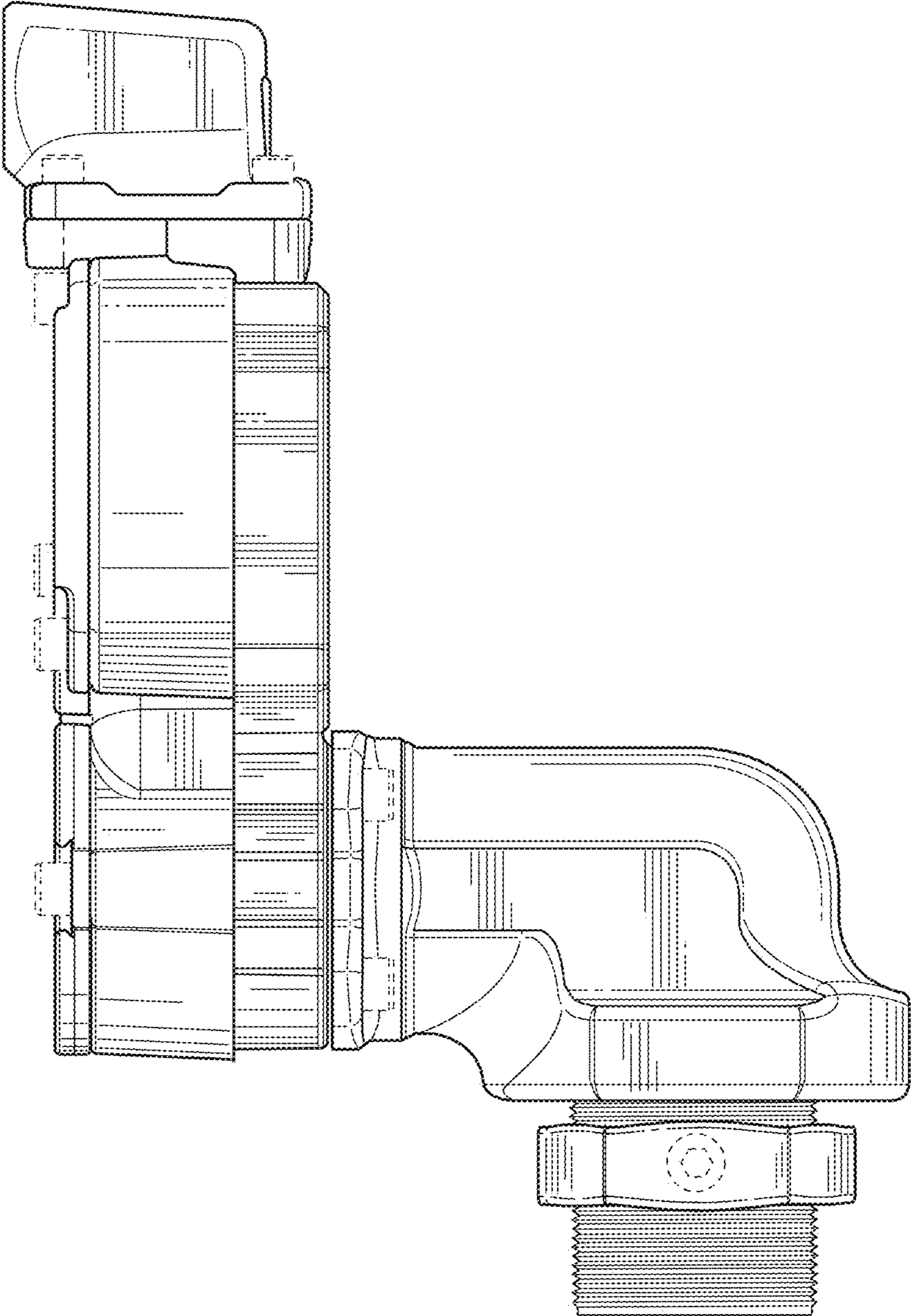


FIG. 5

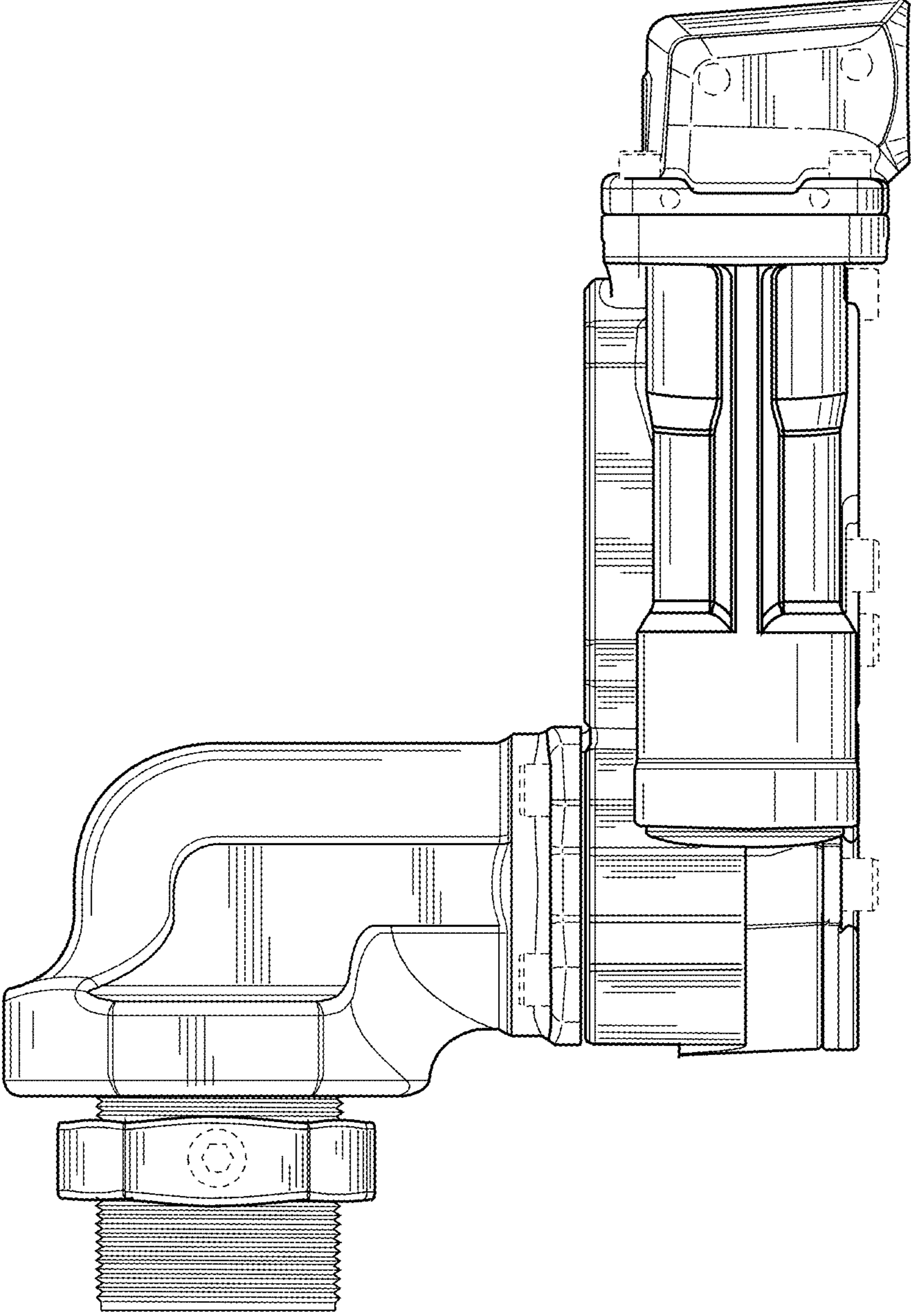


FIG. 6

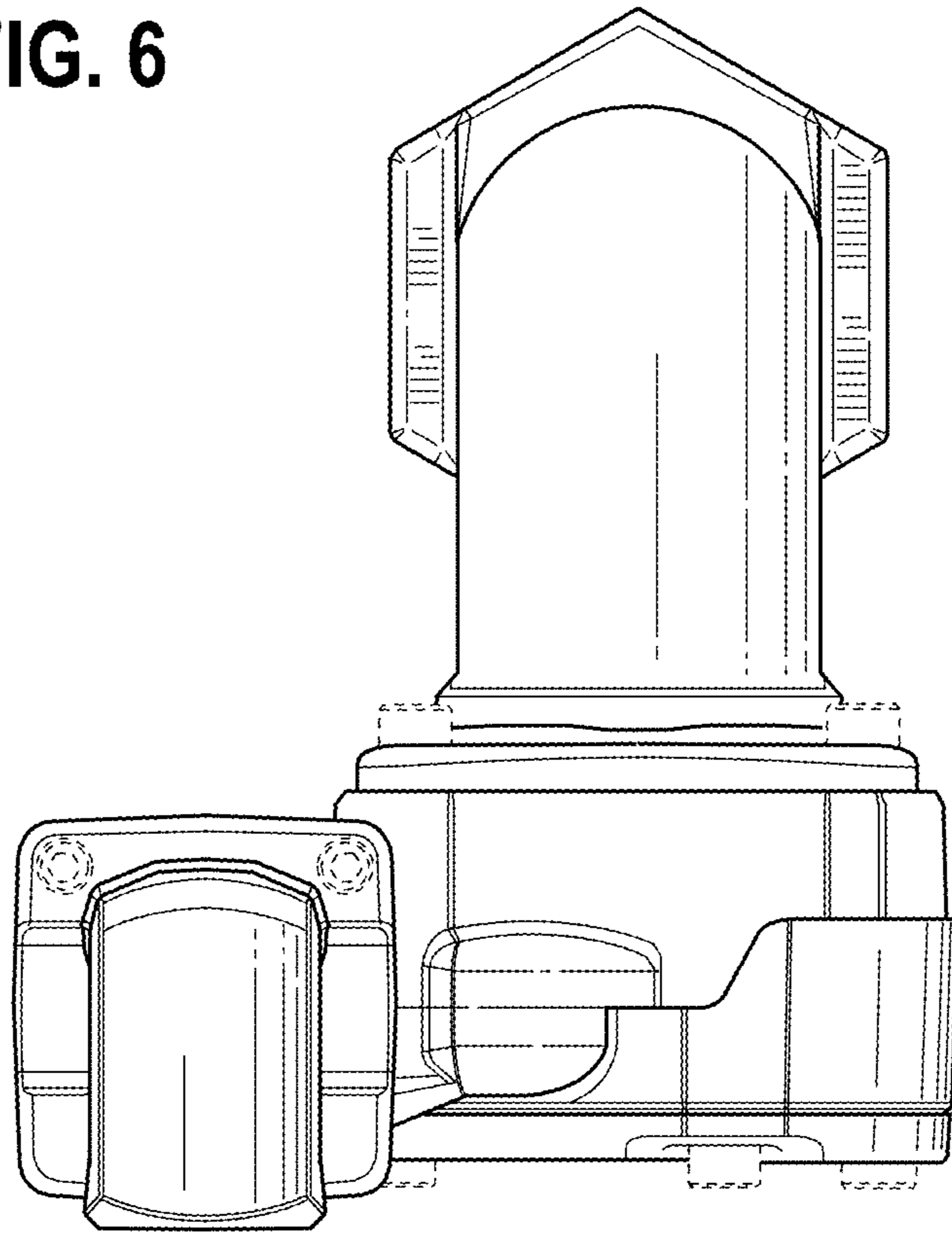


FIG. 7

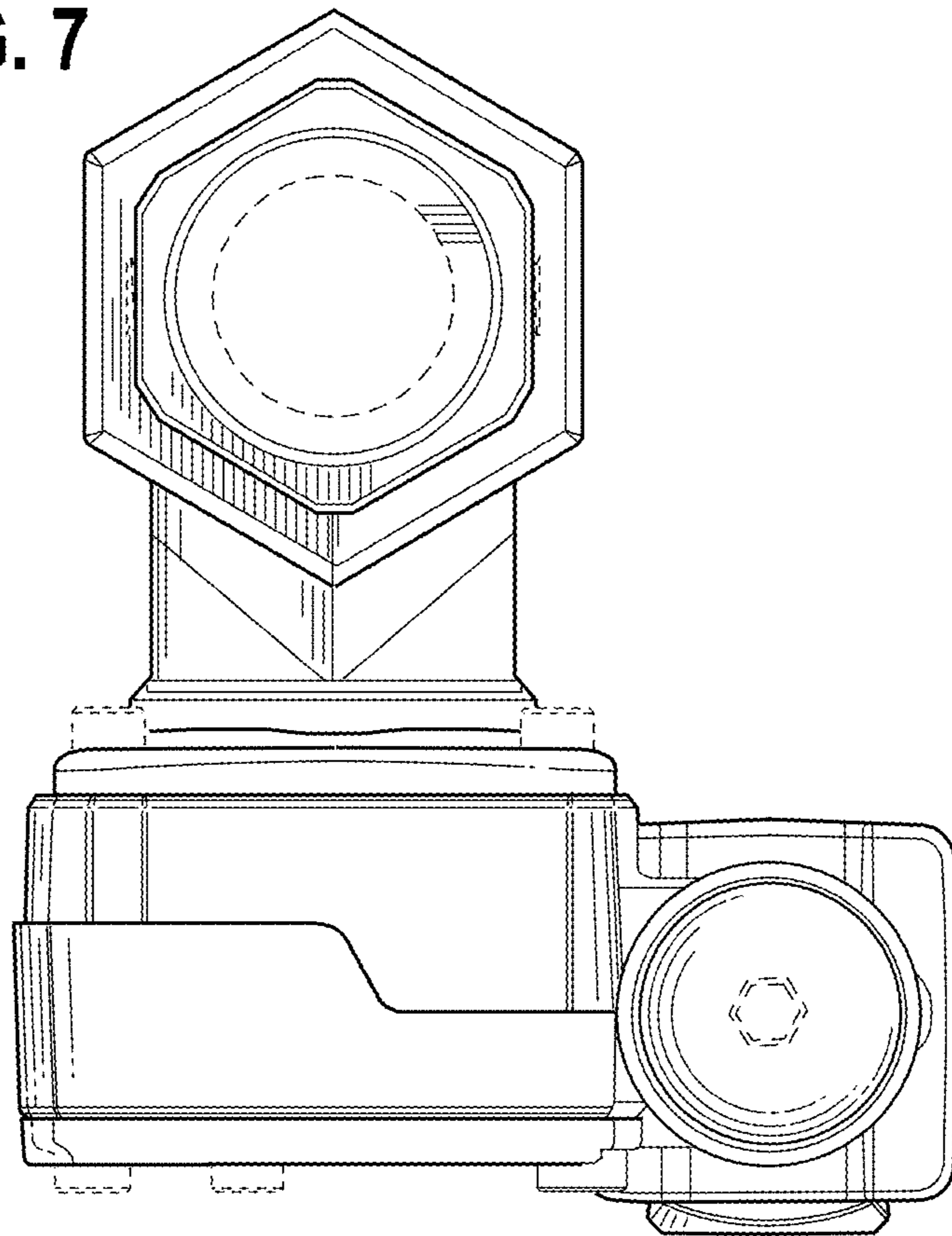


FIG. 8

