



US00D954752S

(12) **United States Design Patent** (10) **Patent No.:** **US D954,752 S**
Yu (45) **Date of Patent:** **** Jun. 14, 2022**

(54) **GAS PUMP HANDLE**

(71) Applicant: **Antonio Yu**, Chino Hills, CA (US)

(72) Inventor: **Antonio Yu**, Chino Hills, CA (US)

(**) Term: **15 Years**

(21) Appl. No.: **29/739,619**

(22) Filed: **Jun. 27, 2020**

(51) **LOC (13) Cl.** **15-02**

(52) **U.S. Cl.**
USPC **D15/9.1**

(58) **Field of Classification Search**
USPC D9/500, 516, 527–531, 535, 763–783;
D23/213–215, 223, 224, 226, 229, 230;
D15/7, 9.1–9.3
CPC A61H 9/0021; A61H 33/00; B05B 1/00;
B05B 1/02; B05B 1/08; B05B 1/11;
B05B 1/26; B05B 1/185; B05B 12/002;
B05B 9/01; F16L 37/00; F16L 37/46;
F17C 13/12; F17C 2205/0376
See application file for complete search history.

(56) **References Cited**

U.S. PATENT DOCUMENTS

2,800,931	A *	7/1957	Sutcliffe	B67D 7/42
					141/392
D223,915	S *	6/1972	Brown et al.	D23/226
4,465,209	A *	8/1984	Wilder	B67D 7/426
					141/390
D301,366	S *	5/1989	Fink, Jr.	D23/226
D317,969	S *	7/1991	Lambert	D23/226
D321,036	S *	10/1991	Jacobs	D23/226
5,184,655	A *	2/1993	Fell	B67D 7/426
					141/392
D341,595	S *	11/1993	Strock	D23/226
D342,742	S *	12/1993	Daul	D23/226
7,017,630	B2 *	3/2006	Dikken	B67D 7/3209
					141/386
7,234,614	B1 *	6/2007	Knight	B67D 7/42
					137/312

(Continued)

OTHER PUBLICATIONS

Husky, X-Mate Automatic Fuel Nozzle, (site visited Dec. 4, 2021), Commercial Fuel Solutions website, URL:<https://www.commercialfuelsolutions.co.uk/equipment/fuel_nozzle/husky/x-mate.html> (Year: 2021).*

(Continued)

Primary Examiner — Calvin E Vansant

Assistant Examiner — Mark T. Philipps

(74) *Attorney, Agent, or Firm* — John D. Tran; Rhema Law Group

(57) **CLAIM**

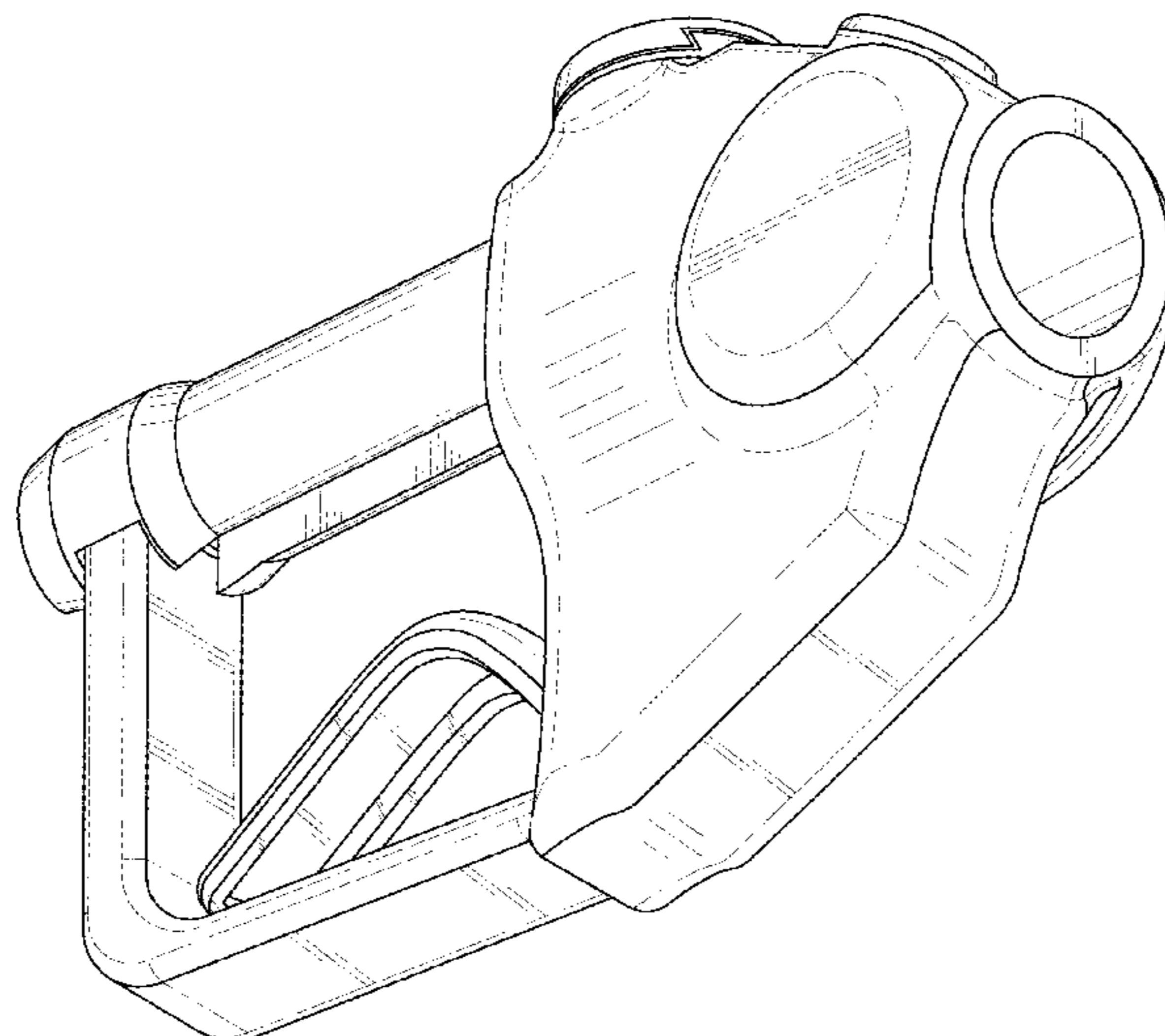
The ornamental design for a gas pump handle, as shown and described.

DESCRIPTION

FIG. 1 is a perspective front right view of the ornamental design for a gas pump handle;
FIG. 2 is a perspective front left view of the ornamental design for a gas pump handle;
FIG. 3 is a side view of the ornamental design for a gas pump handle;
FIG. 4 is a front view of the ornamental design for a gas pump handle;
FIG. 5 is a back view of the ornamental design for a gas pump handle;
FIG. 6 is a bottom view of the ornamental design for a gas pump handle; and,
FIG. 7 is a top view of the ornamental design for a gas pump handle.

The broken lines in the drawings depict portion of the gas pump handle that form no part of the claimed design. The lighter weight random pattern broken lines illustrate contours of the gas pump handle and are not intended to depict surface pattern.

1 Claim, 7 Drawing Sheets



(56)

References Cited

U.S. PATENT DOCUMENTS

D637,268 S * 5/2011 Yorns D23/213
8,066,037 B2 * 11/2011 Lawrence B67D 7/421
141/311 A
D650,047 S * 12/2011 Varini D23/226
D656,221 S * 3/2012 Gevers D23/226
D684,664 S * 6/2013 Gevers D23/226
D728,736 S * 5/2015 Dhuru D23/213
D782,001 S * 3/2017 Birch D23/211.2
D893,676 S * 8/2020 Lucas D23/226
2010/0224280 A1 * 9/2010 Burris F16K 23/00
141/1

OTHER PUBLICATIONS

Fill-Rite, N100DAU13G Ultra High Flow Automatic Nozzle, 1" Length, (first available Jun. 2, 2007), Amazon.com, URL:<<https://www.amazon.com/Fill-Rite-N100DAU13G-19-150-Automatic-Nozzle/dp/B00C4NSO5O>> (Year: 2007).*

Husky, 173310N-03 New VIII Heavy Duty Diesel Nozzle, (first available May 13, 2013), Amazon.com, URL:<<https://www.amazon.com/Husky-173310N-03-Heavy-Diesel-Nozzle/dp/B00CMG5BVI>> (Year: 2013).*

Generico, ¾ fuel nozzle with automatic shut-off, for petroleum, biodiesel, gasoline, diesel, (first available Feb. 23, 2021), Amazon.com, URL:<<https://www.amazon.com/automatic-shut-off-petroleum-biodiesel-gasoline/dp/B08X7KGXGY>> (Year: 2021).*

* cited by examiner

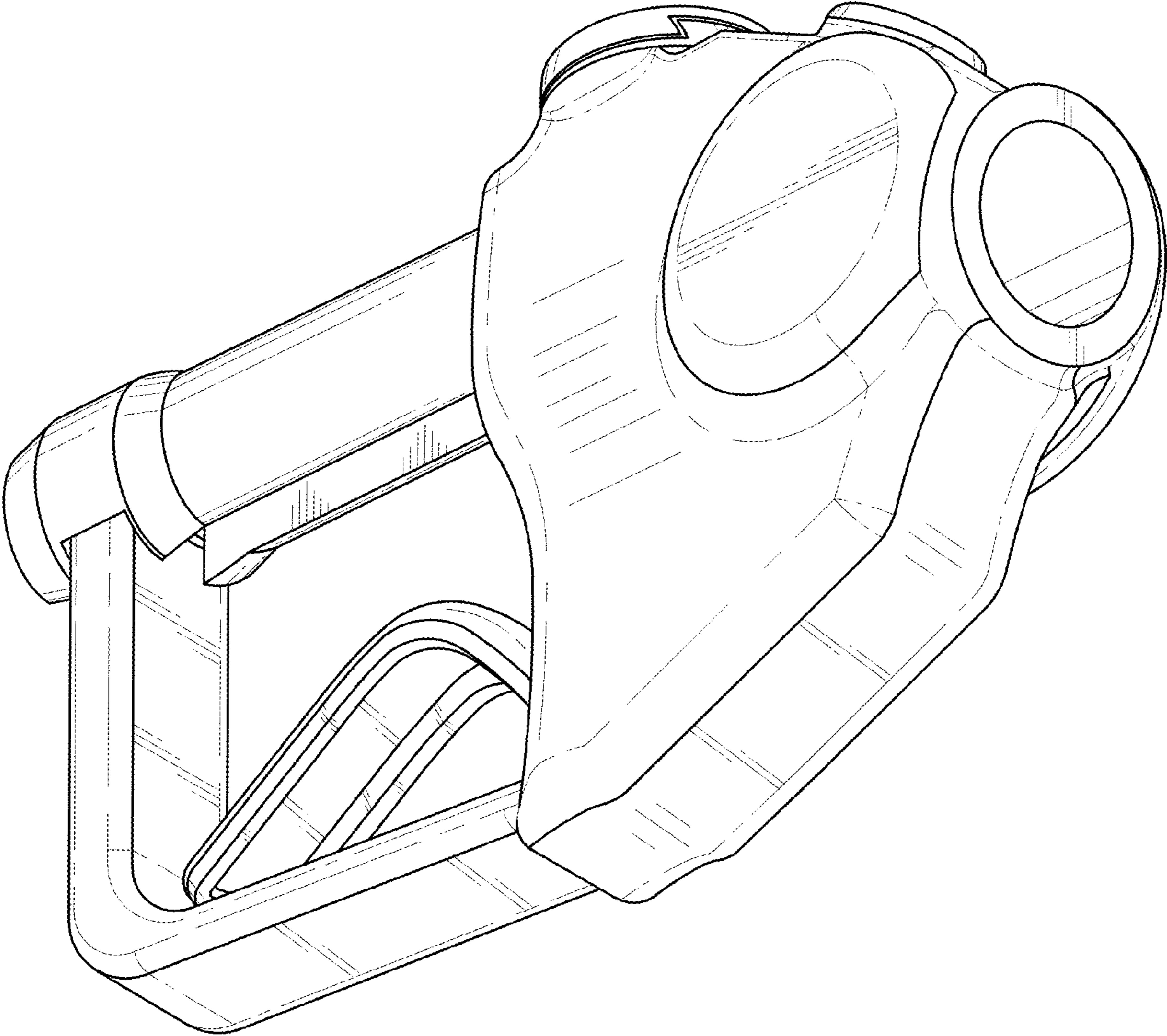


FIG. 1

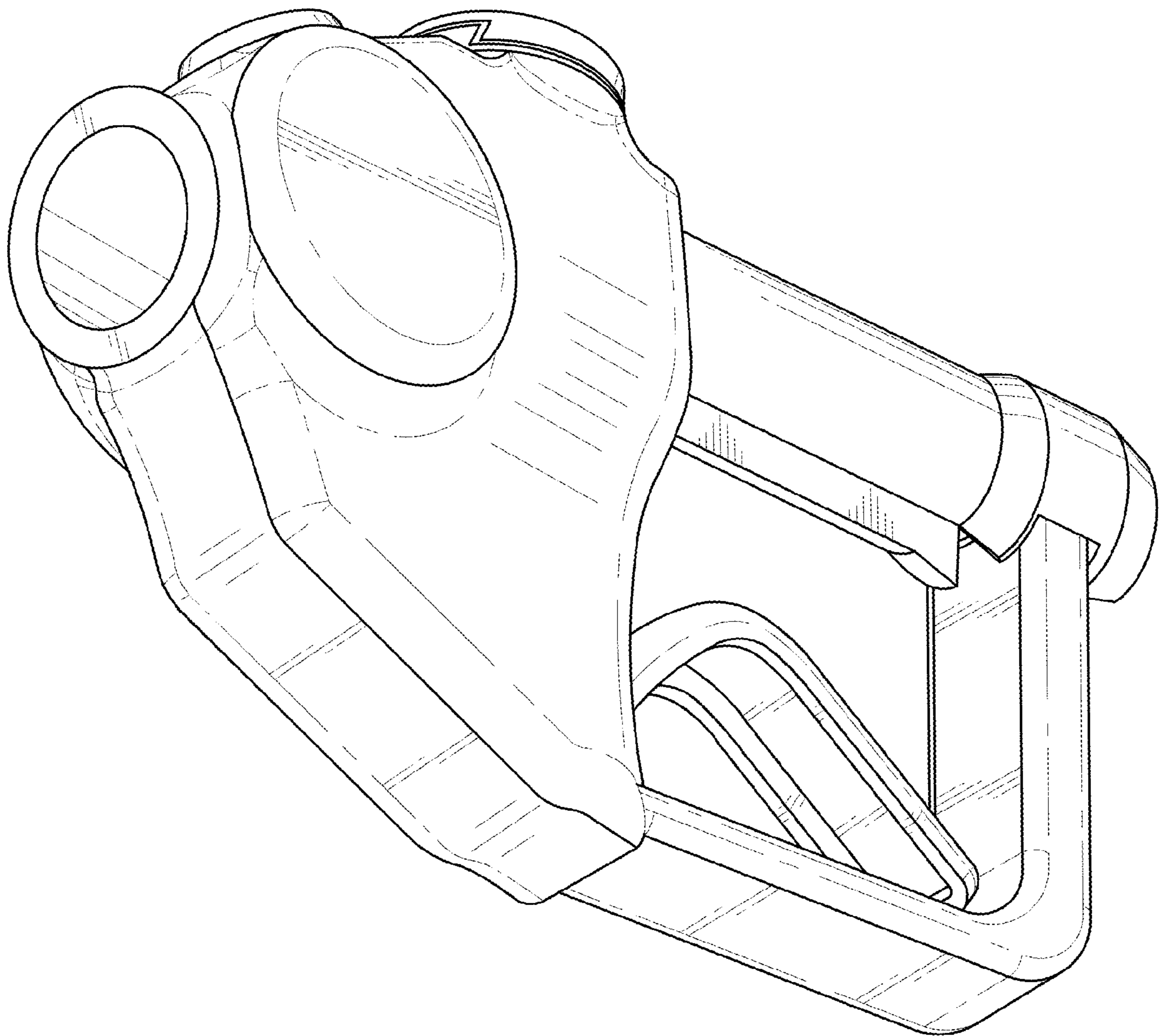


FIG. 2

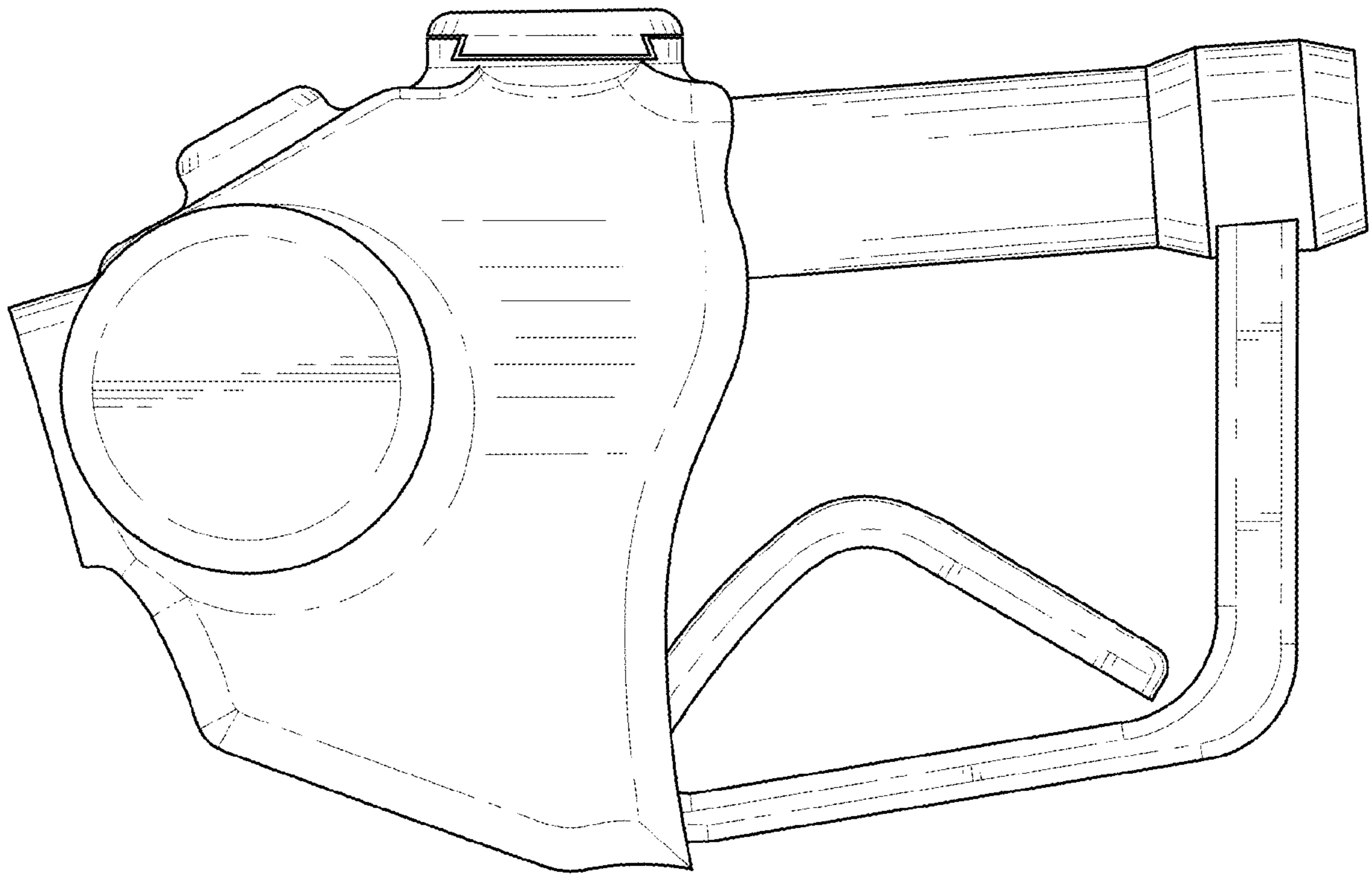


FIG. 3

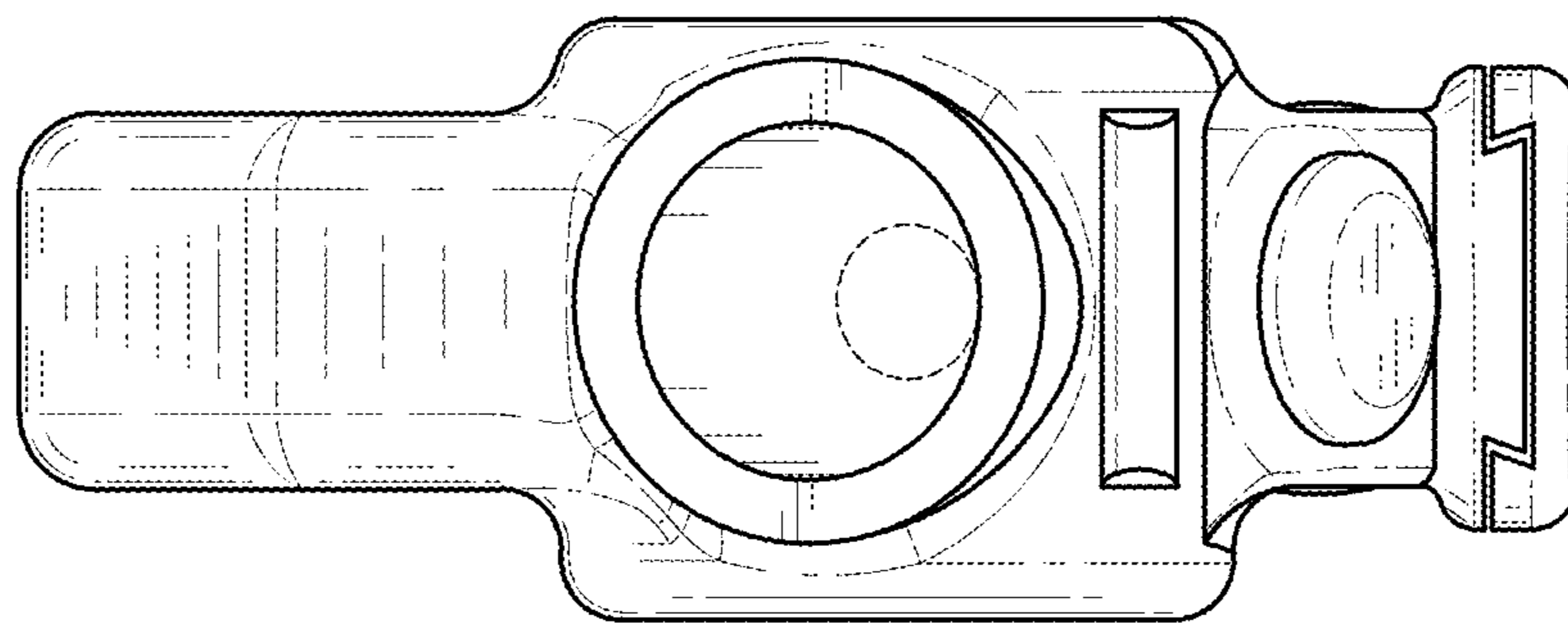


FIG. 4

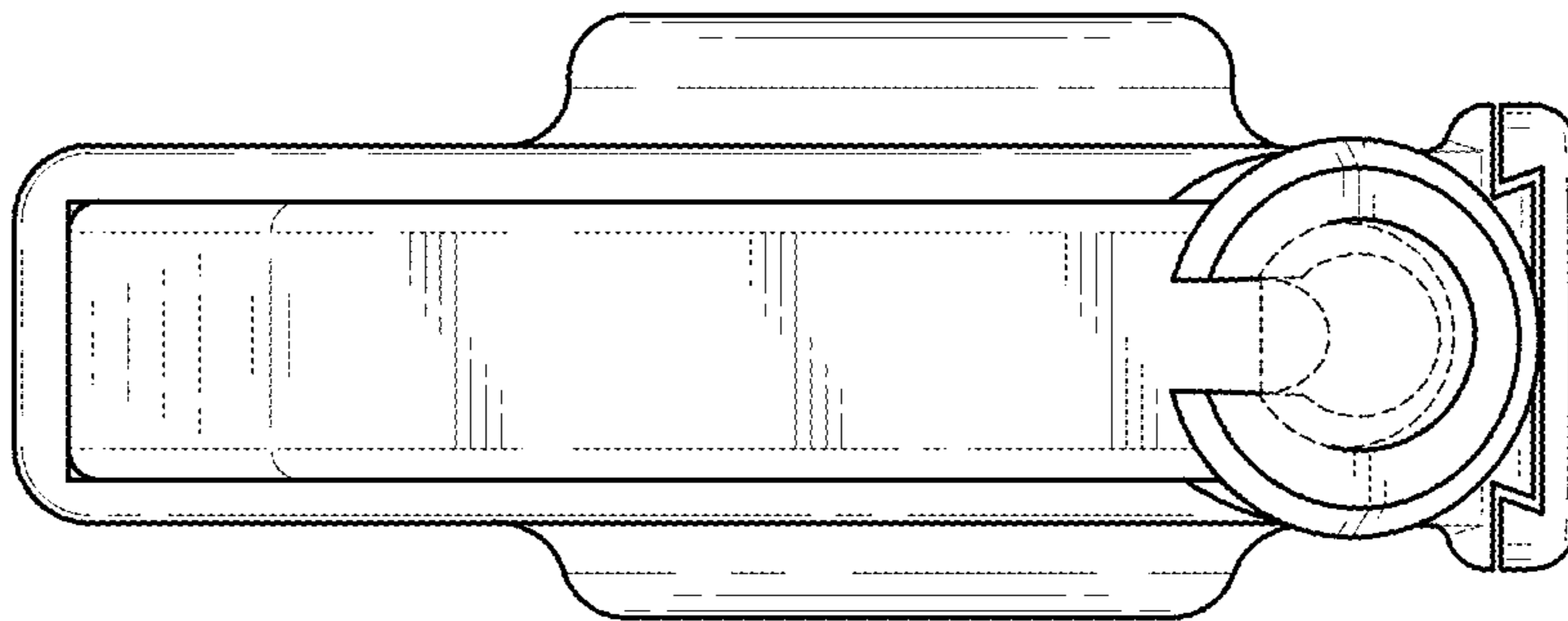


FIG. 5

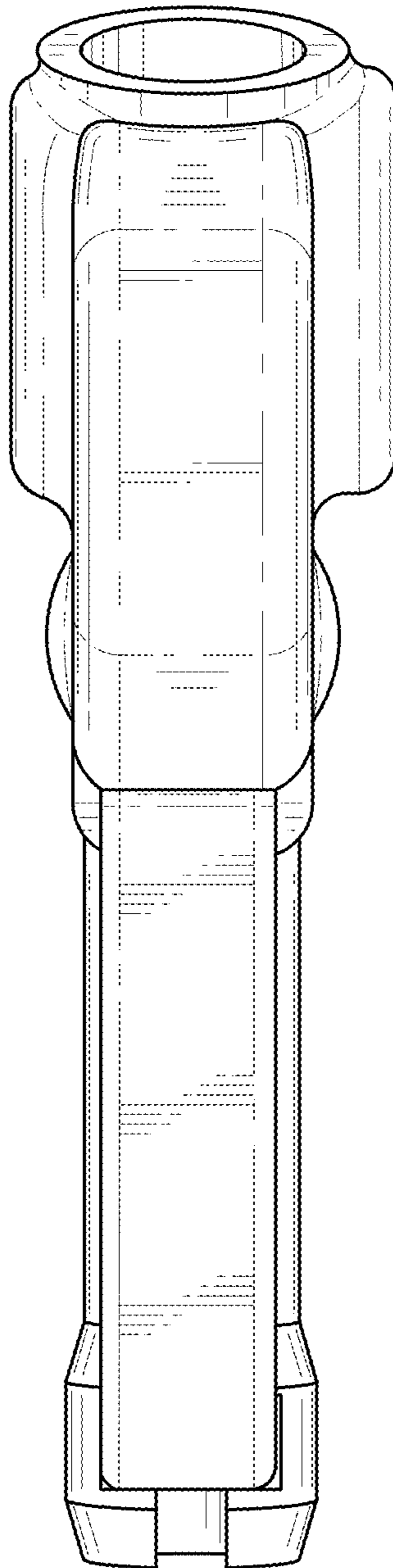


FIG. 6

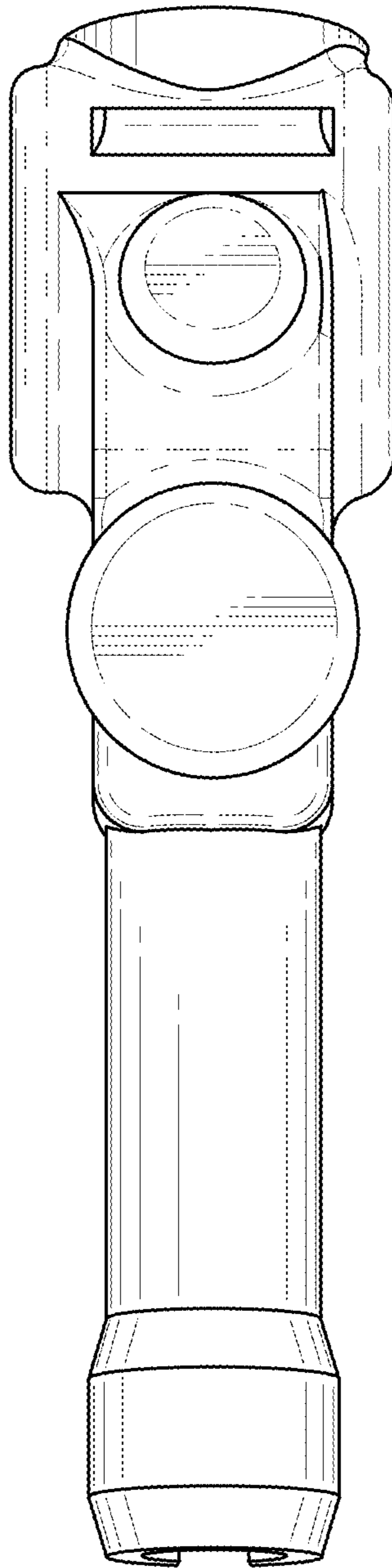


FIG. 7