



US00D954750S

(12) **United States Design Patent** (10) **Patent No.:** **US D954,750 S**
Wegner et al. (45) **Date of Patent:** **** Jun. 14, 2022**

(54) **ENGINE INCORPORATING A BLOWER HOUSING**

(56) **References Cited**

(71) Applicant: **Kohler Co.**, Kohler, WI (US)

(72) Inventors: **Brett Wegner**, Glenbeulah, WI (US);
Eric B. Hudak, Sheboygan, WI (US);
Kenneth S. Hanna, Bellingham, WA
(US); **Mark J. Huibregtse**, Elkhart
Lake, WI (US); **David Schultz**,
Manitowoc, WI (US)

(73) Assignee: **KOHLER CO.**

(**) Term: **15 Years**

(21) Appl. No.: **29/815,141**

(22) Filed: **Nov. 11, 2021**

Related U.S. Application Data

(62) Division of application No. 29/784,106, filed on May 18, 2021, now Pat. No. Des. 938,995, which is a division of application No. 29/766,815, filed on Jan. 19, 2021, now Pat. No. Des. 923,055, which is a division of application No. 29/640,416, filed on Mar. 14, 2018, now Pat. No. Des. 911,391.

(51) **LOC (13) Cl.** **15-01**

(52) **U.S. Cl.**
USPC **D15/5**

(58) **Field of Classification Search**

USPC D15/1-6, 14, 9.1, 12, 17, 28, 149;
123/22.41, 34, 51 A, 606 R, 52.1, 50 A,
123/50 B, 54.1, 54.2, 54.4, 54.5, 65 R,
123/195 R, 195 HC, 657, 311; D18/24,
D18/30
CPC F02B 2075/027; F02B 2075/1816; F02B
2075/025; F02B 2075/1808; F02B 75/20;
F02B 75/22; F02B 2275/18; F02B
2275/20; F02B 77/13; F02B 77/00; F02B
63/04

See application file for complete search history.

U.S. PATENT DOCUMENTS

| | | |
|-------------|---------|---------|
| D97,155 S | 10/1935 | Chernow |
| D97,432 S | 11/1935 | Chernow |
| D97,840 S | 12/1935 | Chernow |
| 3,822,487 A | 7/1974 | Koch |
| D379,995 S | 6/1997 | Gilmore |
| D396,045 S | 7/1998 | Neeley |
| D428,074 S | 7/2000 | Bitton |

(Continued)

Primary Examiner — Mark A Goodwin

(74) *Attorney, Agent, or Firm* — The Belles Group, P.C.

(57) **CLAIM**

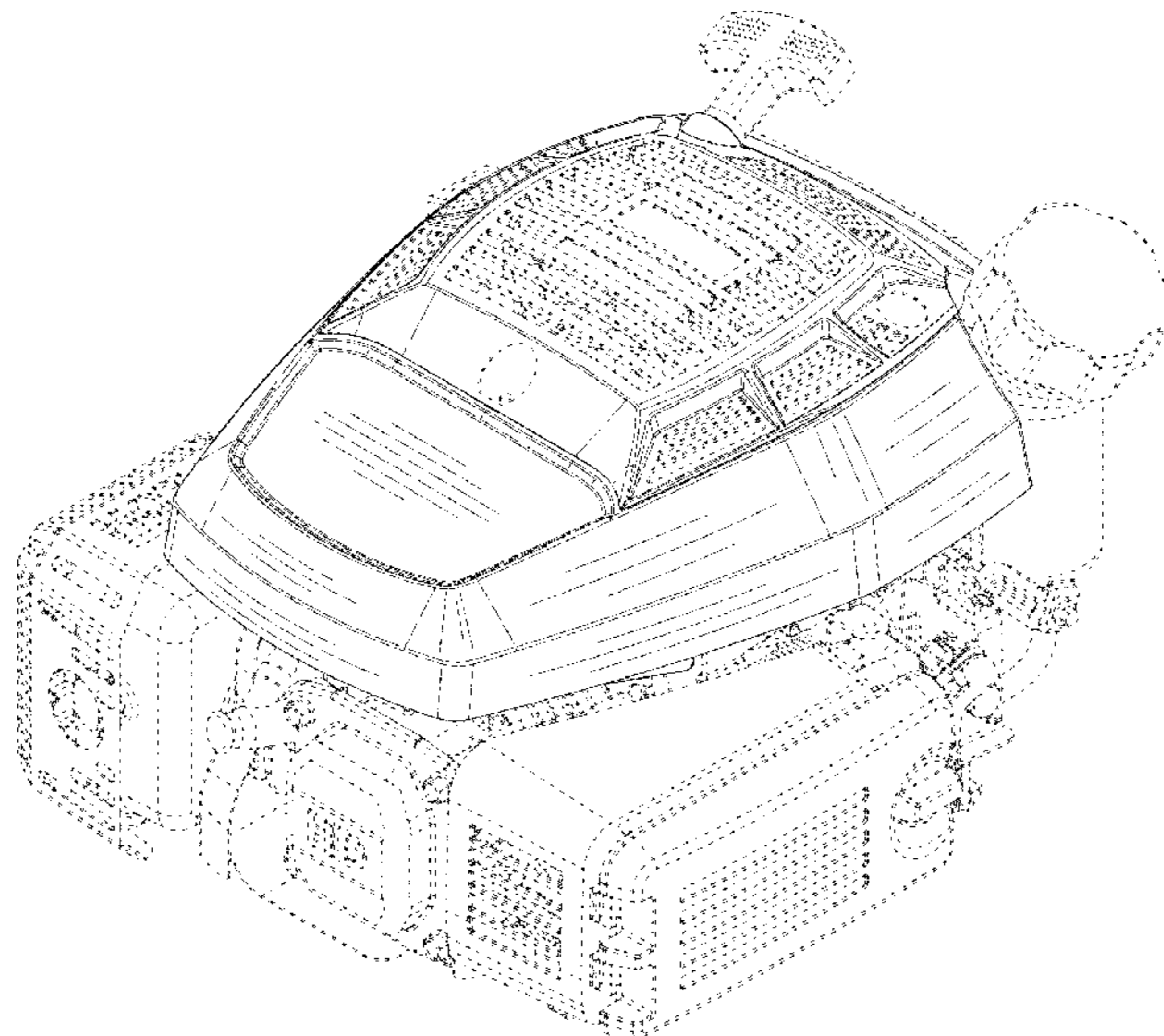
The ornamental design for an engine incorporating a blower housing, as shown and described.

DESCRIPTION

FIG. 1 is a front-right top perspective view of an engine incorporating a blower housing according to the new design; FIG. 2 is a front-left top perspective view thereof; FIG. 3 is a rear-left top perspective view thereof; FIG. 4 is a rear-right top perspective view thereof; FIG. 5 is a front-right bottom perspective view thereof; FIG. 6 is a front-left bottom perspective view thereof; FIG. 7 is a rear-left bottom perspective view thereof; FIG. 8 is a rear-right bottom perspective view thereof; FIG. 9 is a front plan view thereof; FIG. 10 is a rear plan view thereof; FIG. 11 is a right-side plan view thereof; FIG. 12 is a left-side plan view thereof; FIG. 13 is a top plan view thereof; and, FIG. 14 is a bottom plan view thereof.

The dashed lines of equal length in FIGS. 1-14 are for environmental purposes only and form no part of the claimed design.

1 Claim, 14 Drawing Sheets



(56)

References Cited

U.S. PATENT DOCUMENTS

| | | | | | |
|--------------|---------|--------------------------|-------------------|---------|--------------------------------------|
| D487,700 S | 3/2004 | Bourque et al. | D735,762 S | 8/2015 | Andren et al. |
| D527,022 S | 8/2006 | Walters | D735,763 S | 8/2015 | Andren et al. |
| D594,878 S | 6/2009 | Post et al. | D735,764 S | 8/2015 | Andren et al. |
| 7,594,484 B2 | 9/2009 | Lavender et al. | D735,765 S | 8/2015 | Andren et al. |
| D615,557 S | 5/2010 | Mayer et al. | D735,767 S | 8/2015 | Andren et al. |
| D655,310 S | 3/2012 | Tiefenthaler et al. | D735,768 S | 8/2015 | Andren et al. |
| D665,426 S | 8/2012 | Tiefenthaler | D736,264 S | 8/2015 | Andren et al. |
| D667,464 S | 9/2012 | Tiefenthaler | D742,922 S | 11/2015 | Andren et al. |
| D687,709 S | 8/2013 | Taylor | D742,923 S | 11/2015 | Andren et al. |
| D691,177 S * | 10/2013 | Tiefenthaler D15/5 | D742,924 S | 11/2015 | Andren et al. |
| D692,049 S | 10/2013 | Masamoto | D784,413 S | 4/2017 | Thorn et al. |
| 8,746,485 B1 | 6/2014 | Tiefenthaler | D787,558 S | 5/2017 | Thorn et al. |
| D708,645 S * | 7/2014 | Sarder D15/5 | D795,298 S | 8/2017 | Hanna et al. |
| D708,646 S * | 7/2014 | Sarder D15/5 | D911,391 S * | 2/2021 | Wegner D15/5 |
| D721,423 S | 1/2015 | Jacques et al. | D912,093 S * | 3/2021 | Wolf D15/5 |
| D733,186 S | 6/2015 | Bink et al. | D912,094 S * | 3/2021 | Wegner D15/5 |
| D733,187 S | 6/2015 | Bink et al. | D922,440 S * | 6/2021 | Wolf D15/5 |
| D733,762 S | 7/2015 | Bink et al. | 2006/0124644 A1 | 6/2006 | Dehn |
| | | | 2010/0089919 A1 | 4/2010 | Dunkle et al. |
| | | | 2014/0271134 A1 * | 9/2014 | Le Roy F04D 29/4213 415/119 |

* cited by examiner

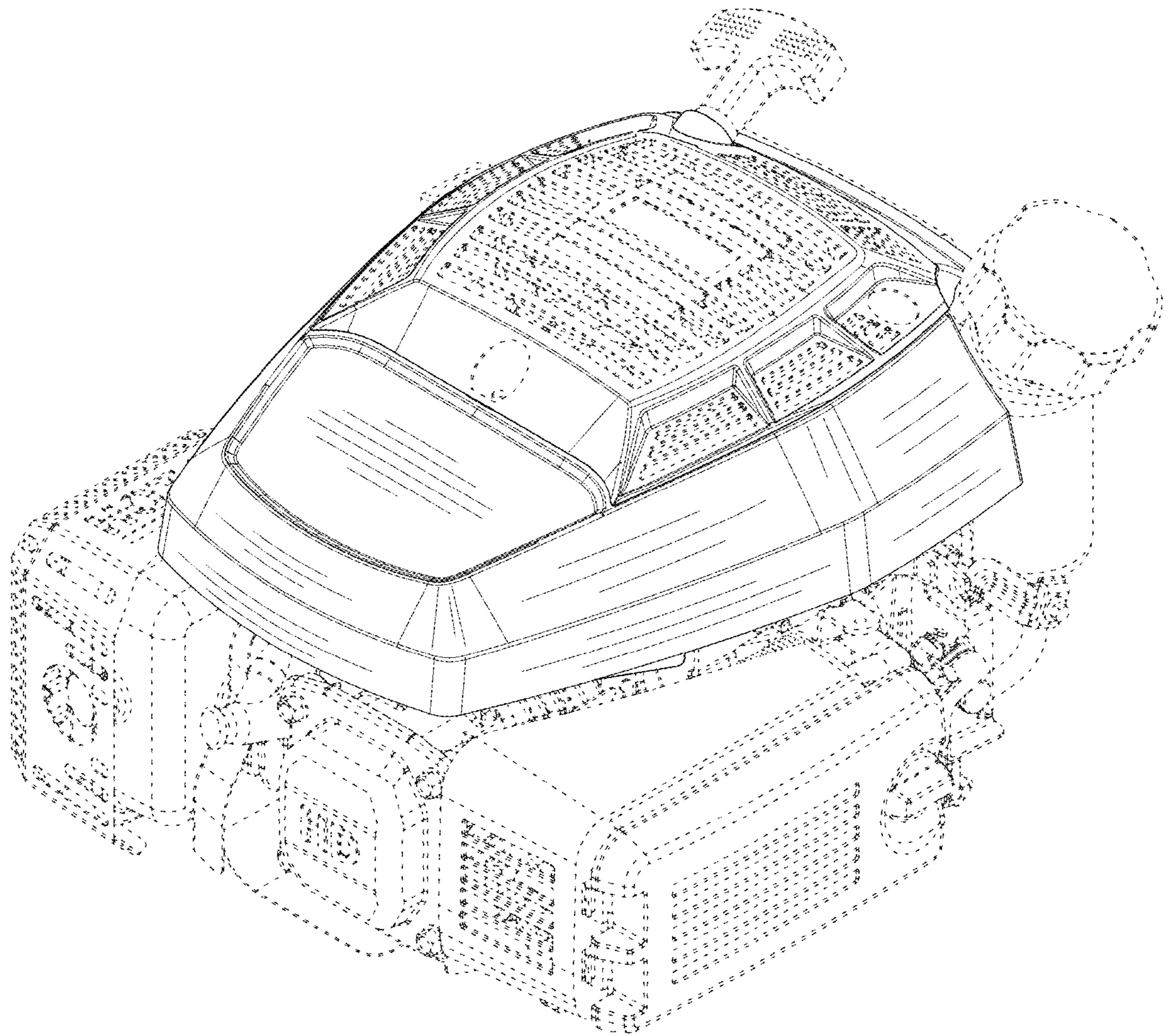


FIG. 1

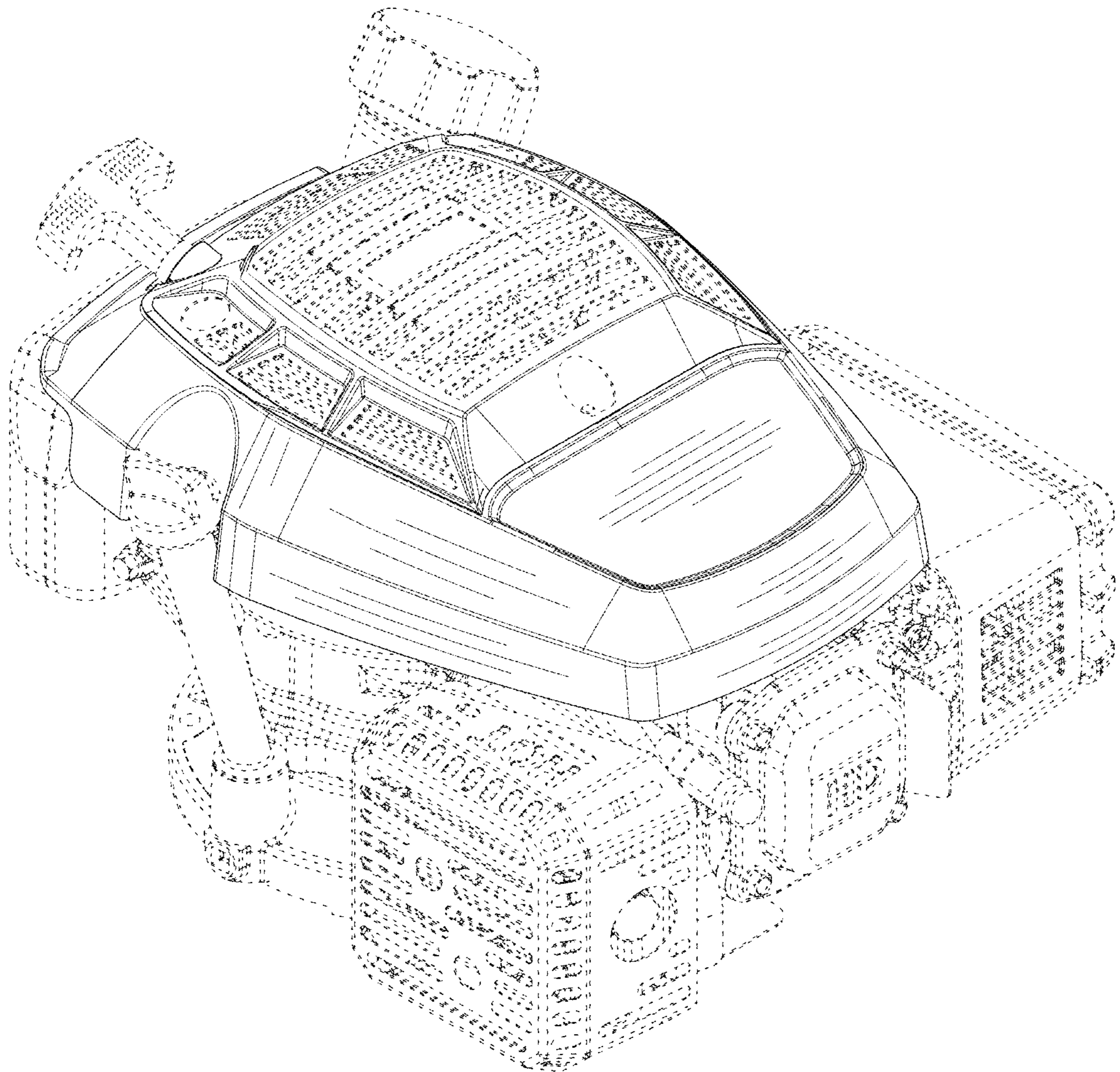


FIG. 2

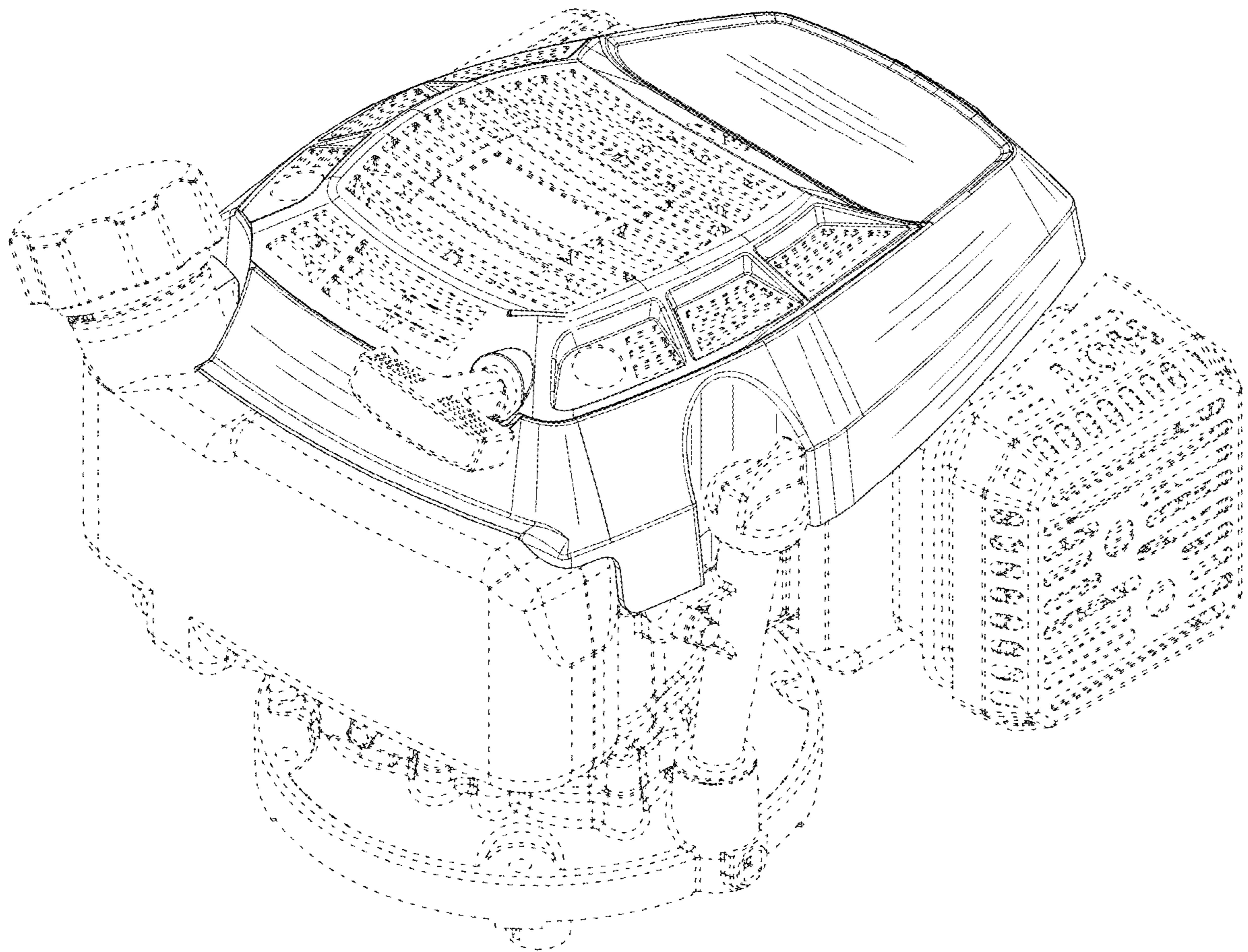


FIG. 3

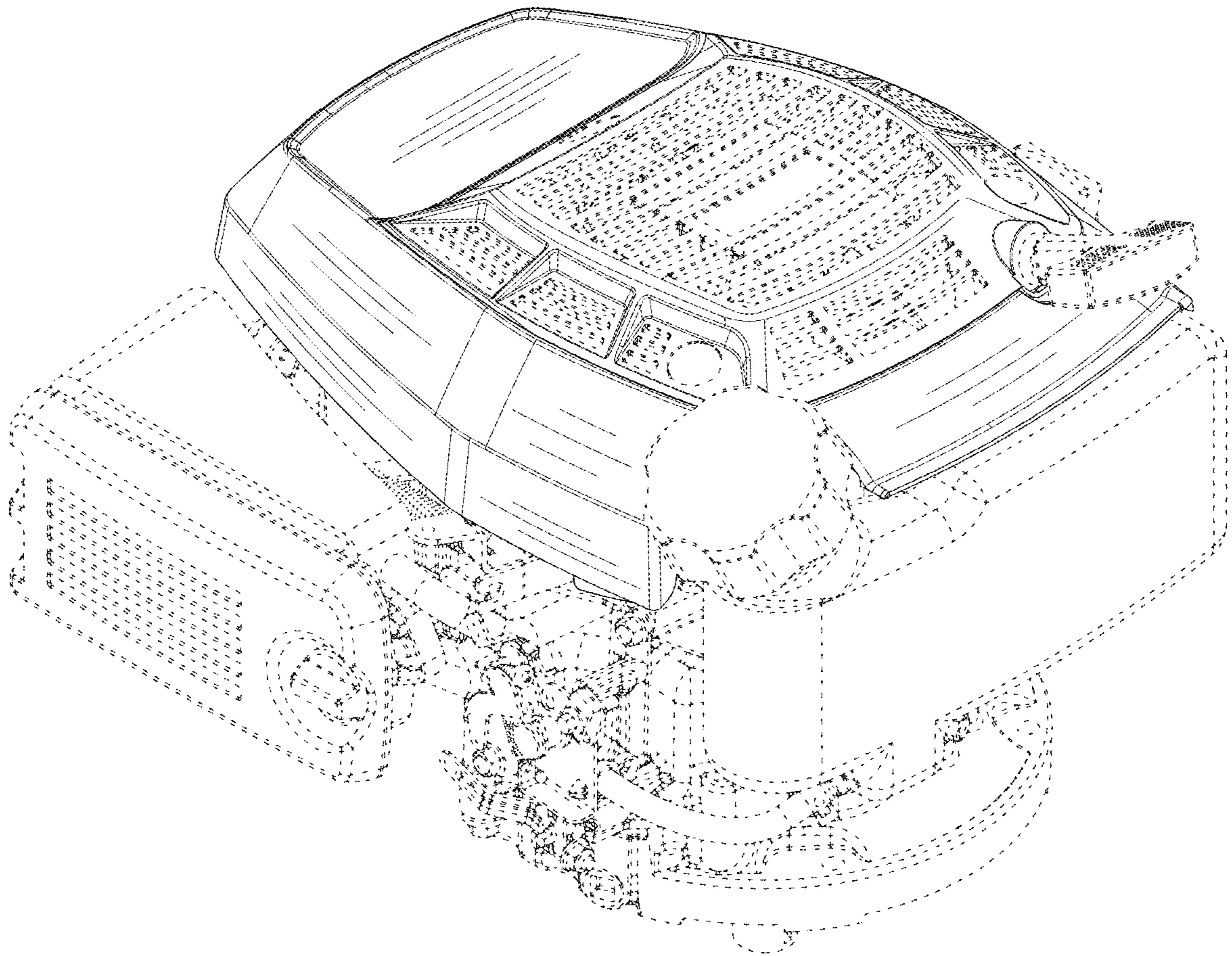


FIG. 4

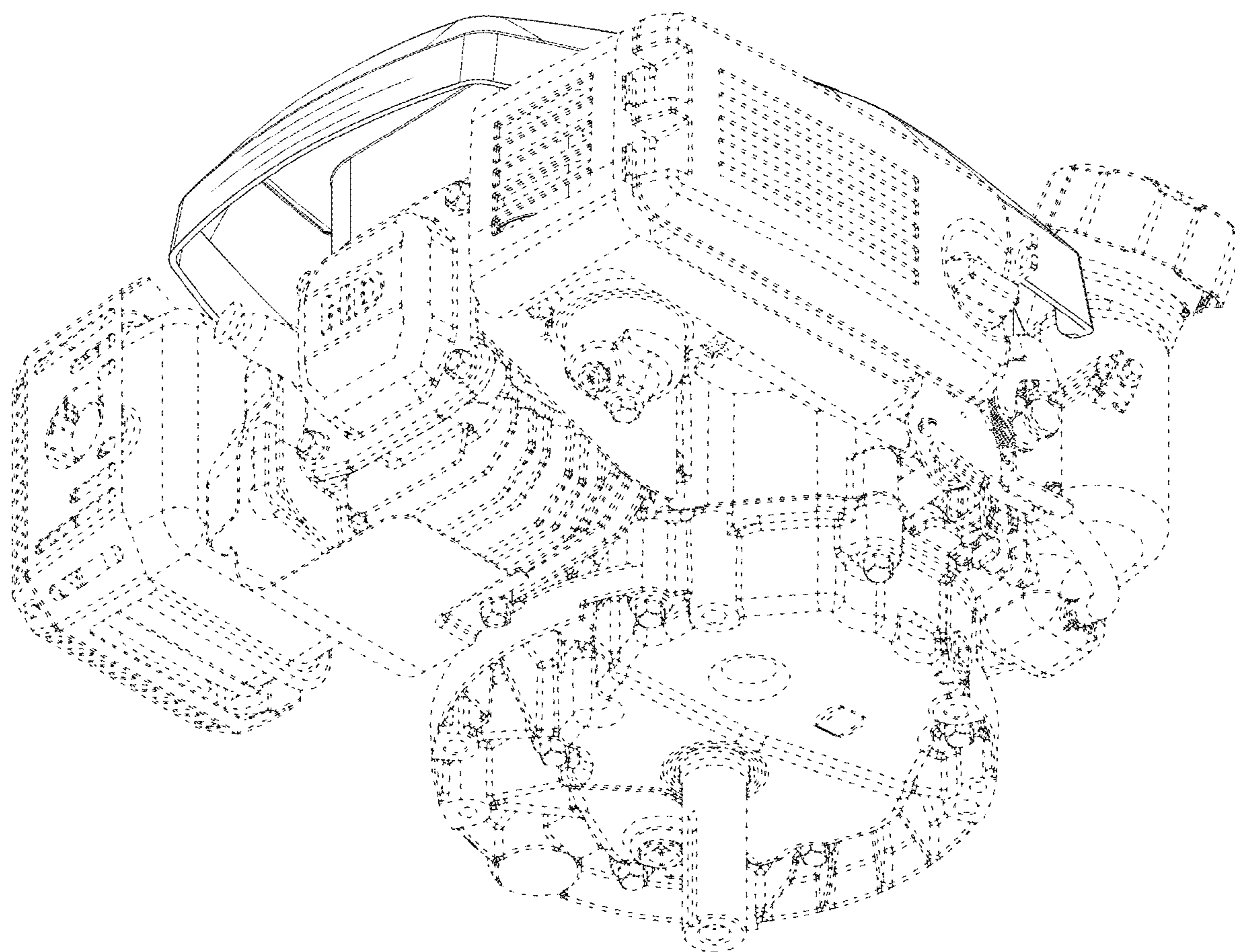


FIG. 5

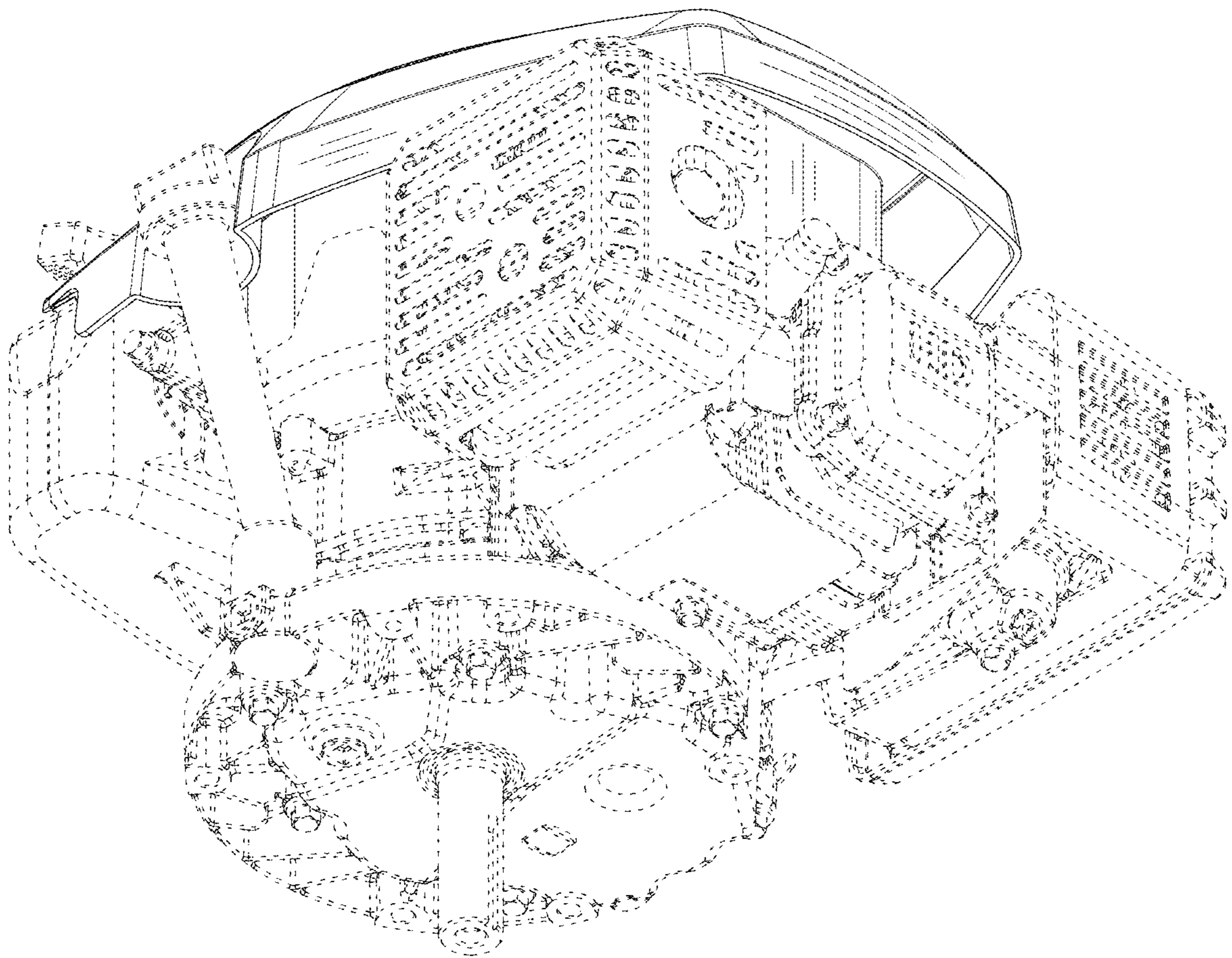


FIG. 6

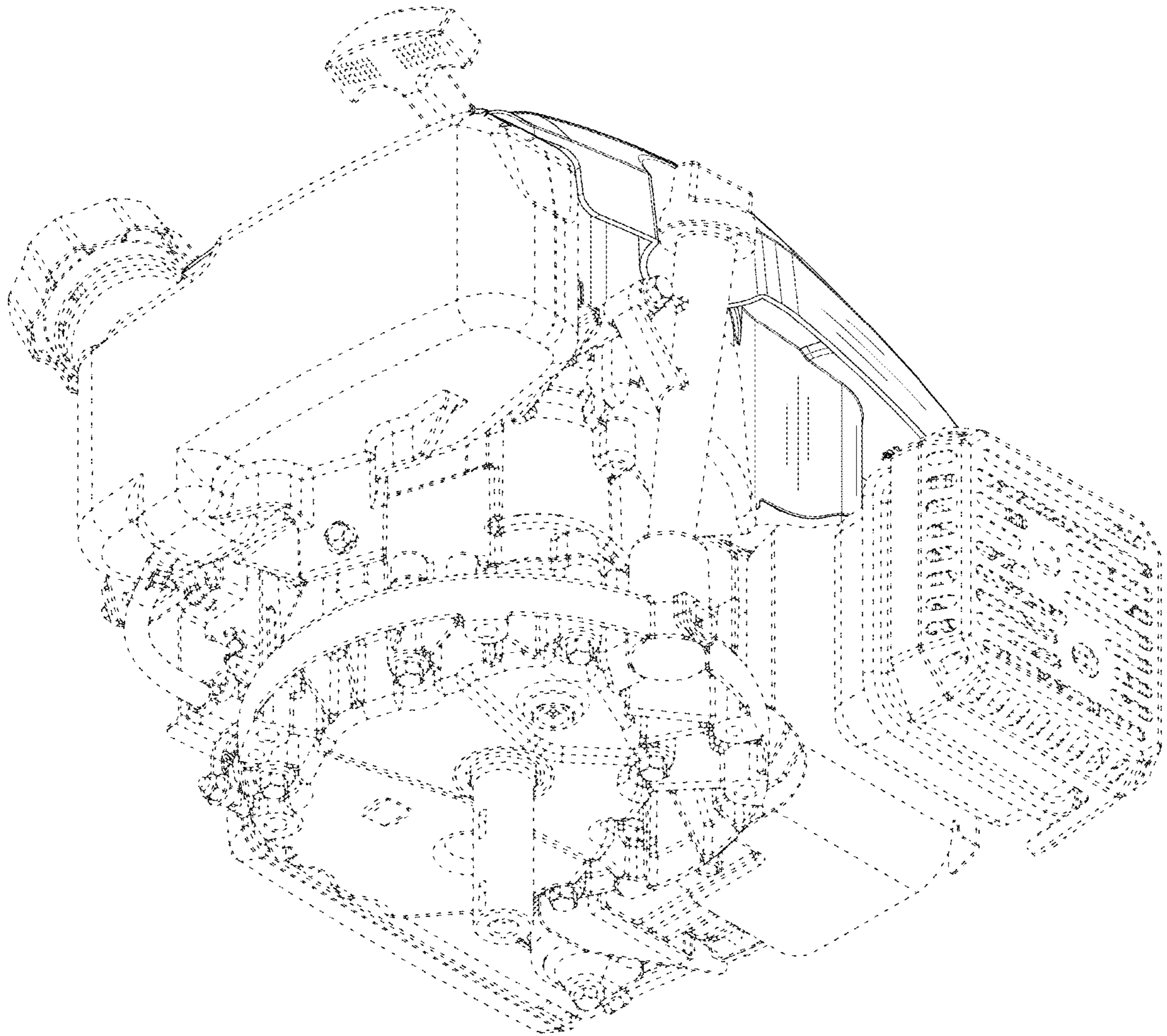


FIG. 7

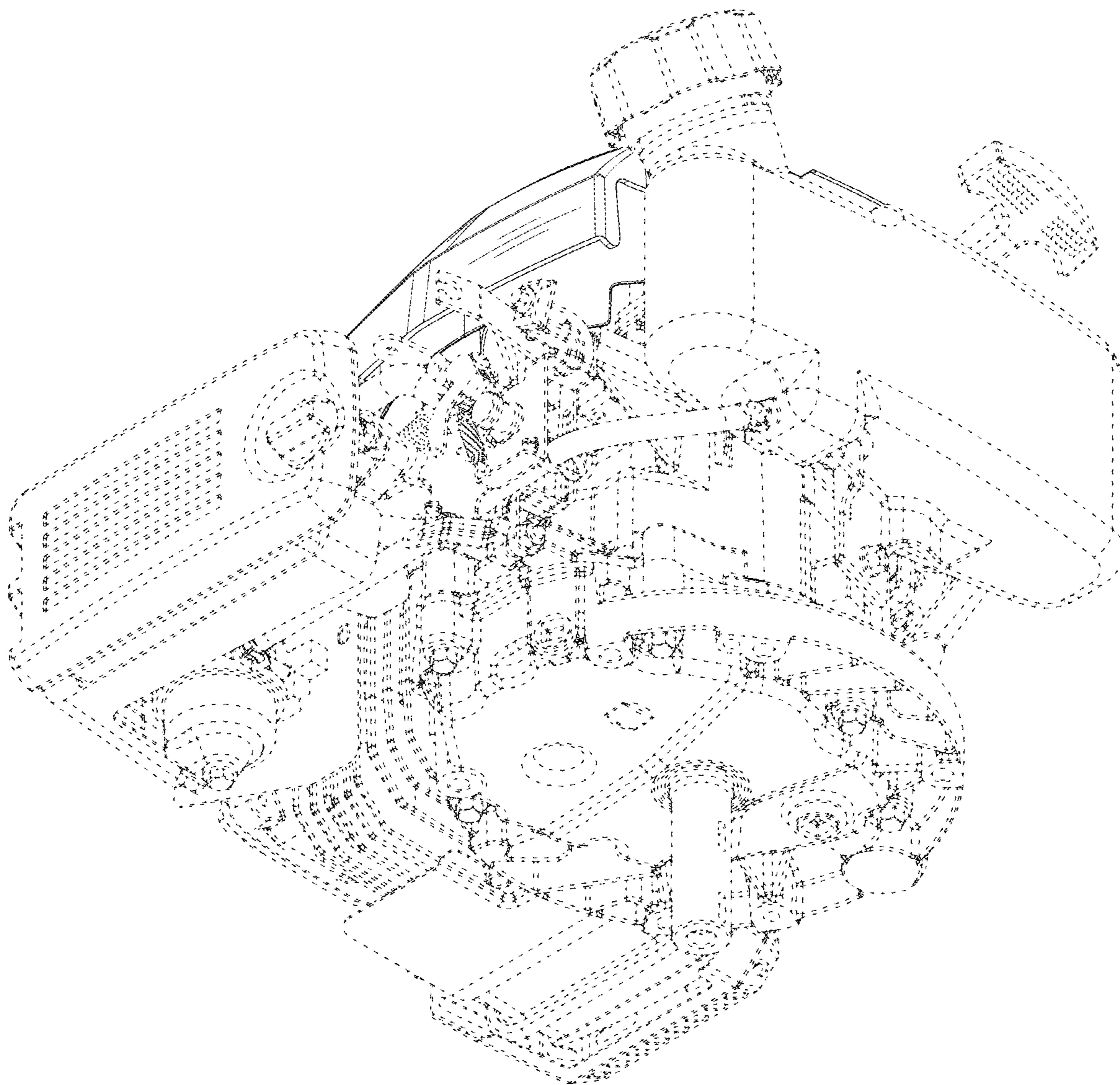


FIG. 8

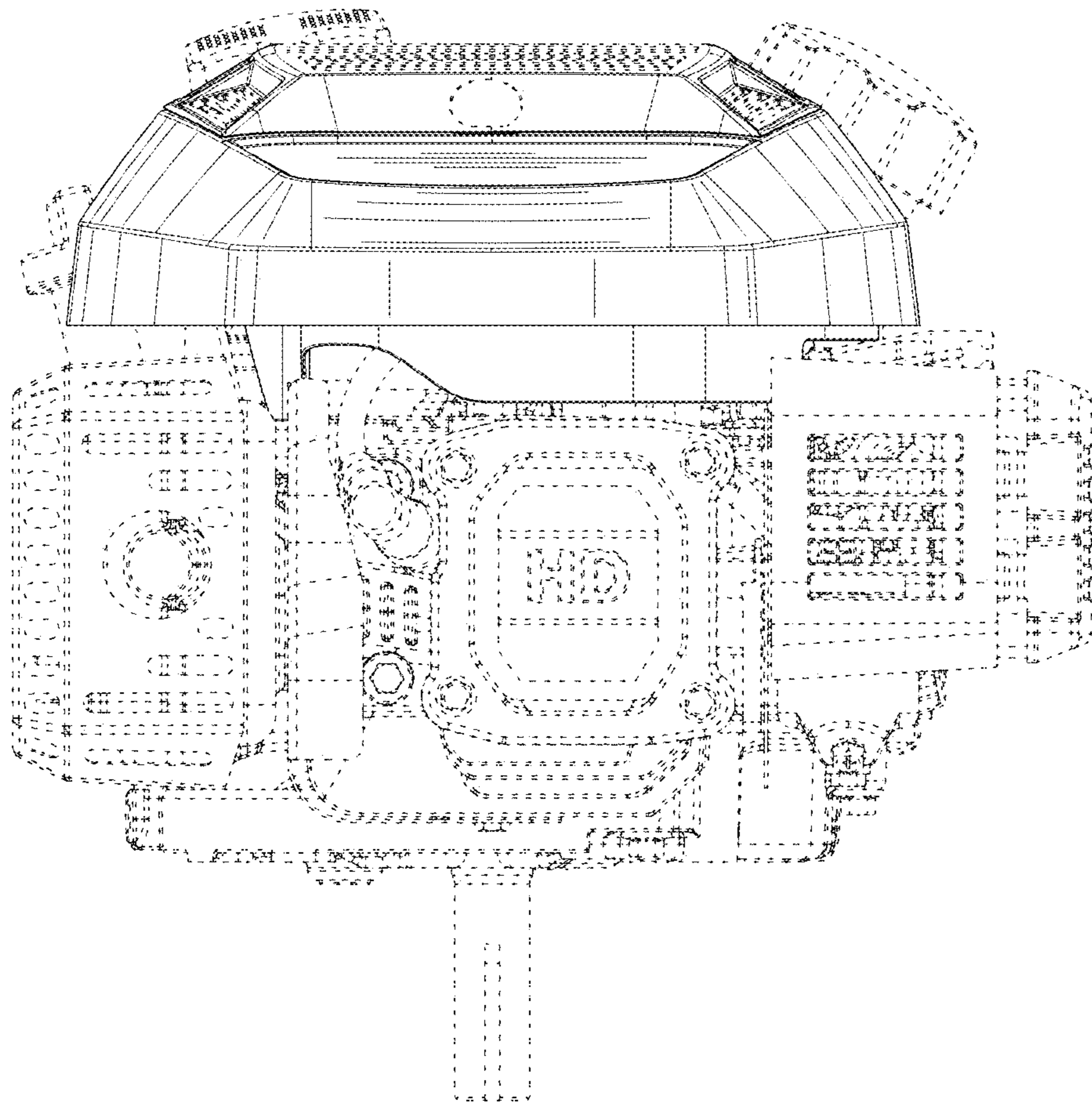


FIG. 9

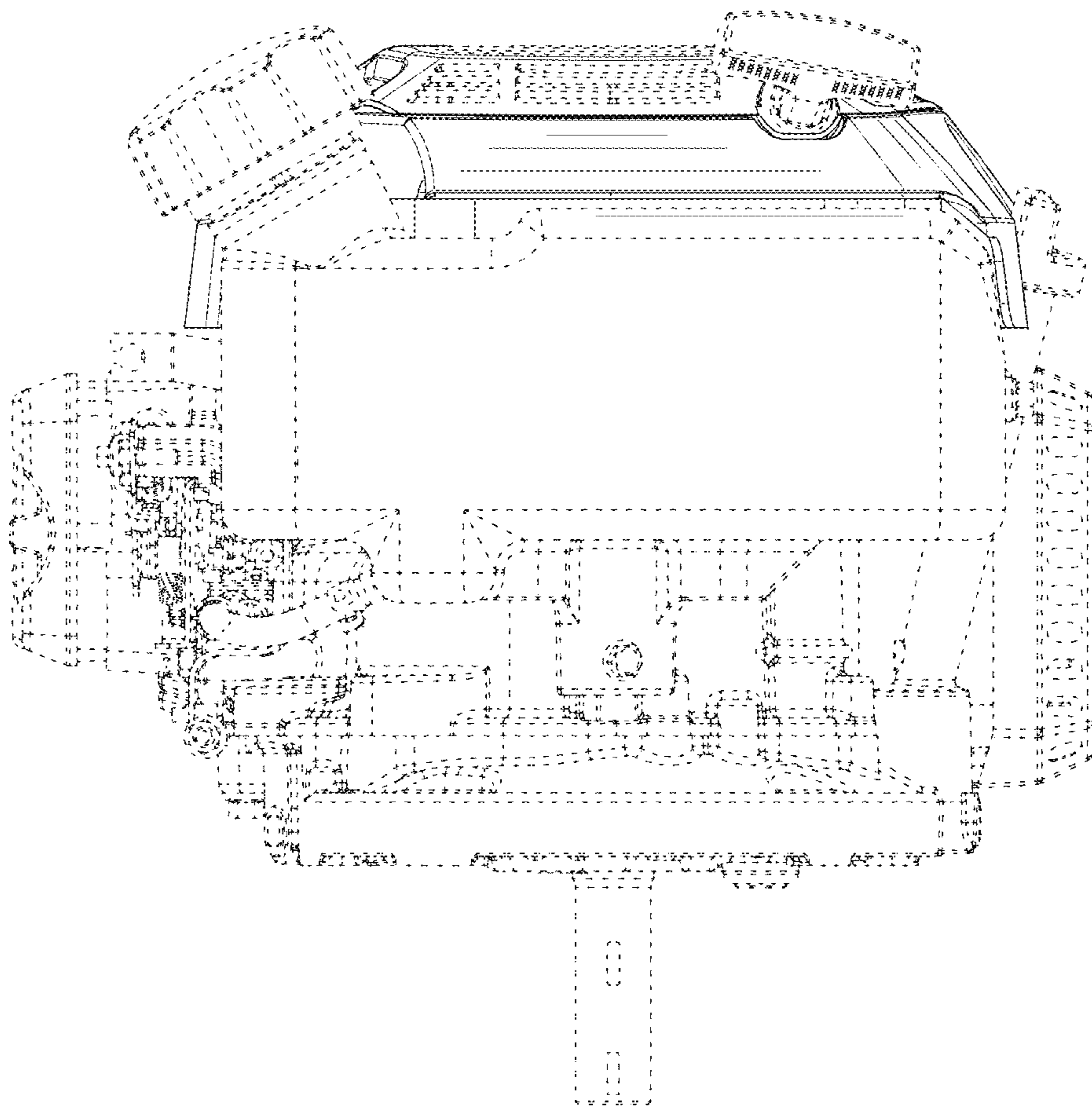


FIG. 10

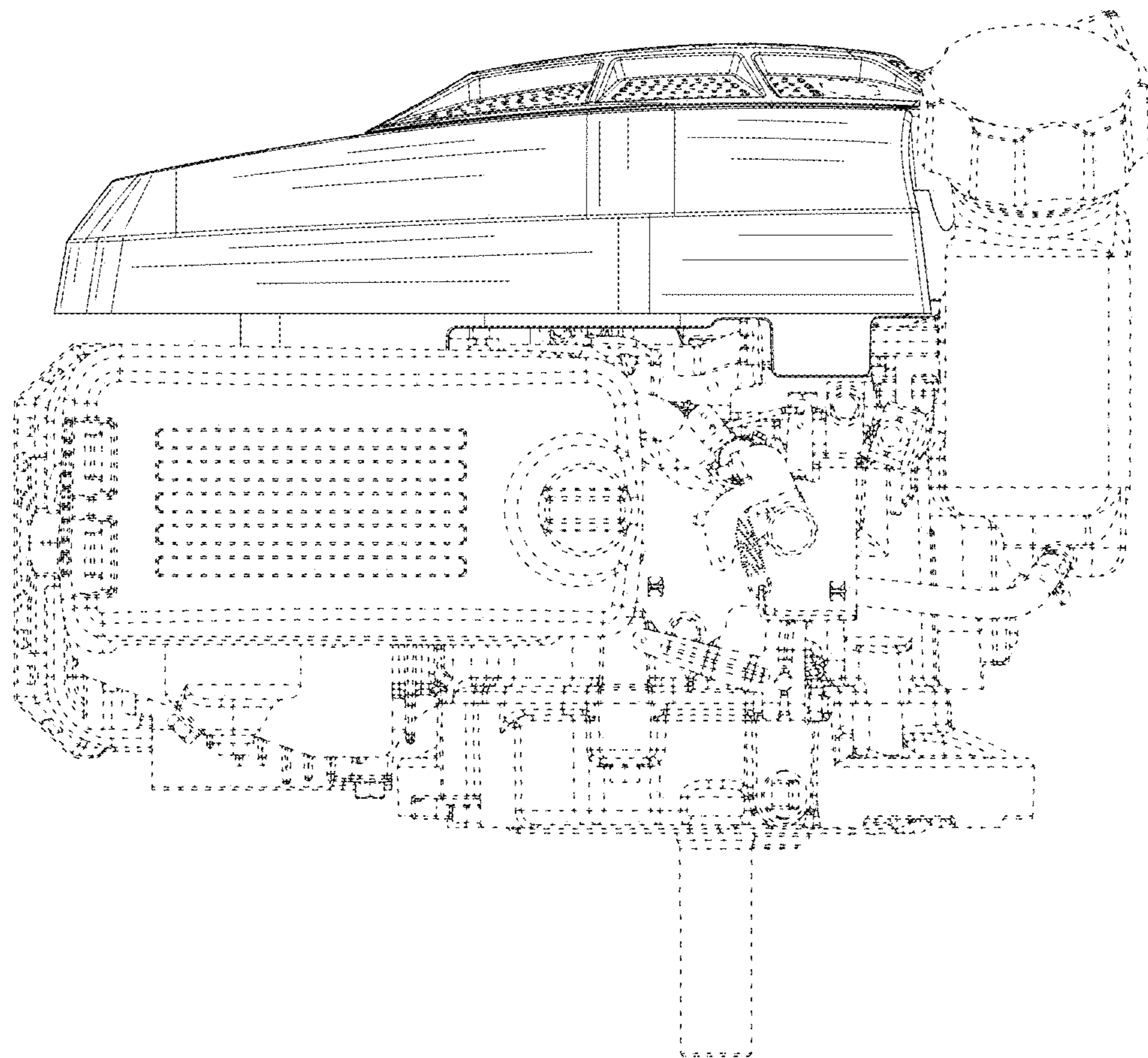


FIG. 11

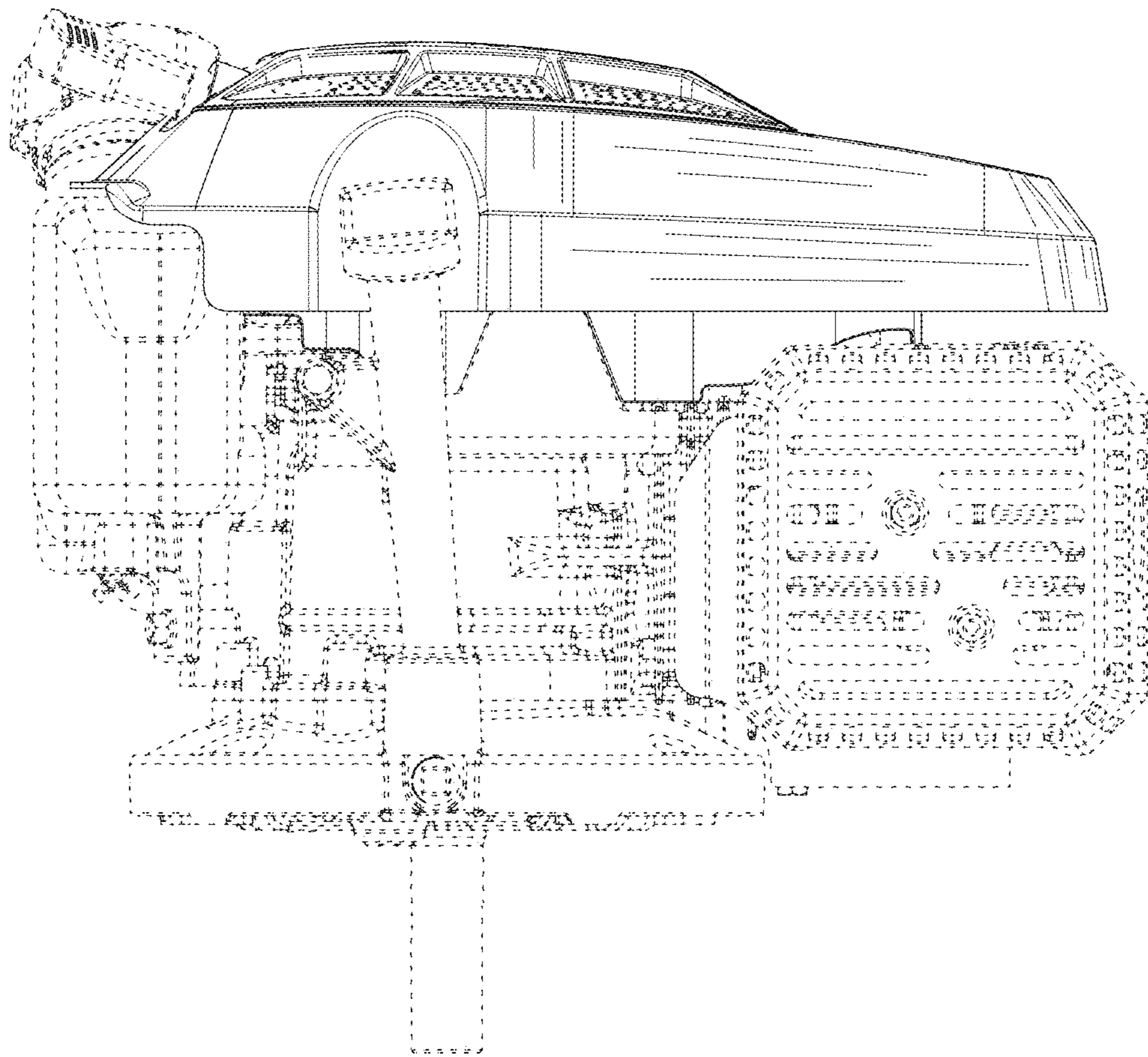


FIG. 12

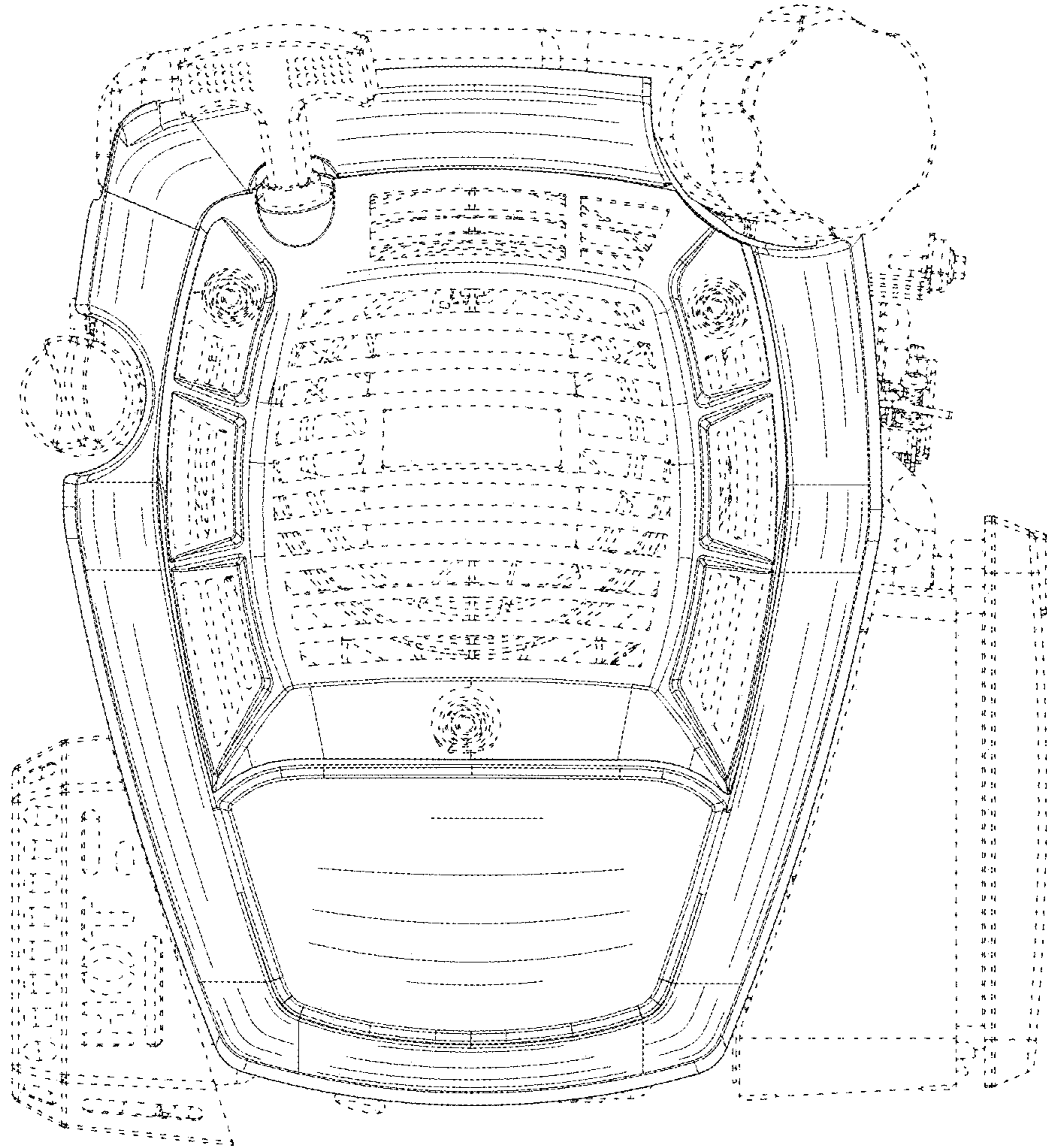


FIG. 13

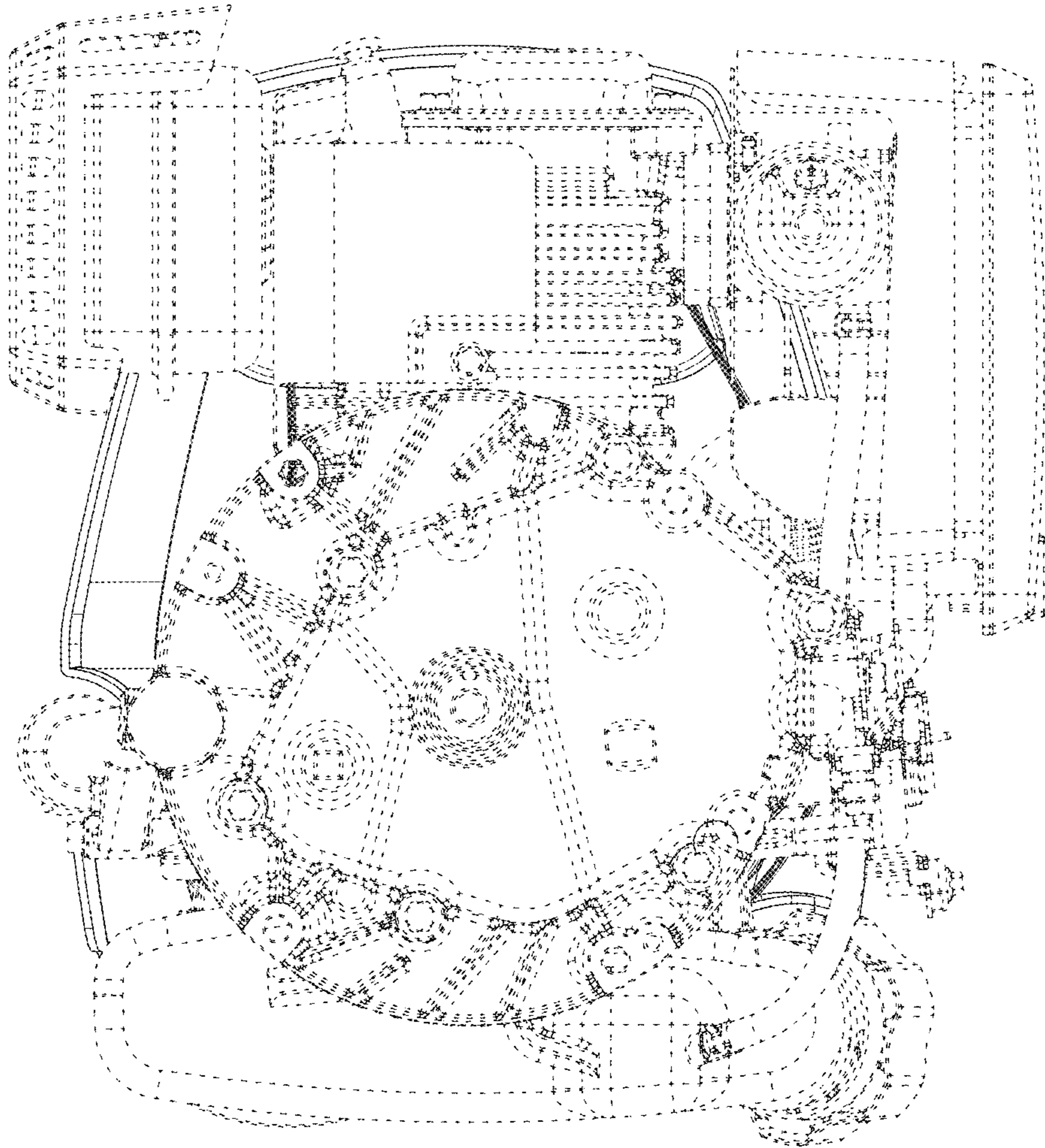


FIG. 14