



US00D954749S

(12) **United States Design Patent**
Moore et al.

(10) **Patent No.:** **US D954,749 S**
(45) **Date of Patent:** **** Jun. 14, 2022**

(54) **ELECTRONIC DEVICE**

(71) Applicant: **Amazon Technologies, Inc.**, Seattle, WA (US)

(72) Inventors: **Jesse Wheeler Moore**, Oakland, CA (US); **Giles David Matthew McWilliam**, San Francisco, CA (US)

(73) Assignee: **Amazon Technologies, Inc.**, Seattle, WA (US)

(**) Term: **15 Years**

(21) Appl. No.: **29/806,025**

(22) Filed: **Aug. 31, 2021**

Related U.S. Application Data

(62) Division of application No. 29/684,862, filed on Mar. 25, 2019, now Pat. No. Des. 931,902.

(51) **LOC (13) Cl.** **14-03**

(52) **U.S. Cl.**
USPC **D14/496; D14/203.7**

(58) **Field of Classification Search**
USPC ... D14/126-127, 138 AA, 138 AB, 138 AC, D14/138 AD, 138 C, 138 G, 248, D14/315-318, 341-347, 371, 374, 496; D6/308, 310; D10/50, 65, 70, 78, 83, 87, D10/92, 98, 104.1; D18/6-7; D19/26, D19/59-60; D21/324, 329-330, 332; D12/114, 223
CPC ... H04M 1/0202; H04M 1/0266; H04M 1/725
See application file for complete search history.

(56) **References Cited**

U.S. PATENT DOCUMENTS

D266,759 S 11/1982 Jabara
D310,032 S 8/1990 Murata
D425,510 S 5/2000 Dietz et al.

D558,460 S * 1/2008 Yu D14/341
D569,629 S * 5/2008 Yu D6/308
D598,006 S 8/2009 Tse
D598,300 S * 8/2009 Sadler D10/2
D621,383 S 8/2010 Hou

(Continued)

FOREIGN PATENT DOCUMENTS

EM 008187447-006 10/2020
GB 6001875 * 10/2017

(Continued)

OTHER PUBLICATIONS

Amazon Echo Show 5 review, Aug. 19, 2019, [retrieved Mar. 10, 2022], Retrieved from Internet, URL: <https://www.gsmarena.com/amazon_echo_show_5_review-news-38754.php> (Year: 2019).*

(Continued)

Primary Examiner — Barbara Fox
Assistant Examiner — Aram Kwon

(74) *Attorney, Agent, or Firm* — Lee & Hayes, P.C.

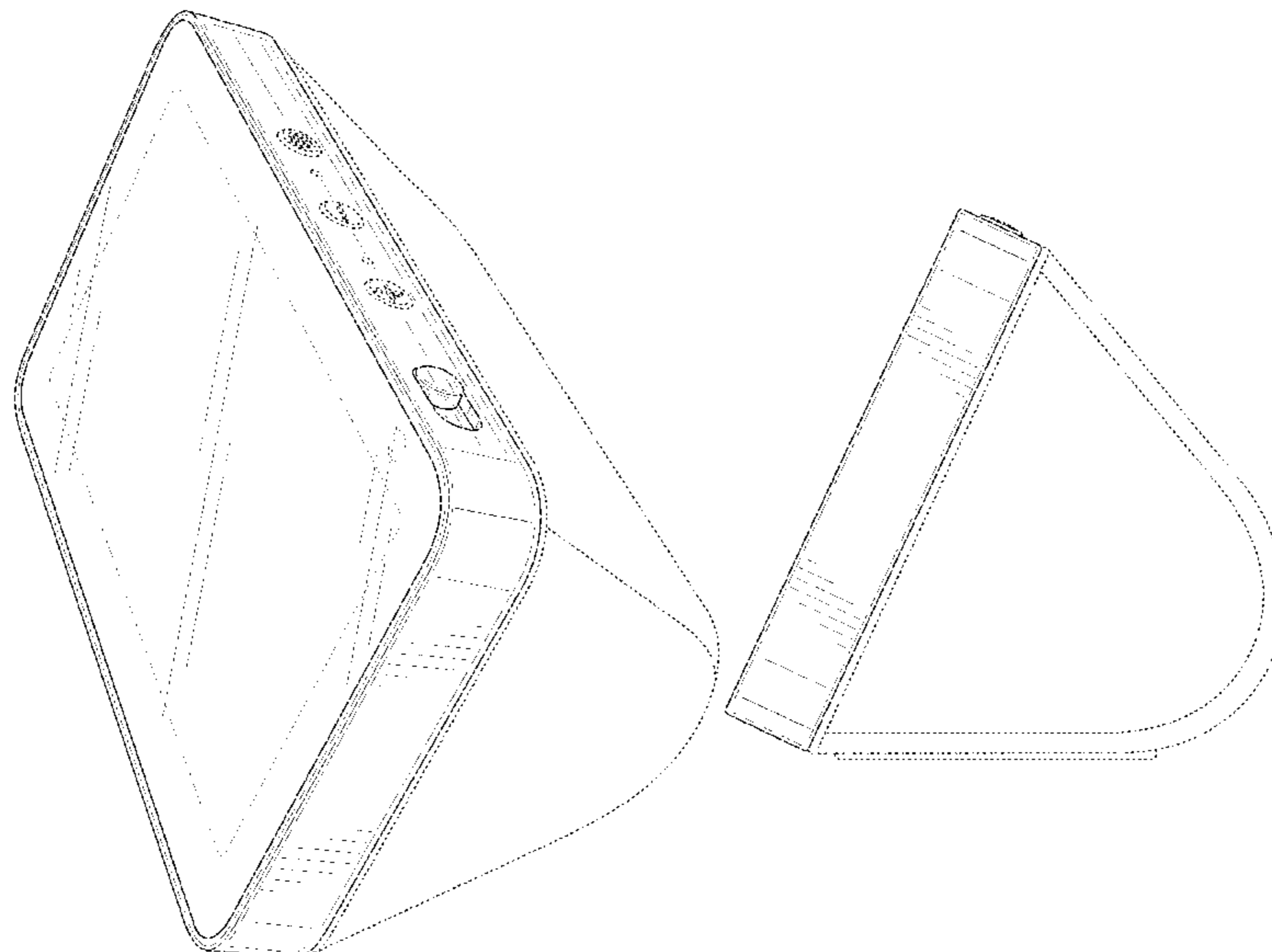
(57) **CLAIM**

The ornamental design for an electronic device, as shown and described.

DESCRIPTION

FIG. 1 is a front, top, right perspective view of an electronic device;
FIG. 2 is a front view thereof;
FIG. 3 is a back view thereof;
FIG. 4 is a left-side view thereof;
FIG. 5 is a right-side view thereof;
FIG. 6 is a top view thereof; and,
FIG. 7 is a bottom view thereof.
The broken lines depict portions of the electronic device that form no part of the claimed design.

1 Claim, 7 Drawing Sheets



(56)

References Cited

U.S. PATENT DOCUMENTS

D628,913	S	*	12/2010	Cheng	D10/65
D638,822	S		5/2011	Hoehn et al.		
D659,670	S		5/2012	Goetzen et al.		
D670,664	S	*	11/2012	Brown	D14/126
D685,348	S		7/2013	Szymanski et al.		
D694,653	S		12/2013	Hsu		
D697,506	S	*	1/2014	Bianco	D14/371
D697,910	S	*	1/2014	Bianco	D14/371
D720,393	S	*	12/2014	Held	D18/4.4
D745,512	S		12/2015	Lee et al.		
D755,754	S		5/2016	Schwartz		
D761,901	S	*	7/2016	Kim	D14/371
D771,139	S		11/2016	Poulheim		
D773,429	S		12/2016	Holzer		
D774,485	S	*	12/2016	Kano	D14/126
D784,826	S		4/2017	Bailey		
D789,362	S		6/2017	Eljas		
D810,709	S		2/2018	Jou et al.		
D839,264	S	*	1/2019	Nagano	D14/371
D862,476	S	*	10/2019	Han	D14/440
D873,794	S	*	1/2020	Lee	D14/214
D905,110	S		12/2020	Zhang et al.		
D907,637	S	*	1/2021	Han	D14/440
D911,308	S		2/2021	Huang et al.		
D916,471	S	*	4/2021	Jiang	D6/308
D924,878	S	*	7/2021	Han	D14/440
D931,902	S	*	9/2021	Moore	D14/203.7
D938,378	S	*	12/2021	Andresen	D14/130
D938,379	S	*	12/2021	Andresen	D14/130
D938,431	S	*	12/2021	Han	D14/440

FOREIGN PATENT DOCUMENTS

IN	305391-0001	*	1/2020
JP	D2020-2963		7/2020
KR	3020180036631		3/2019
KR	3020190034740		5/2020
WO	WOD204555-001		12/2019
WO	WOD210409-001		10/2020

OTHER PUBLICATIONS

Review: Amazon Echo Show 5, Jun. 24, 2019, [retrieved Mar. 10, 2022], Retrieved from Internet, URL: <<https://www.wired.com/review/amazon-echo-show-5/>> (Year: 2019).*

Amazon’s Echo Show 8 hits the sweet spot for smart displays, Nov. 26, 2019, [retrieved Mar. 10, 2022], Retrieved from Internet, URL: <<https://www.theverge.com/2019/11/26/20983661/amazon-echo-show-8-review-alexa-smart-display-price-specs-features>> (Year: 2019).*

Amazon Echo Show 8 review, Oct. 31, 2020, [retrieved Mar. 10, 2022], Retrieved from Internet, URL: <<https://www.cnet.com/reviews/amazon-echo-show-8-review/>> (Year: 2020).*

Amazon Reveals Echo Show 5, May 29, 2019, [retrieved Mar. 10, 2022], Retrieved from Internet, URL: <<https://www.forbes.com/sites/davidphelan/2019/05/29/amazon-launches-goldilocks-echo-echo-show-5-with-camera-privacy-shutter-for-89-99/?sh=4f323f104775>> (Year: 2019).*

The Amazon Echo Show 5 puts Alexa on a smaller screen, May 29, 2019, [retrieved Mar. 10, 2022], Retrieved from Internet, URL: <<https://www.theverge.com/2019/5/29/18643451/amazon-echo-show-5-alexa-screen-price-availability-89>> (Year: 2019).*

Canadian Office Action dated Nov. 19, 2020 for Canadian Patent Application No. 189576, a counterpart of U.S. Appl. No. 29/718,163, 2 pages.

“Echo Show 8”, retrieved on Oct. 21, 2020 at <https://www.amazon.com/Echo-Show-8/dp/B07PF1Y28C/ref=asc_df_B07PF1Y28C/?tag=&linkCode=df0&hvadid=416773456935&hvpos=&hvnetw=g%E2%80%A6&th=1>, date not available, 13 pgs.

Gibbs, “Amazon Echo Show (2nd gen) review”, retrieved on Oct. 21, 2020, at <<https://www.theguardian.com/technology/2019/jan/15/amazon-echo-show-2nd-gen-review-alexa-speaker>>, Jan. 2019, pp. 1-7.

Goode, “Review: Amazon Echo Show 5”, retrieved on Mar. 16, 2021, at <<https://www.wired.com/review/amazon-echo-show-5/>> Wired, Jun. 24, 2019, pp. 1-5.

Leskin, “Amazon just unveiled a brand—new Echo with a screen and a camera, and it’s one of the company’s easiest cheapest Echo devices yet”, retrieved on Mar. 16, 2021 at <<https://www.theverge.com/2019/6/24/18714432/amazon-echo-show-5-alexa-smart-alarm-display-review-specs-price-features>>, Business Insider, May 28, 2019, pp. 1-17.

Office Action for U.S. Appl. No. 29/684,862, dated Apr. 1, 2021, Moore, “Electronic Device”, 7 Pages.

Seifert, “Amazon’s Echo Show 5 is the smart alarm clock to get”, retrieved on Mar. 16, 2021, at <<https://www.theverge.com/2019/6/24/18714432/amazon-echo-show-5-alexa-smart-alarm-display-review-specs-price-features>>, The Verge, pp. 1-12.

* cited by examiner

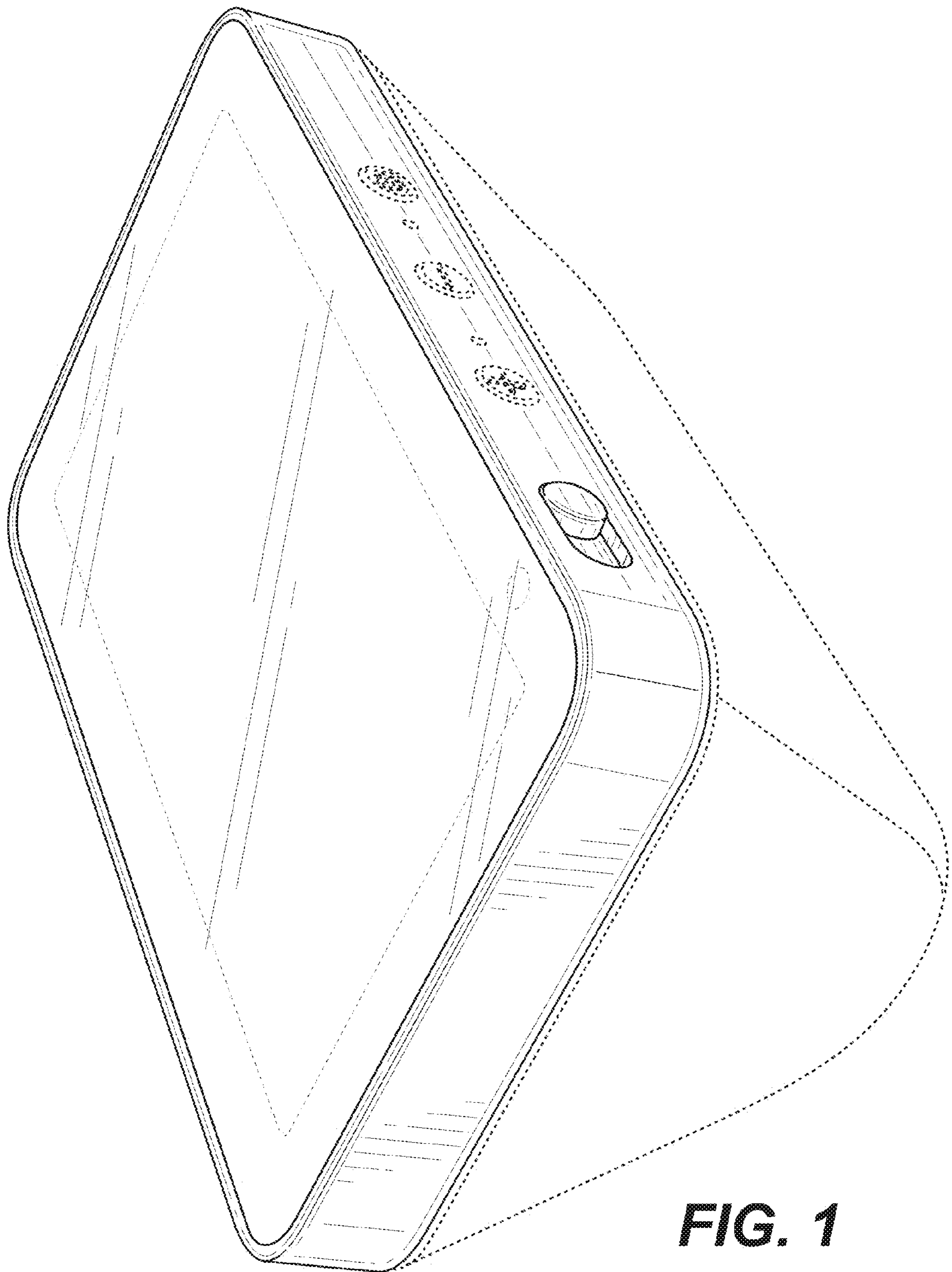


FIG. 1

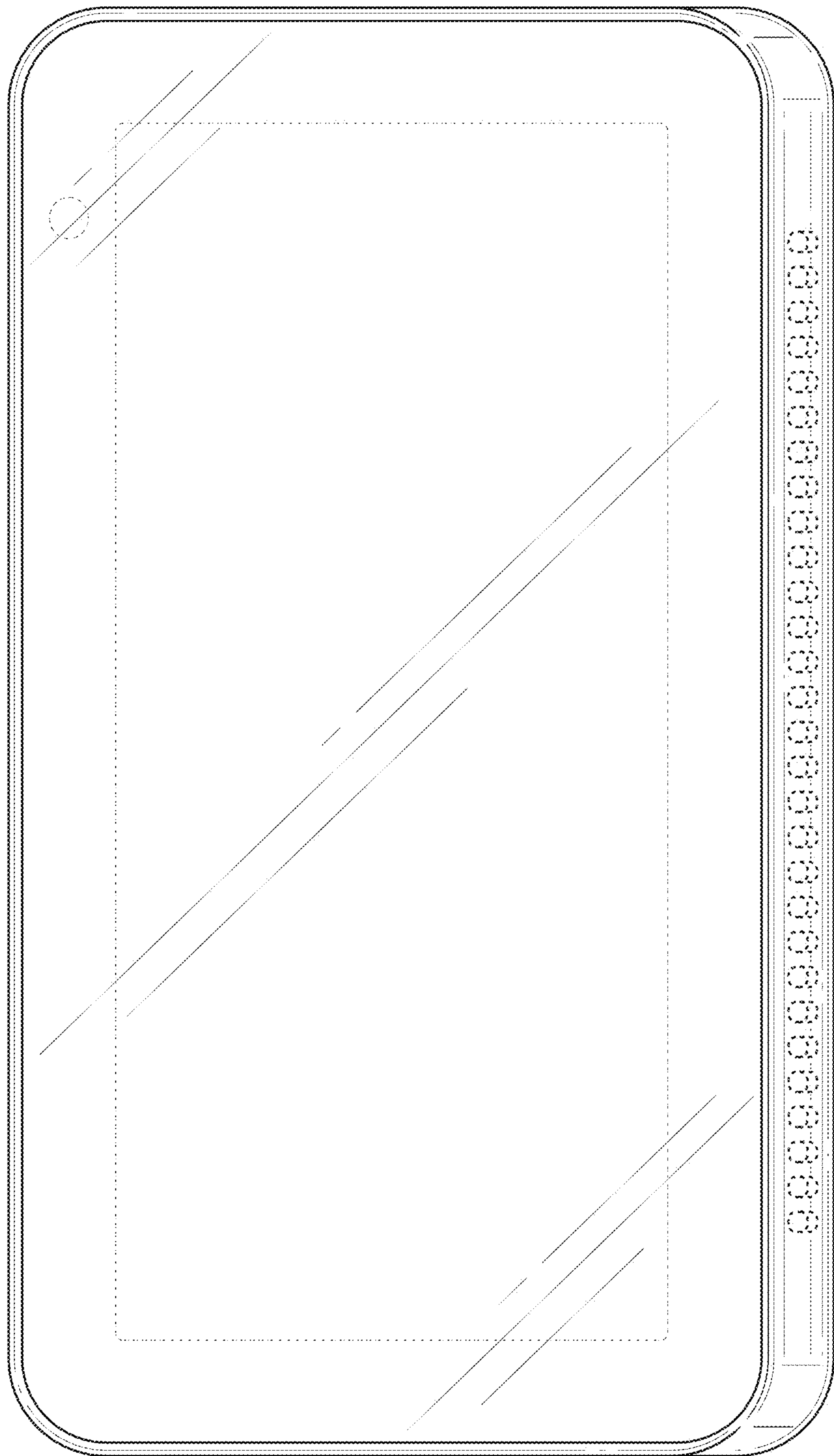


FIG. 2

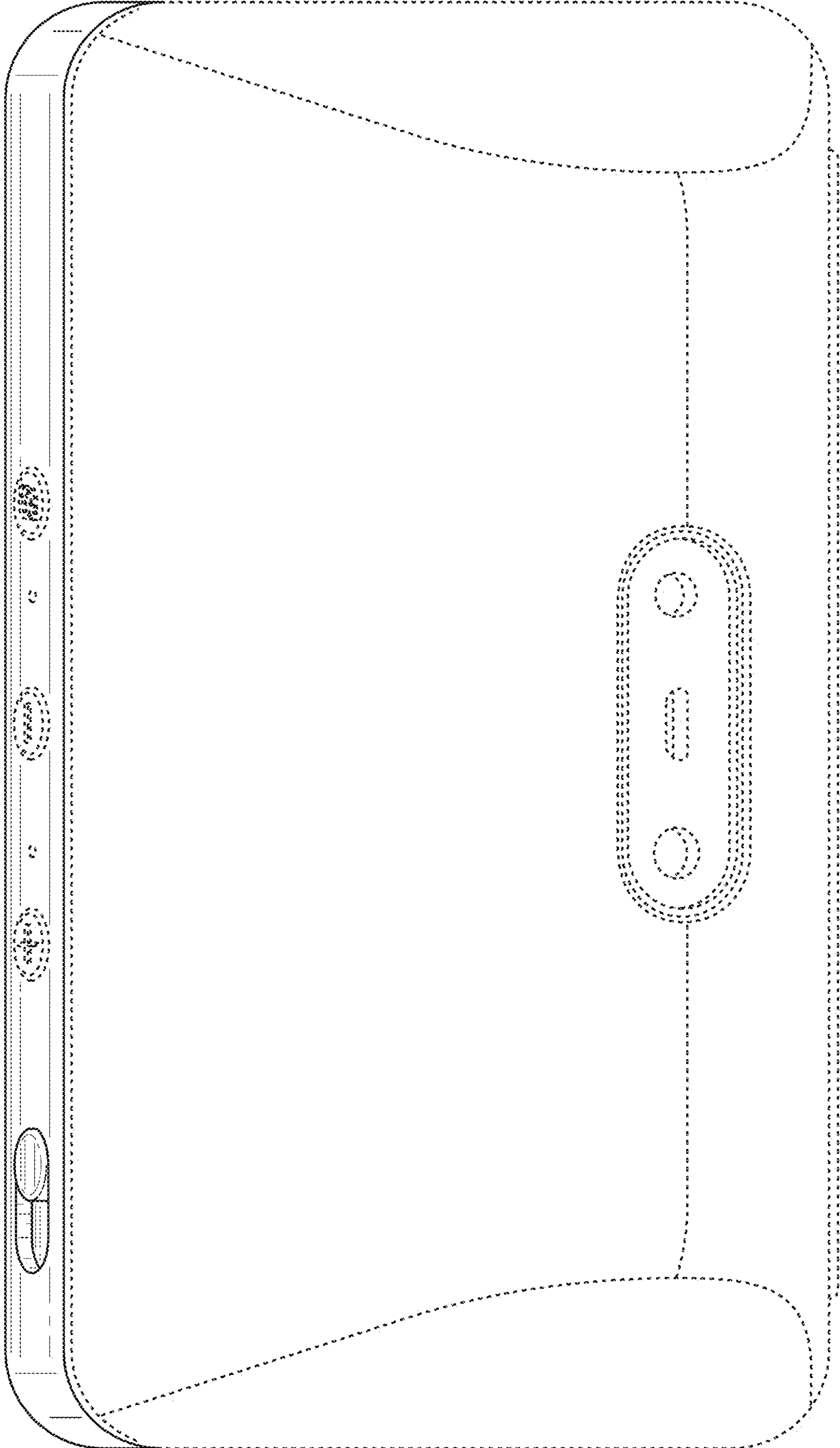


FIG. 3

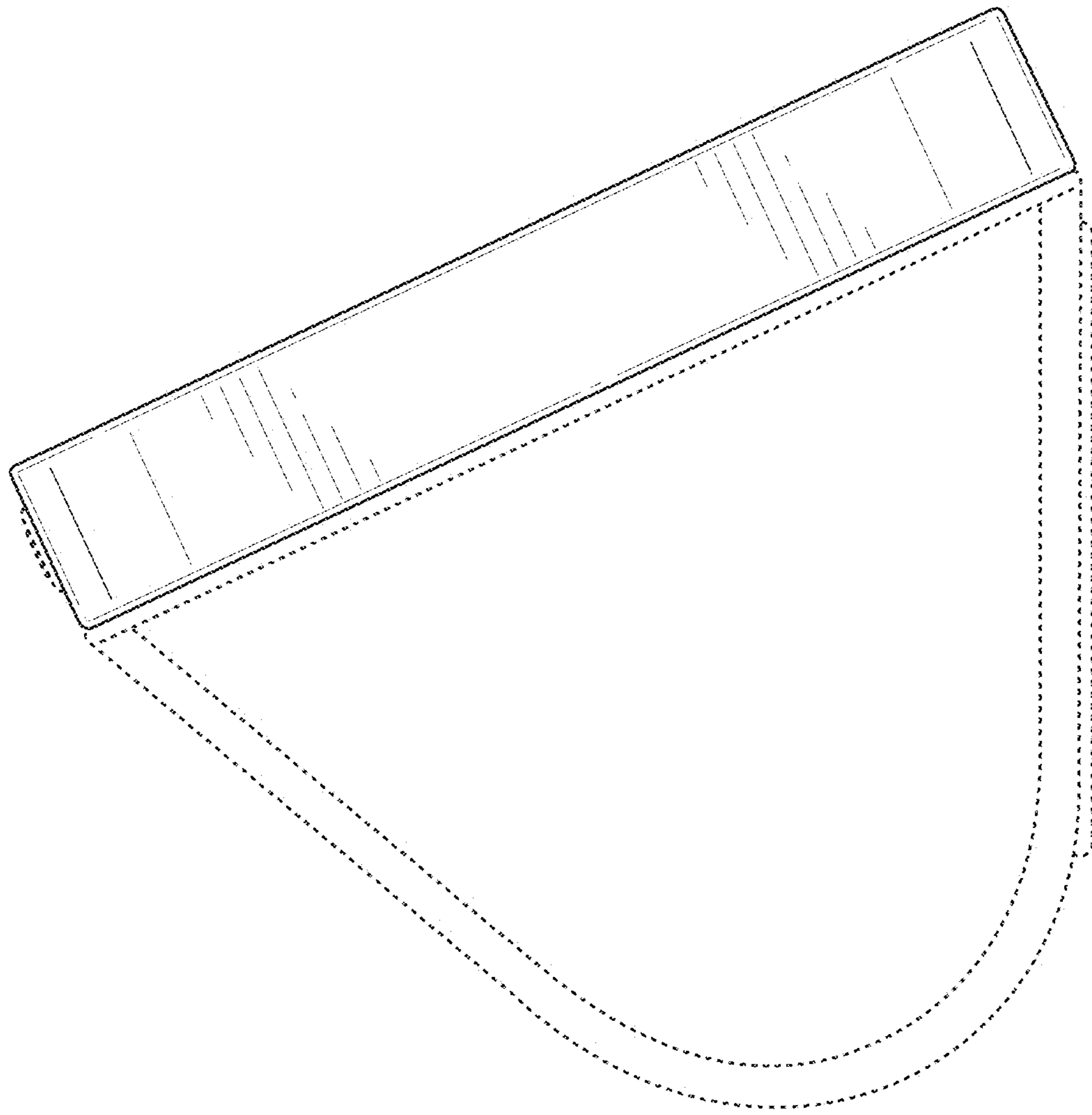


FIG. 4

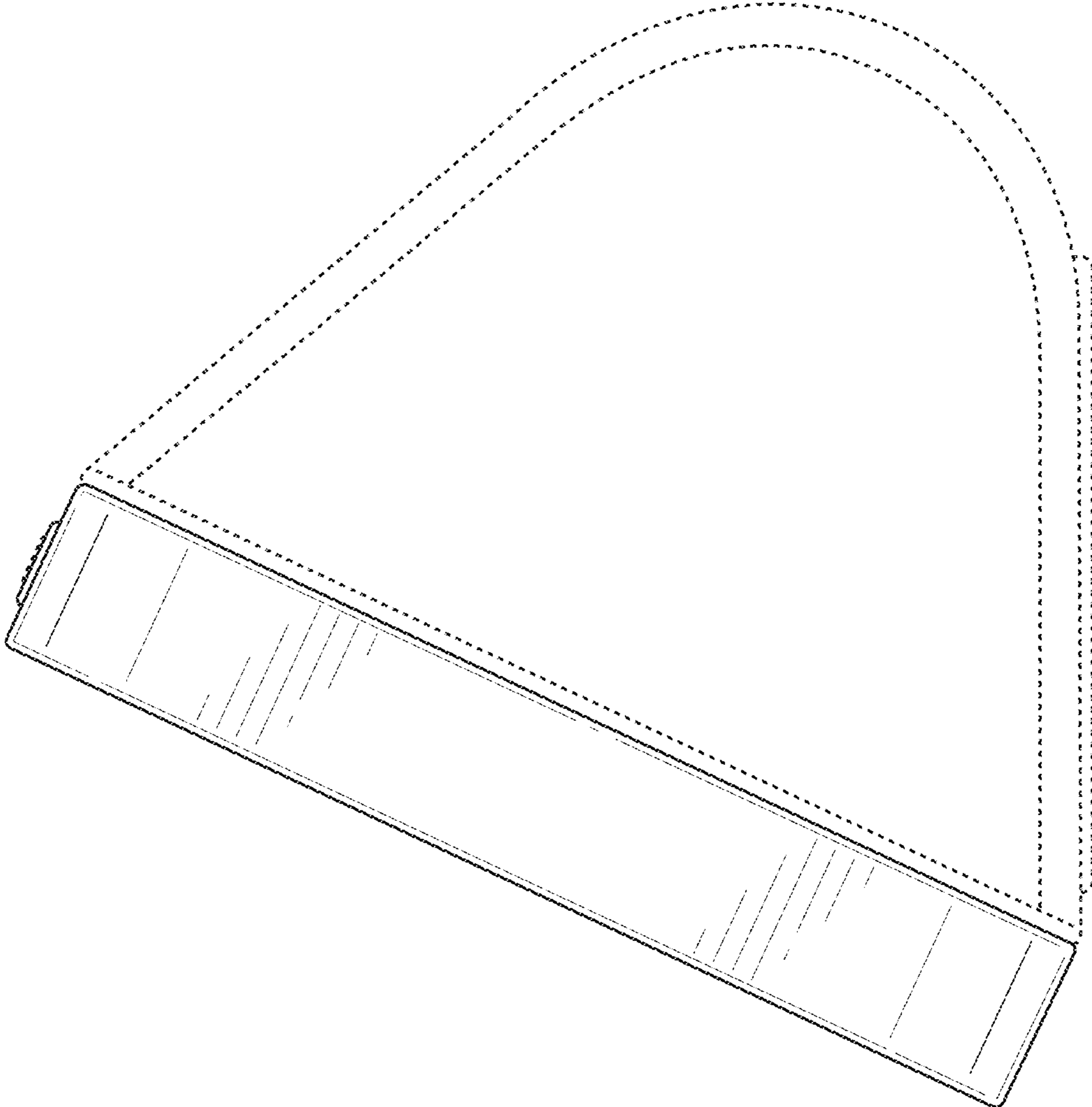


FIG. 5

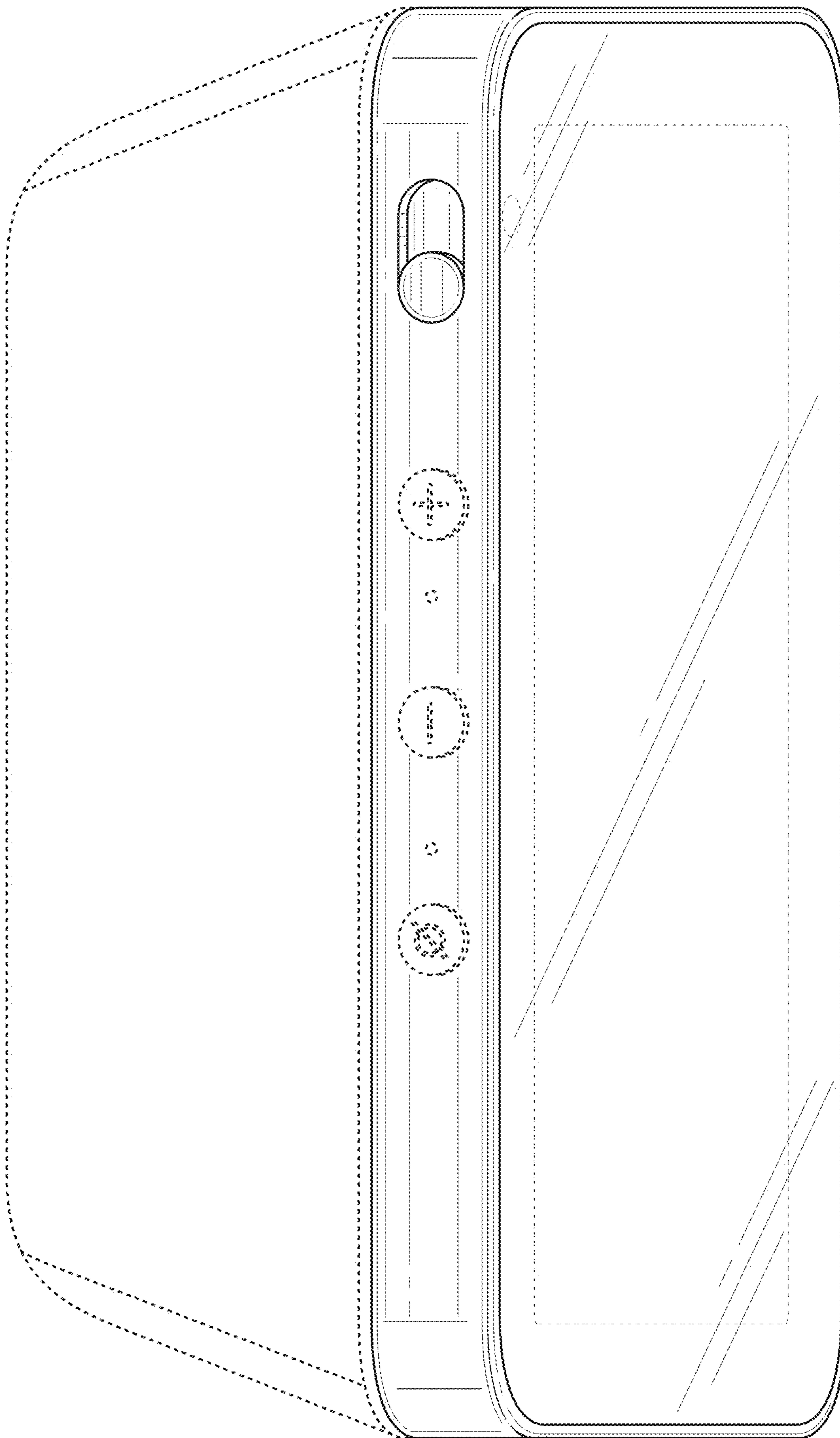


FIG. 6

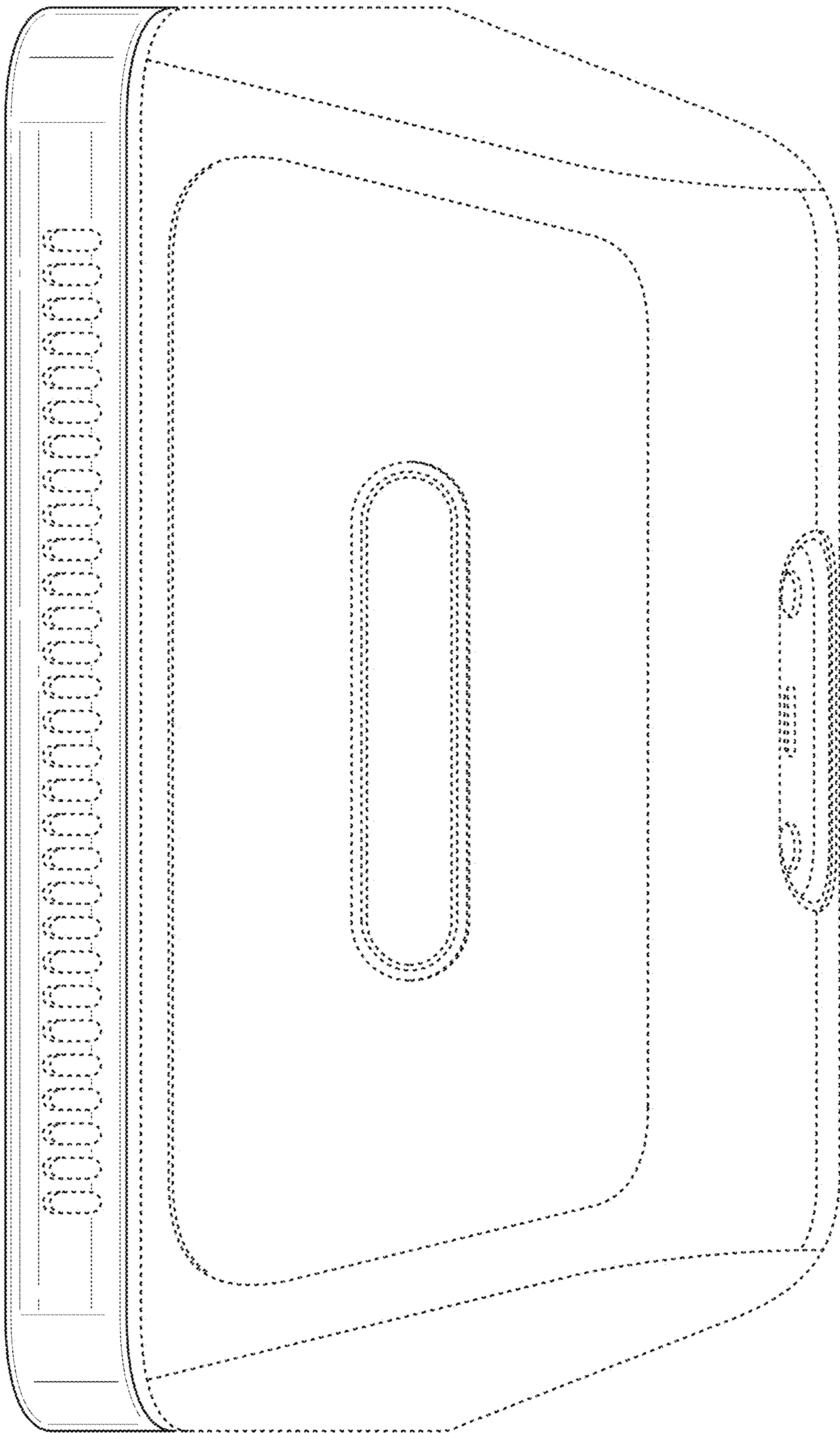


FIG. 7