



US00D954724S

(12) **United States Design Patent**  
**Fang et al.**

(10) **Patent No.:** **US D954,724 S**

(45) **Date of Patent:** **\*\* Jun. 14, 2022**

(54) **DISPLAY SCREEN OR PORTION THEREOF WITH A GRAPHICAL USER INTERFACE**

(71) Applicant: **BEIJING KONGMING TECHNOLOGY CO., LTD.**, Beijing (CN)

(72) Inventors: **Lei Fang**, Beijing (CN); **Lu Yu**, Beijing (CN); **Libin Chen**, Beijing (CN)

(73) Assignee: **BEIJING KONGMING TECHNOLOGY CO., LTD.**, Beijing (CN)

(\*\*) Term: **15 Years**

(21) Appl. No.: **29/766,509**

(22) Filed: **Jan. 15, 2021**

(30) **Foreign Application Priority Data**

Jul. 21, 2020 (CN) ..... 202030399099.3

(51) **LOC (13) Cl.** ..... **14-04**

(52) **U.S. Cl.**  
USPC ..... **D14/485**

(58) **Field of Classification Search**  
USPC ..... D14/485-488, 489-495  
CPC .... G06F 3/048; G06F 3/0481; G06F 3/04817;  
G06F 3/0482; G06F 3/0483; G06F  
3/04842; G06F 3/0485; G06F 3/04855;  
G06F 3/0486; G06F 3/0488; G06F  
3/04886; G06F 9/451; G06F 40/103;  
G06F 40/106; G06F 40/189; G06F  
40/191

See application file for complete search history.

(56) **References Cited**

**U.S. PATENT DOCUMENTS**

D544,876 S \* 6/2007 Yamazaki ..... D14/486  
D847,157 S \* 4/2019 Alvarez ..... D14/485

D847,184 S \* 4/2019 Chen ..... D14/486  
D877,763 S \* 3/2020 Inman ..... D14/486  
D878,394 S \* 3/2020 Ziezold ..... D14/485  
D881,225 S \* 4/2020 Elgena ..... D14/491  
D881,919 S \* 4/2020 Elgena ..... D14/491  
D890,782 S \* 7/2020 Ziezold ..... D14/485  
D890,809 S \* 7/2020 Liu ..... D14/488  
D896,250 S \* 9/2020 Washington ..... D14/486  
D933,686 S \* 10/2021 Kim ..... D14/485

**FOREIGN PATENT DOCUMENTS**

JP HJ3115050900 9/2019  
JP RJ0217392800 6/2020

\* cited by examiner

*Primary Examiner* — Sheryl Lane

*Assistant Examiner* — Nicole C Shiflet

(74) *Attorney, Agent, or Firm* — BakerHostetler

(57) **CLAIM**

We claim the ornamental design for a display screen or portion thereof with a graphical user interface, as shown and described.

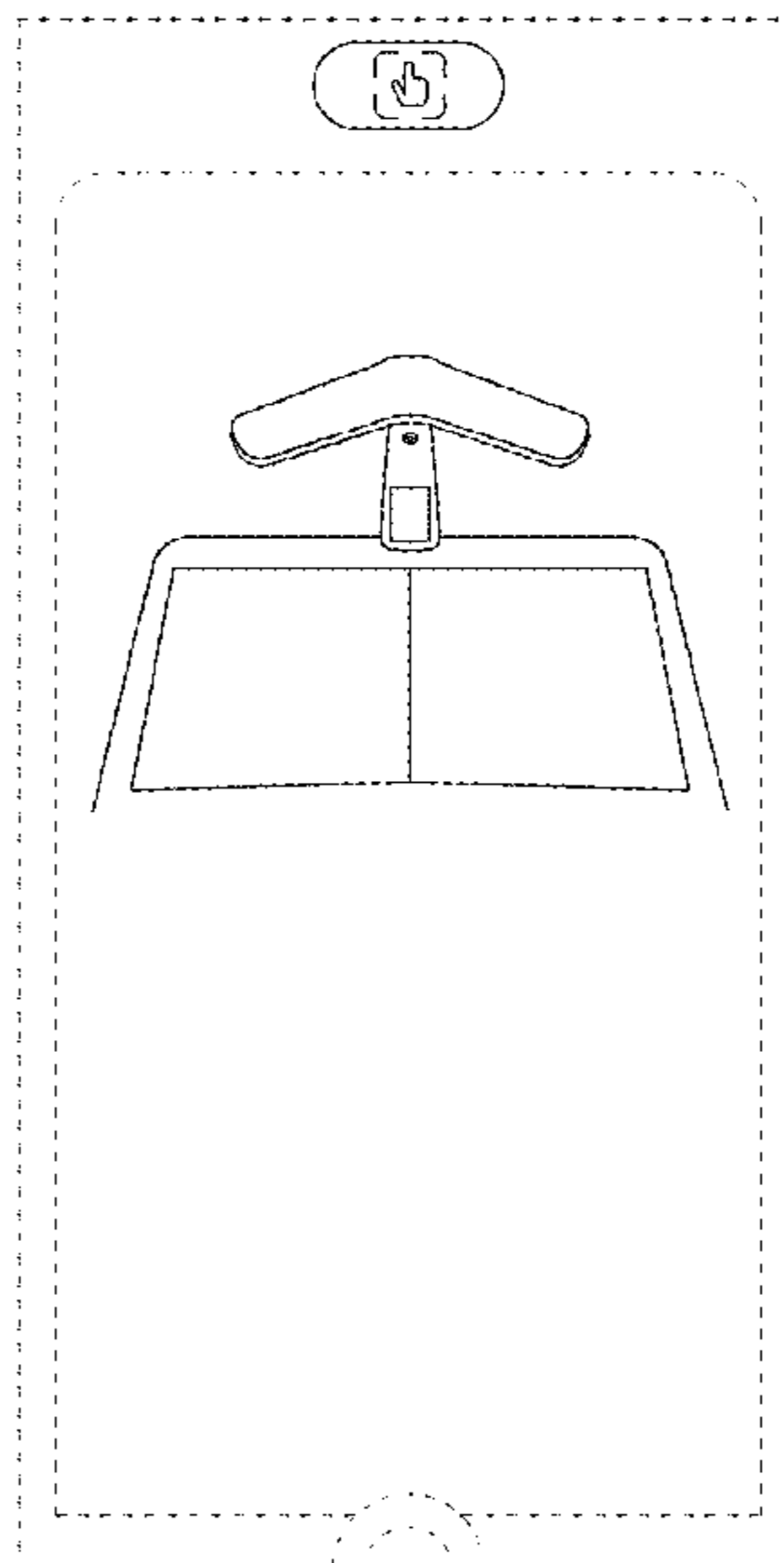
**DESCRIPTION**

FIG. 1 is a front view of a first embodiment of a display screen or portion thereof with a graphical user interface showing our new design; and,

FIG. 2 is a front view of a second embodiment thereof.

The outermost broken line rectangle illustrates a display screen or portion thereof and forms no part of the claimed design. The remaining broken lines illustrate portions of the graphical user interface that form no part of the claimed design.

**1 Claim, 1 Drawing Sheet**



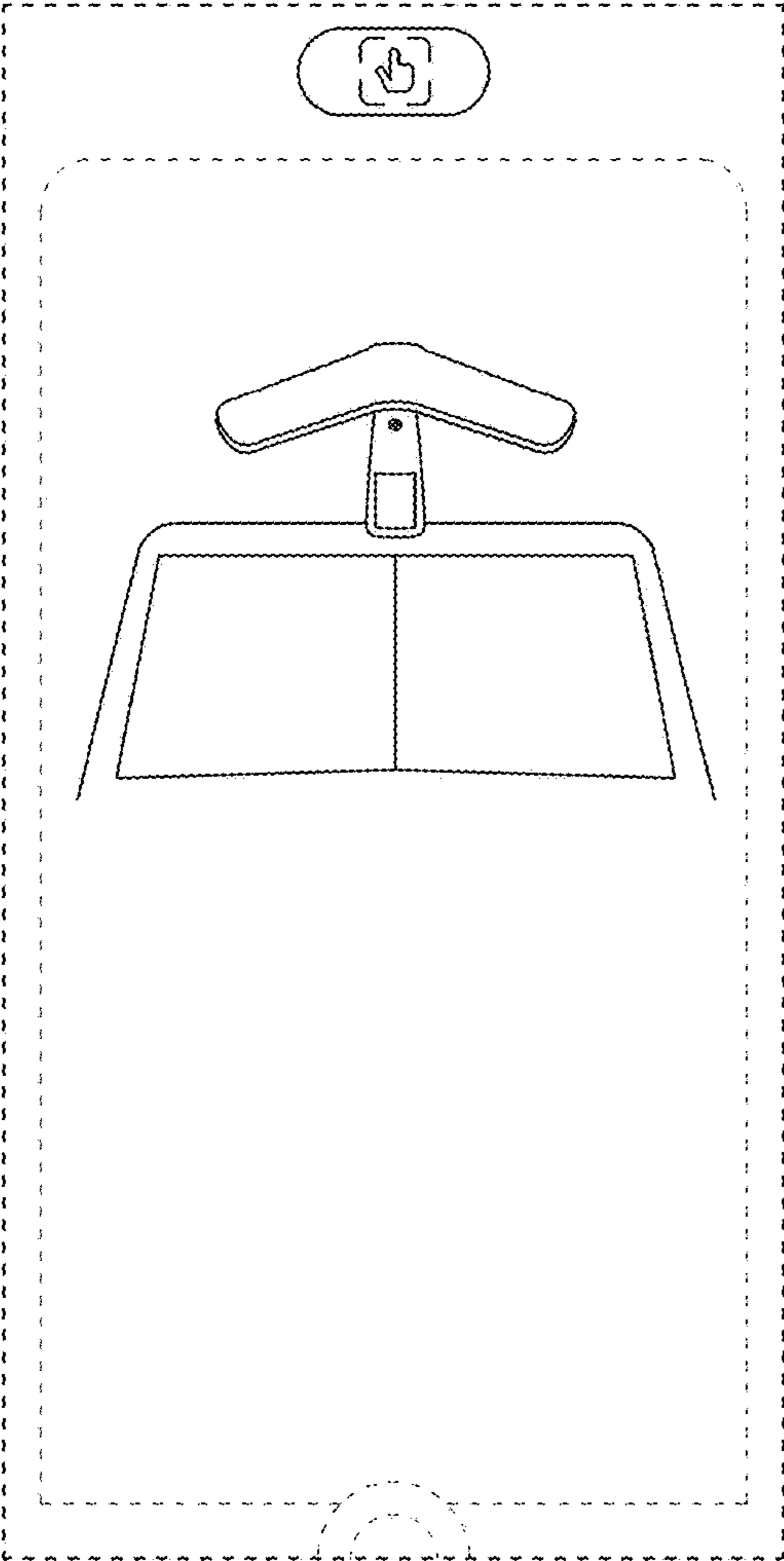


FIG. 1

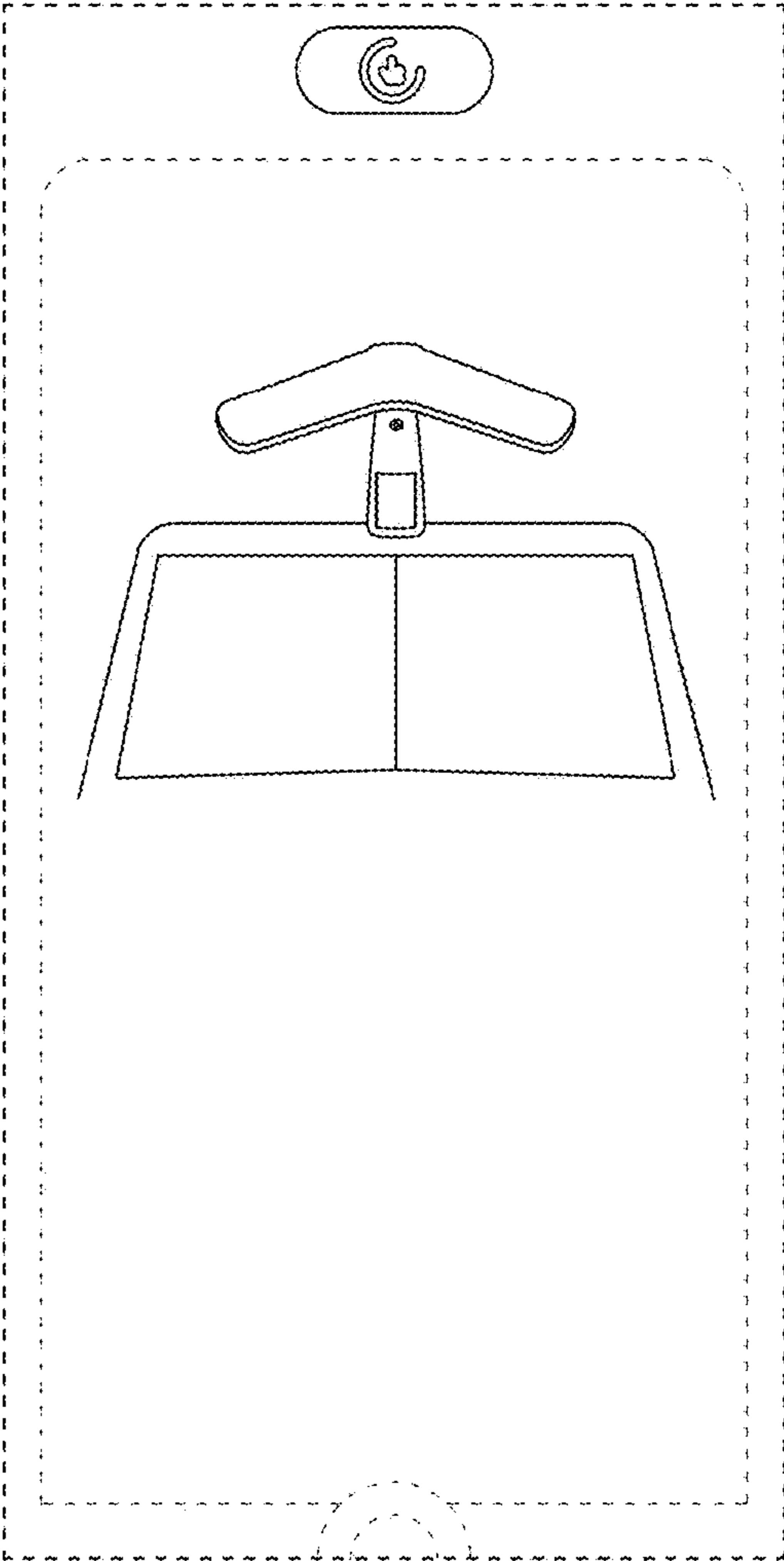


FIG. 2