



US00D954717S

(12) **United States Design Patent** (10) **Patent No.:** **US D954,717 S**  
**Entwistle** (45) **Date of Patent:** **\*\* Jun. 14, 2022**

(54) **STAND** 13/00; F16M 11/10; F16M 11/04; F16M 2200/08; F16M 11/2021; A47B 21/0314;  
(71) Applicant: **Urban Technologies Limited**, St. Albans (GB) A47B 88/044; A47B 2021/0335; H02G 3/126; F16B 47/00; F16B 47/006; A47G 1/17; A47K 2201/00  
(72) Inventor: **Michael Entwistle**, St. Albans (GB) See application file for complete search history.

(73) Assignee: **URBEN TECHNOLOGIES LIMITED**, St Albans (GB)

(56) **References Cited**

U.S. PATENT DOCUMENTS

(\*\*) Term: **15 Years**  
(21) Appl. No.: **29/762,094**  
(22) Filed: **Dec. 15, 2020**  
(30) **Foreign Application Priority Data**  
Jun. 16, 2020 (EM) ..... 008006522  
(51) **LOC (13) Cl.** ..... **14-02**  
(52) **U.S. Cl.**  
USPC ..... **D14/451**  
(58) **Field of Classification Search**  
USPC ..... D14/371-382, 125-129, 336, 337, D14/447-452, 492, 335, 376-382, 239, D14/457, 439-441, 432, 251-253; D8/349, 354, 363, 367, 372, 373, 376, D8/380, 382; D21/333; D12/415; D3/10, 218; 348/180, 184, 325, 739, 348/825; 248/323, 278.1, 286.1  
CPC ..... G06F 3/0412; G06F 3/016; G06F 3/0488; G06F 3/011; G06F 3/038; G06F 3/03543; G06F 3/0338; G06F 3/0202; G06F 3/0219; G06F 3/0213; G06F 1/1616; G06F 3/023; G06F 3/04883; G02F 1/13338; G02F 1/1313; G02F 1/1333; G02F 1/135; G02F 1/132; G02F 1/133308; G02F 1/134309; G02F 1/13718; G09G 3/3648; G06K 15/1252; B41J 2/465; G03F 7/70291; G02B 27/0172; G02B 5/30; G02B 2027/0118; G02B 27/0101; F16M 13/02; F16M

D615,514 S *	5/2010	Mellingen	.....	D14/126
D637,568 S *	5/2011	Desai	.....	D14/126
D637,985 S *	5/2011	Andresen	.....	D14/129
D651,185 S *	12/2011	Andresen	.....	D14/129
D700,901 S *	3/2014	Giglio	.....	D14/129
D722,043 S *	2/2015	Requa	.....	D14/217
D742,845 S *	11/2015	Ostensen	.....	D14/126
D756,321 S *	5/2016	Ostensen	.....	D14/126
D756,322 S *	5/2016	Ostensen	.....	D14/126
D839,864 S *	2/2019	Entwistle	.....	D14/251
D840,386 S *	2/2019	Entwistle	.....	D14/251

(Continued)

*Primary Examiner* — Katie Jane Stofko

(74) *Attorney, Agent, or Firm* — Withrow & Terranova, P.L.L.C.; Vincent K. Gustafson

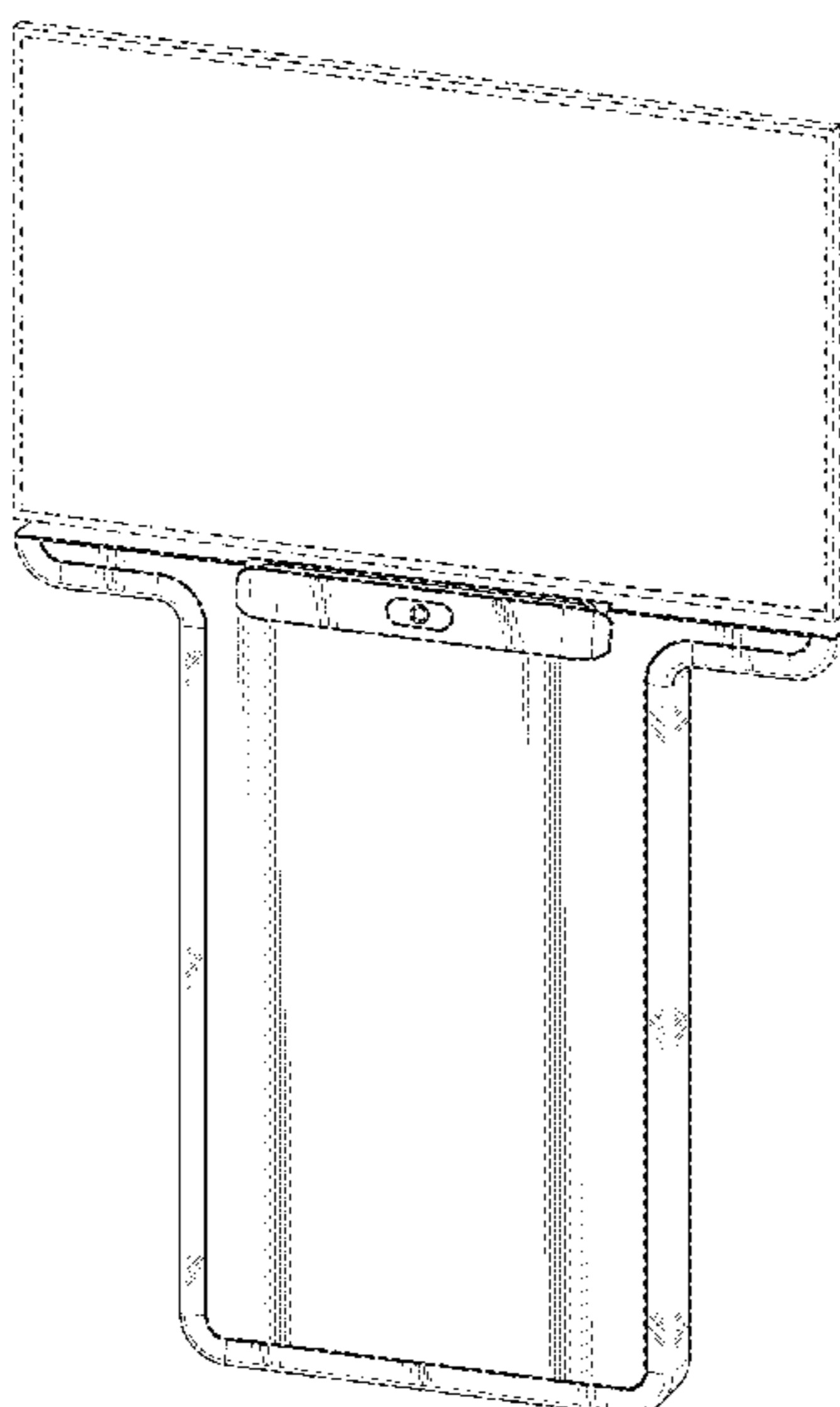
(57) **CLAIM**

The ornamental design for a stand, as shown and described.

**DESCRIPTION**

FIG. 1 is a front, top, right side perspective view of a stand according to the new invention;  
FIG. 2 is a front elevation view thereof;  
FIG. 3 is a rear elevation view thereof;  
FIG. 4 is a left side elevation view thereof;  
FIG. 5 is a right side elevation view thereof;  
FIG. 6 is a top plan view thereof; and,  
FIG. 7 is a bottom plan view thereof.  
The broken lines shown in FIGS. 1-7 illustrate portions of the stand that form no part of the claimed design.

**1 Claim, 7 Drawing Sheets**



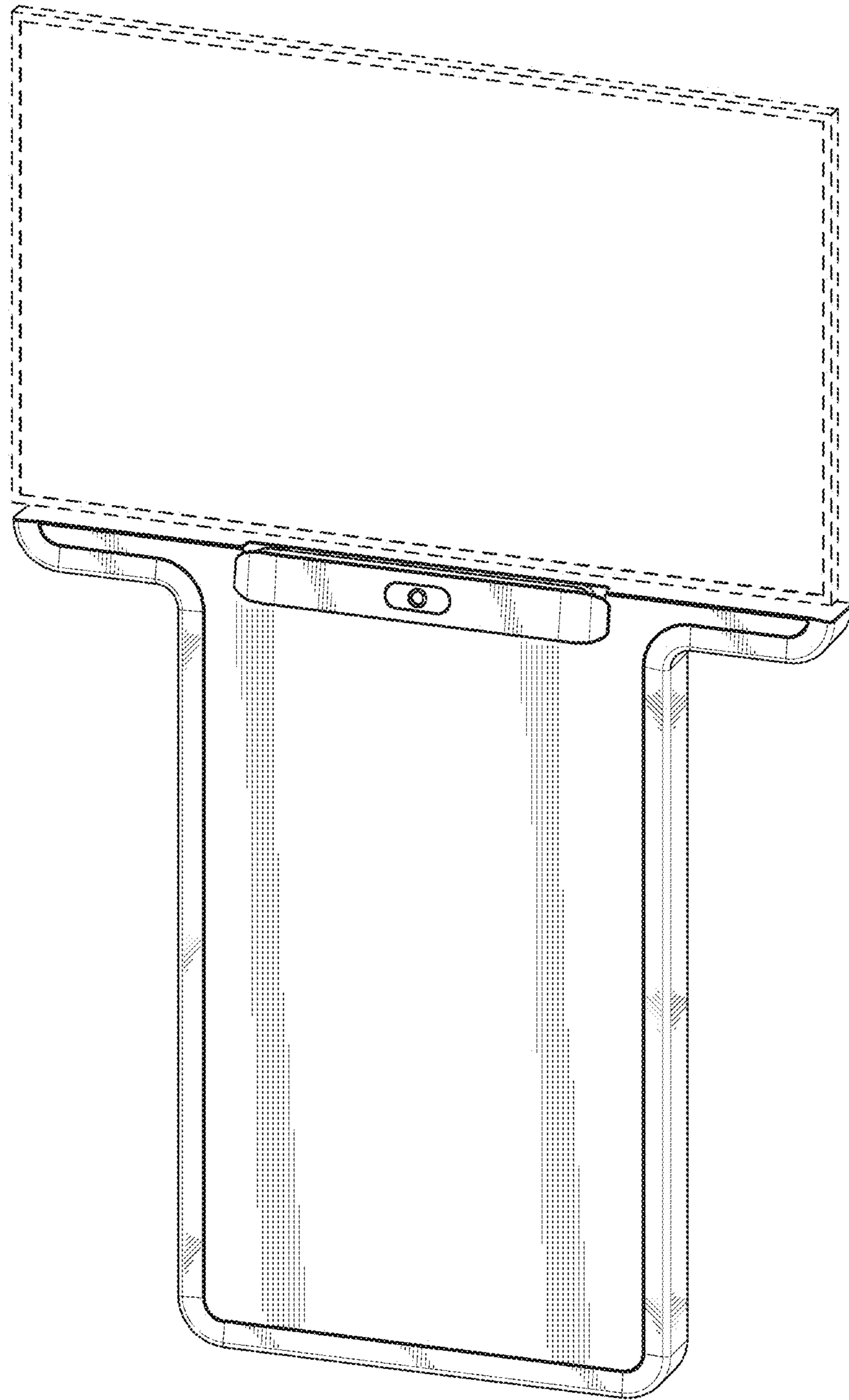
(56)

**References Cited**

U.S. PATENT DOCUMENTS

D840,387 S \* 2/2019 Entwistle ..... D14/251  
10,854,119 B2 \* 12/2020 Entwistle ..... G09F 7/10  
2019/0180656 A1 \* 6/2019 Entwistle ..... G09F 7/18

\* cited by examiner



*FIG. 1*

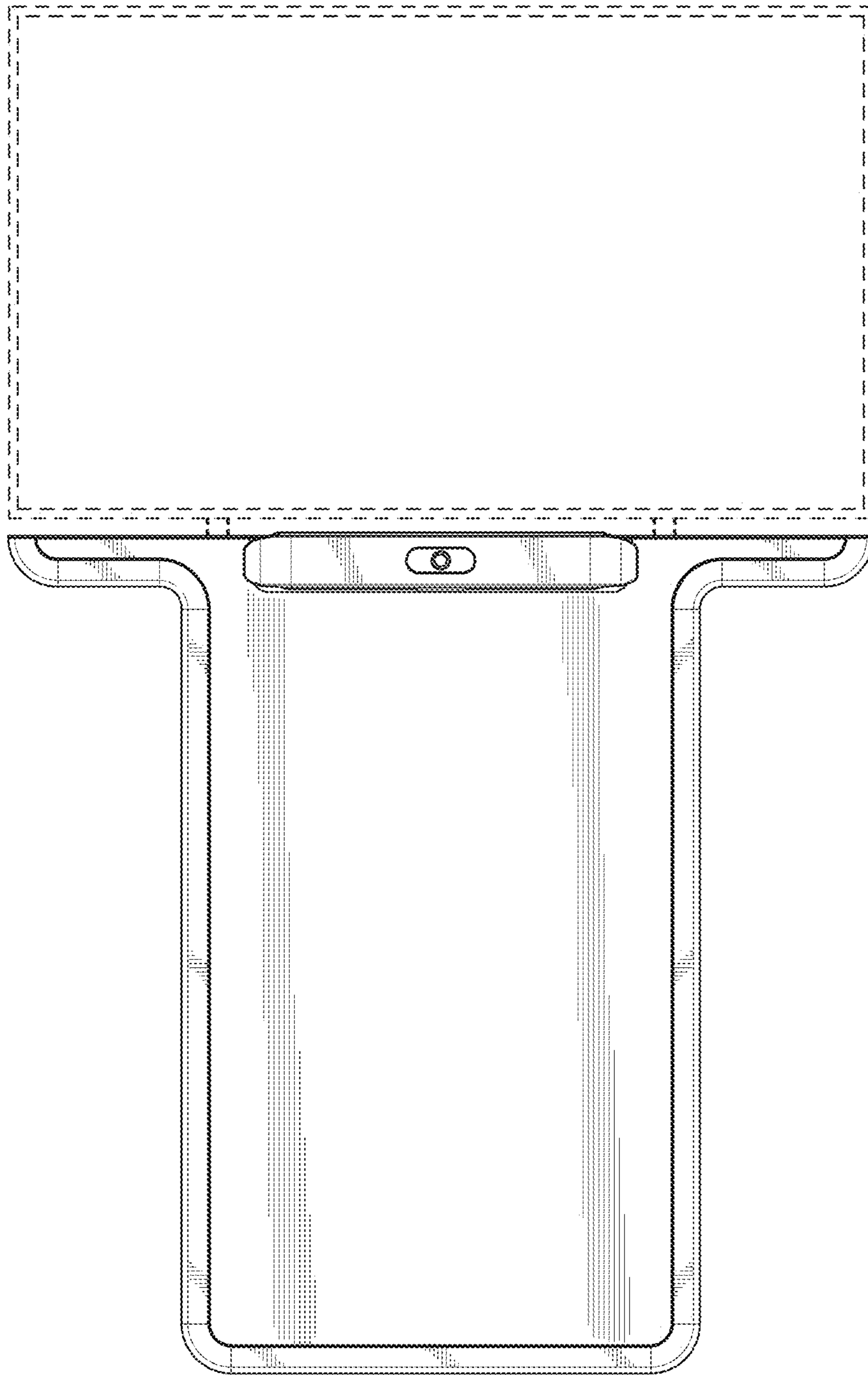


FIG. 2

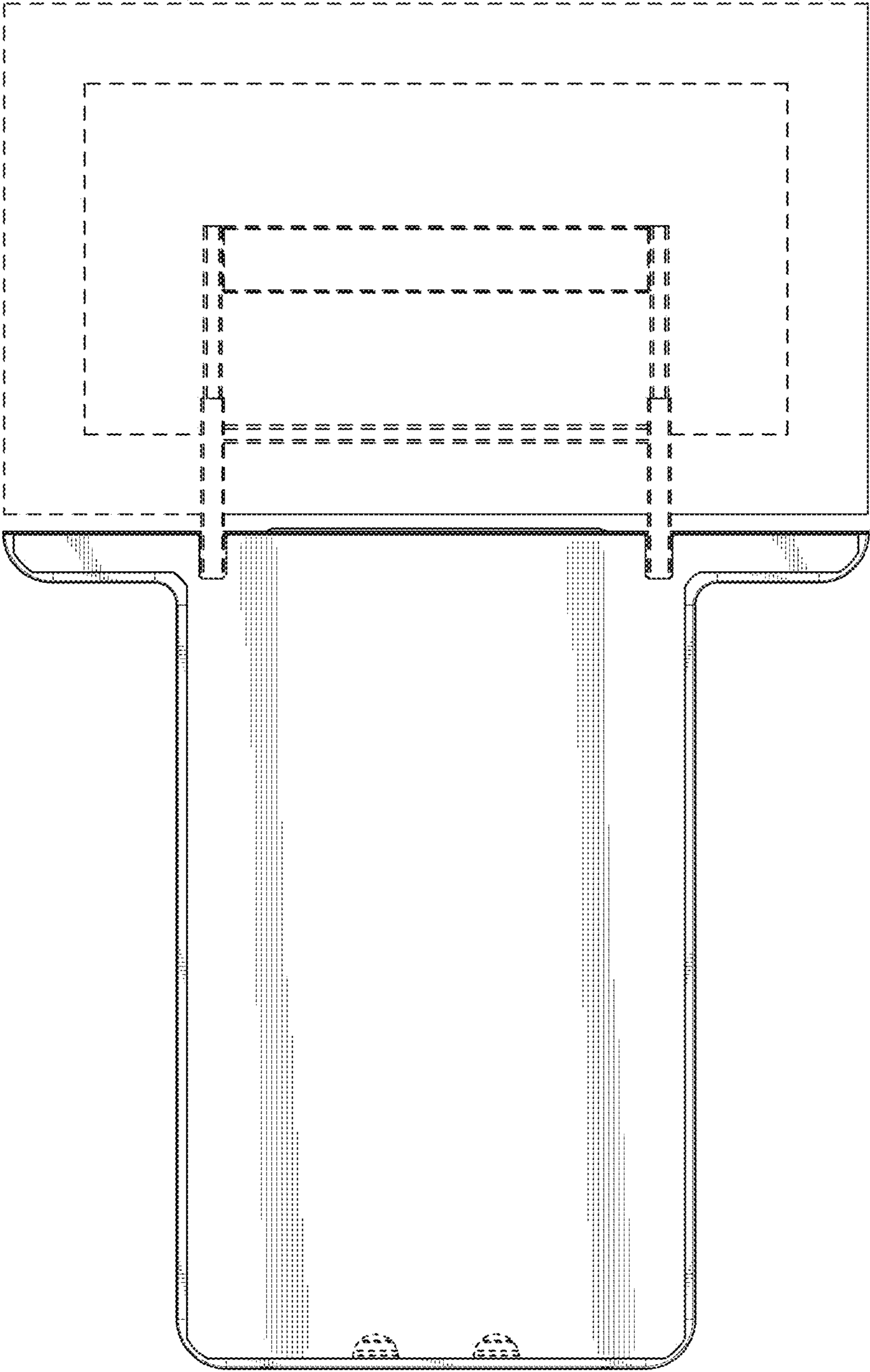
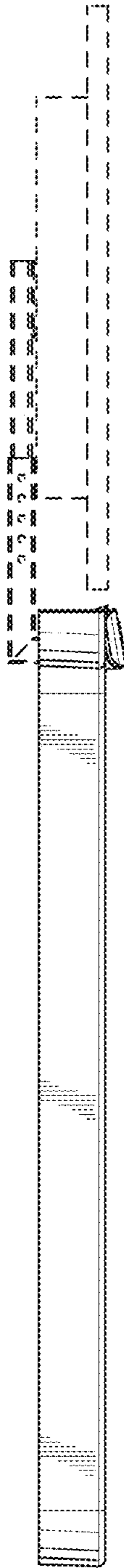
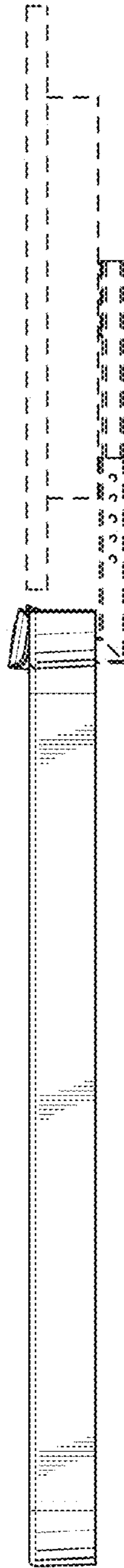


FIG. 3



**FIG. 4**



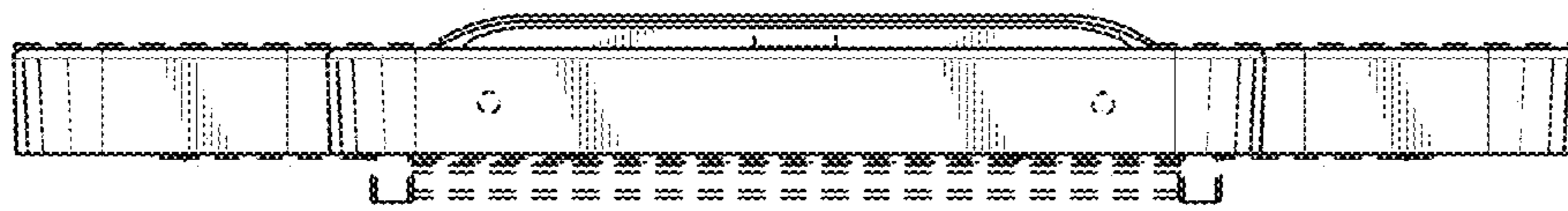


*FIG. 5*



*FIG. 6*





*FIG. 7*