



US00D954715S

(12) **United States Design Patent** (10) **Patent No.:** **US D954,715 S**  
**Wright et al.** (45) **Date of Patent:** **\*\* Jun. 14, 2022**

(54) **SLEEVE FOR ELECTRONIC DEVICE**  
 (71) Applicant: **Catalyst Lifestyle Limited**, North Point (HK)  
 (72) Inventors: **Joshua Wright**, Hong Kong (CN); **June Lai**, Hong Kong (CN)  
 (73) Assignee: **Catalyst Lifestyle Limited**, Hong Kong (CN)  
 (\*\*) Term: **15 Years**

(21) Appl. No.: **29/725,953**  
 (22) Filed: **Feb. 28, 2020**

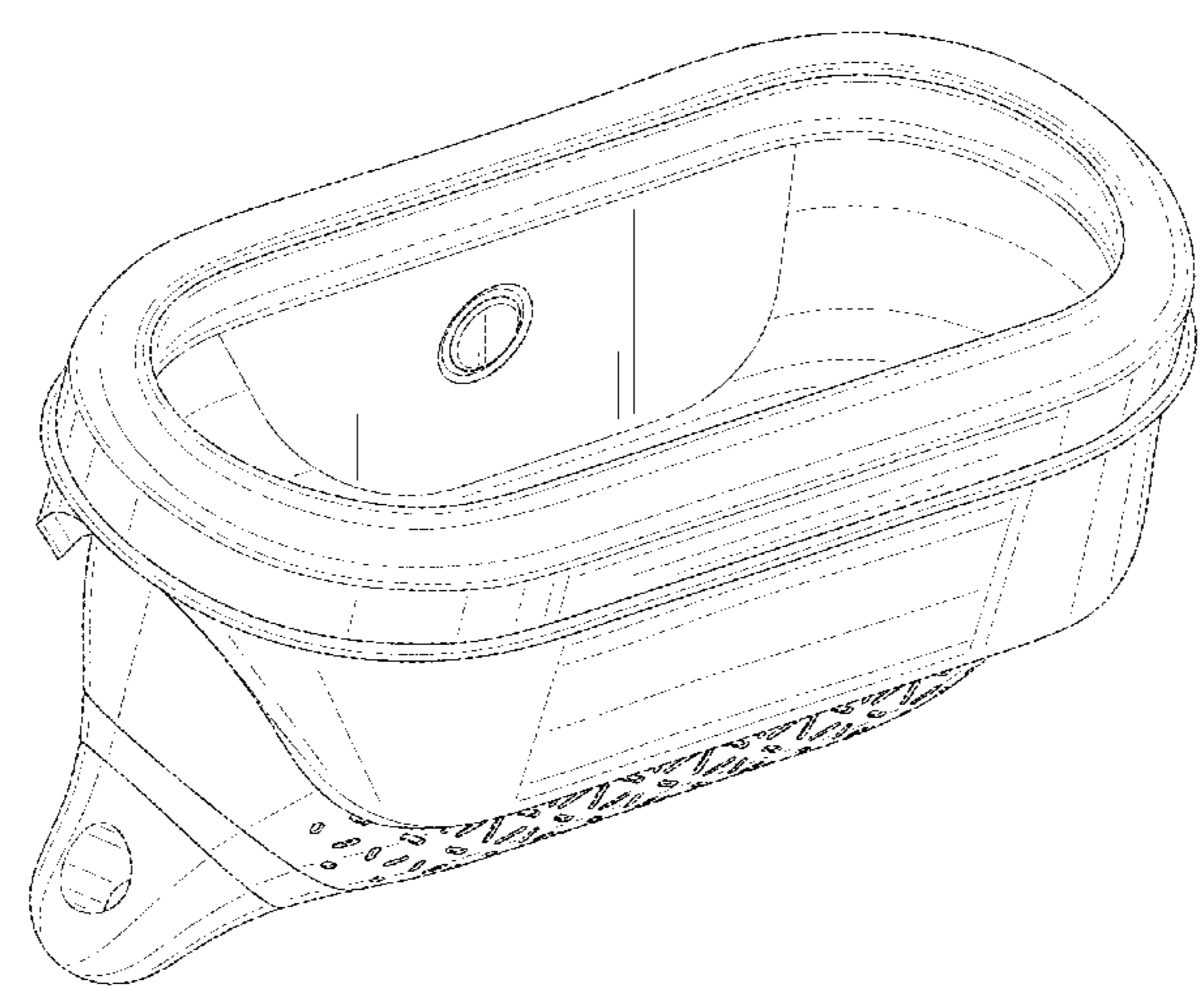
(30) **Foreign Application Priority Data**

Jan. 20, 2020 (CN) ..... 202030040529.2  
 (51) **LOC (13) Cl.** ..... **14-02**  
 (52) **U.S. Cl.**  
 USPC ..... **D14/440**  
 (58) **Field of Classification Search**  
 USPC ..... D14/440, 447, 250; 206/45.23, 320, 206/45.2; 361/679.55; 294/25; 224/218; D3/294; D9/420  
 CPC .... G06F 1/1628; G06F 1/1626; A47B 23/044  
 See application file for complete search history.

(56) **References Cited**  
 U.S. PATENT DOCUMENTS

4,907,694 A 3/1990 Miller et al.  
 D323,929 S 2/1992 Hodson  
 D338,102 S 8/1993 McGuire et al.  
 D348,268 S 6/1994 Chambers  
 D357,919 S 5/1995 Tsui  
 D362,542 S 9/1995 Richards et al.  
 D375,197 S 11/1996 Laherty  
 D377,788 S 2/1997 Carlson  
 D393,148 S 4/1998 Petruzzi  
 5,740,624 A 4/1998 Baseley  
 D399,604 S 10/1998 Wolff  
 D405,256 S 2/1999 Chacon et al.  
 D420,006 S 2/2000 Tonino

D423,509 S 4/2000 Park  
 6,068,119 A 5/2000 Derr et al.  
 D427,583 S 7/2000 Kazama  
 6,305,538 B1 10/2001 Jackson  
 D450,313 S 11/2001 Koinuma  
 D467,799 S \* 12/2002 Persson ..... D9/420  
 D468,296 S 1/2003 Graceffa  
 D475,696 S 6/2003 Hussaini et al.  
 D478,721 S 8/2003 Anderton  
 6,659,274 B2 12/2003 Enners  
 D496,031 S 9/2004 Ma et al.  
 6,817,470 B1 11/2004 Goldberg  
 D503,851 S 4/2005 Landow  
 D531,618 S 11/2006 Kennemer et al.  
 D558,973 S 1/2008 Hussaini et al.  
 7,347,325 B2 3/2008 O'Neill et al.  
 D569,608 S 5/2008 Rowe  
 D570,597 S 6/2008 Klein  
 D572,206 S 7/2008 Ikeda et al.  
 D592,400 S 5/2009 Nelson  
 D594,659 S 6/2009 Lown et al.  
 D595,952 S 7/2009 Nussberger  
 D596,393 S 7/2009 Leung et al.  
 D599,546 S 9/2009 Lown et al.  
 D600,913 S 9/2009 Kalbach  
 7,584,841 B2 9/2009 Chan et al.  
 D601,366 S 10/2009 Barabas et al.  
 D604,040 S 11/2009 Fleming  
 D605,175 S 12/2009 Maruska et al.  
 D614,402 S 4/2010 Lown et al.  
 D618,229 S 6/2010 de Jong et al.  
 D620,259 S 7/2010 Fahrenдорff et al.  
 7,775,354 B2 8/2010 Latchford et al.  
 D623,399 S 9/2010 McSweyn  
 D627,675 S 11/2010 Graham et al.  
 7,855,529 B2 12/2010 Liu  
 D642,159 S 7/2011 Joseph  
 D648,980 S \* 11/2011 Forti ..... D7/363  
 D666,408 S 9/2012 Neely, III  
 D666,821 S 9/2012 Phillips et al.  
 D666,824 S 9/2012 Phillips et al.  
 D666,826 S 9/2012 Phillips et al.  
 D669,272 S 10/2012 Yang et al.  
 D670,497 S 11/2012 Phillips et al.  
 D677,888 S 3/2013 Sogabe  
 8,399,764 B2 3/2013 Klosky  
 D681,613 S 5/2013 Magness et al.  
 D683,136 S 5/2013 Wilson et al.  
 D692,664 S 11/2013 Rashid  
 8,644,011 B2 2/2014 Parkinson  
 D707,041 S 6/2014 Park  
 D709,869 S 7/2014 Witter et al.  
 D711,866 S 8/2014 Kawata



# US D954,715 S

D714,296 S	9/2014	Fujioka		D878,754 S	*	3/2020	Lee	D3/270
8,831,538 B2	9/2014	Yuen		D881,179 S	*	4/2020	Wright	D14/250
D718,741 S	12/2014	Lui et al.		D881,181 S		4/2020	Wright et al.	
D718,750 S	12/2014	Young et al.		D881,566 S		4/2020	Lee et al.	
D720,096 S	12/2014	McDougall		D881,572 S	*	4/2020	Wang	D3/294
D720,718 S	1/2015	Stevinson		D881,867 S		4/2020	Lee et al.	
8,961,015 B1	2/2015	Bihn		D882,259 S		4/2020	Liu	
D723,461 S	3/2015	Chen		D886,453 S		6/2020	Wright et al.	
D731,178 S	* 6/2015	Gorouvein	D3/265	D887,401 S		6/2020	Wright et al.	
D732,681 S	6/2015	Matsuura		D888,036 S		6/2020	Wright et al.	
D733,696 S	7/2015	Burgett et al.		D888,039 S	*	6/2020	Wright	D14/250
9,090,385 B2	7/2015	Blagojevic		D888,040 S	*	6/2020	Wright	D14/250
D735,991 S	8/2015	Brennan et al.		D888,041 S	*	6/2020	Wright	D14/250
D740,653 S	10/2015	Akana et al.		D888,042 S	*	6/2020	Wright	D14/250
D748,606 S	2/2016	Abayomi et al.		D888,043 S	*	6/2020	Wright	D14/250
D751,558 S	3/2016	Lee		D888,408 S		6/2020	Lee et al.	
D757,685 S	5/2016	Park et al.		D891,771 S		8/2020	Lee et al.	
D759,632 S	6/2016	Fischer et al.		D892,497 S	*	8/2020	Wright	D3/294
D759,867 S	6/2016	Grandadam		D892,498 S	*	8/2020	Wright	D3/294
D764,476 S	8/2016	Gleason, III et al.		D892,499 S		8/2020	Wright et al.	
D766,215 S	9/2016	Mackiewicz et al.		D893,184 S		8/2020	Liu	
D766,905 S	9/2016	Lee		D894,156 S		8/2020	Pai	
D768,605 S	10/2016	Wong et al.		D897,678 S		10/2020	Koh	
D769,879 S	10/2016	Kim		D897,997 S		10/2020	Zhang	
D775,818 S	* 1/2017	Ingraham	D3/218	D903,316 S		12/2020	Kwak et al.	
D777,331 S	1/2017	Jayalath et al.		D904,760 S		12/2020	Hyun	
D780,740 S	3/2017	Kim		D907,009 S		1/2021	Akana et al.	
D781,295 S	3/2017	Tur		D908,084 S		1/2021	He	
D790,510 S	6/2017	Xiao		D911,711 S	*	3/2021	Feng	D3/294
D790,512 S	6/2017	Lee		D914,604 S		3/2021	Wang	
D794,617 S	8/2017	Wright et al.		D918,174 S		5/2021	Czaniecki et al.	
D794,618 S	8/2017	Wright et al.		D918,579 S		5/2021	Youn	
9,733,054 B2	8/2017	Blagojevic		D920,235 S		5/2021	Liu	
D800,700 S	10/2017	Bergman		11,039,523 B2	*	6/2021	Wang	H05B 47/12
D801,346 S	10/2017	Oberpriller et al.		D926,470 S	*	8/2021	Luo	D3/294
D805,502 S	12/2017	Zhuang		D927,181 S	*	8/2021	Jung	D3/294
D806,082 S	12/2017	Armstrong et al.		D928,165 S		8/2021	Li	
D806,388 S	1/2018	Akana et al.		D929,879 S		9/2021	Paschke et al.	
D812,065 S	3/2018	Shim		D932,462 S		10/2021	Wu et al.	
D823,311 S	7/2018	Oberpriller et al.		D933,045 S		10/2021	Jin	
D824,366 S	7/2018	Luo et al.		D933,602 S		10/2021	Zhang	
D829,192 S	9/2018	Liu		D934,563 S		11/2021	Xiang	
D831,002 S	10/2018	Distefano et al.		D934,869 S		11/2021	Wright et al.	
D836,478 S	12/2018	Wright et al.		D935,179 S		11/2021	Liu	
D838,265 S	1/2019	Wright et al.		D936,361 S		11/2021	Chun	
D838,480 S	* 1/2019	Son	D3/294	D938,430 S		12/2021	Feng	
D838,723 S	1/2019	Wang		D939,212 S		12/2021	Saxton et al.	
D841,580 S	* 2/2019	Bao	D13/108	D941,023 S		1/2022	Lee et al.	
D841,581 S	* 2/2019	Bonahoom	D13/108	D941,762 S		1/2022	Ye	
D846,264 S	4/2019	Wu		2003/0218445 A1		11/2003	Behar	
D847,807 S	5/2019	Wright et al.		2007/0261978 A1		11/2007	Sanderson	
D848,013 S	5/2019	Fuhner et al.		2011/0017620 A1		1/2011	Latchiford et al.	
D849,401 S	* 5/2019	Akana	D3/274	2015/0014367 A1		1/2015	VanSyckel	
D850,224 S	6/2019	James et al.		2015/0195938 A1		7/2015	Witter et al.	
D852,372 S	6/2019	Fuhner et al.		2016/0240945 A1		8/2016	Lee et al.	
D854,022 S	7/2019	Chen		2019/0372377 A1		12/2019	Weinstein et al.	
D856,310 S	8/2019	Lu		2020/0100573 A1	*	4/2020	Ekelund	A45C 11/00
D862,416 S	10/2019	Czaniecki et al.		2020/0304899 A1		9/2020	Cramer et al.	
D862,425 S	* 10/2019	Yan	D14/223	2021/0029424 A1		1/2021	Wright et al.	
D862,435 S	* 10/2019	Kwak	D14/240	2021/0181012 A1		6/2021	Simmendinger	
D864,110 S	* 10/2019	Yoshimura	D13/108	2021/0345742 A1		11/2021	Wright et al.	
D864,971 S	* 10/2019	Lee	D14/440	2021/0376636 A1		12/2021	Takami et al.	
D865,717 S	11/2019	Wang		2021/0377646 A1		12/2021	Luo	
D868,453 S	12/2019	Lee et al.						
D868,465 S	* 12/2019	Lee	D3/269					
D869,147 S	* 12/2019	Lian	D3/201					
D869,161 S	* 12/2019	Zhong	D3/294					
D869,163 S	* 12/2019	Maguire	D3/301					
D869,675 S	12/2019	Hitscherich et al.						
D870,037 S	* 12/2019	Lee	D13/107					
D870,451 S	* 12/2019	Birger	D3/201					
D872,094 S	* 1/2020	Wright	D14/440					
D872,468 S	* 1/2020	Lee	D3/269					
D872,469 S	* 1/2020	Lee	D3/269					
D872,723 S	1/2020	Lee et al.						
D872,724 S	1/2020	Lee et al.						
D873,217 S	* 1/2020	Zhang	D13/108					
D874,826 S	* 2/2020	Zhang	D3/303					
D878,045 S	* 3/2020	Akana	D3/274					

## FOREIGN PATENT DOCUMENTS

CN	3160446 S	9/2000
CN	301100826 S	1/2010
CN	301206950 S	5/2010
CN	301304263 S	8/2010
CN	301908776 S	5/2012
CN	302075062 S	9/2012
CN	302246979 S	12/2012
CN	302302598 S	1/2013
CN	302706977 S	1/2014
CN	302822402 S	5/2014
CN	303054765 S	12/2014
CN	303092548 S	2/2015
CN	304021713 S	2/2017

CN	304239640	S	8/2017
CN	304317772	S	10/2017
CN	304335071	S	10/2017
CN	304335072	S	10/2017
CN	304342633	S	11/2017
CN	304344793	S	11/2017
CN	304351321	S	11/2017
CN	304362692	S	11/2017
CN	304372544	S	11/2017
CN	206744792	U	12/2017
CN	304382968	S	12/2017
CN	304382972	S	12/2017
CN	304469866	S	1/2018
CN	304477001	S	1/2018
CN	304493923	S	2/2018
CN	304499444	S	2/2018
CN	304501780	S	2/2018
CN	304504641	S	2/2018
CN	304539055	S	3/2018
CN	304983166	S	1/2019
CN	208581338	U	3/2019
CN	208939608	U	6/2019
DE	202018105634	U1	11/2018
DE	202018105634	U1	12/2018
GB	6089804		5/2020
GB	6111653		1/2021
JP	D1574277		3/2017
JP	D1674536	S	12/2020
KR	300355285		6/2004
KR	300384969		6/2005
KR	20130028536	A	3/2013
KR	200488427	Y1	1/2019
KR	301103925.0000		6/2021

OTHER PUBLICATIONS

Kim1991tae. "AirPod Case Catalyst." Naver, Aug. 9, 2017. Web. <https://blog.naver.com/kim1991tae/221070237784>.  
Office Action dated May 7, 2020 pertaining to Design U.S. Appl. No. 29/709,817, filed Oct. 17, 2019, 18 pgs.  
Office Action dated Apr. 29, 2020 pertaining to U.S. Appl. No. 16/458,476, filed Jul. 1, 2019, 11 pgs.  
Breville Smart Oven Review, publication date Sep. 10, 2013, [online][site visited Apr. 30, 2020] URL: <https://www.cnet.com/reviews/breville-smart-oven-review/> (Year: 2013).  
Linear DNT Garage Door Remote Control, earliest photo verified date on webarchive Jul. 23, 2016, [online][site visited Apr. 30, 2020] URL: <https://dooropenersandmore.com/linear-dnt00026-mini-remote-control> (Year: 2016).  
Office Action dated Jun. 24, 2020 pertaining to Design U.S. Appl. No. 29/677,855, filed Jan. 24, 2019, 28 pgs.  
Notice of Allowance and Fee(s) Due dated Apr. 9, 2020 pertaining to U.S. Appl. No. 29/665,170, filed Oct. 1, 2018, 21 pgs.  
This AirPods Accessory is strangely awesome—Catalyst AirPods Case, publication date Apr. 7, 2017, [online][site visited Sep. 9, 2019] URL: <https://www.cnet.com/news/coming-soon-a-waterproof-case-for-your-airpods-case/> (Year: 2017).  
This glow-in-the-dark,waterproof AirPods case—Catalist AirPods Case, publication date Apr. 14, 2017, [online][site visited Sep. 9, 2019] URL:<https://www.theverge.com/circuitbreaker/2017/4/14/15306100/catalyst-case-airpods-sale-glow-in-the-dark> (Year: 2017).  
Kim1991tae. "AirPod Case Catalyst." Naver, Aug. 9, 2017. Web. <http://blog.naver.com/kim1991tae/221070237784>.  
Waterproof and Drop Proof Case for Beats Studio Buds, announced © 2022 [online], retrieved Jan. 28, 2022, retrieved from internet, <https://www.catalystlifestyle.com/products/waterproof-and-drop-proof-case-for-beats-studio-buds? Variant=39614953455725>.  
Waterproof Case for Google Pixel Buds 2, announced © 2022 [online], retrieved Jan. 28, 2022, retrieved from internet, <https://www.catalystlifestyle.com/collections/google/products/waterproof-case-for-google-pixel-buds-2? variant=32716947325037>.  
Klipsch T5 II True Wireless Sport Earphones in Black with Dust/Waterproof Case, announced Jul. 13, 2021 [online], retrieved Jan. 28, 2022, retrieved from internet, <https://www.ubuy.co.id/en/product/D29P6JM-klipsch-t5-ii-true-wireless-sport-earphones-black>.

Pelican Protector, announced Dec. 24, 2020 [online], retrieved Jan. 28, 2022, retrieved from internet, <https://case-mate.com/products/pelican-protector-airpods-co?currency=USD&variant=34430702354568>.

U.S. Office Action dated Feb. 2, 2022 pertaining to U.S. Appl. No. 29/726,011, filed Feb. 28, 2020, 15 pages.

U.S. Office Action dated Feb. 2, 2022 pertaining to U.S. Appl. No. 29/712,868, filed Nov. 12, 2019, 112 pages.

\* cited by examiner

Primary Examiner — Cynthia R Underwood  
(74) Attorney, Agent, or Firm — Dinsmore & Shohl LLP

(57) CLAIM

The ornamental design for a sleeve for electronic device, as shown and described.

DESCRIPTION

FIG. 1 is a perspective view including the front, top, and side of an embodiment of a sleeve for electronic device;  
FIG. 2 is a front elevation view of the sleeve for electronic device of FIG. 1;  
FIG. 3 is a rear elevation view of the sleeve for electronic device of FIG. 1;  
FIG. 4 is a side elevation of the sleeve for electronic device of FIG. 1;  
FIG. 5 is an opposite side elevation view of the sleeve for electronic device of FIG. 1;  
FIG. 6 is a top plan view of the sleeve for electronic device of FIG. 1;  
FIG. 7 is a bottom plan view of the sleeve for electronic device of FIG. 1;  
FIG. 8 is a perspective view including the front, top, and side of an embodiment of a sleeve for electronic device;  
FIG. 9 is a front elevation view of the sleeve for electronic device of FIG. 8;  
FIG. 10 is a rear elevation view of the sleeve for electronic device of FIG. 8;  
FIG. 11 is a side elevation of the sleeve for electronic device of FIG. 8;  
FIG. 12 is an opposite side elevation view of the sleeve for electronic device of FIG. 8;  
FIG. 13 is a top plan view of the sleeve for electronic device of FIG. 8;  
FIG. 14 is a bottom plan view of the sleeve for electronic device of FIG. 8;  
FIG. 15 is a perspective view including the front, top, and side of an embodiment of a sleeve for electronic device;  
FIG. 16 is a front elevation view of the sleeve for electronic device of FIG. 15;  
FIG. 17 is a rear elevation view of the sleeve for electronic device of FIG. 15;  
FIG. 18 is a side elevation of the sleeve for electronic device of FIG. 15;  
FIG. 19 is an opposite side elevation view of the sleeve for electronic device of FIG. 15;  
FIG. 20 is a top plan view of the sleeve for electronic device of FIG. 15;  
FIG. 21 is a bottom plan view of the sleeve for electronic device of FIG. 15;  
FIG. 22 is a perspective view including the front, top, and side of an embodiment of a sleeve for electronic device;  
FIG. 23 is a front elevation view of the sleeve for electronic device of FIG. 22;

FIG. 24 is a rear elevation view of the sleeve for electronic device of FIG. 22;  
FIG. 25 is a side elevation of the sleeve for electronic device of FIG. 22;  
FIG. 26 is an opposite side elevation view of the sleeve for electronic device of FIG. 22;  
FIG. 27 is a top plan view of the sleeve for electronic device of FIG. 22;  
FIG. 28 is a bottom plan view of the sleeve for electronic device of FIG. 22;  
FIG. 29 is a perspective view including the front, top, and side of an embodiment of a sleeve for electronic device;  
FIG. 30 is a front elevation view of the sleeve for electronic device of FIG. 29;  
FIG. 31 is a rear elevation view of the sleeve for electronic device of FIG. 29;  
FIG. 32 is a side elevation of the sleeve for electronic device of FIG. 29;  
FIG. 33 is an opposite side elevation view of the sleeve for electronic device of FIG. 29;  
FIG. 34 is a top plan view of the sleeve for electronic device of FIG. 29;  
FIG. 35 is a bottom plan view of the sleeve for electronic device of FIG. 29;  
FIG. 36 is a perspective view including the front, top, and side of an embodiment of a sleeve for electronic device;  
FIG. 37 is a front elevation view of the sleeve for electronic device of FIG. 36;  
FIG. 38 is a rear elevation view of the sleeve for electronic device of FIG. 36;  
FIG. 39 is a side elevation of the sleeve for electronic device of FIG. 36;  
FIG. 40 is an opposite side elevation view of the sleeve for electronic device of FIG. 36;

FIG. 41 is a top plan view of the sleeve for electronic device of FIG. 36;  
FIG. 42 is a bottom plan view of the sleeve for electronic device of FIG. 36;  
FIG. 43 is a perspective view including the front, top, and side of an embodiment of a sleeve for electronic device;  
FIG. 44 is a front elevation view of the sleeve for electronic device of FIG. 43;  
FIG. 45 is a rear elevation view of the sleeve for electronic device of FIG. 43;  
FIG. 46 is a side elevation of the sleeve for electronic device of FIG. 43;  
FIG. 47 is an opposite side elevation view of the sleeve for electronic device of FIG. 43;  
FIG. 48 is a top plan view of the sleeve for electronic device of FIG. 43;  
FIG. 49 is a bottom plan view of the sleeve for electronic device of FIG. 43;  
FIG. 50 is a perspective view including the front, top, and side of an embodiment of a sleeve for electronic device;  
FIG. 51 is a front elevation view of the sleeve for electronic device of FIG. 50;  
FIG. 52 is a rear elevation view of the sleeve for electronic device of FIG. 50;  
FIG. 53 is a side elevation of the sleeve for electronic device of FIG. 50;  
FIG. 54 is an opposite side elevation view of the sleeve for electronic device of FIG. 50;  
FIG. 55 is a top plan view of the sleeve for electronic device of FIG. 50; and,  
FIG. 56 is a bottom plan view of the sleeve for electronic device of FIG. 50.  
The broken lines depict portions of the sleeve for electronic device that form no part of the claimed design.

**1 Claim, 56 Drawing Sheets**

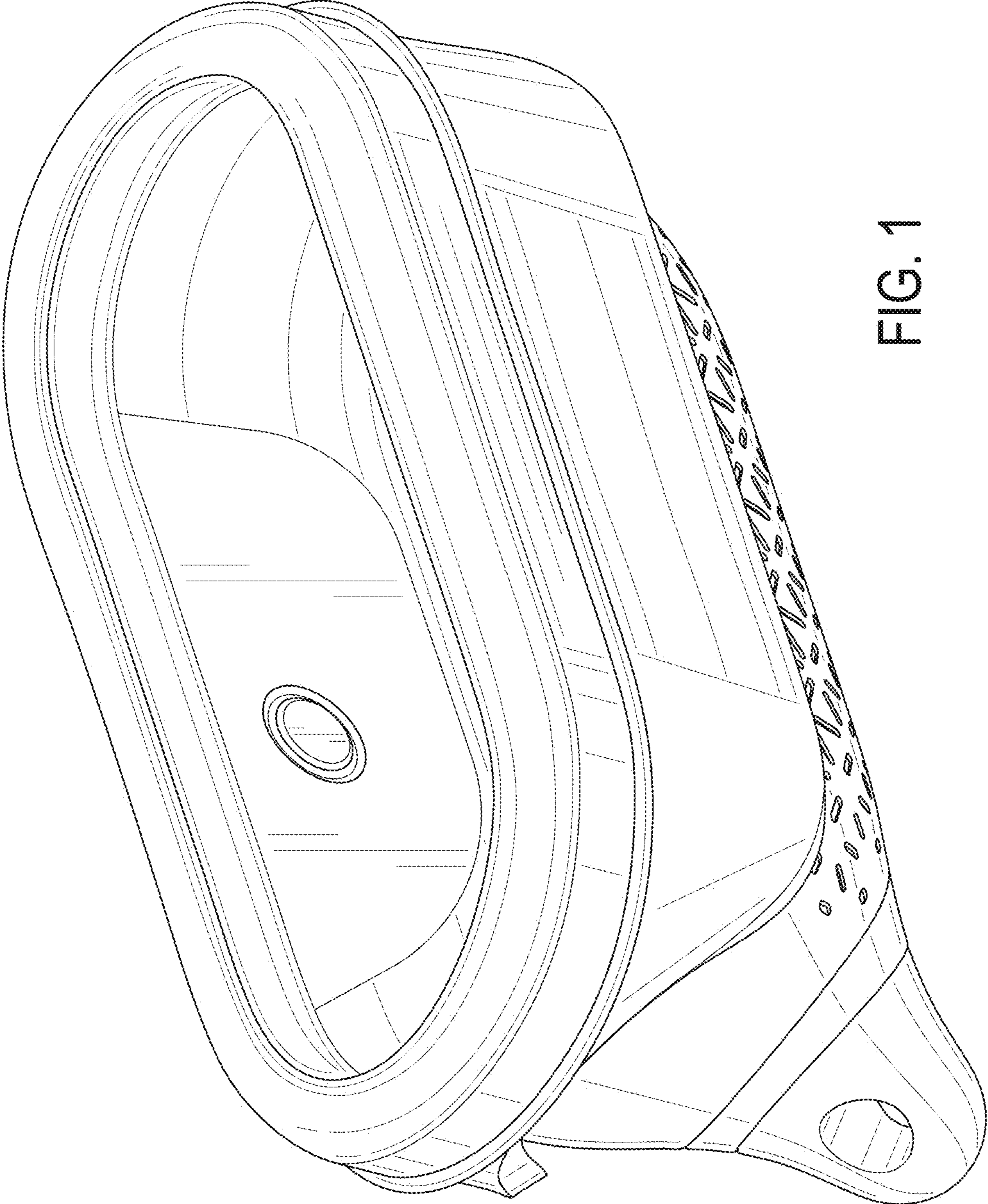


FIG. 1

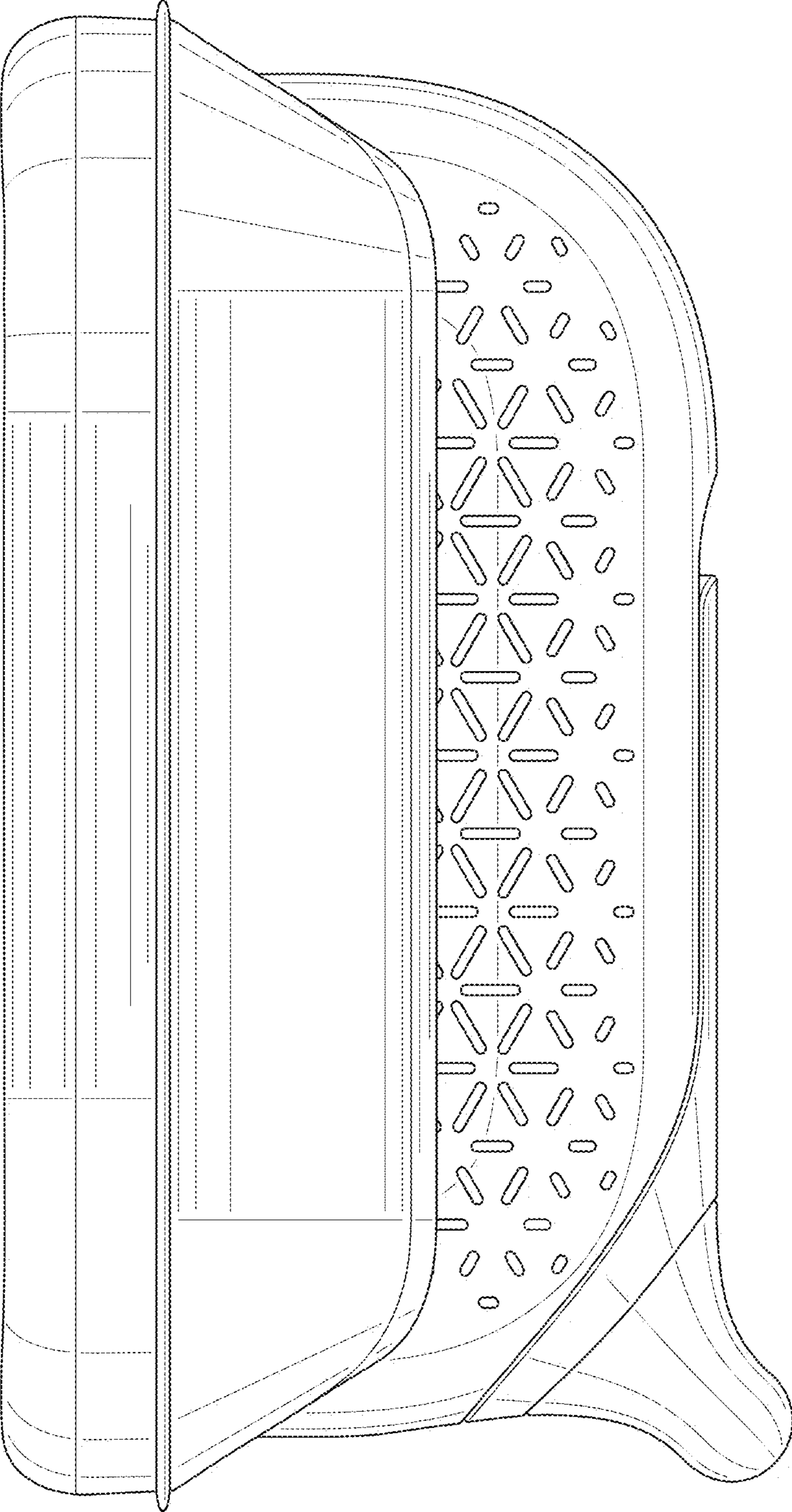


FIG. 2

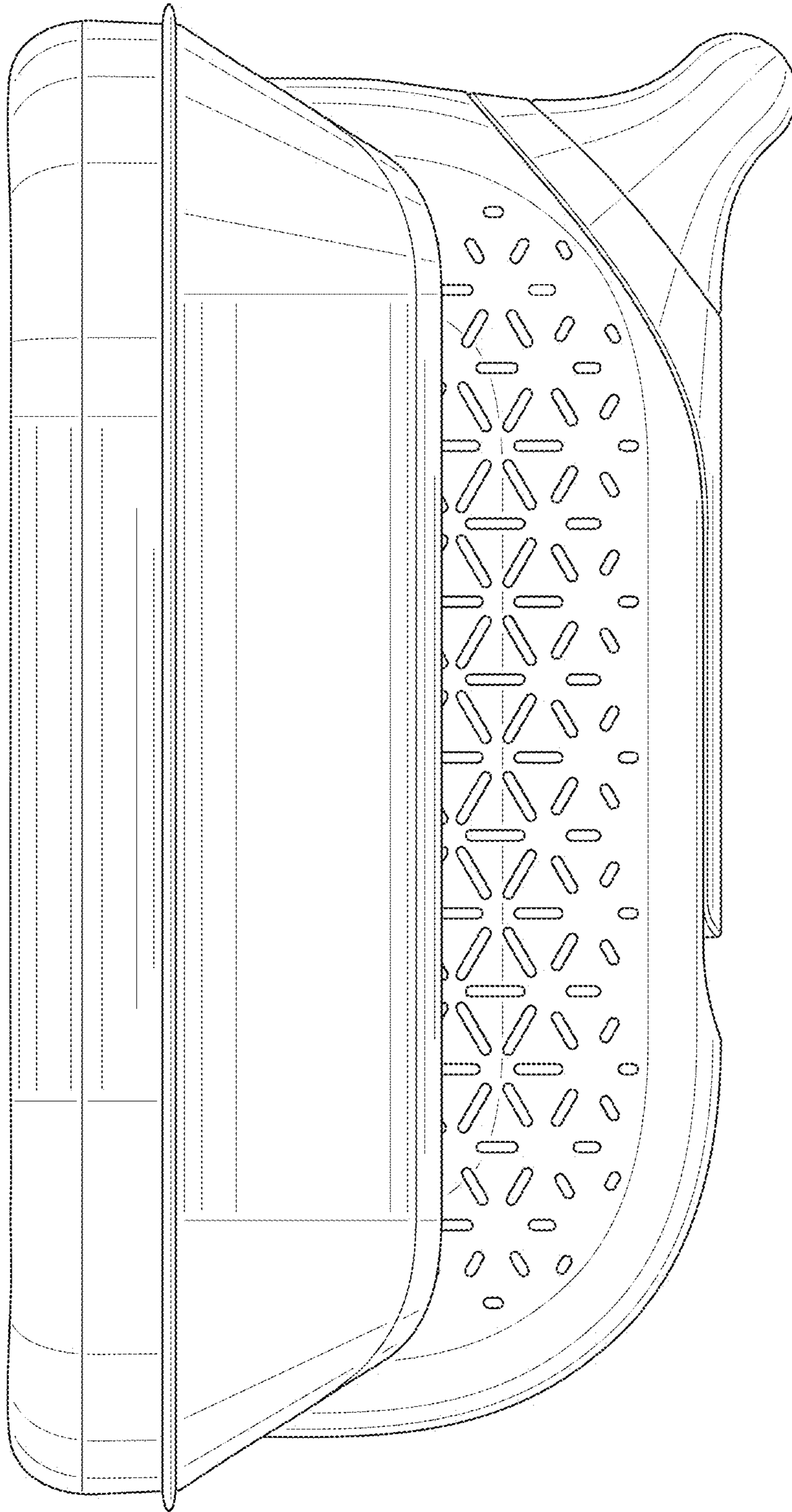


FIG. 3

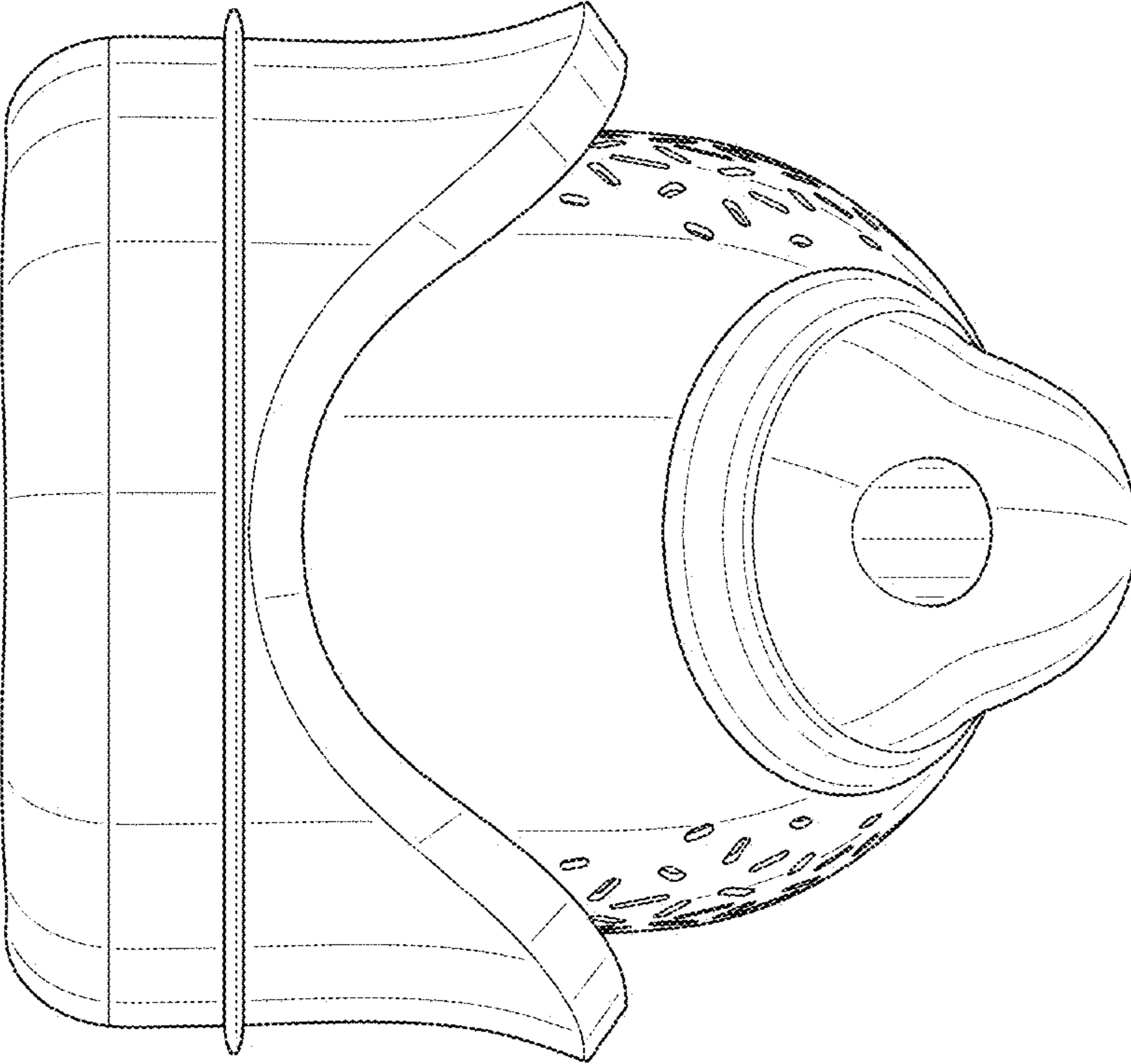


FIG. 4



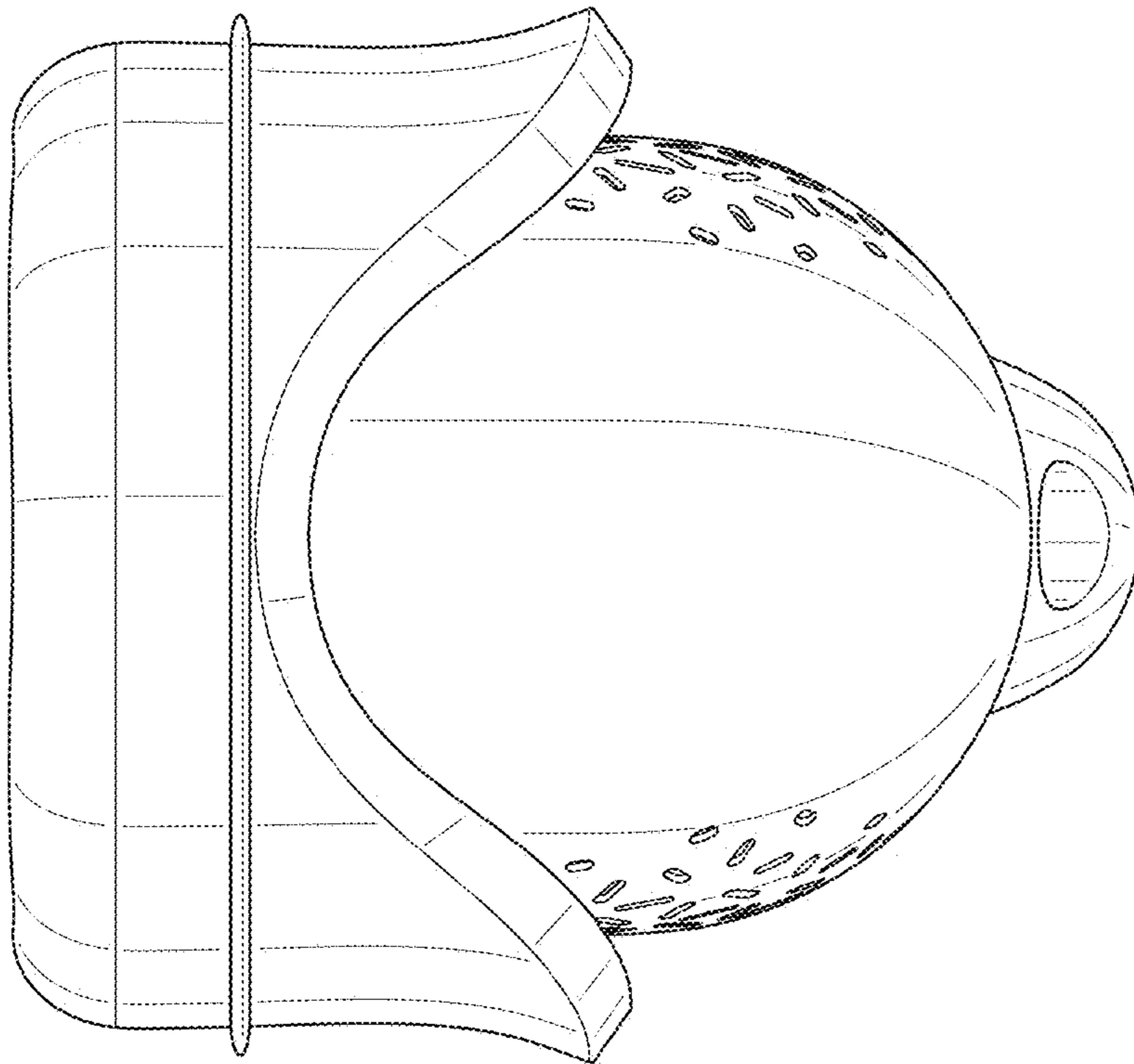


FIG. 5

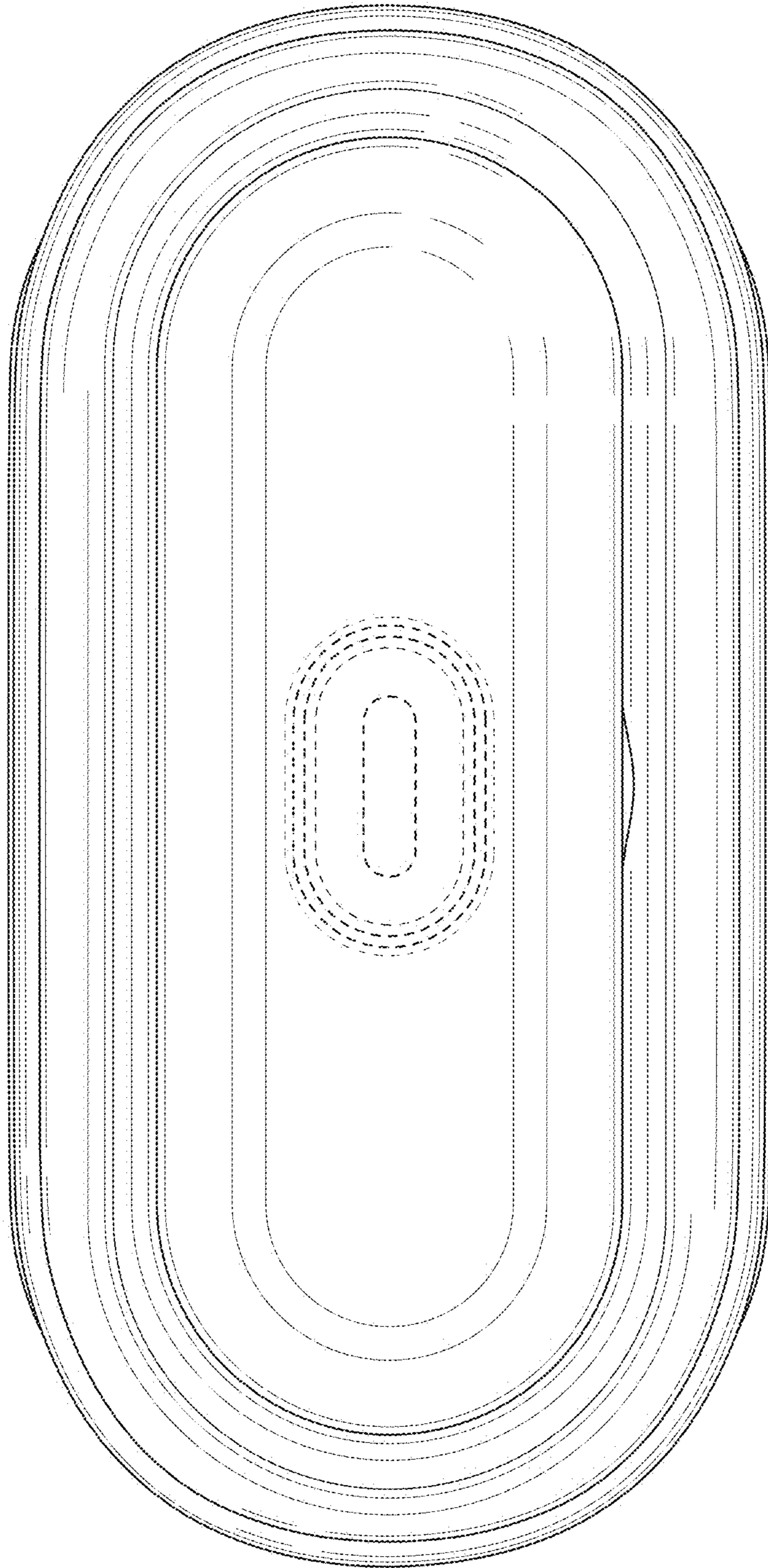


FIG. 6

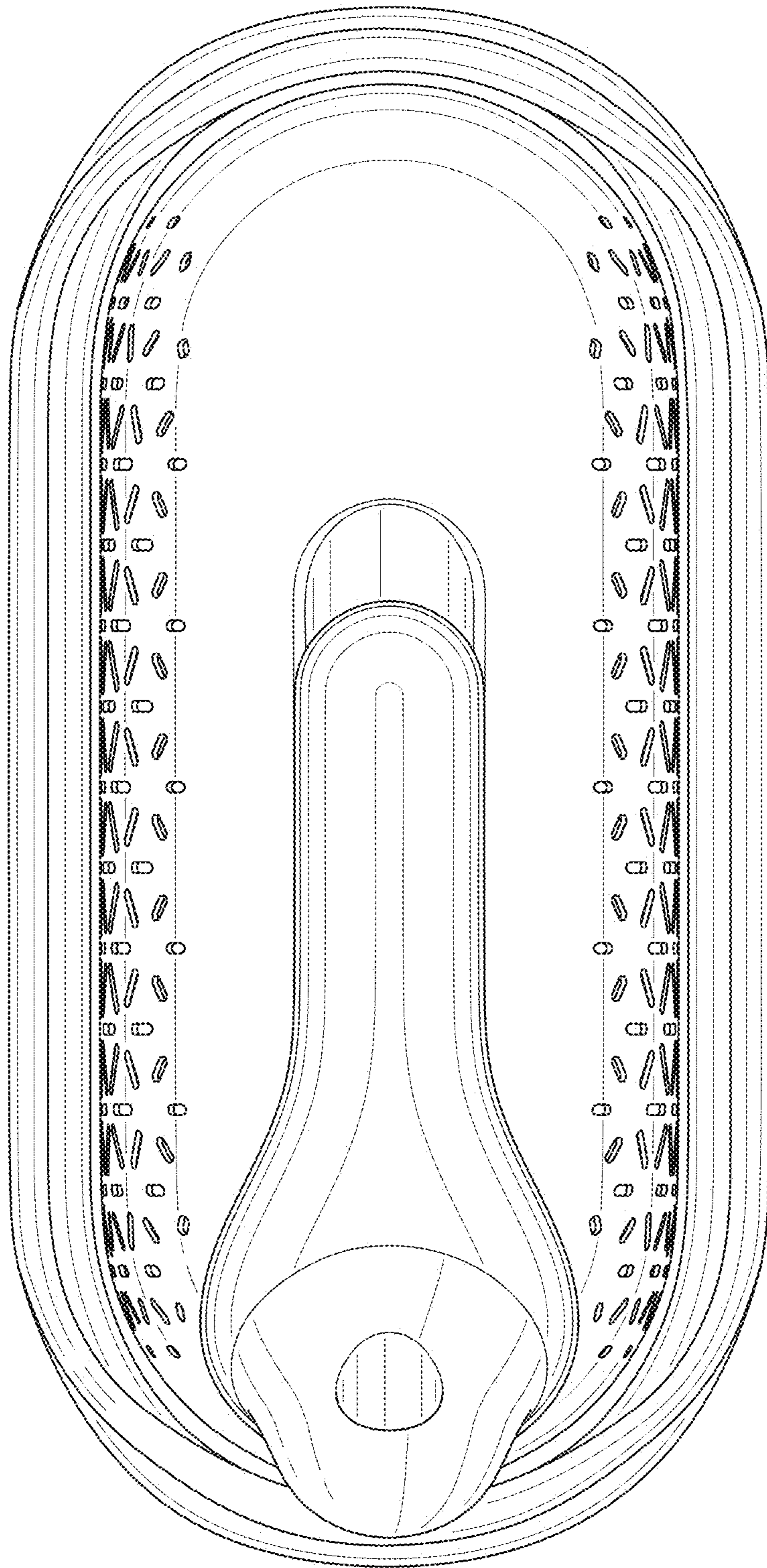


FIG. 7

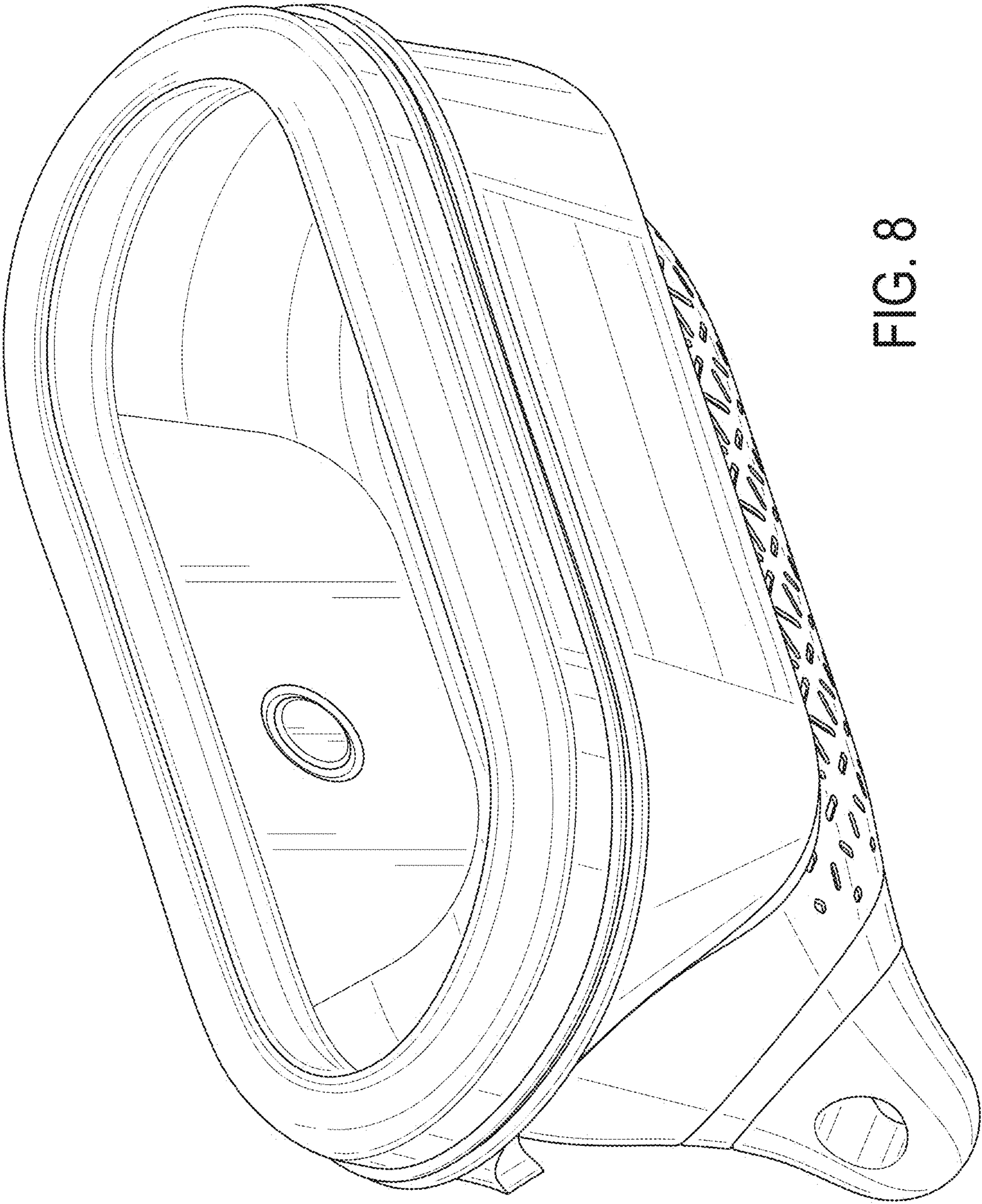


FIG. 8

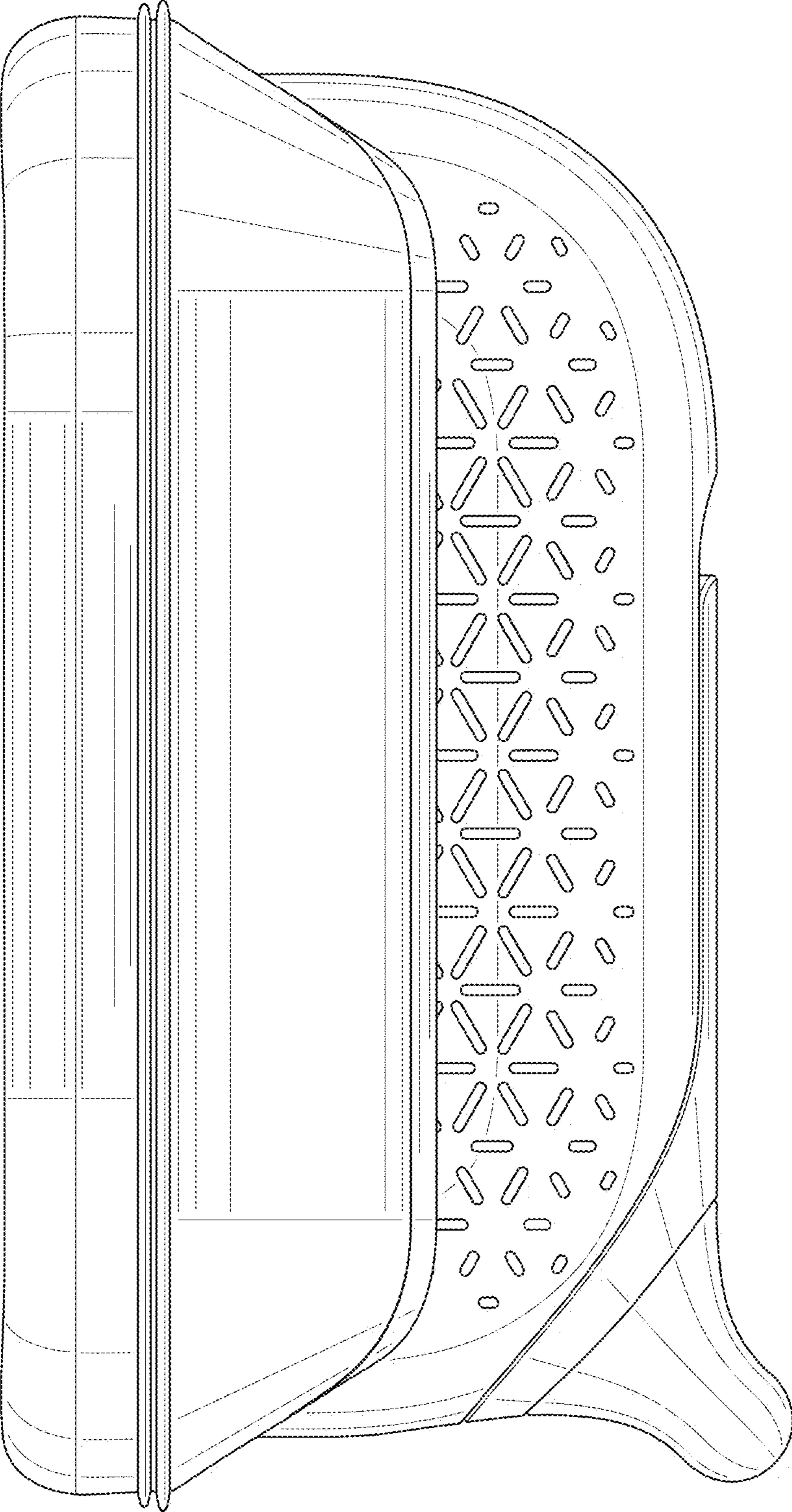


FIG. 9

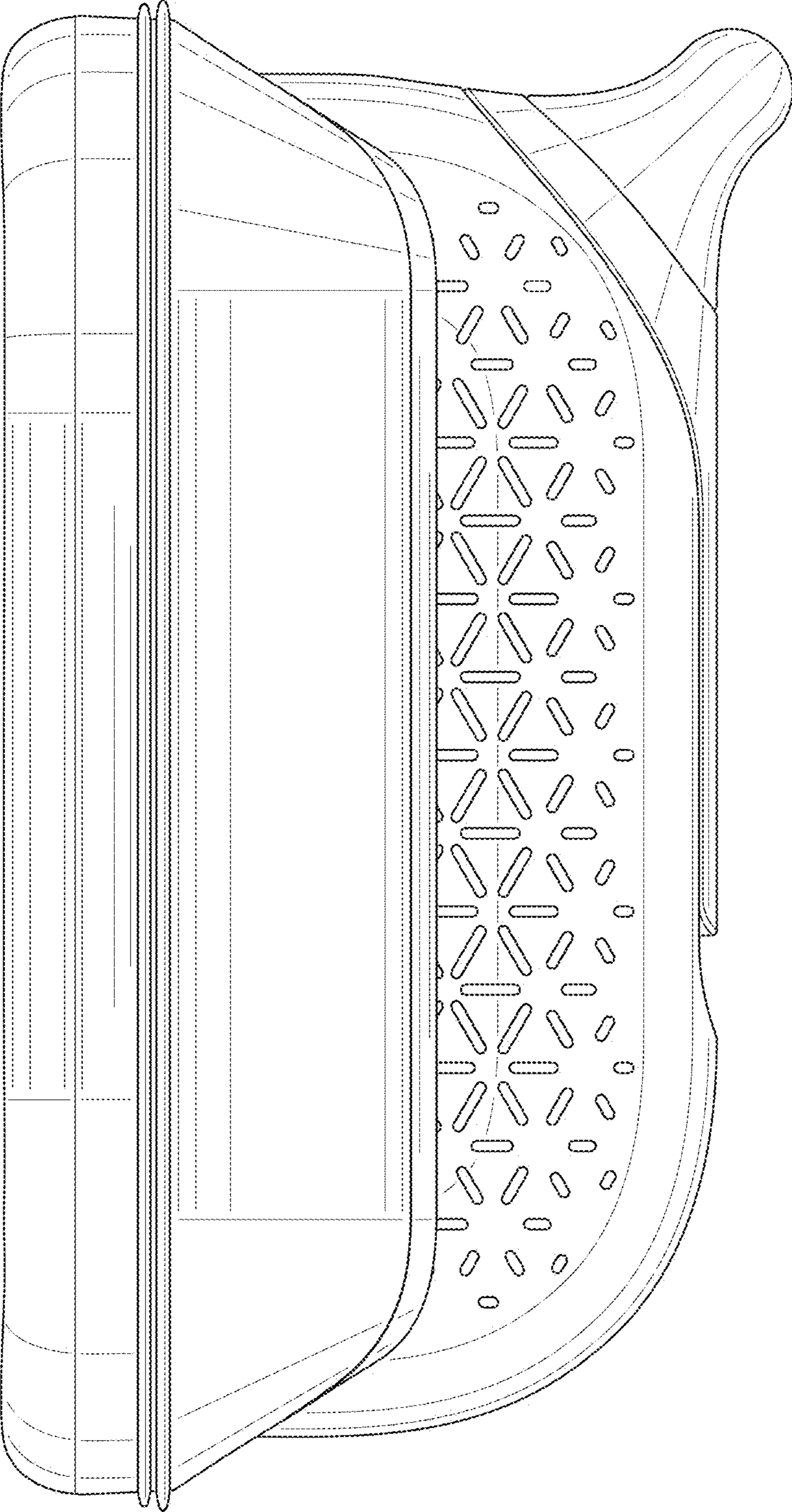


FIG. 10

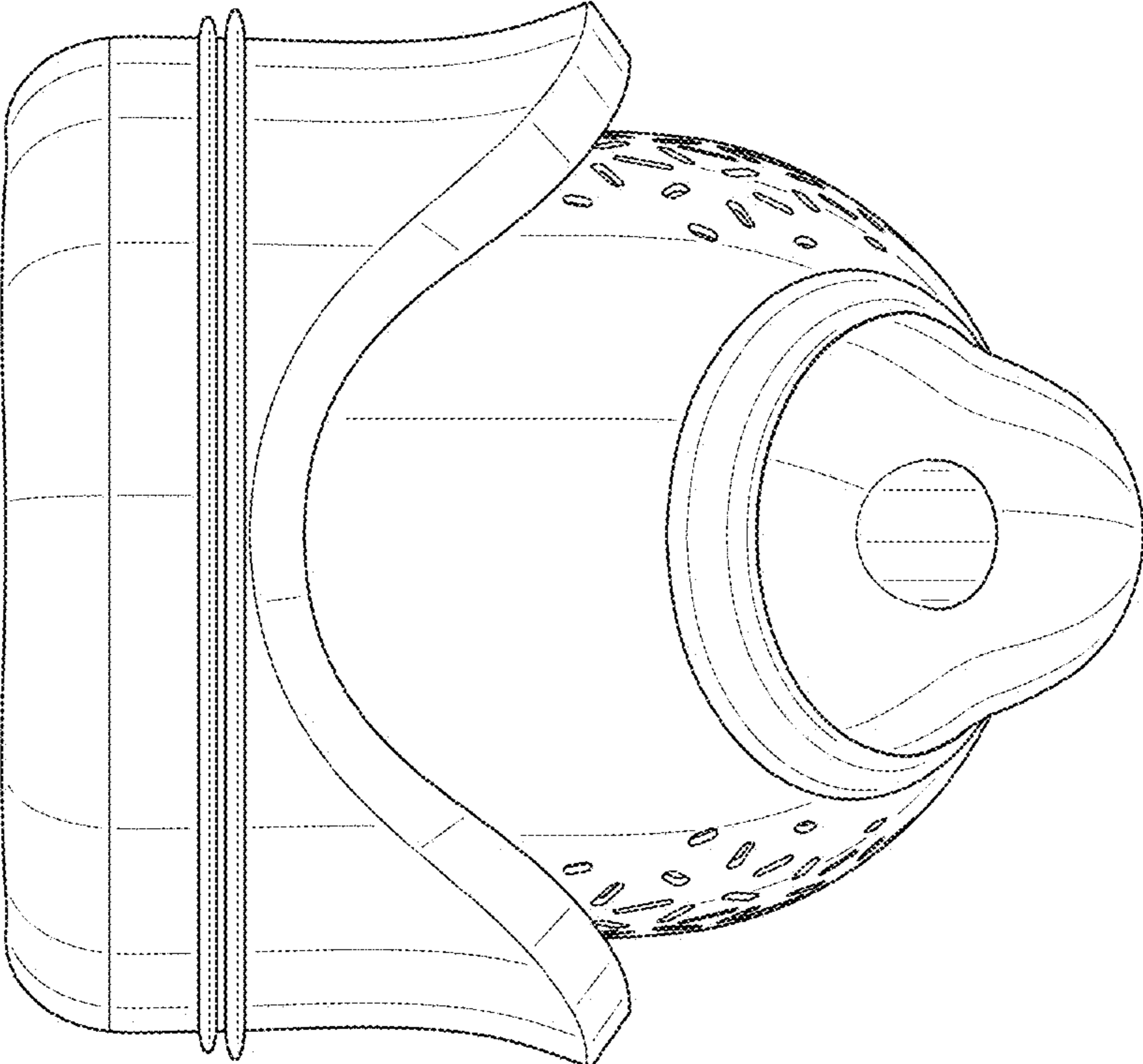


FIG. 11

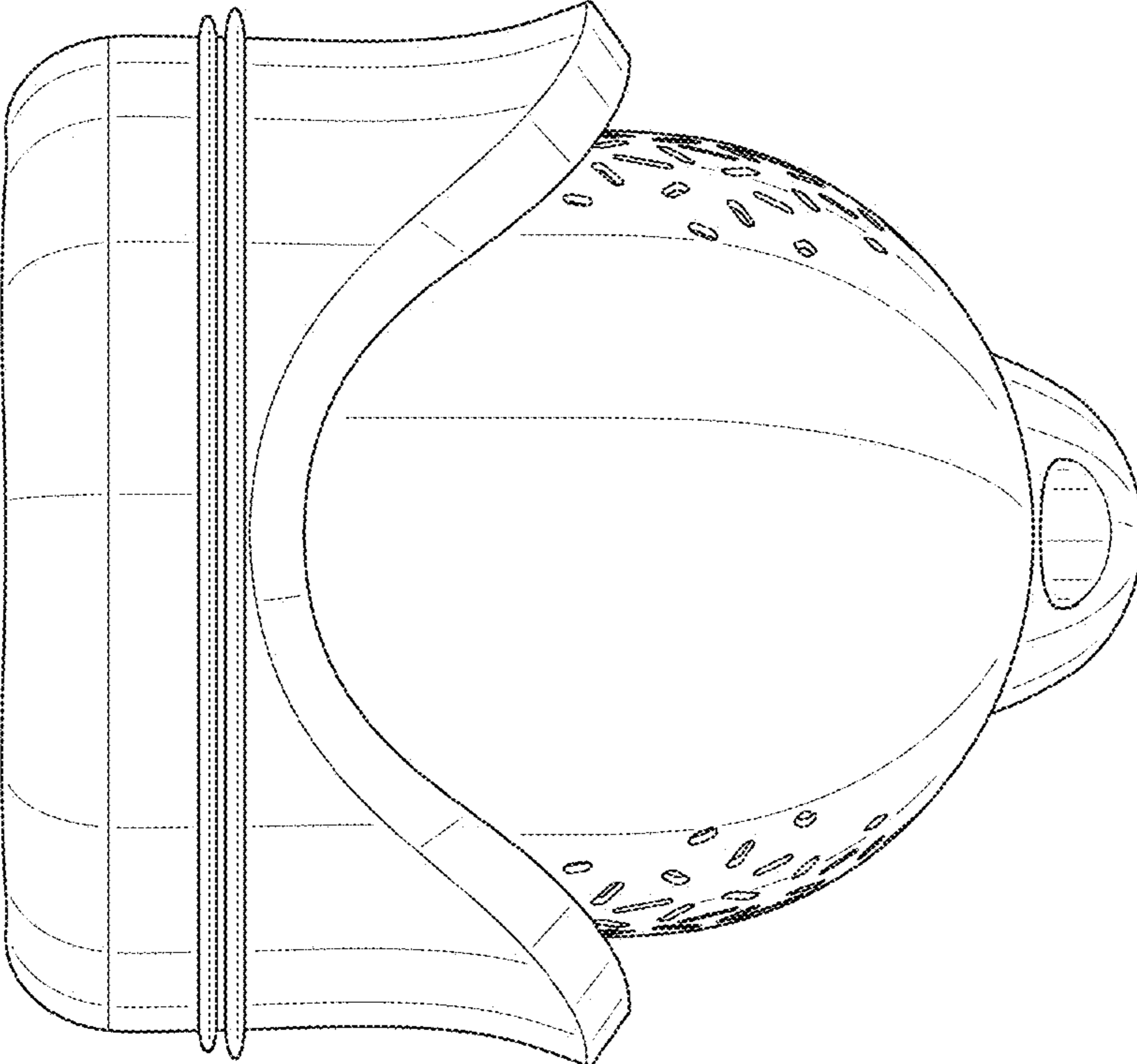


FIG. 12



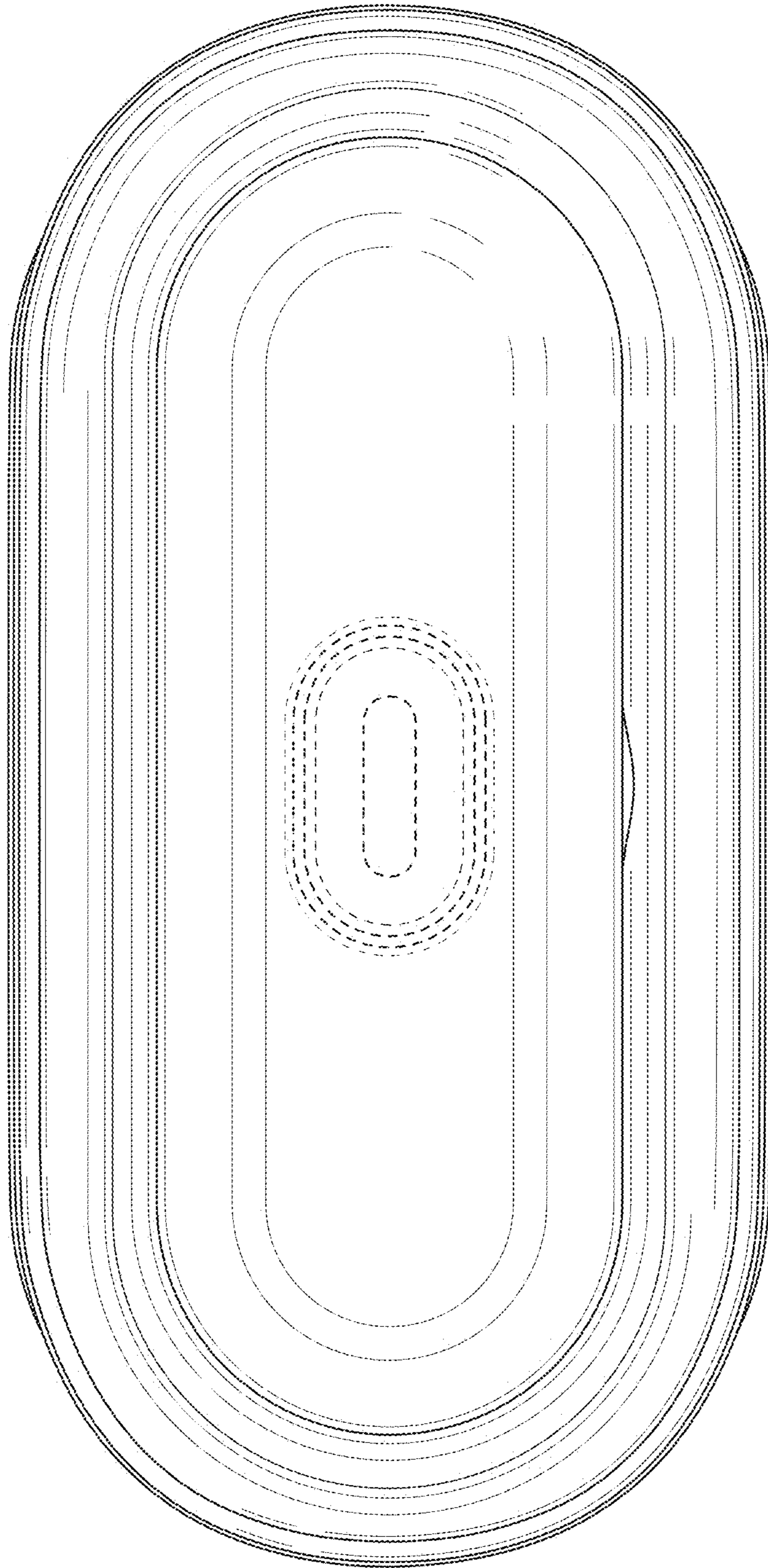


FIG. 13

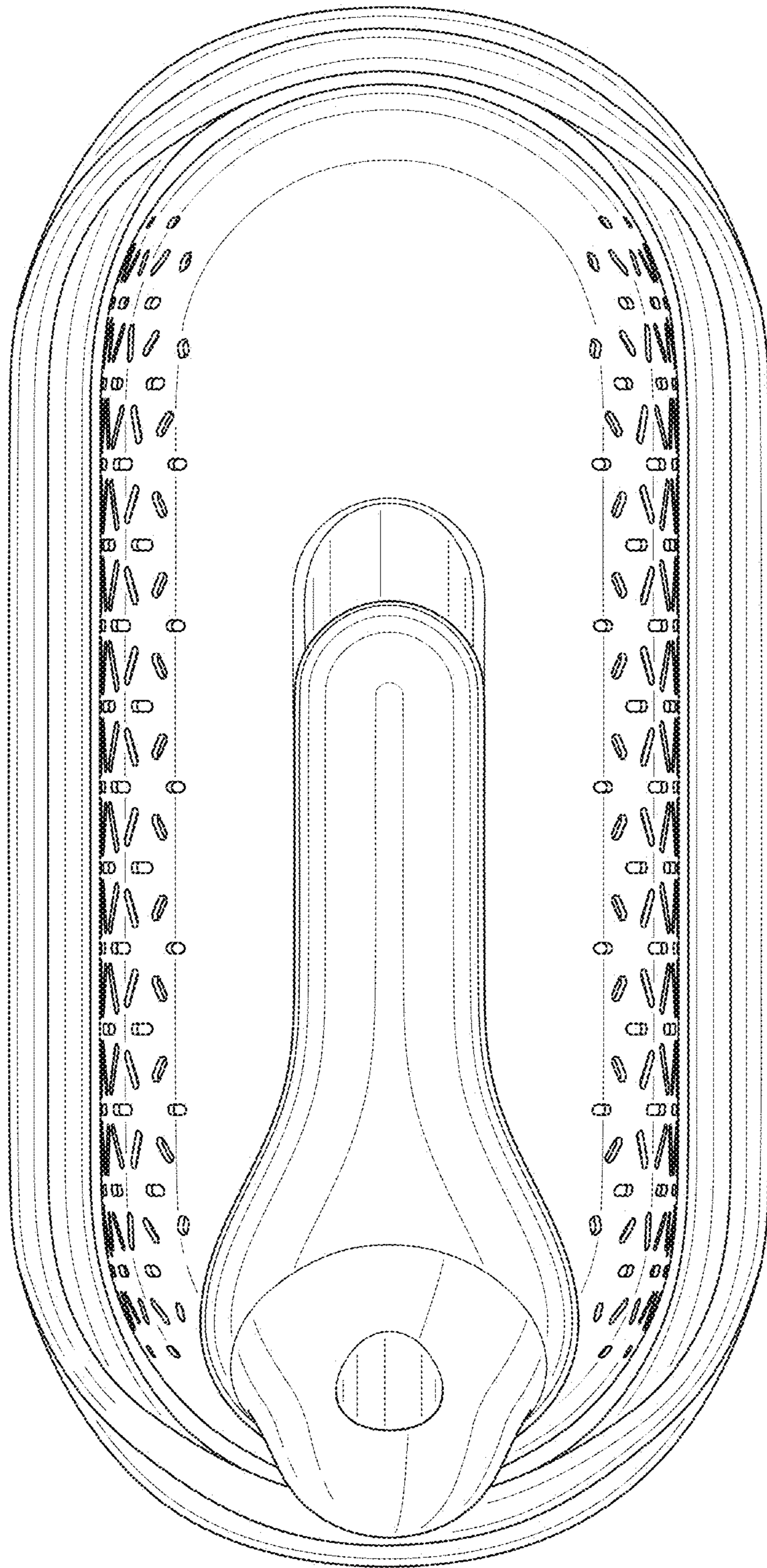


FIG. 14

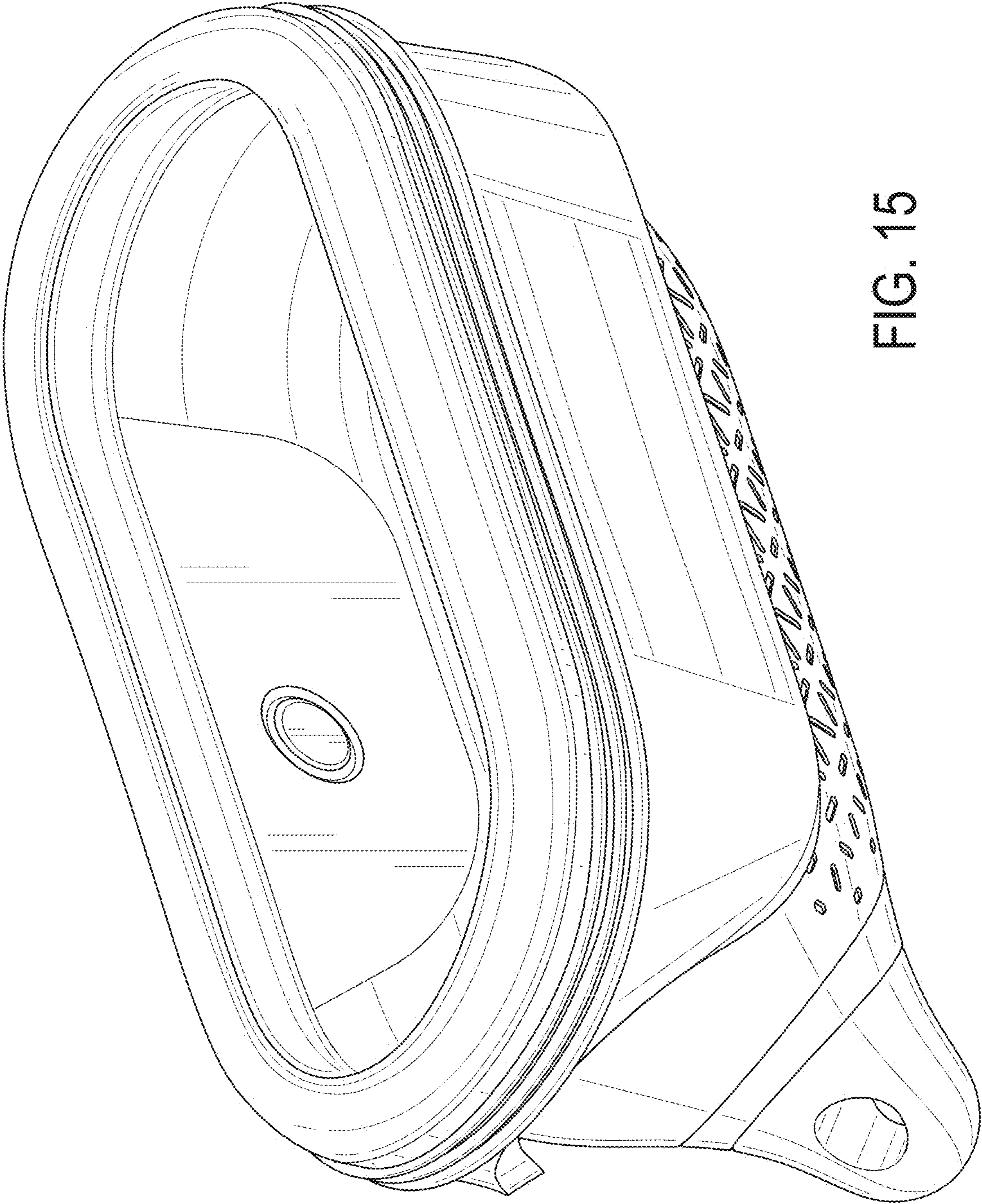


FIG. 15

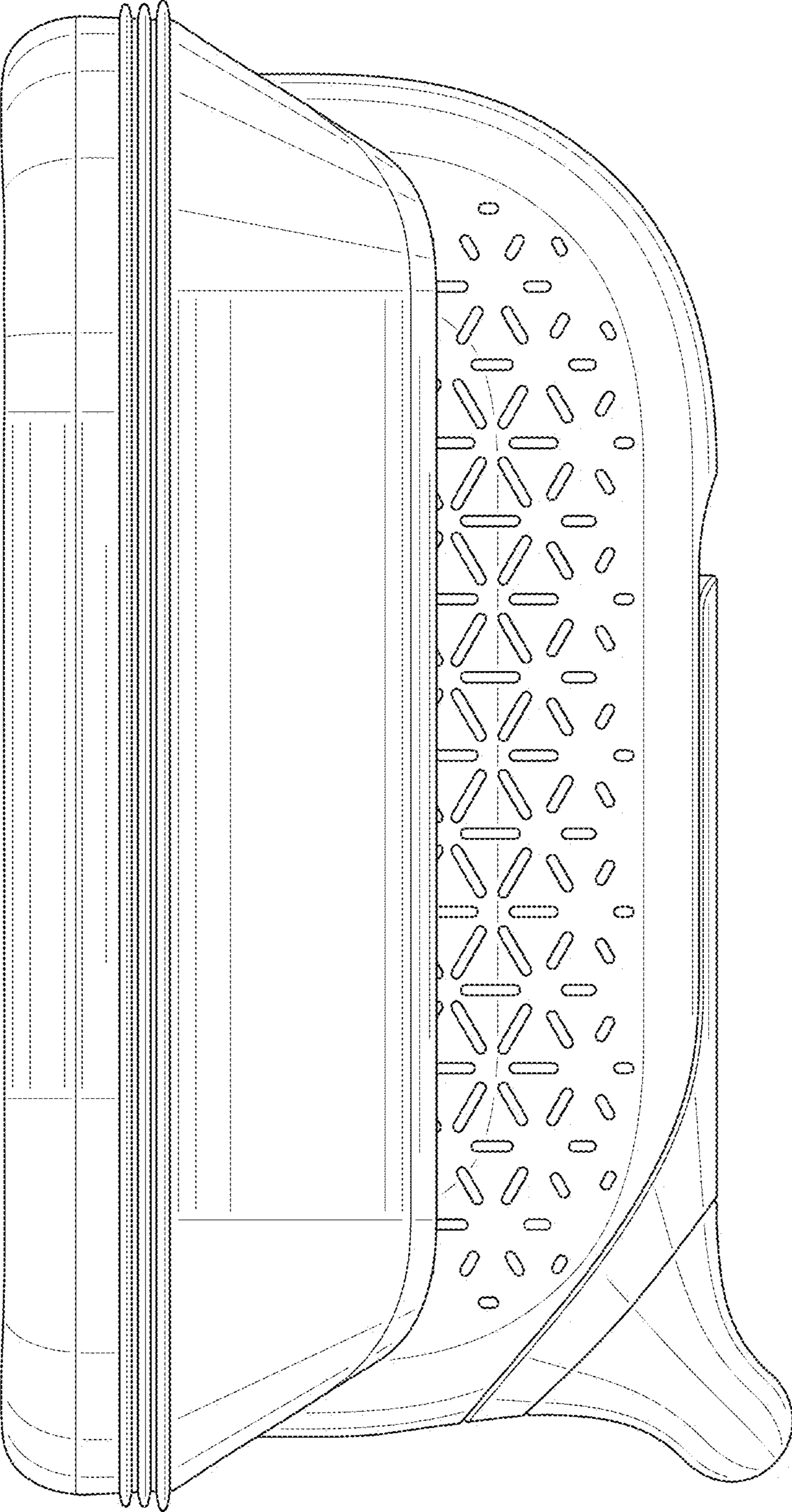


FIG. 16

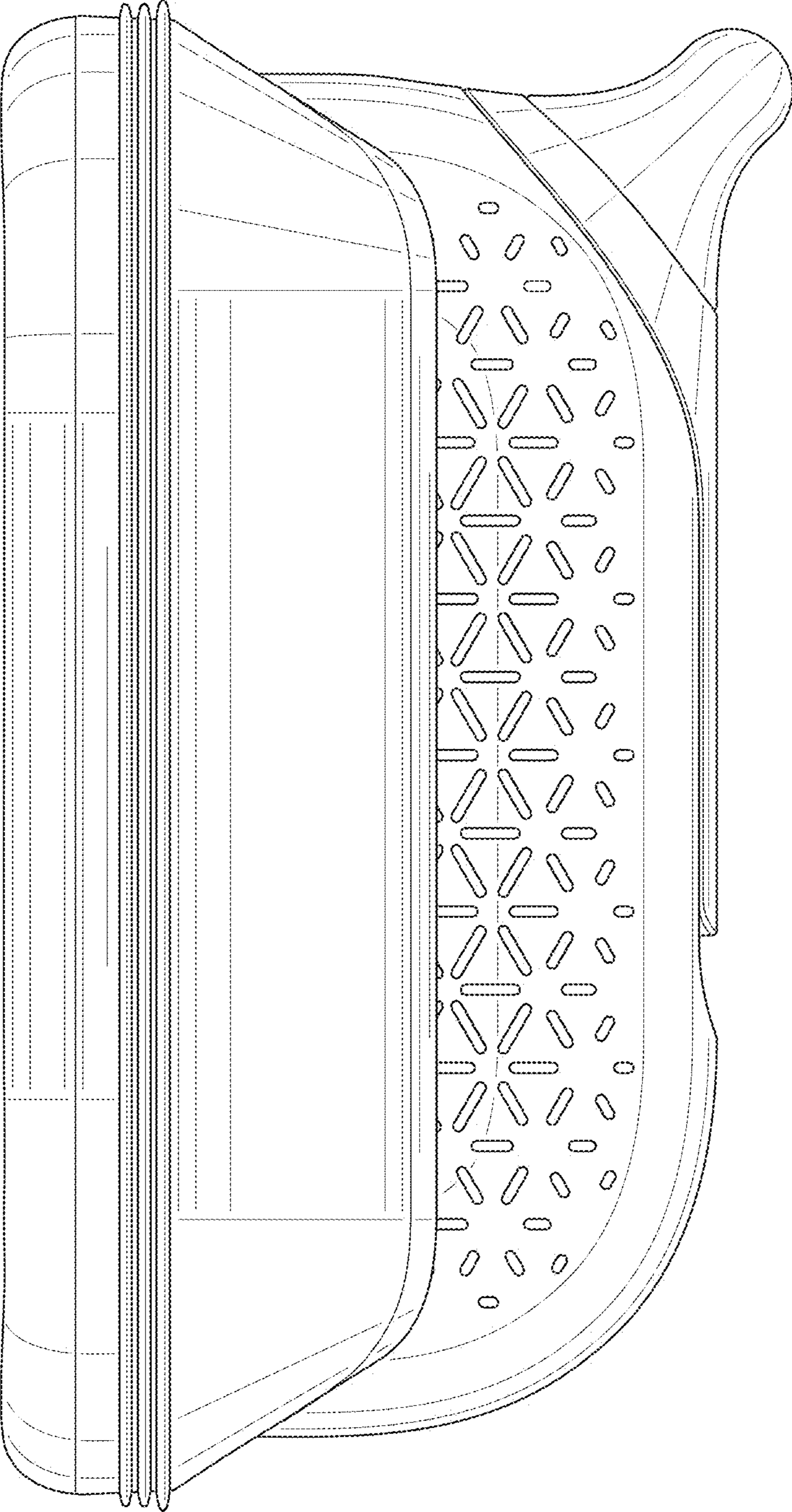


FIG. 17

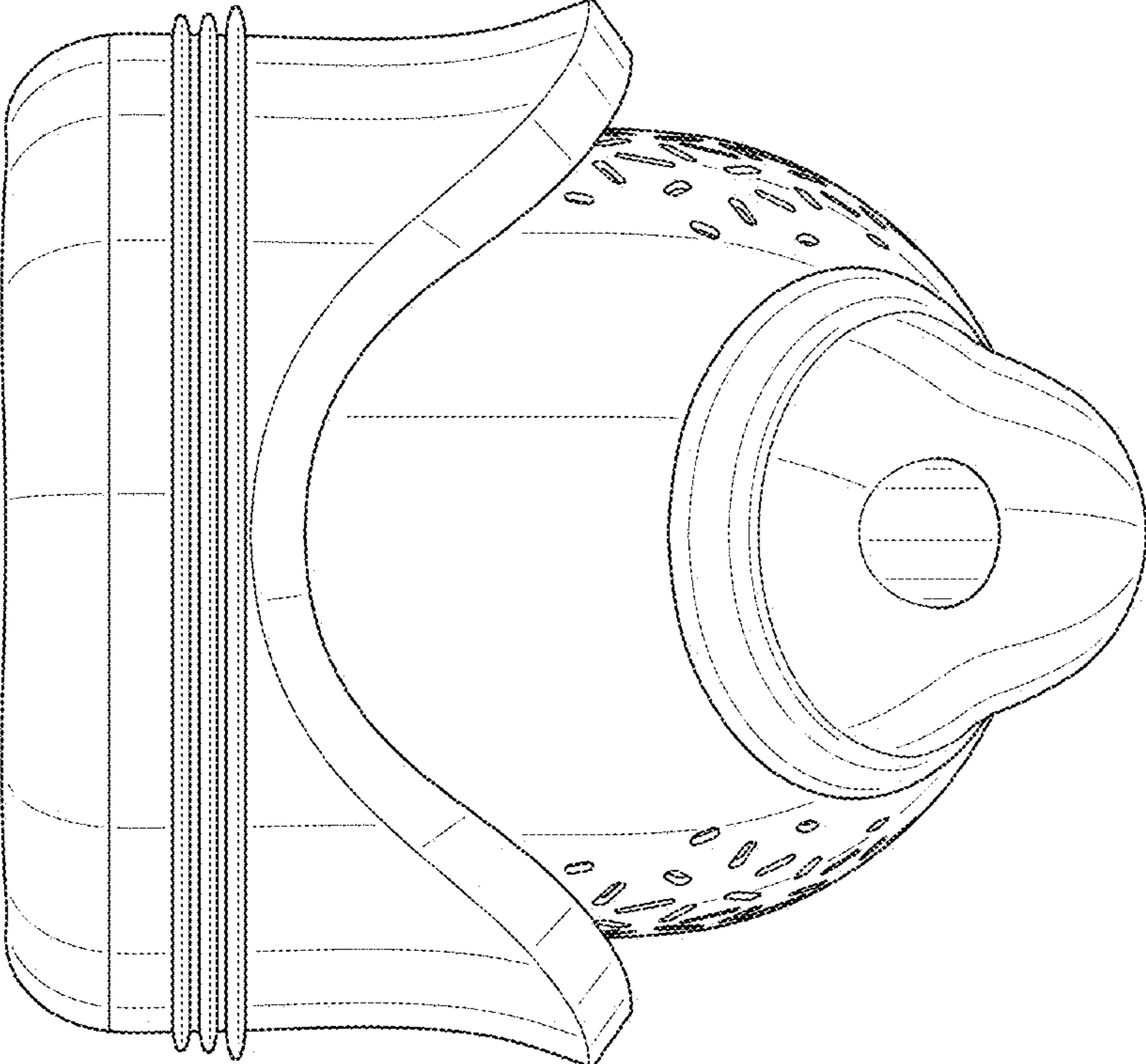


FIG. 18

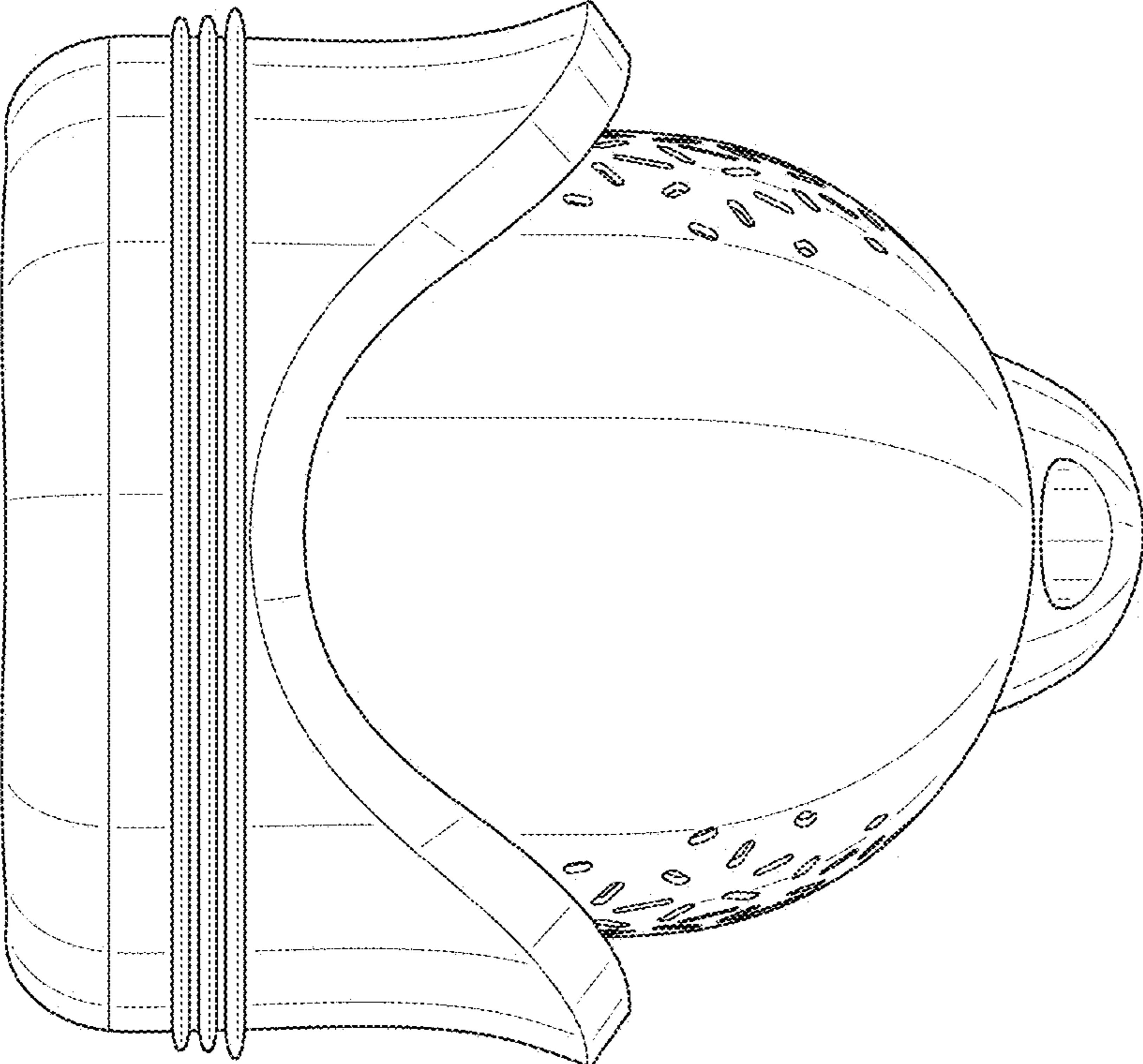


FIG. 19

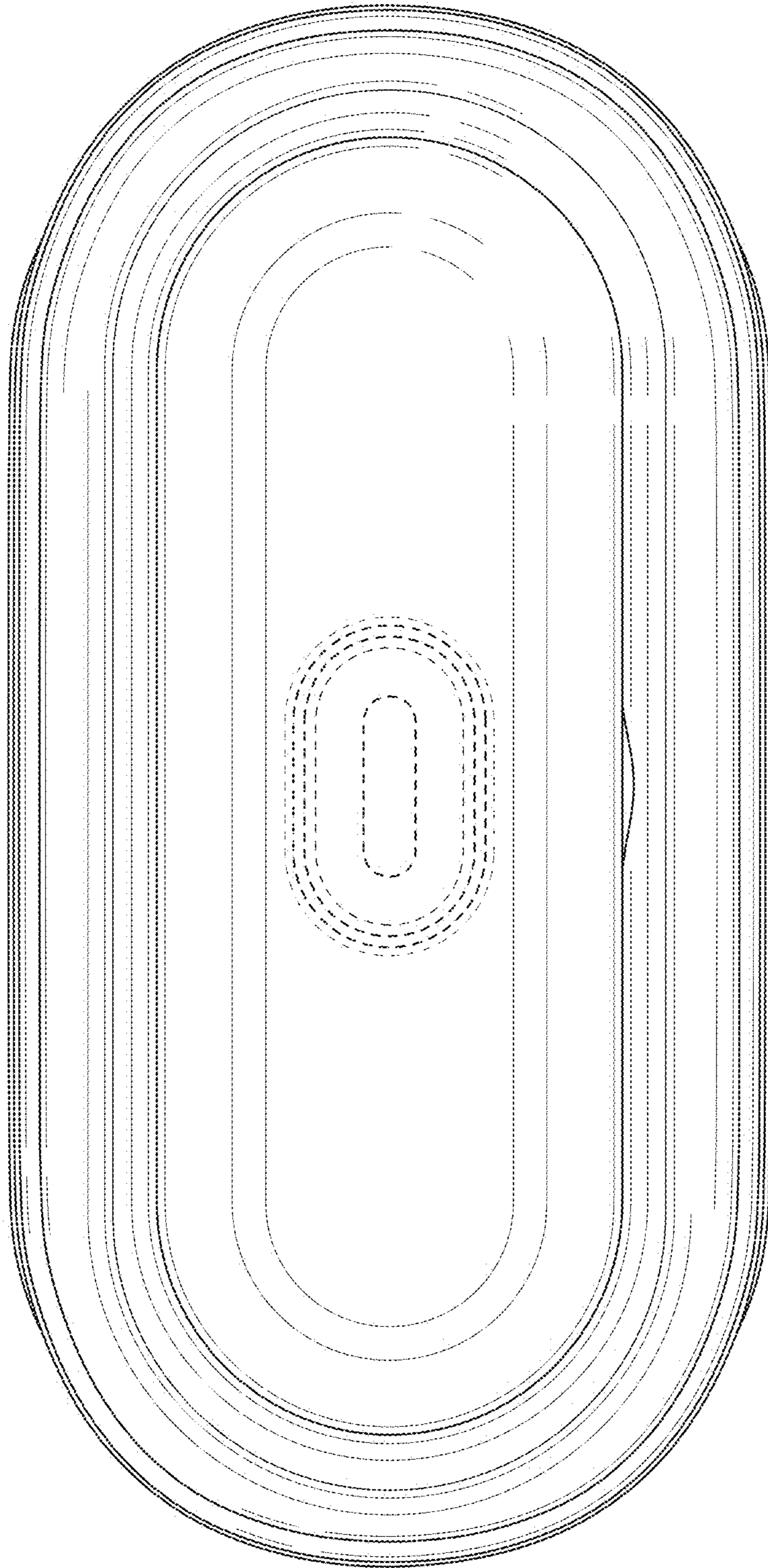


FIG. 20



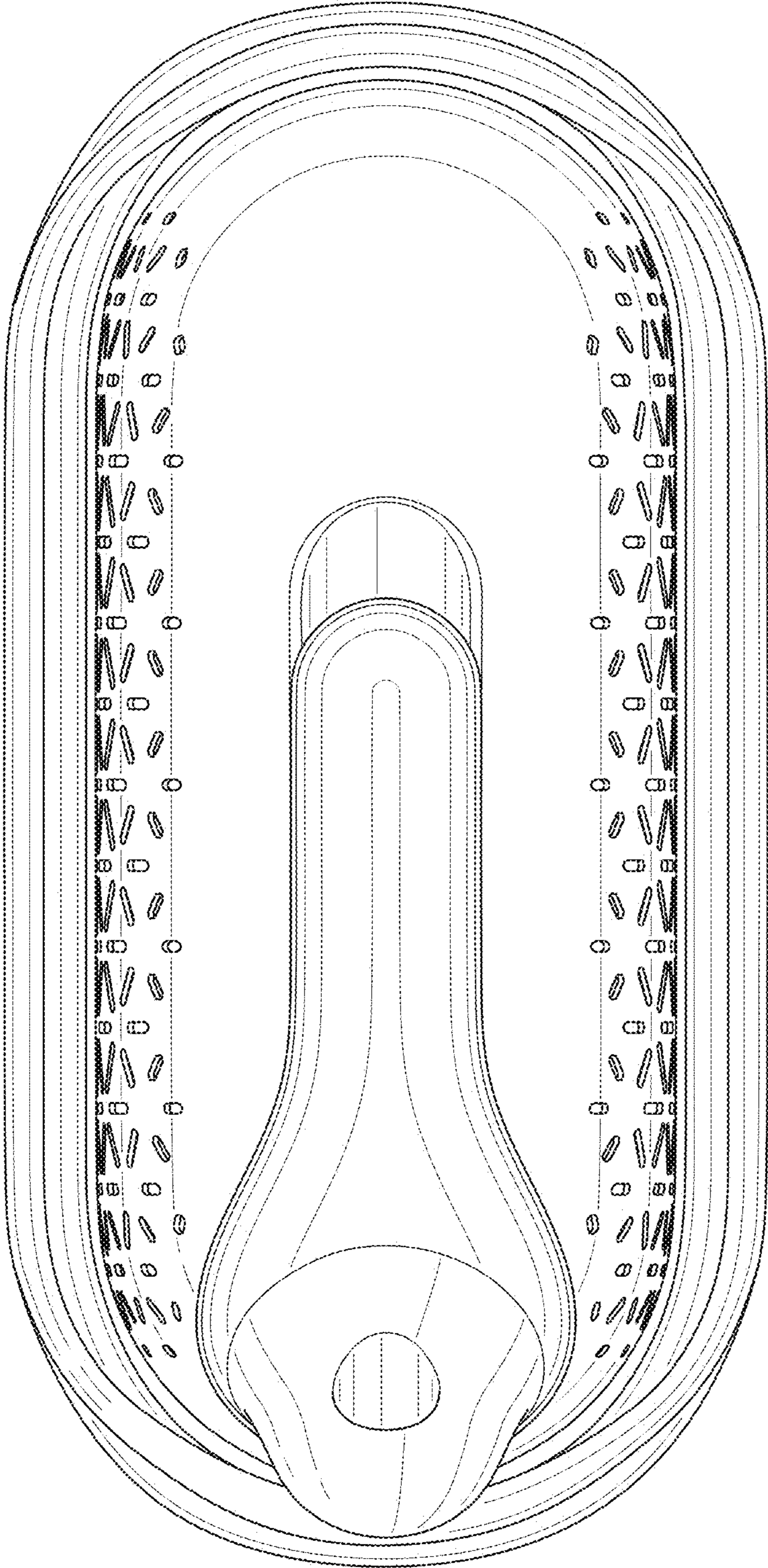


FIG. 21

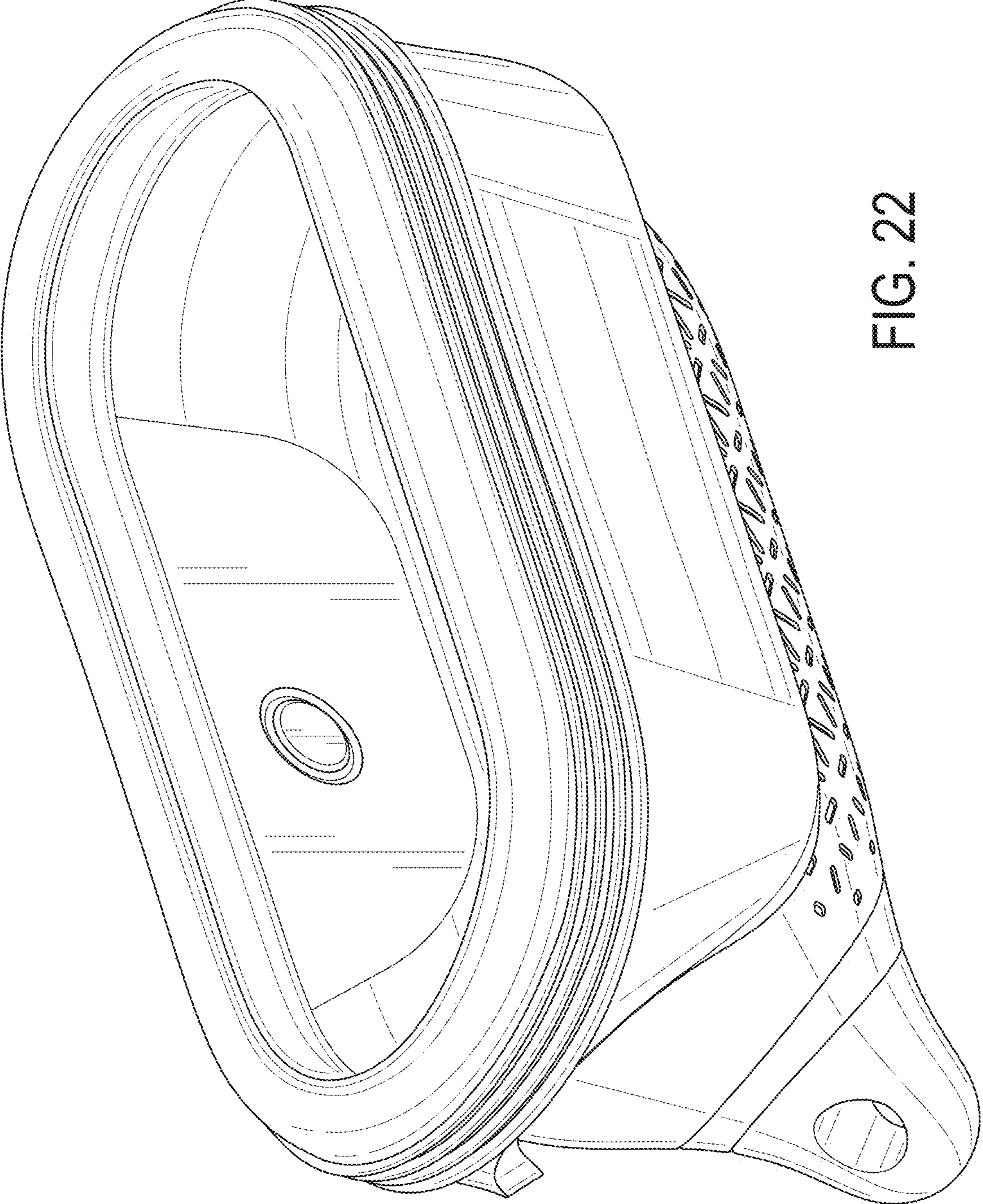


FIG. 22

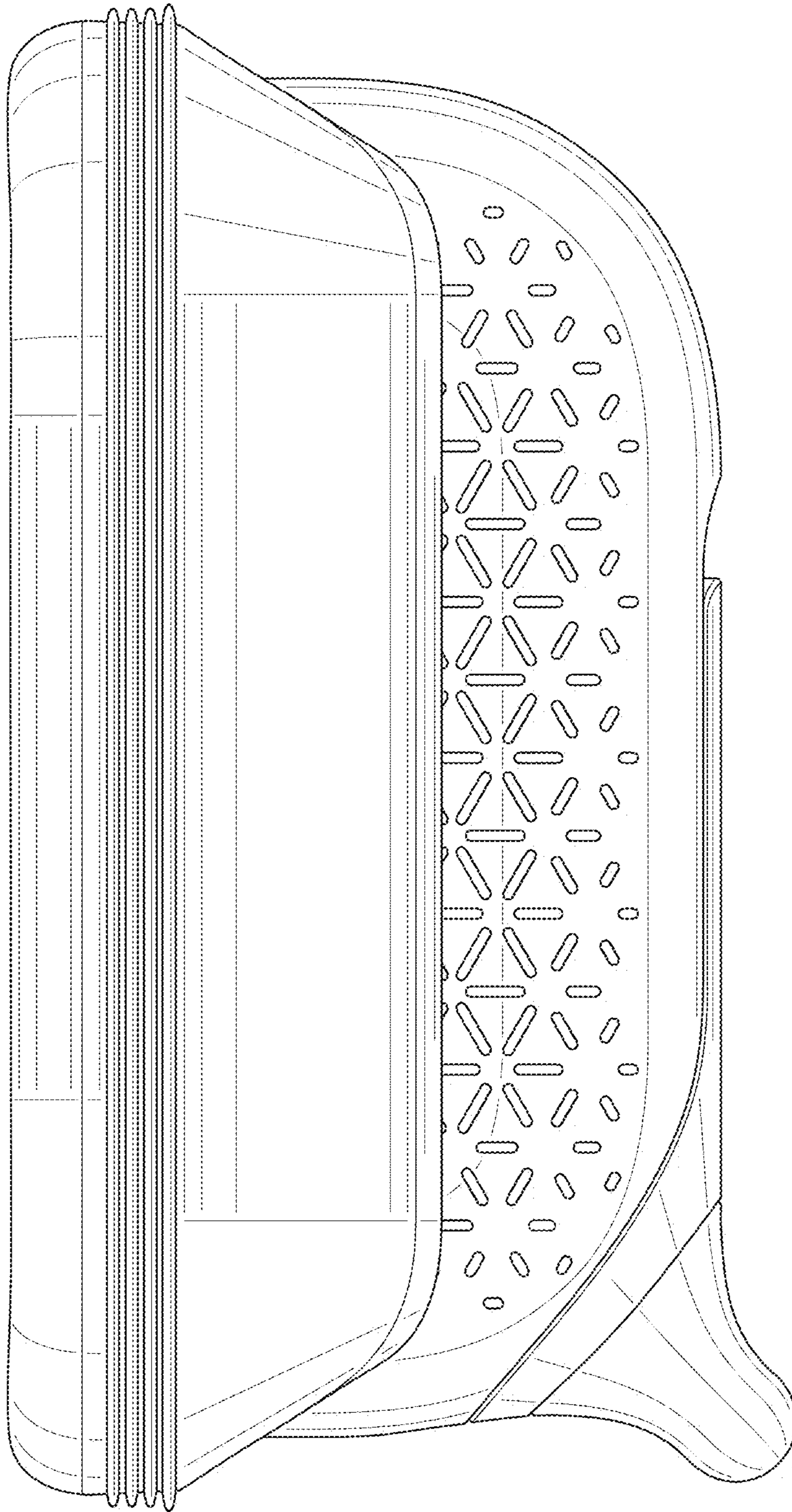


FIG. 23

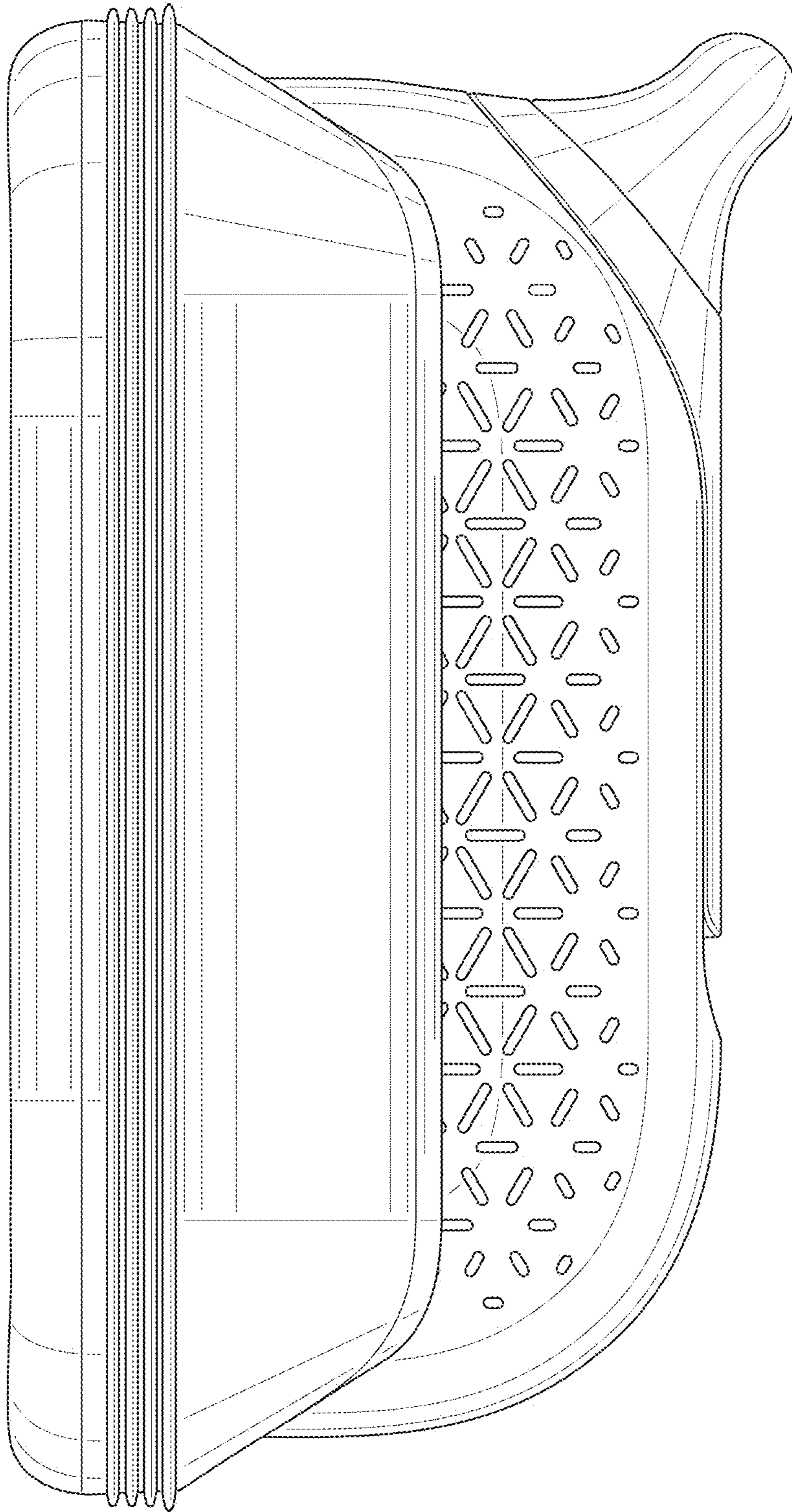


FIG. 24

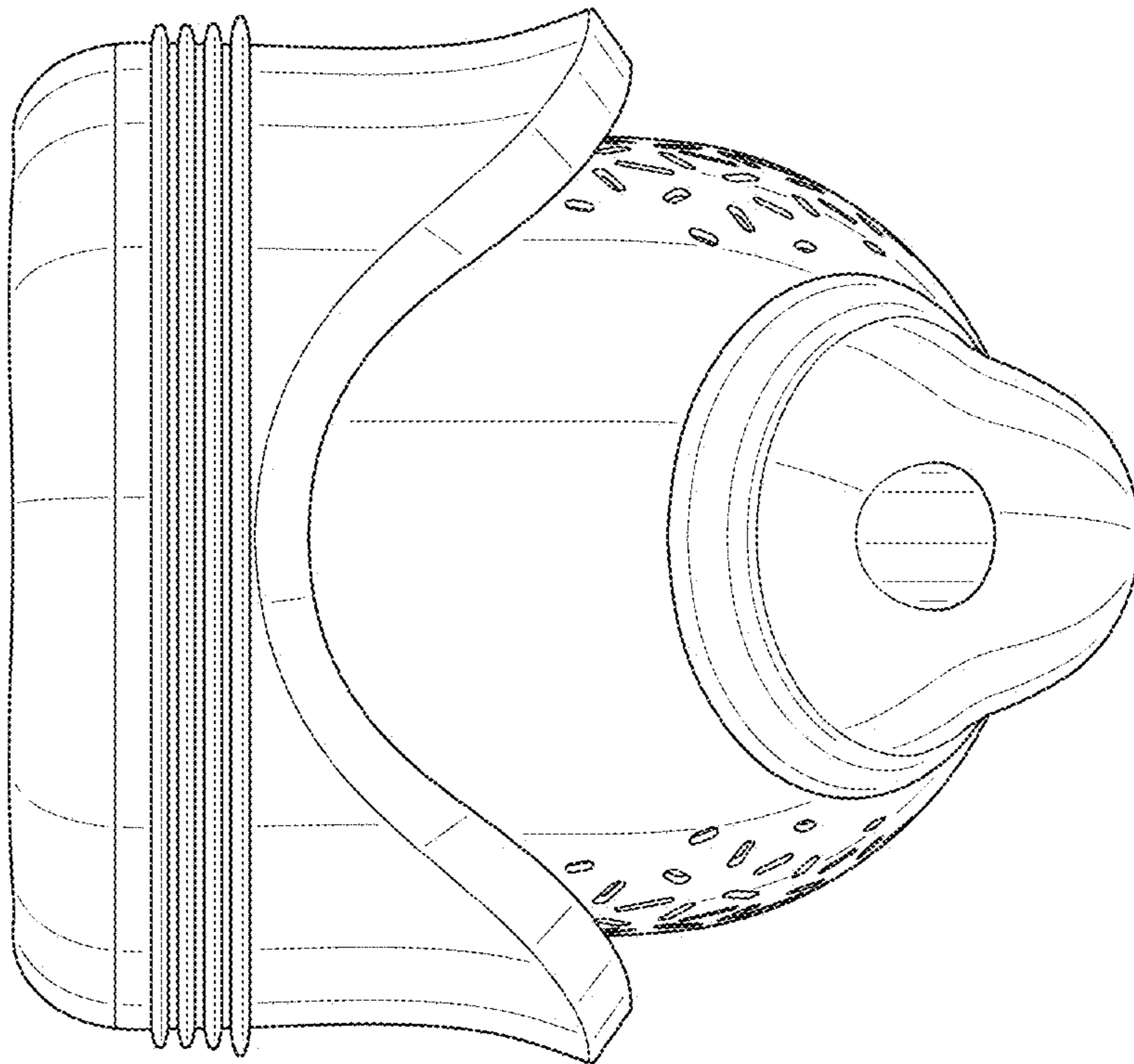


FIG. 25

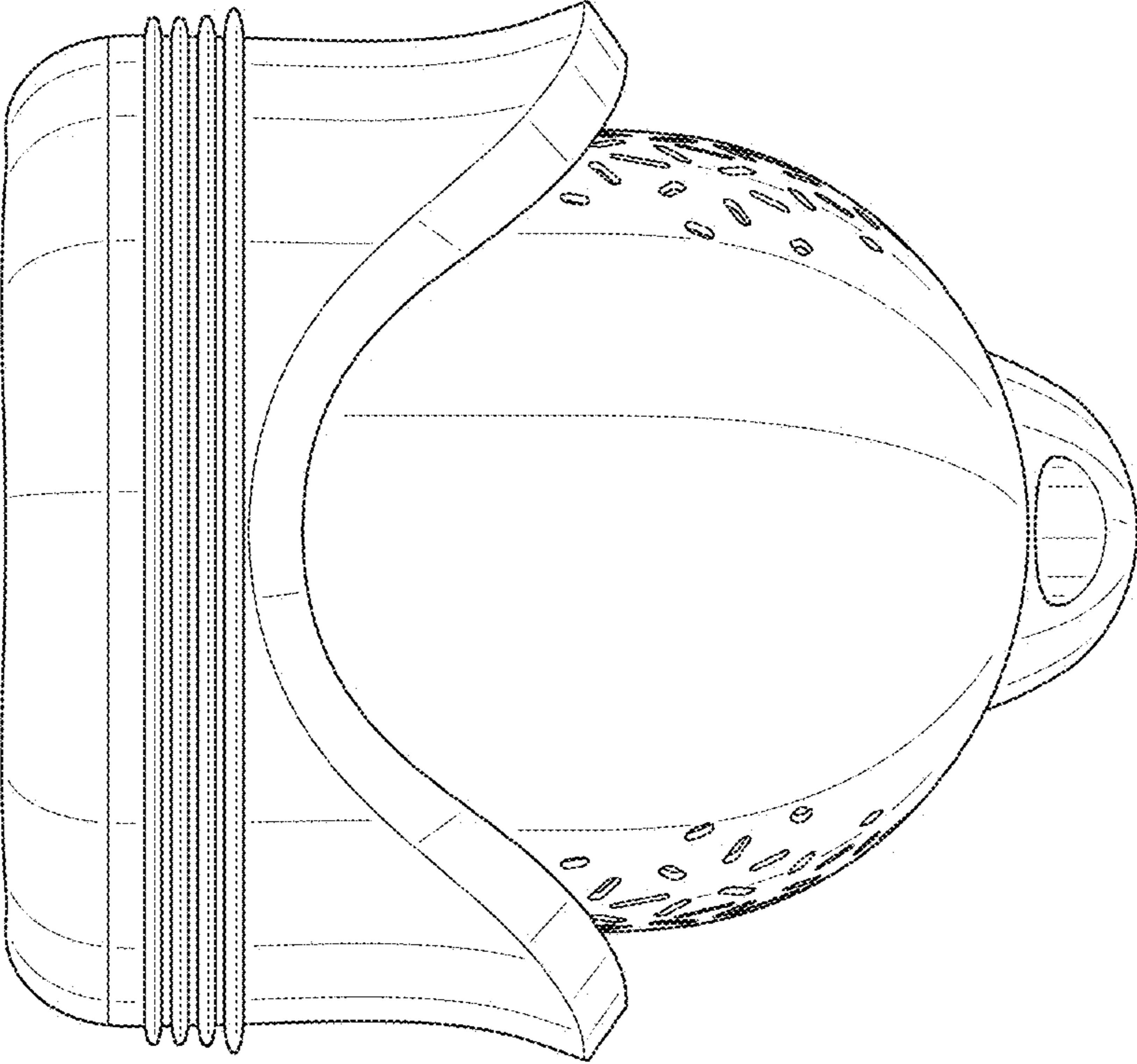


FIG. 26

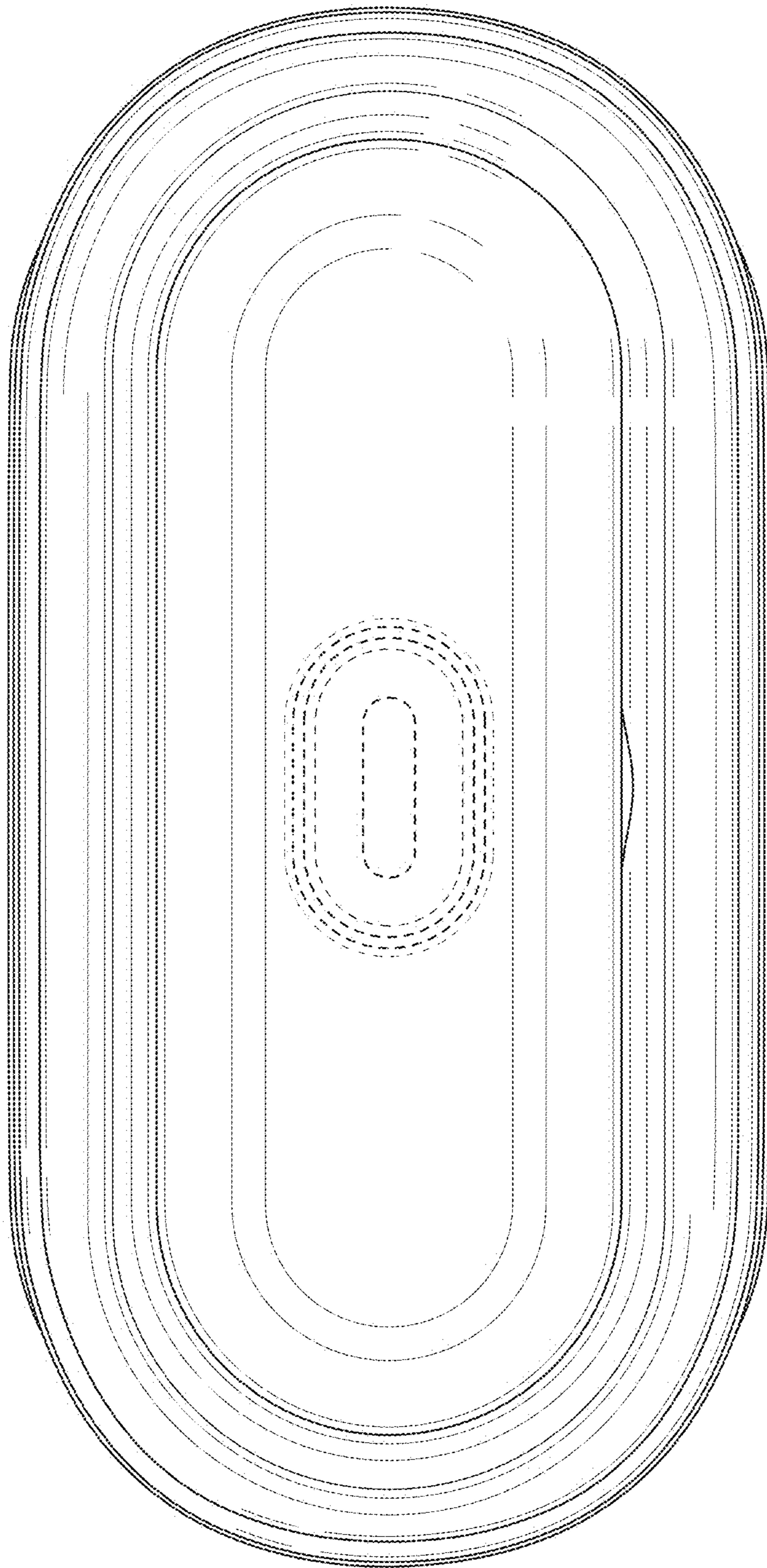


FIG. 27

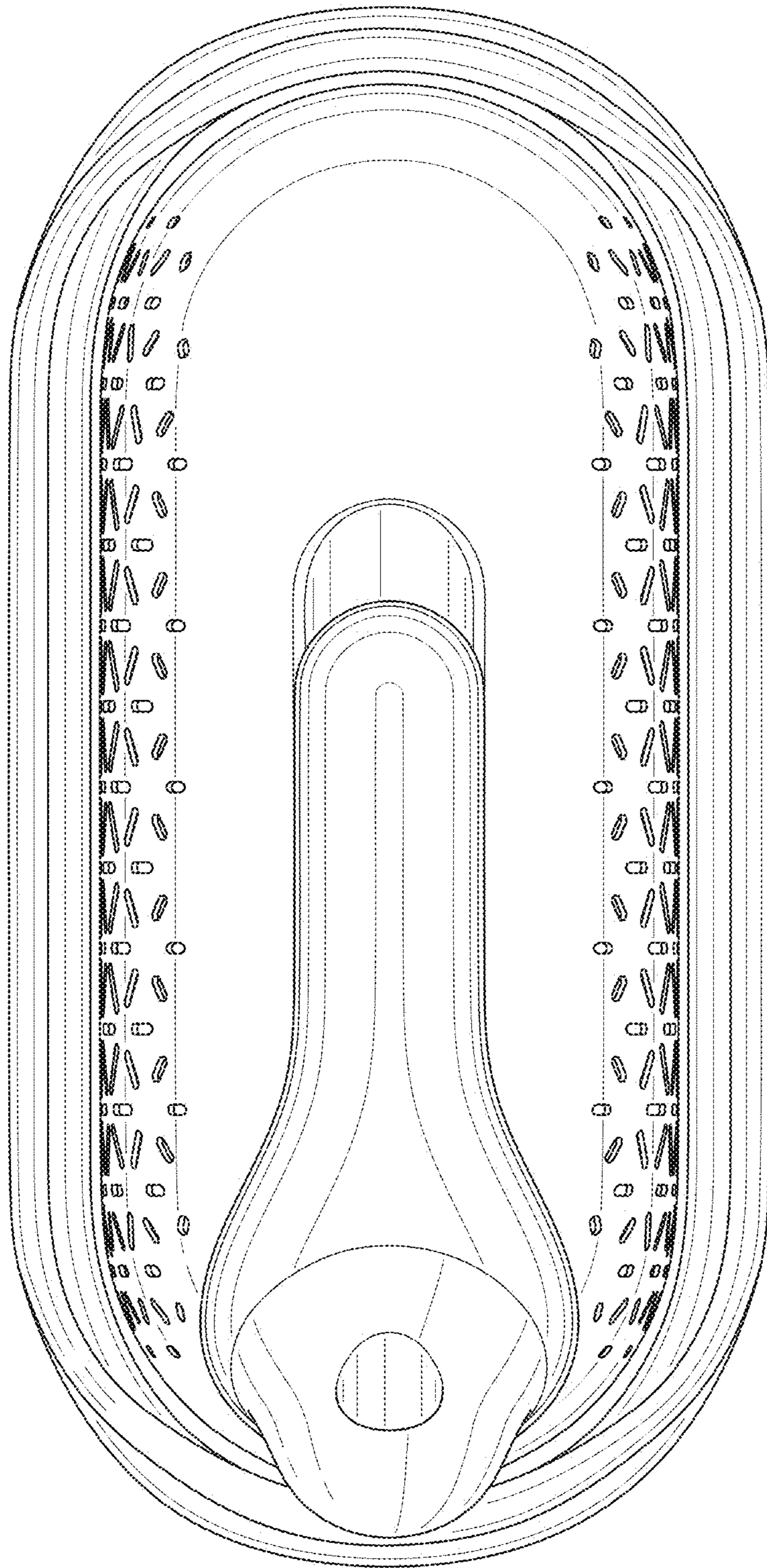


FIG. 28



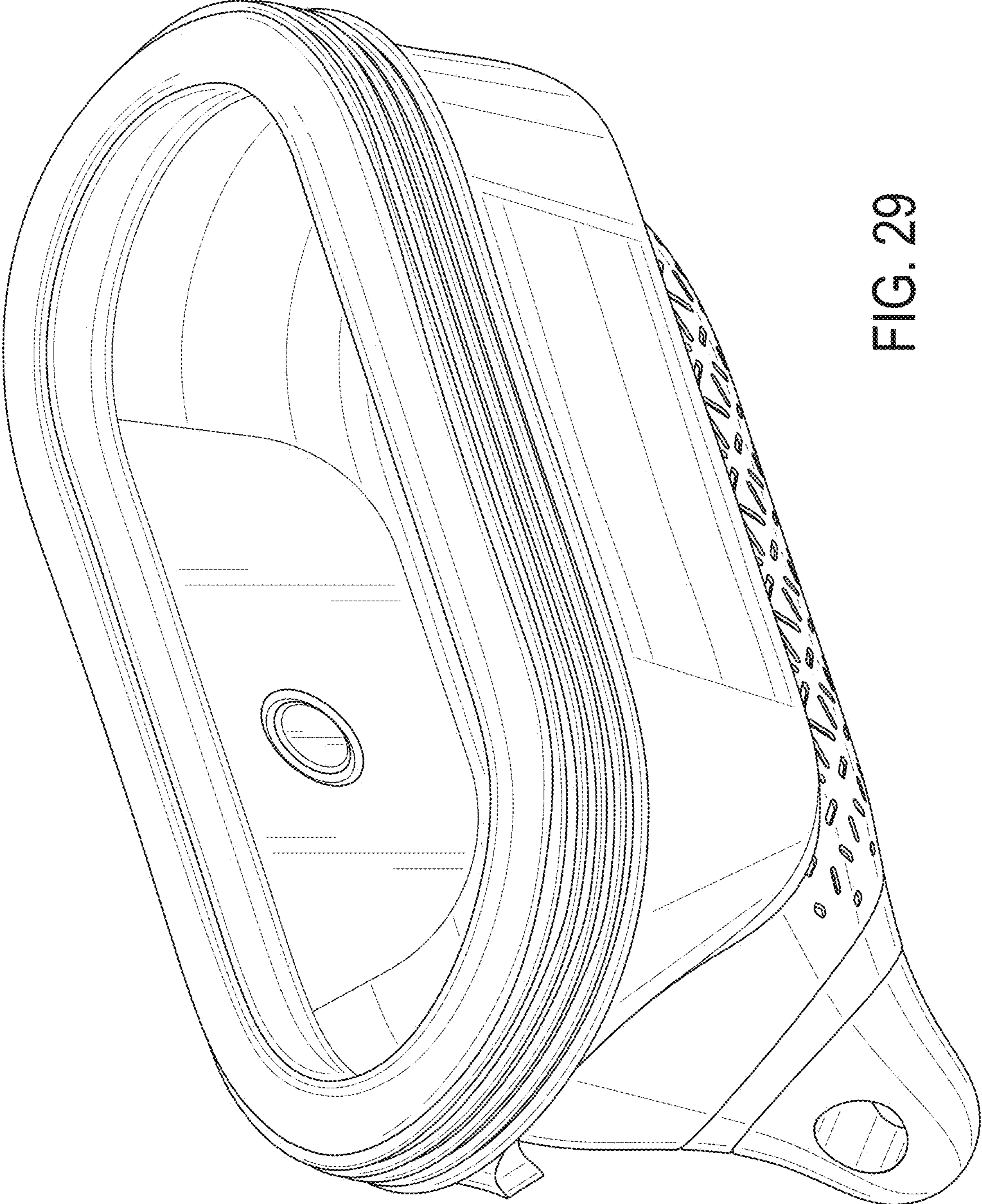


FIG. 29

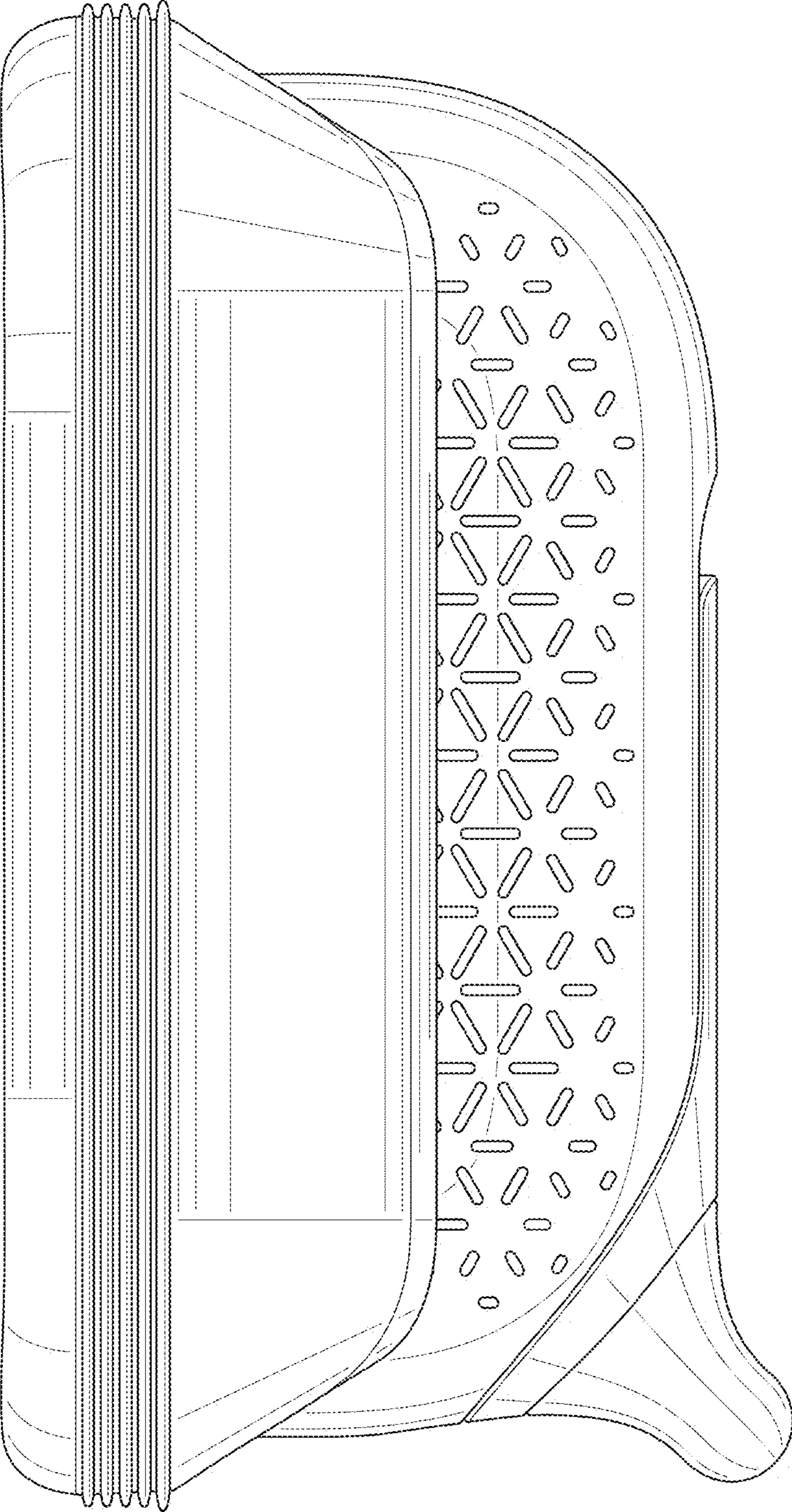


FIG. 30

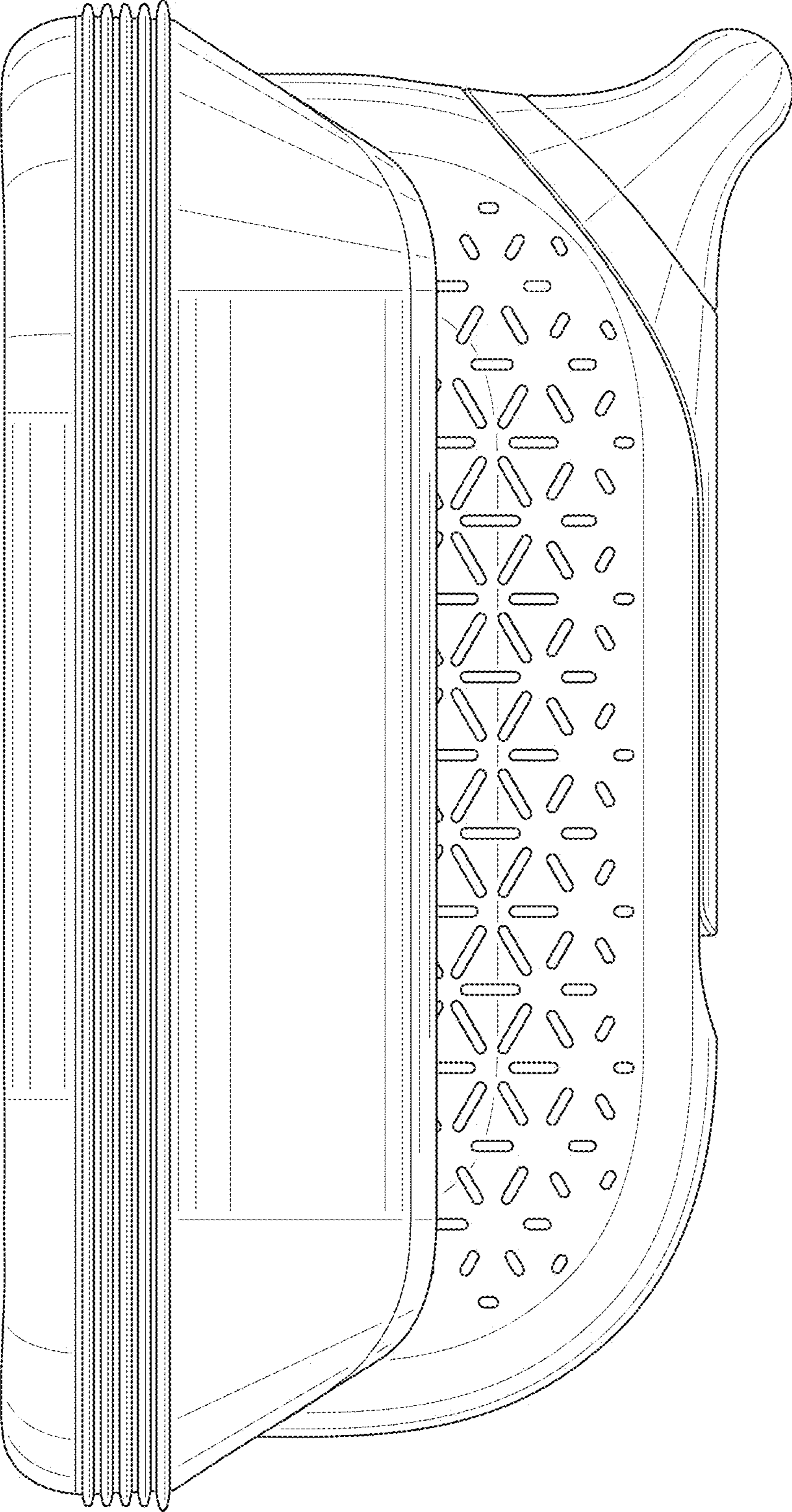


FIG. 31

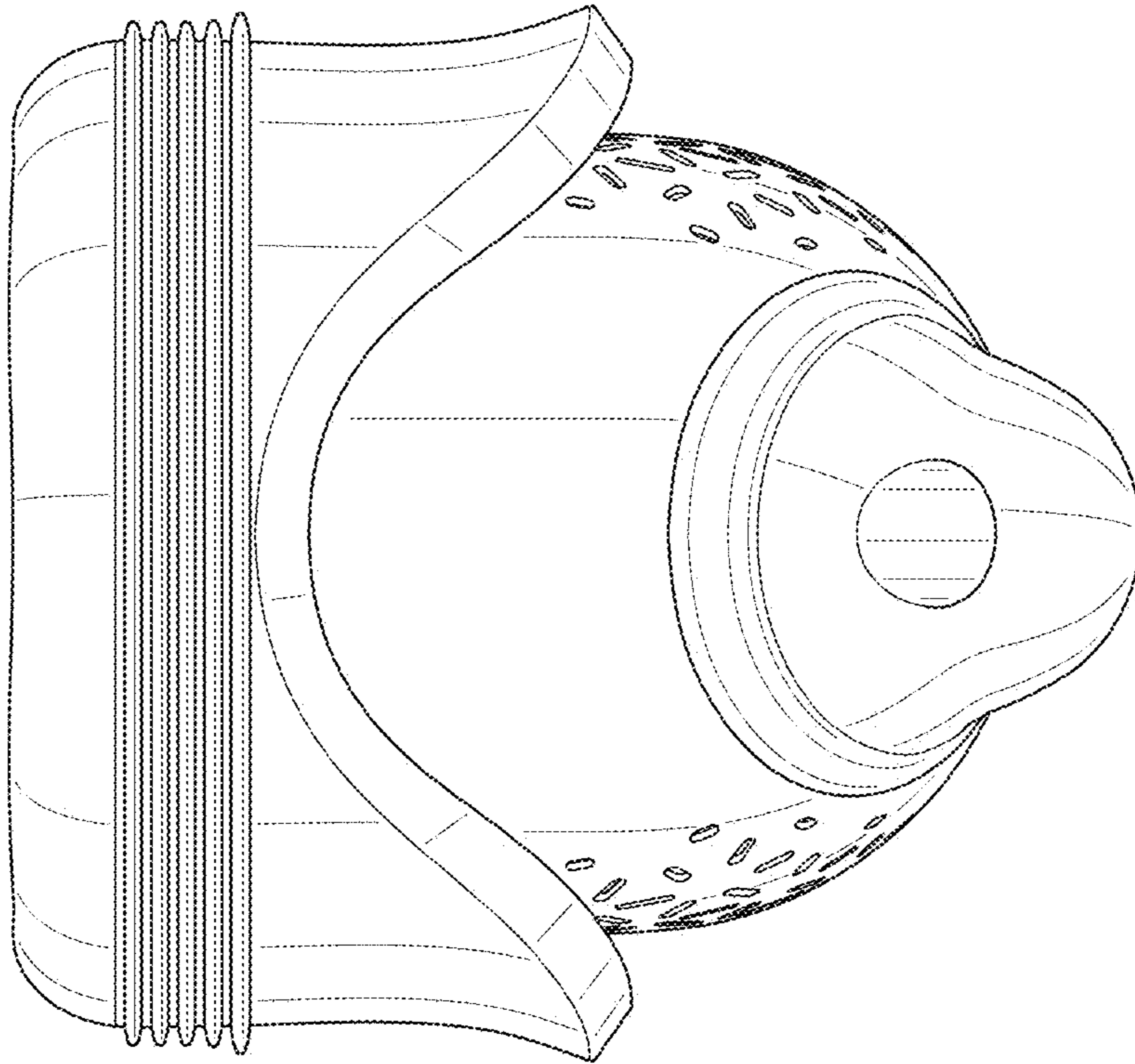


FIG. 32

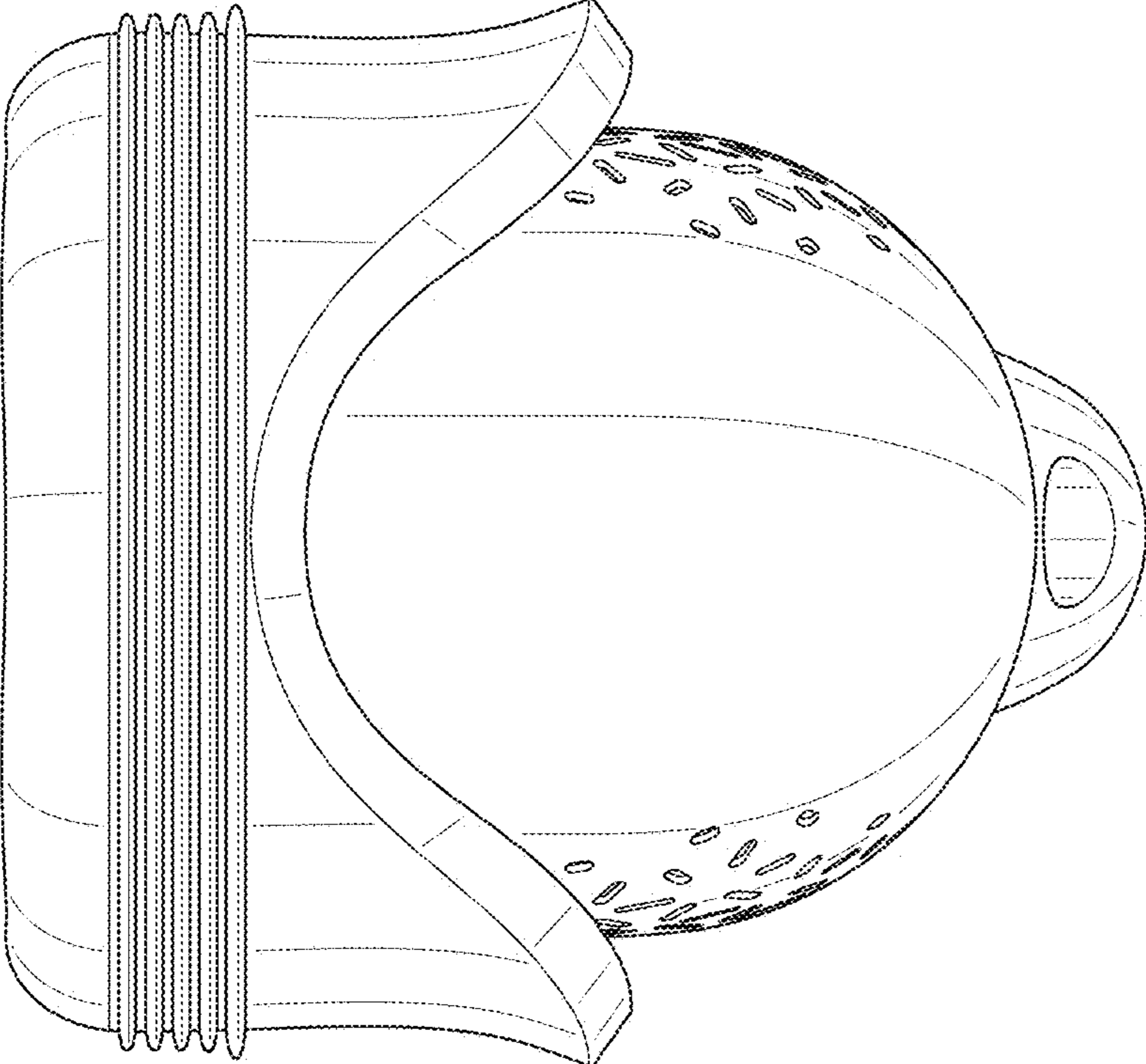


FIG. 33

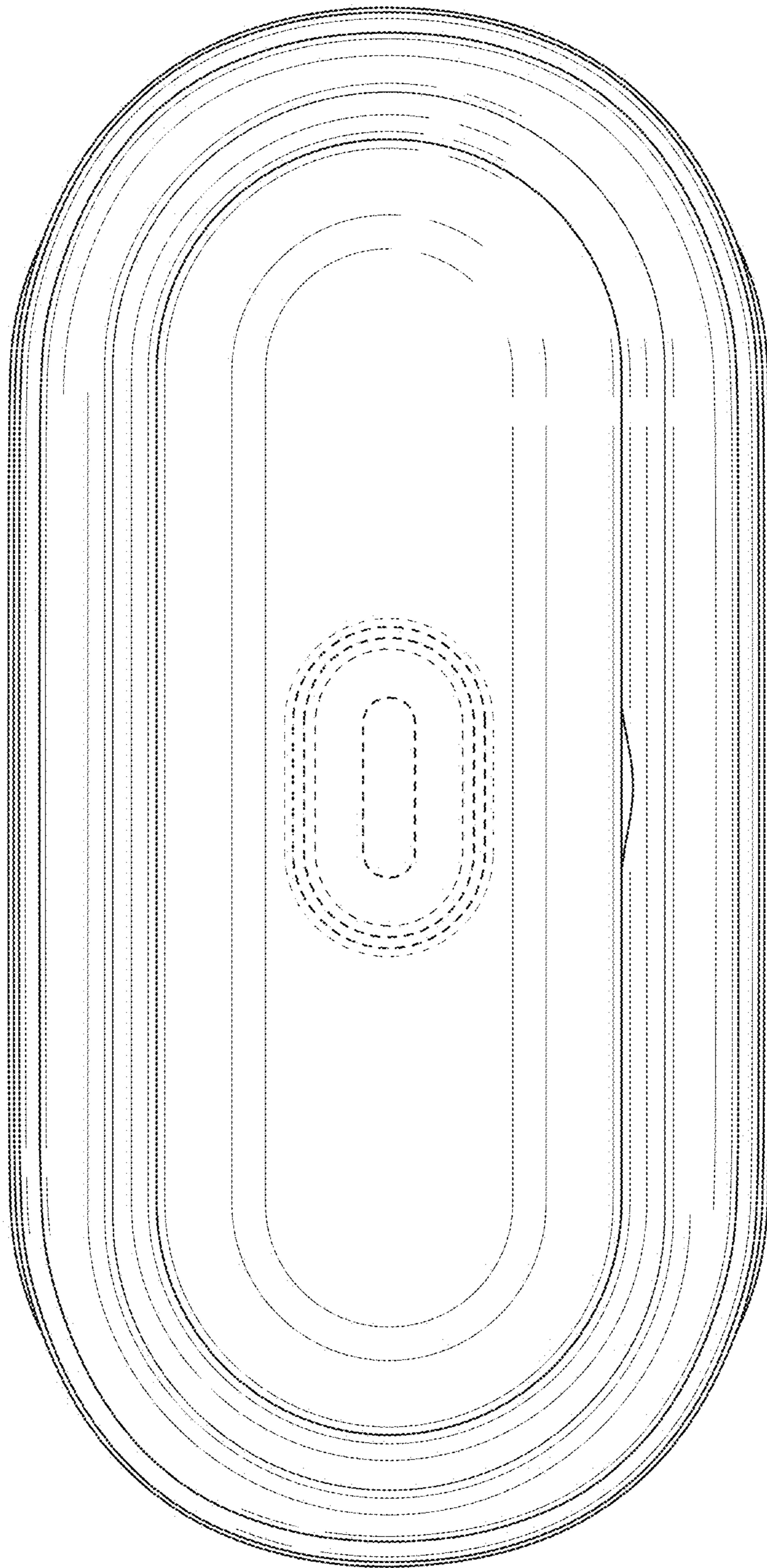


FIG. 34

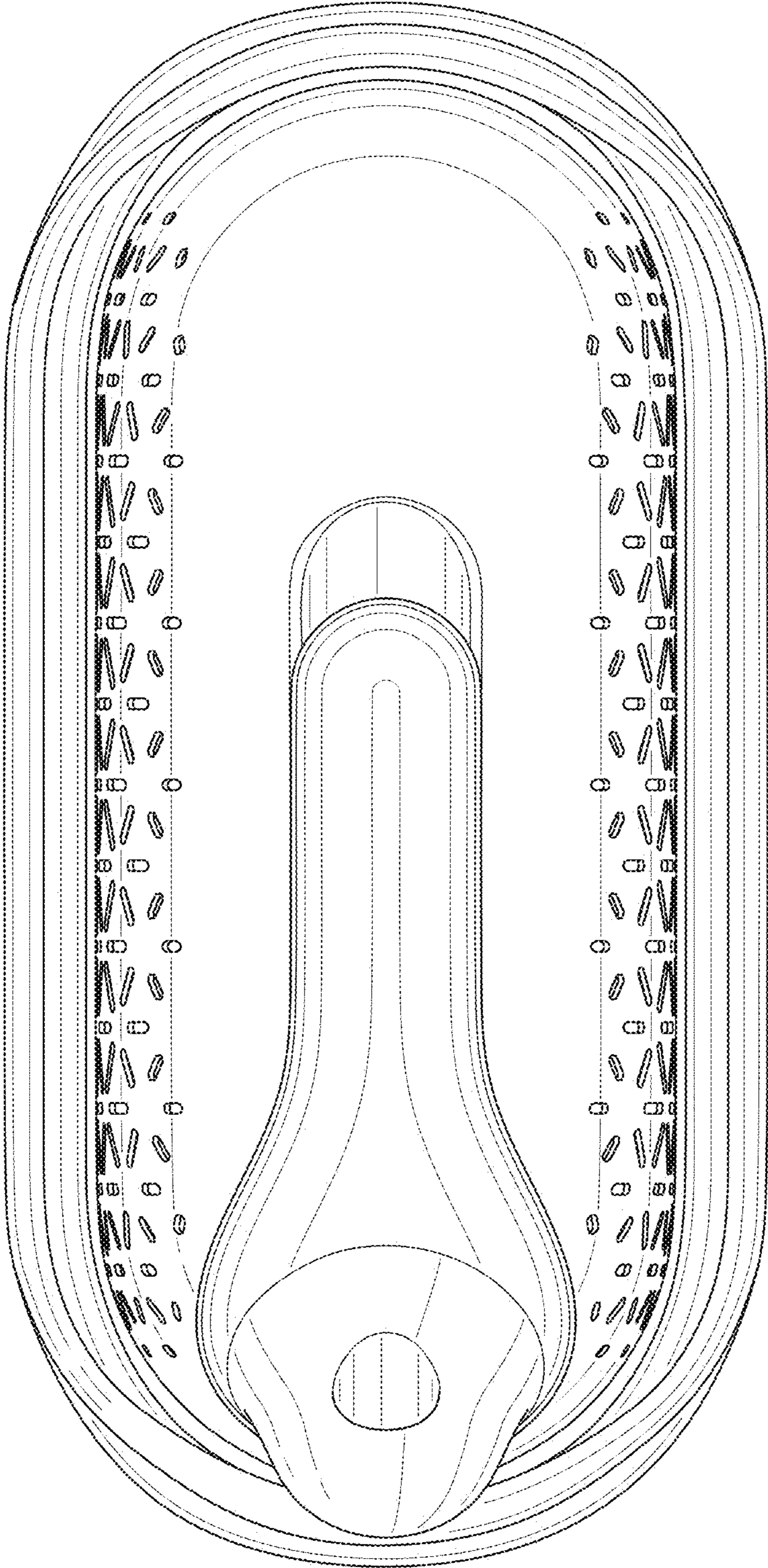


FIG. 35

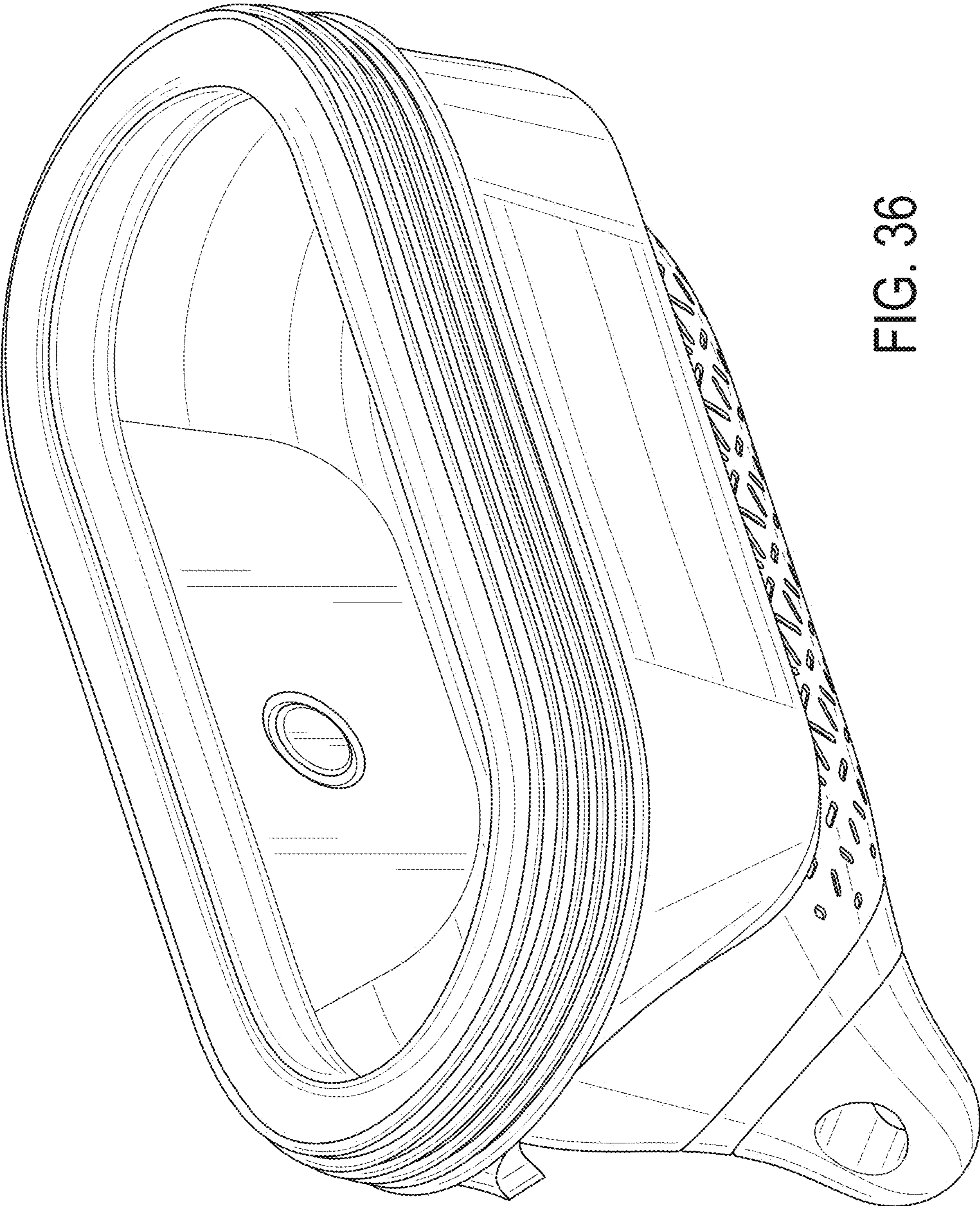


FIG. 36



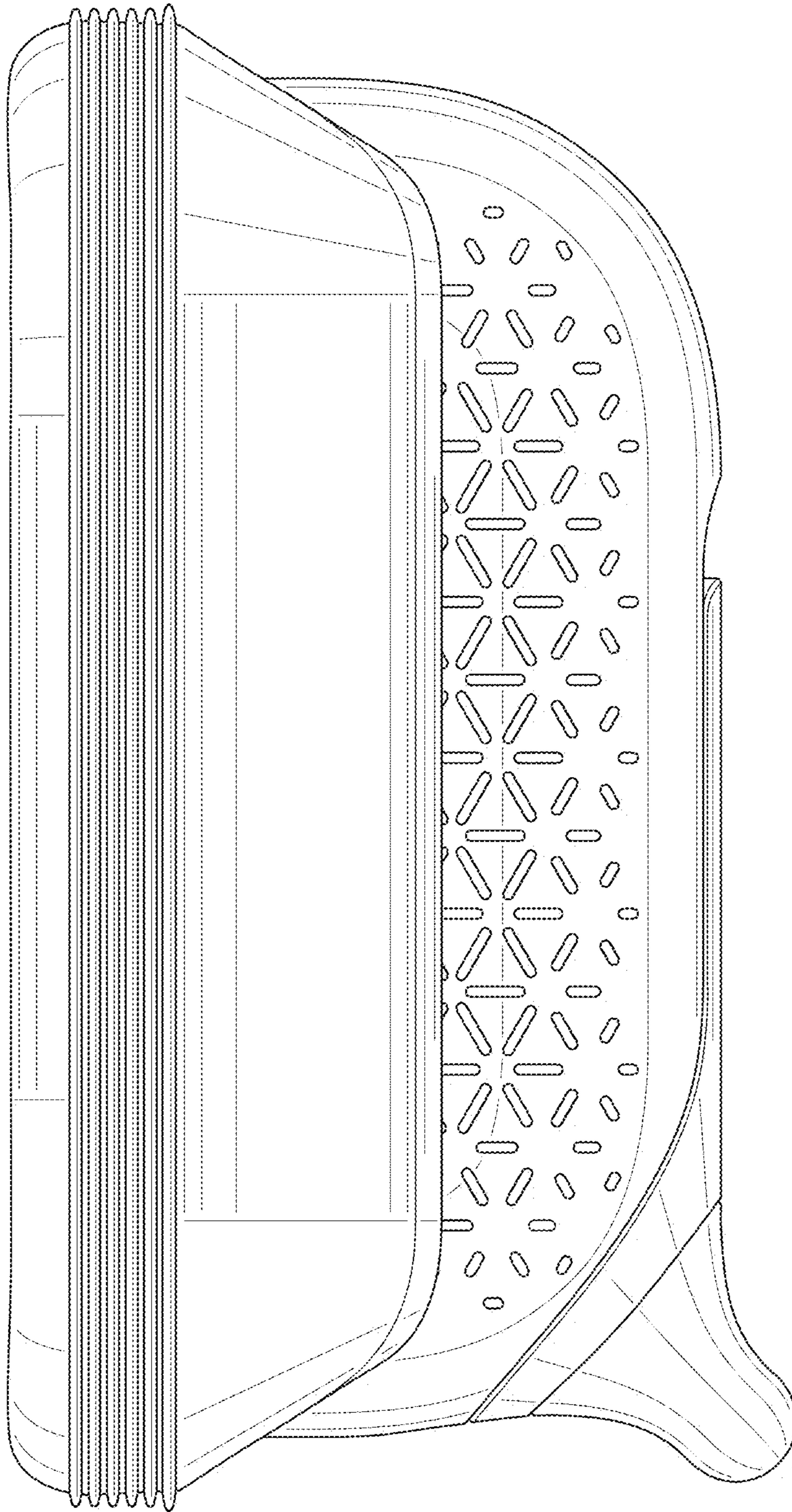


FIG. 37

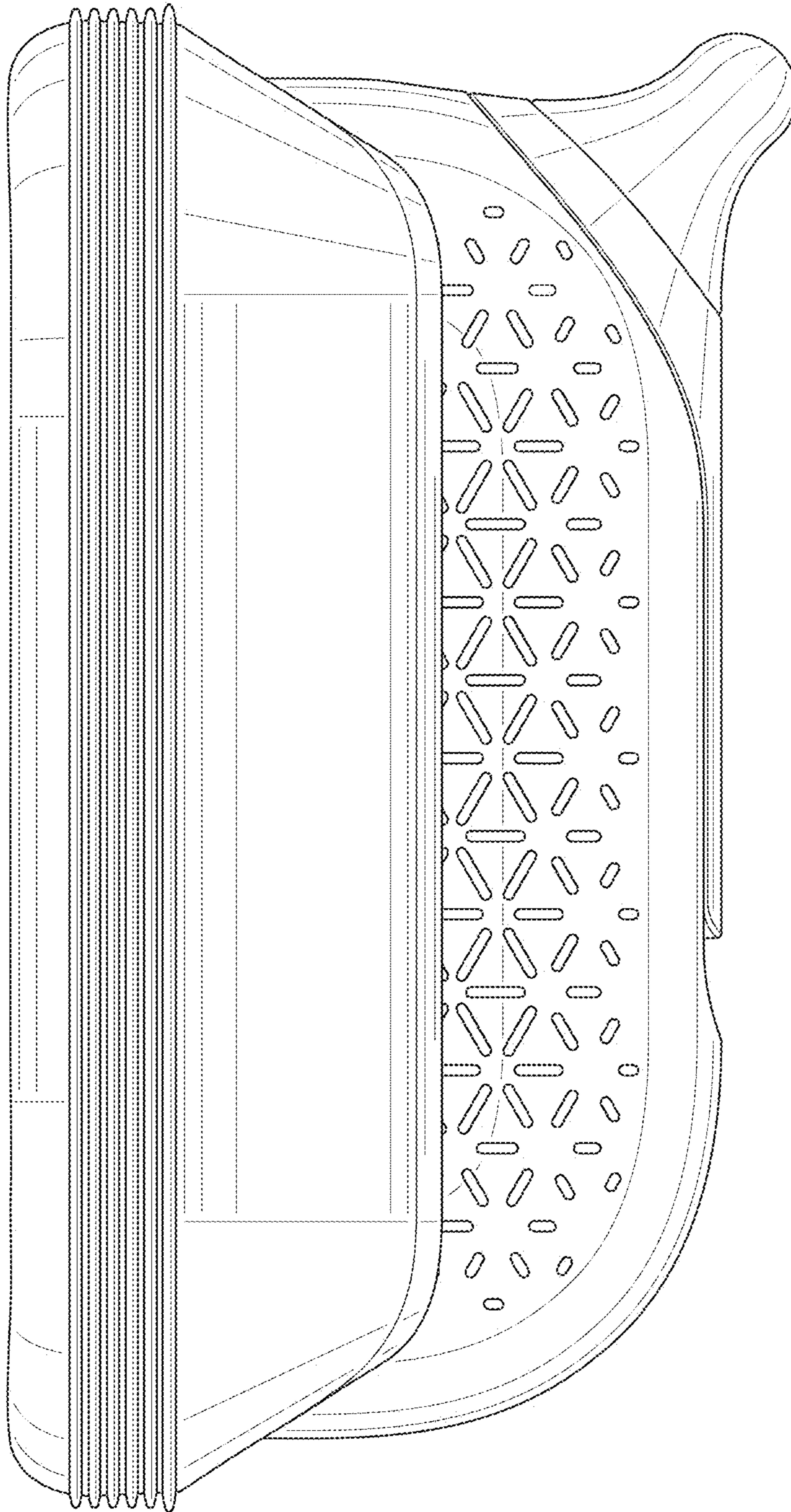


FIG. 38

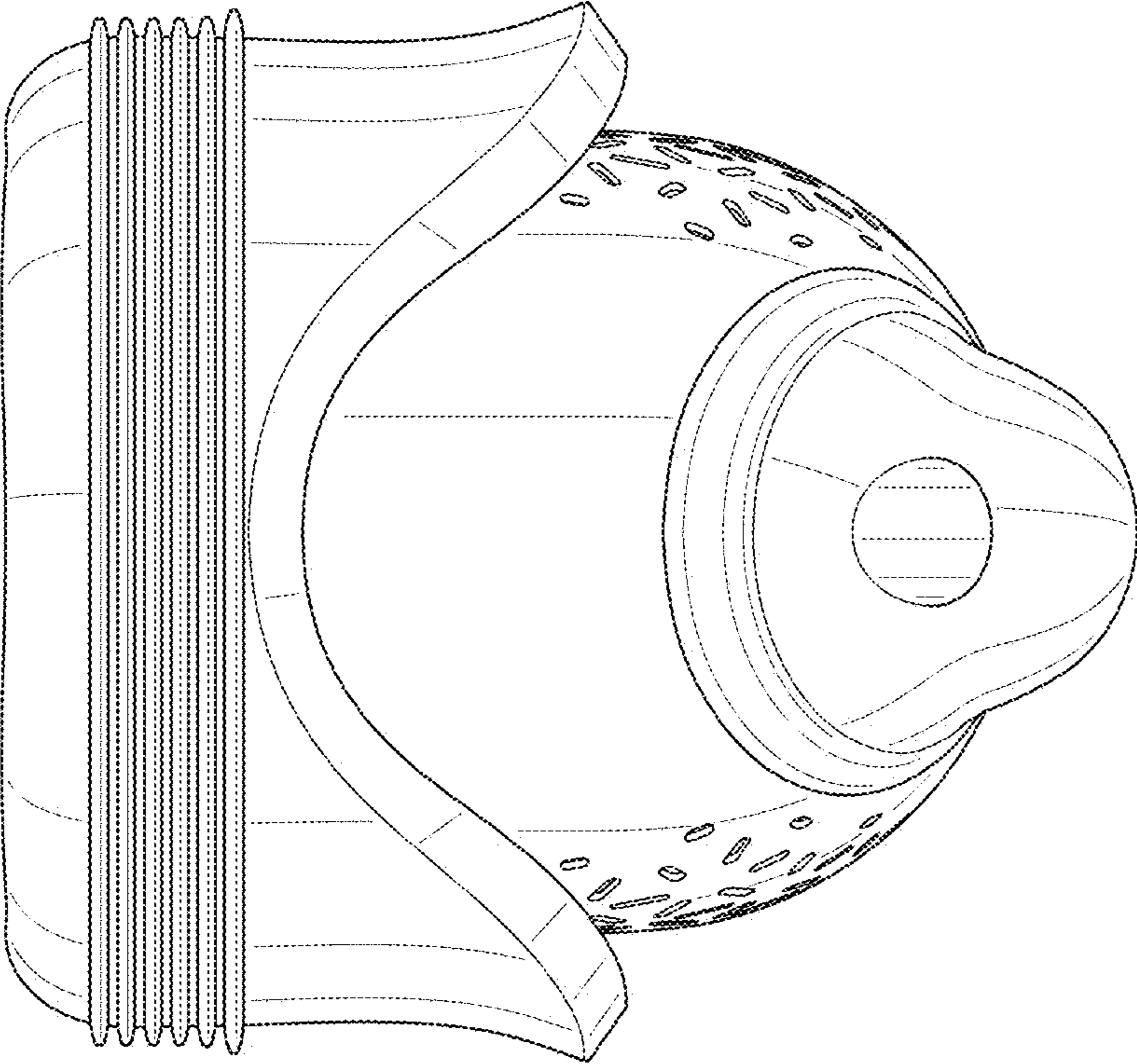


FIG. 39

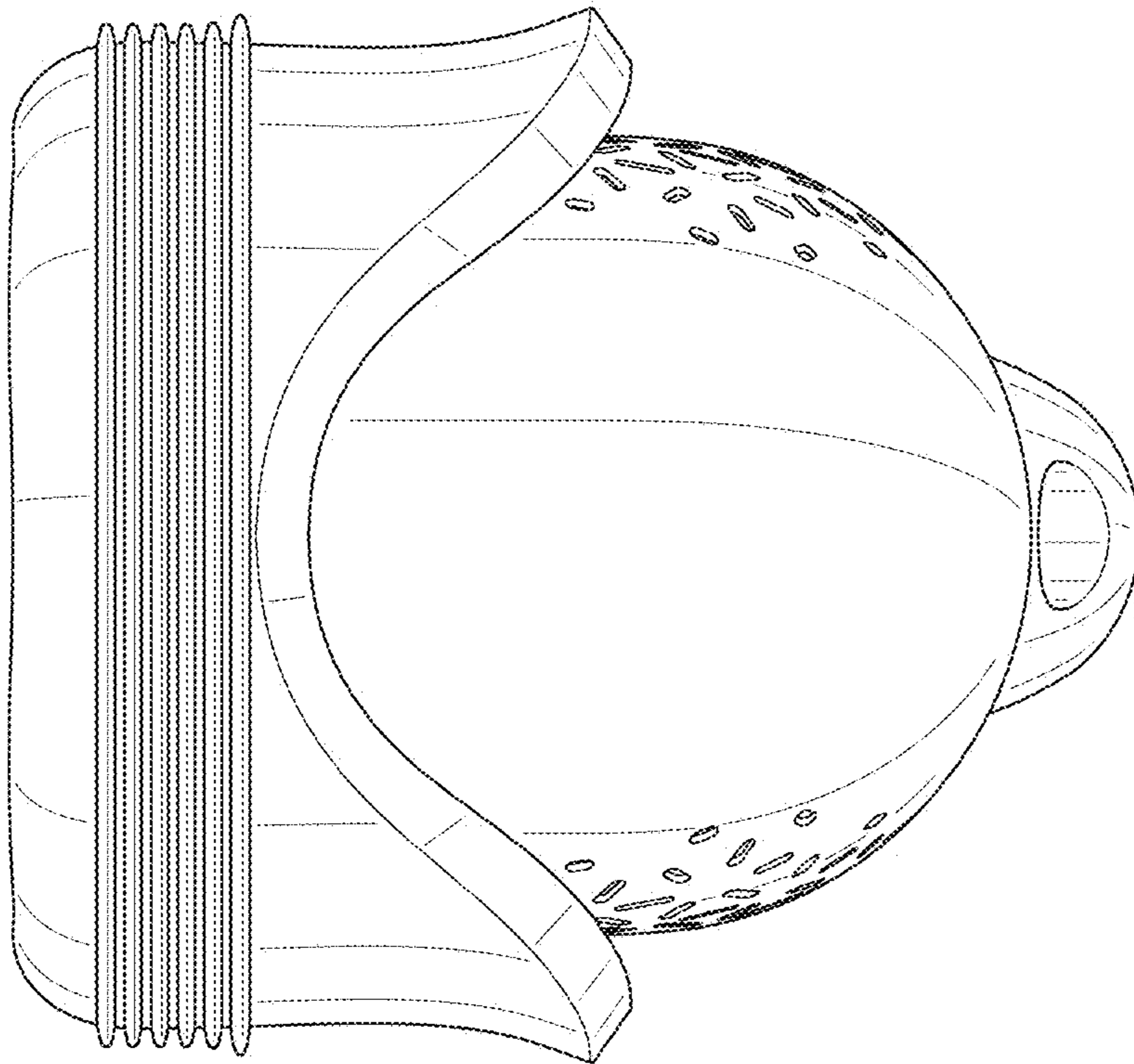


FIG. 40

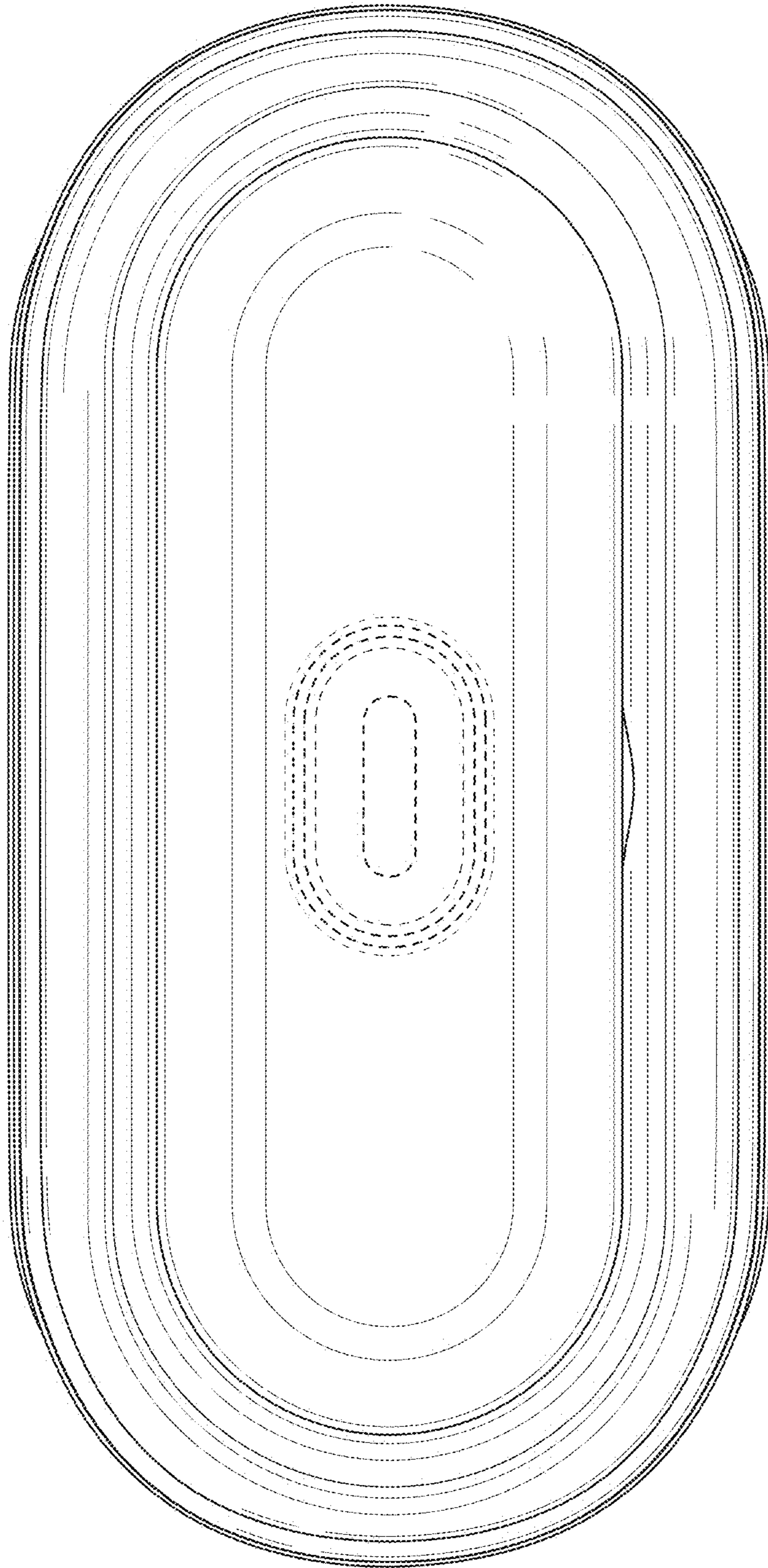


FIG. 41

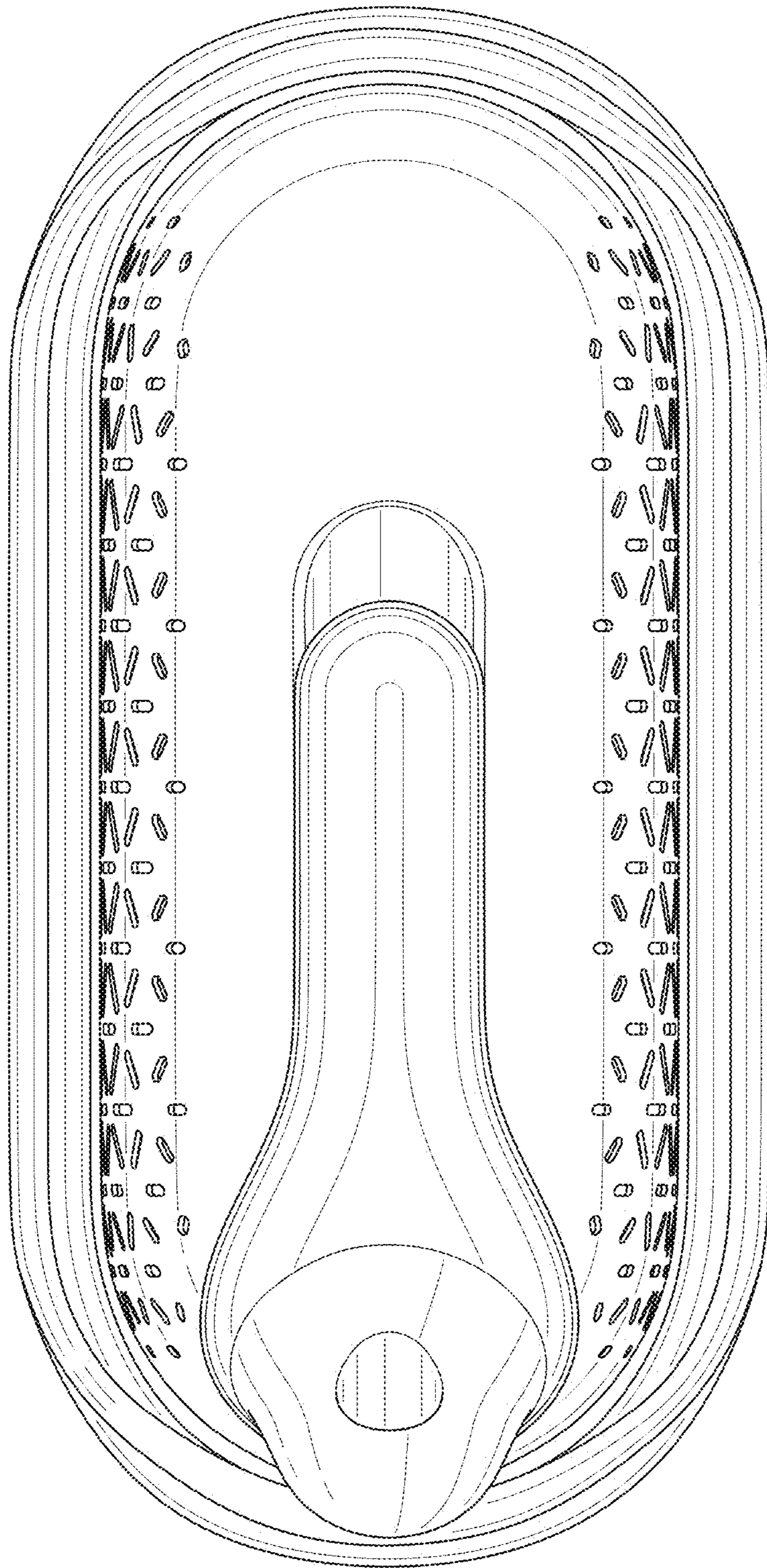


FIG. 42

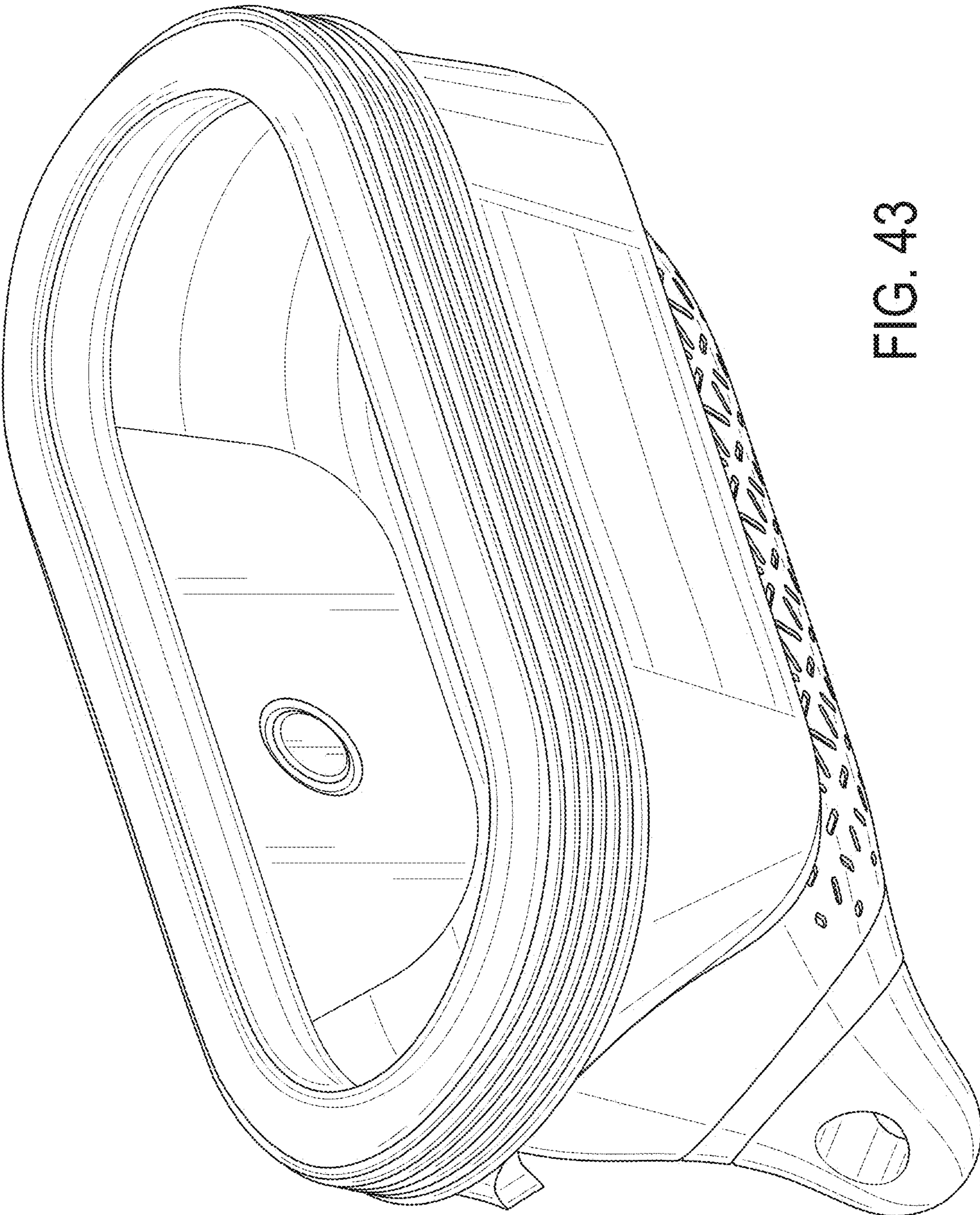


FIG. 43

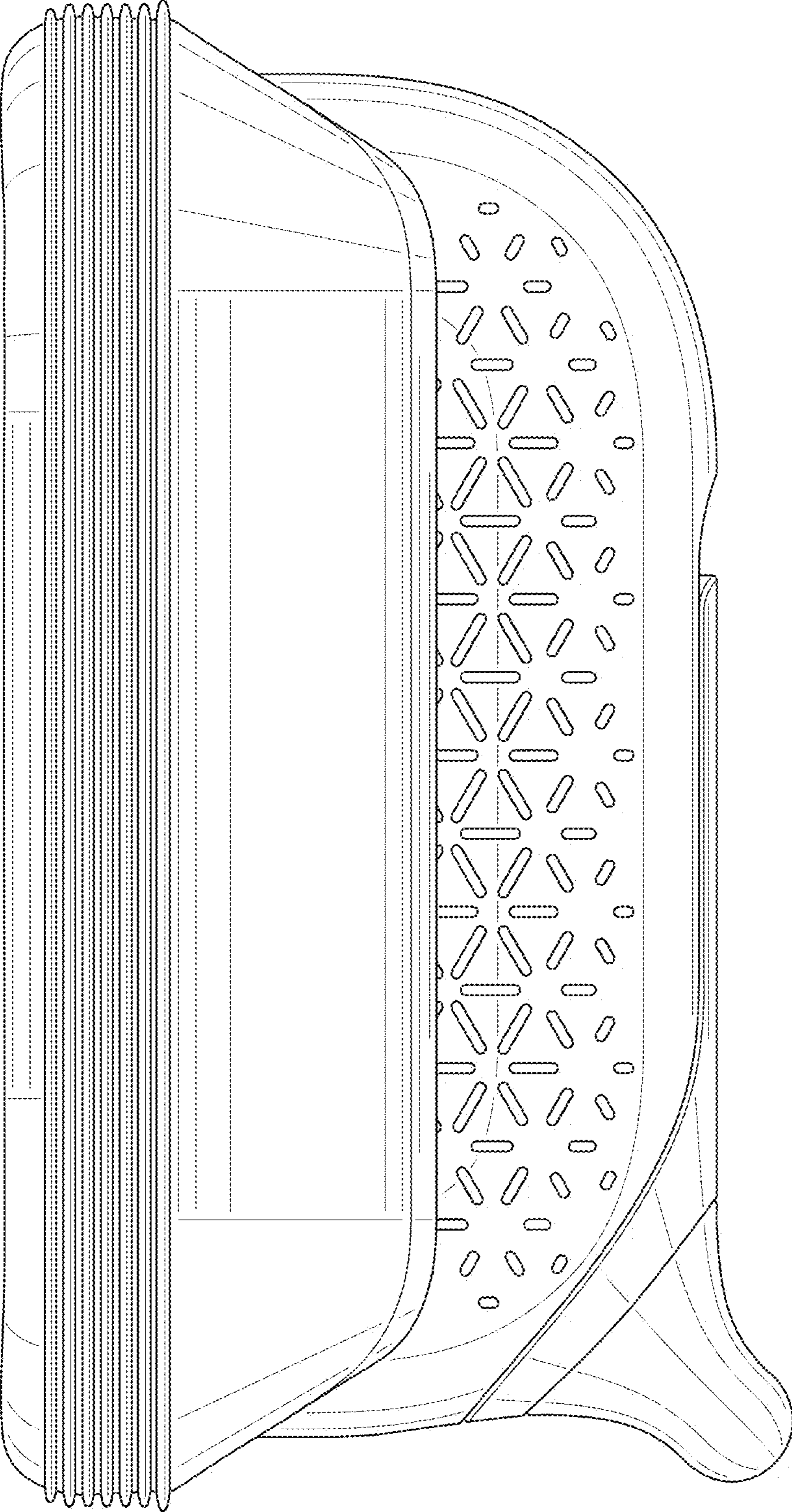


FIG. 44



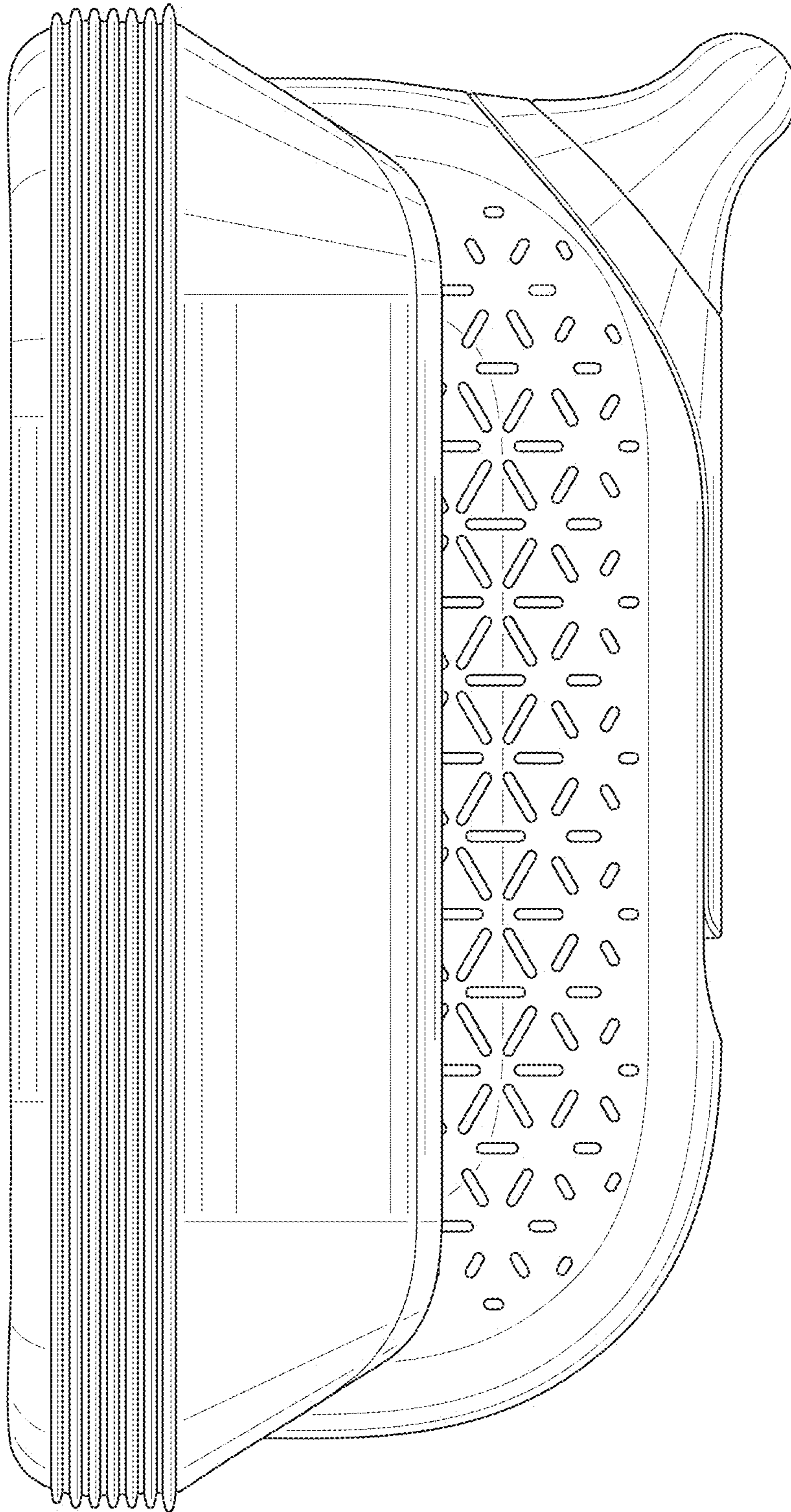


FIG. 45

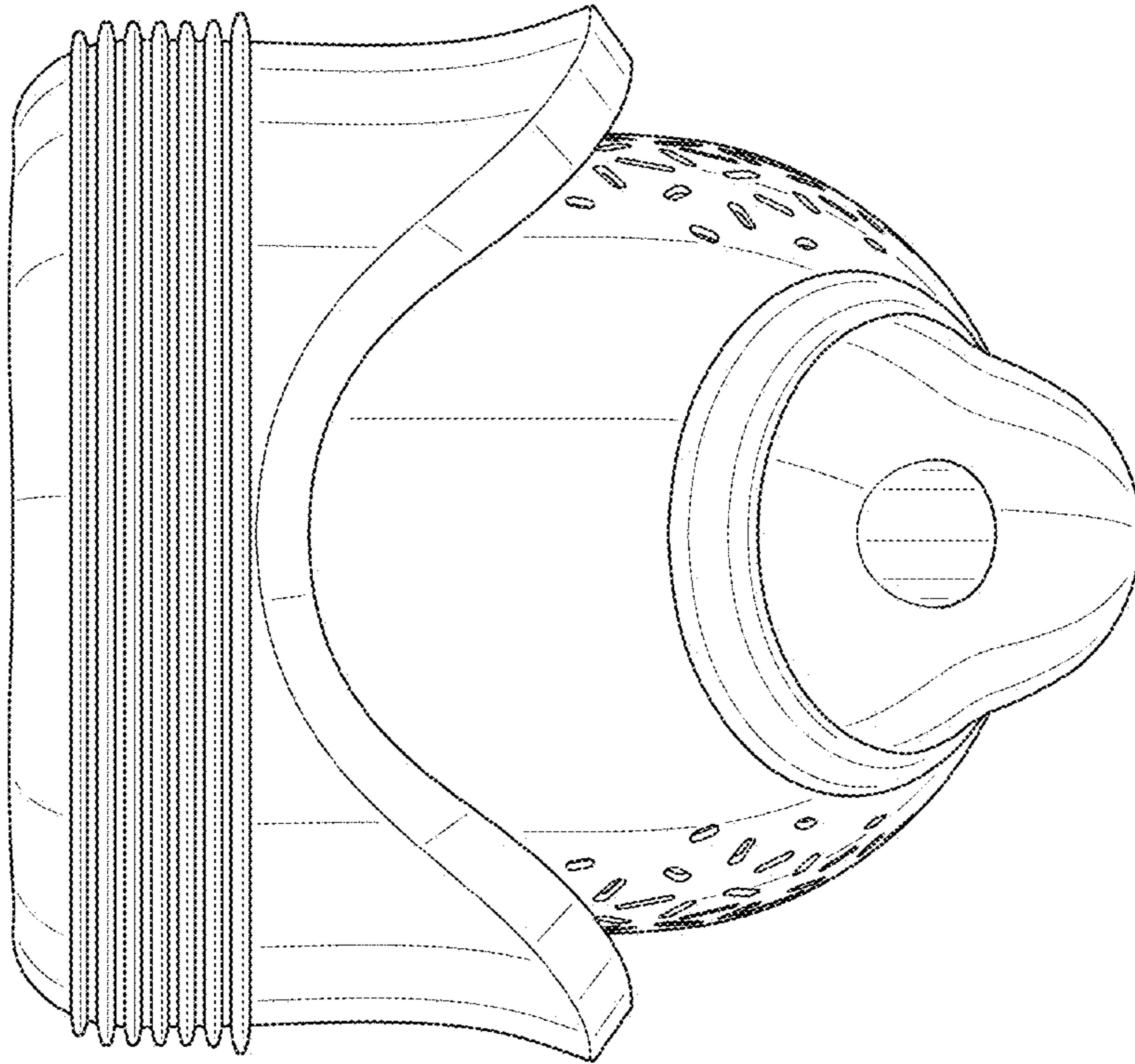


FIG. 46

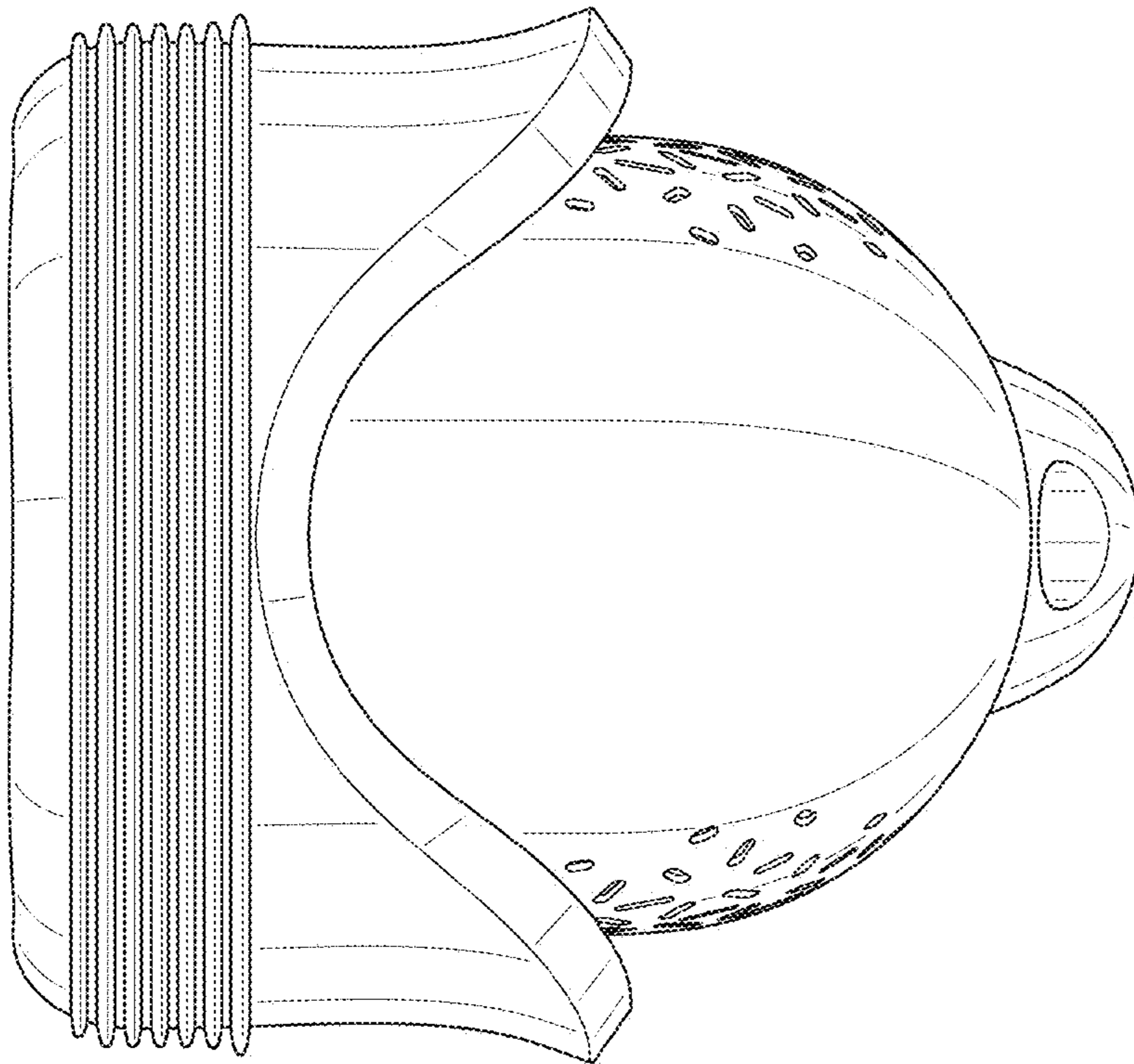


FIG. 47

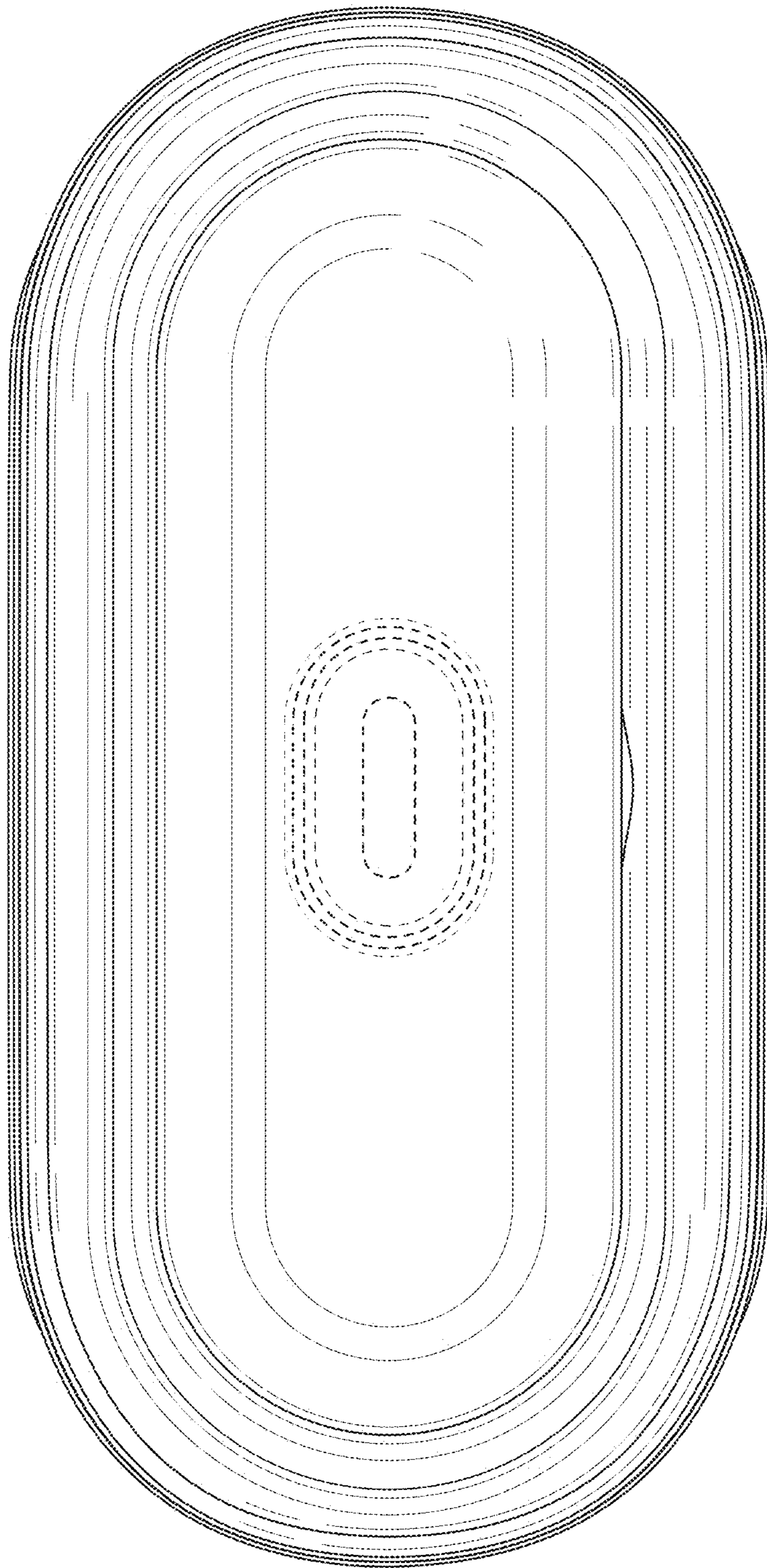


FIG. 48

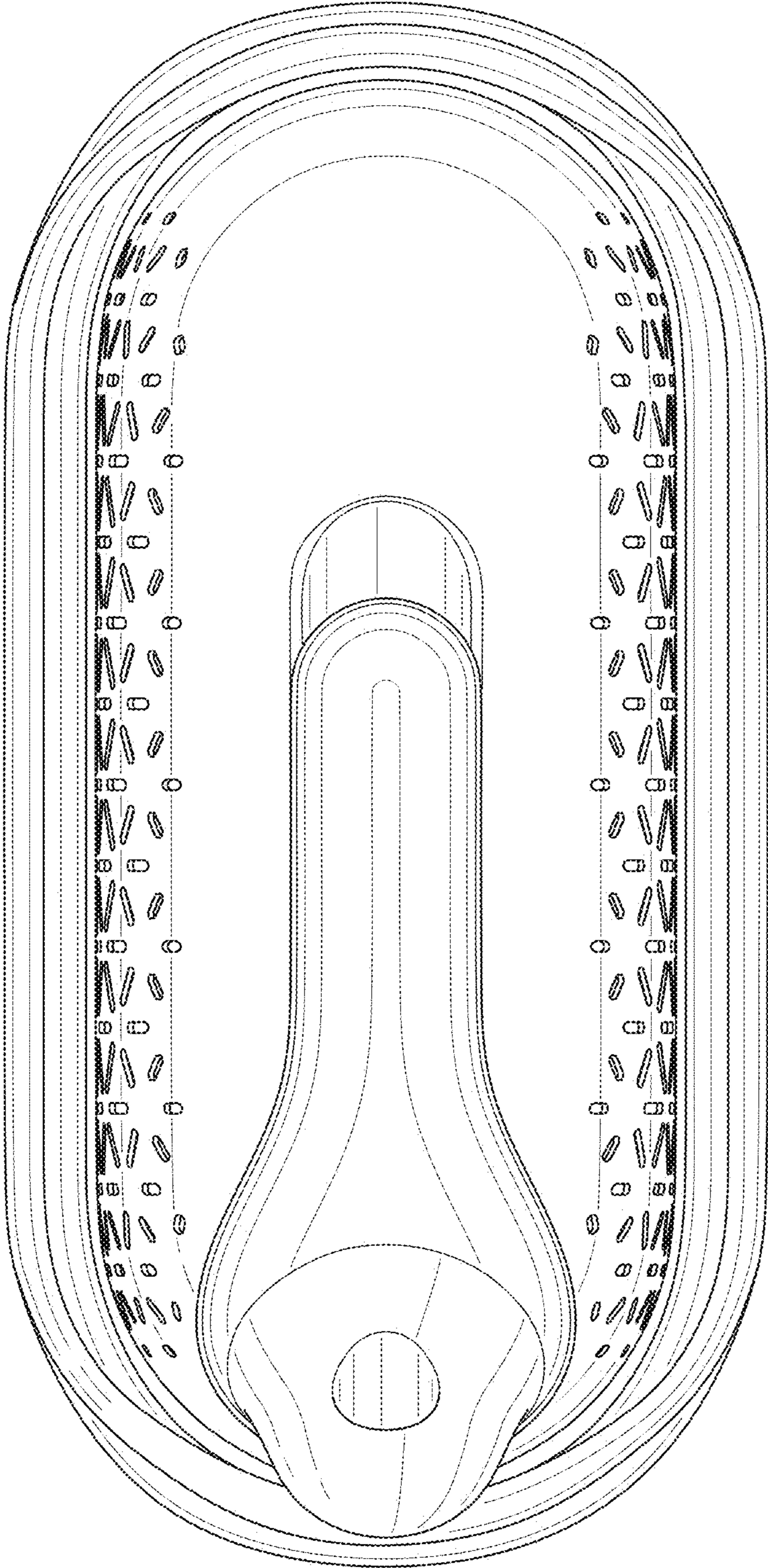


FIG. 49

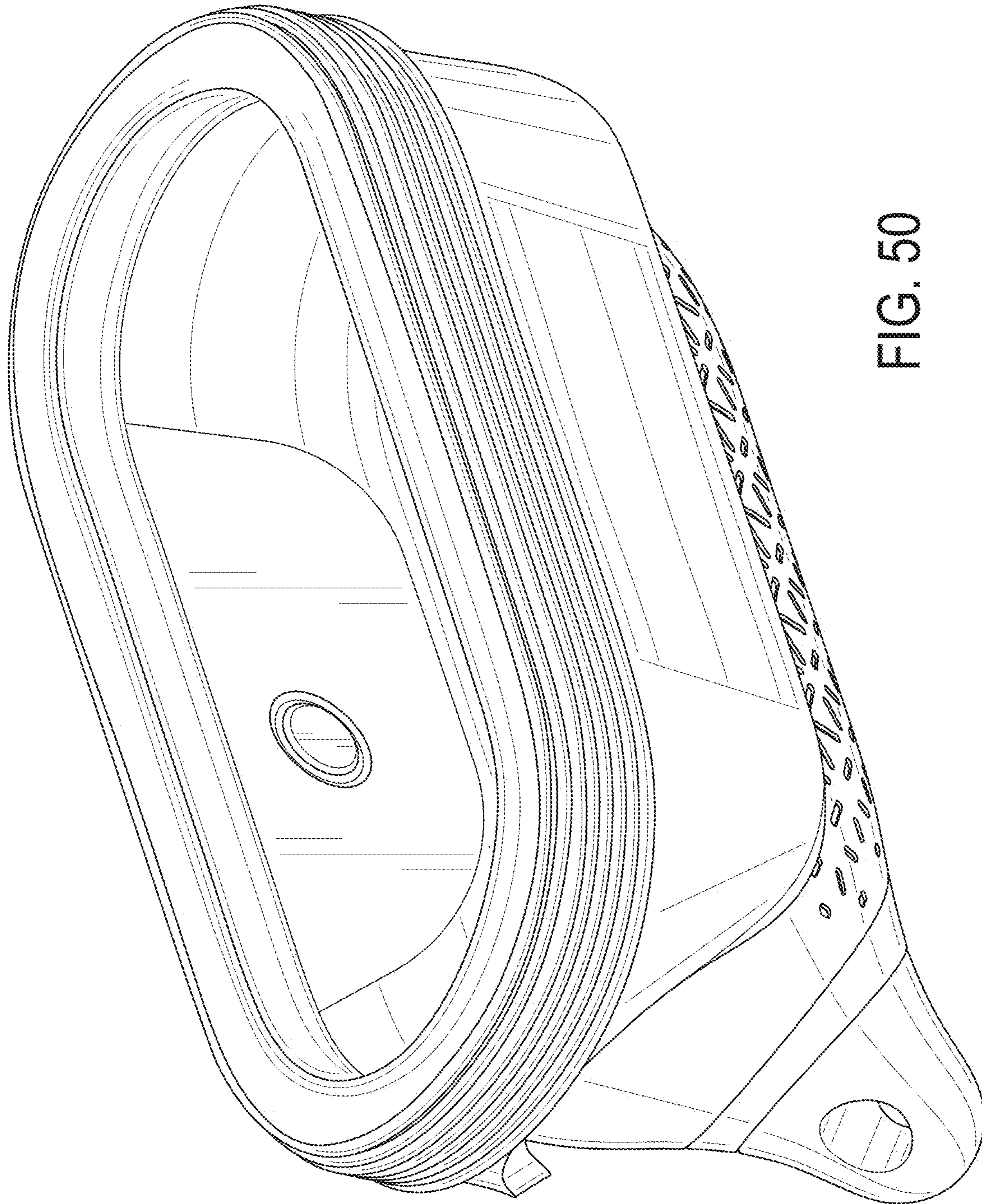


FIG. 50

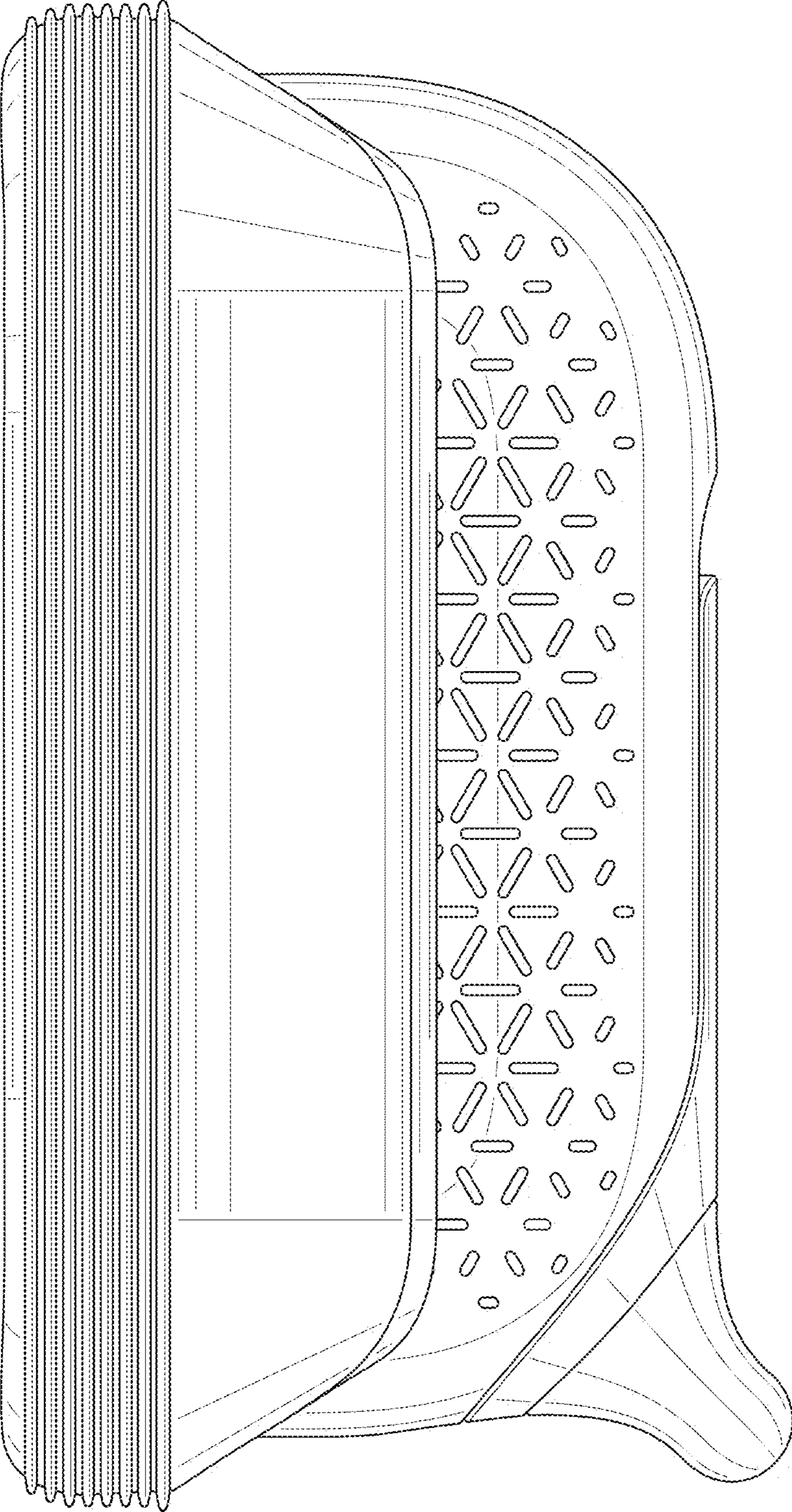


FIG. 51

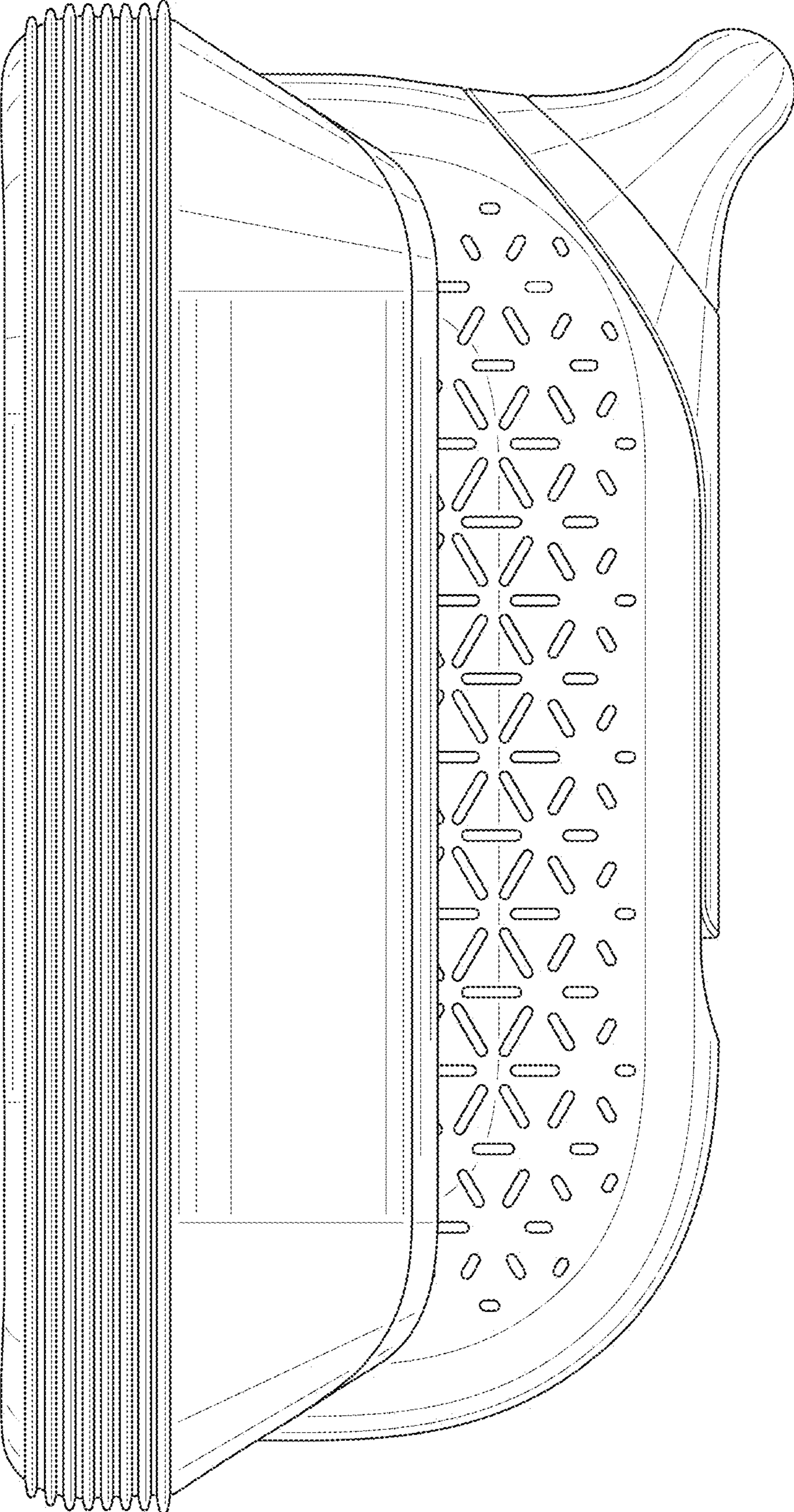


FIG. 52



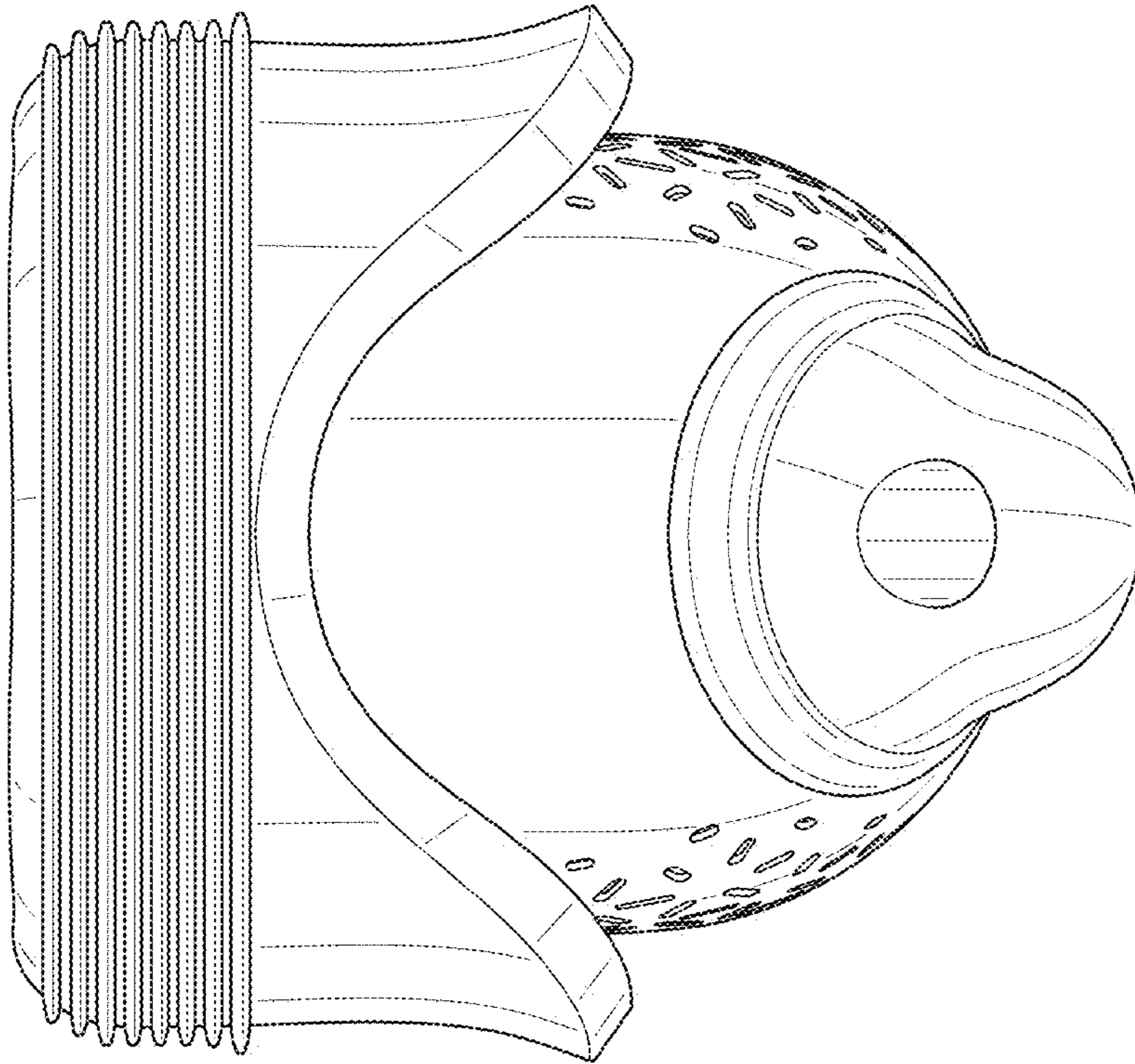


FIG. 53

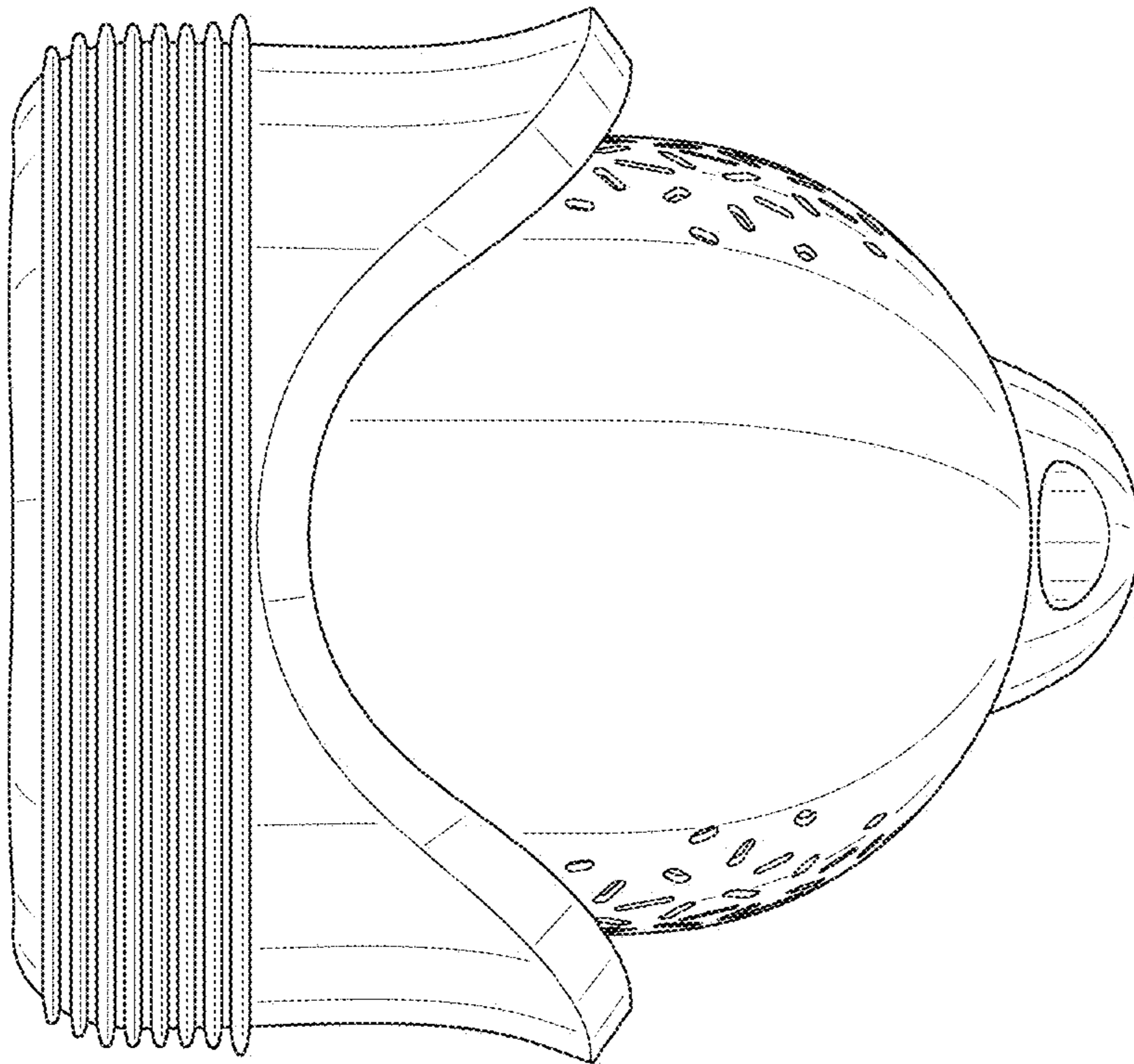


FIG. 54

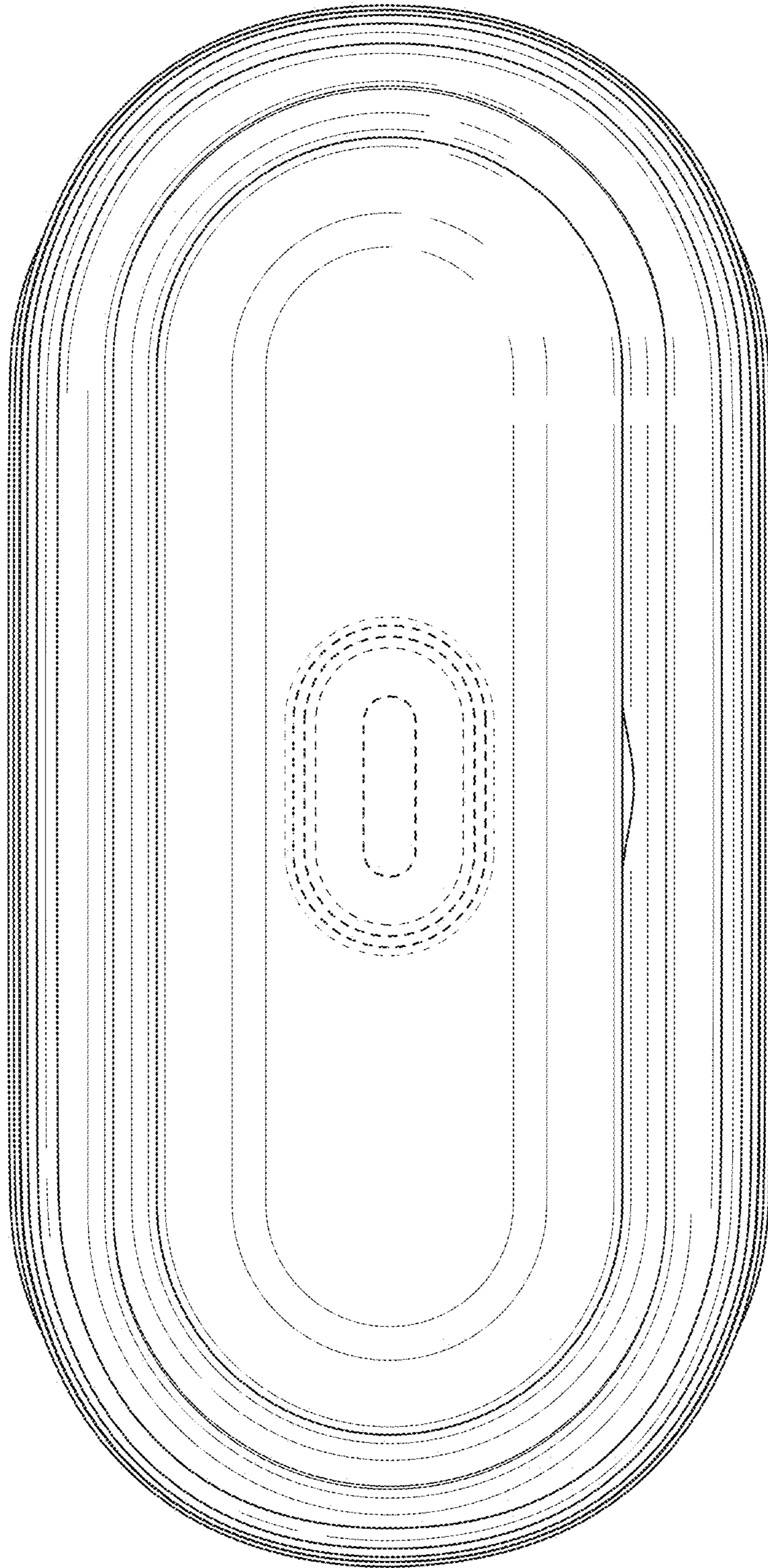


FIG. 55

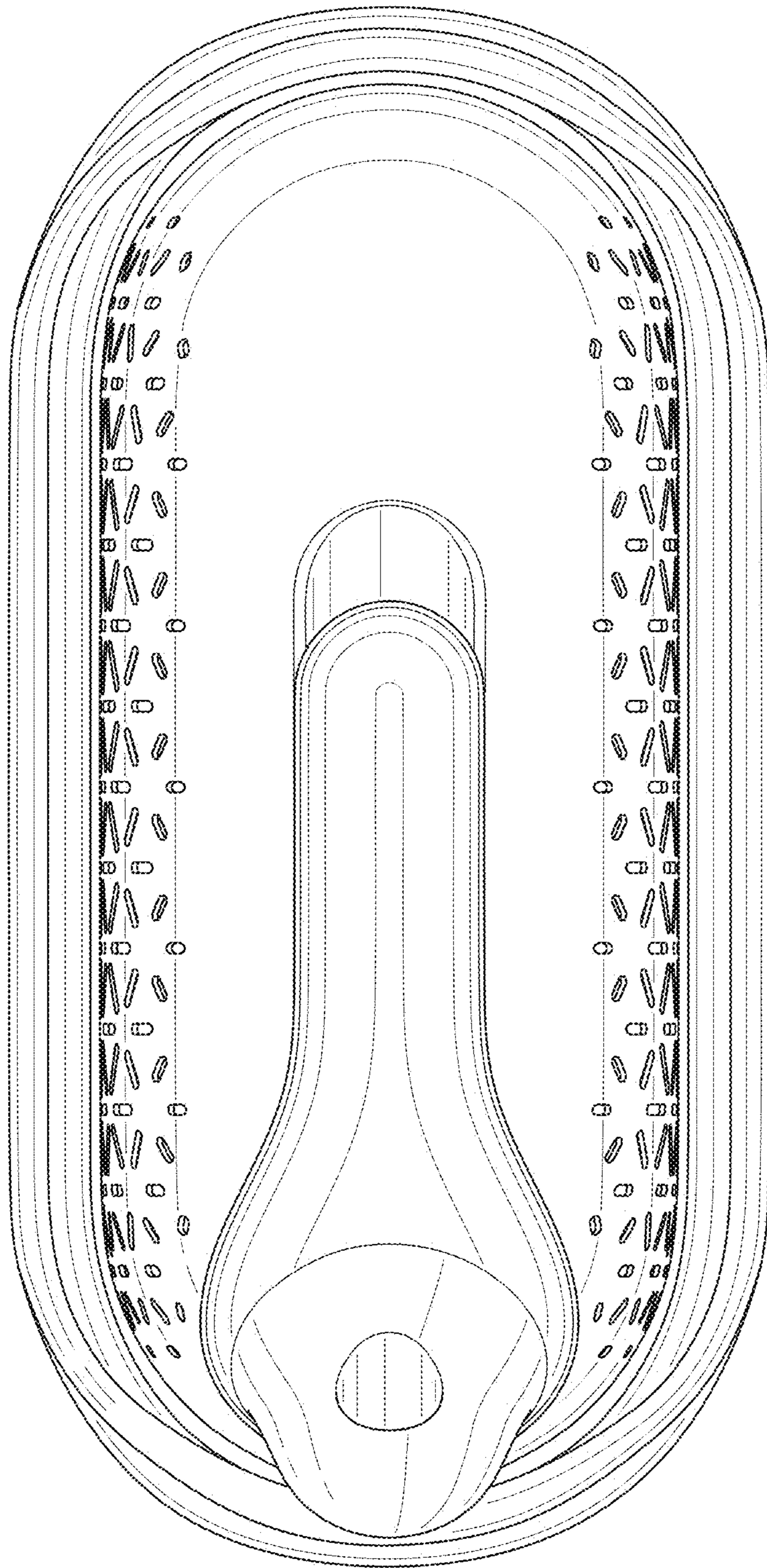


FIG. 56