



US00D954714S

(12) **United States Design Patent**  
**Lu**

(10) **Patent No.:** **US D954,714 S**  
(45) **Date of Patent:** **\*\* Jun. 14, 2022**

(54) **PORTABLE COMPUTER DOCKING STATION**

(71) Applicant: **GETAC TECHNOLOGY CORPORATION**, Hsinchu County (TW)

(72) Inventor: **Wei-Sen Lu**, Taipei (TW)

(73) Assignee: **GETAC TECHNOLOGY CORPORATION**, Hsinchu County (TW)

(\*\*) Term: **15 Years**

(21) Appl. No.: **29/725,595**

(22) Filed: **Feb. 26, 2020**

(51) **LOC (13) Cl.** ..... **14-02**

(52) **U.S. Cl.**  
USPC ..... **D14/434**

(58) **Field of Classification Search**  
USPC ..... D14/434, 356, 358, 447, 496, 149, 221, D14/224, 224.1, 238.1, 240, 251, 252, D14/253, 209.1, 217, 168, 172; D13/107-108  
CPC ..... G06F 1/16; G06F 1/1616; G06F 1/1626; G06F 1/1632; G06F 1/1675; G06F 1/1688; F16M 11/10; F16M 11/24; H05K 5/0234; H04M 1/04

See application file for complete search history.

(56) **References Cited**

**U.S. PATENT DOCUMENTS**

D369,789 S *	5/1996	Lucente, II	.....	D14/434
D394,247 S *	5/1998	Kondo	.....	D14/434
D396,454 S *	7/1998	Shima	.....	D14/434
D416,548 S *	11/1999	Sugano	.....	D14/434
D468,258 S *	1/2003	Guo	.....	D13/107
D504,893 S *	5/2005	Araki	.....	D14/434
D655,351 S *	3/2012	Zenri	.....	D21/333

(Continued)

**OTHER PUBLICATIONS**

Getac Office Dock—docking station MFG.PART: GDOFUP CDW PART: 5789086, cdw.com, [online], [site visited Apr. 6, 2022], Available from internet URL: <https://www.cdw.com/product/getac-office-dock-docking-station/5789086> (Year: 2022).\*

(Continued)

*Primary Examiner* — Samantha Q Lawrence  
*Assistant Examiner* — Holly M Rodriguez

(57) **CLAIM**

The ornamental design for a portable computer docking station, as shown and described.

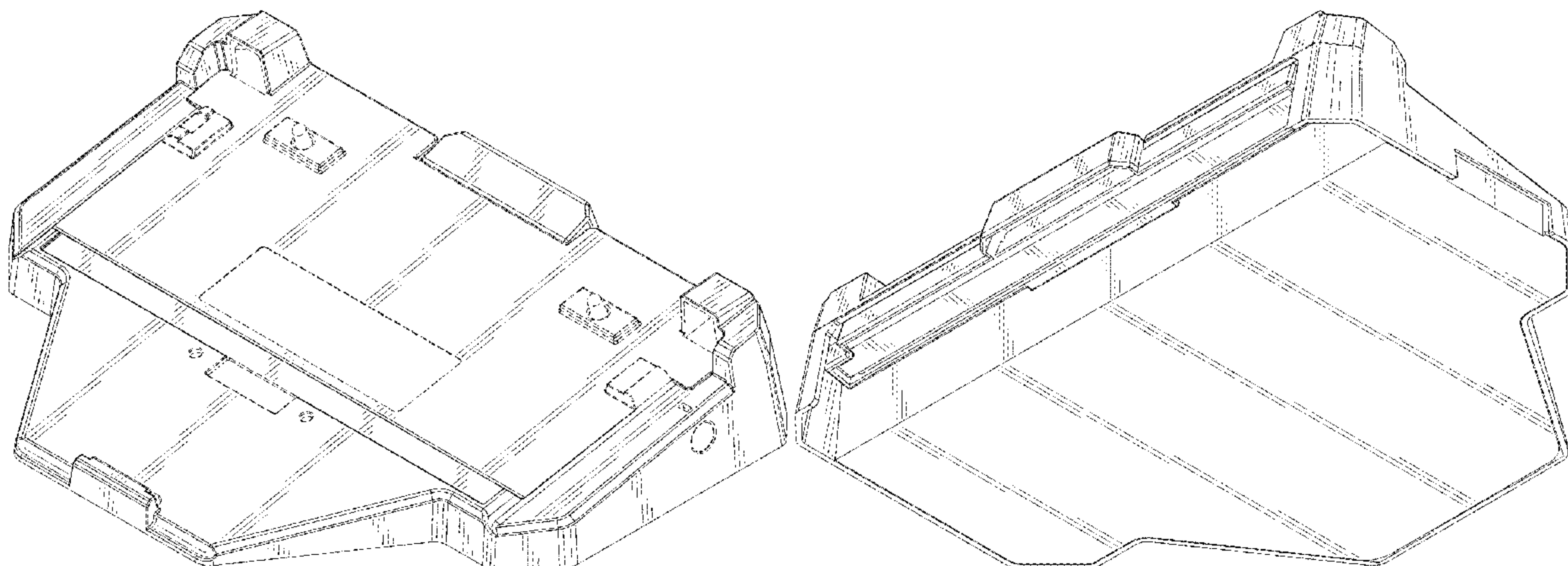
**DESCRIPTION**

FIG. 1 is a front, right, and top perspective view of the portable computer docking station;  
FIG. 2 is a front view thereof;  
FIG. 3 is a rear view thereof;  
FIG. 4 is a left side view thereof;  
FIG. 5 is a right side view thereof;  
FIG. 6 is a top view thereof;  
FIG. 7 is a bottom view thereof;  
FIG. 8 is a rear, left, and top perspective view thereof;  
FIG. 9 is a rear, left and bottom perspective view thereof;  
and,  
FIG. 10 is a front, right, and top perspective view thereof of FIG. 1 showing an example of a note computer device seated therein.

The broken lines in FIGS. 1-9 illustrate portions of the portable computer docking station that form no part of the claimed design.

The broken lines in FIG. 10 are shown for the purpose of illustrating environmental structure that forms no part of the claimed design, and also show portions of the portable computer docking station that form no part of the claimed design.

**1 Claim, 8 Drawing Sheets**



(56)

**References Cited**

U.S. PATENT DOCUMENTS

D656,555	S *	3/2012	Zenri	.....	D21/333
D780,762	S *	3/2017	Ju	.....	D14/434
D822,379	S *	7/2018	Li	.....	D3/218
10,248,162	B1 *	4/2019	Cheng	.....	F16M 11/041
D865,769	S *	11/2019	Lu	.....	D14/434
2007/0297130	A1 *	12/2007	Fan	.....	G06F 1/1632 361/679.44
2008/0055844	A1 *	3/2008	Kobayashi	.....	G06F 1/1632 361/679.44
2011/0267769	A1 *	11/2011	Nakamura	.....	G06F 1/1632 361/679.48
2012/0155014	A1 *	6/2012	Tachibana	.....	G06F 1/1632 361/679.41
2017/0344060	A1 *	11/2017	Shibayama	.....	G06F 1/1632
2018/0046218	A1 *	2/2018	Iwamoto	.....	E05B 73/0082

OTHER PUBLICATIONS

Getac Trolley Dock Station with AC Adapter for A140, ultima-computers.co.uk, [online], [site visited Apr. 6, 2022], Available from internet URL: <https://www.ultima-computers.co.uk/rugged-computers-getac-tablets/a140-accessories/trolley-dock-station-gdof-i> (Year: 2022).\*

\* cited by examiner

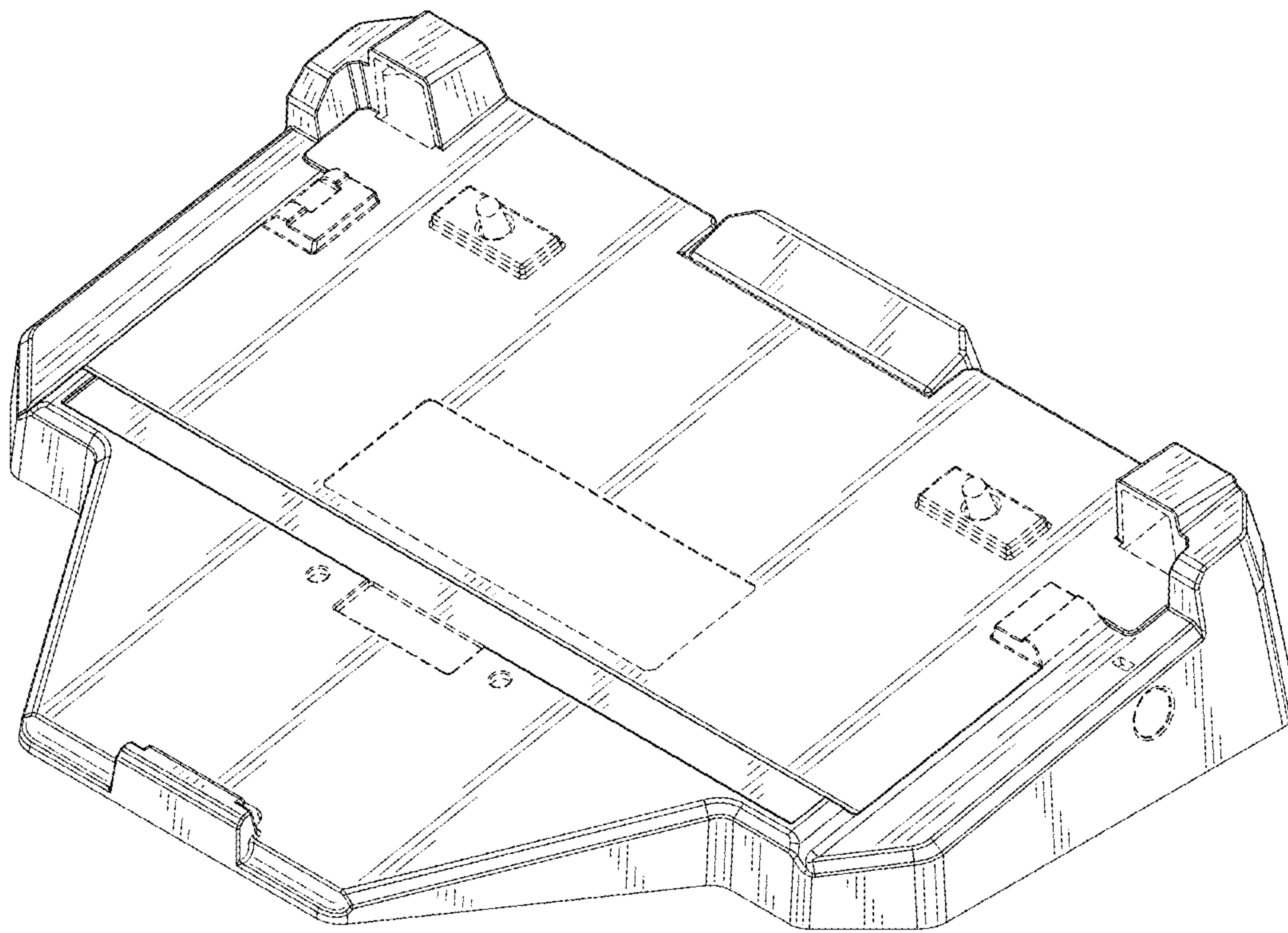


FIG. 1



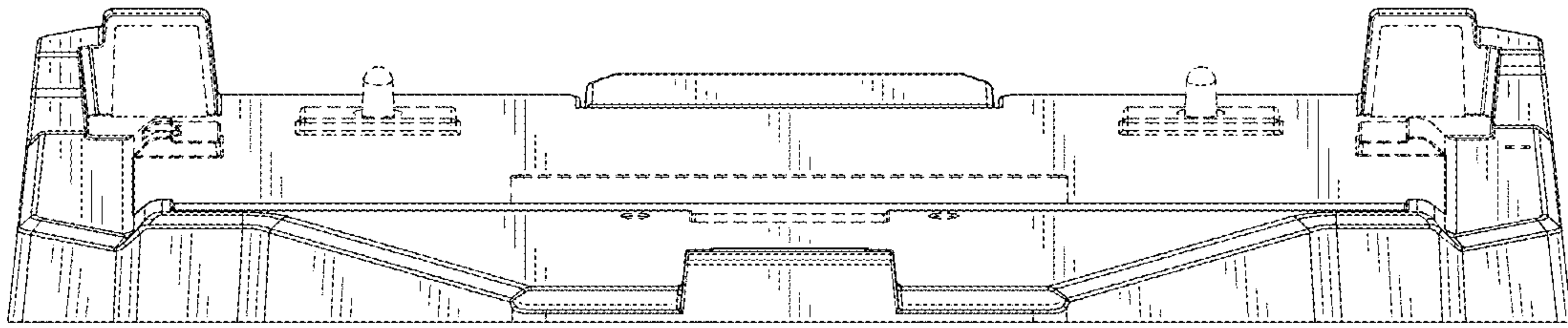


FIG. 2

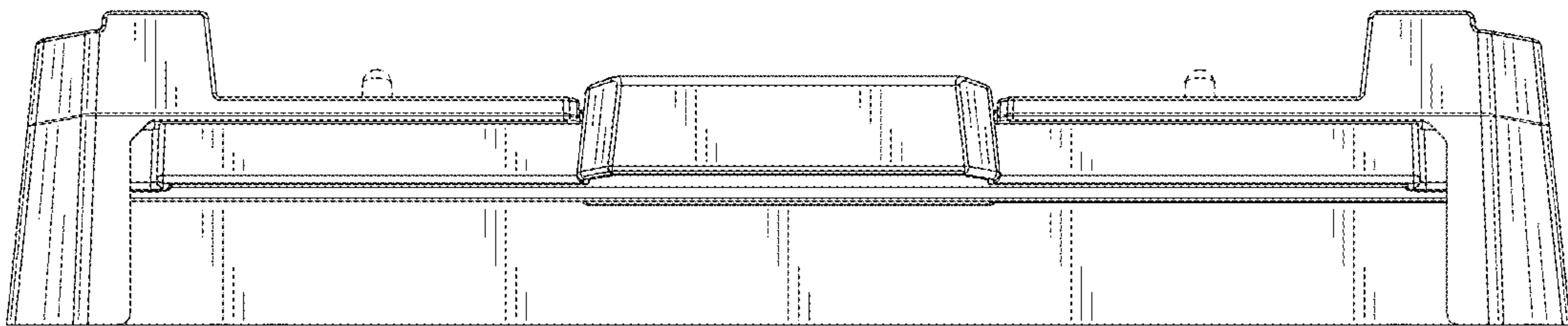


FIG. 3

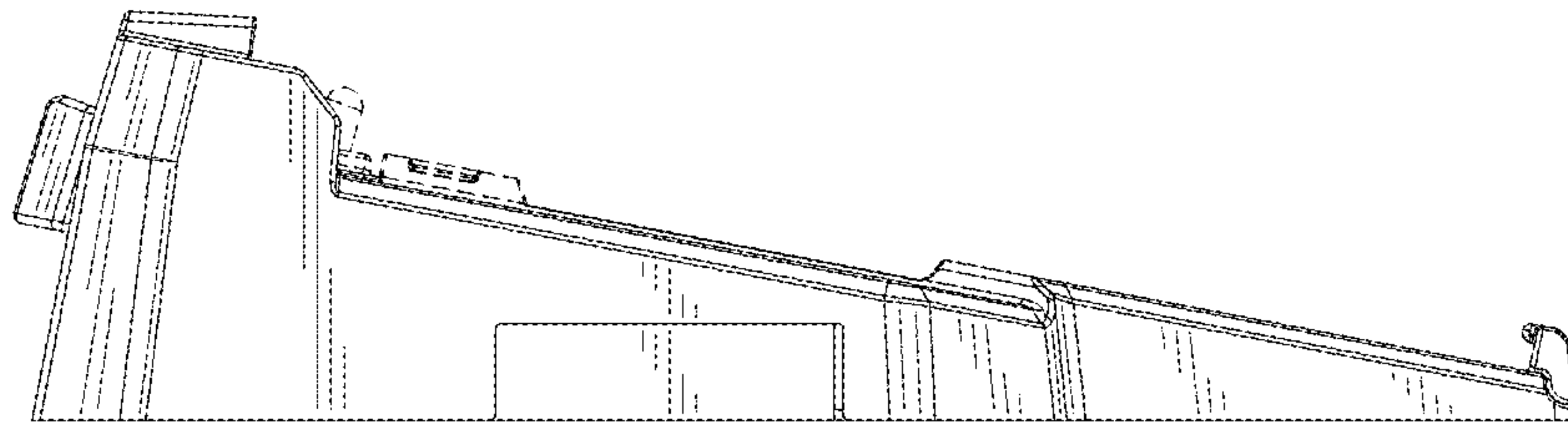


FIG. 4

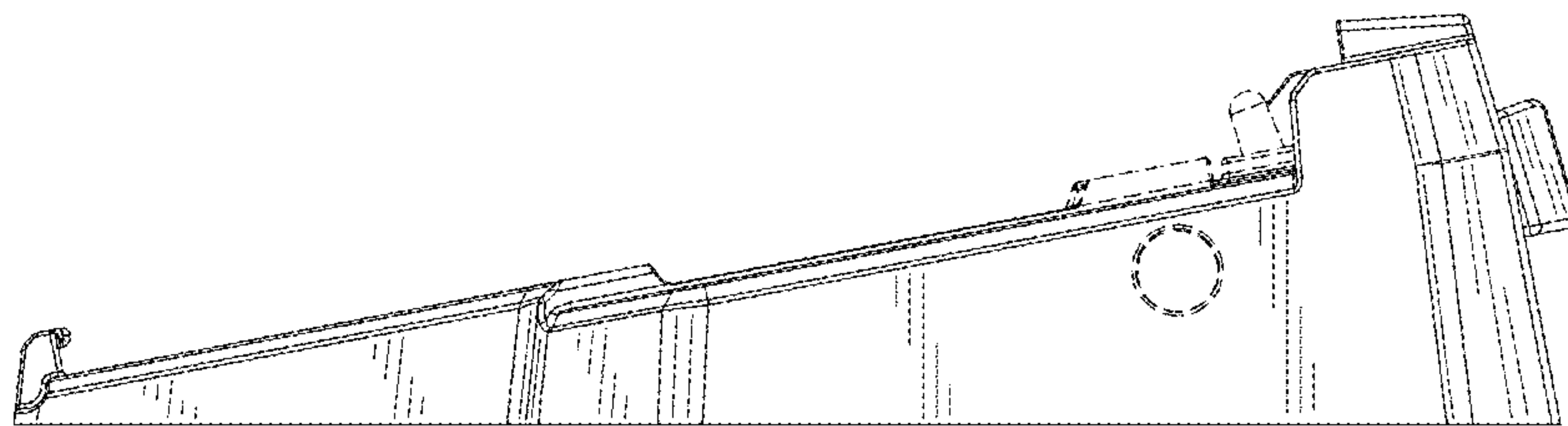


FIG. 5

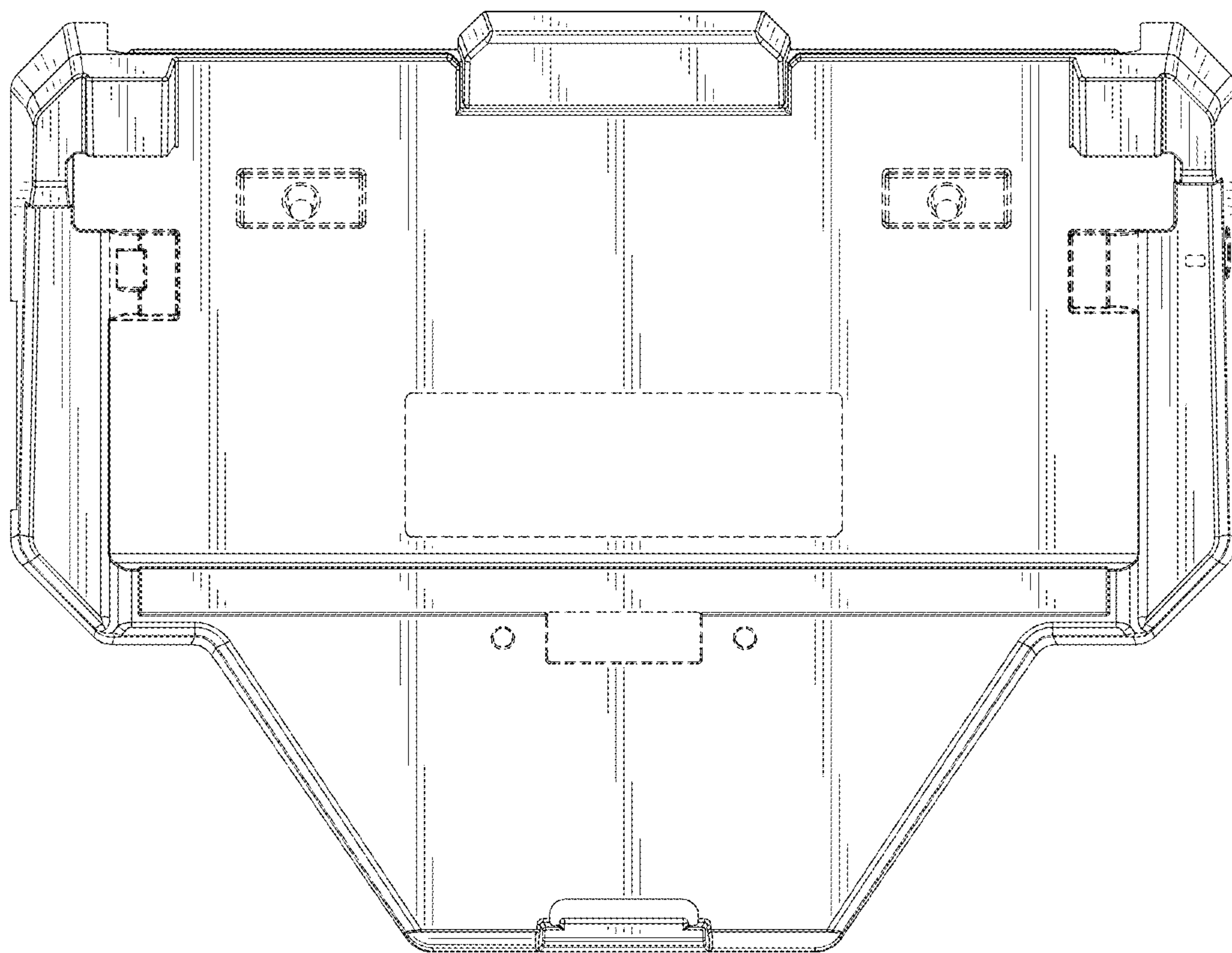


FIG. 6

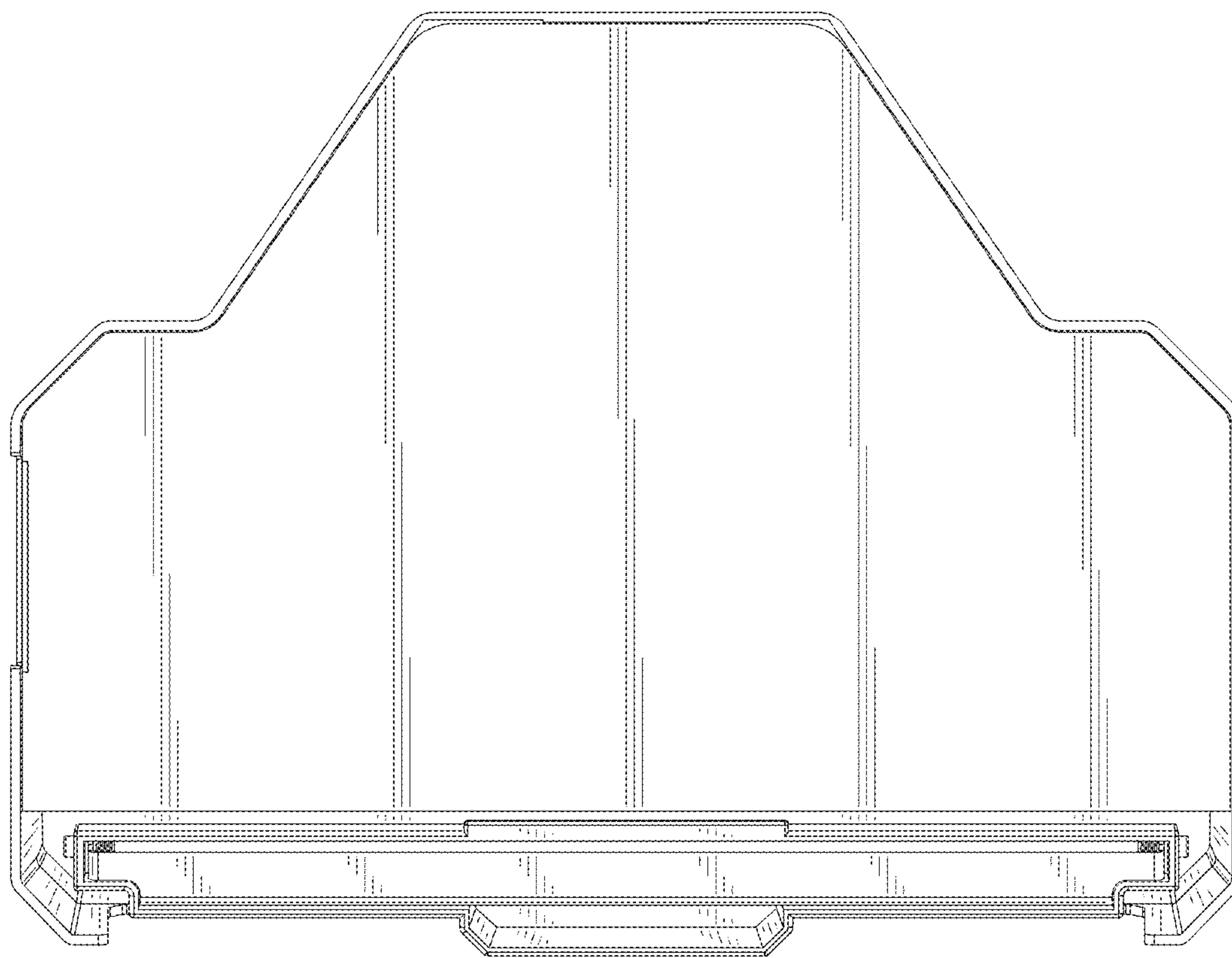


FIG. 7

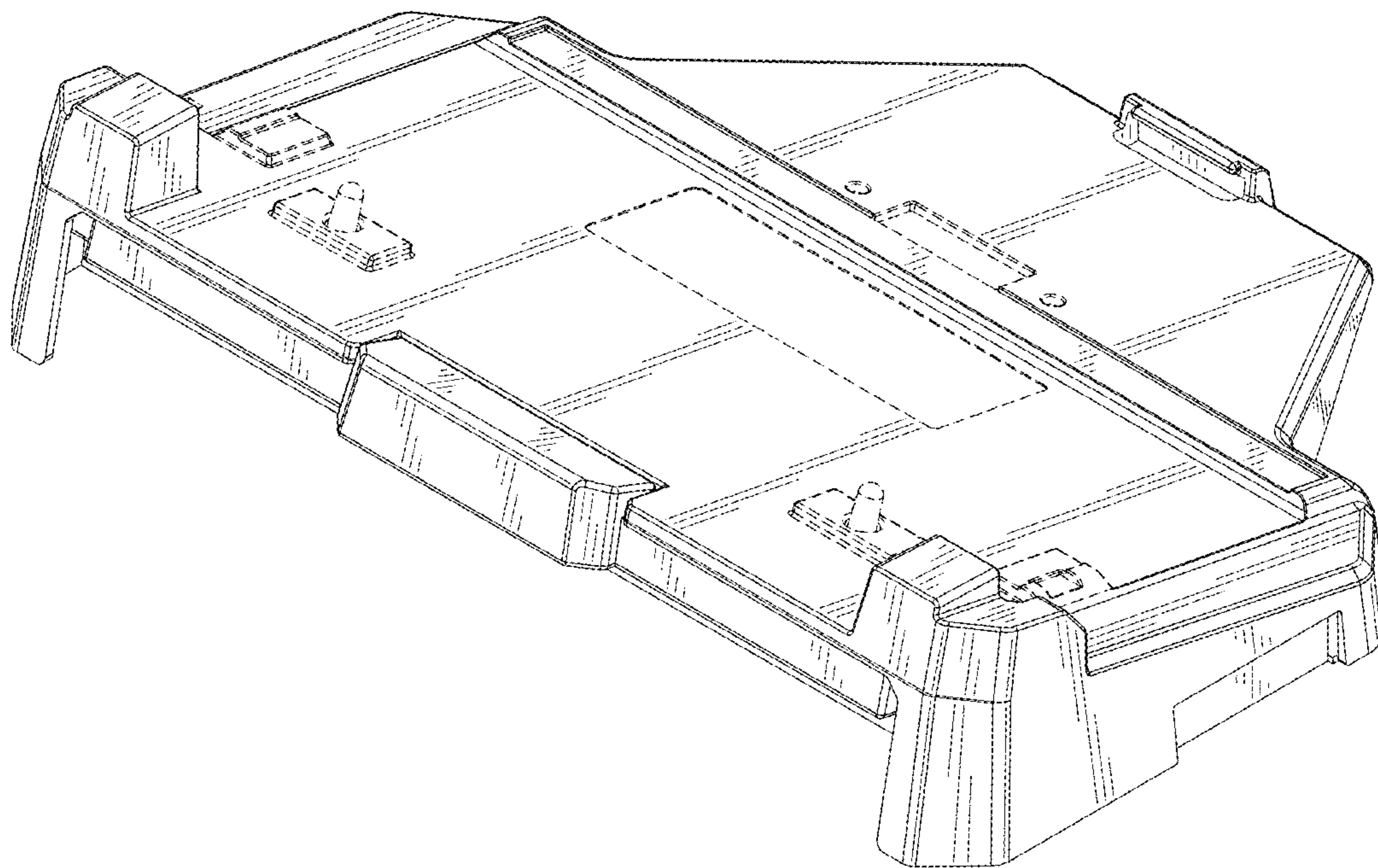


FIG. 8



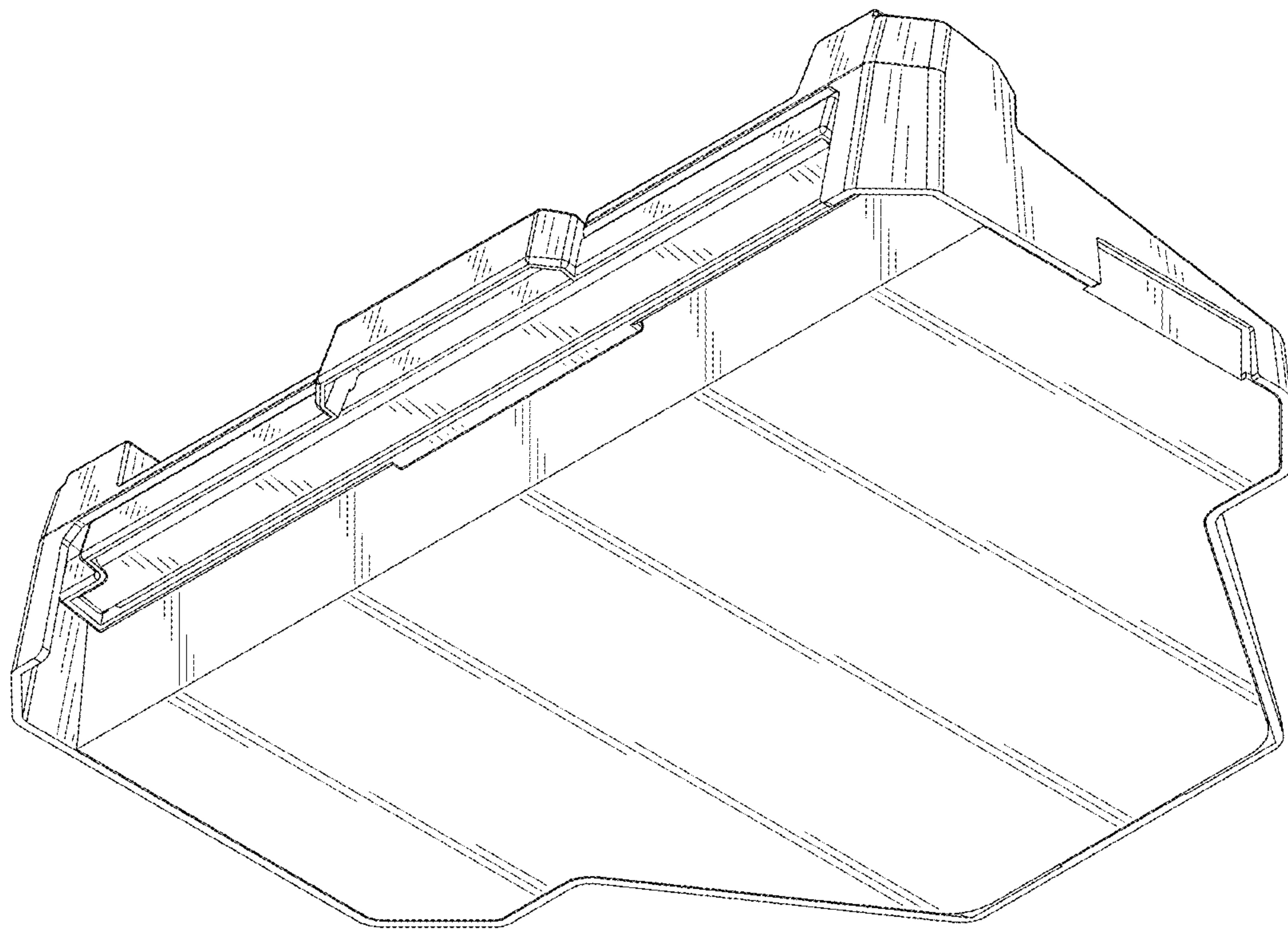


FIG. 9

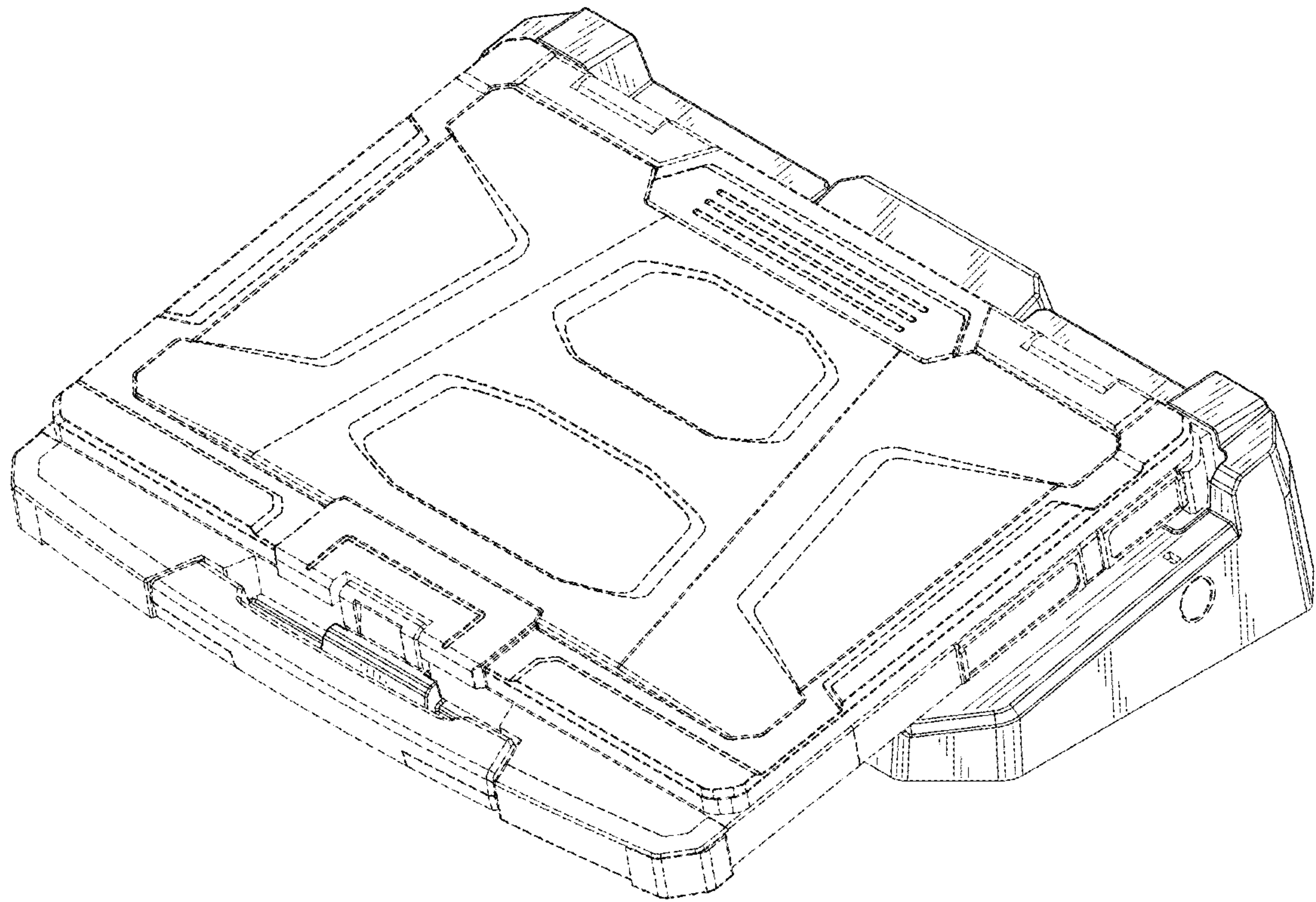


FIG. 10