



US00D954713S

(12) **United States Design Patent**  
**Lin**

(10) **Patent No.:** **US D954,713 S**  
(45) **Date of Patent:** **\*\* Jun. 14, 2022**

(54) **DATA ACCESSING DEVICE**

FOREIGN PATENT DOCUMENTS

(71) Applicant: **Kingston Digital, Inc.**, Fountain Valley, CA (US)

CN 305610864 2/2020  
TW D176647 6/2016

(72) Inventor: **Yi-Ting Lin**, Hsinchu (TW)

OTHER PUBLICATIONS

(73) Assignee: **Kingston Digital, Inc.**, Fountain Valley, CA (US)

Office Action to the corresponding Taiwan Patent Application rendered on Dec. 7, 2020, 3 pages.

(\*\*) Term: **15 Years**

*Primary Examiner* — Austin Murphy

(21) Appl. No.: **29/749,481**

(74) *Attorney, Agent, or Firm* — Skaar Ulbrich Macari, P.A.

(22) Filed: **Sep. 4, 2020**

(51) **LOC (13) Cl.** ..... **14-02**

(57) **CLAIM**

(52) **U.S. Cl.**

I claim the ornamental design for a data accessing device, as shown and described.

USPC ..... **D14/433**

(58) **Field of Classification Search**

**DESCRIPTION**

USPC ..... D14/240, 242, 356, 358, 363, 365, 367,  
D14/370, 432-437, 439, 498, 125, 366,  
D14/168, 496; D13/147, 164, 123, 133,  
D13/146, 110, 199, 103, 162, 159, 160,  
D13/184; 361/683, 684, 686, 724, 735,  
361/737, 752; D18/40  
CPC .... H01R 25/006; H01R 27/02; H01R 31/005;  
G06F 13/4022; G06F 13/382; G06F  
1/1632; G06F 1/1684; G06F 1/20; G06F  
1/1607

FIG. 1 is a left top perspective view of a data accessing device showing the claimed design;  
FIG. 2 is left bottom perspective view thereof;  
FIG. 3 is a front elevational view of thereof;  
FIG. 4 is a rear elevational view of thereof;  
FIG. 5 is a left side elevational view of thereof;  
FIG. 6 is a right side elevational view of thereof;  
FIG. 7 is a top plan view of thereof;  
FIG. 8 is a bottom plan view of thereof;  
FIG. 9 is a left top perspective view thereof, showing the device in a usage state;  
FIG. 10 is a left bottom perspective view of FIG. 9;  
FIG. 11 is a front elevational view of FIG. 9;  
FIG. 12 is a rear elevational view of FIG. 9;  
FIG. 13 is a left side elevational view of FIG. 9;  
FIG. 14 is a right side elevational view of FIG. 9;  
FIG. 15 is a top plan view of FIG. 9; and,  
FIG. 16 is a bottom plan view of FIG. 9.  
The broken lines show portions of the data accessing device that form no part of the claimed design.

See application file for complete search history.

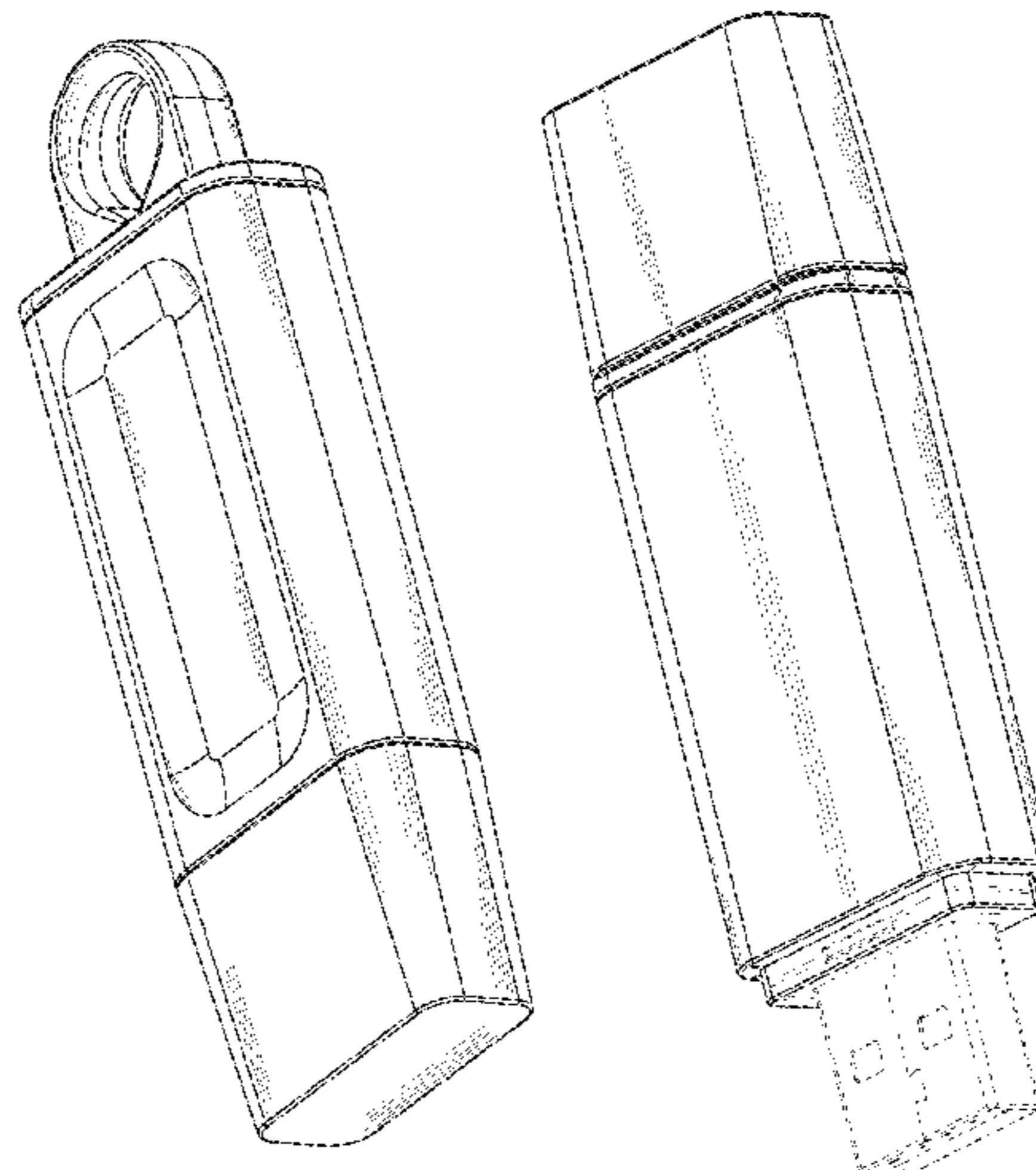
(56) **References Cited**

U.S. PATENT DOCUMENTS

D312,446 S \* 11/1990 DeLeo ..... D13/133  
D711,891 S \* 8/2014 Emami ..... D14/480.5  
D717,747 S \* 11/2014 Nishimoto ..... D14/125  
D757,734 S \* 5/2016 Emami ..... D14/480.7  
D759,028 S \* 6/2016 Emami ..... D14/480.1  
D786,264 S \* 5/2017 Lin ..... D14/480.1  
D816,025 S \* 4/2018 Thompson ..... D27/194  
D842,307 S \* 3/2019 Lin ..... D14/480.5  
D864,213 S \* 10/2019 Yang ..... D14/480.5  
D897,950 S \* 10/2020 Bailey ..... D27/194  
D915,408 S \* 4/2021 Zhang ..... D14/433

(Continued)

**1 Claim, 16 Drawing Sheets**



(56)

**References Cited**

U.S. PATENT DOCUMENTS

D921,635 S \* 6/2021 Wu ..... D14/433  
D946,529 S \* 3/2022 Tsuda ..... D13/133

\* cited by examiner

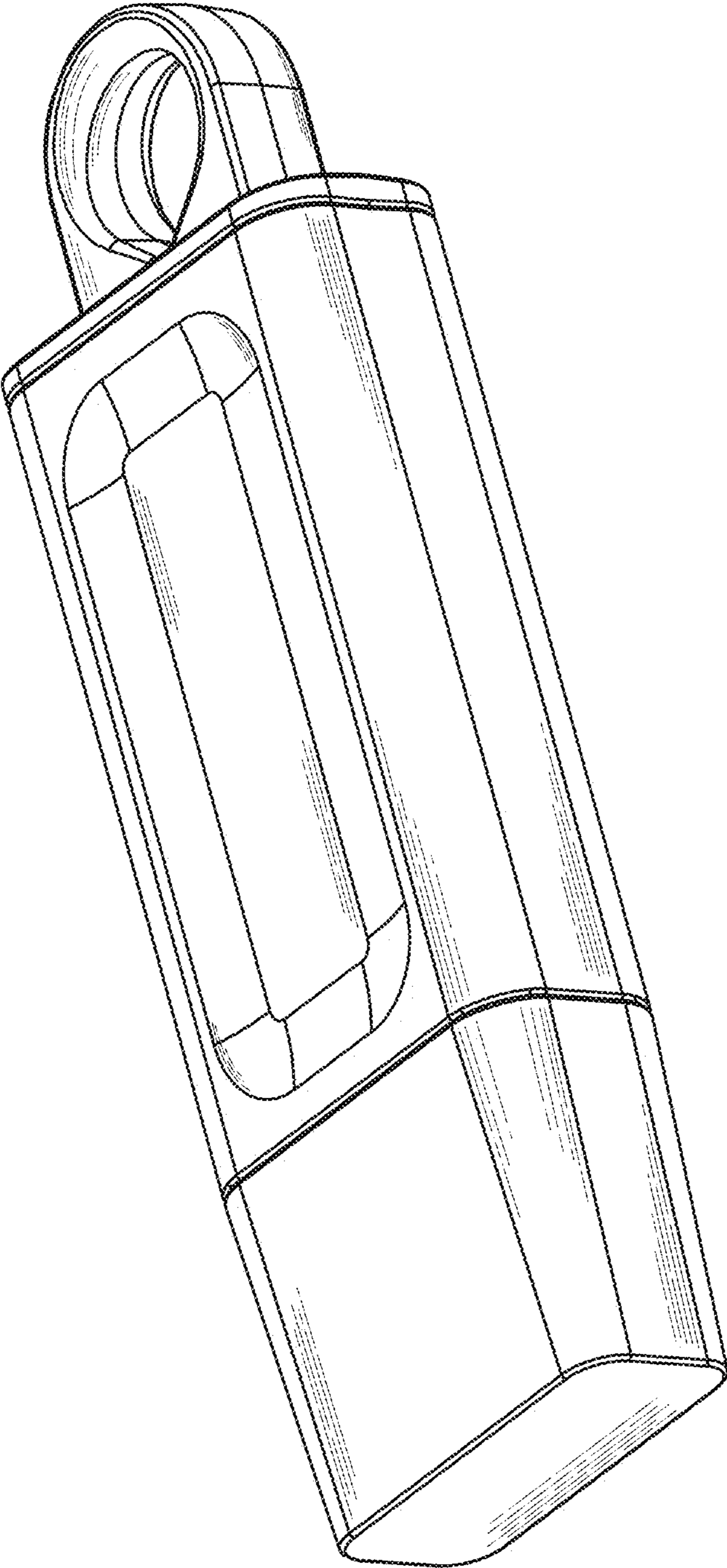


FIG. 1

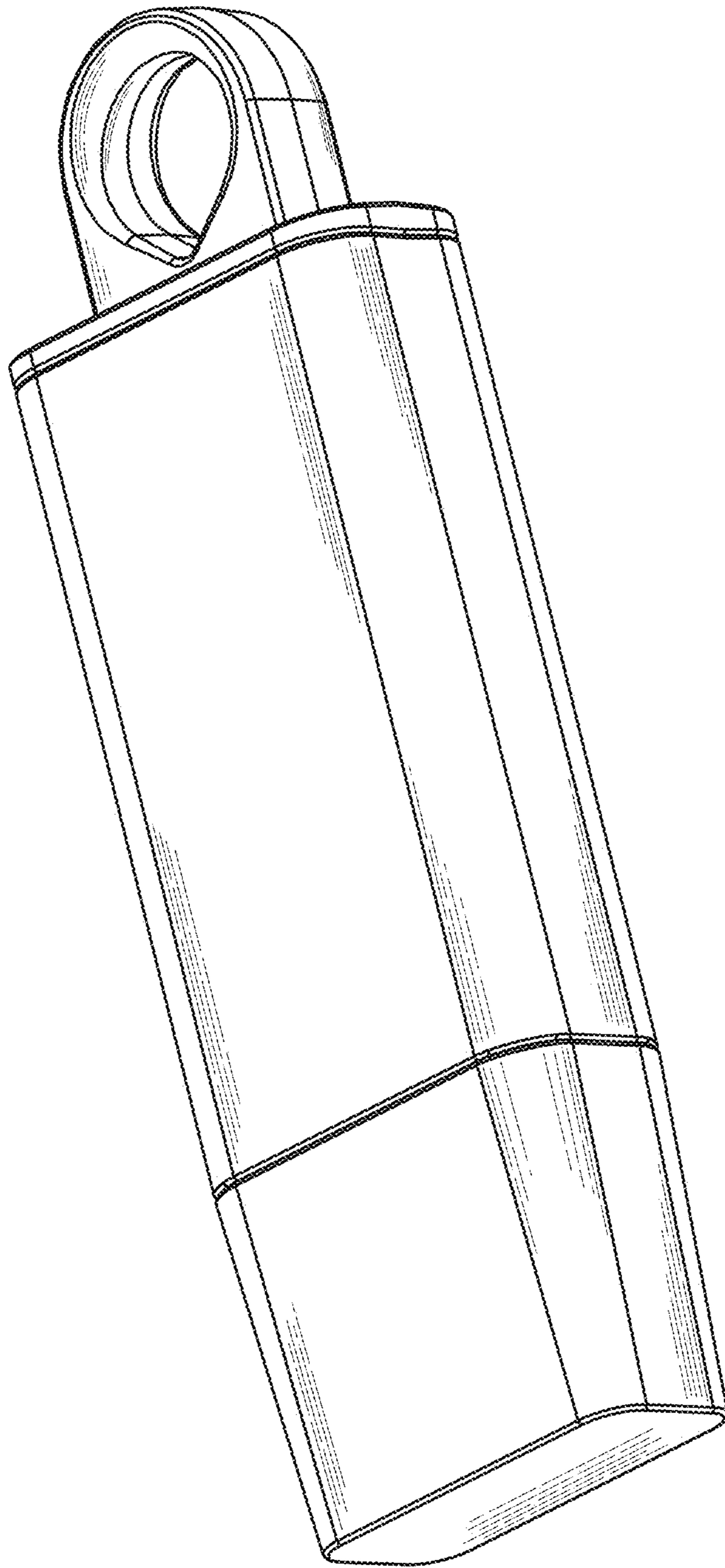


FIG. 2

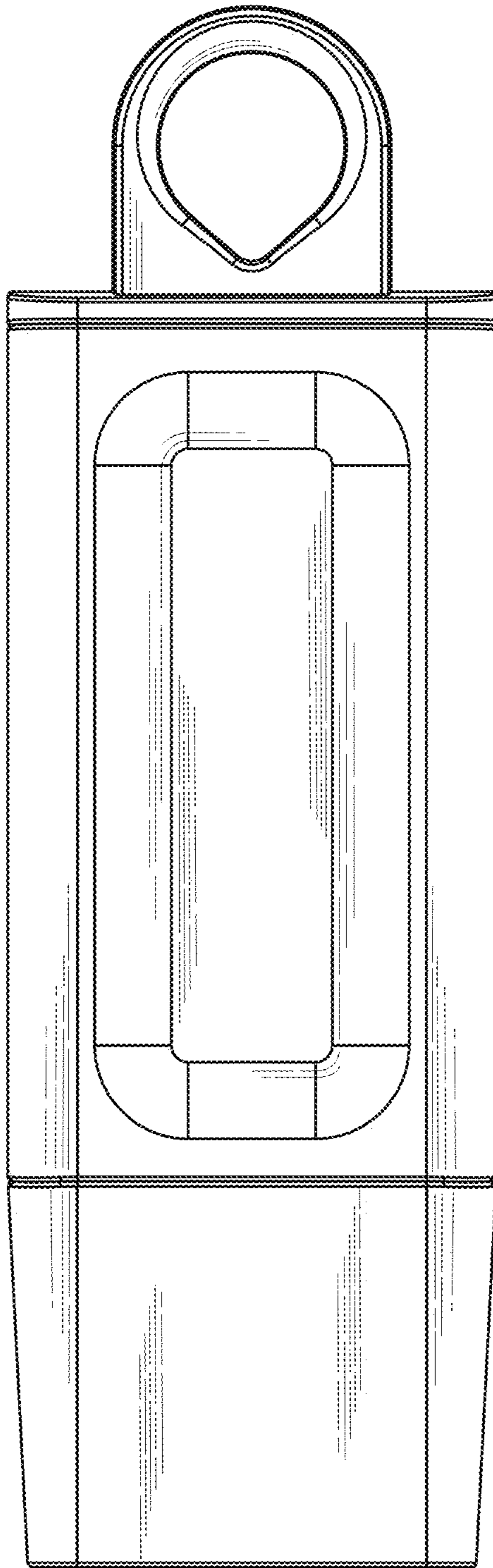


FIG. 3

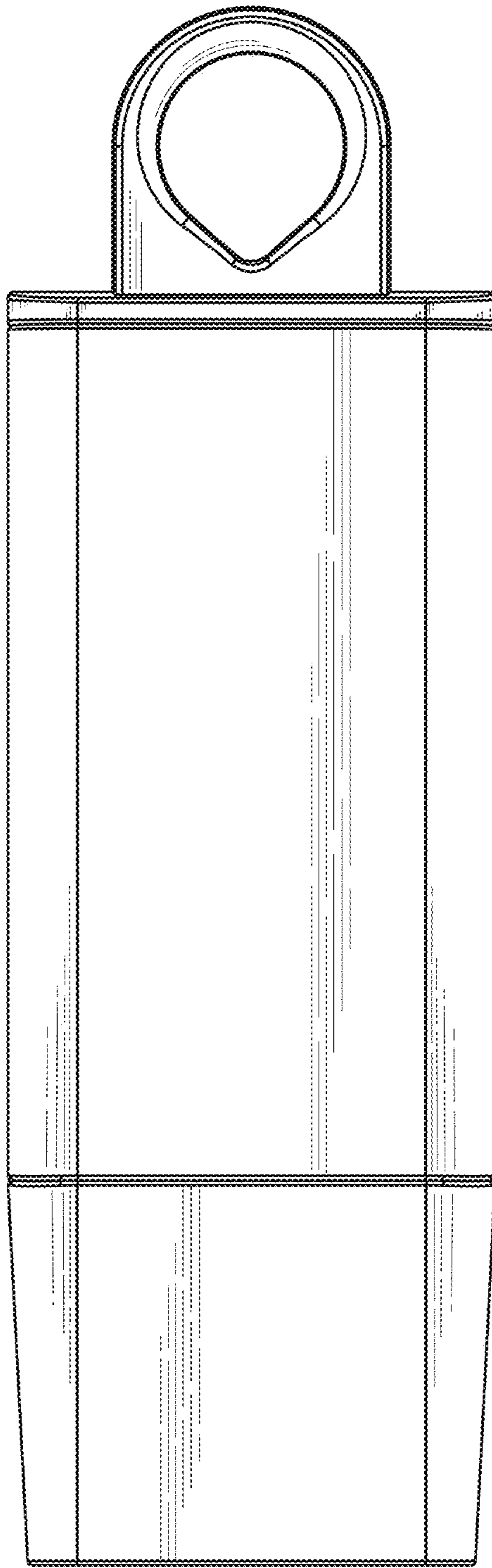


FIG. 4



FIG. 5

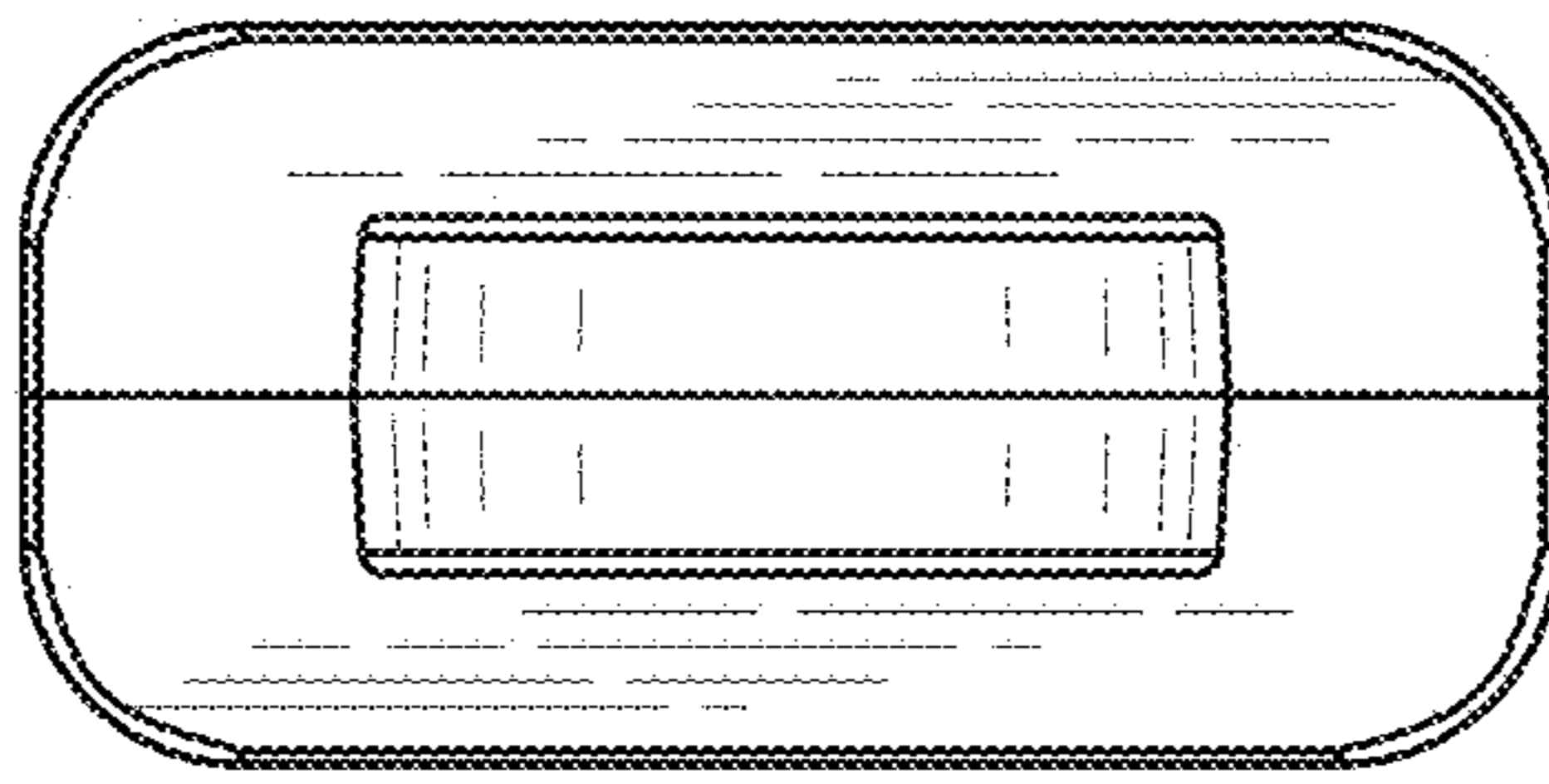


FIG. 6



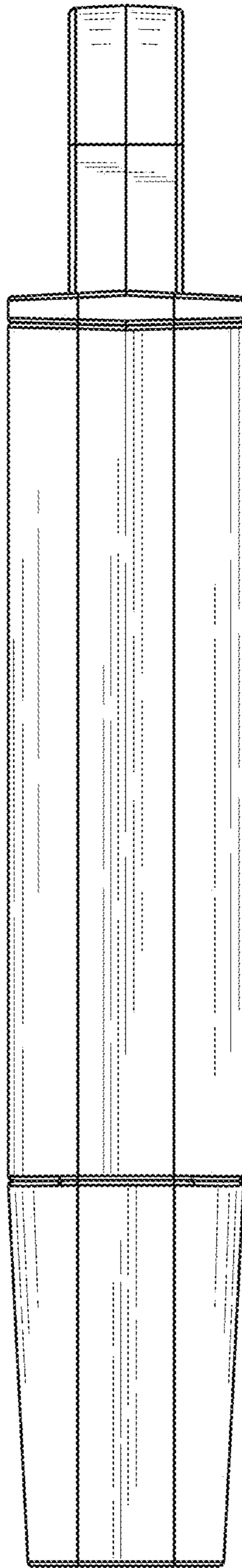


FIG. 7

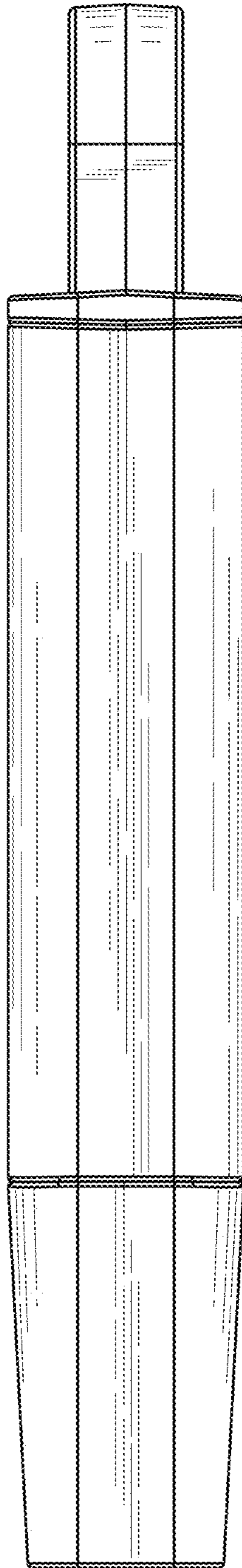


FIG. 8

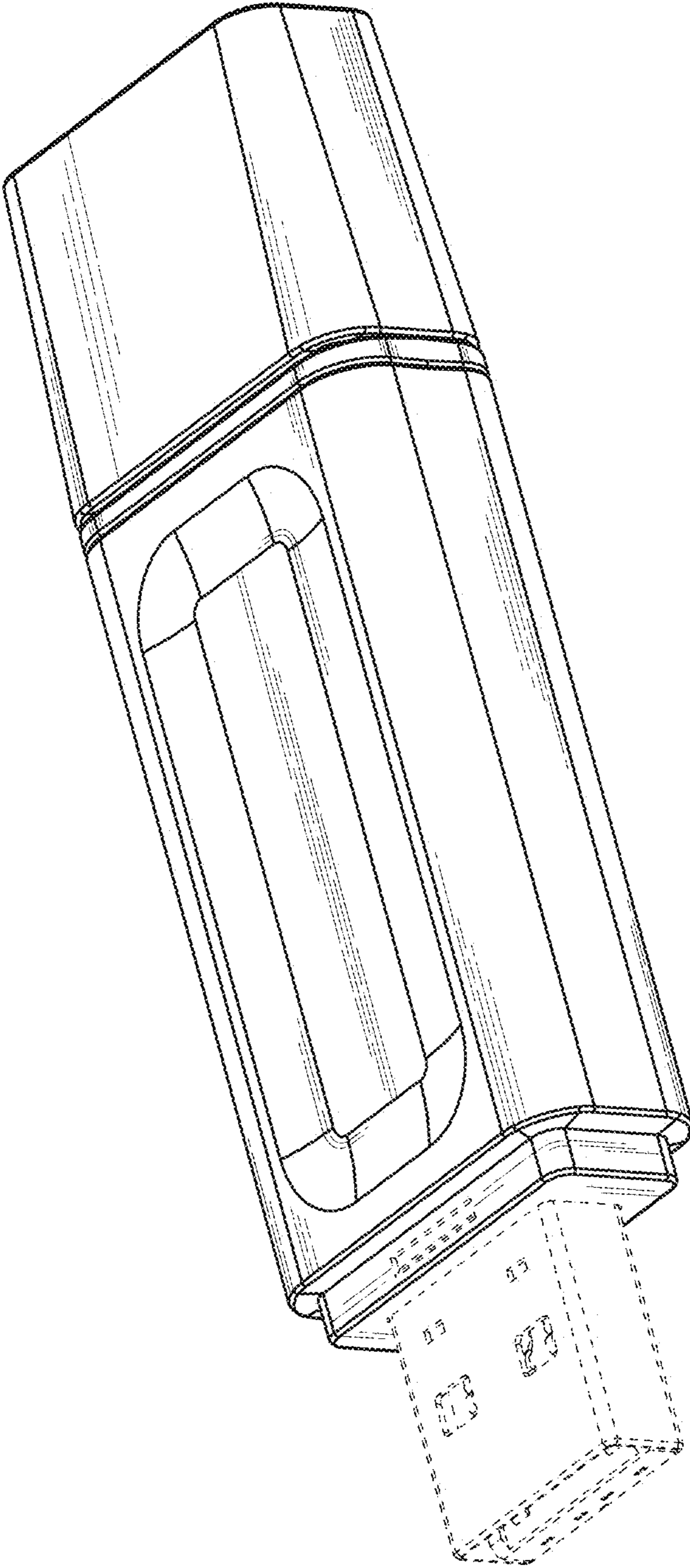


FIG. 9

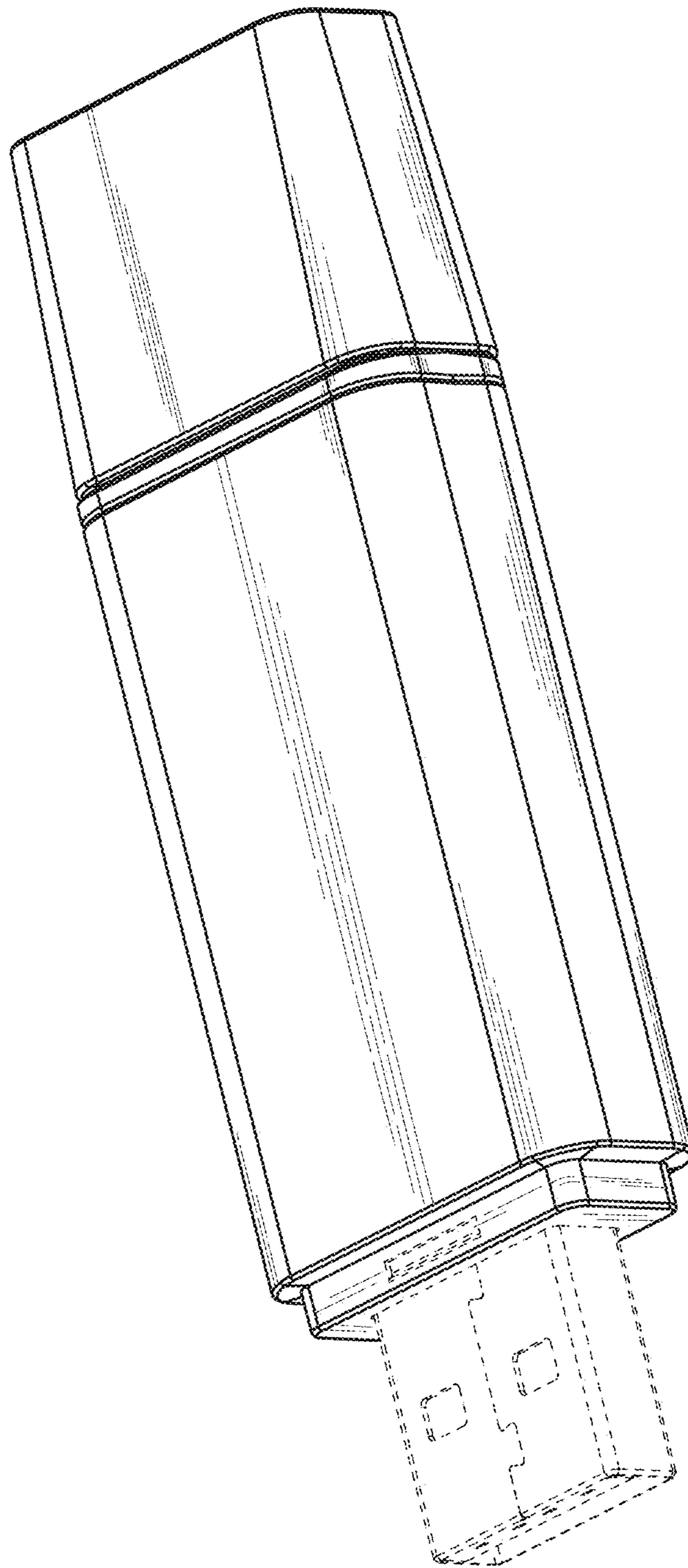


FIG. 10

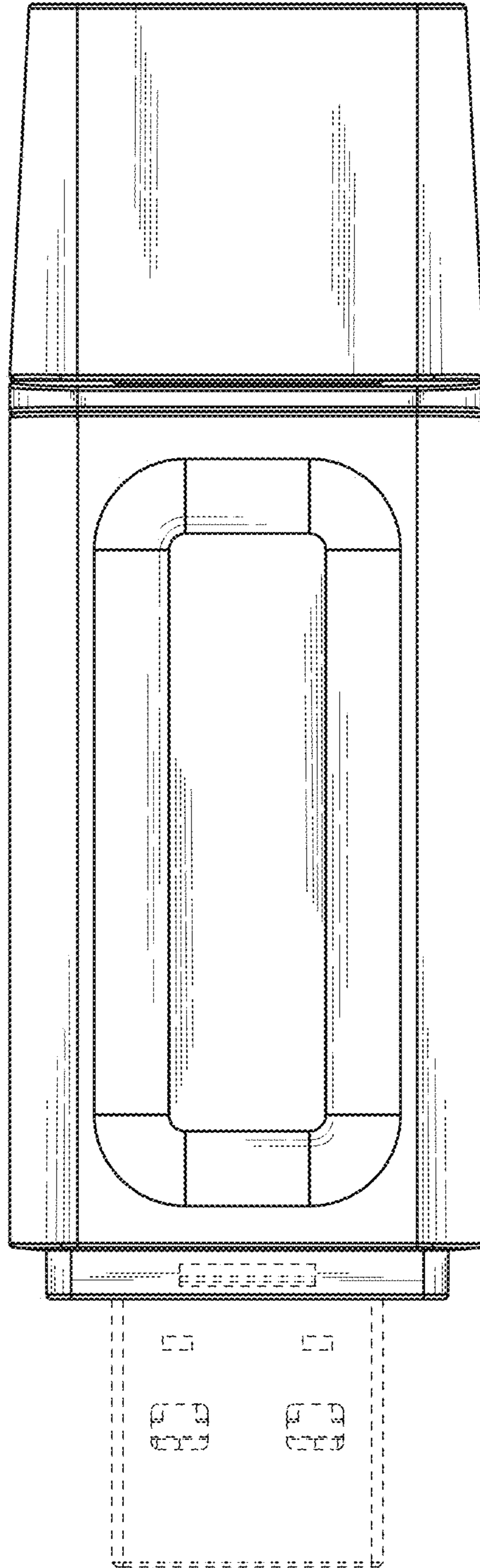


FIG. 11

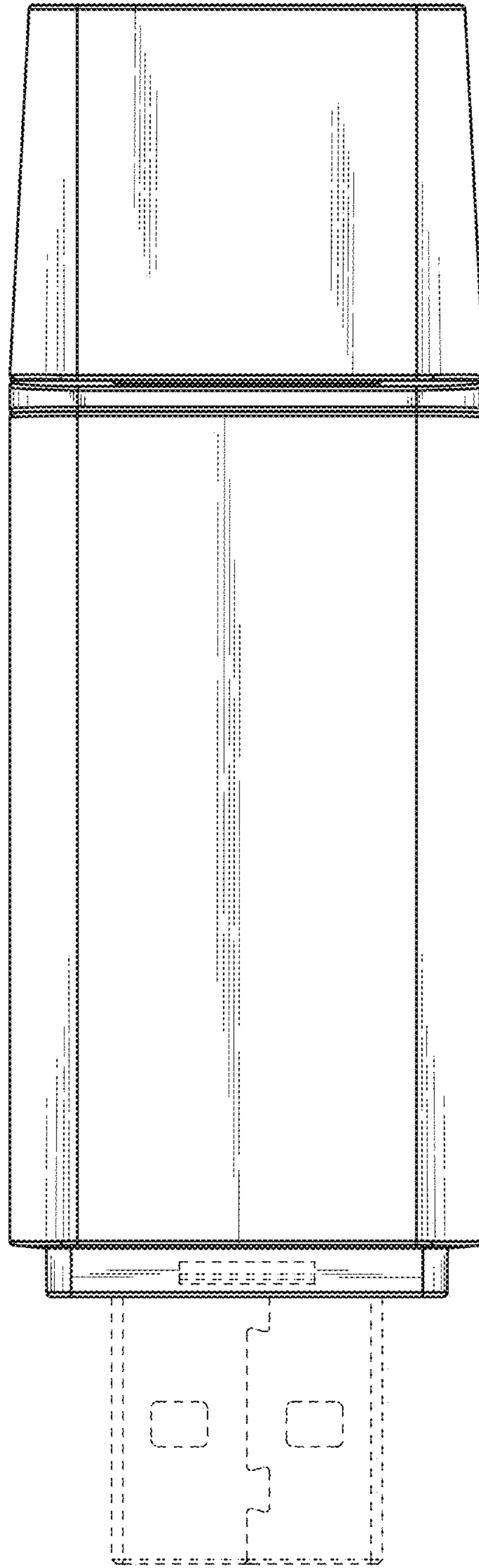


FIG. 12

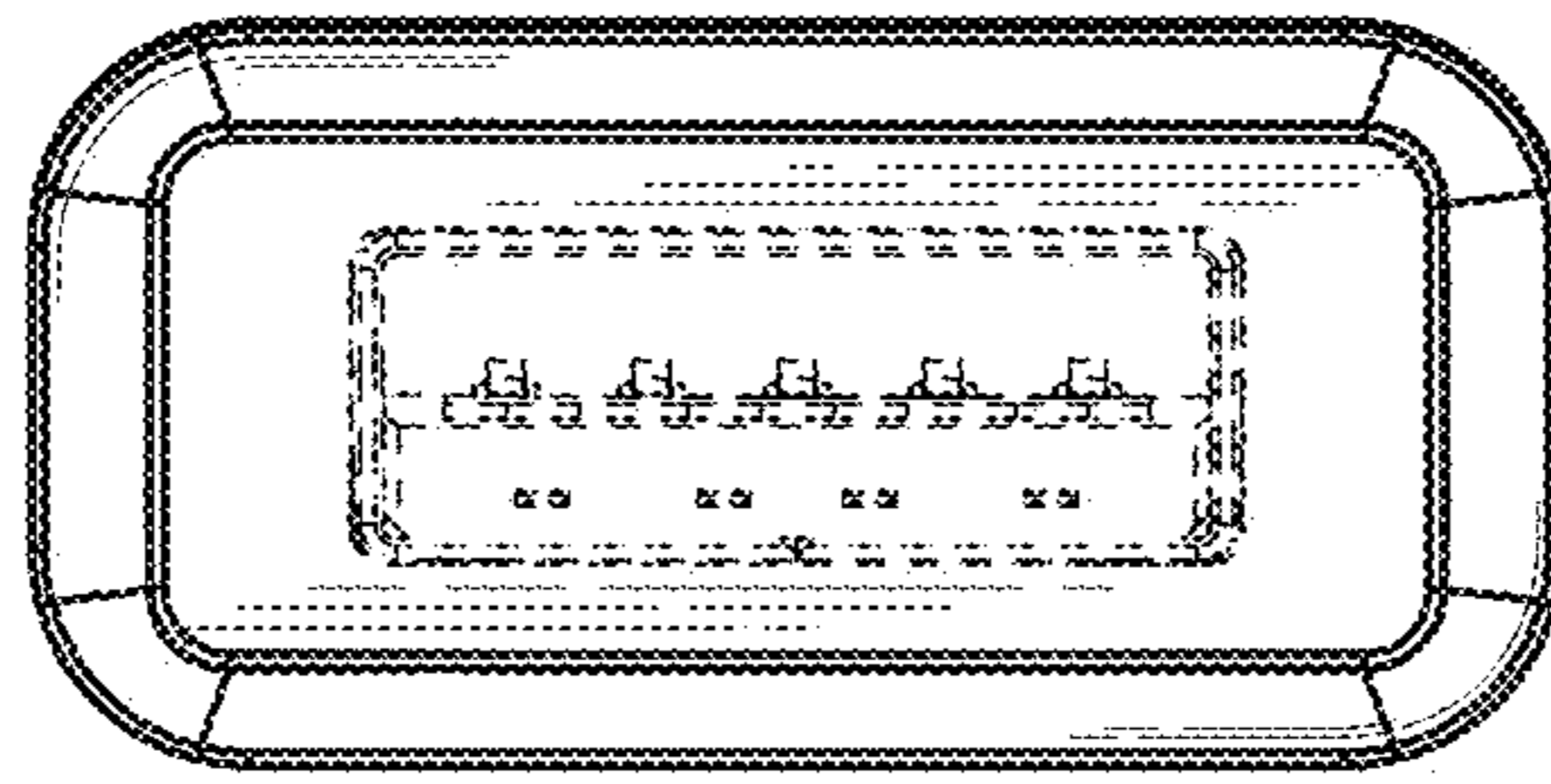


FIG. 13



FIG. 14



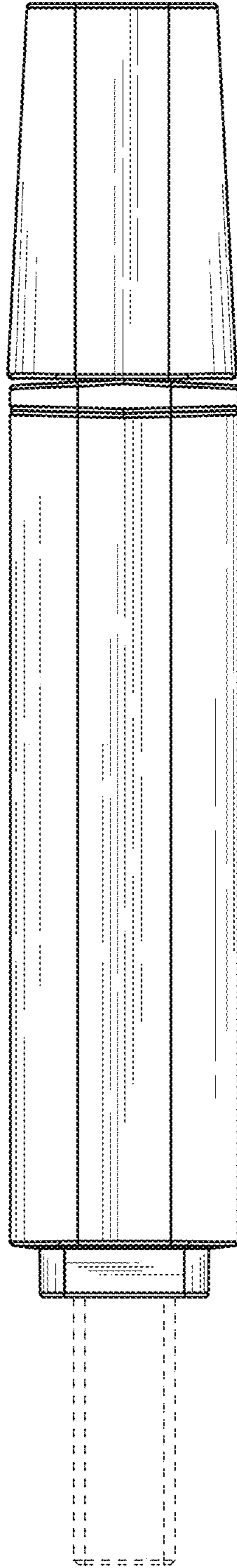


FIG. 15

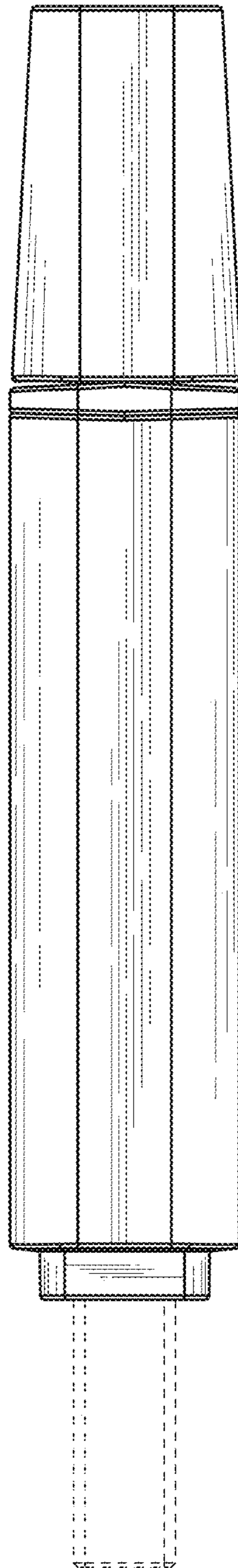


FIG. 16