

US00D954711S

(12) **United States Design Patent**  
**Monti et al.**

(10) **Patent No.:** **US D954,711 S**  
(45) **Date of Patent:** **\*\* Jun. 14, 2022**

(54) **CORDLESS BLASTER DEVICE**  
(71) Applicant: **STRIKERV INC.**, New Orleans, LA (US)  
(72) Inventors: **Kyle Monti**, Luling, LA (US); **Martin Holly**, New Orleans, LA (US); **Conrad Rolling**, New Orleans, LA (US)  
(73) Assignee: **STRIKERV, INC.**, New Orleans, LA (US)  
(\*\*) Term: **15 Years**

D730,999 S \* 6/2015 Stevens ..... D21/573  
D740,908 S \* 10/2015 Tresserras Torre ..... D22/108  
D745,103 S \* 12/2015 Corsi ..... D22/103  
D750,722 S \* 3/2016 Young ..... D22/103  
D762,277 S \* 7/2016 Juarez ..... D22/108  
D766,381 S \* 9/2016 Crye ..... D21/573  
D779,012 S \* 2/2017 Abbott ..... D22/103  
D787,619 S \* 5/2017 Young ..... D22/103  
9,784,524 B1 \* 10/2017 Ma ..... F41B 11/55  
D814,591 S \* 4/2018 Koçgür ..... D22/103  
D814,598 S \* 4/2018 Monti ..... D22/108  
D826,204 S \* 8/2018 OZkaner ..... D22/103  
D834,132 S \* 11/2018 DeMonico ..... D22/108  
D847,137 S \* 4/2019 Monti ..... D21/333

(Continued)

(21) Appl. No.: **29/770,273**  
(22) Filed: **Feb. 10, 2021**  
(51) **LOC (13) Cl.** ..... **21-01**  
(52) **U.S. Cl.**  
USPC ..... **D14/418**; D21/333; D21/574; D22/103  
(58) **Field of Classification Search**  
USPC .... D14/400–418, 426–431, 454–455, 203.2,  
D14/218, 300, 356, 383, 388, 399, 432,  
D14/358; D21/333, 331, 566, 572–574,  
D21/324, 328; D22/100, 103–105;  
D13/162, 162.1, 168; D10/78, 98, 103  
CPC .. A63F 9/02; A63F 9/24; A63F 9/0291; A63F  
9/0252; A63F 13/00; A63H 5/04; F41J  
5/02; F41C 23/10; F41C 23/14; F41C  
23/16; F41C 23/18; F41A 5/18; F41A  
5/24; F41A 21/28  
See application file for complete search history.

*Primary Examiner* — Mark A Goodwin  
(74) *Attorney, Agent, or Firm* — Jason P. Mueller;  
FisherBroyles, LLP

(57) **CLAIM**

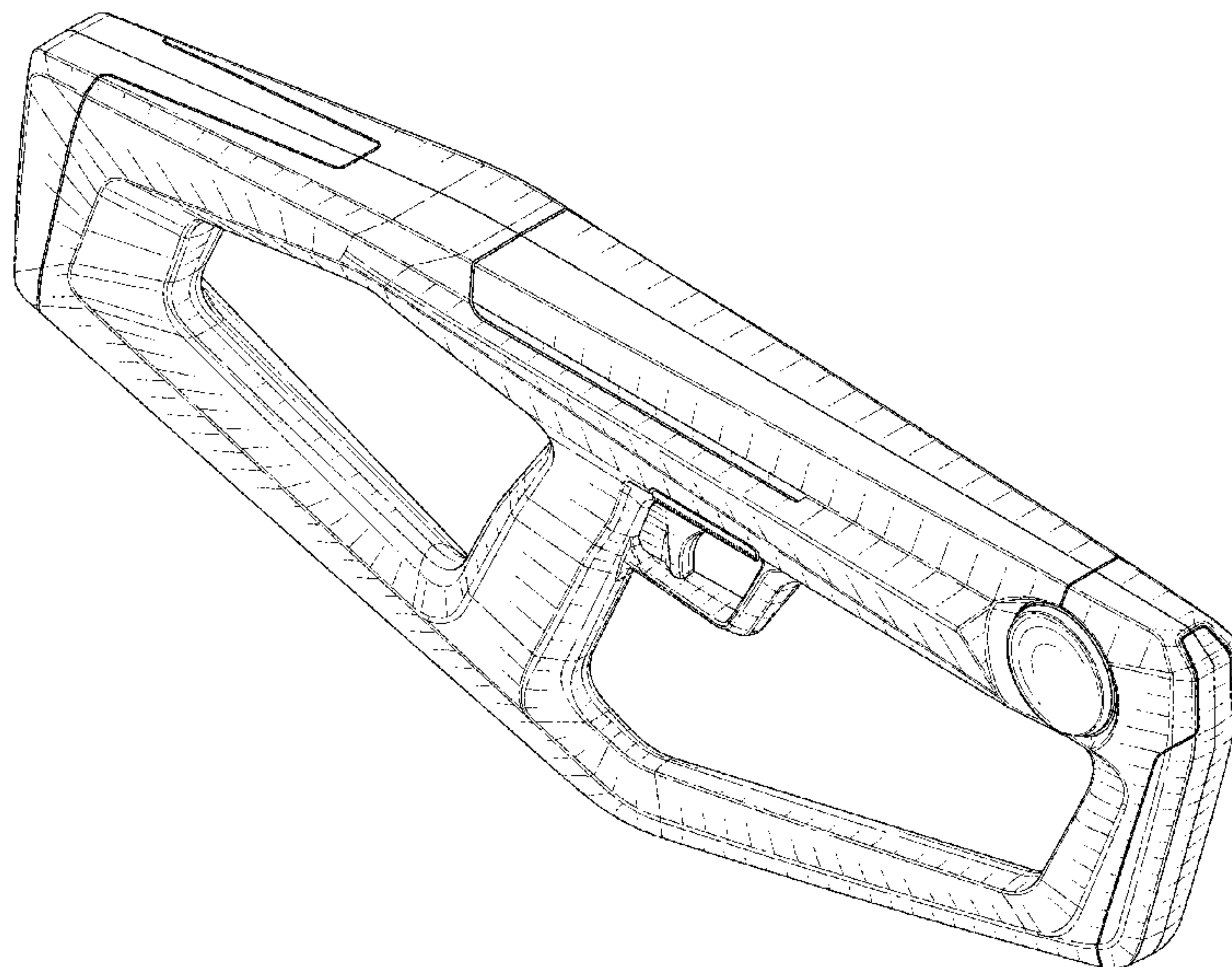
The ornamental design for a cordless blaster device, as shown and described.

**DESCRIPTION**

FIG. 1 is a top perspective view of a cordless blaster device showing our new design;  
FIG. 2 is a front view thereof;  
FIG. 3 is a back view thereof, taken at a 180-degree rotation from the front view shown in FIG. 2;  
FIG. 4 is a side view thereof  
FIG. 5 is a side view thereof, taken at a 180-degree rotation from the side view shown in FIG. 4;  
FIG. 6 is a top view thereof;  
FIG. 7 is a bottom view thereof;  
FIG. 8 is a side view thereof, shown with a controller mounted to the top of the device; and,  
FIG. 9 is an exploded side view thereof, shown with the removable top cover separated from the body of the device. The dotted lines are for purposes of illustration and do not constitute part of the claimed design.

**1 Claim, 7 Drawing Sheets**

(56) **References Cited**  
U.S. PATENT DOCUMENTS  
D622,802 S \* 8/2010 Fitzpatrick ..... D22/104  
D693,420 S \* 11/2013 Abbott ..... D22/103  
D715,882 S \* 10/2014 Jonker ..... D22/103  
D723,128 S \* 2/2015 Hu ..... D22/103  
D729,880 S \* 5/2015 Nichols ..... D21/573



(56)

**References Cited**

U.S. PATENT DOCUMENTS

D873,368 S *	1/2020	Morrow .....	D22/103
D877,281 S *	3/2020	Jones .....	D22/108
D888,872 S *	6/2020	Pedersen .....	D22/108
D905,062 S *	12/2020	Fuchs .....	D21/333
D905,692 S *	12/2020	Fuchs .....	D21/333
D915,353 S *	4/2021	Maier .....	D14/218

\* cited by examiner

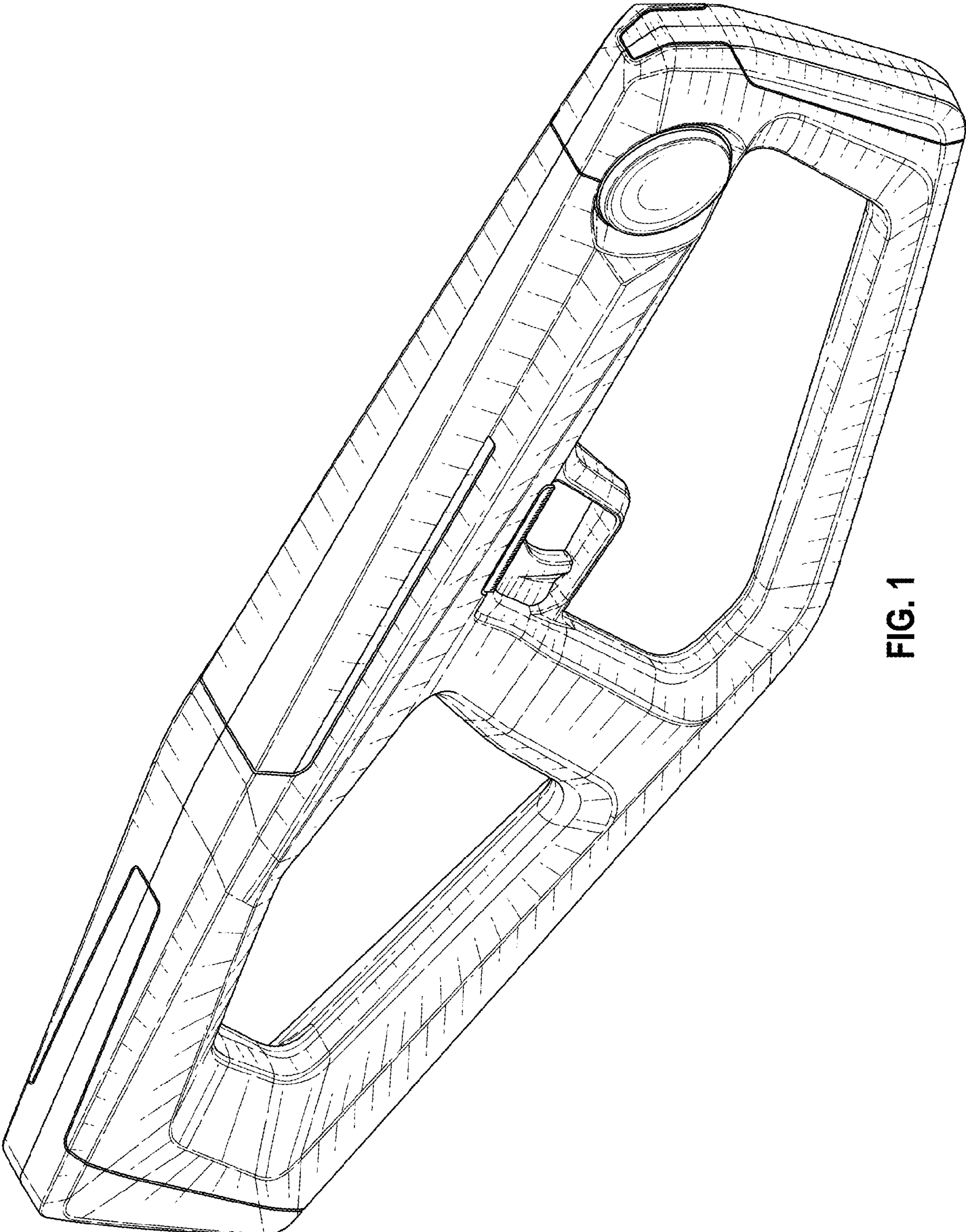


FIG. 1



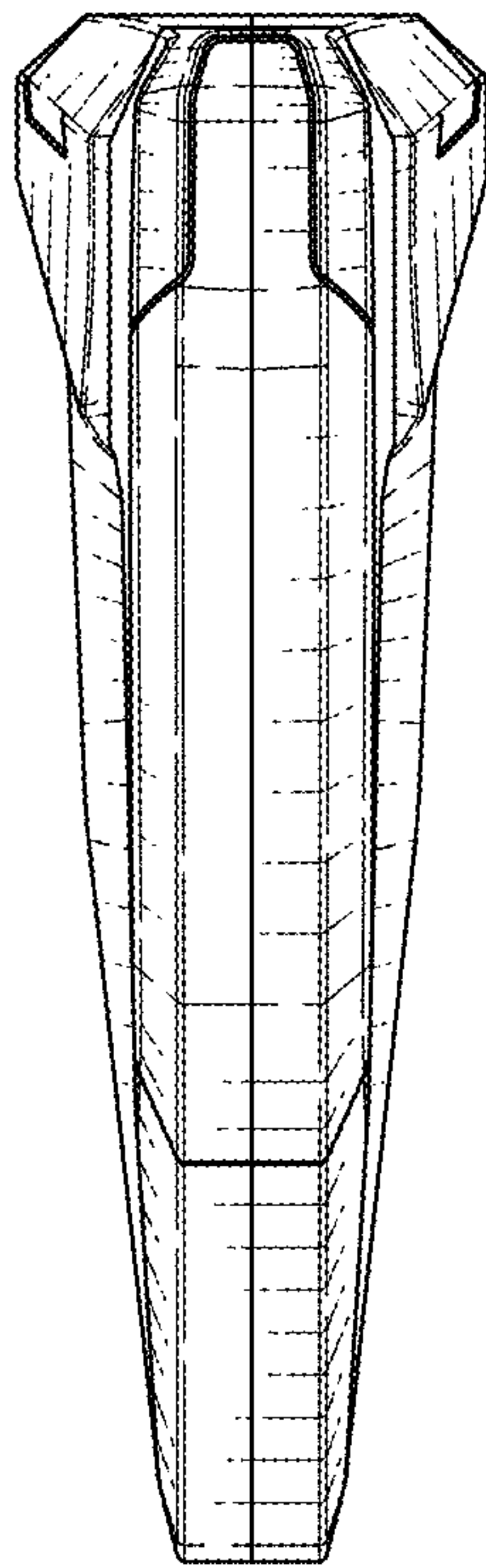


FIG. 2

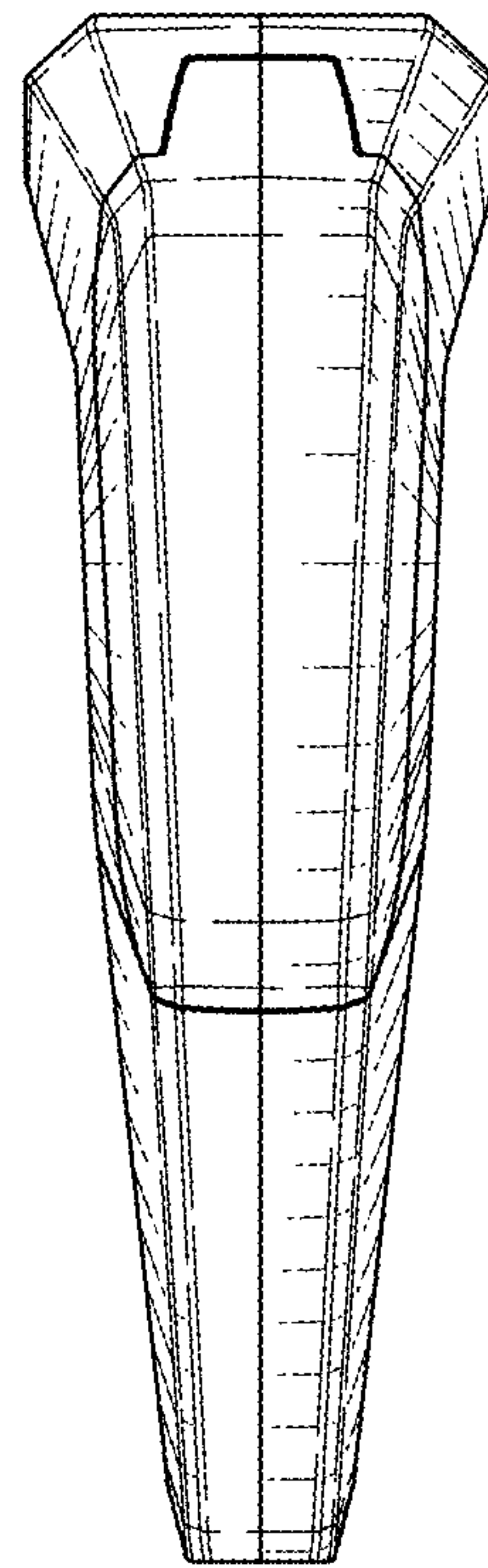


FIG. 3

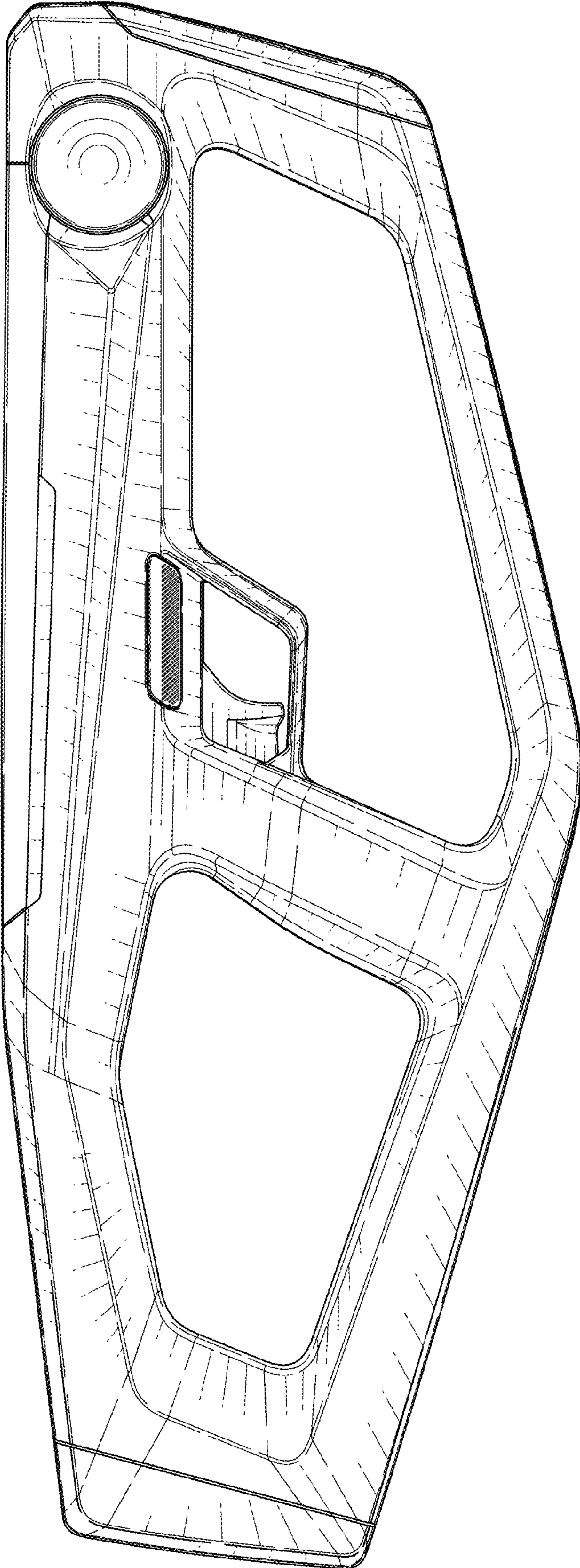


FIG. 4

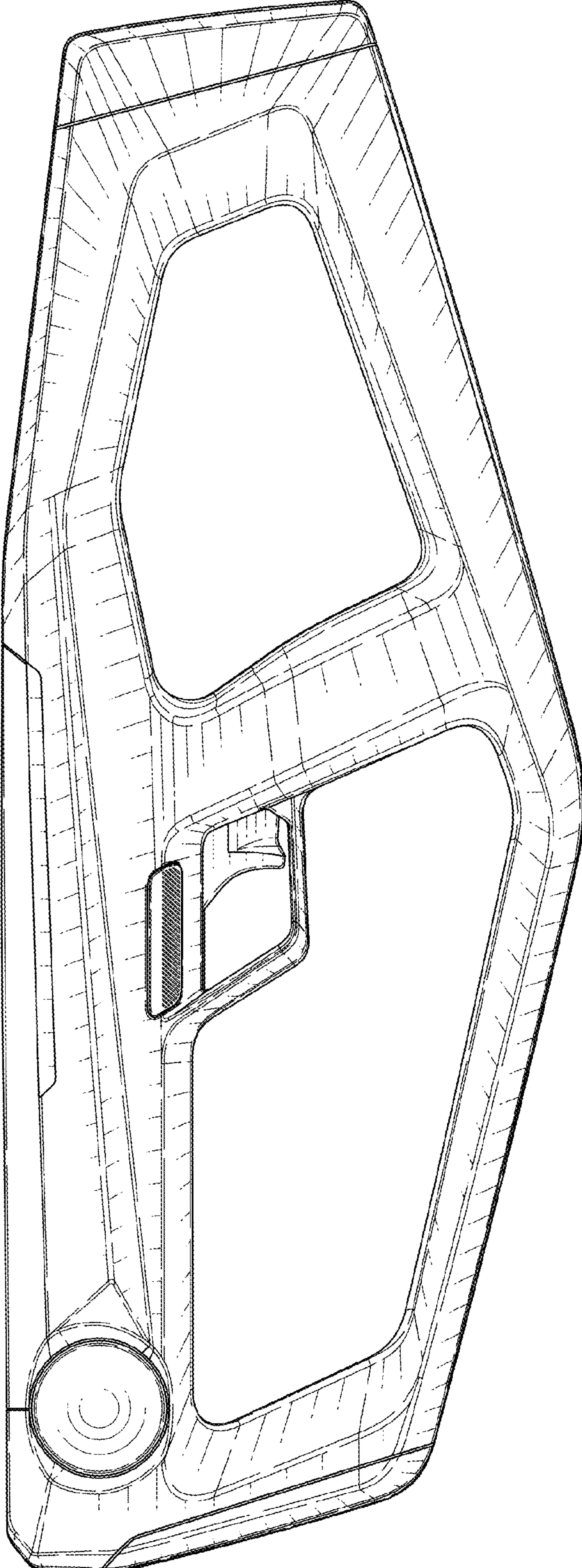


FIG. 5



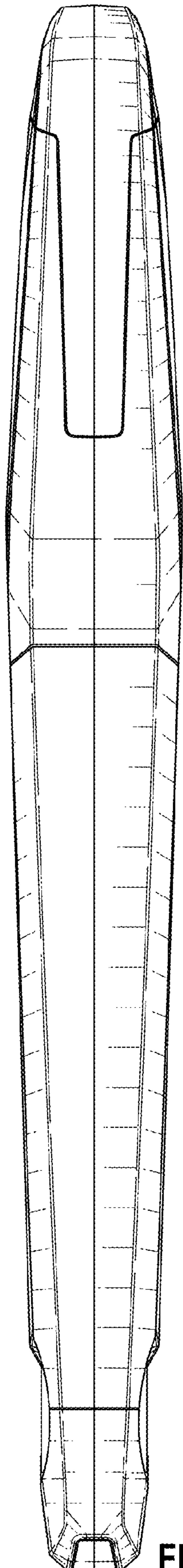


FIG. 6

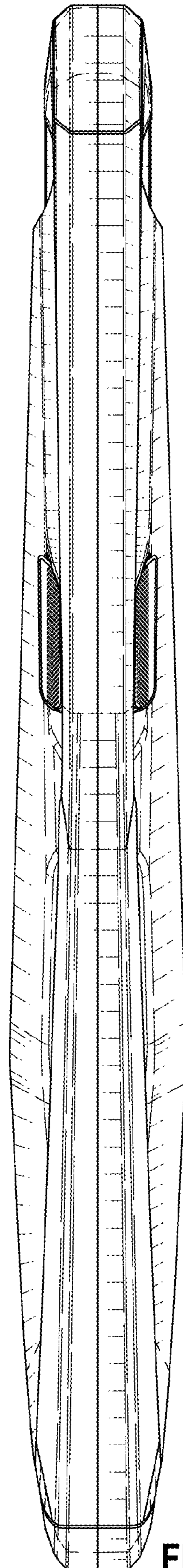


FIG. 7

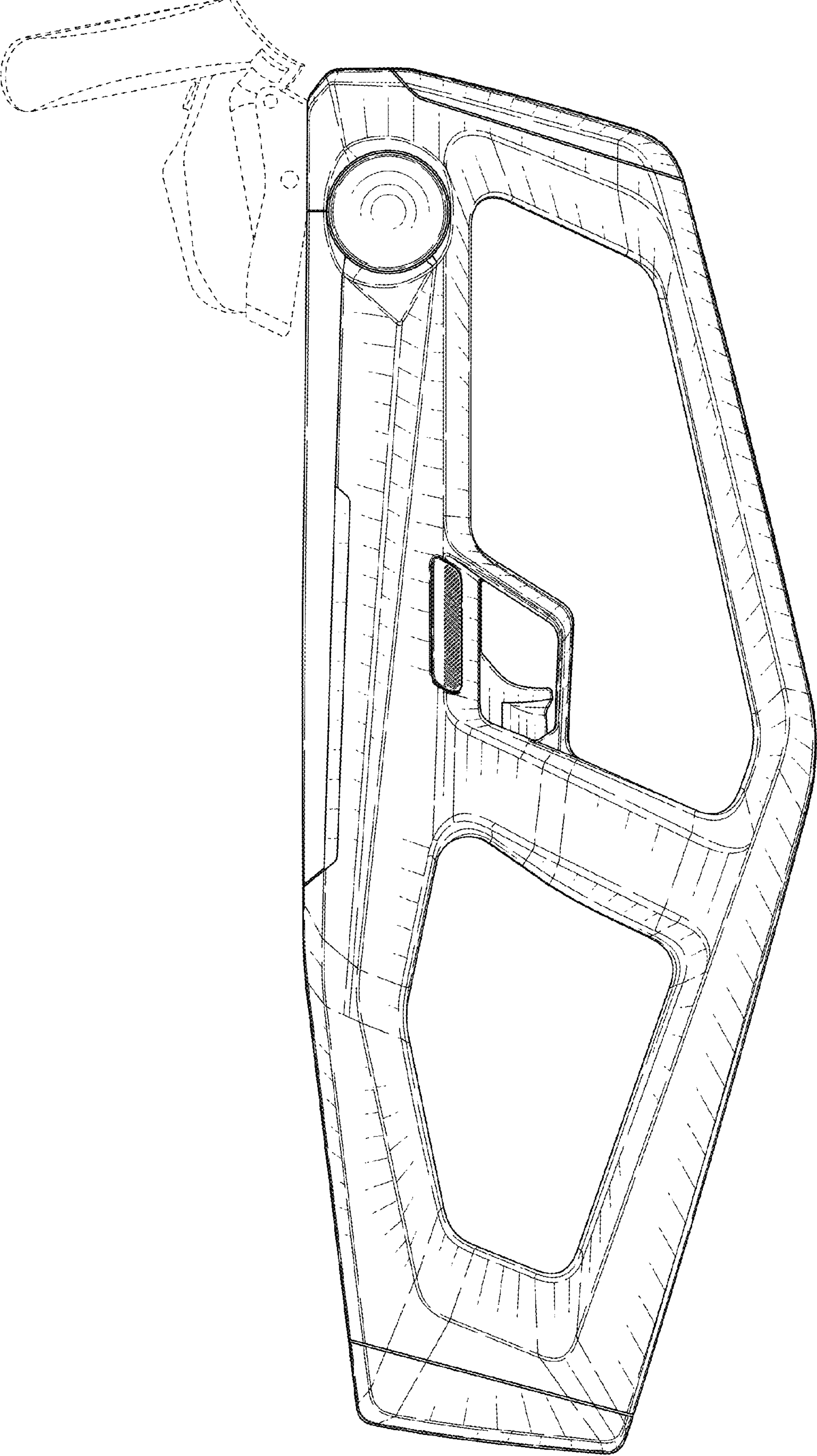


FIG. 8



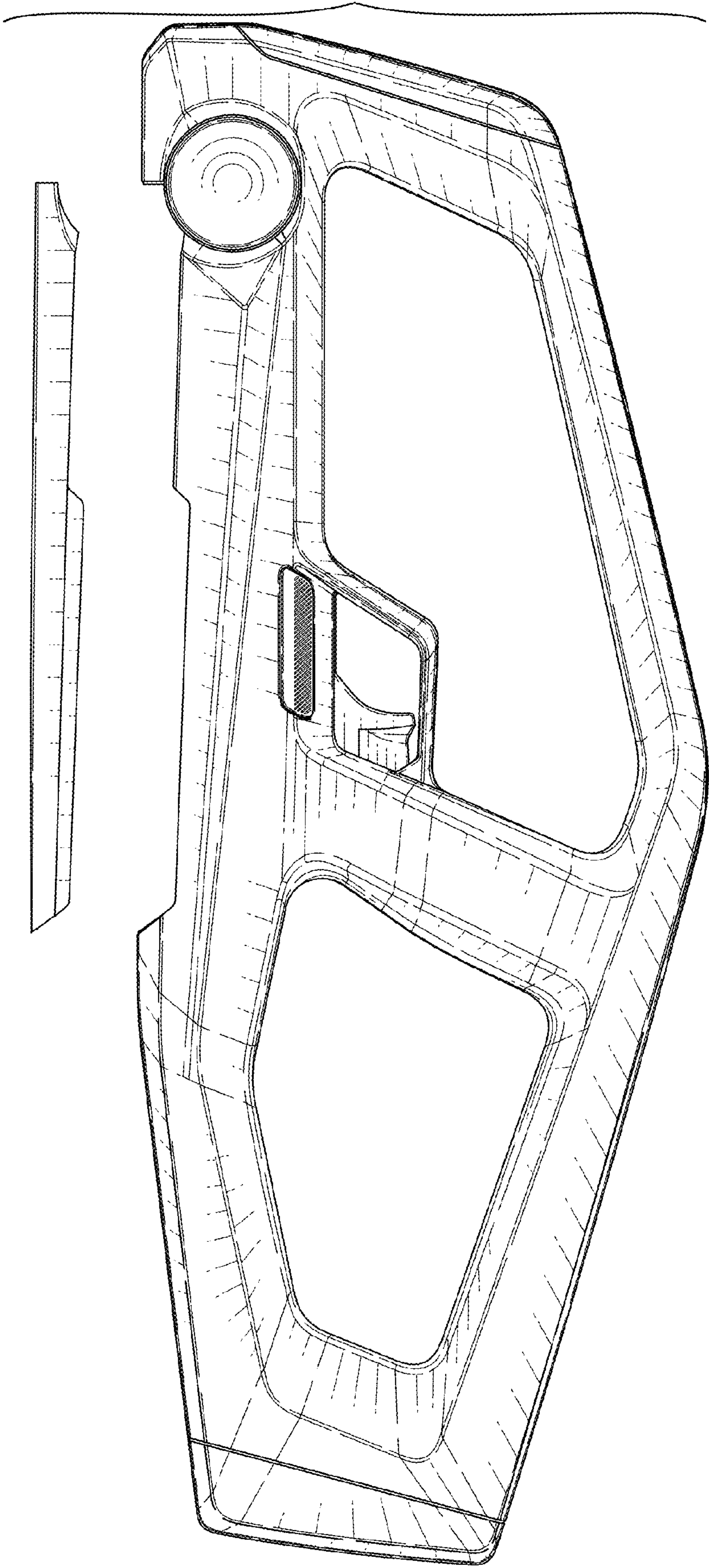


FIG. 9