



US00D954709S

(12) **United States Design Patent**
Ledbetter et al.

(10) **Patent No.:** **US D954,709 S**
(45) **Date of Patent:** **** Jun. 14, 2022**

(54) **ELECTRONIC CONSOLE**

(71) Applicant: **Microsoft Corporation**, Redmond, WA (US)

(72) Inventors: **Carl J. Ledbetter**, Mercer Island, WA (US); **Nicolas A. Denhez**, Seattle, WA (US); **Bryan A. Sparks**, Sammamish, WA (US); **Brett D. Christie**, Seattle, WA (US); **Gregory Jones**, Seattle, WA (US); **Christopher H. Kujawski**, Seattle, WA (US)

(73) Assignee: **Microsoft Corporation**, Redmond, WA (US)

(**) Term: **15 Years**

(21) Appl. No.: **29/692,085**

(22) Filed: **May 22, 2019**

(51) **LOC (13) Cl.** **14-02**

(52) **U.S. Cl.**
USPC **D14/349**

(58) **Field of Classification Search**
USPC D14/140.1, 140.2, 240, 242, 301-302, D14/308, 348-349, 351-359, 440-441,
(Continued)

(56) **References Cited**

U.S. PATENT DOCUMENTS

D224,710 S * 9/1972 Miller D13/163
D234,604 S 3/1975 Shimizu
(Continued)

FOREIGN PATENT DOCUMENTS

CN 303683954 * 5/2016
CN 305938811 * 7/2020

OTHER PUBLICATIONS

Xbox Series X, Microsoft, xbox.com, author and date unlisted © 2020 Microsoft, online, site visited Dec. 21, 2020. Available at

URL: <https://www.xbox.com/en-US/consoles/xbox-series-x> (Year: 2020).*

(Continued)

Primary Examiner — Sandra Snapp
Assistant Examiner — Altaira J Swangin
(74) *Attorney, Agent, or Firm* — Banner & Witcoff, Ltd.

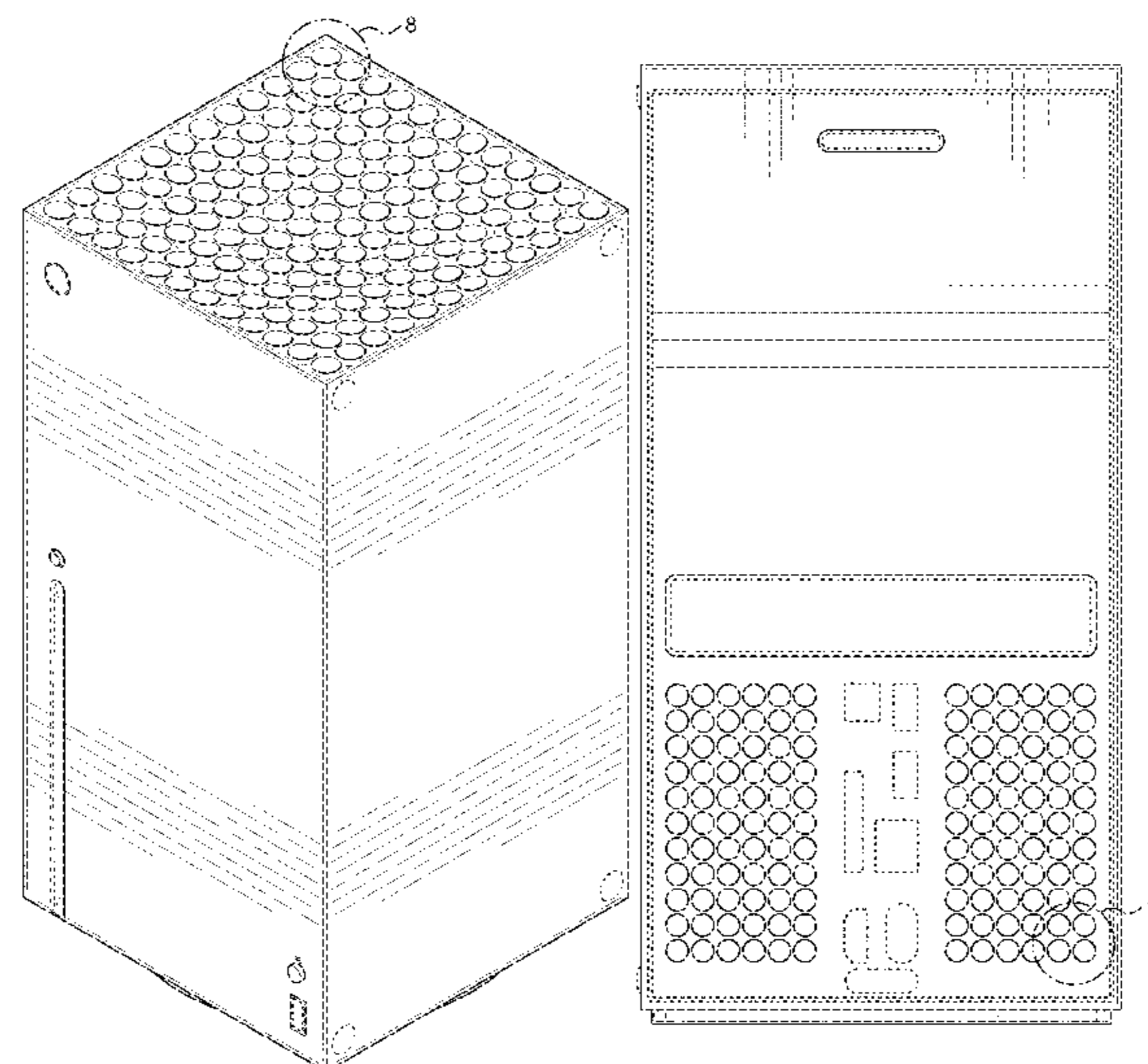
(57) **CLAIM**

The ornamental design for an electronic console, as shown and described.

DESCRIPTION

FIG. 1 is an isometric view of an electronic console showing our new design;
FIG. 2 is a front view thereof;
FIG. 3 is a rear view thereof;
FIG. 4 is a left side view thereof;
FIG. 5 is a right side view thereof;
FIG. 6 is a top view thereof;
FIG. 7 is a bottom view thereof;
FIG. 8 is an enlarged view of the encircled portion labeled as 8 in FIG. 1;
FIG. 9 is an enlarged view of the encircled portion labeled as 9 in FIG. 3;
FIG. 10 is an enlarged view of the encircled portion labeled as 10 in FIG. 6;
FIG. 11 is an enlarged view of the encircled portion labeled as 11 in FIG. 7; and,
FIG. 12 is a cross-sectional view taken through line 12-12 of FIG. 6, showing the concave upper region of the electronic console.
The even-length broken lines in FIGS. 1-3 and in FIGS. 5-12 illustrate portions of the electronic console that form no part of the claimed design. The uneven-length broken lines in FIGS. 1, 3, and 6-12, illustrating the enlarged detail views, are for annotative purposes and form no part thereof.

1 Claim, 10 Drawing Sheets



(58) **Field of Classification Search**

USPC D14/444–446; D9/424, 427, 430,
D9/432–433; D13/103, 110–112, 122,
D13/158–160, 184; D23/351, 354,
D23/364–366, 270
CPC .. G06F 1/18; G06F 1/181; G06F 1/20; H05K
5/00; H05K 5/03; H05K 5/04; H05K
5/0213

See application file for complete search history.

(56) **References Cited**

U.S. PATENT DOCUMENTS

D274,396 S * 6/1984 Kikuchi D7/605
D293,317 S * 12/1987 Umezu D14/140.2
D410,282 S * 5/1999 Gutmann D23/364
D415,482 S 10/1999 Jolson
D423,465 S * 4/2000 Runnalls D14/140.2
D436,352 S * 1/2001 Smith D14/137
D460,451 S * 7/2002 Andre D14/356
D461,187 S * 8/2002 Andre D14/356
D462,349 S * 9/2002 Tanaka D14/356
D462,350 S * 9/2002 Tanaka D14/356
D462,351 S * 9/2002 Tanaka D14/356
D462,960 S * 9/2002 Tanaka D14/356
D463,429 S * 9/2002 Tanaka D14/356
D479,718 S 9/2003 Herrmann et al.
D481,388 S * 10/2003 Tanaka D14/356
D483,756 S * 12/2003 Tanaka D14/356
D508,491 S * 8/2005 Choi D14/356
D535,075 S * 1/2007 Weiss D34/1
D566,658 S 4/2008 Mayo et al.
D572,202 S 7/2008 Jacoby et al.
D590,827 S * 4/2009 Song D14/356
D609,232 S * 2/2010 Wang D14/308
D639,006 S 5/2011 Yang et al.
D643,965 S 8/2011 Sprengers
D650,785 S 12/2011 Terwilliger et al.
D657,788 S 4/2012 Ledbetter et al.
D664,993 S 8/2012 Ledbetter et al.
D665,348 S 8/2012 Ledbetter et al.
D665,424 S 8/2012 Ledbetter et al.
D682,282 S 5/2013 Steinfeld
D693,711 S 11/2013 Jacobs et al.
D696,626 S 12/2013 Jacobs et al.
D700,246 S 2/2014 Jacobs et al.
D702,184 S 4/2014 Jacobs et al.
D705,361 S 5/2014 Jacobs et al.
D705,869 S 5/2014 Jacobs et al.
D705,870 S 5/2014 Jacobs et al.
D705,871 S 5/2014 Jacobs et al.
D707,144 S 6/2014 Jacobs et al.
D708,971 S 7/2014 Jacobs et al.
D709,133 S 7/2014 Jacobs et al.
D709,134 S 7/2014 Dallmeyer et al.
D709,959 S 7/2014 Jacobs et al.
D711,258 S 8/2014 Jacobs et al.
D711,923 S 8/2014 Dallmeyer et al.
D713,420 S 9/2014 Dallmeyer et al.
D713,516 S * 9/2014 Belozerova D23/366
D713,948 S * 9/2014 Westphal A61L 9/12
D715,361 S * 10/2014 Barinaga D21/332
D717,874 S * 11/2014 Barinaga D21/332
D721,138 S * 1/2015 Barinaga D21/332
D722,116 S * 2/2015 Gottschalk D21/332
D723,469 S 3/2015 Morris et al.
D728,089 S * 4/2015 Crisa' D23/366
D734,312 S 7/2015 Schmidt et al.
D734,531 S 7/2015 Tragatschnig
D755,942 S * 5/2016 Kim D23/364
D768,129 S * 10/2016 Chen D14/356
D777,891 S * 1/2017 Kubota D23/351
D782,019 S * 3/2017 Kim D23/364
D783,397 S 4/2017 Riffe
D791,297 S * 7/2017 Ljungstrom D23/364

D799,016 S * 10/2017 Su D23/364
D799,598 S * 10/2017 Clark D21/324
D803,368 S * 11/2017 Priester D23/364
D804,460 S * 12/2017 Li D14/242
D805,067 S 12/2017 Sparks et al.
D805,130 S 12/2017 Sparks et al.
D805,131 S 12/2017 Sparks et al.
D805,132 S 12/2017 Sparks et al.
D805,133 S 12/2017 Sparks et al.
D812,053 S 3/2018 Kacin et al.
D817,927 S * 5/2018 McManigal D14/214
D820,358 S 6/2018 Sparks et al.
D826,334 S 8/2018 Christie et al.
D826,335 S 8/2018 Christie et al.
D826,336 S 8/2018 Christie et al.
D826,337 S 8/2018 Christie et al.
D827,032 S 8/2018 Christie et al.
D832,820 S * 11/2018 Norell D14/214
D839,353 S 1/2019 Christie et al.
D839,354 S 1/2019 Christie et al.
D839,355 S 1/2019 Christie et al.
D842,847 S * 3/2019 Walliser D14/240
D843,351 S 3/2019 Osborn et al.
D844,578 S 4/2019 Seflic et al.
D846,383 S 4/2019 Hernandez
D847,321 S * 4/2019 Murofushi D23/351
D860,959 S * 9/2019 Seflic D14/125
D864,179 S * 10/2019 Lin D14/250
D865,148 S * 10/2019 Yoon D23/364
D867,459 S 11/2019 Chatterjee et al.
D883,984 S * 5/2020 Zhang D14/433
D888,918 S * 6/2020 Seo D23/356
D889,447 S * 7/2020 Biddle D14/240
D890,169 S * 7/2020 Liu D14/349
D891,406 S * 7/2020 Hulick D14/240
D894,138 S * 8/2020 Seflic D14/125
D905,161 S * 12/2020 Ledbetter D21/332
D917,392 S * 4/2021 Robredo D13/110
D937,773 S * 12/2021 Huang D13/108
D939,500 S * 12/2021 Ledbetter D14/348
D939,501 S * 12/2021 Ledbetter D14/348
2006/0158834 A1 * 7/2006 Reents G06F 1/181
361/679.33

OTHER PUBLICATIONS

5 Bay RAID Enclosure, Orico, amazon.com, published by Orico, available on Nov. 21, 2019 © 1996-2020 Amazon.com, Inc., online, site visited Dec. 21, 2020. Available at URL: <https://www.amazon.com/ORICO-Storage-Enclosure-External-Aluminum/dp/B082F2QYQW> (Year: 2019).*

“Office Action Issued In Indian Patent Application No. 323904-001”, dated Dec. 30, 2019, 2 Pages.

“Office Action Issued in Mexican Patent Application No. MX/f/2019/003243”, dated Dec. 18, 2019, 3 Pages.

“Office Action Issued in Mexican Patent Application No. MX/f/2019/003245”, dated Dec. 18, 2019, 3 Pages. (Without English Translation).

“Office Action Issued in PCT Application No. WIPO89462”, dated Feb. 11, 2020, 4 Pages.

“Office Action Issued in PCT Application No. WIPO89463”, dated Feb. 11, 2020, 4 Pages.

“Office Action Issued in Malaysian Patent Application No. 19-01484-0101”, dated Jan. 30, 2020, 2 Pages.

“Office Action Issued in Mexican Patent Application No. MX/f/2019/003244”, dated Dec. 18, 2019, 5 Pages.

“Office Action Issued in Malaysian Patent Application No. 19-01487-0101”, dated Jan. 29, 2020, 1 Page.

“Office Action Issued in Mexican Patent Application No. MX/f/2019/003242”, dated Feb. 4, 2020, 3 Pages.

“Office Action Issued in Malaysian Patent Application No. 19-01488-0101”, dated Jan. 31, 2020, 2 Pages. (W/o English Translation).

“Office Action Issued in Malaysian Patent Application No. 19-01485-0101”, dated Jan. 29, 2020, 2 Pages.

(56)

References Cited

OTHER PUBLICATIONS

“Office Action Issued in Malaysian Patent Application No. 19-01484-0101”, dated Nov. 9, 2020, 2 Pages.
“Office Action Issued in Malaysian Patent Application No. 19-01485-0101”, dated Nov. 9, 2020, 2 Pages.
“Office Action Issued in Malaysian Patent Application No. 19-01486-0101”, dated Nov. 9, 2020, 2 Pages.
“Office Action Issued in Malaysian Patent Application No. 19-01487-0101”, dated Nov. 9, 2020, 2 Pages.
“Office Action Issued in Malaysian Patent Application No. 19-01488-0101”, dated Nov. 9, 2020, 2 Pages.
“Office Action Issued in Brazilian Patent Application No. BR302019005748-4”, dated Jun. 9, 2020, 02 Pages.
“Office Action Issued in Malaysian Patent Application No. 19-01486-0101”, dated Jan. 30, 2020, 3 Pages.
“Non Final Office Action Issued in U.S. Appl. No. 29/692,101”, dated Aug. 13, 2020, 9 Pages.
“PS5 VS Xbox Series X”, Retrieved from: <https://www.youtube.com/watch?v=DDRJdrWcjKA>, Jun. 15, 2020, 1 Page.
“Xbox One S Unboxing, Setup and Impressions”, Retrieved from: <https://www.youtube.com/watch?v=OcUCmwGyuzl>, Aug. 3, 2016, 1 Page.
“Non Final Office Action Issued in U.S. Appl. No. 29/692,094”, dated Aug. 4, 2020, 9 Pages.

“Office Action Issued in Japanese Patent Application No. 2020-009930”, dated Oct. 21, 2020, 5 Pages.
Edmonds, Rich, “NZXT H1 Review: This Compact PC Case Earned our Highest Rating”, Retrieved From: <https://www.windowcentral.com/nzxt-h1-review>, Feb. 25, 2020, 11 Pages.
Swinburne, Richard, “Fractal Design Array R2 Mini-ITX Case Review”, Retrieved From: <https://bit-tech.net/reviews/tech/cases/fractal-design-array-r2-m-itx-case-review/1/>, Jul. 14, 2010, 5 Pages.
“Non Final Office Action Issued in U.S. Appl. No. 29/692,097”, dated Jan. 1, 2021, 12 Pages.
“Non Final Office Action Issued in U.S. Appl. No. 29/692,089”, dated Jan. 1, 2021, 11 Pages.
“Office Action Issued in Canadian Patent Application No. 191482”, dated Apr. 21, 2021, 2 Pages.
“Office Action Issued in Canadian Patent Application No. 191480”, dated Apr. 21, 2021, 2 Pages.
“Office Action Issued in Canadian Patent Application No. 191485”, dated Apr. 21, 2021, 2 Pages.
“Office Action Issued in Canadian Patent Application No. 191481”, dated Apr. 21, 2021, 2 Pages.
“Office Action Issued in Canadian Patent Application No. 191479”, dated Apr. 21, 2021, 2 Pages.
“Notice of Allowance Issued in U.S. Appl. No. 29/692,089”, dated Sep. 13, 2021, 8 Pages.
“Notice of Allowance Issued in U.S. Appl. No. 29/692,097”, dated Sep. 7, 2021, 8 Pages.

* cited by examiner

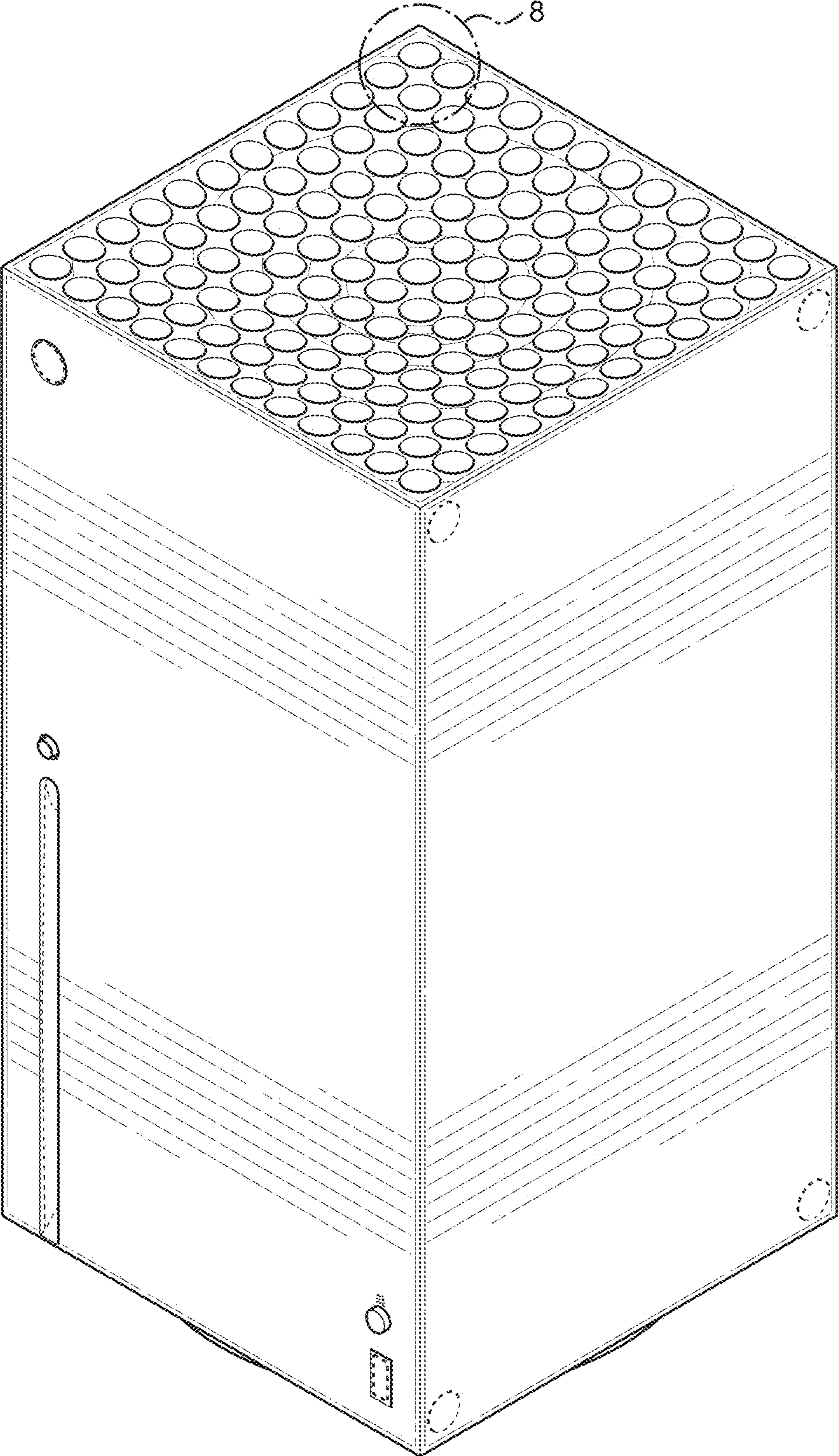


FIG. 1

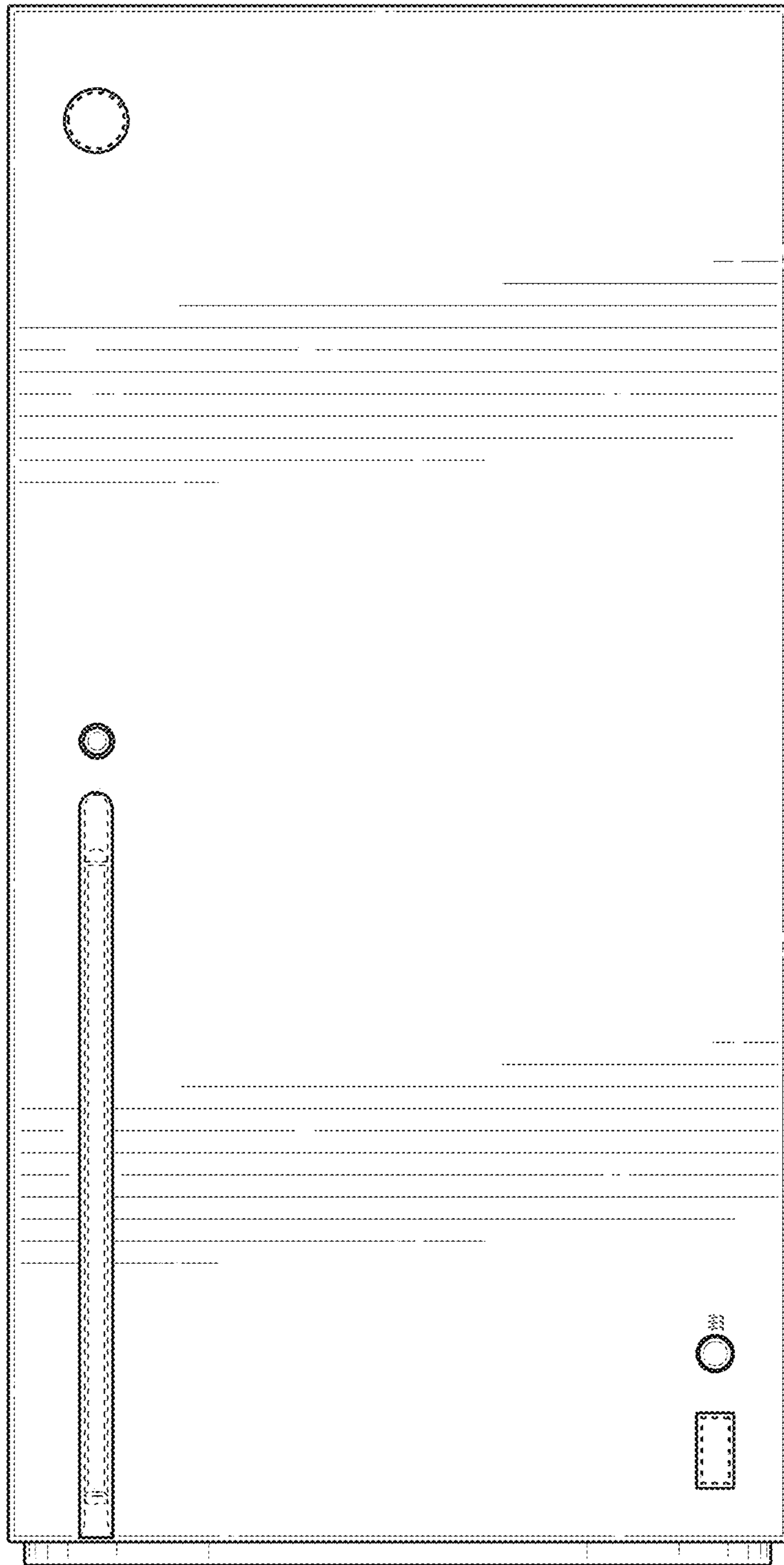


FIG. 2

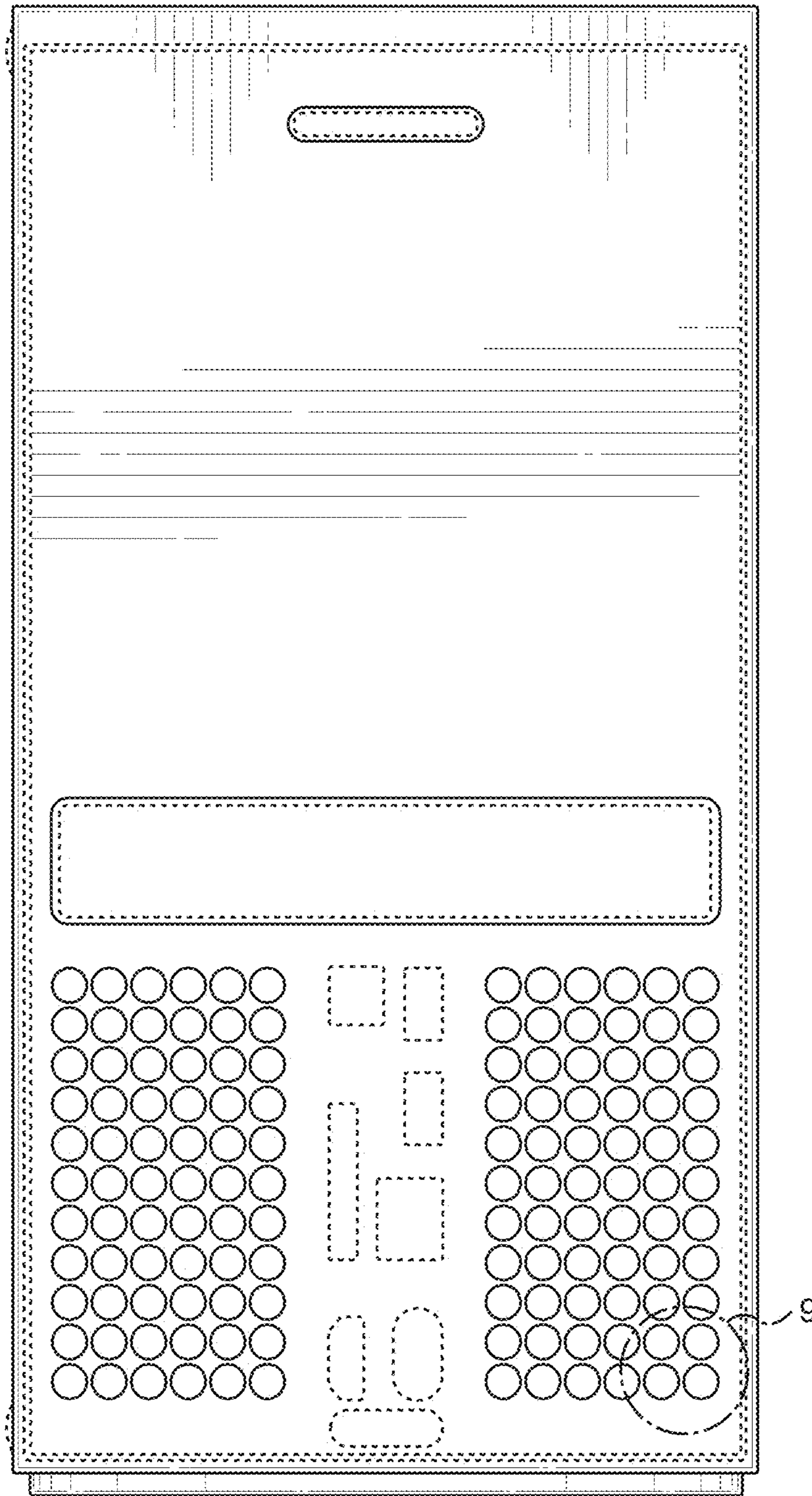


FIG. 3

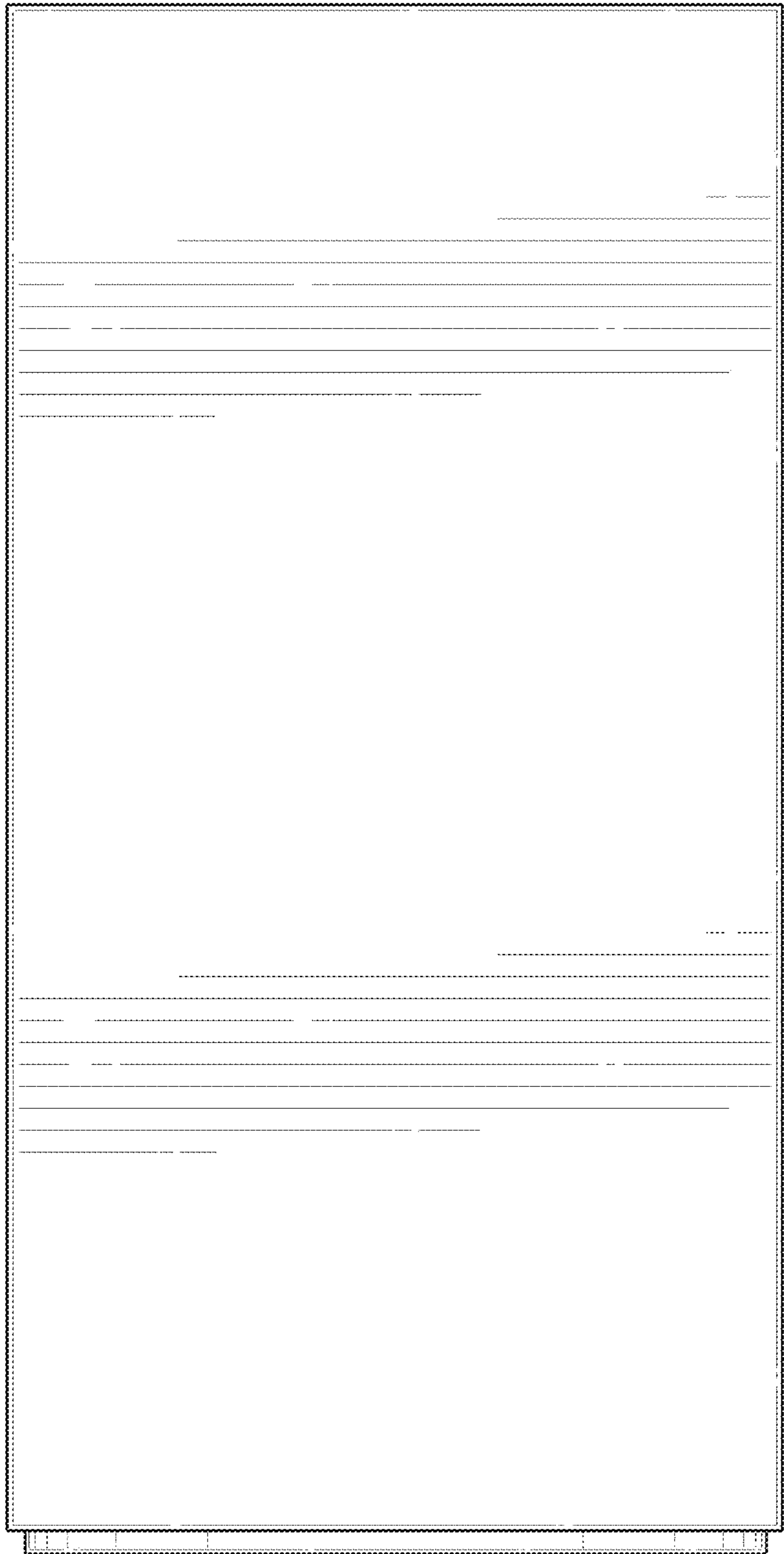


FIG. 4

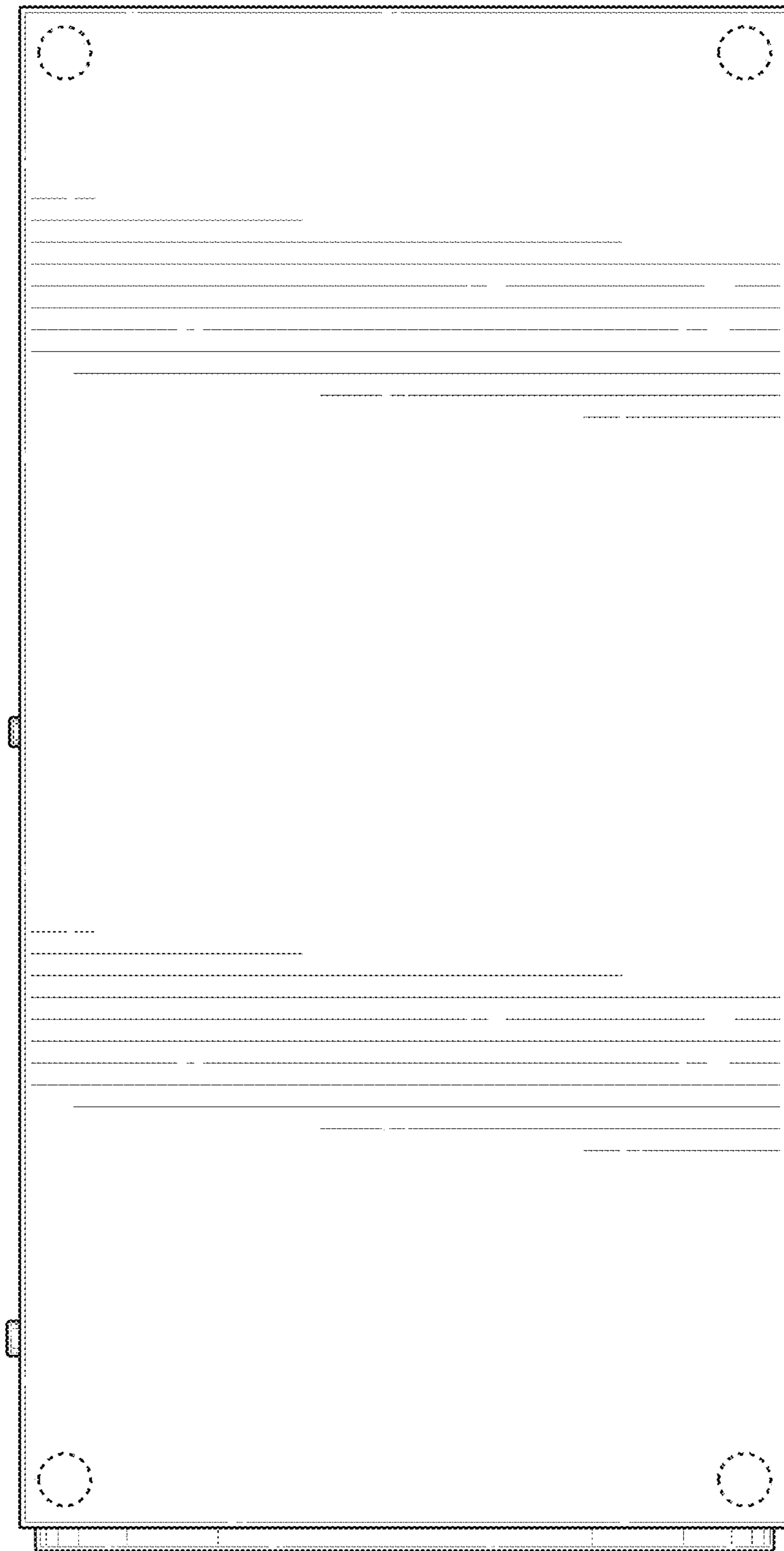


FIG. 5

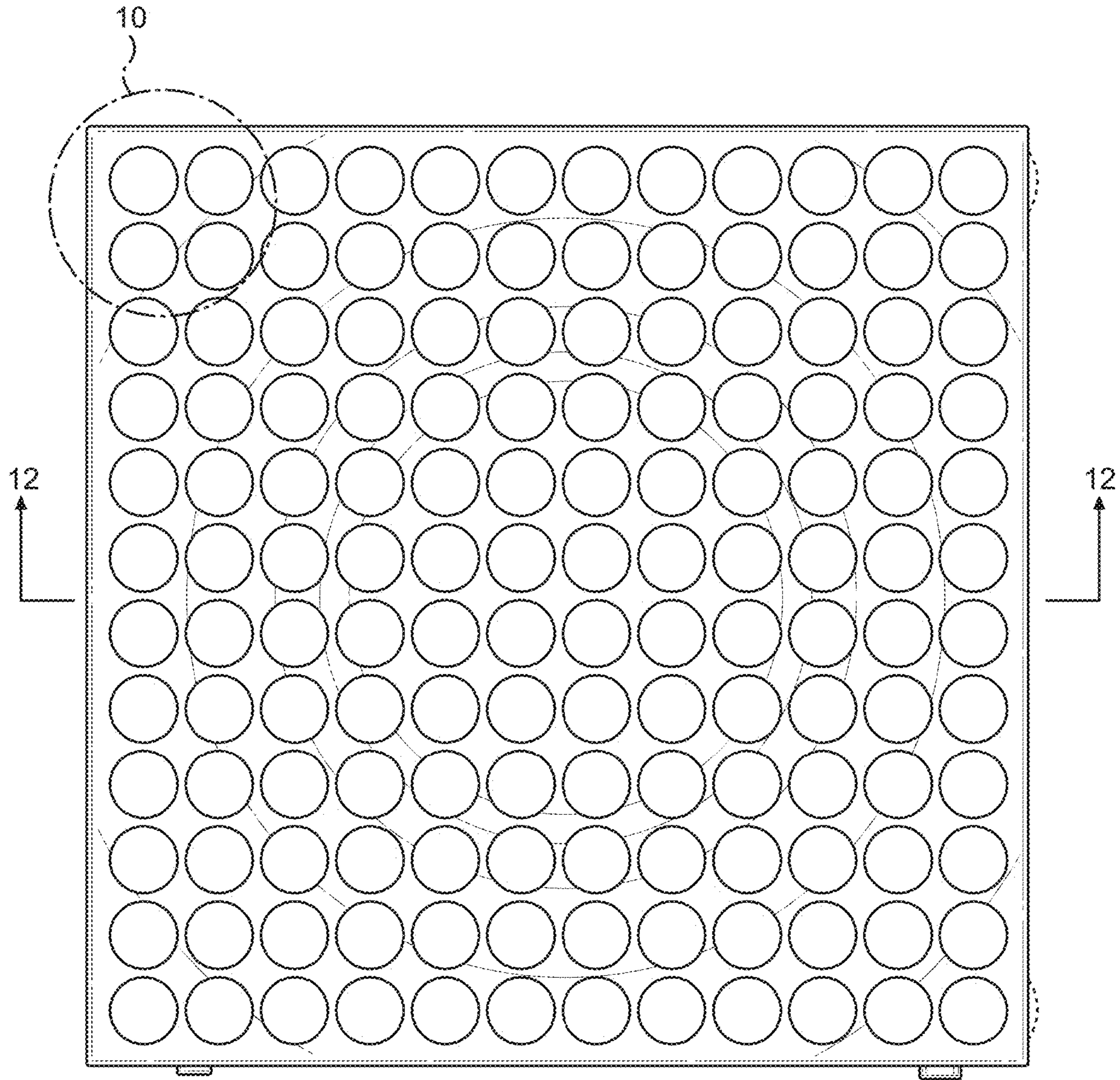


FIG. 6

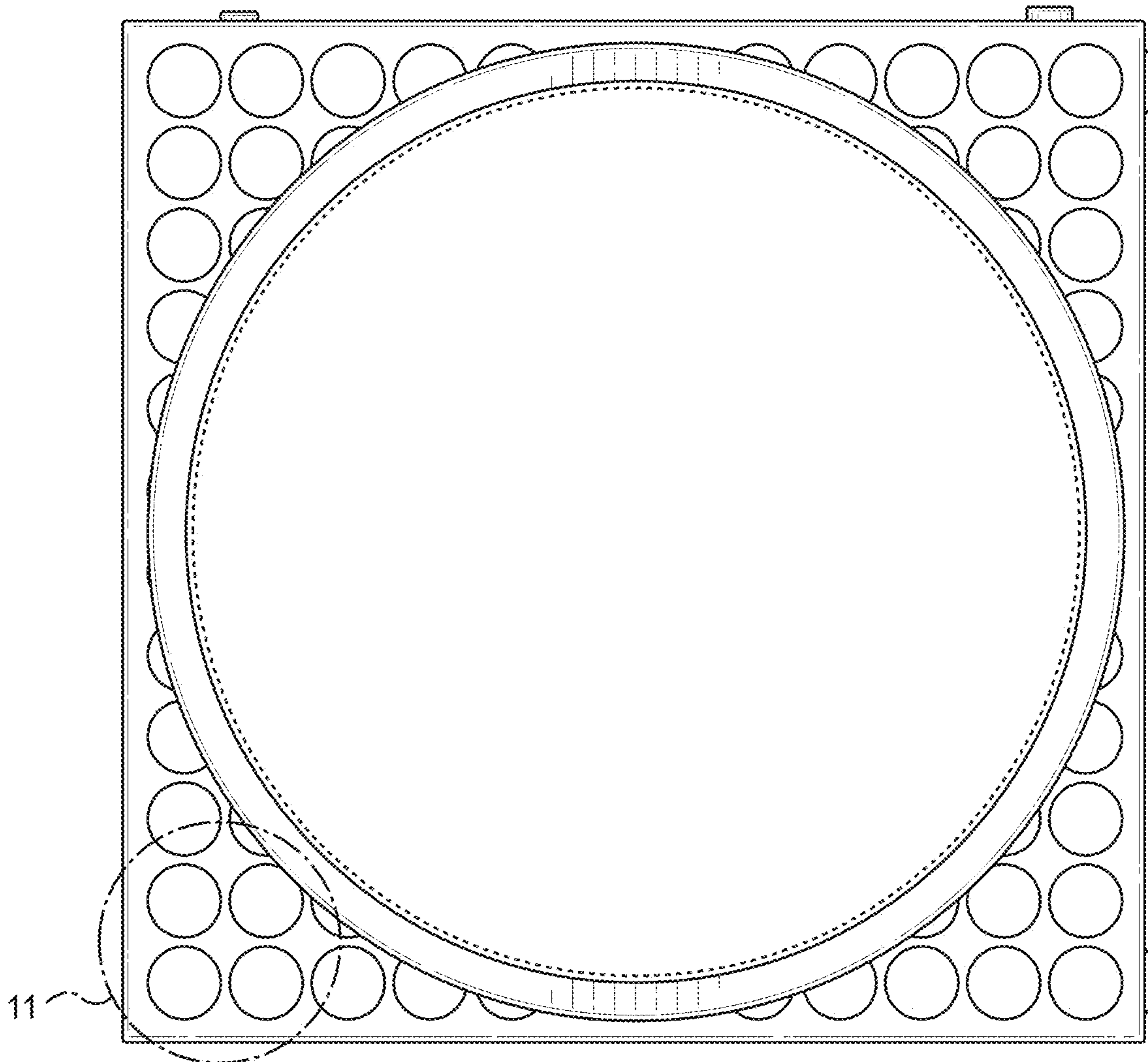


FIG. 7

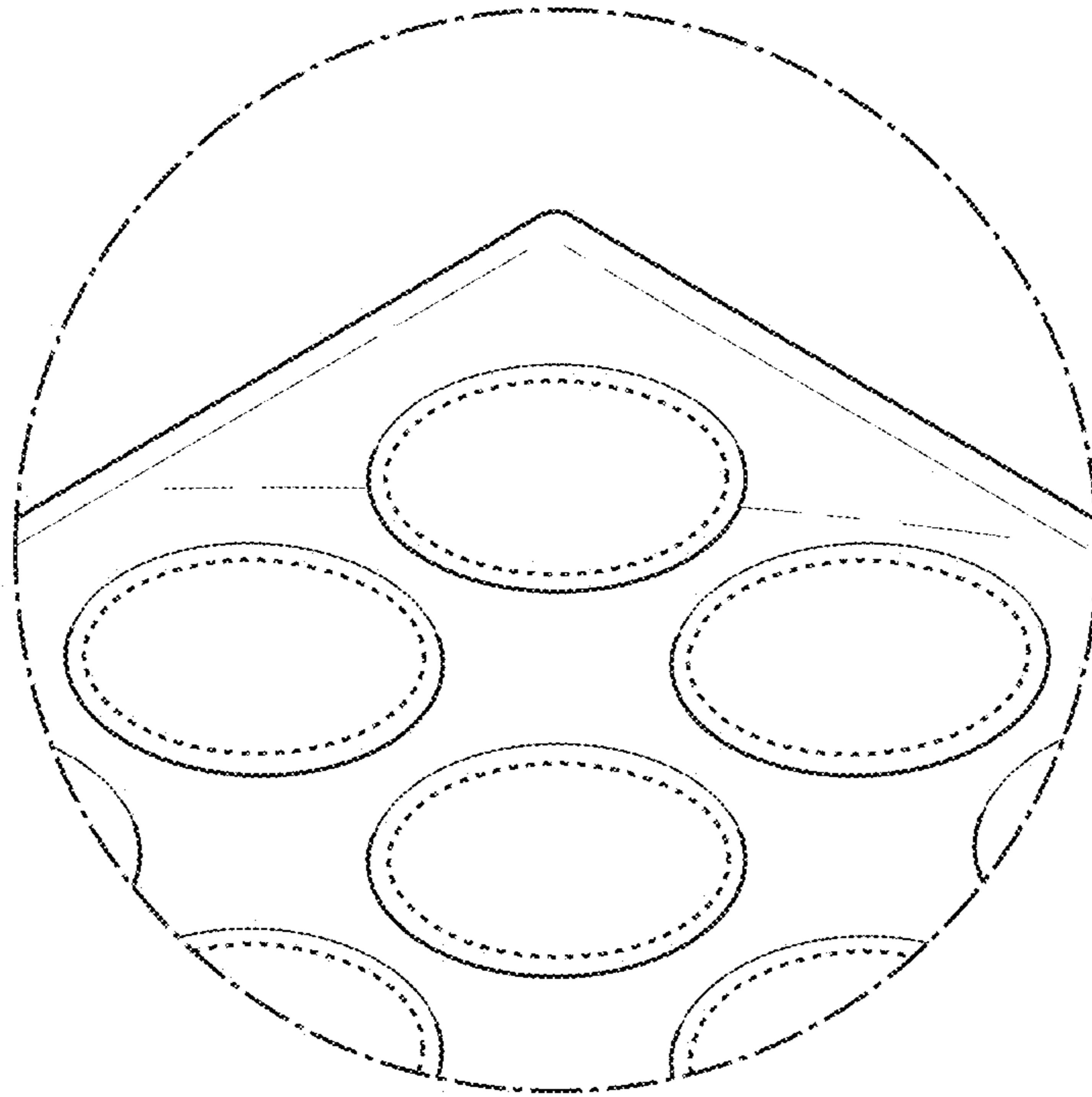


FIG. 8

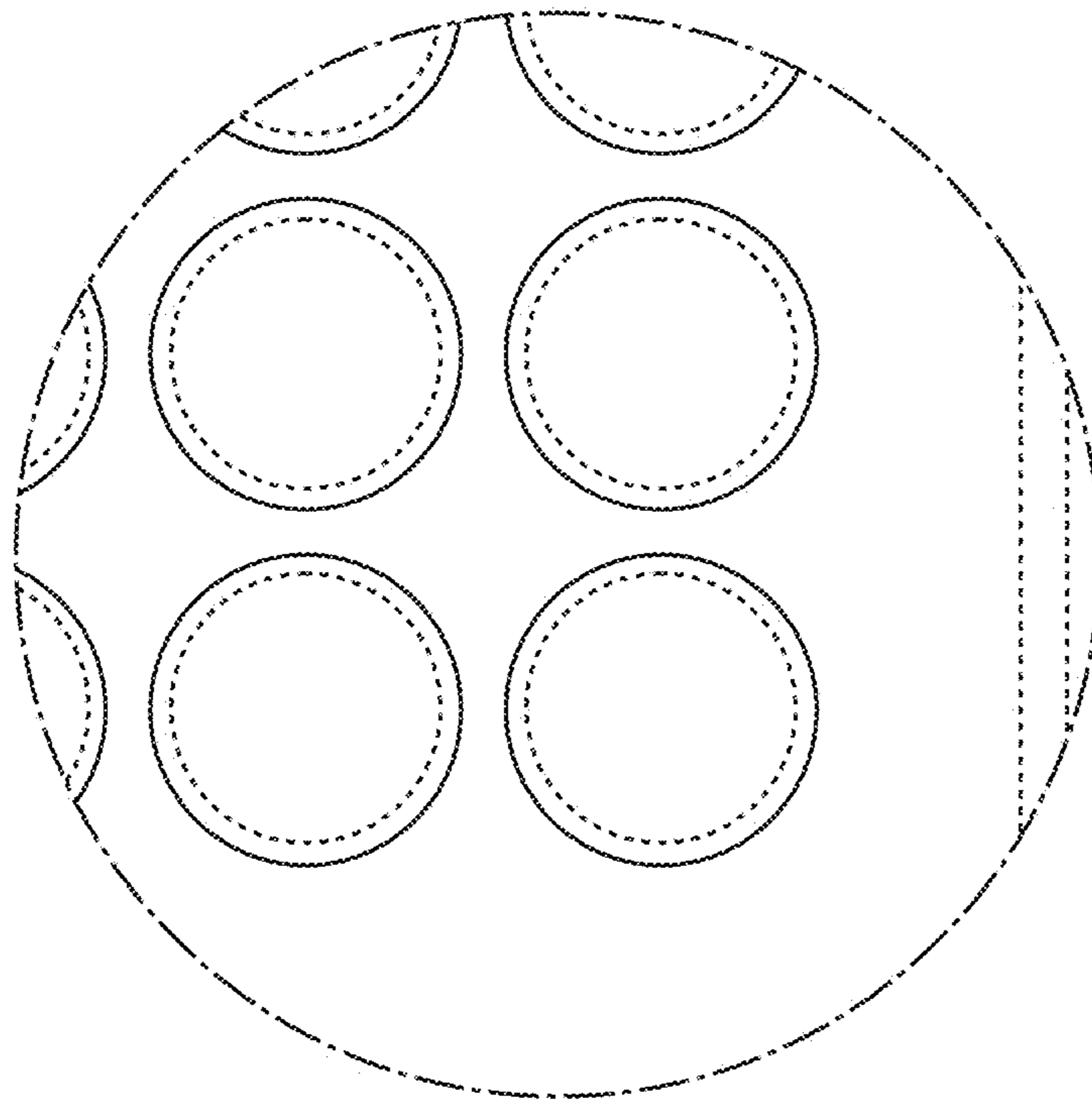


FIG. 9

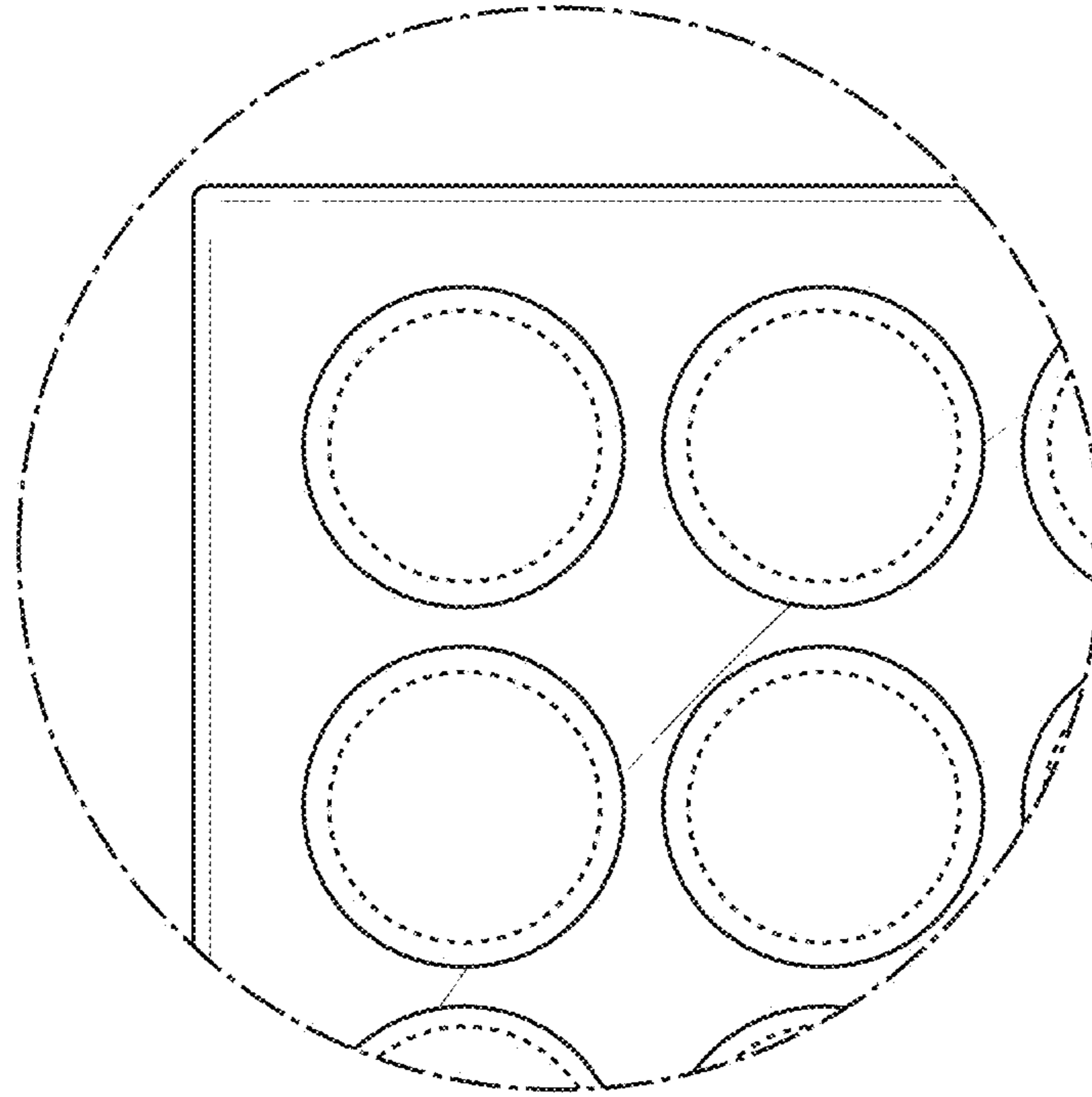


FIG. 10

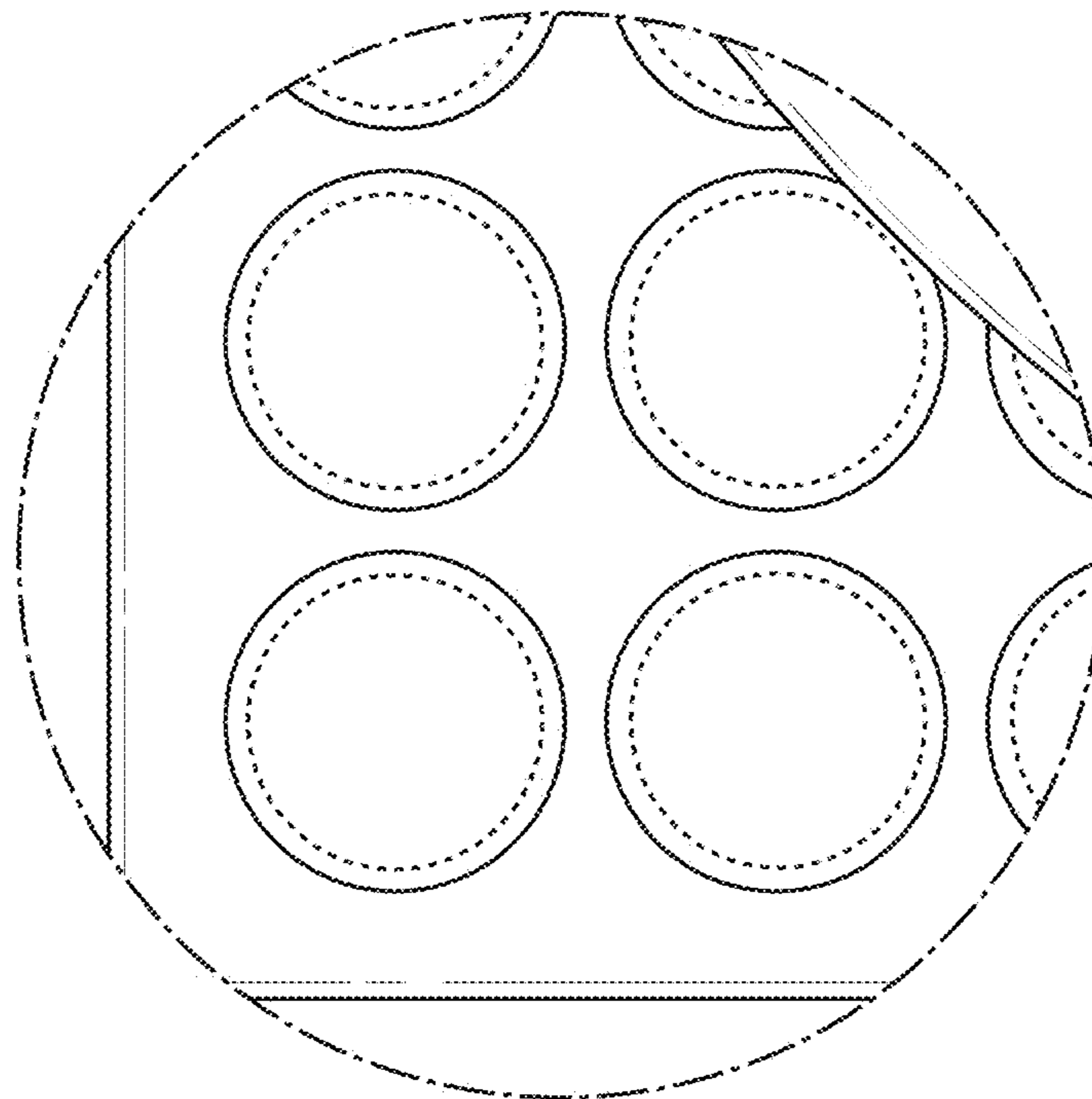


FIG. 11

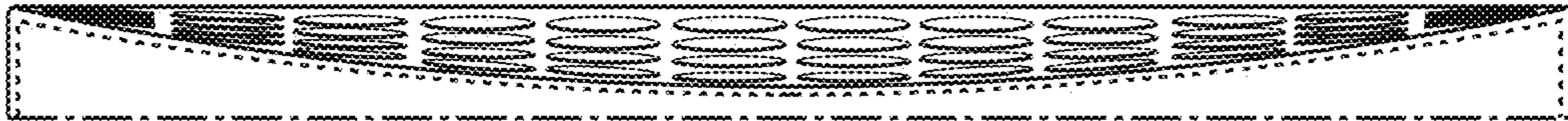


FIG. 12