

US00D954708S

(12) **United States Design Patent**
Shim

(10) **Patent No.:** **US D954,708 S**
(45) **Date of Patent:** **** Jun. 14, 2022**

(54) **SOLID STATE DRIVE MEMORY DEVICE**

(71) Applicant: **SAMSUNG ELECTRONICS CO., LTD.**, Suwon-si (KR)

(72) Inventor: **Hyung-Sup Shim**, Suwon-si (KR)

(73) Assignee: **SAMSUNG ELECTRONICS CO., LTD.**, Suwon-si (KR)

(**) Term: **15 Years**

(21) Appl. No.: **29/758,912**

(22) Filed: **Nov. 19, 2020**

(30) **Foreign Application Priority Data**

Jul. 9, 2020 (KR) 30-2020-0031428

(51) **LOC (13) Cl.** **14-02**

(52) **U.S. Cl.**
USPC **D14/348**; D14/363

(58) **Field of Classification Search**
USPC D14/341, 345, 348, 353-358, 361-362, D14/370, 383-385, 432-440, 453.1, 474, D14/480, 480.1, 480.3, 480.5, 480.6, D14/480.7, 496, 507, 510-511, 125, 135, D14/155, 203.1, 203.3, 214, 230, 242, D14/299, 402, 407-408

CPC G06F 1/1632; G06F 1/1684; G06F 3/0673; G06F 3/0674; G06F 11/3044; G06F 13/122; G06F 13/382; G06F 13/385; G06K 19/041; G06K 19/07732; H05K 5/0004; H05K 5/0278; H05K 5/03; H05K 5/00; H05K 5/0043; H05K 5/0047; H05K 5/0052; H05K 5/0217; H05K 5/0243; H05K 5/0286

See application file for complete search history.

(56) **References Cited**

U.S. PATENT DOCUMENTS

D831,657 S * 10/2018 Shim D14/435
D847,812 S * 5/2019 Shim D14/356

D848,417 S * 5/2019 Shim D14/356
D856,324 S * 8/2019 Shim D14/348
D856,326 S * 8/2019 Shim D14/356
D907,036 S * 1/2021 Shim D14/348

(Continued)

FOREIGN PATENT DOCUMENTS

CN 301284875 S 7/2010
KR 300943301 S 2/2018

(Continued)

OTHER PUBLICATIONS

Orico Mini 250GB. Orico, amazon.com (online) 11 pages. Posted Jun. 19, 2020. [Retrieved Jan. 25, 2022] https://www.amazon.com/dp/B08BHNN2DV/ref=cm_sw_em_r_mt_dp_DS604CDT89QZEY72FB5S (Year: 2020).*

Primary Examiner — Kathleen L Jones
Assistant Examiner — Cole Sanders Holman
(74) *Attorney, Agent, or Firm* — Sughrue Mion, PLLC

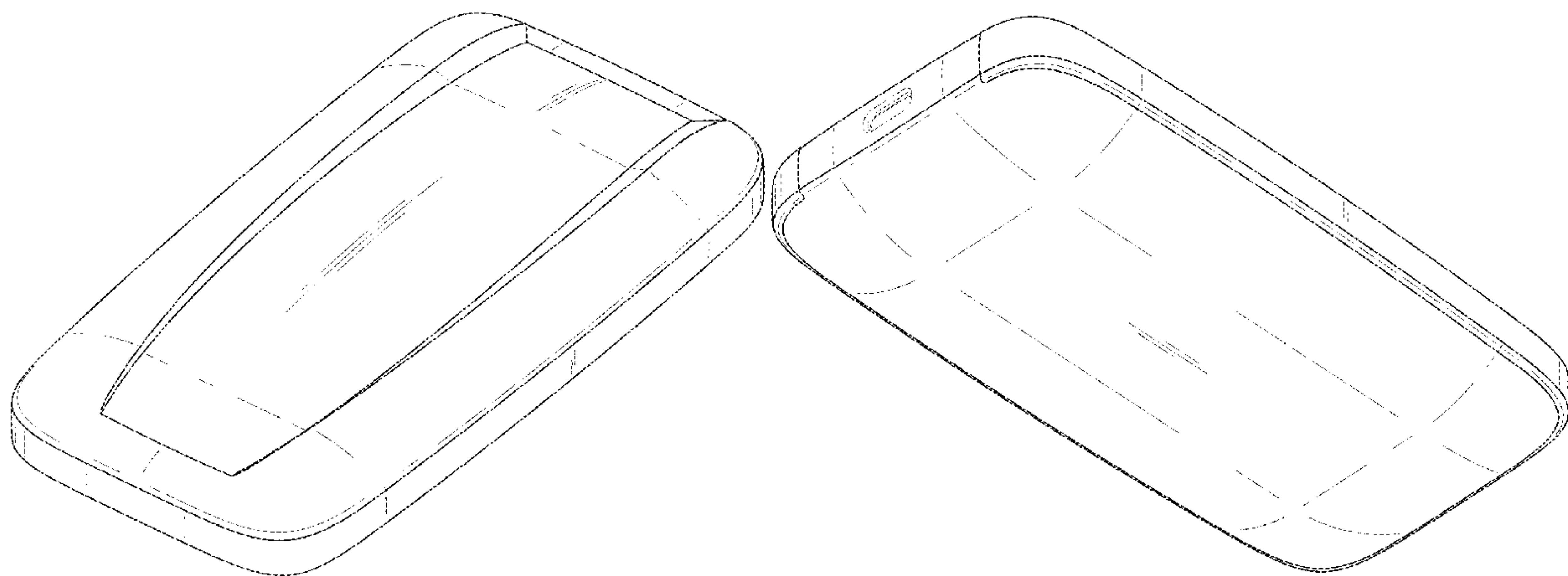
(57) **CLAIM**

The ornamental design for a solid state drive memory device, as shown and described.

DESCRIPTION

FIG. 1 is a front perspective view of a solid state drive memory device;
FIG. 2 is a front view thereof;
FIG. 3 is a rear view thereof;
FIG. 4 is a left-side view thereof;
FIG. 5 is a right-side view thereof;
FIG. 6 is a top plan view thereof;
FIG. 7 is a bottom plan view thereof; and,
FIG. 8 is a bottom-rear perspective view thereof.
The evenly dashed broken lines in the figures depict portions of the solid state drive memory device that forms no part of the claimed design.

1 Claim, 8 Drawing Sheets



(56)

References Cited

U.S. PATENT DOCUMENTS

D907,631 S * 1/2021 Shim D14/348
D908,123 S * 1/2021 Shim D14/348

FOREIGN PATENT DOCUMENTS

KR 300946113 S 3/2018
KR 301014950 S 7/2019
KR 301014951 S 7/2019

* cited by examiner

FIG. 1

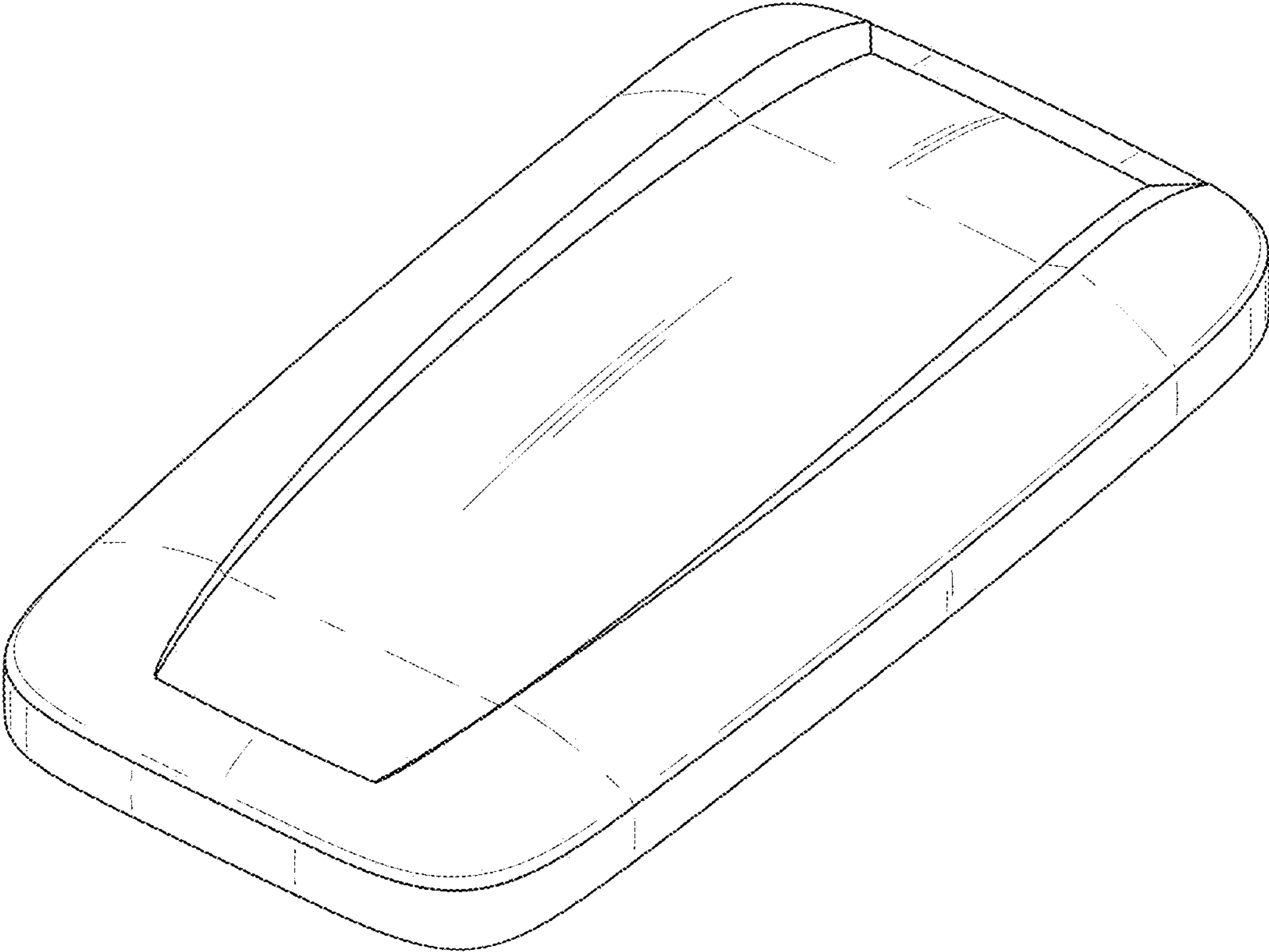


FIG. 2

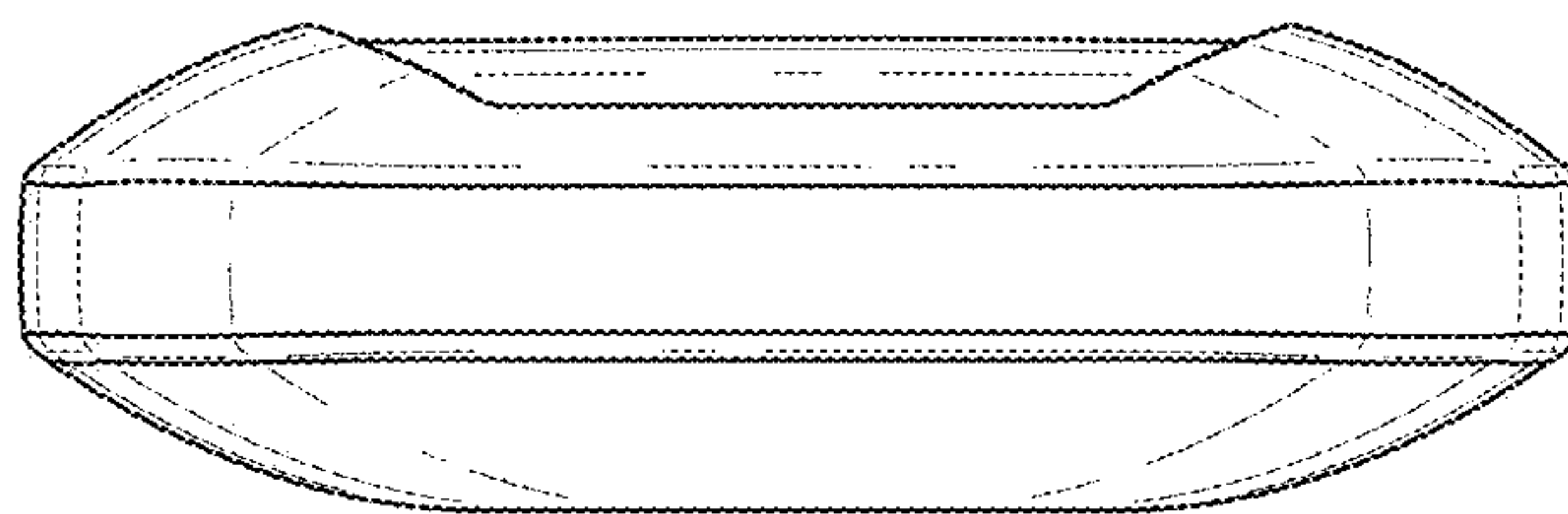


FIG. 3

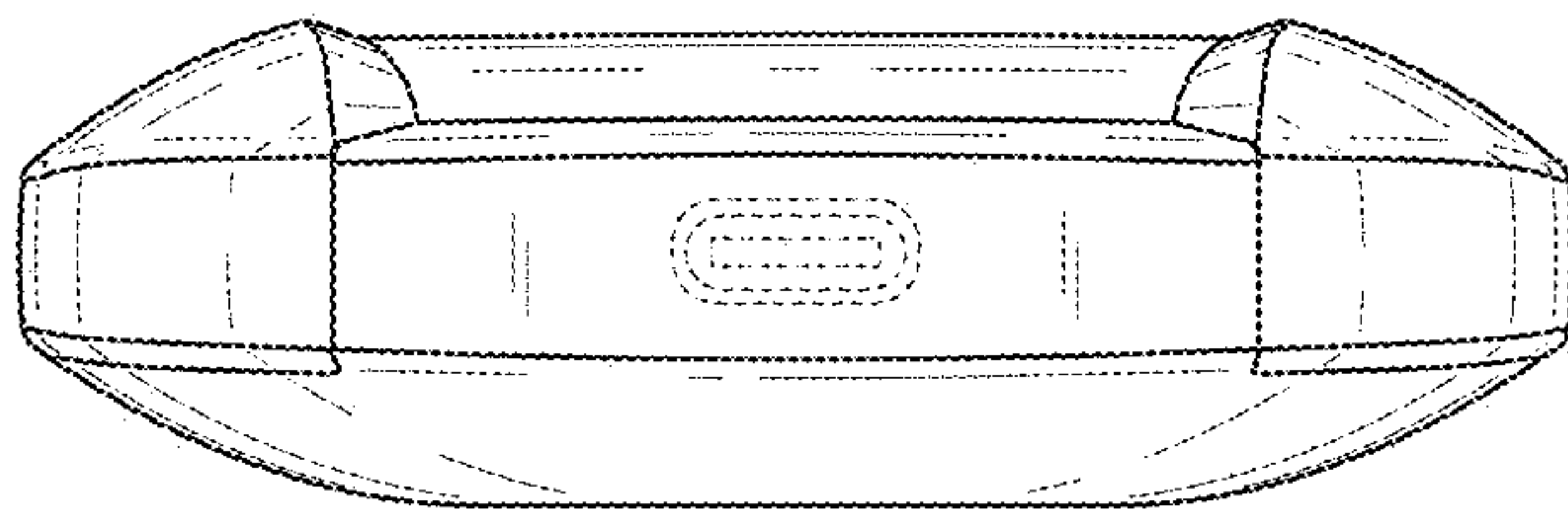


FIG. 4

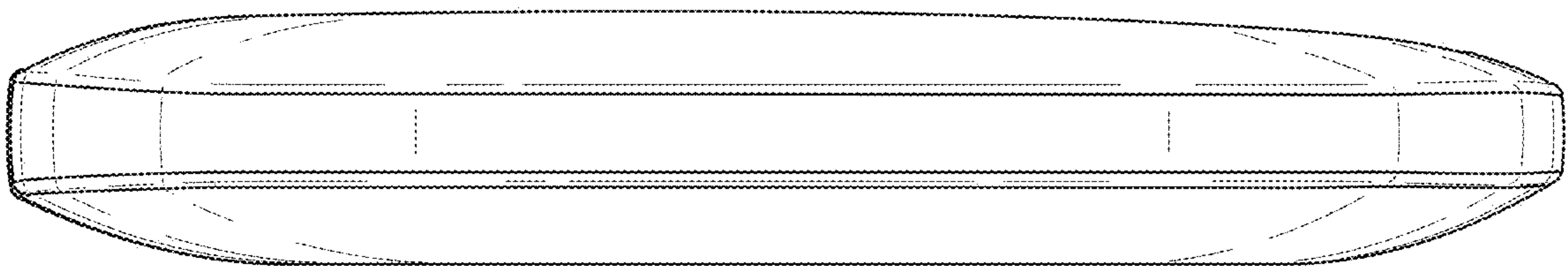


FIG. 5

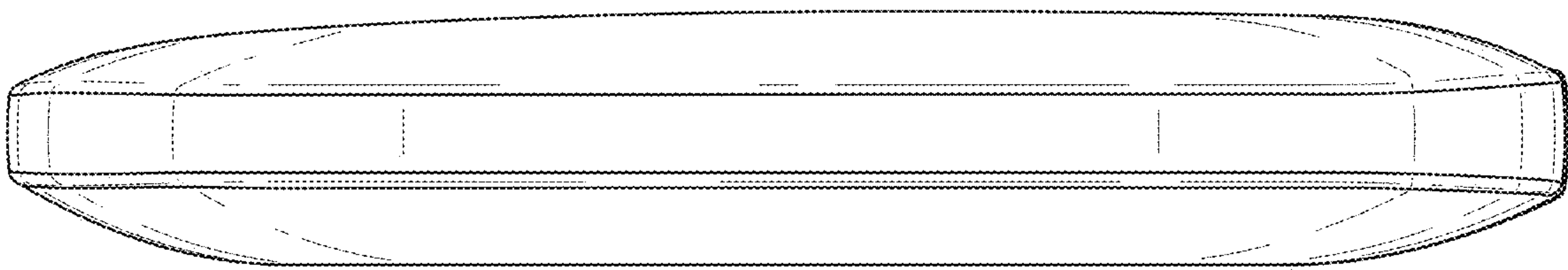


FIG. 6

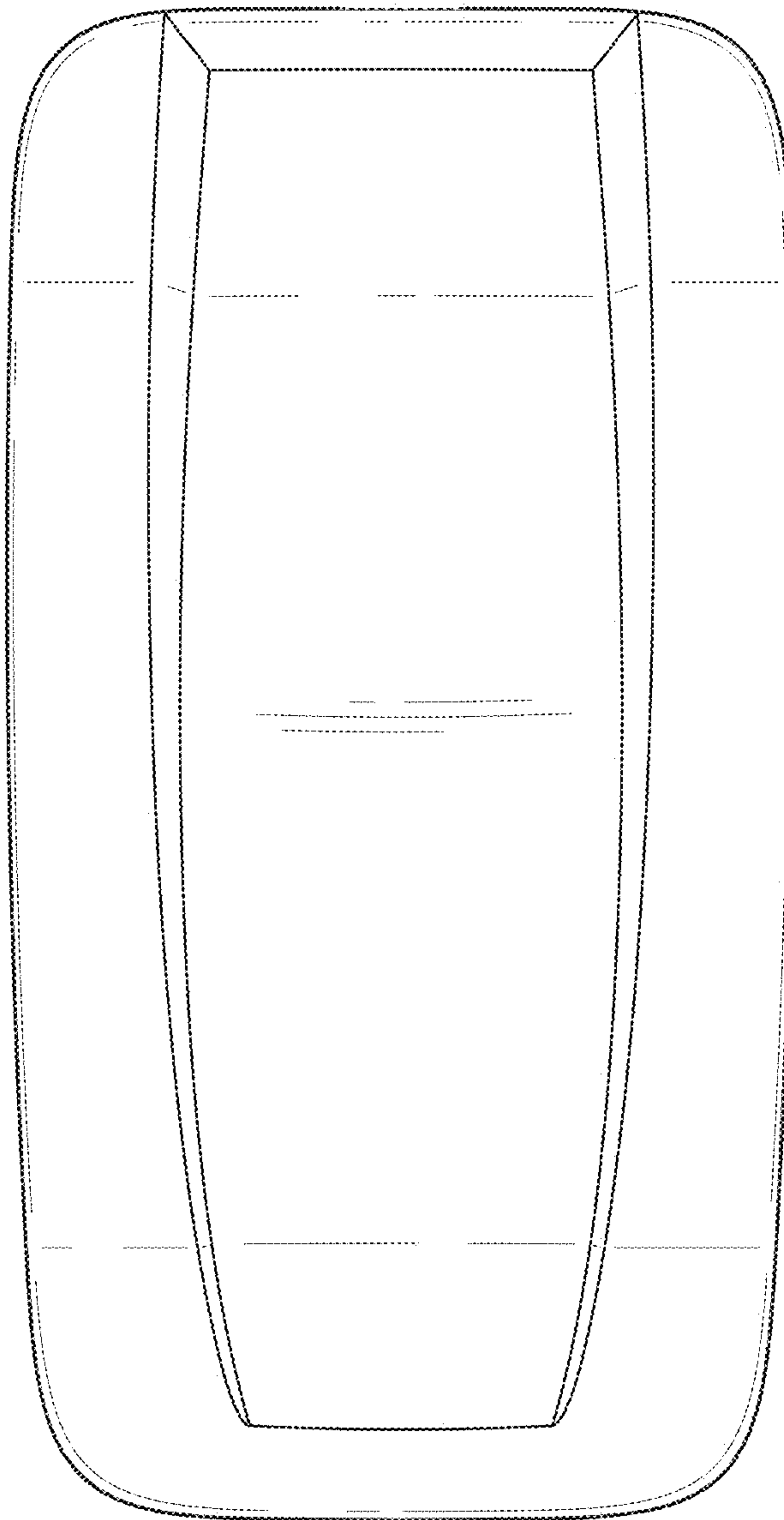


FIG. 7

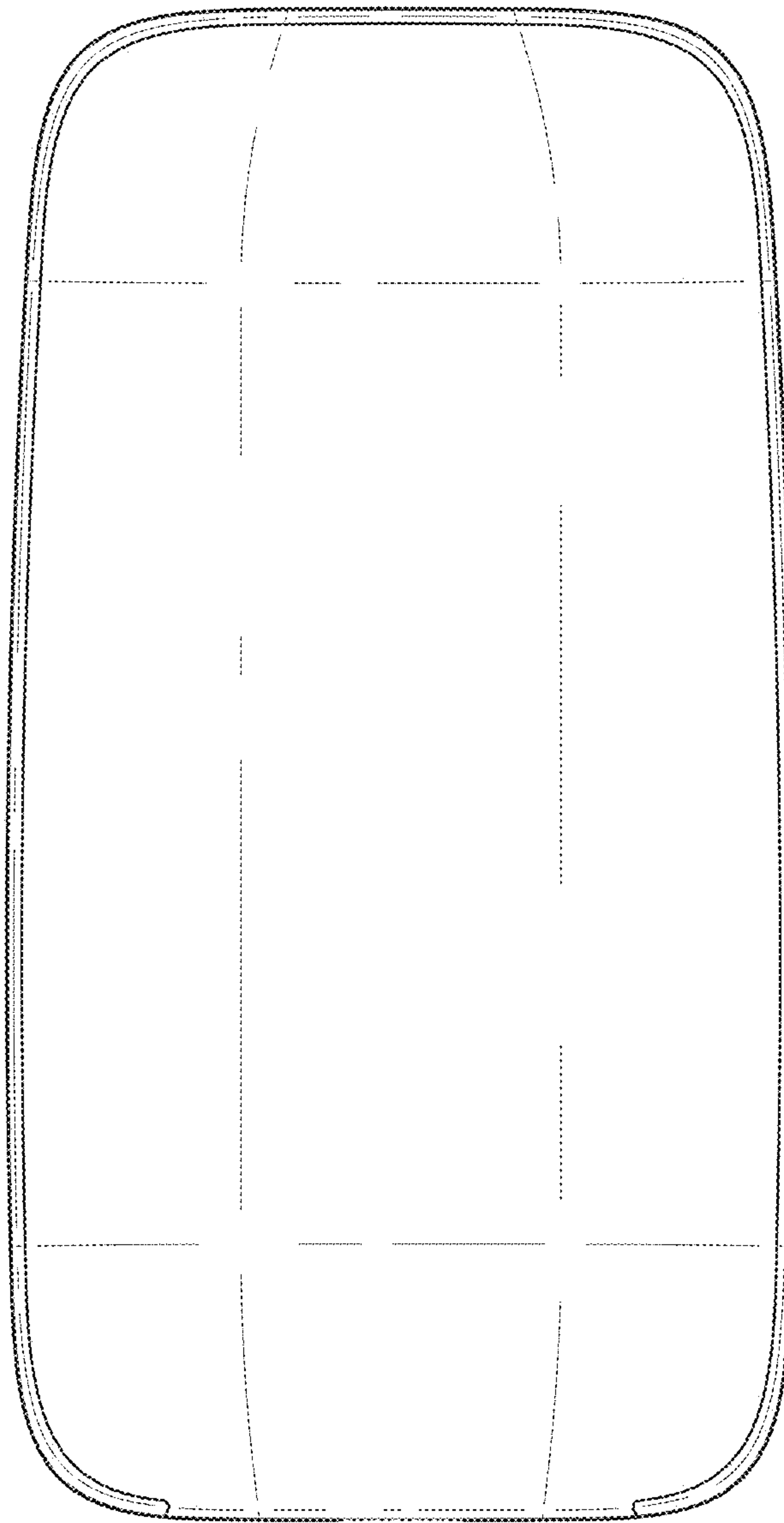


FIG. 8

