



US00D954707S

(12) **United States Design Patent**
Shim

(10) **Patent No.:** **US D954,707 S**
(45) **Date of Patent:** **** Jun. 14, 2022**

(54) **SOLID STATE DRIVE MEMORY DEVICE**

(71) Applicant: **SAMSUNG ELECTRONICS CO., LTD.**, Suwon-si (KR)

(72) Inventor: **Hyung-Sup Shim**, Suwon-si (KR)

(73) Assignee: **SAMSUNG ELECTRONICS CO., LTD.**, Suwon-si (KR)

(**) Term: **15 Years**

(21) Appl. No.: **29/758,910**

(22) Filed: **Nov. 19, 2020**

(30) **Foreign Application Priority Data**

Aug. 12, 2020 (KR) 30-2020-0037575

(51) **LOC (13) Cl.** **14-02**

(52) **U.S. Cl.**
USPC **D14/348; D14/363**

(58) **Field of Classification Search**
USPC D14/341, 345, 348, 353-358, 361-362, D14/370, 383-385, 432-440, 453.1, 474, D14/480, 480.1, 480.3, 480.5, 480.6, D14/480.7, 496, 507, 510-511, 125, 135, D14/155, 203.1, 203.3, 214, 230, 242, D14/299, 240, 402, 407, 408, 300, 308,
(Continued)

(56) **References Cited**

U.S. PATENT DOCUMENTS

D352,364 S * 11/1994 Dietz D28/8.1
D587,400 S * 2/2009 Yatsko D28/8.1
D702,239 S * 4/2014 Lee D14/432
(Continued)

FOREIGN PATENT DOCUMENTS

CN 301751145 S 12/2011
CN 305125255 S 4/2019
(Continued)

OTHER PUBLICATIONS

SanDisk Professional 5TB G-Drive. SanDisk Professional, amazon.com (online) 12 pages. Posted May 26, 2021. [Retrieved Feb. 7, 2022] https://www.amazon.com/dp/B094JHRBJW/ref=cm_sw_em_r_mt_dp_6YMGVXB5KRB7AJ8QY7C2 (Year: 2021).*

(Continued)

Primary Examiner — Kathleen L Jones

Assistant Examiner — Cole Sanders Holman

(74) *Attorney, Agent, or Firm* — Sughrue Mion, PLLC

(57) **CLAIM**

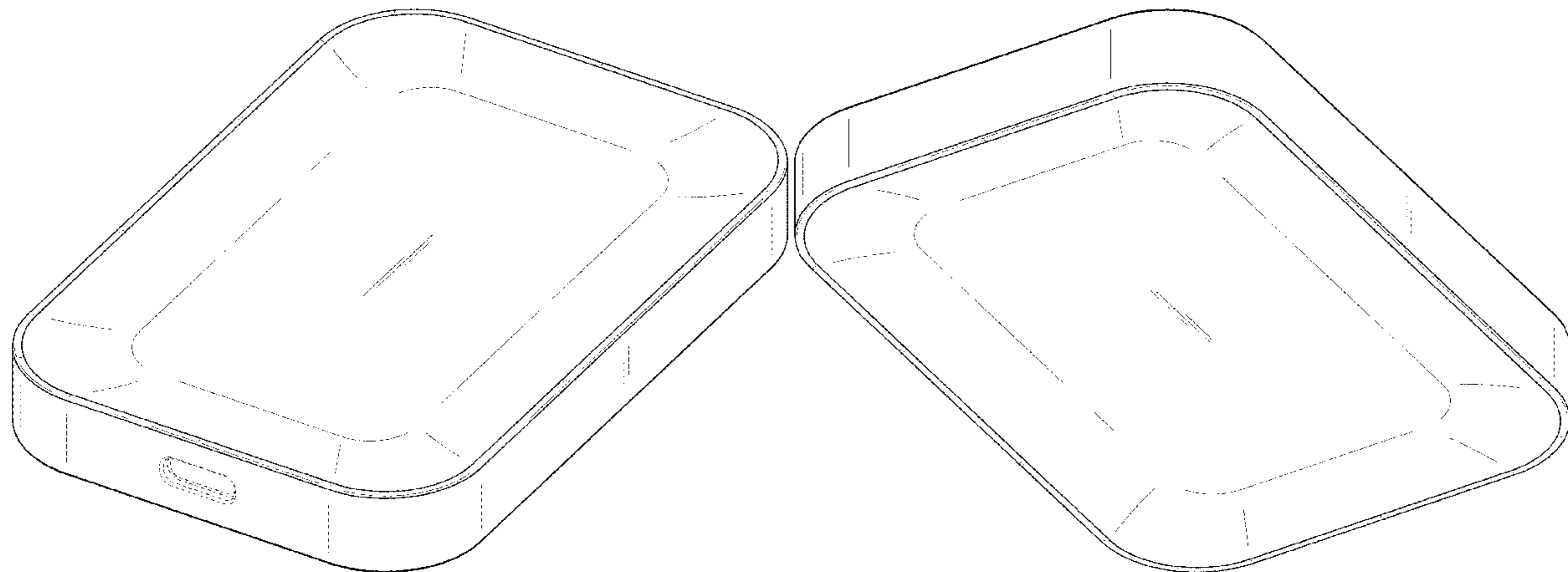
The ornamental design for a solid state drive memory device, as shown and described.

DESCRIPTION

FIG. 1 is a front perspective view of a solid state drive memory device;
FIG. 2 is a front view thereof;
FIG. 3 is a rear view thereof;
FIG. 4 is a left-side view thereof;
FIG. 5 is a right-side view thereof;
FIG. 6 is a top plan view thereof;
FIG. 7 is a bottom plan view thereof;
FIG. 8 is a bottom-rear perspective view thereof;
FIG. 9 is a cross sectional view taken through line 9-9 of FIG. 6; and,
FIG. 10 is a cross sectional view taken through line 10-10 of FIG. 6.

The evenly dashed broken lines in the figures depict portions of the solid state drive memory device that form no part of the claimed design. The diagonal broken lines in FIGS. 9 and 10 indicate interior sectional views of the article and form no part of the claimed design.

1 Claim, 10 Drawing Sheets



US D954,707 S

Page 2

(58) **Field of Classification Search**

USPC D14/311, 312, 314; D28/18, 19;
D32/32, 33
CPC G06F 1/1632; G06F 1/1684; G06F 3/0673;
G06F 3/0674; G06F 11/3044; G06F
13/122; G06F 13/382; G06F 13/385;
G06K 19/041; G06K 19/07732; H05K
5/0004; H05K 5/0278; H05K 5/03; H05K
5/00; H05K 5/0043; H05K 5/0047; H05K
5/0052; H05K 5/0217; H05K 5/0243;
H05K 5/0286

See application file for complete search history.

(56) **References Cited**

U.S. PATENT DOCUMENTS

D783,610 S * 4/2017 Zhou D14/240
D785,239 S * 4/2017 Janardhana C11D 17/0026
D28/8.1
D916,705 S * 4/2021 Liao D14/433
D928,160 S * 8/2021 Liao D14/433
D936,656 S * 11/2021 Liao D14/433

2012/0118773 A1* 5/2012 Rayner H05K 5/069
206/320
2013/0280940 A1* 10/2013 Pai G11B 33/122
439/345
2021/0281673 A1* 9/2021 Li G01S 17/08

FOREIGN PATENT DOCUMENTS

CN 305210488 S 6/2019
CN 305544487 S 1/2020
KR 300554407 S 3/2010
KR 30-1027907 S 10/2019

OTHER PUBLICATIONS

Kingston XS2000 500G. Kingston Store, amazon.com (online) 14 pages. Posted Sep. 3, 2021. [Retrieved Feb. 7, 2022] https://www.amazon.com/dp/B09F5WJV8R/ref=cm_sw_em_r_mt_dp_AEQ127WTJJ9VD3CJKESEH?encoding=UTF8&psc=1 (Year: 2021).*
Huh Yun-Su, KR Design No. 3020210019578, published at Orbit, publication date Dec. 8, 2021. Site visited Feb. 7, 2022. Available from internet. (Year: 2021).*
Communication dated Jun. 29, 2021 issued by the Taiwan Intellectual Property Office in English counterpart Taiwan Application No. 109306614 Translation.

* cited by examiner

FIG. 1

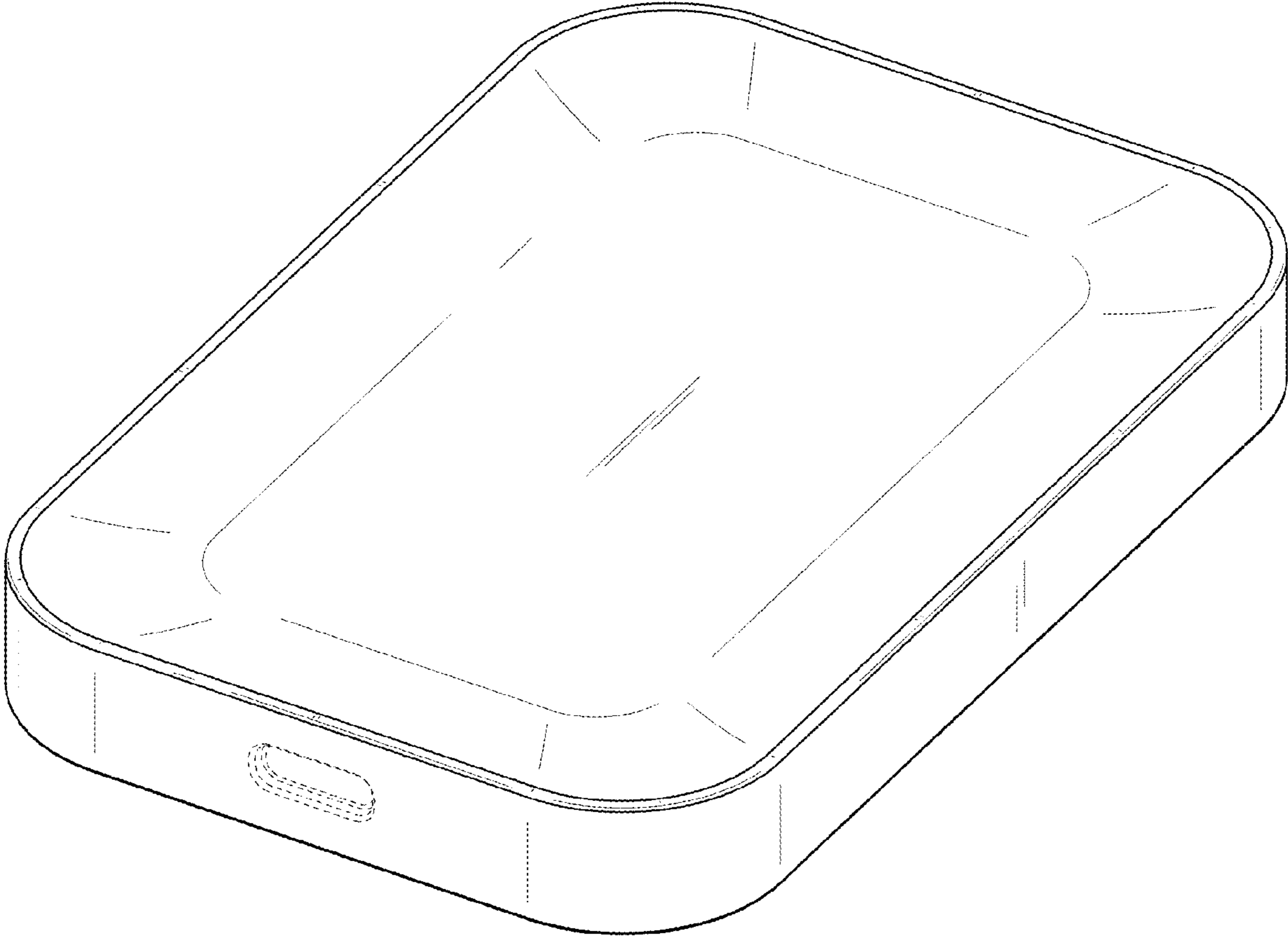


FIG. 2

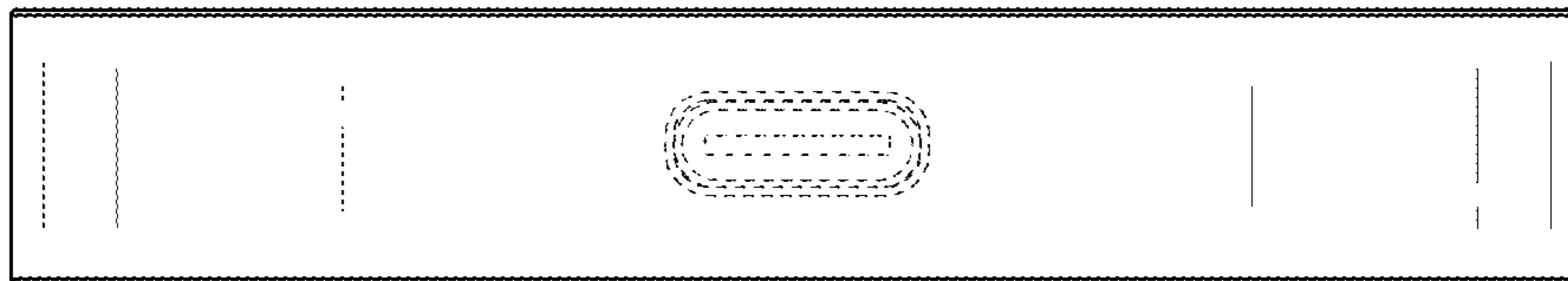


FIG. 6

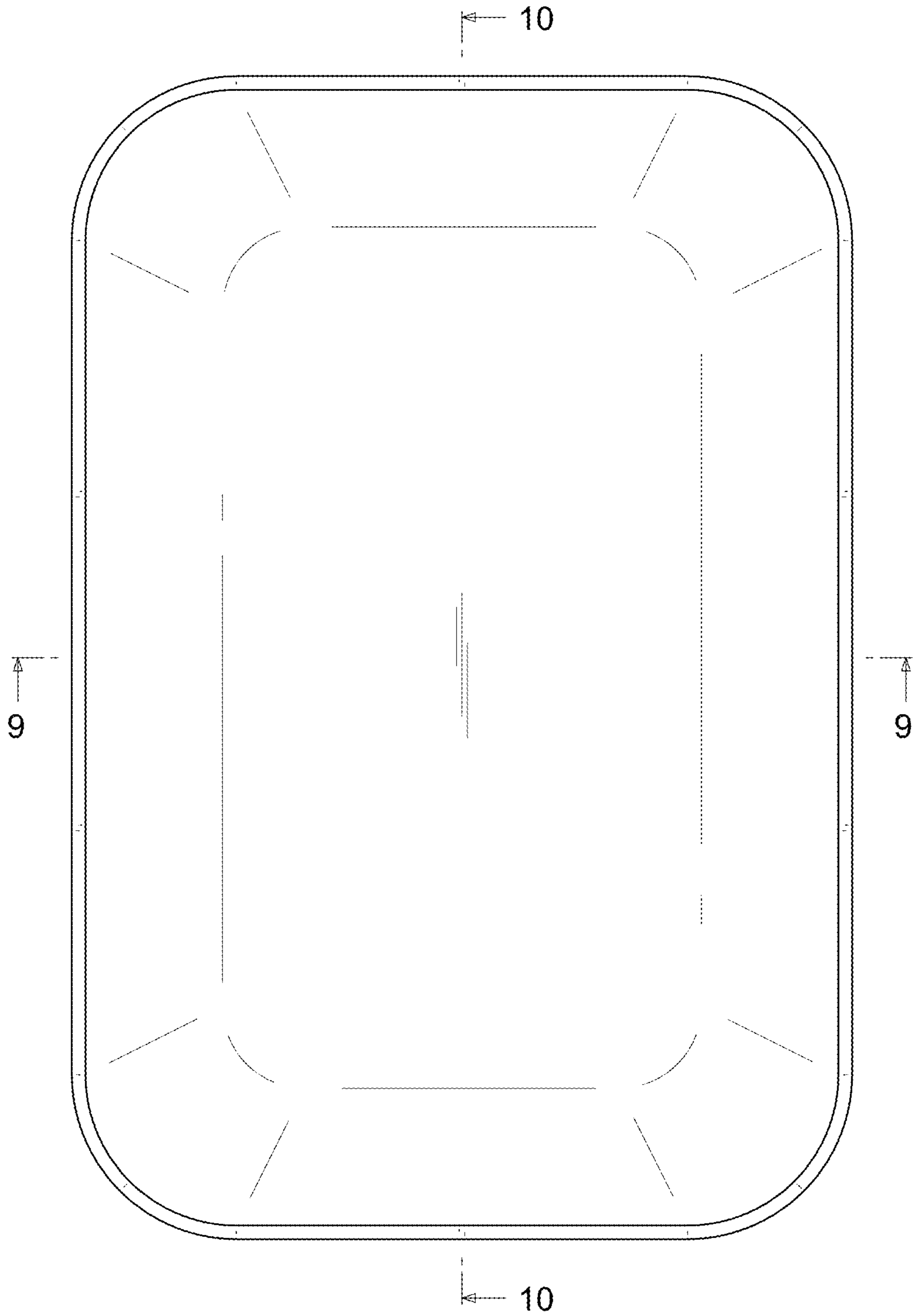


FIG. 7

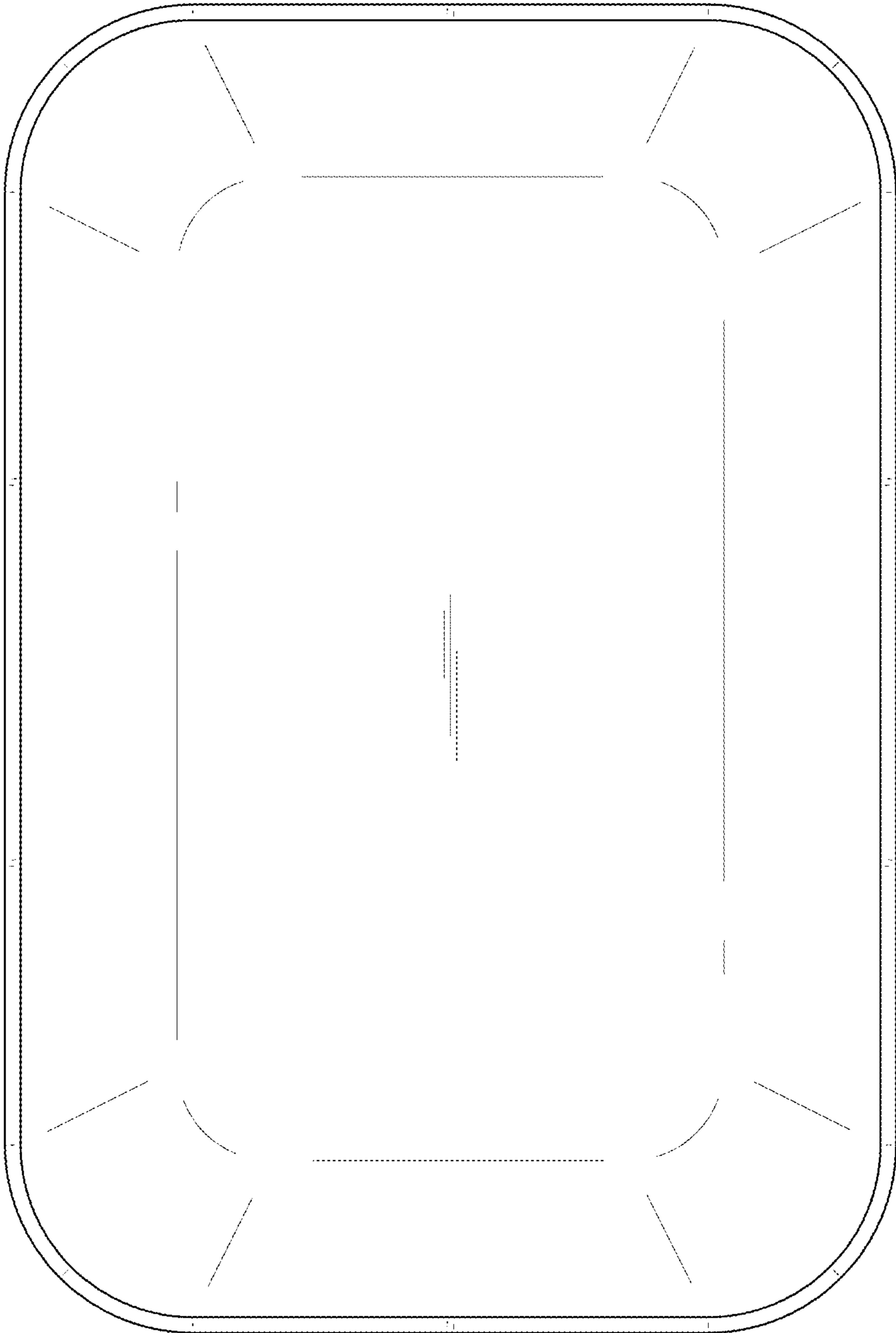


FIG. 8

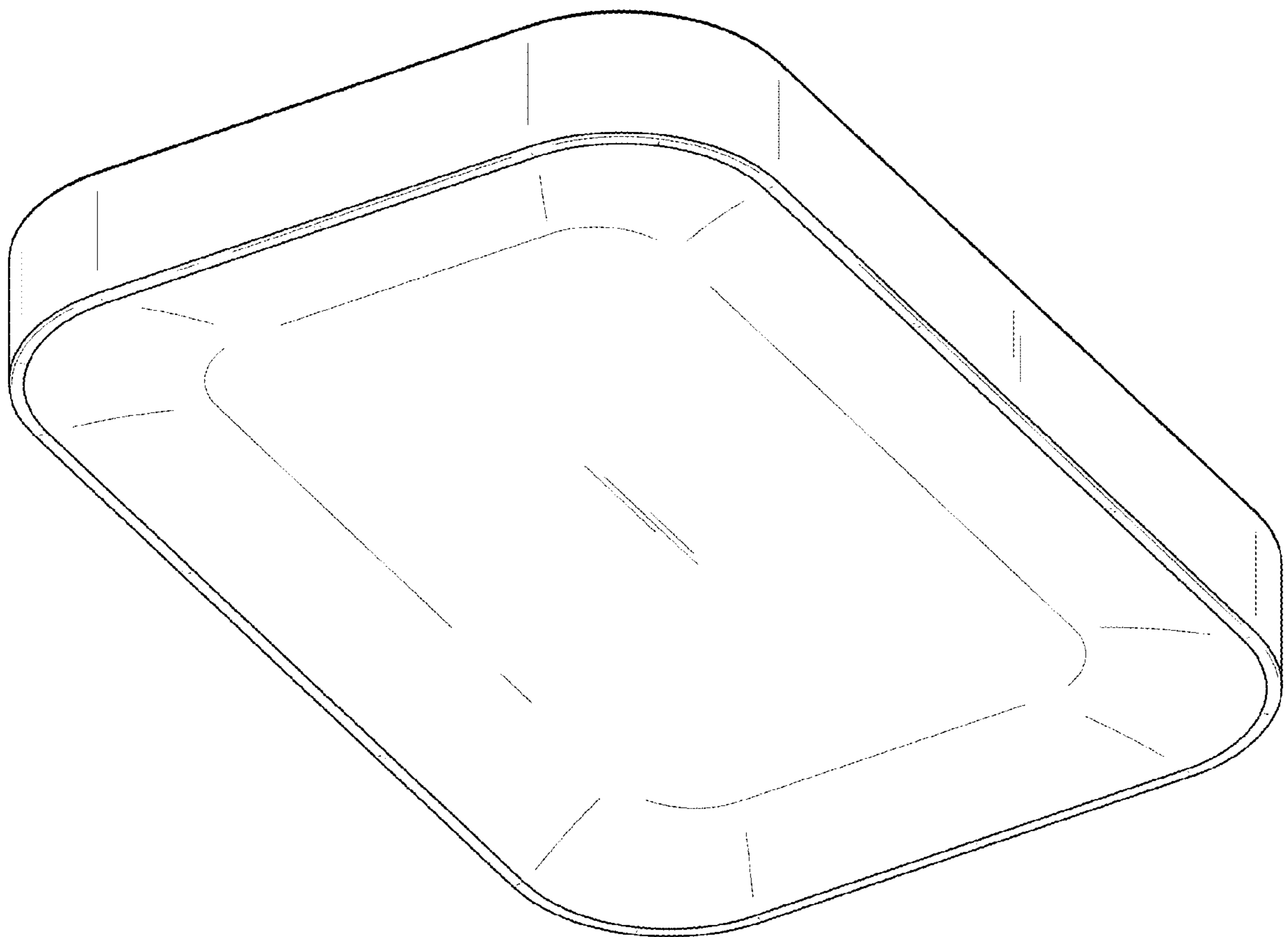


FIG. 9

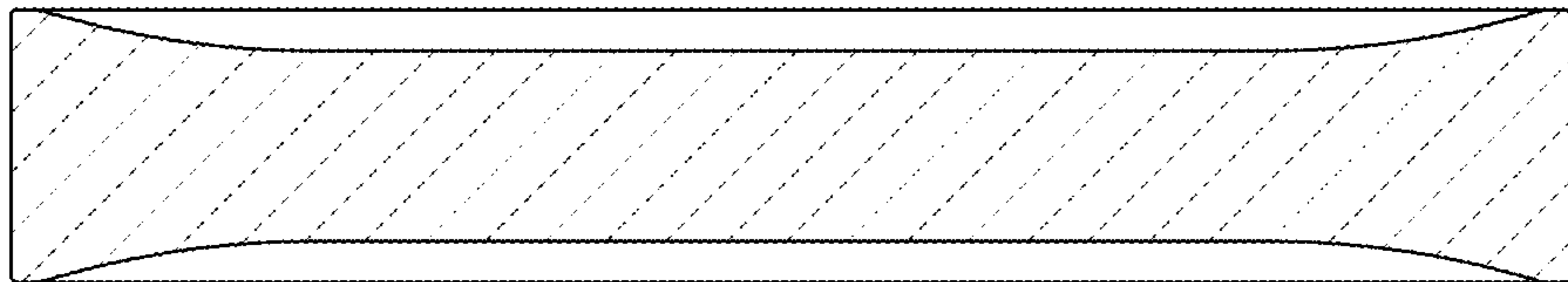


FIG. 10

