



US00D954705S

(12) **United States Design Patent**
Shim

(10) **Patent No.:** **US D954,705 S**

(45) **Date of Patent:** **** Jun. 14, 2022**

(54) **SOLID STATE DRIVE MEMORY DEVICE**

(71) Applicant: **SAMSUNG ELECTRONICS CO., LTD.**, Suwon-si (KR)

(72) Inventor: **Hyung-Sup Shim**, Suwon-si (KR)

(73) Assignee: **SAMSUNG ELECTRONICS CO., LTD.**, Suwon-si (KR)

(**) Term: **15 Years**

(21) Appl. No.: **29/758,907**

(22) Filed: **Nov. 19, 2020**

(30) **Foreign Application Priority Data**

Jul. 9, 2020 (KR) 30-2020-0031431

(51) **LOC (13) Cl.** **14-02**

(52) **U.S. Cl.**
USPC **D14/348**; D14/363

(58) **Field of Classification Search**
USPC D14/341, 345, 348, 353-358, 361-362, D14/370, 383-385, 432-440, 453.1, 474, D14/480, 480.1, 480.3, 480.5, 480.6, D14/480.7, 496, 507, 510-511, 125, 135, D14/155, 203.1, 203.3, 214, 230, 242, D14/299, 240, 402, 407, 408, 300, 308, D14/311, 312, 314; D28/18, 19; D32/32, 33

CPC G06F 1/1632; G06F 1/1684; G06F 3/0673; G06F 3/0674; G06F 11/3044; G06F 13/122; G06F 13/382; G06F 13/385; G06K 19/041; G06K 19/07732; H05K 5/0004; H05K 5/0278; H05K 5/03; H05K 5/00; H05K 5/0043; H05K 5/0047; H05K 5/0052; H05K 5/0217; H05K 5/0243; H05K 5/0286

See application file for complete search history.

(56) **References Cited**

U.S. PATENT DOCUMENTS

D585,439 S * 1/2009 Ching D14/300
D712,351 S * 9/2014 Zeng D13/103
D732,010 S * 6/2015 Hsiau D14/240

(Continued)

FOREIGN PATENT DOCUMENTS

DE 402012002403 9/2013
EM 003804582-0001 5/2017

(Continued)

OTHER PUBLICATIONS

Chuncheng et al., CN Design No. 302489288, published at Orbit, publication date Jul. 3, 2013. Site visited Feb. 7, 2022. Available from internet. (Year: 2013).*

(Continued)

Primary Examiner — Kathleen L Jones

Assistant Examiner — Cole Sanders Holman

(74) *Attorney, Agent, or Firm* — Sughrue Mion, PLLC

(57) **CLAIM**

The ornamental design for a solid state drive memory device, as shown and described.

DESCRIPTION

FIG. 1 is a front perspective view of a solid state drive memory device;

FIG. 2 is a front view thereof;

FIG. 3 is a rear view thereof;

FIG. 4 is a left-side view thereof;

FIG. 5 is a right-side view thereof;

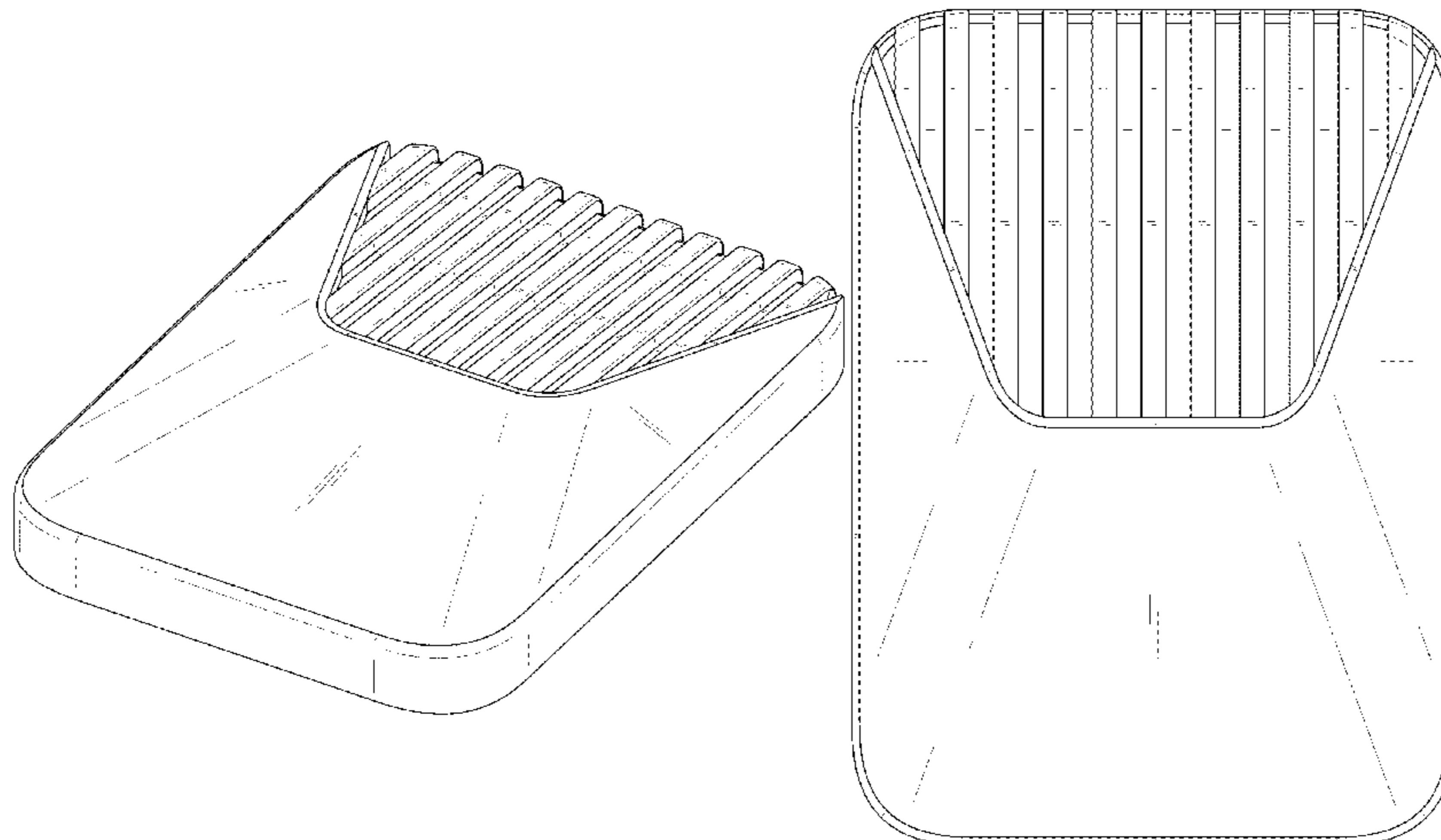
FIG. 6 is a top plan view thereof;

FIG. 7 is a bottom plan view thereof; and,

FIG. 8 is a bottom-rear perspective view thereof.

The evenly dashed broken lines in the figures depict portions of the solid state drive memory device that form no part of the claimed design.

1 Claim, 8 Drawing Sheets



(56)

References Cited

U.S. PATENT DOCUMENTS

D789,358 S * 6/2017 Yang D14/496
 D808,915 S * 1/2018 Wang D14/125
 D860,933 S * 9/2019 Sun D13/108
 D861,671 S * 10/2019 Collins D14/300
 D869,411 S * 12/2019 Wang D14/125
 D873,819 S 1/2020 Harsacky
 D888,660 S * 6/2020 Jen D13/103
 D896,176 S * 9/2020 Wang D13/103
 D898,668 S * 10/2020 Jang D13/108
 D922,379 S * 6/2021 Huang D14/363
 D928,768 S * 8/2021 Chung D14/250
 D931,243 S * 9/2021 Walter D14/125
 2015/0054336 A1 * 2/2015 Xinfang B60R 16/033
 307/9.1
 2016/0278492 A1 * 9/2016 Morszeck B32B 9/025

FOREIGN PATENT DOCUMENTS

EM 005246584-0001 5/2018
 EM 006935656-0002 10/2019

OTHER PUBLICATIONS

External Hard Drive 500GB Ultra Slim. UnionSine, amazon.com (online) 12 pages. Posted Mar. 31, 2021. [Retrieved Feb. 7, 2022] https://www.amazon.com/dp/B091FS79T8/ref=cm_sw_em_r_mt_dp_JBRJQ97SCAGJCT0S1ZZX?_encoding=UTF8&psc=1 (Year: 2021).*

Amcrest USB C Power Bank. Amcrest, amazon.com (online) 10 pages. Posted Mar. 2, 2021. [Retrieved Feb. 7, 2022] https://www.amazon.com/dp/B08XDH5XN9/ref=cm_sw_em_r_mt_dp_TG3P8GJDXJKE6QNT8QGA?_encoding=UTF8&psc=1 (Year: 2021).*

* cited by examiner

FIG. 1

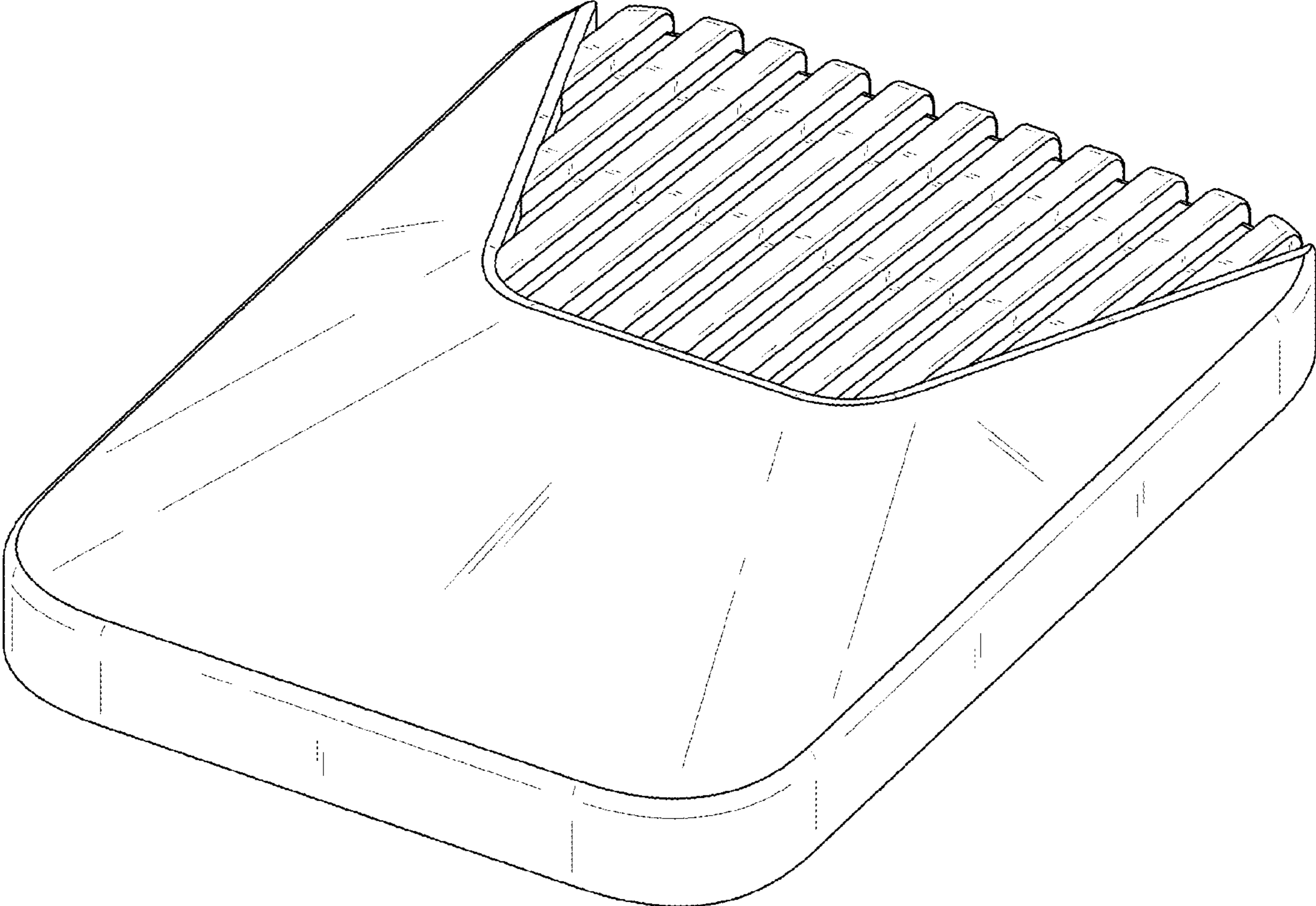


FIG. 2

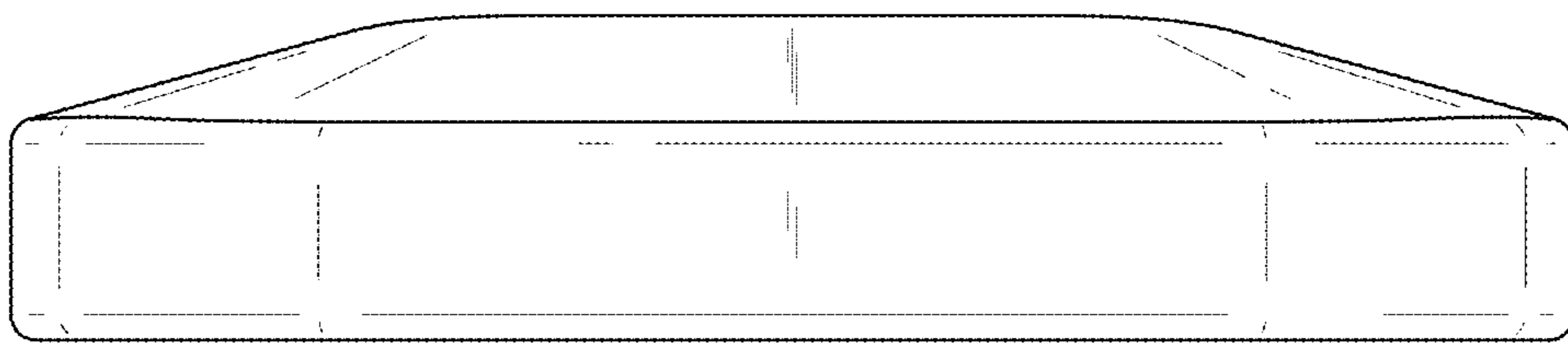


FIG. 3

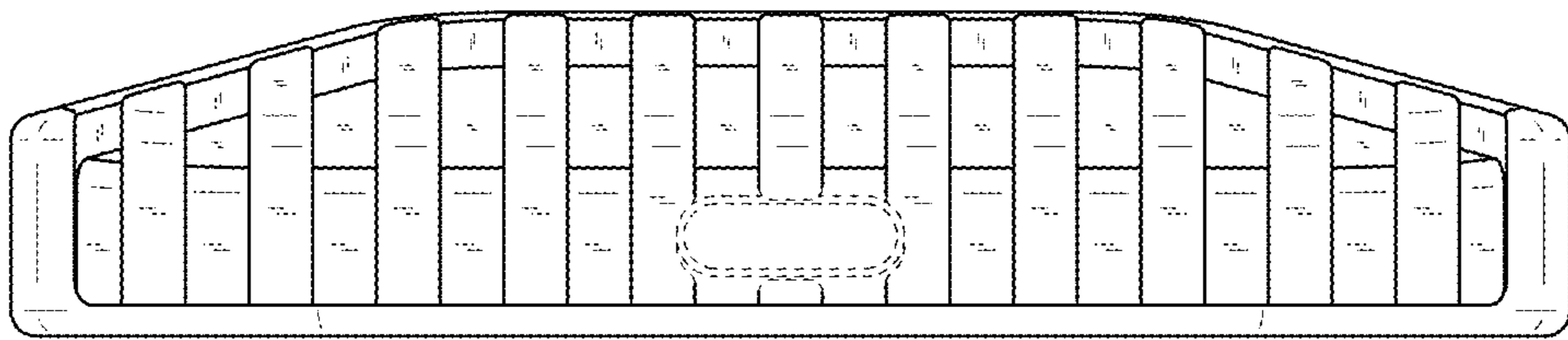


FIG. 4

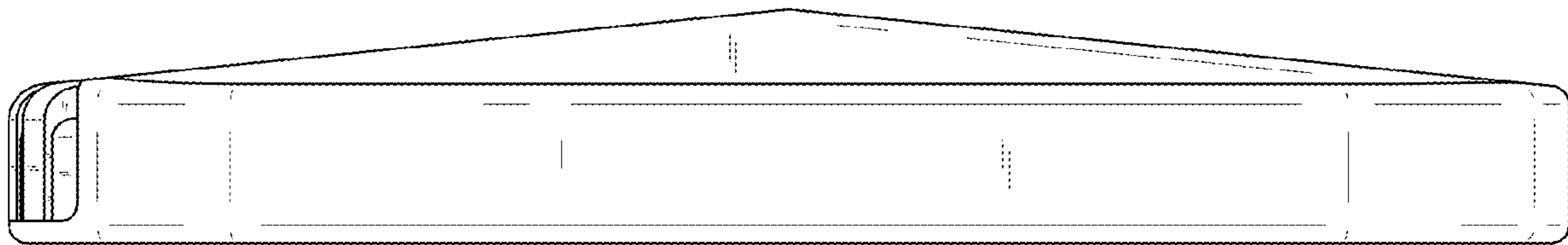


FIG. 5

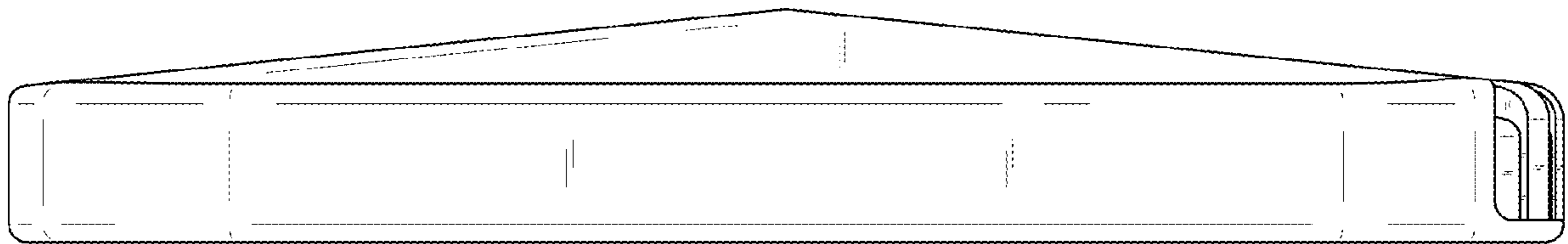


FIG. 6

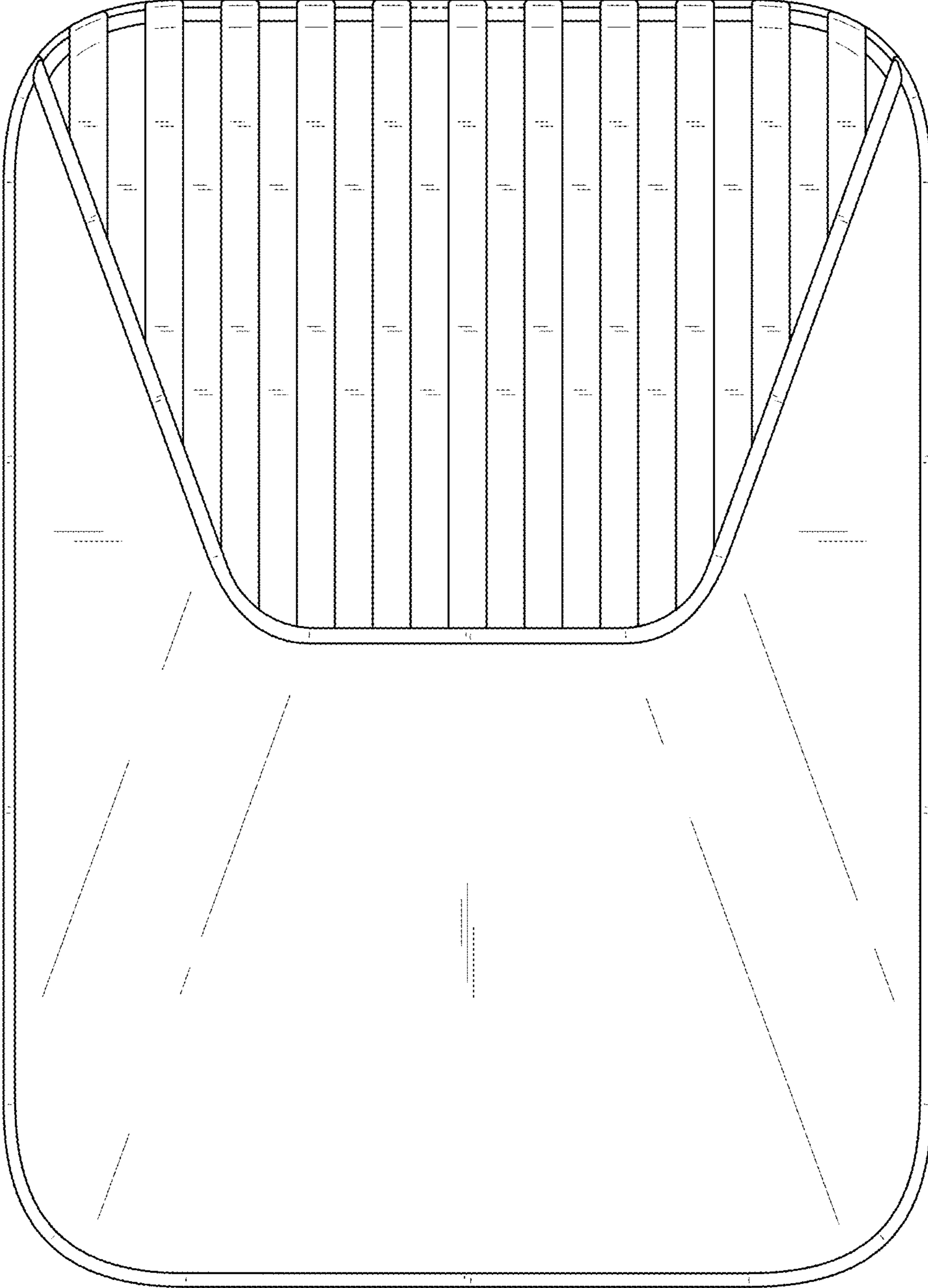


FIG. 7

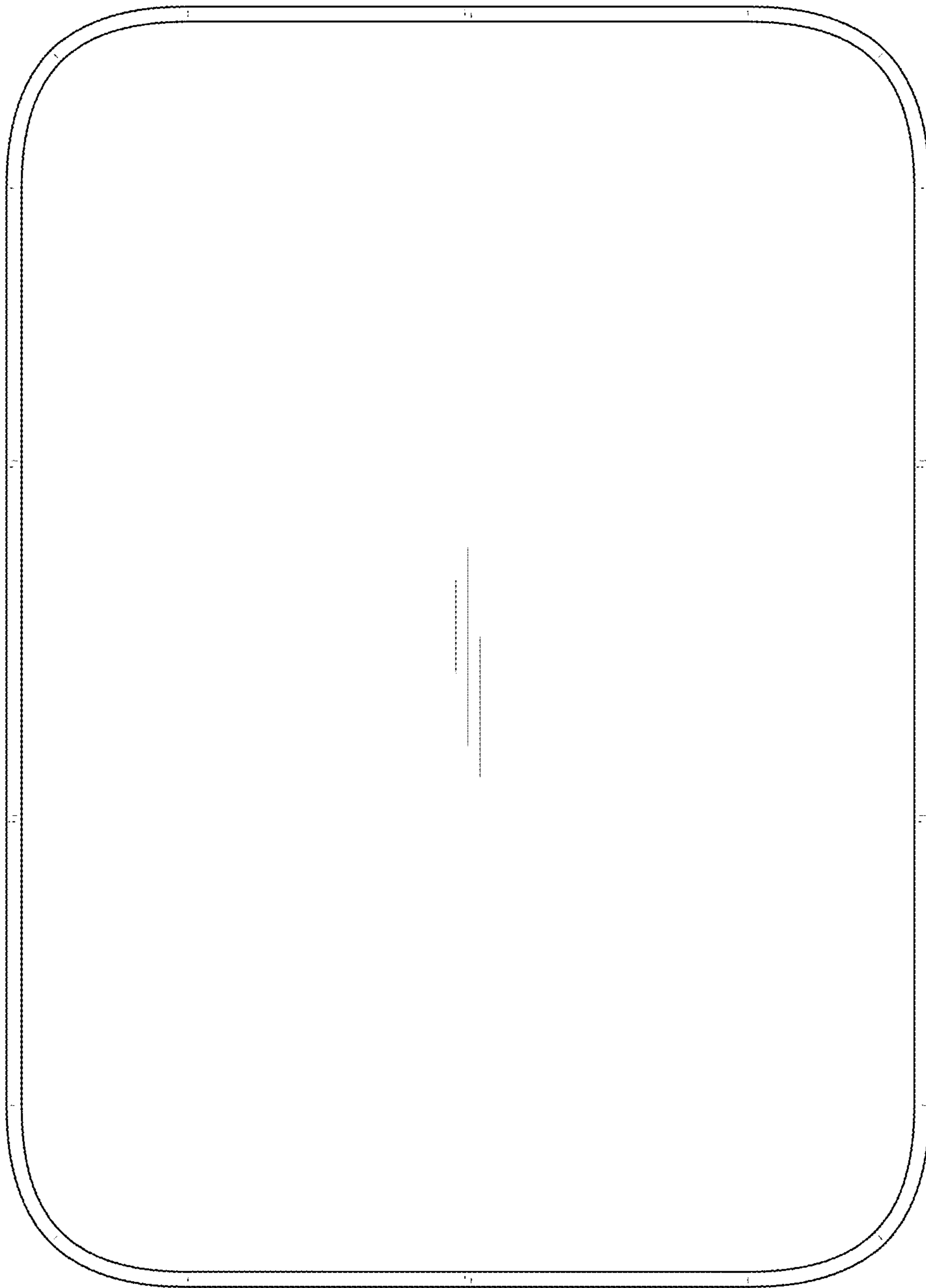


FIG. 8

