



US00D954701S

(12) **United States Design Patent**
DeMaio

(10) **Patent No.:** **US D954,701 S**
(45) **Date of Patent:** **** Jun. 14, 2022**

(54) **TWO-SIDED MAGNETICALLY CONNECTIBLE MOBILE DEVICE**

1/0268; H04M 1/0235; A61B 2560/0271;
A61B 2560/0431; H01R 24/68

See application file for complete search history.

(71) Applicant: **Robert Charles DeMaio**, Incline Village, NV (US)

(56) **References Cited**

(72) Inventor: **Robert Charles DeMaio**, Incline Village, NV (US)

U.S. PATENT DOCUMENTS

(**) Term: **15 Years**

(21) Appl. No.: **29/788,856**

(22) Filed: **Aug. 5, 2021**

7,408,698	B2 *	8/2008	Kuo	G02F 1/16757 359/296
9,541,962	B2 *	1/2017	Siddiqui	E05D 1/00
D787,467	S *	5/2017	Xu	D14/138 C
D788,773	S *	6/2017	Seo	D14/345
D788,774	S *	6/2017	Seo	D14/345
D851,054	S *	6/2019	Nalbandian	D14/138 G
D870,690	S *	12/2019	Xiao	D14/138 R
D896,198	S *	9/2020	Nalbandian	D14/138 G
10,831,244	B1 *	11/2020	DeMaio	G06F 1/1656
D918,898	S *	5/2021	DeMaio	D14/341
2015/0316959	A1 *	11/2015	Senatori	G06F 1/1618 345/169

Related U.S. Application Data

(60) Continuation-in-part of application No. 29/769,530, filed on Feb. 5, 2021, now Pat. No. Des. 928,778, which is a division of application No. 29/706,209, filed on Sep. 18, 2019, now Pat. No. Des. 918,898.

(Continued)

Primary Examiner — Samantha Q Lawrence

Assistant Examiner — Holly M Rodriguez

(74) *Attorney, Agent, or Firm* — Tatonetti IP

(51) **LOC (13) Cl.** **14-02**

(52) **U.S. Cl.**
USPC **D14/341**

(57) **CLAIM**

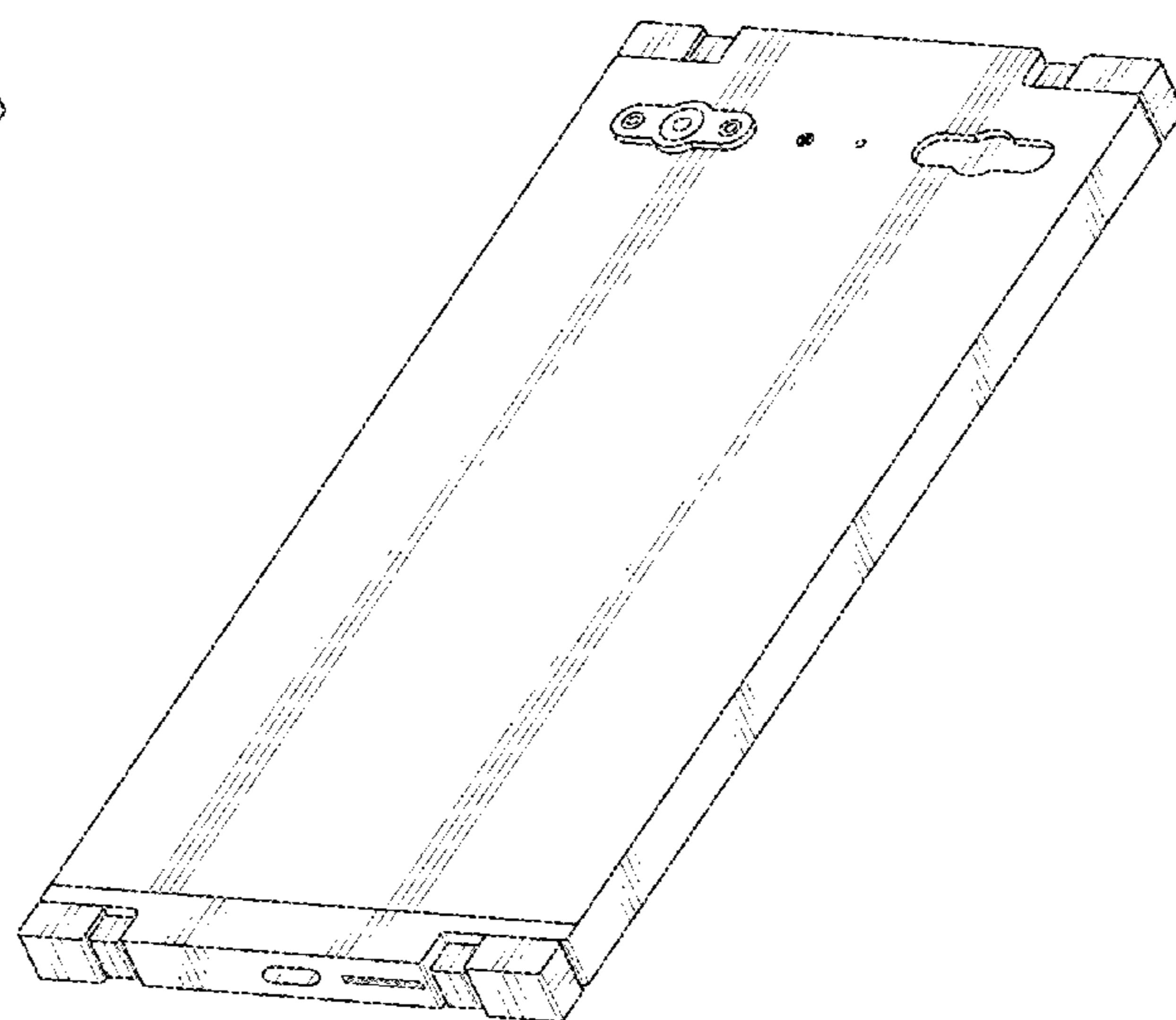
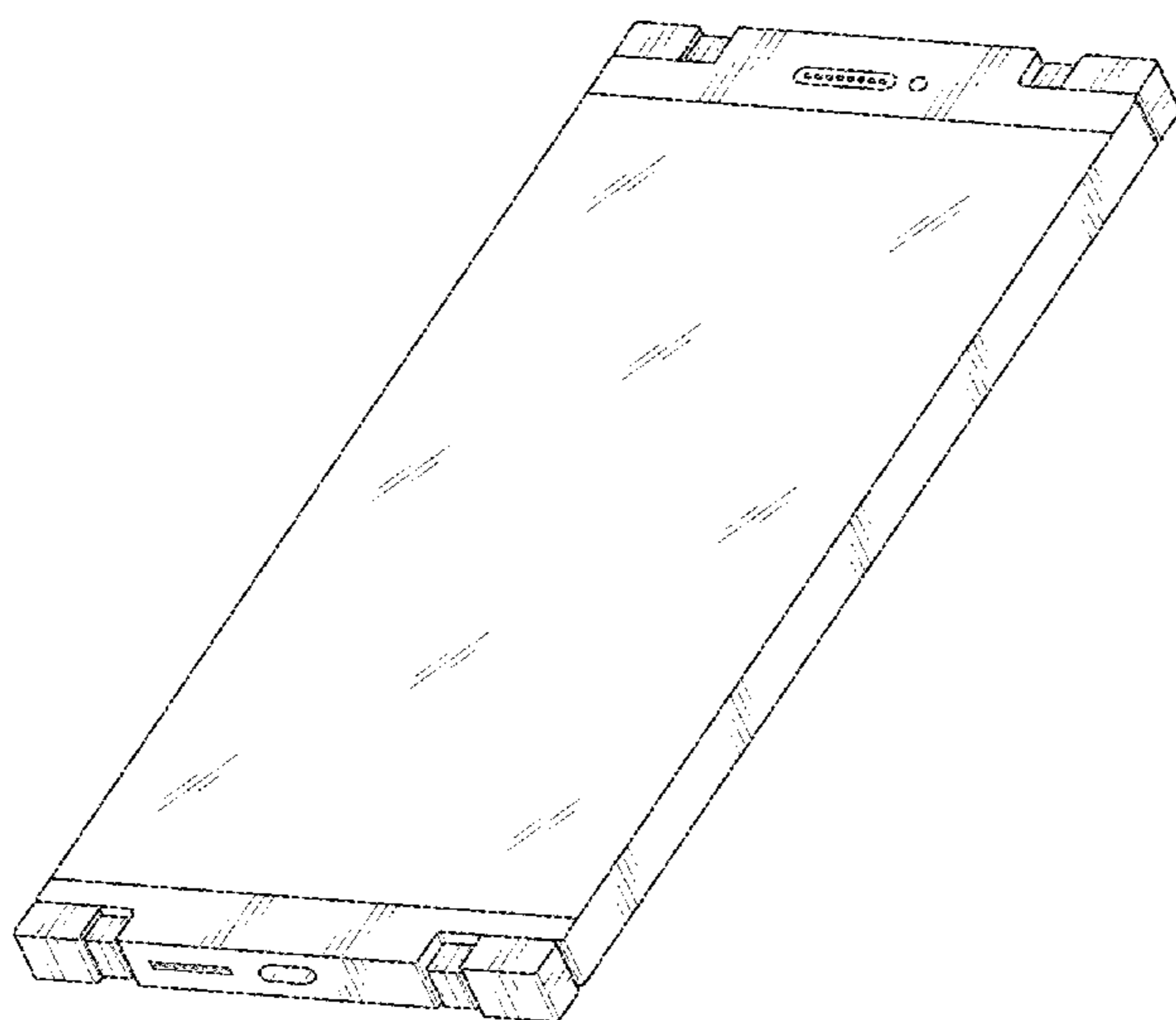
(58) **Field of Classification Search**
USPC D14/341, 315–318, 371, 374, 388–389, D14/138 G, 138 R, 138 AD, 138 C, D14/138 AA, 496, 203, 129–130, 137, D14/138 AB, 138 AC, 147, 155, 168, D14/203.1–203.8, 218, 240, 247–248, D14/299, 342–347, 356–358, 400–401, D14/420–421, 426, 429, 432, 453–454; D21/330, 324, 329, 332; D13/103; D10/104.1, 50, 65; D18/6–7; D19/25; D20/11, 22; D3/212, 247; D6/308, 310
CPC G06F 1/1613; G06F 1/1626; G06F 3/0488; G06F 3/041; G06F 3/0412; G06F 3/0416; G06F 3/04886; G06F 1/1616; G06F 1/1643; G06F 1/1647; G06F 1/1652; G06Q 10/10; G09F 9/301; H04M 1/0202; H04M 1/0266; H04M 1/725; H04M

I claim the ornamental design for a two-sided magnetically connectible mobile device, as shown and described.

DESCRIPTION

FIG. 1 is a front, bottom, right perspective view of a two-sided magnetically connectible mobile device according to a first embodiment, showing my new design; FIG. 2 is a rear, bottom, left perspective view thereof; FIG. 3 is a front elevation view thereof; FIG. 4 is a rear elevation view thereof; FIG. 5 is a right elevation view thereof; FIG. 6 is a left elevation view thereof; FIG. 7 is a top plan view thereof; and, FIG. 8 is a bottom plan view thereof.

1 Claim, 7 Drawing Sheets



(56)

References Cited

U.S. PATENT DOCUMENTS

2015/0378397 A1* 12/2015 Park G06F 1/1652
361/679.27
2021/0081008 A1* 3/2021 DeMaio G06F 1/1656
2021/0173447 A1* 6/2021 Ku G06F 1/1643
2021/0216106 A1* 7/2021 Soh G09F 9/301

* cited by examiner

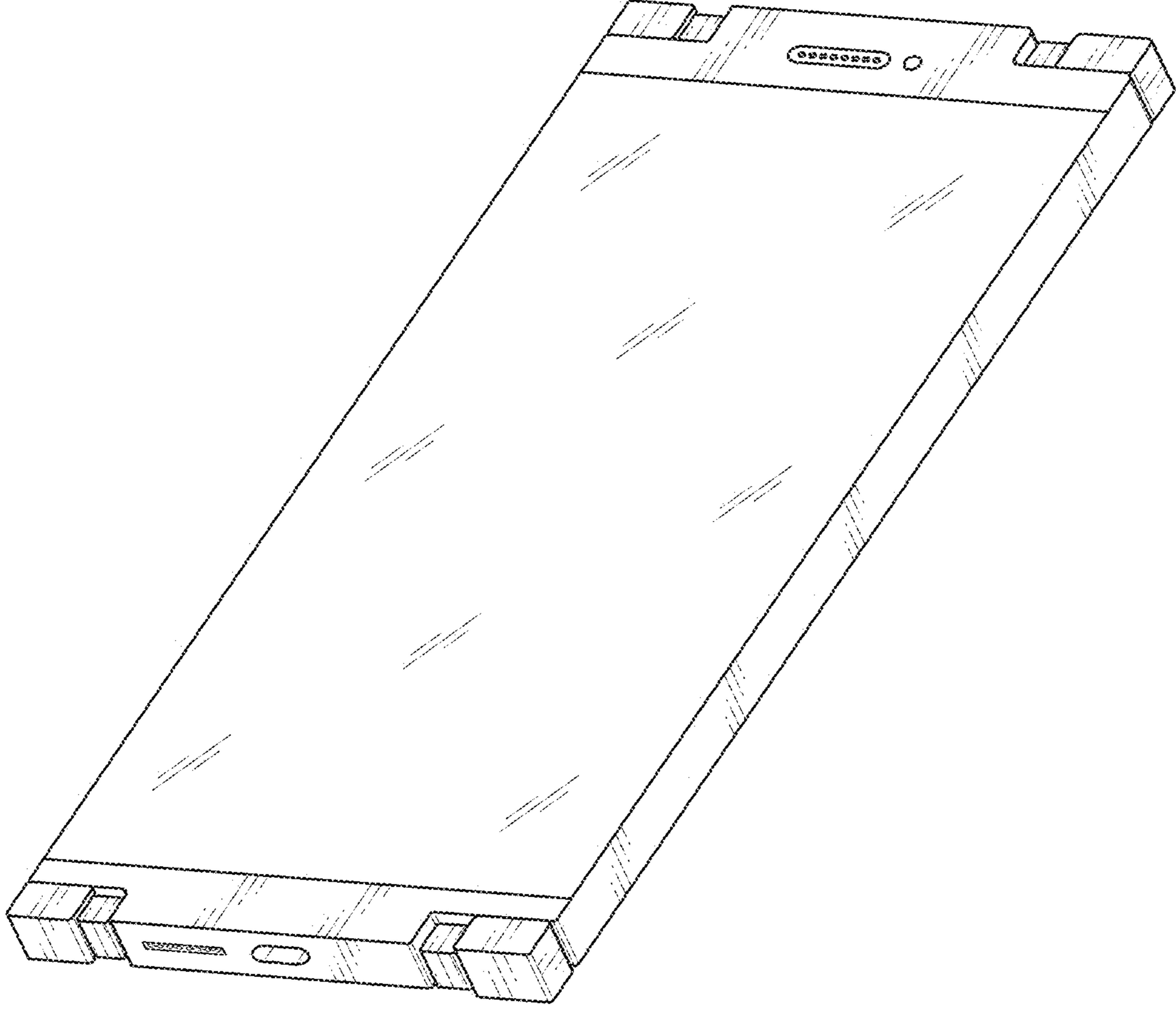


FIG. 1

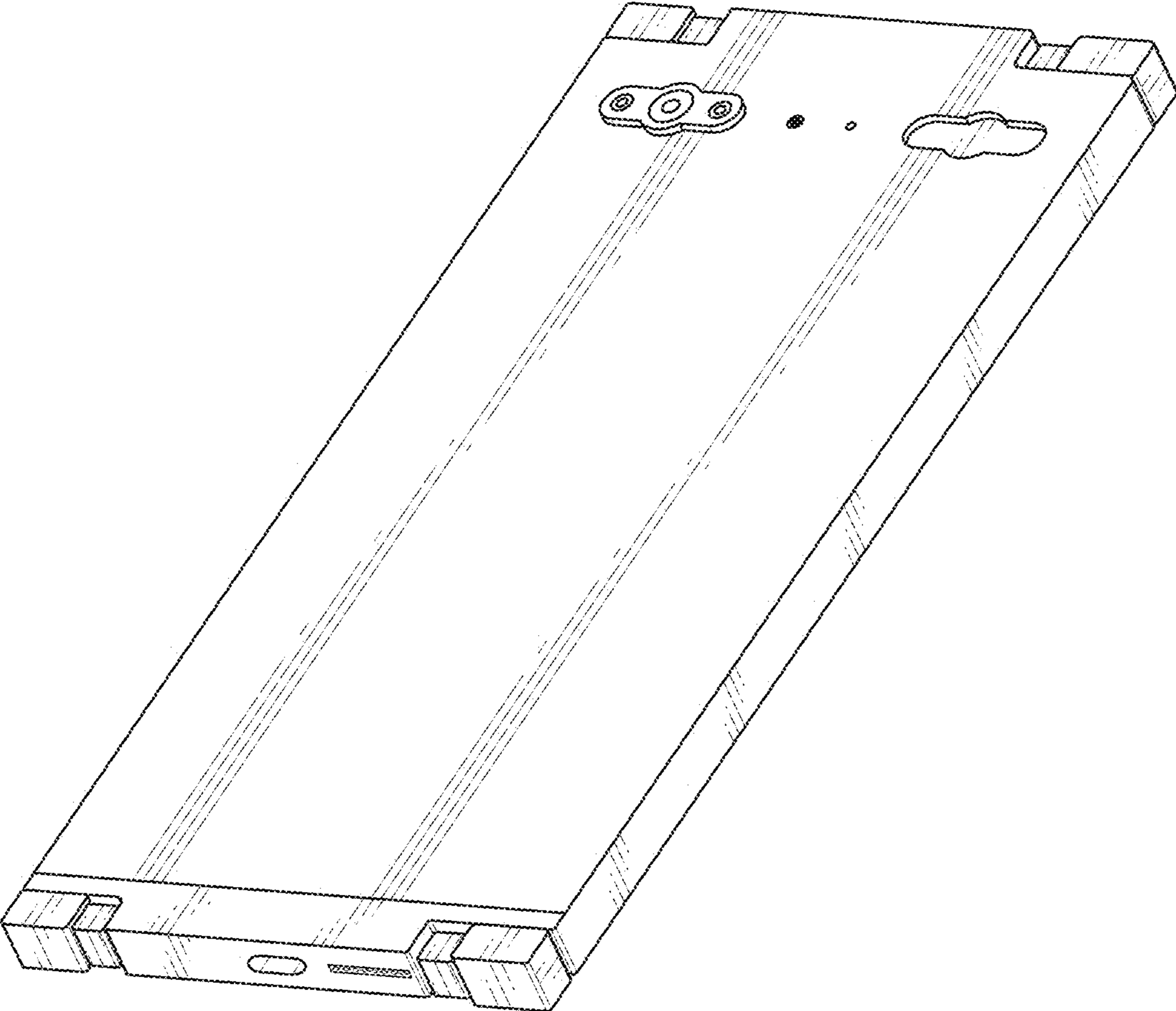


FIG. 2

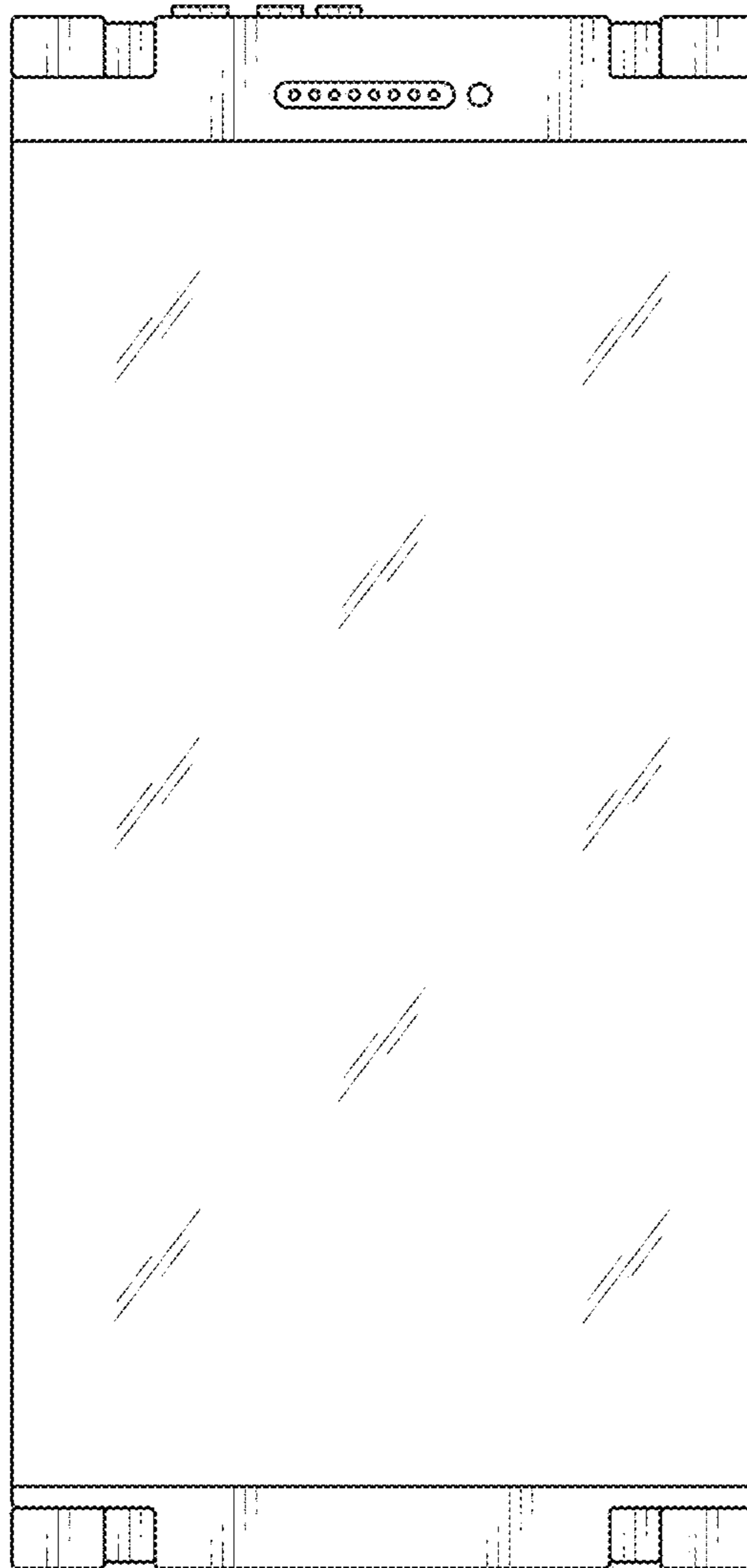


FIG. 3

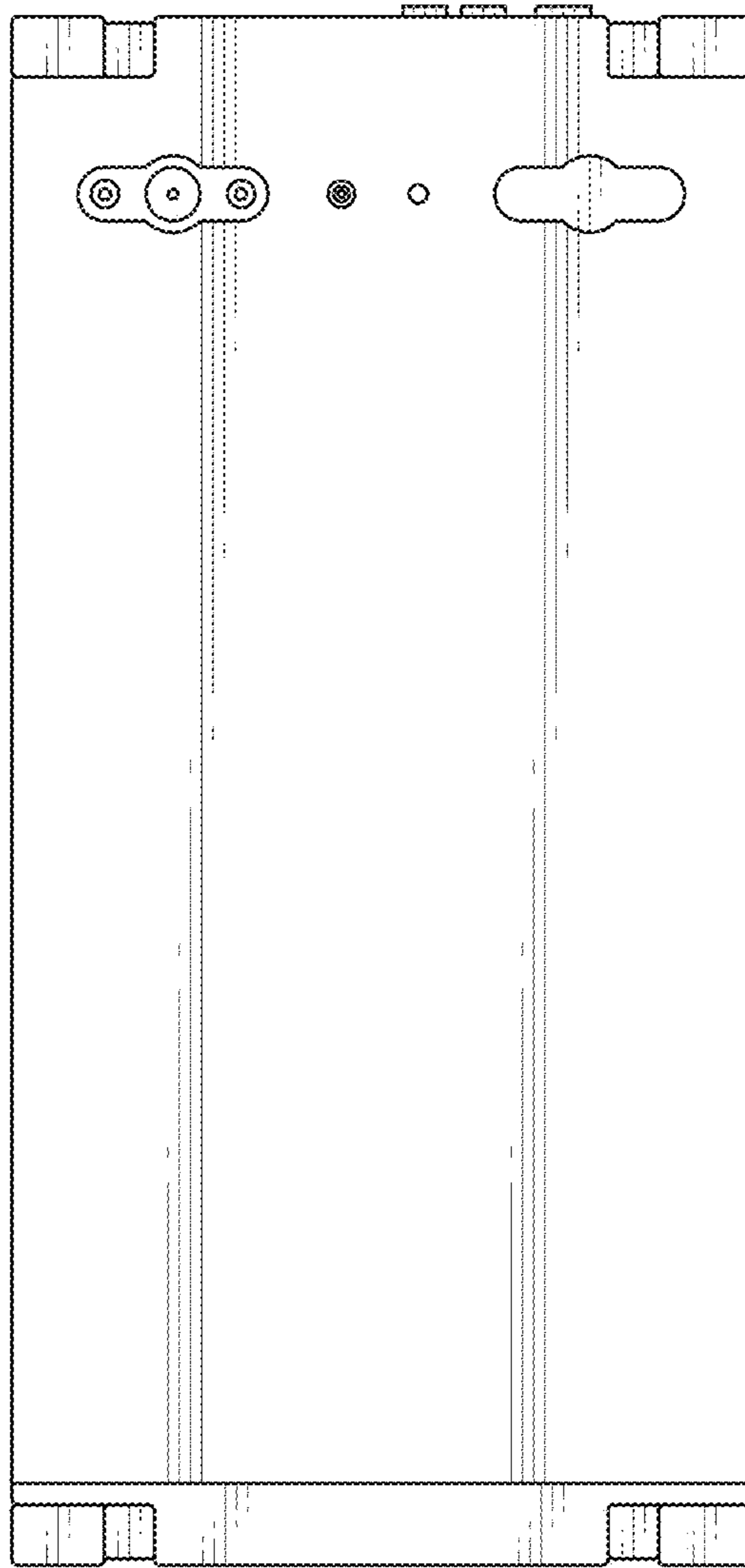


FIG. 4



FIG. 5



FIG. 6

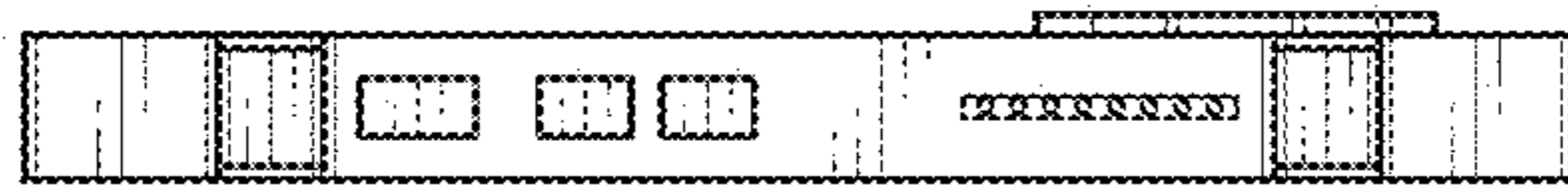


FIG. 7



FIG. 8