



US00D954700S

(12) **United States Design Patent**  
**DeMaio**

(10) **Patent No.:** **US D954,700 S**  
(45) **Date of Patent:** **\*\* Jun. 14, 2022**

(54) **MAGNETICALLY CONNECTIBLE MOBILE DEVICE**

(71) Applicant: **Robert Charles DeMaio**, Incline Village, NV (US)

(72) Inventor: **Robert Charles DeMaio**, Incline Village, NV (US)

(\*\*) Term: **15 Years**

(21) Appl. No.: **29/788,855**

(22) Filed: **Aug. 5, 2021**

**Related U.S. Application Data**

(60) Continuation-in-part of application No. 29/769,530, filed on Feb. 5, 2021, now Pat. No. Des. 928,778, which is a division of application No. 29/706,209, filed on Sep. 18, 2019, now Pat. No. Des. 918,898.

(51) **LOC (13) Cl.** ..... **14-02**

(52) **U.S. Cl.**  
USPC ..... **D14/341**

(58) **Field of Classification Search**  
USPC ..... D14/341, 315-318, 371, 374, 388-389, D14/138 G, 138 R, 138 AD, 138 C, D14/138 AA, 496, 203, 129-130, 137, D14/138 AB, 138 AC, 147, 155, 168, D14/203.1-203.8, 218, 240, 247-248, D14/299, 342-347, 356-358, 400-401, D14/420-421, 426, 429, 432, 453-454; D21/330, 324, 329, 332; D13/103;  
(Continued)

(56) **References Cited**

**U.S. PATENT DOCUMENTS**

7,408,698 B2 \* 8/2008 Kuo ..... G02F 1/16757  
359/296  
9,541,962 B2 \* 1/2017 Siddiqui ..... E05D 1/00  
D787,467 S \* 5/2017 Xu ..... D14/138 C

(Continued)

**OTHER PUBLICATIONS**

The Light Phone II Minimalistic Cell Phone | Gray, sportique.com, [online], [site visited Dec. 5, 2021], Available from internet URL: <https://www.sportique.com/products/the-light-phone-gray?currency=USD&variant=31426984411159> (Year: 2021).\*

*Primary Examiner* — Samantha Q Lawrence  
*Assistant Examiner* — Holly M Rodriguez  
(74) *Attorney, Agent, or Firm* — Tatonetti IP

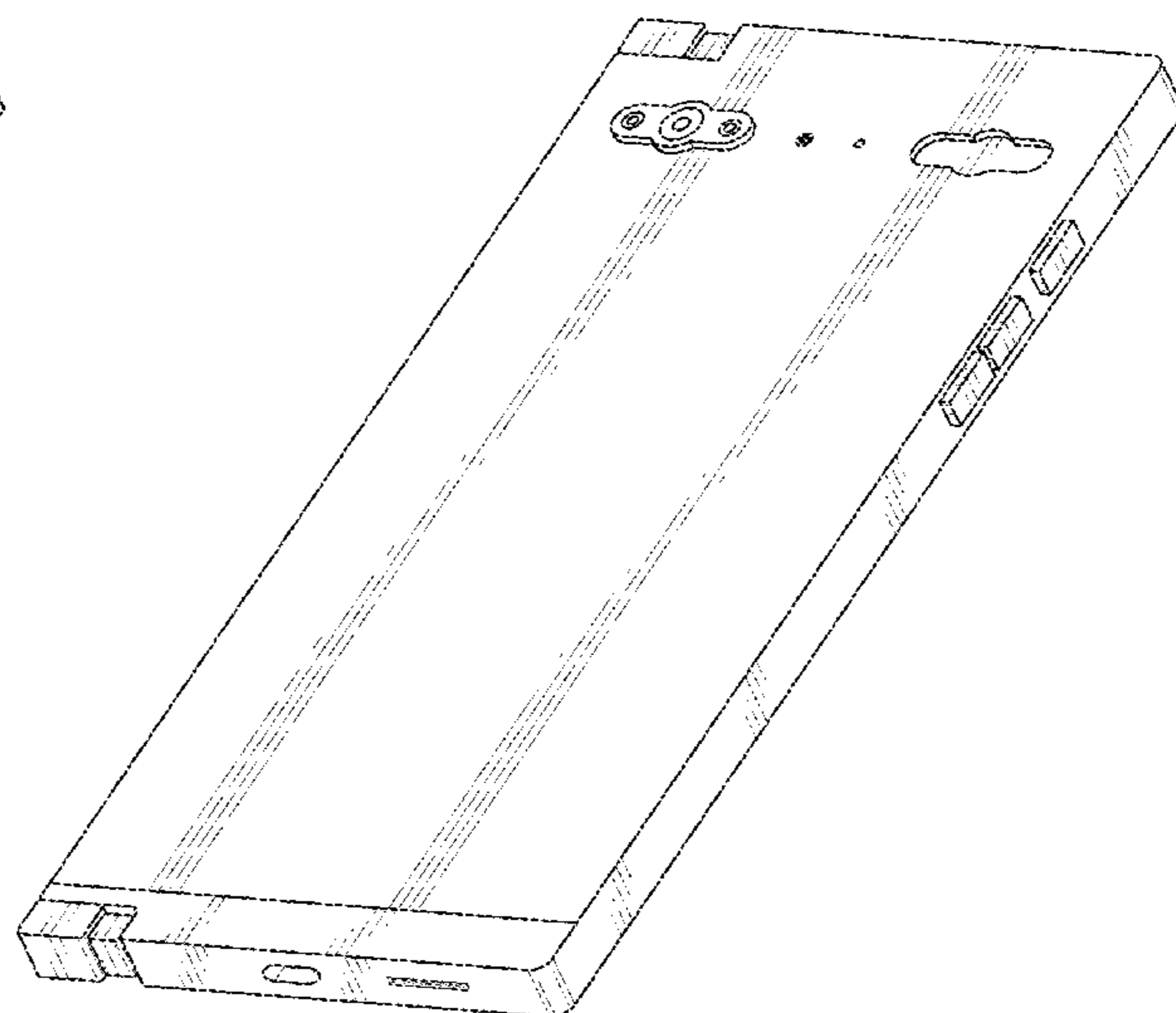
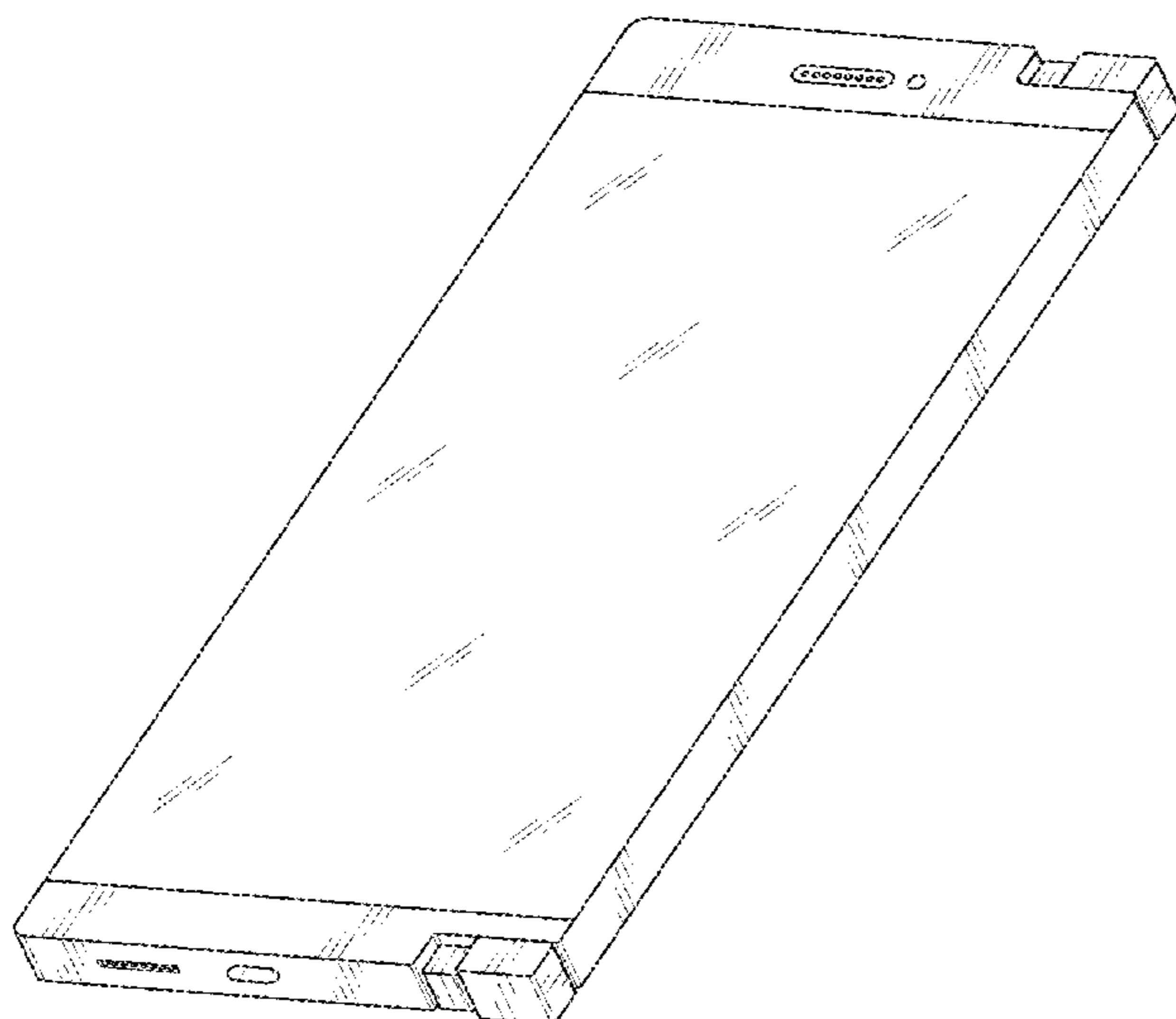
(57) **CLAIM**

I claim the ornamental design for a magnetically connectible mobile device, as shown and described.

**DESCRIPTION**

FIG. 1 is a front, bottom, right perspective view of a magnetically connectible mobile device according to a first embodiment, showing my new design;  
FIG. 2 is a rear, bottom, left perspective view thereof;  
FIG. 3 is a front elevation view thereof;  
FIG. 4 is a rear elevation view thereof;  
FIG. 5 is a right elevation view thereof;  
FIG. 6 is a left elevation view thereof;  
FIG. 7 is a top plan view thereof;  
FIG. 8 is a bottom plan view thereof;  
FIG. 9 is a front, bottom, left perspective view thereof according to a second embodiment, showing my new design;  
FIG. 10 is a rear, bottom, left perspective view thereof;  
FIG. 11 is a front elevation view thereof;  
FIG. 12 is a rear elevation view thereof;  
FIG. 13 is a right elevation view thereof;  
FIG. 14 is a left elevation view thereof;  
FIG. 15 is a top plan view thereof; and,  
FIG. 16 is a bottom plan view thereof.

**1 Claim, 14 Drawing Sheets**



(58) **Field of Classification Search**

USPC ..... D10/104.1, 50, 65; D18/6-7; D19/25;  
D20/11, 22; D3/212, 247; D6/308, 310  
CPC .... G06F 1/1613; G06F 1/1626; G06F 3/0488;  
G06F 3/041; G06F 3/0412; G06F 3/0416;  
G06F 3/04886; G06F 1/1616; G06F  
1/1643; G06F 1/1647; G06F 1/1652;  
G06Q 10/10; G09F 9/301; H04M 1/0202;  
H04M 1/0266; H04M 1/725; H04M  
1/0268; H04M 1/0235; A61B 2560/0271;  
A61B 2560/0431; H01R 24/68

See application file for complete search history.

(56) **References Cited**

U.S. PATENT DOCUMENTS

D788,773 S \* 6/2017 Seo ..... D14/345  
D788,774 S \* 6/2017 Seo ..... D14/345  
D851,054 S \* 6/2019 Nalbandian ..... D14/138 G  
D870,690 S \* 12/2019 Xiao ..... D14/138 R  
D896,198 S \* 9/2020 Nalbandian ..... D14/138 G  
10,831,244 B1 \* 11/2020 DeMaio ..... G06F 1/1656  
D918,898 S \* 5/2021 DeMaio ..... D14/341  
2015/0316959 A1 \* 11/2015 Senatori ..... G06F 1/1618  
345/169  
2015/0378397 A1 \* 12/2015 Park ..... G06F 1/1652  
361/679.27  
2021/0081008 A1 \* 3/2021 DeMaio ..... G06F 1/1656  
2021/0173447 A1 \* 6/2021 Ku ..... G06F 1/1643  
2021/0216106 A1 \* 7/2021 Soh ..... G09F 9/301

\* cited by examiner

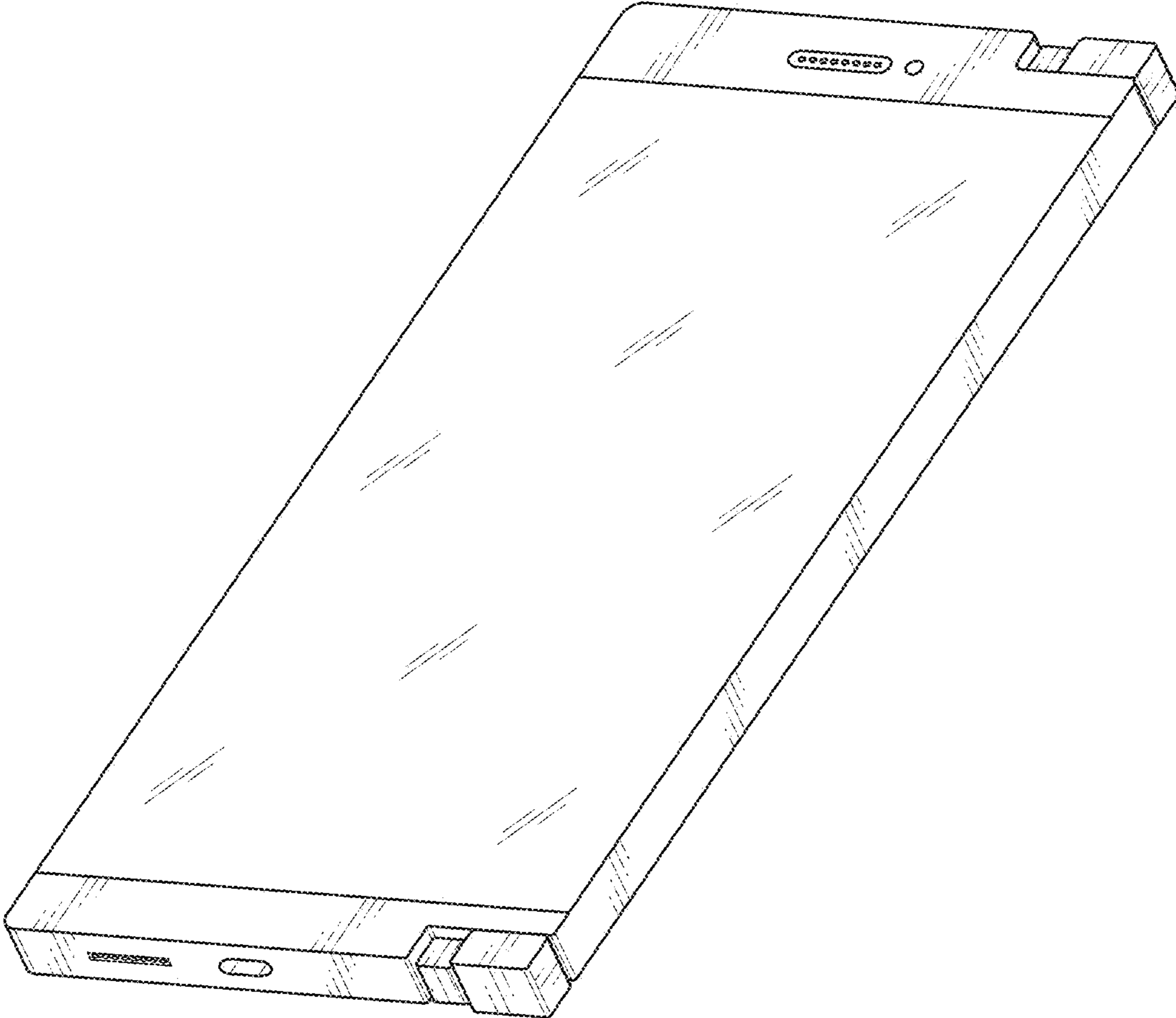


FIG. 1

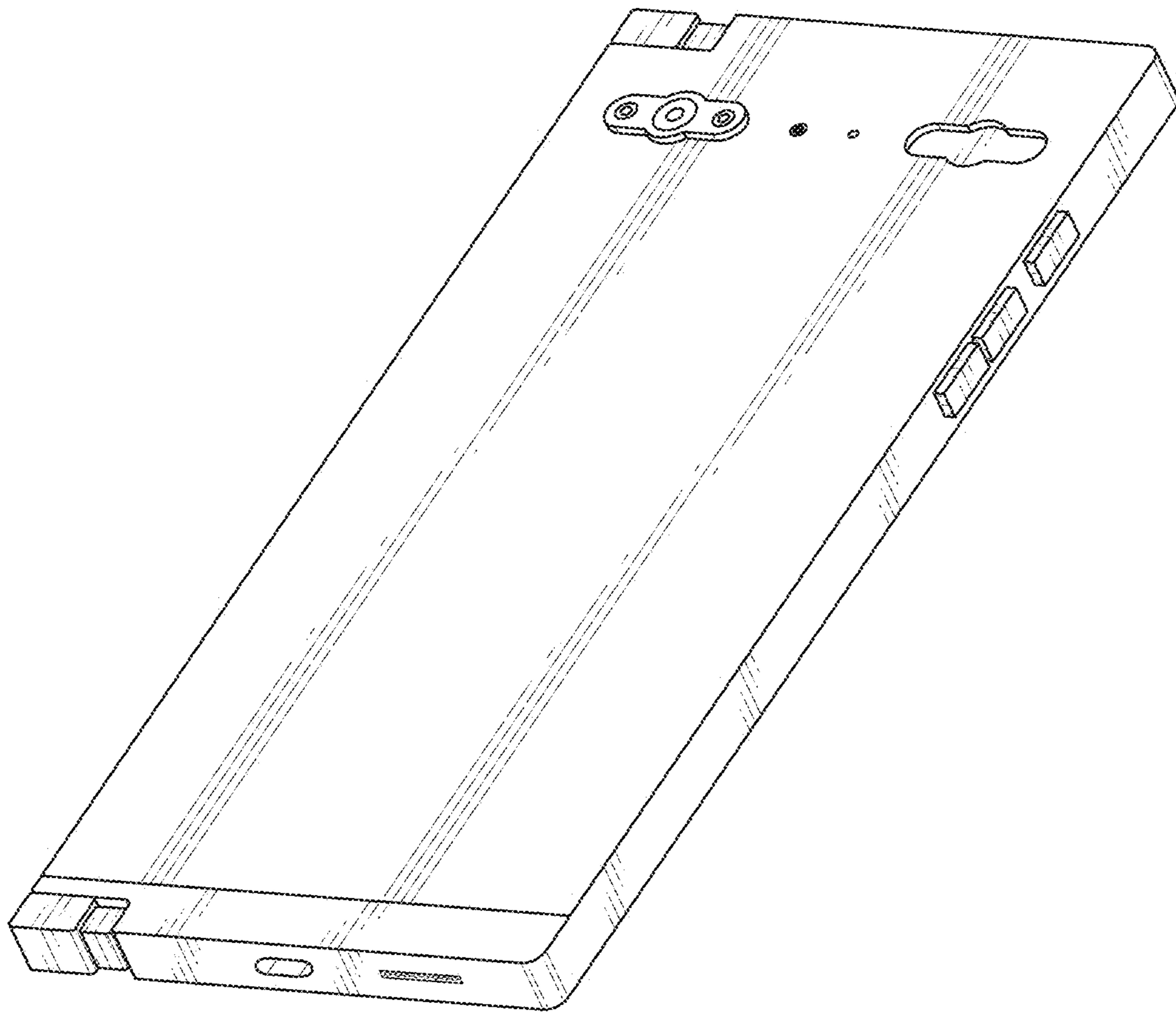


FIG. 2

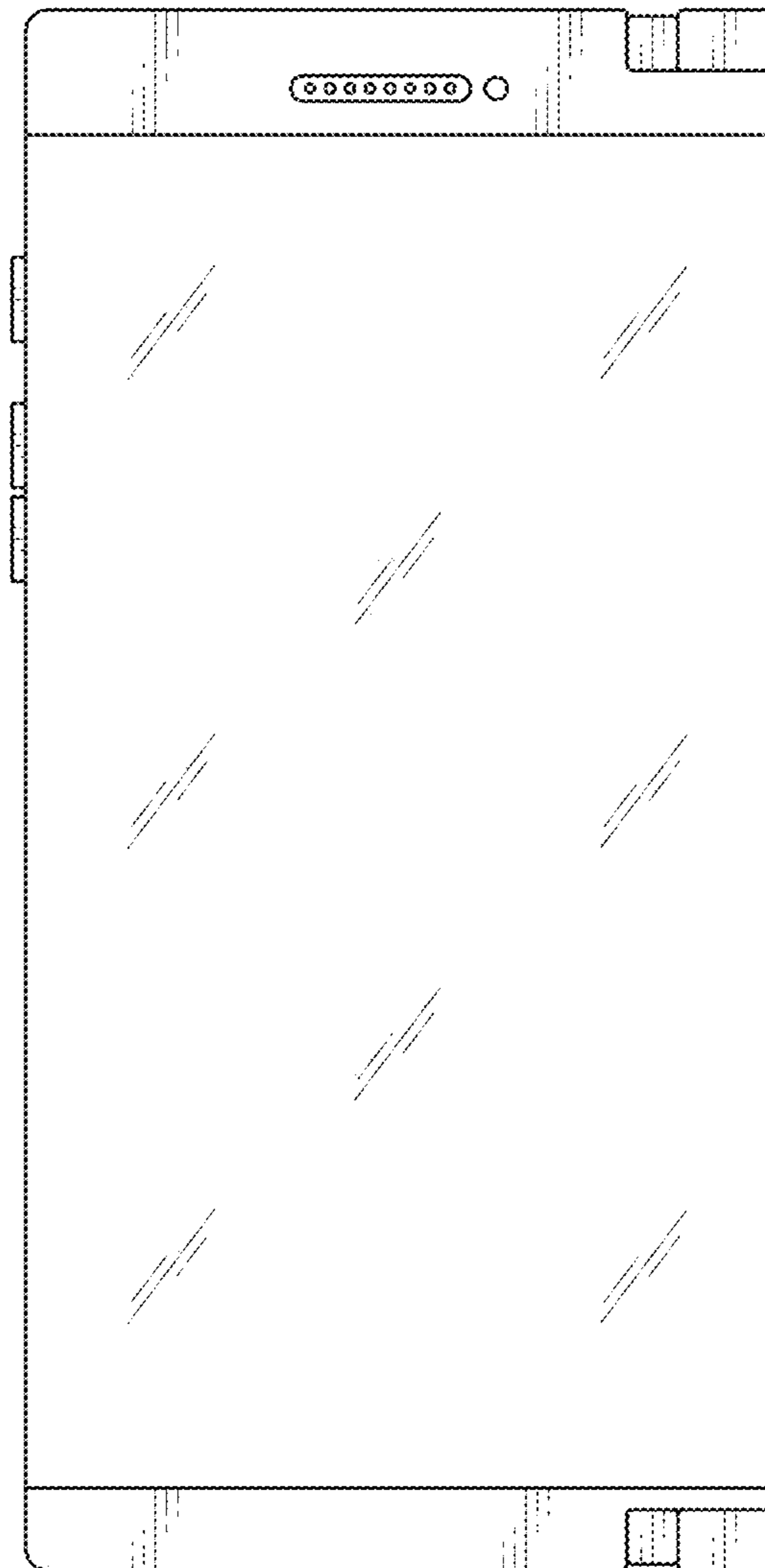


FIG. 3

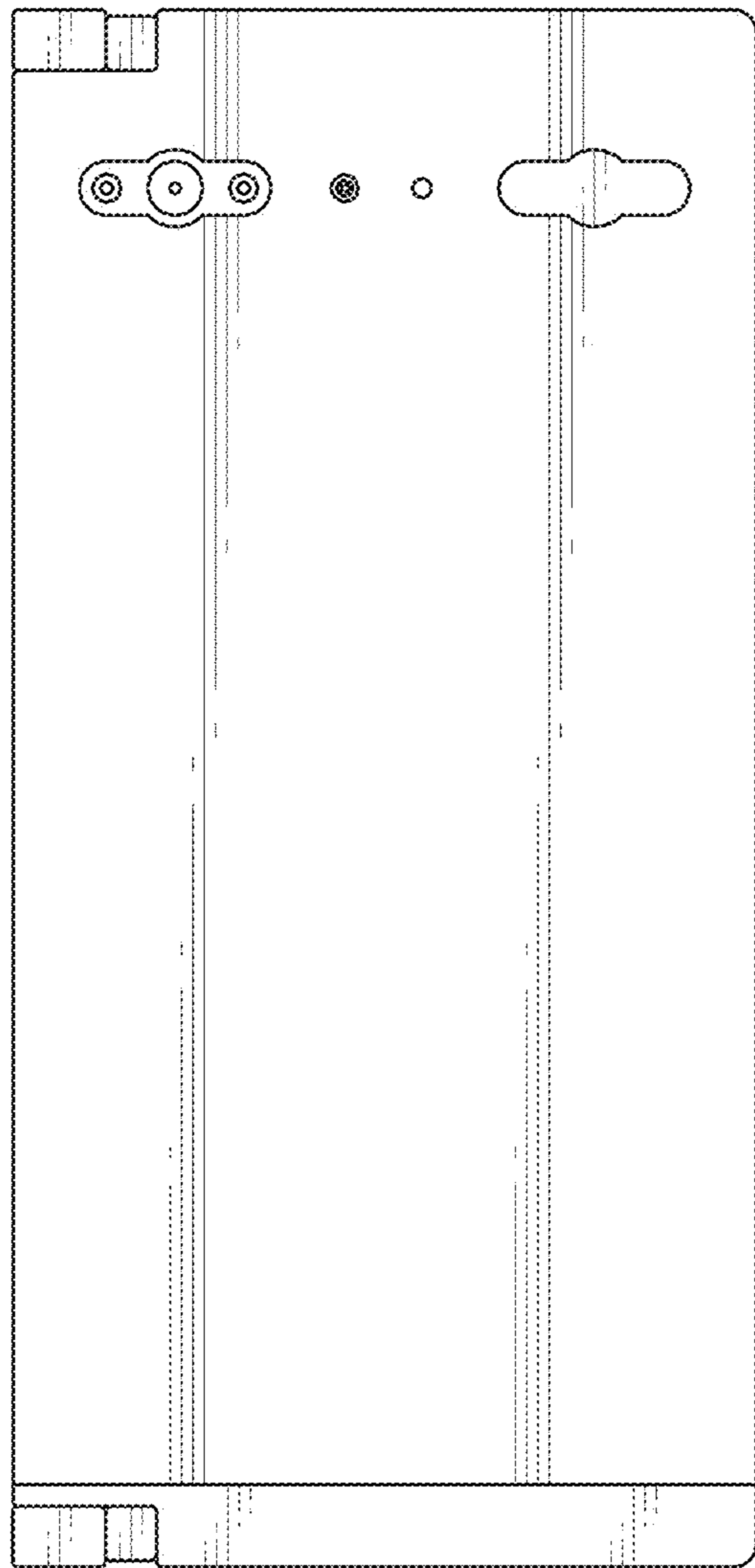


FIG. 4



FIG. 5

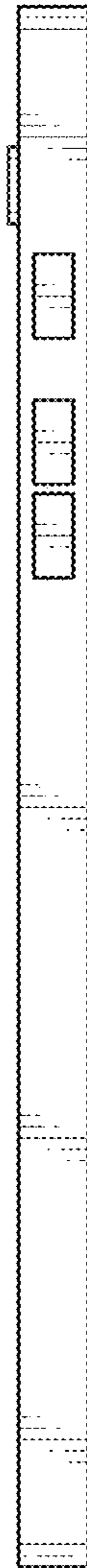


FIG. 6





FIG. 7

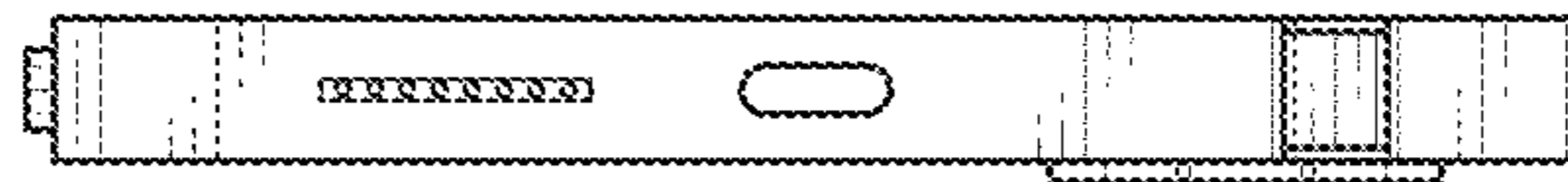


FIG. 8

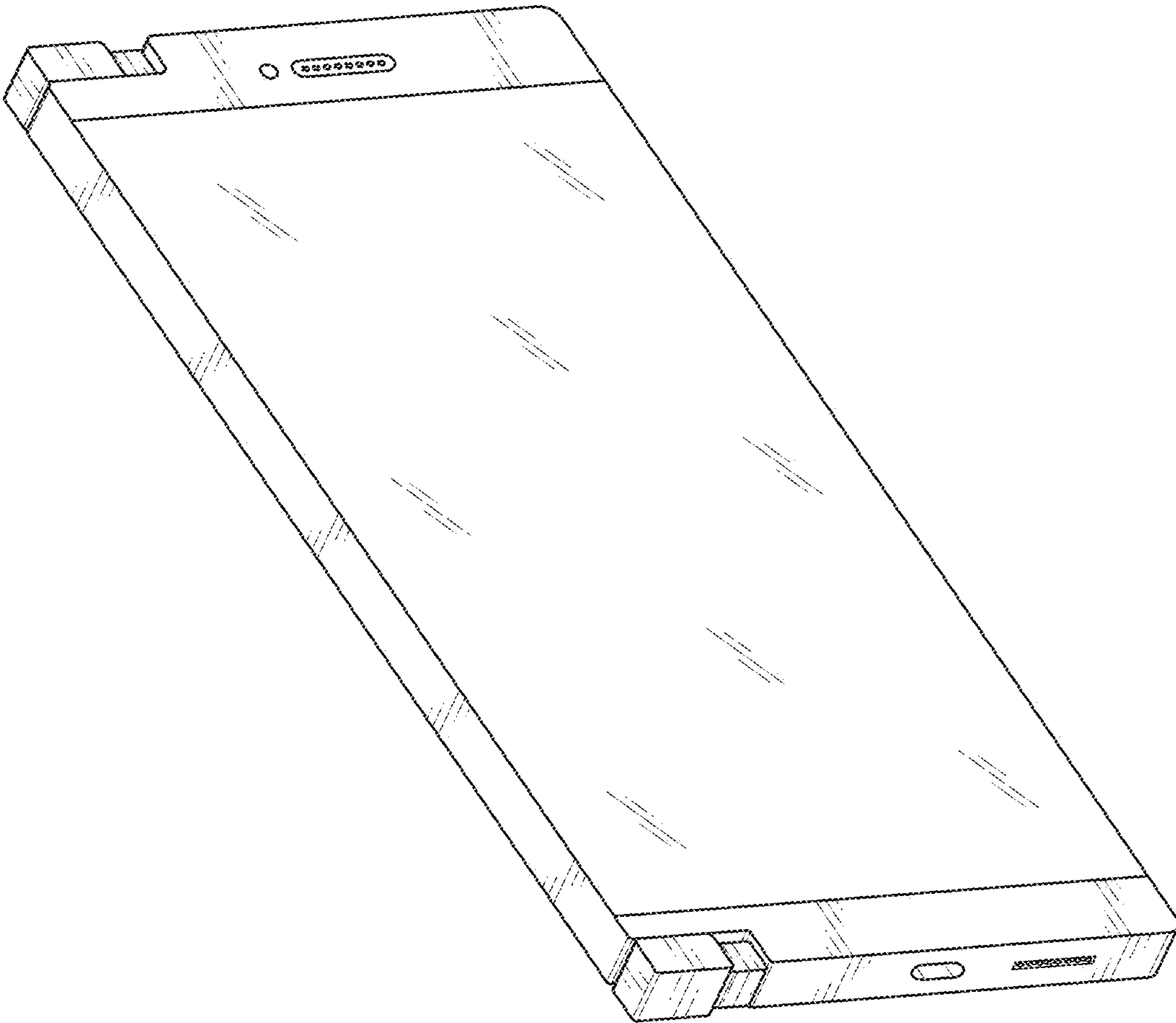


FIG. 9

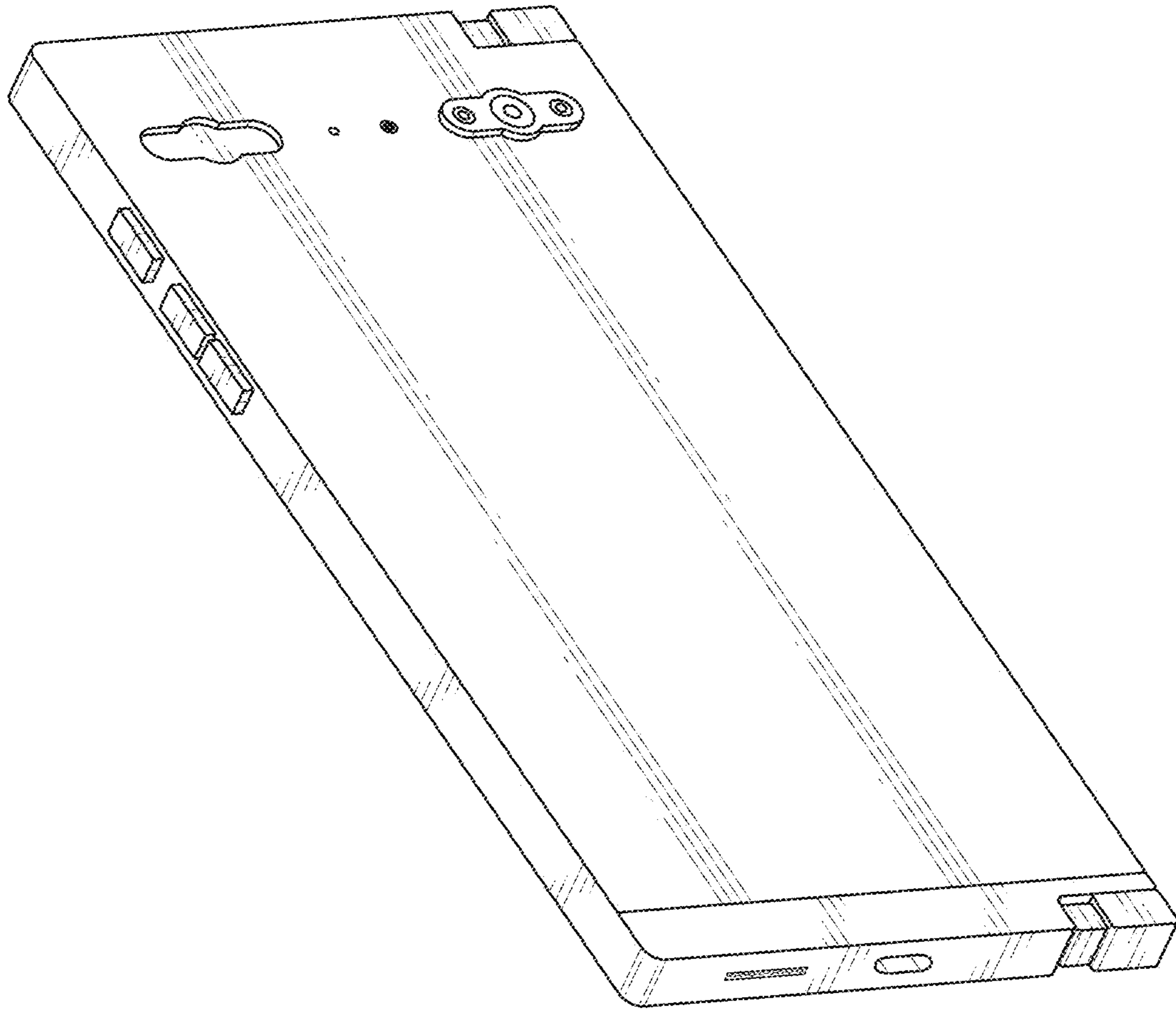


FIG. 10

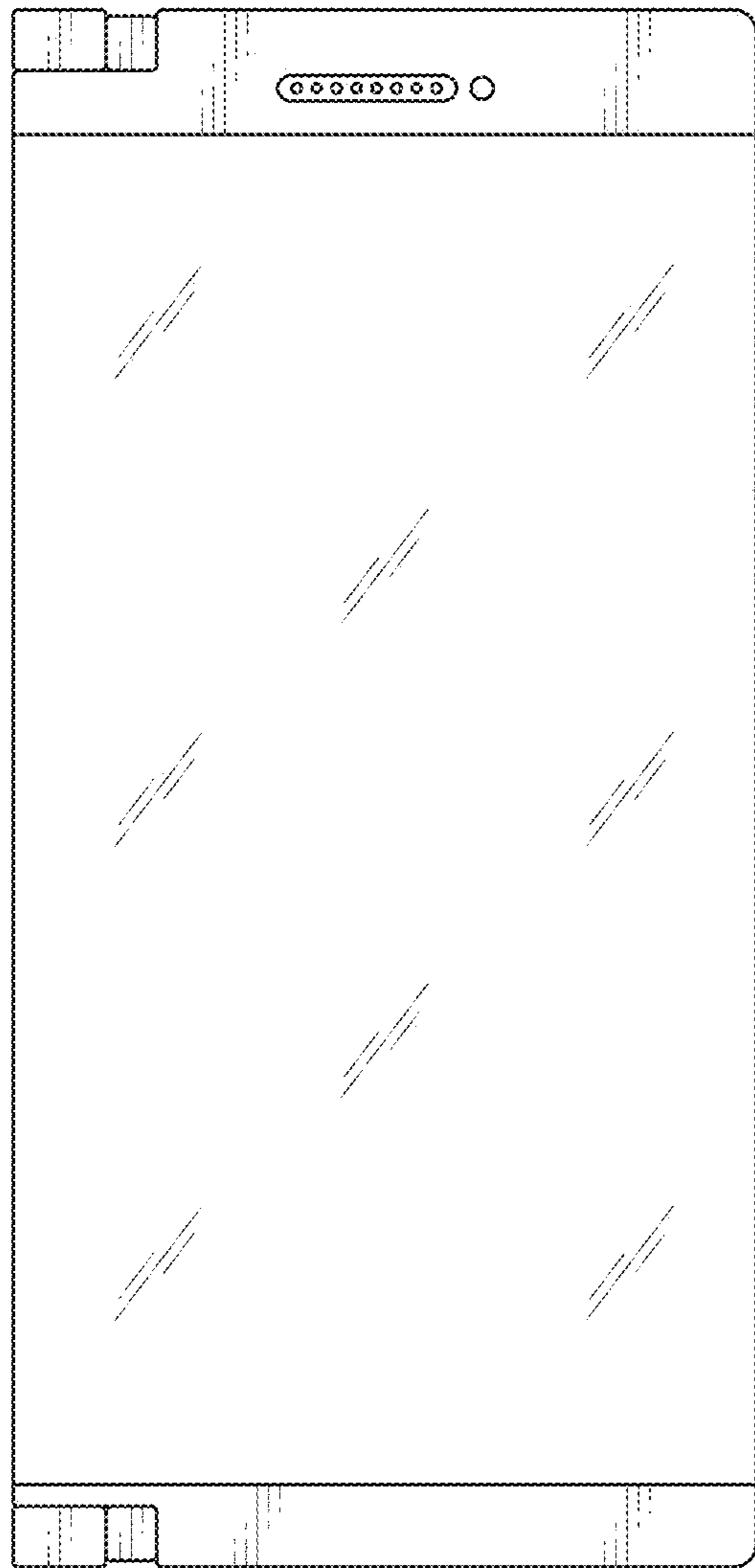


FIG. 11

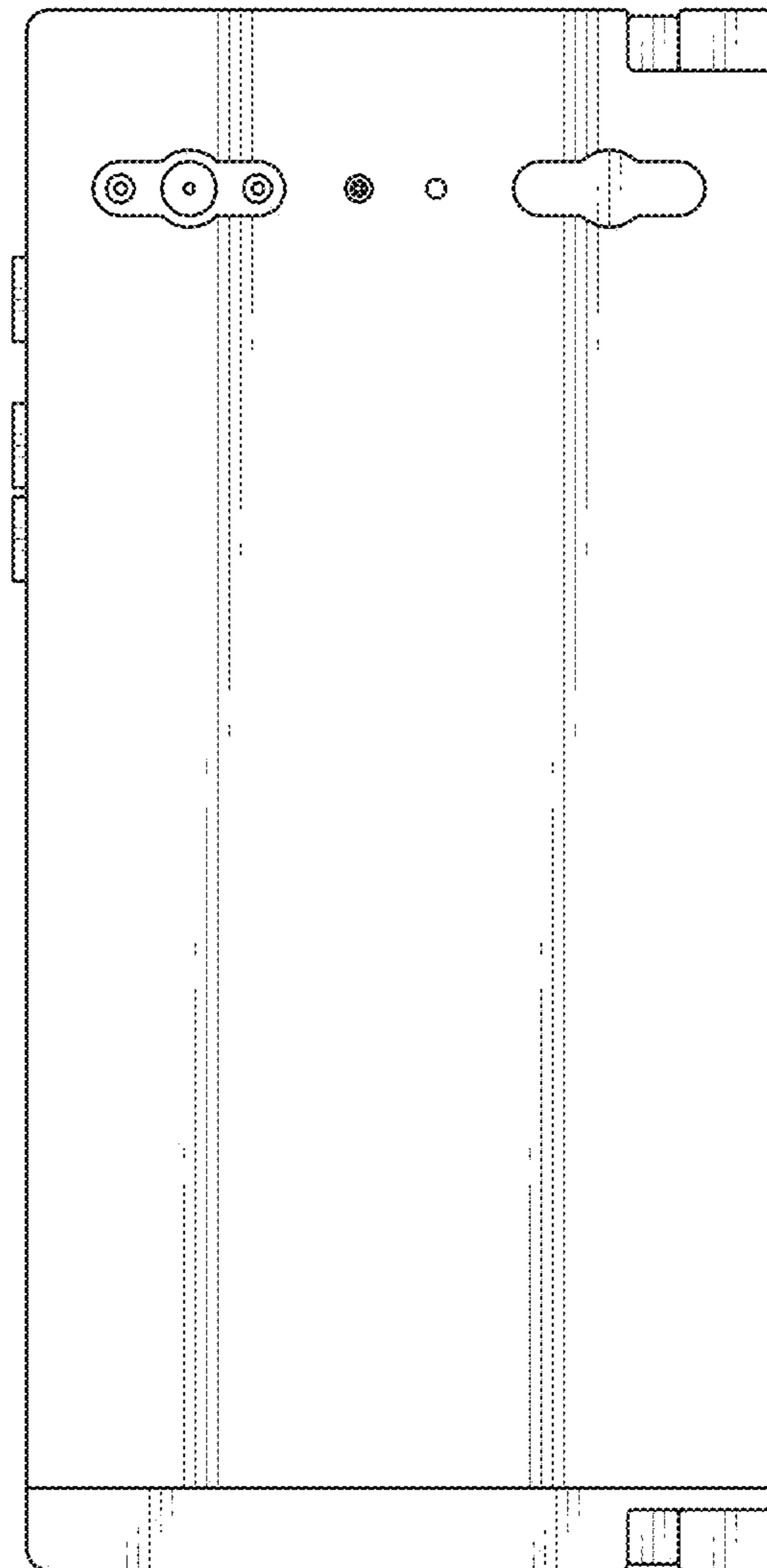


FIG. 12

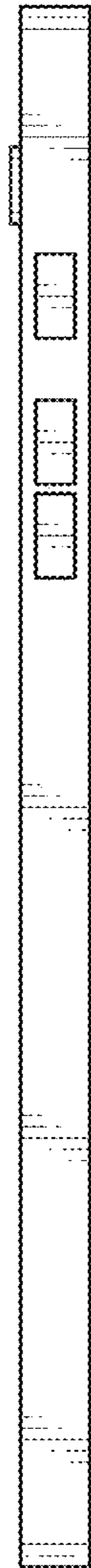


FIG. 13



FIG. 14



FIG. 15



FIG. 16