



US00D954696S

(12) **United States Design Patent**
Li

(10) **Patent No.:** **US D954,696 S**

(45) **Date of Patent:** **** Jun. 14, 2022**

- (54) **MOBILE PHONE HOLDER**
- (71) Applicant: **SHENZHEN LEADERMENT TECHNOLOGY CO., LTD.**, Shenzhen (CN)
- (72) Inventor: **Chun Bin Li**, Shenzhen (CN)
- (73) Assignee: **SHENZHEN LEADERMENT TECHNOLOGY CO., LTD.**, Shenzhen (CN)
- (**) Term: **15 Years**
- (21) Appl. No.: **29/694,780**
- (22) Filed: **Jun. 13, 2019**
- (51) **LOC (13) Cl.** **14-03**
- (52) **U.S. Cl.**
USPC **D14/253**
- (58) **Field of Classification Search**
USPC D14/251–253, 447; D12/415; D3/218; D16/244
CPC F16M 13/02; F16M 11/14; F16M 11/121; F16M 11/2007; B60R 11/0241; B60R 2011/0059; B60R 2011/0071; F16B 2001/0035; A45C 2011/002; H04M 1/04; A45F 2200/0516
See application file for complete search history.

- 10,348,352 B2 * 7/2019 Barnett F16M 13/00
- 10,389,860 B2 * 8/2019 Nahum H04M 1/04
- 10,463,116 B2 * 11/2019 Barnett F16M 13/04
- D911,324 S * 2/2021 Wu D14/253
- D919,963 S * 5/2021 Fabec D3/218
- D928,771 S * 8/2021 Barnett H04M 1/04
D14/251
- 2019/0211966 A1 * 7/2019 Nahum F16M 11/00
- 2019/0215391 A1 * 7/2019 Chiang F16M 11/38

* cited by examiner

Primary Examiner — Janice Hallmark

(74) *Attorney, Agent, or Firm* — Law Offices of Steven W. Weinrieb

(57) **CLAIM**

The ornamental design for a mobile phone holder, as shown and described.

DESCRIPTION

FIG. 1 is a front, top perspective view of a mobile phone holder showing my new design;
FIG. 2 is a top plan view thereof;
FIG. 3 is a bottom plan view thereof;
FIG. 4 is a left side elevational view thereof;
FIG. 5 is a right side elevational view thereof;
FIG. 6 is a front elevational view thereof; and,
FIG. 7 is a rear elevational view thereof.

1 Claim, 7 Drawing Sheets

- (56) **References Cited**
U.S. PATENT DOCUMENTS
D794,607 S * 8/2017 Srour D3/218
D799,468 S * 10/2017 Chen D14/253

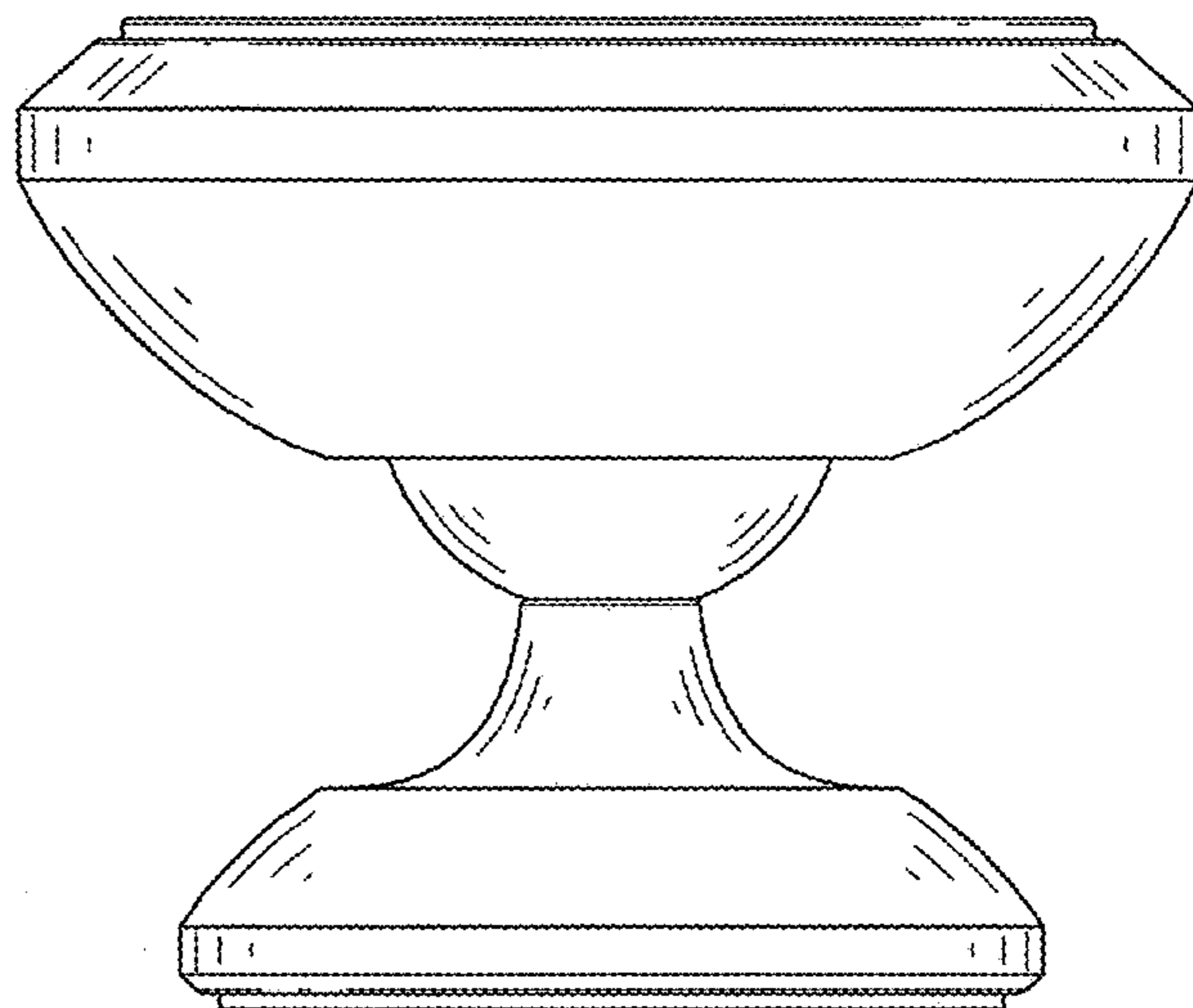
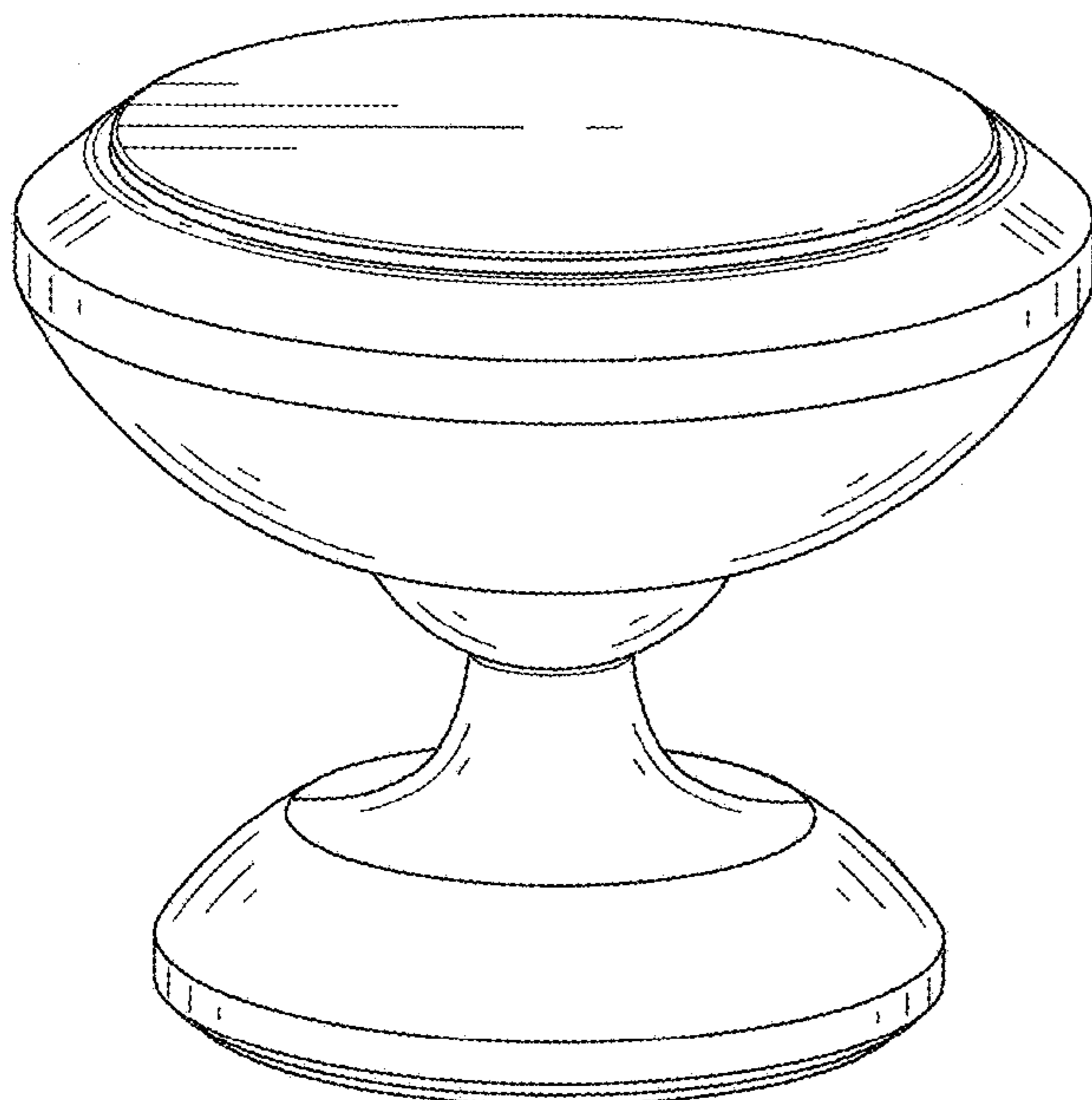




FIG.1

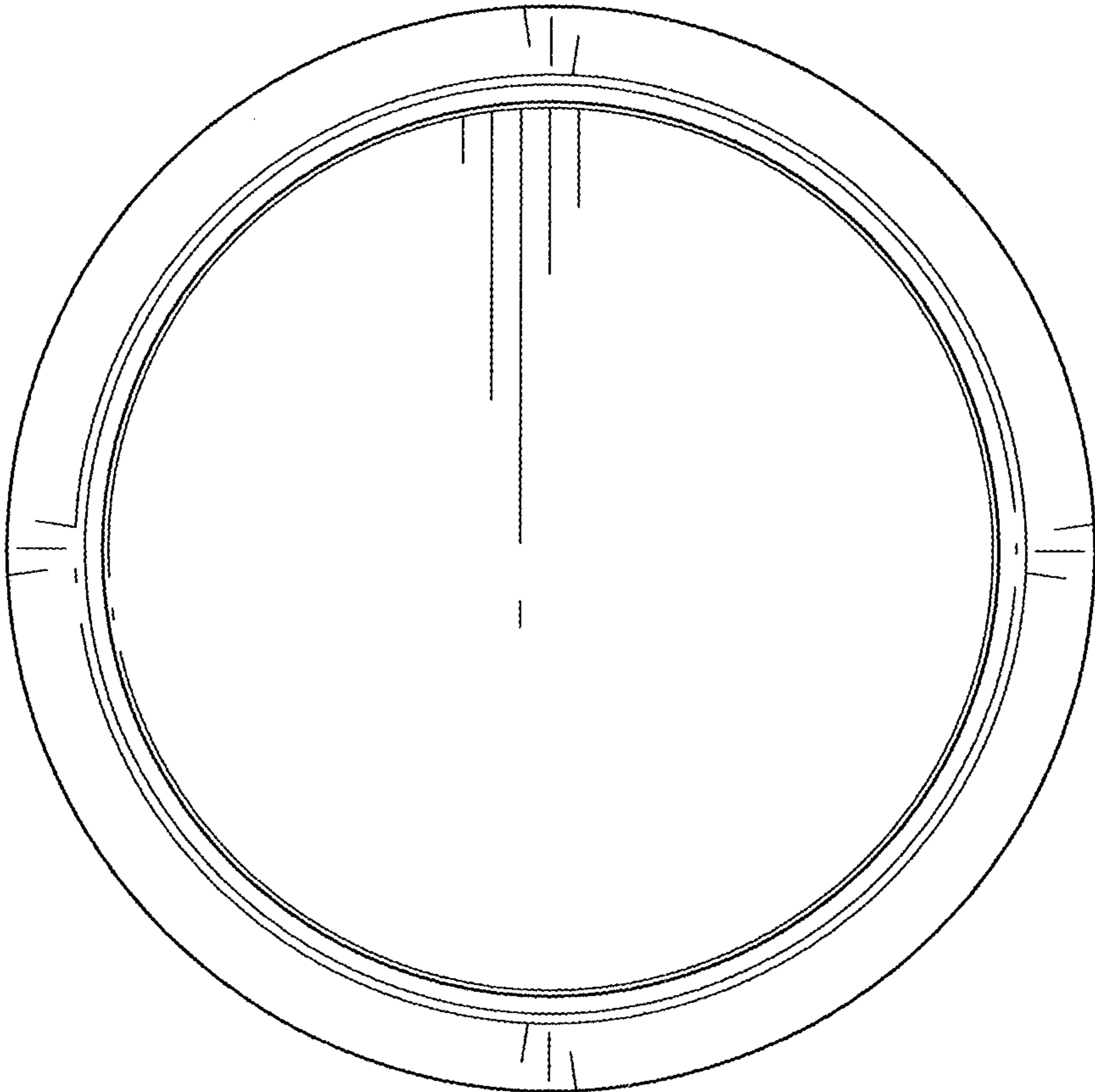


FIG.2

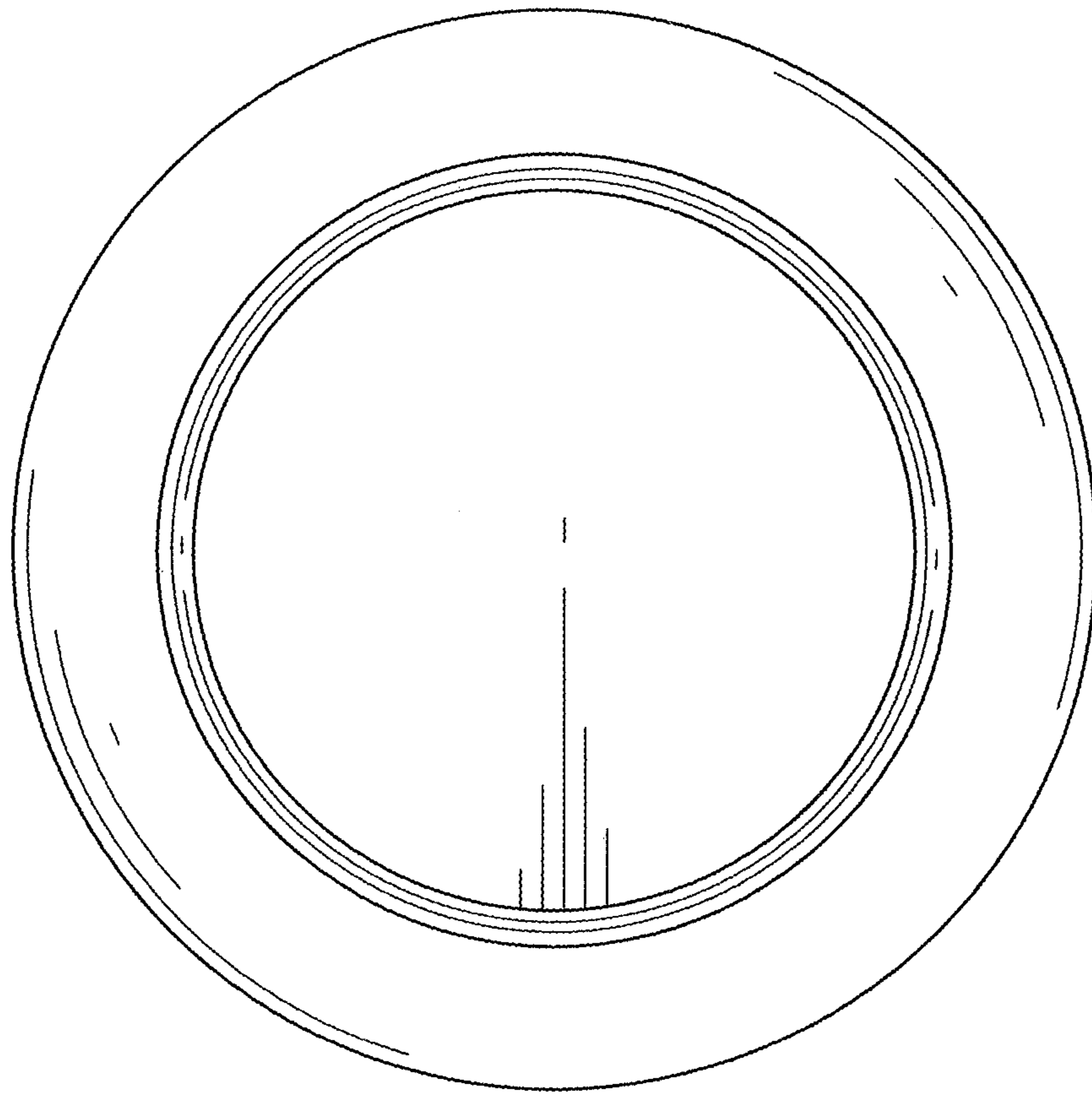


FIG.3

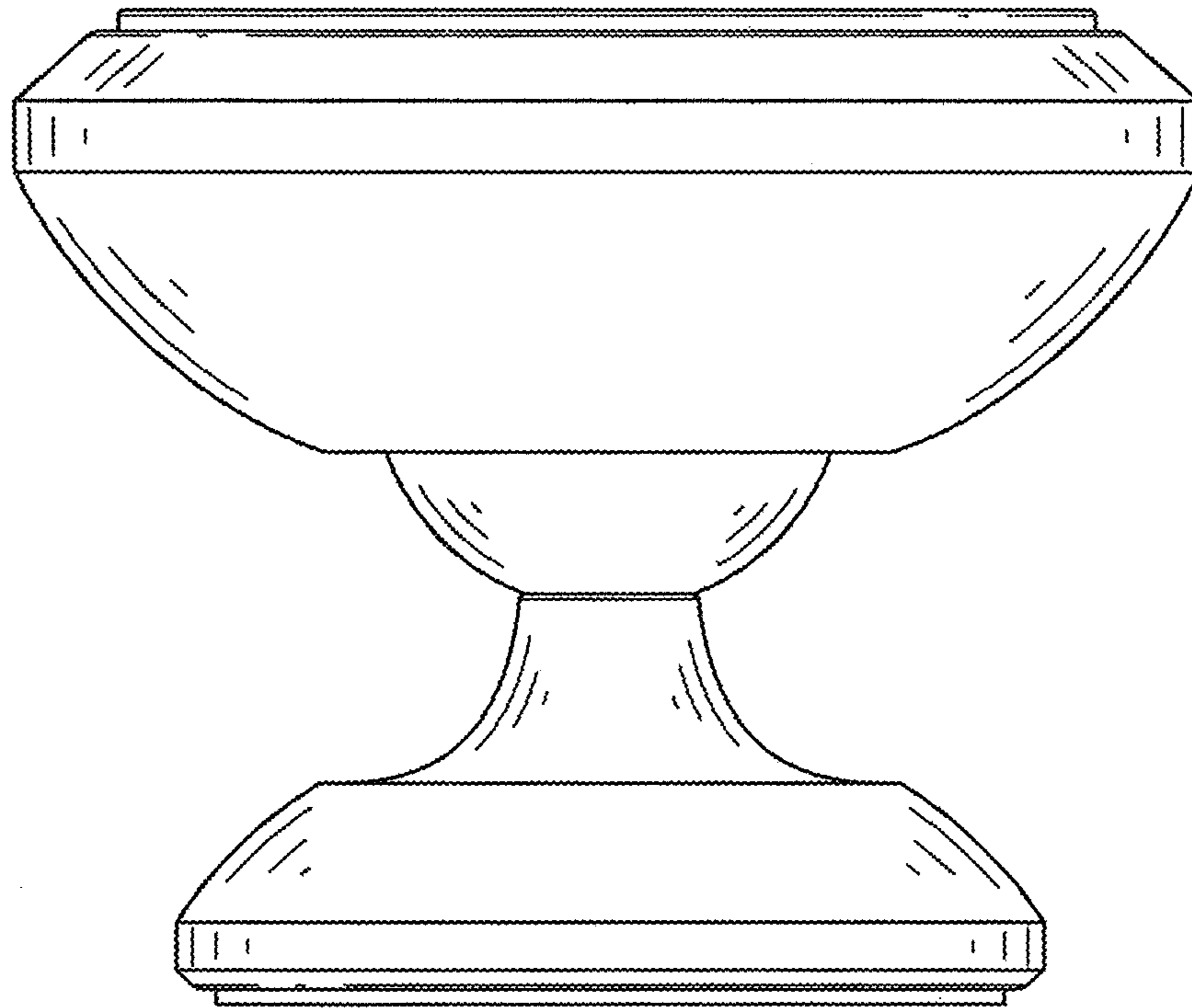


FIG. 4

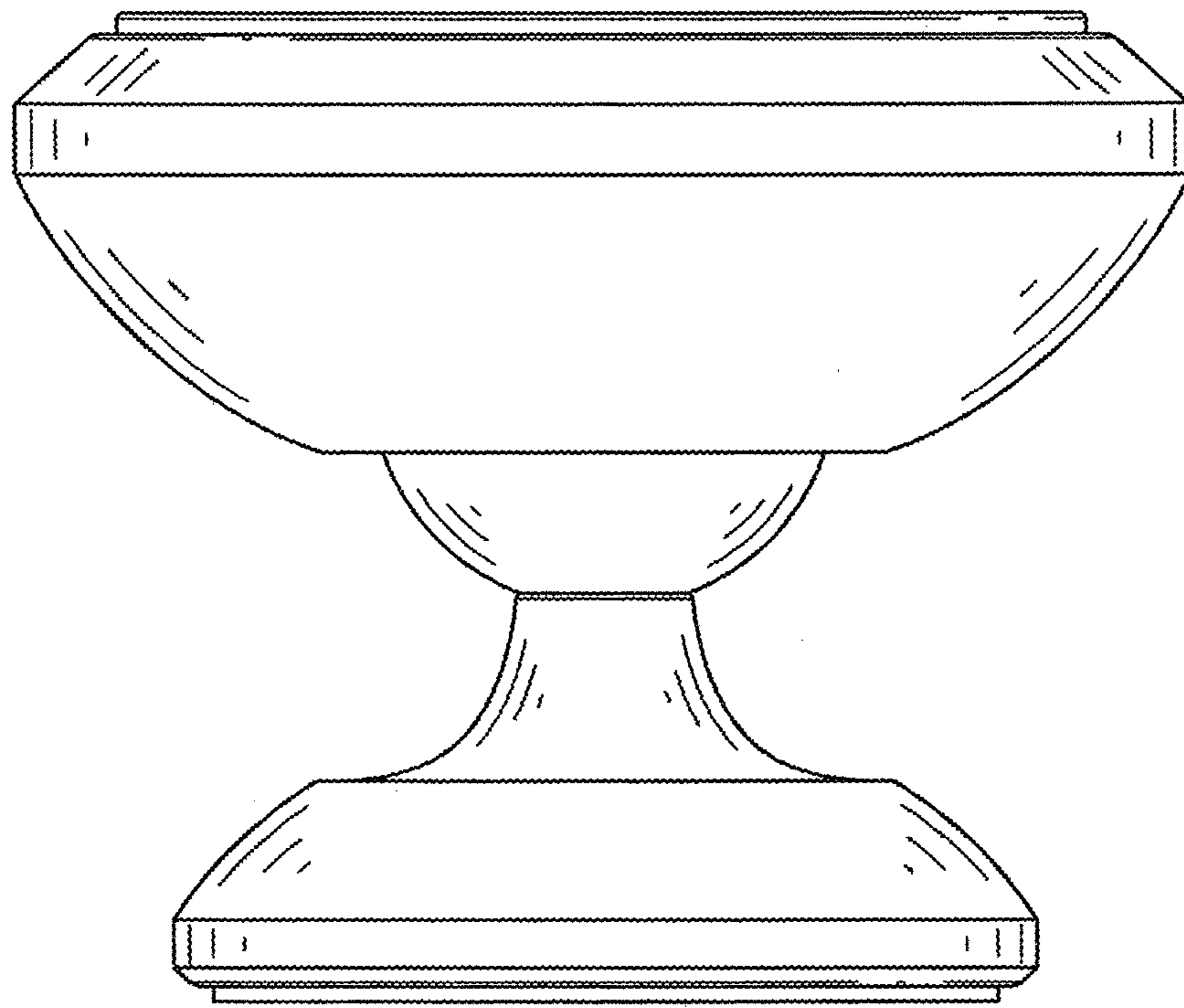


FIG. 5

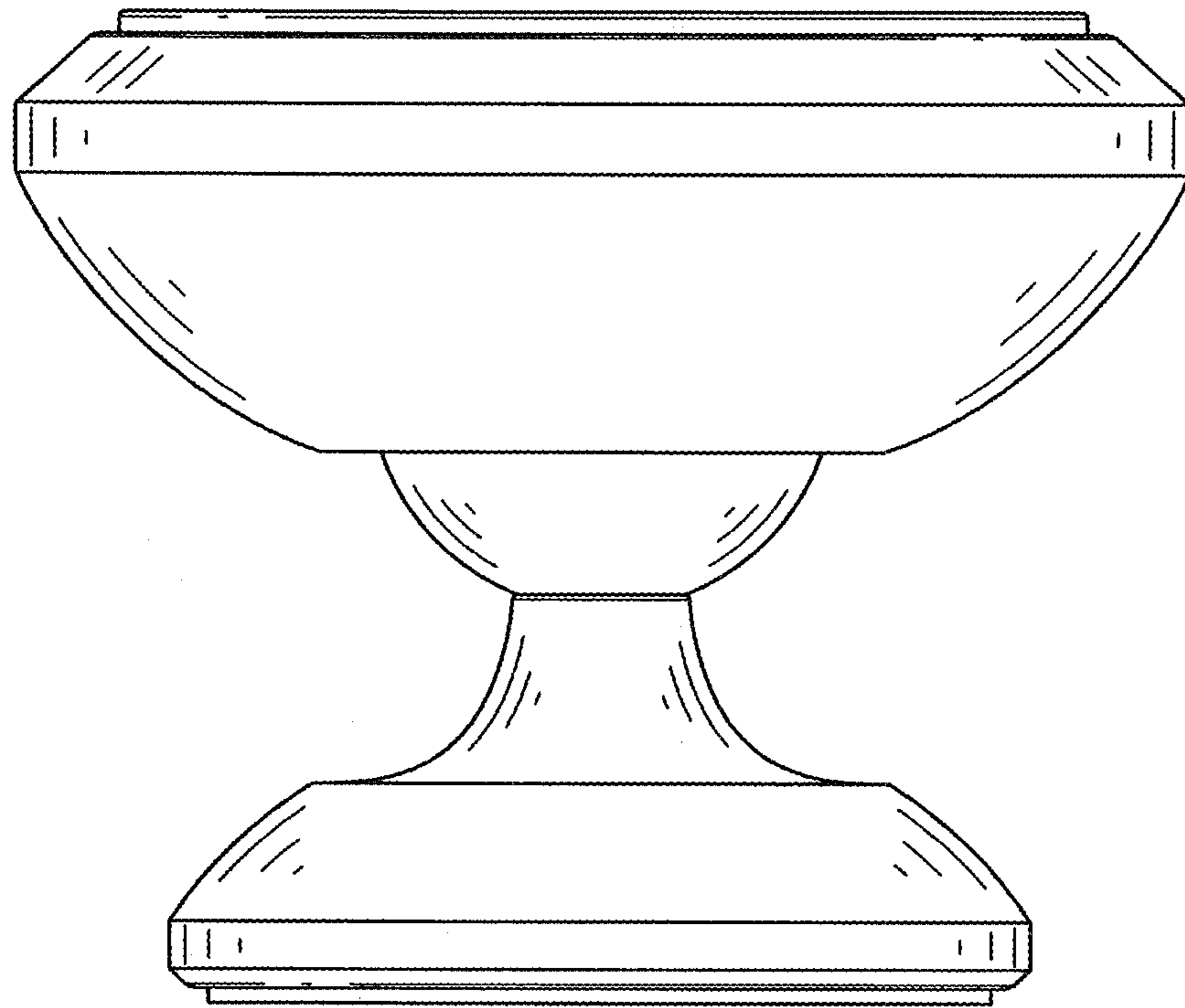


FIG. 6

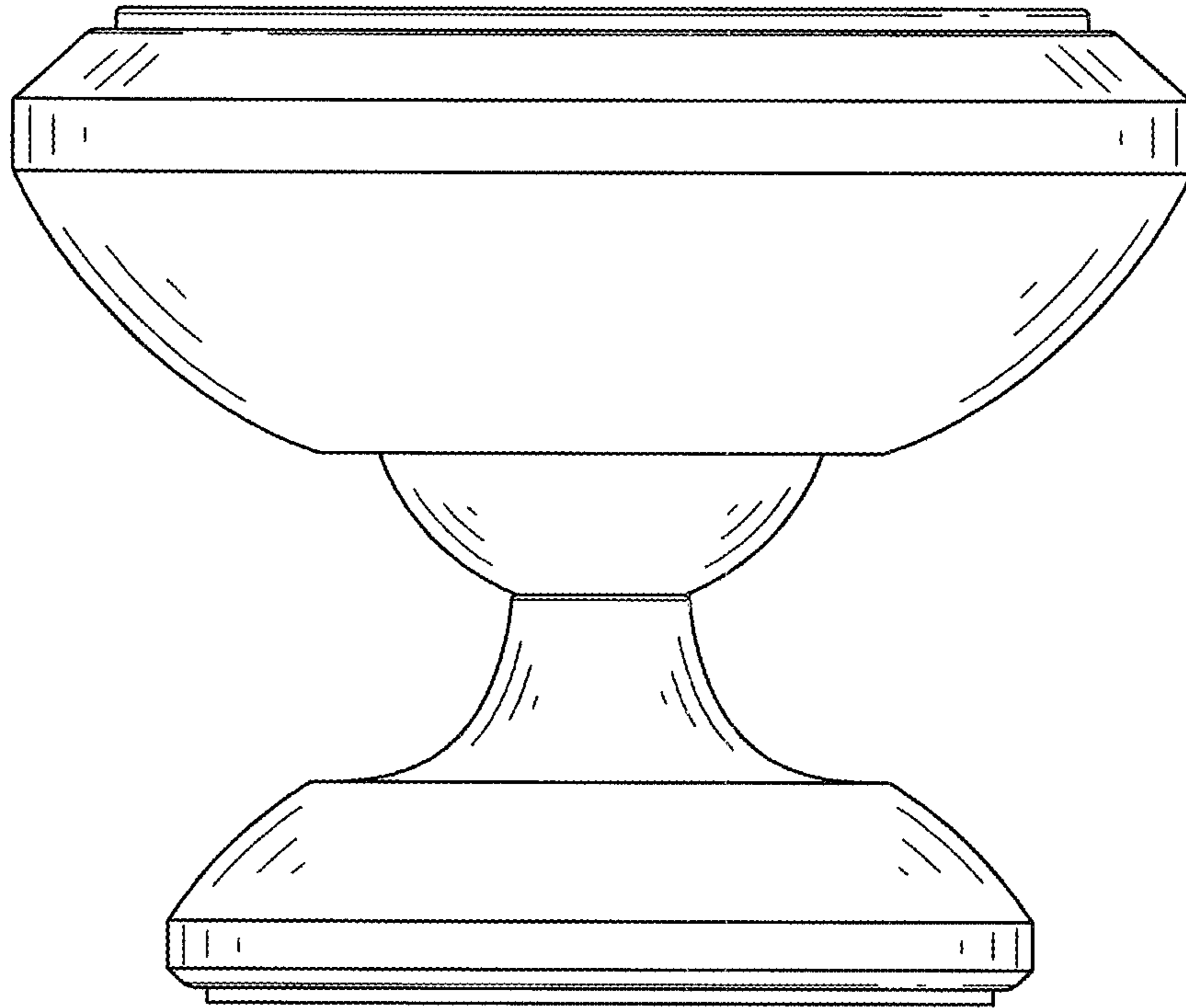


FIG. 7