



US00D954695S

(12) **United States Design Patent**  
**Deng**

(10) **Patent No.:** **US D954,695 S**

(45) **Date of Patent:** **\*\* Jun. 14, 2022**

(54) **PHONE CASE**

(71) Applicant: **SHENZHEN XIWXI TECHNOLOGY CO., LTD**, Shenzhen (CN)

(72) Inventor: **Xiuhong Deng**, Shaoyang (CN)

(73) Assignee: **SHENZHEN XIWXI TECHNOLOGY CO., LTD**, Shenzhen (CN)

(\*\*) Term: **15 Years**

(21) Appl. No.: **29/800,732**

(22) Filed: **Jul. 23, 2021**

(51) **LOC (13) Cl.** ..... **14-03**

(52) **U.S. Cl.**  
USPC ..... **D14/250**

(58) **Field of Classification Search**  
USPC ..... D14/203.3–203.7, 439, 251–253, 447, D14/217, 240, 238.1, 440, 248, 250;  
(Continued)

(56) **References Cited**

**U.S. PATENT DOCUMENTS**

D551,856 S \* 10/2007 Ko ..... D3/218  
D569,607 S \* 5/2008 Calco ..... D3/218  
(Continued)

**OTHER PUBLICATIONS**

iPhone 12 Pro Official Magsafe Clear Case Review, published on Oct. 30, 2020, URL:<[https://www.youtube.com/watch?v=0p\\_86qVVS2o](https://www.youtube.com/watch?v=0p_86qVVS2o)>, retrieved from internet on Apr. 23, 2022.\*

*Primary Examiner* — Carla J Wright

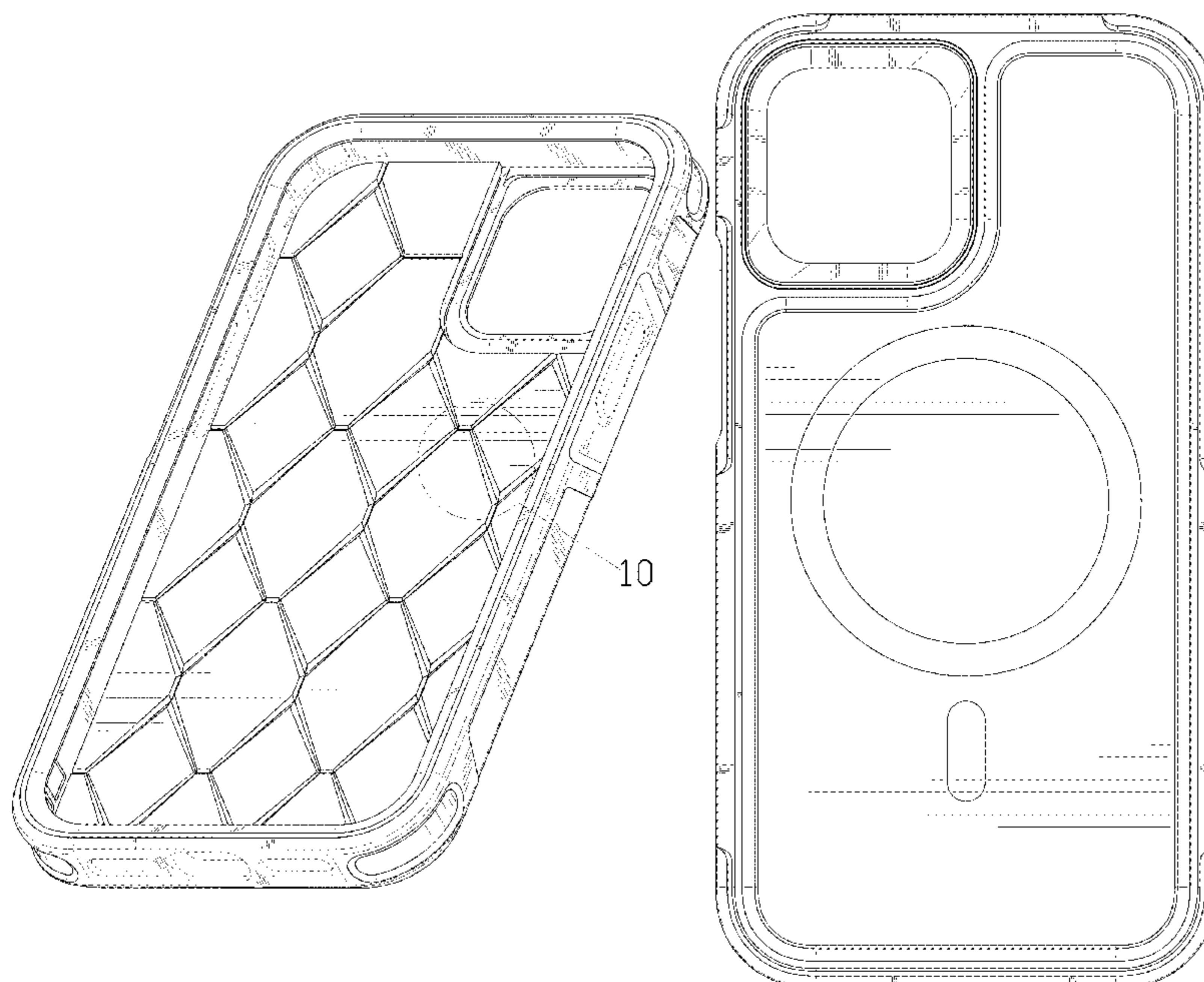
(57) **CLAIM**

The ornamental design for a phone case, as shown and described.

**DESCRIPTION**

FIG. 1 is a front, right-side, and bottom perspective view of a first embodiment of a phone case showing my new design; FIG. 2 is a rear, left-side, and top perspective view thereof; FIG. 3 is a front elevational view thereof; FIG. 4 is a rear elevational view thereof; FIG. 5 is a left side elevational view thereof; FIG. 6 is a right side elevational view thereof; FIG. 7 is a top plan view thereof; FIG. 8 is a bottom plan view thereof; FIG. 9 is an exploded front, right-side, and bottom perspective view showing the components of the first embodiment of the phone case separated for clarity of disclosure; FIG. 10 is an enlarged view of portion 10 shown in FIG. 1; FIG. 11 is front, right-side, and bottom perspective view of a second embodiment of the phone case; FIG. 12 is a rear, left-side, and top perspective view thereof; FIG. 13 is a front elevational view thereof; FIG. 14 is a rear elevational view thereof; FIG. 15 is a left side elevational view thereof; FIG. 16 is a right side elevational view thereof; FIG. 17 is a top plan view thereof; FIG. 18 is a bottom plan view thereof; FIG. 19 is an exploded front, right-side, and bottom perspective view showing the components of the second embodiment of the phone case separated for clarity of disclosure; and, FIG. 20 is an enlarged view of portion 20 shown in FIG. 11. The dashed broken lines in the drawing figures form no part of the claimed design and depict portions of the phone case that form no part of the claimed design. The dot-dash broken lines in FIGS. 1, 10, 11, and 20 form no part of the claimed design and delineate portions of the claimed design that are shown on an enlarged scale in FIGS. 10 and 20.

**1 Claim, 20 Drawing Sheets**



(58) **Field of Classification Search**

USPC ..... D13/103, 107-108, 119; D3/201, 218,  
D3/247, 249, 269, 273, 301, 303  
CPC ..... H04B 1/3888; A45C 11/00; A45C 13/02;  
A45C 2011/002; A45C 1/06; A45F  
2200/0525; A45F 2005/026; A45F  
2200/0516; H04M 1/0283; H04M 1/0202  
See application file for complete search history.

(56) **References Cited**

U.S. PATENT DOCUMENTS

D594,849 S \* 6/2009 Ko ..... D3/218  
D657,782 S \* 4/2012 Biller ..... D14/250  
D671,932 S \* 12/2012 Azoulay ..... D14/250  
D691,124 S \* 10/2013 Yang ..... D14/250  
D697,060 S \* 1/2014 Yang ..... D14/250  
D704,685 S \* 5/2014 Yeh ..... D14/248  
D714,278 S 9/2014 Case et al.  
D742,868 S \* 11/2015 Odhwani ..... D14/250  
9,264,089 B2 \* 2/2016 Tages ..... H04M 1/185  
D765,642 S \* 9/2016 Bulkley ..... D14/250

D781,832 S \* 3/2017 Snitko ..... D14/250  
D787,498 S \* 5/2017 Chen ..... D14/250  
D789,937 S \* 6/2017 Zhang ..... D14/440  
D797,070 S \* 9/2017 Lee ..... D14/138 AB  
D802,575 S 11/2017 Castro  
D811,410 S \* 2/2018 Burmester ..... D14/440  
D816,074 S \* 4/2018 Deng ..... D14/250  
D864,181 S \* 10/2019 Luo ..... D14/250  
D867,354 S \* 11/2019 Choi ..... D14/250  
D896,804 S \* 9/2020 Lin ..... D14/250  
D903,647 S \* 12/2020 Lin ..... D14/250  
D905,674 S \* 12/2020 Ahn ..... D14/250  
D908,121 S \* 1/2021 Weng ..... D14/250  
D917,445 S \* 4/2021 Li ..... D14/250  
D918,888 S \* 5/2021 Feng ..... D14/250  
D945,990 S \* 3/2022 Huang ..... D14/250  
D948,492 S \* 4/2022 Akana ..... D14/250  
2014/0221056 A1 \* 8/2014 Gandhi ..... H04B 1/3888  
455/575.8  
2014/0364176 A1 \* 12/2014 Pintor ..... H04B 1/385  
455/575.6  
2018/0184773 A1 \* 7/2018 Whitten ..... A45C 13/1069  
2020/0076937 A1 \* 3/2020 Ackerman ..... H04B 1/3888

\* cited by examiner

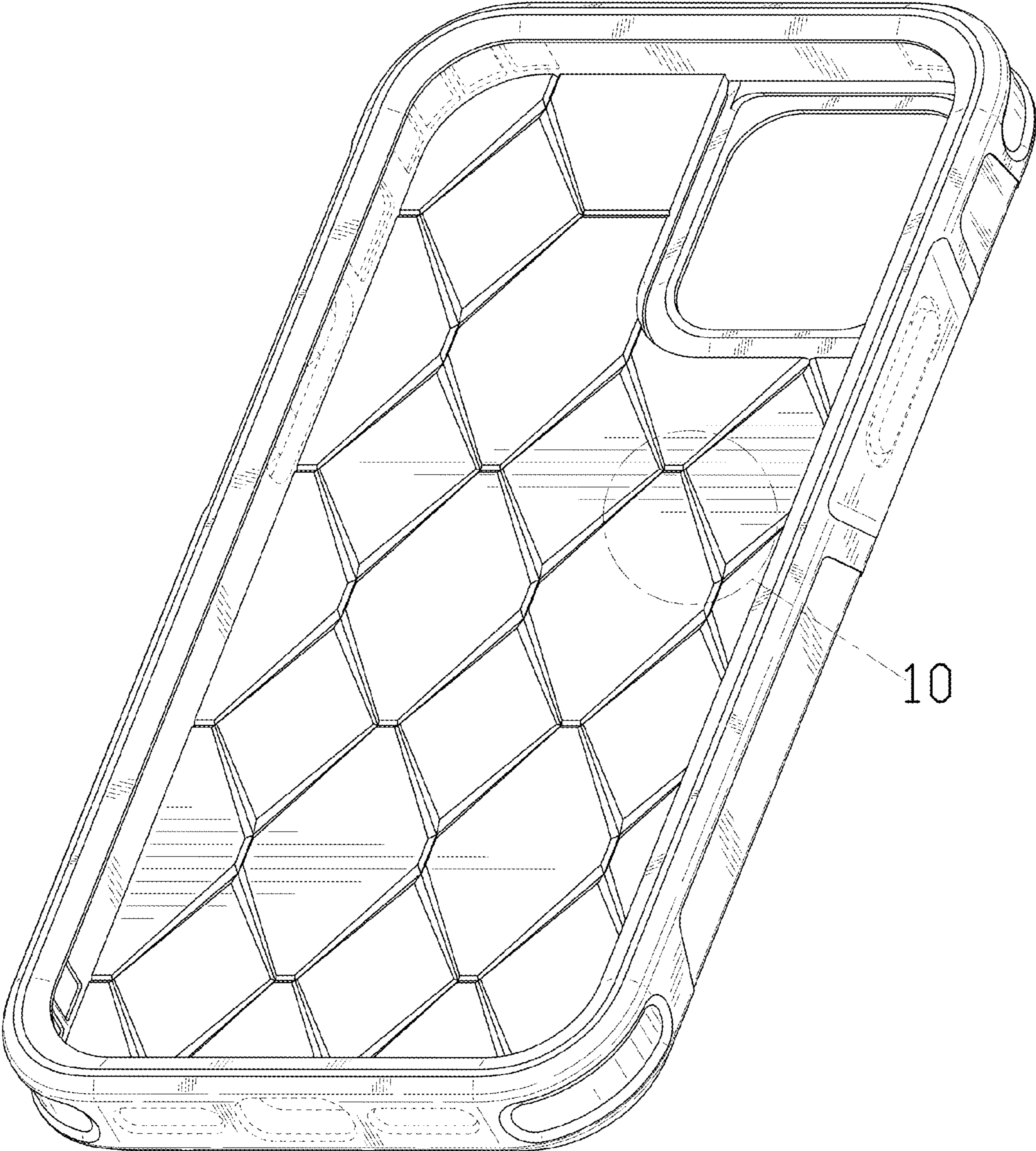


FIG. 1

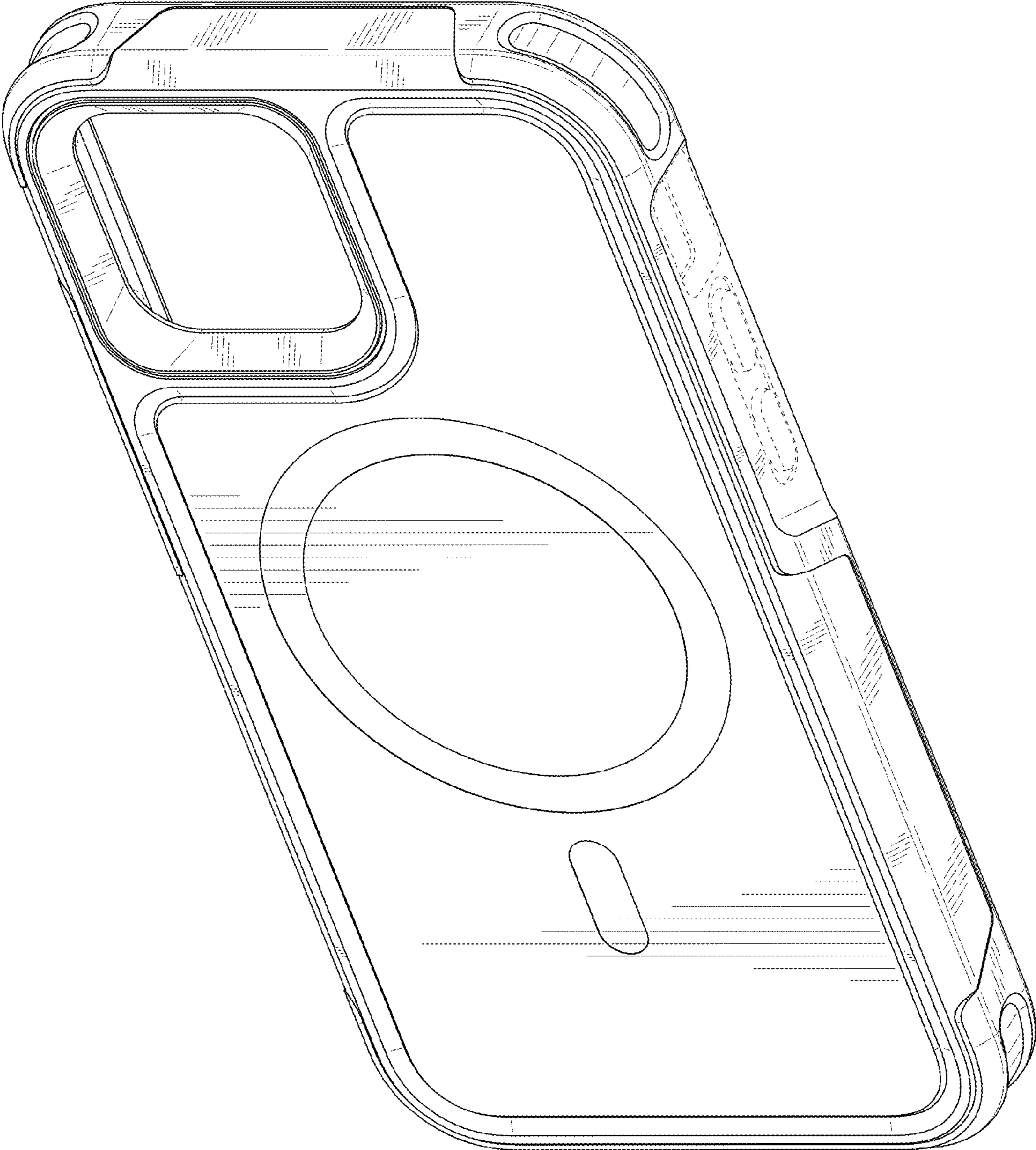


FIG. 2

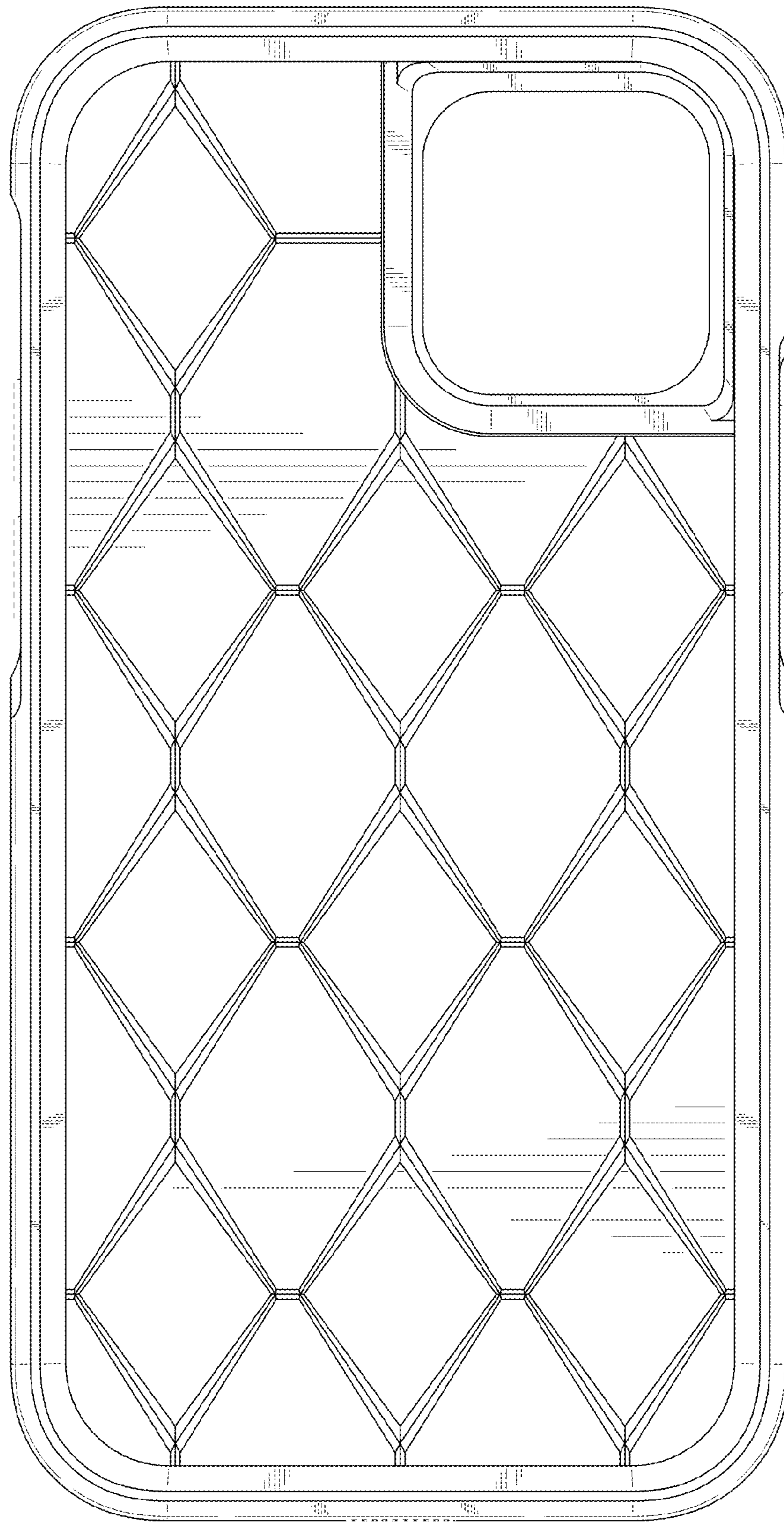


FIG. 3

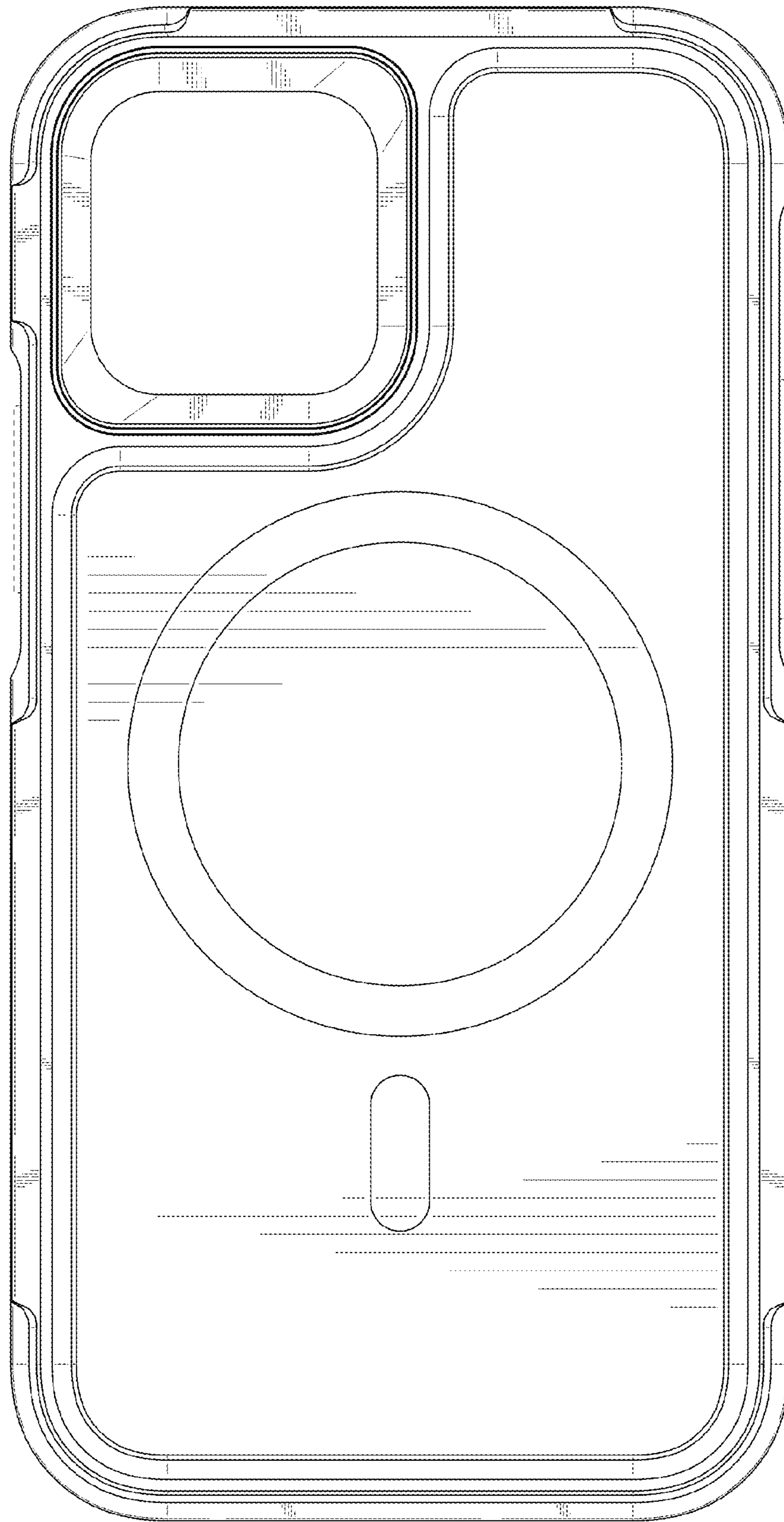


FIG. 4

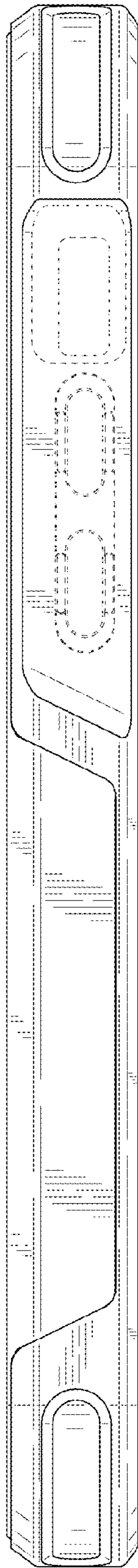


FIG. 5

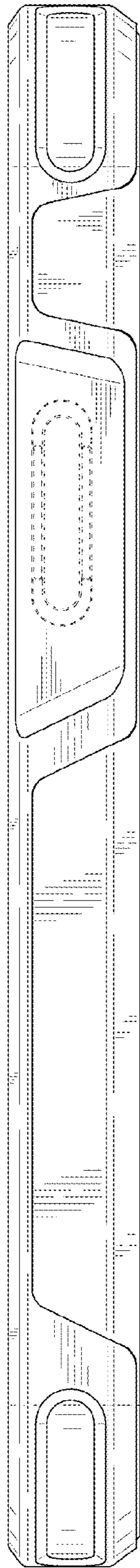


FIG. 6



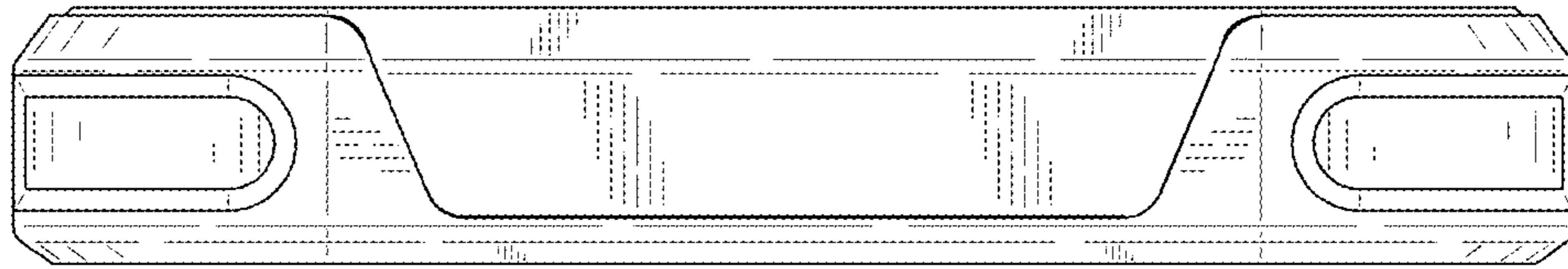


FIG. 7

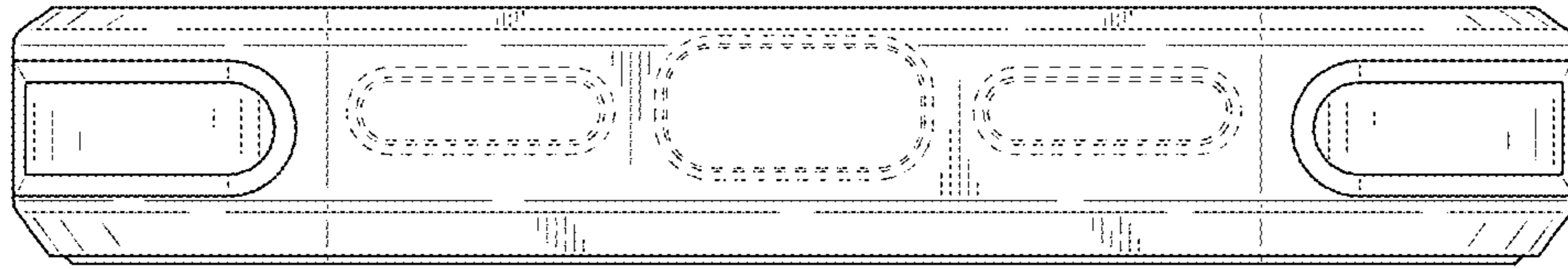


FIG. 8

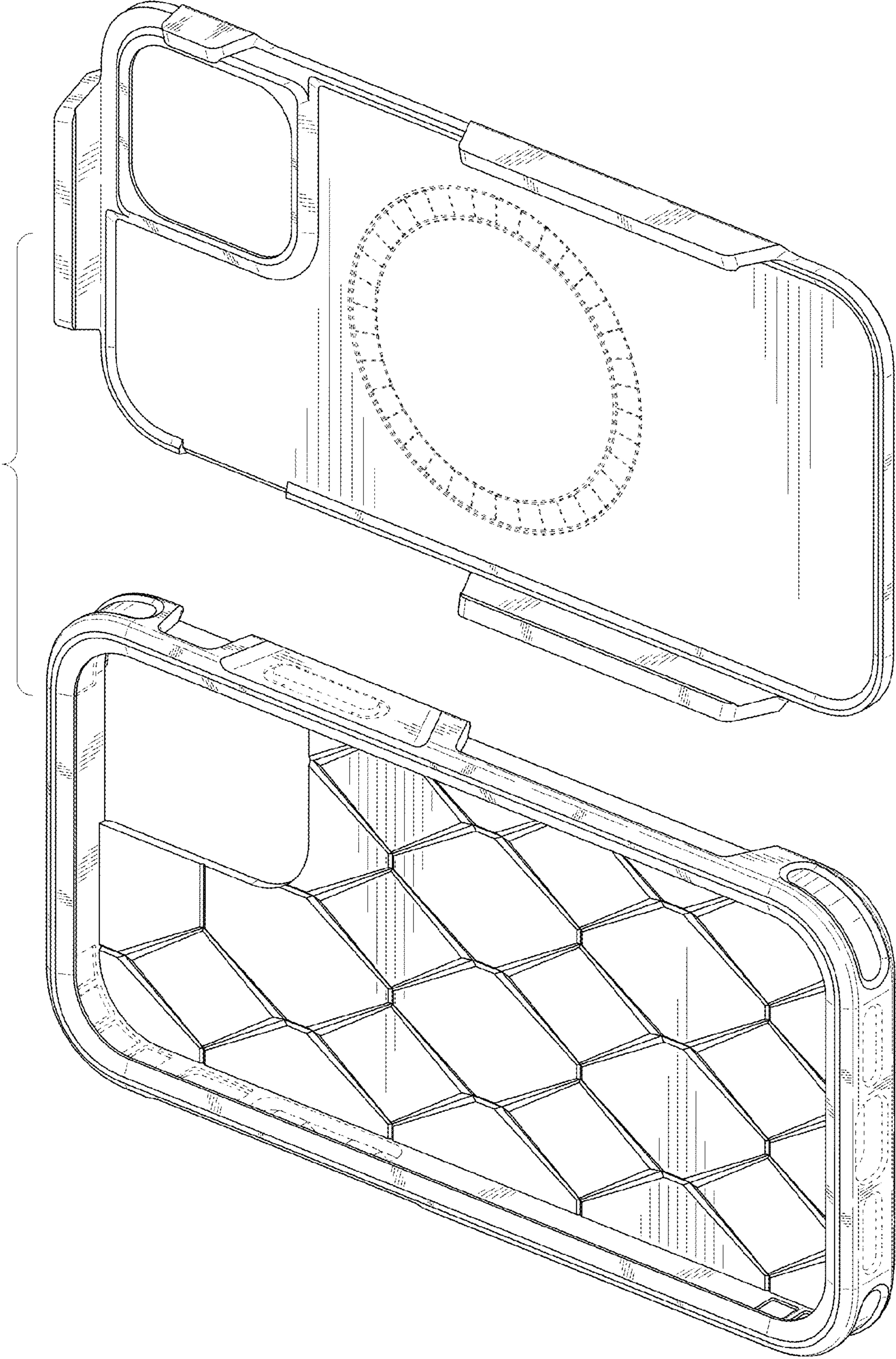


FIG. 9

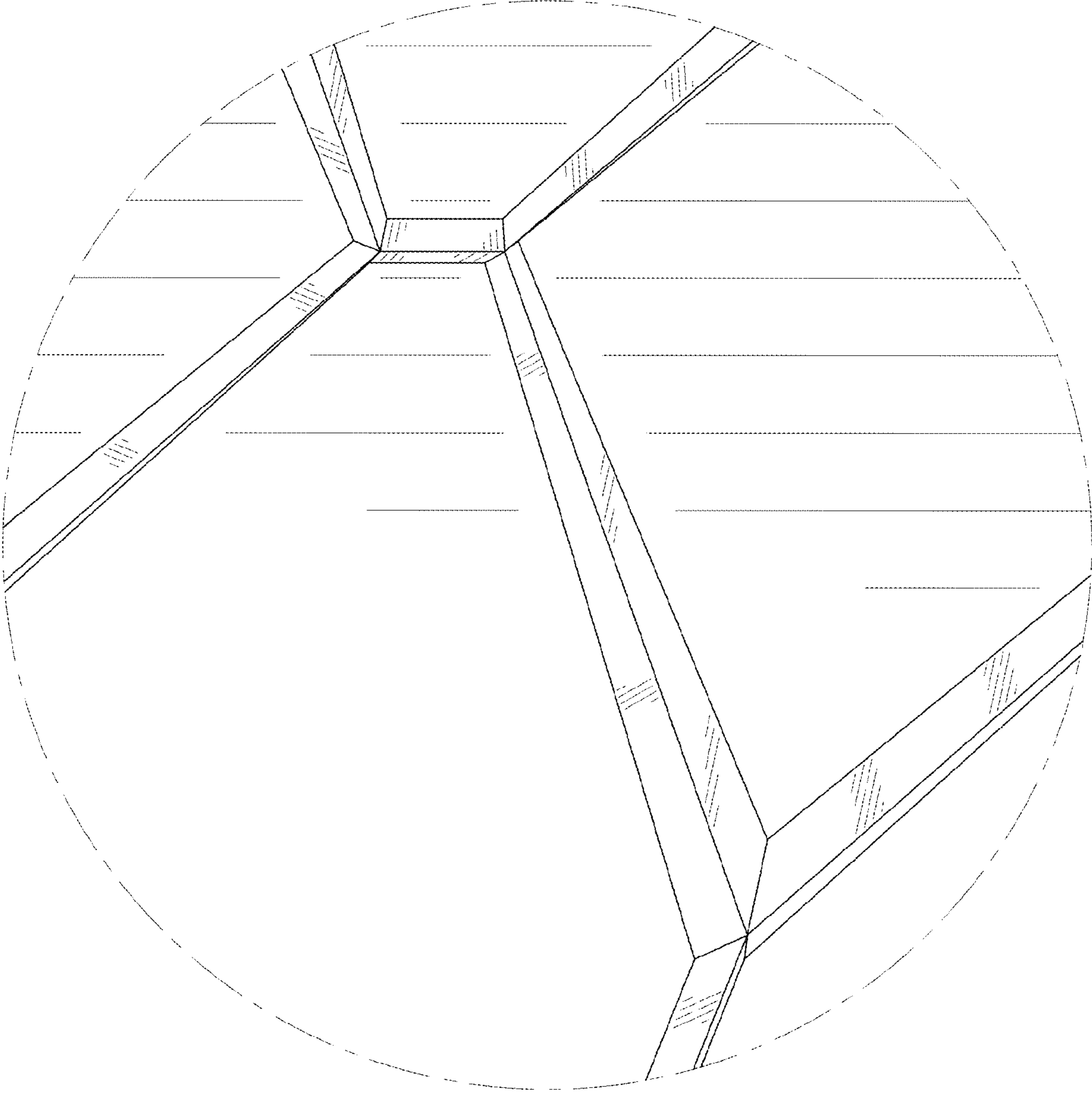


FIG. 10

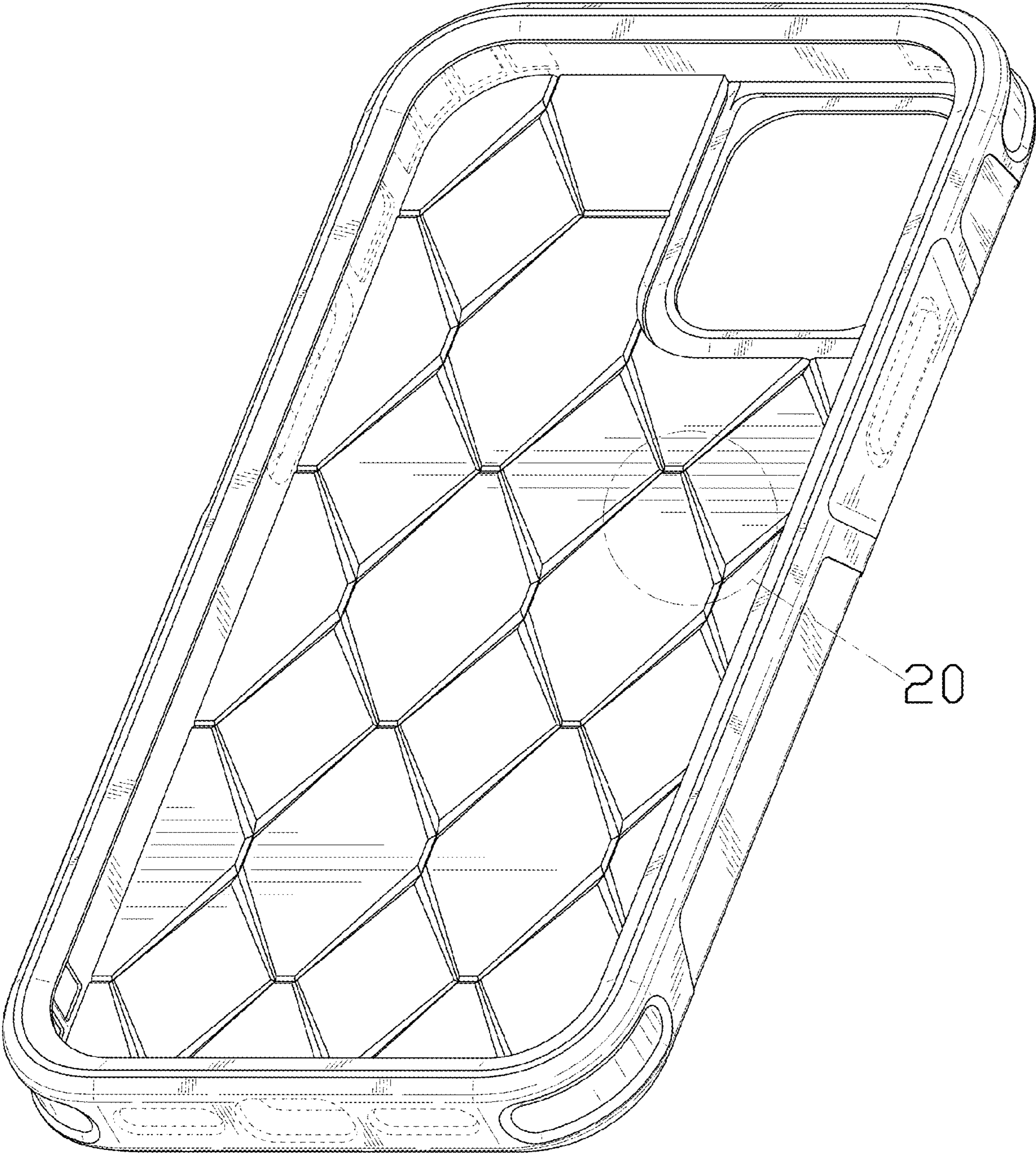


FIG. 11



FIG. 12

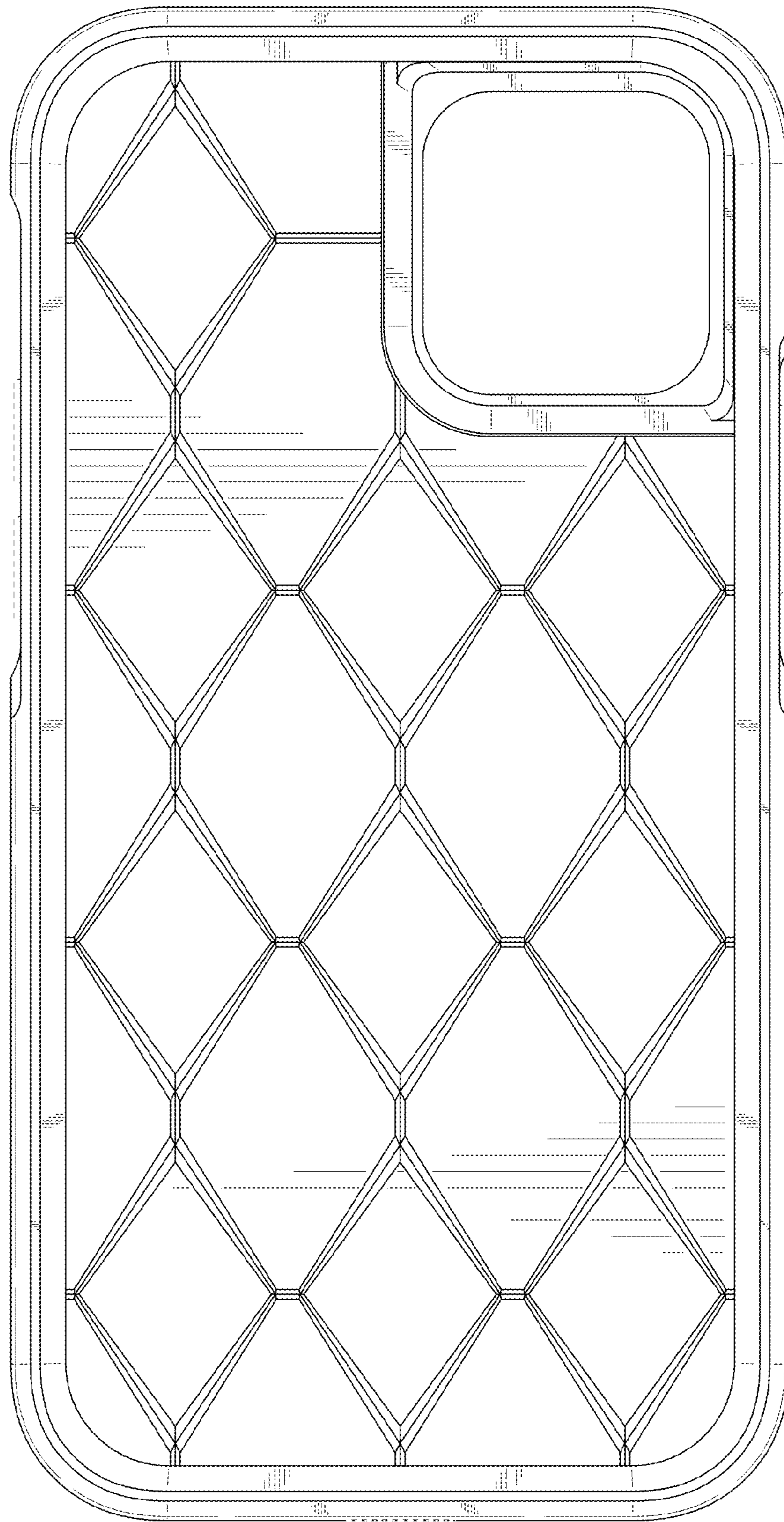


FIG. 13

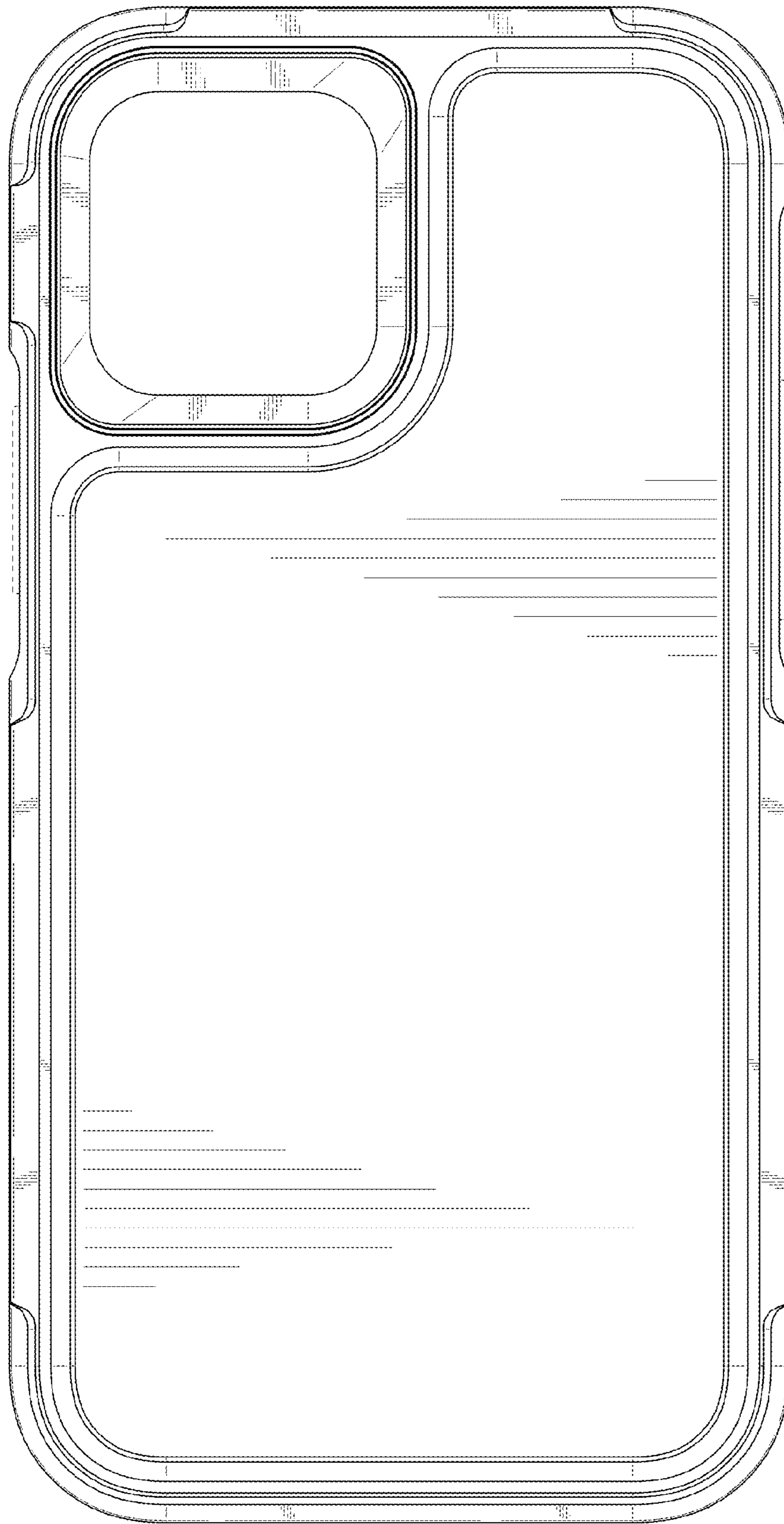


FIG. 14



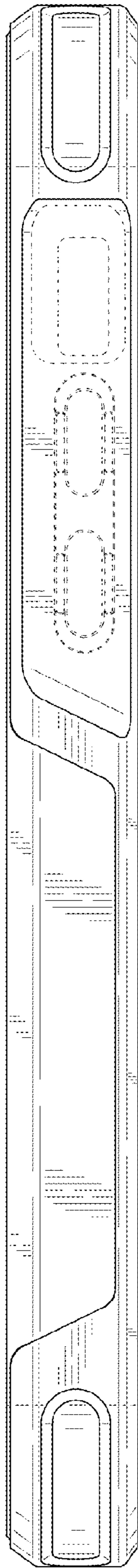


FIG. 15

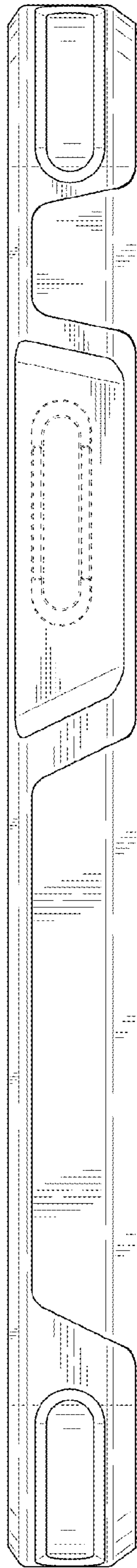


FIG. 16

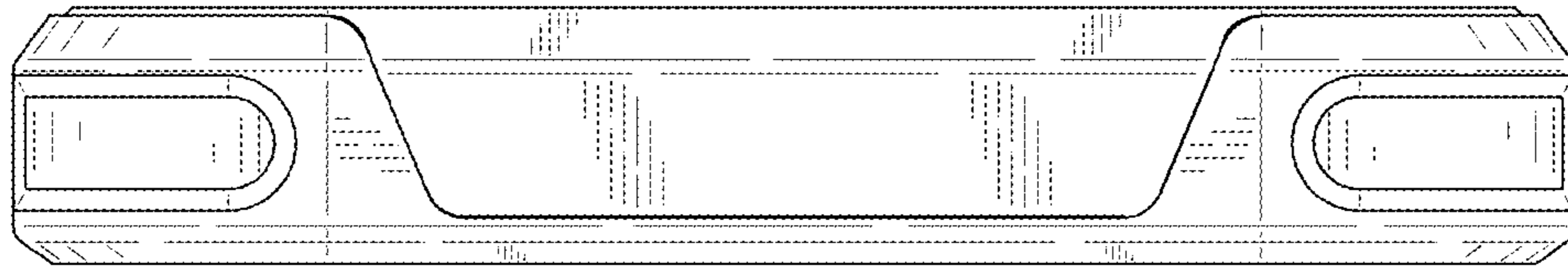


FIG. 17

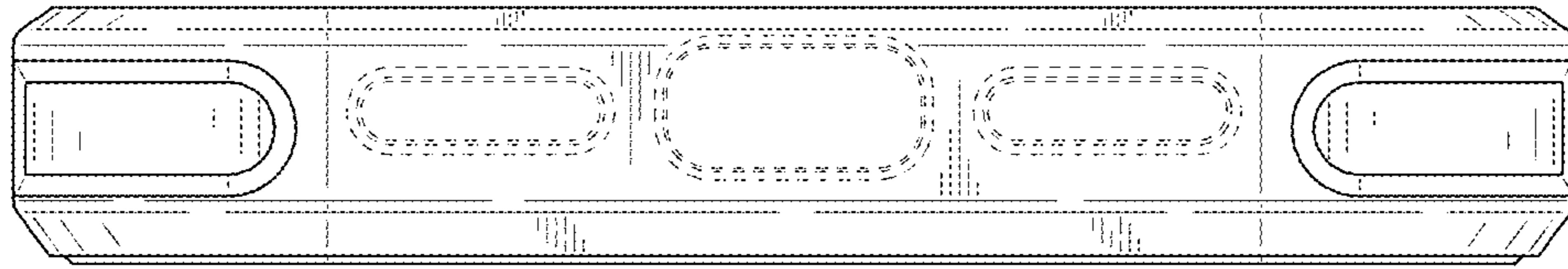


FIG. 18

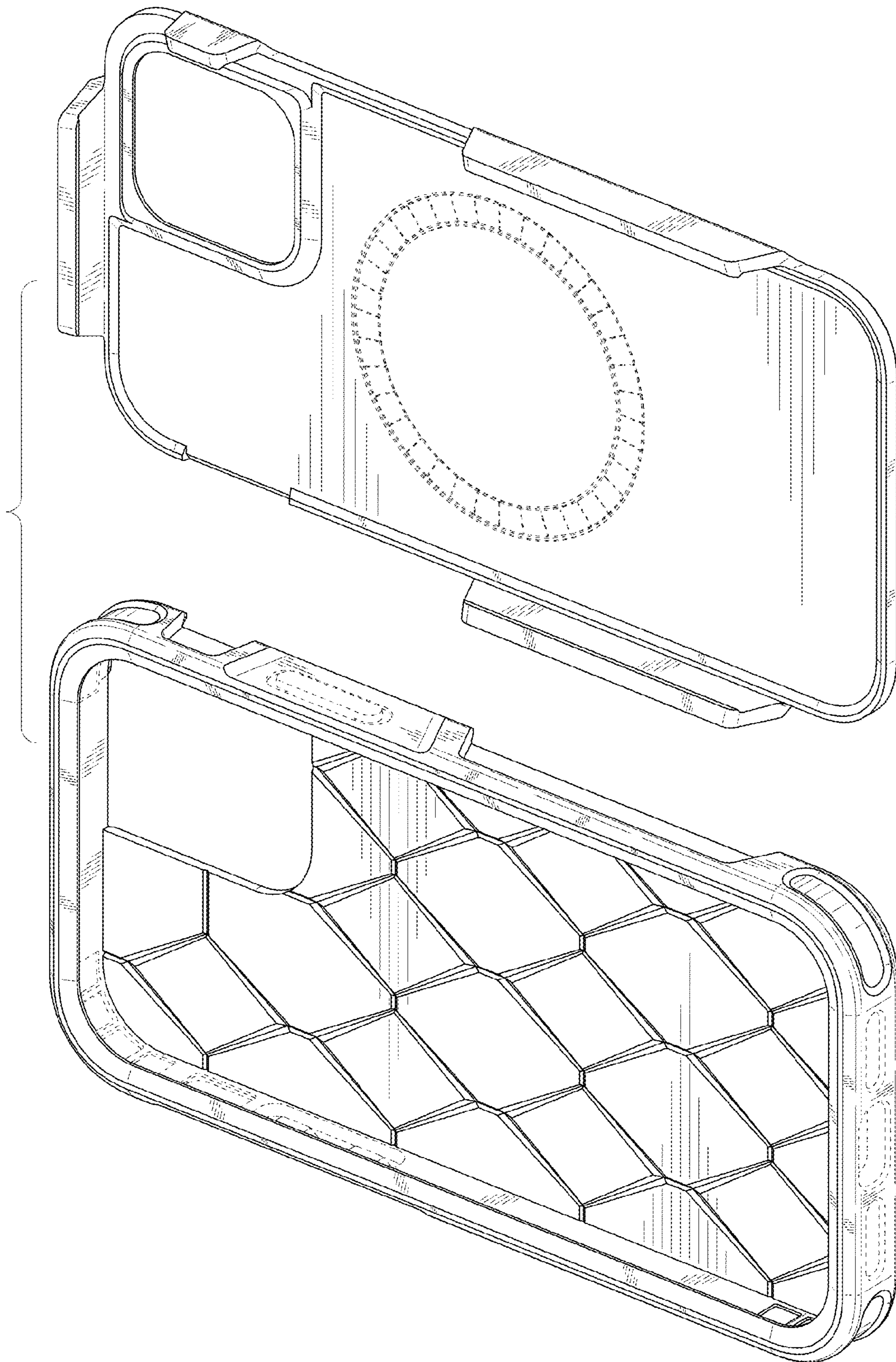


FIG. 19

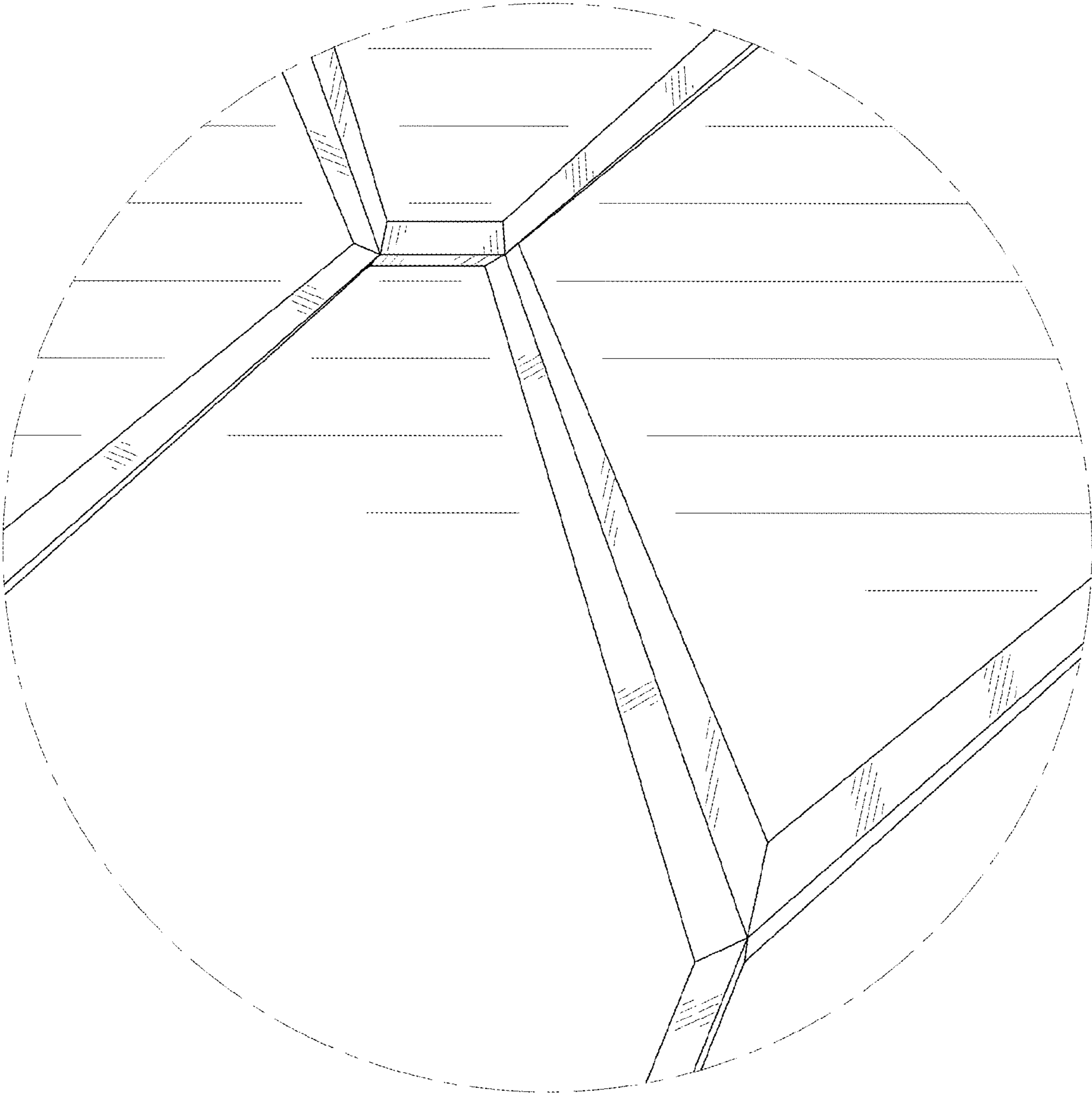


FIG. 20