

US00D954693S

(12) **United States Design Patent**
Jung

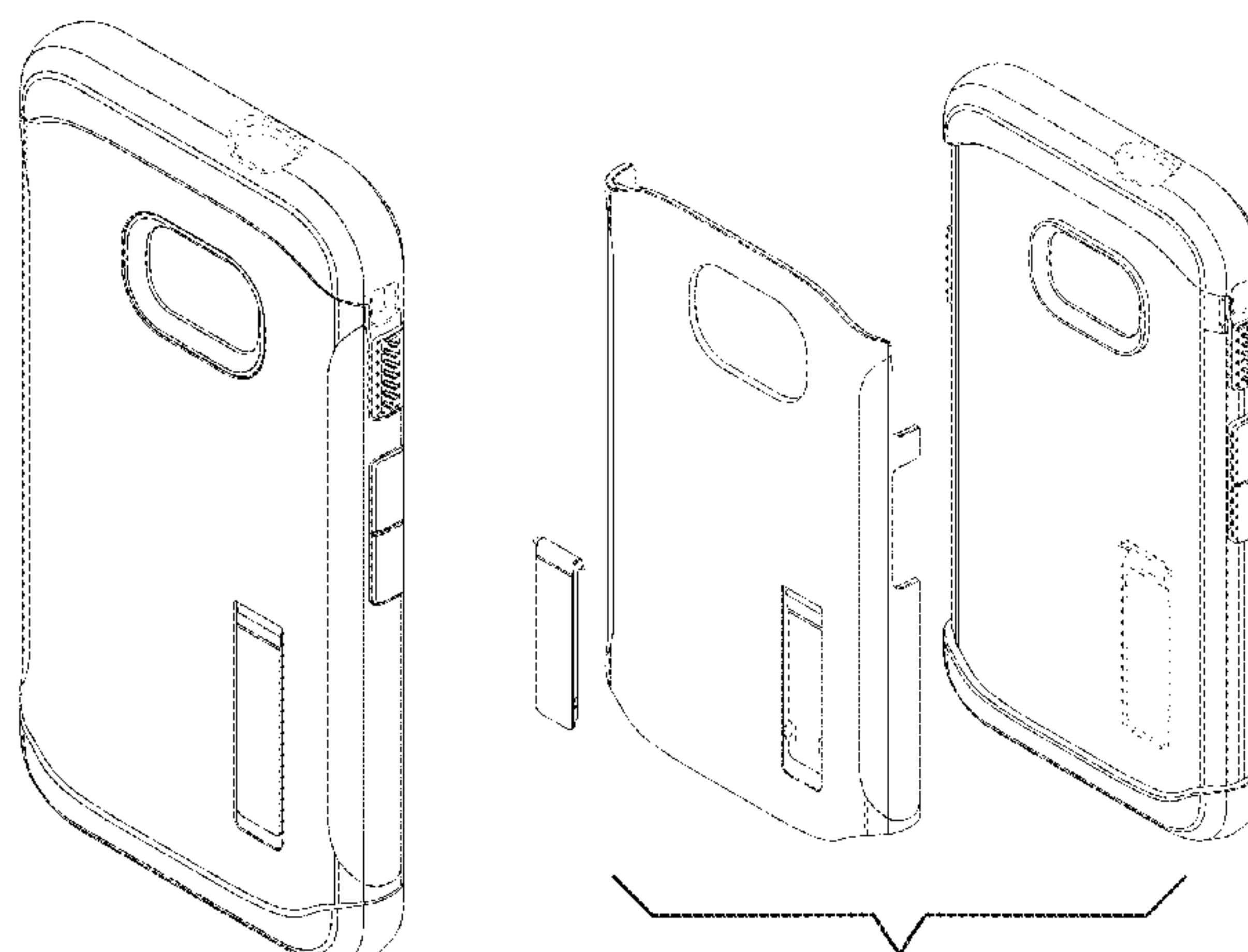
(10) **Patent No.:** **US D954,693 S**
(45) **Date of Patent:** **** *Jun. 14, 2022**

- (54) **CASE FOR ELECTRONIC COMMUNICATIONS DEVICE**
- (71) Applicant: **SPIGEN KOREA CO., LTD.**, Seoul (KR)
- (72) Inventor: **Soo Ha Jung**, Seoul (KR)
- (73) Assignee: **Spigen Korea Co., LTD.**
- (*) Notice: This patent is subject to a terminal disclaimer.
- (**) Term: **15 Years**
- (21) Appl. No.: **29/607,329**
- (22) Filed: **Jun. 12, 2017**
- (51) **LOC (13) Cl.** **14-03**
- (52) **U.S. Cl.**
USPC **D14/250**
- (58) **Field of Classification Search**
USPC D3/218, 232, 233, 239, 242, 245-251, D3/269, 273, 301, 303; D13/103, 107, D13/108, 119; D14/137, 138 R, 138 AA, D14/138 C, 138 G, 203.3-203.7, 217, D14/238.1, 247, 248, 250, 251-253, 440
CPC H04B 1/3888; H04M 1/0283; H04M 1/0202; A45C 1/06; A45C 2011/002; A45C 23/02; A45C 11/00; A45F 2005/028; A45F 2200/0525; A45F 2200/0518
See application file for complete search history.

D654,915 S *	2/2012	Weller	D14/250
D655,281 S	3/2012	Turocy		
D660,305 S *	5/2012	Ho	D14/447
D673,553 S *	1/2013	Weller	D14/250
D676,035 S *	2/2013	Chang	D14/250
D676,840 S *	2/2013	Chang	D14/250
D676,842 S *	2/2013	Weller	D14/250
D676,843 S *	2/2013	Monaco	D14/250
D676,844 S *	2/2013	Weller	D14/250
D681,615 S	5/2013	Fathollahi		
D703,646 S	4/2014	Fathollahi		
D709,649 S	4/2014	Wikel et al.		
D706,254 S	6/2014	Chang		
D706,255 S	6/2014	Akana et al.		
D714,276 S	9/2014	Hu et al.		
D718,757 S	12/2014	Jaffee		
D718,758 S	12/2014	Jaffee		
D721,072 S	1/2015	Laffon de Mazieres et al.		
D721,360 S	1/2015	Laffon de Mazieres		
D739,394 S	9/2015	Rayner et al.		
D746,273 S	12/2015	Herbst		
D746,275 S	12/2015	Mohammad		
D749,535 S	2/2016	Joung		
D753,099 S	4/2016	Kim		
D763,841 S	8/2016	Kim		
D765,634 S	9/2016	McCray et al.		
D765,638 S	9/2016	Gaylord et al.		
D765,640 S	9/2016	Bulkley et al.		
D765,645 S	9/2016	Kim		
D776,104 S	1/2017	Tien		
D776,649 S	1/2017	Kim		
D777,155 S	1/2017	Kim		
D777,156 S	1/2017	Kim		
D777,160 S	1/2017	Kim		
D777,716 S	1/2017	Kim		
D778,897 S	2/2017	Kim		
D778,898 S	2/2017	Kim		
D779,471 S	2/2017	Tien		
D780,164 S	2/2017	Lee		
D780,167 S	2/2017	Tien		
D786,852 S	5/2017	Kim		
D786,854 S	5/2017	Kim		
D787,491 S	5/2017	Kim		
D787,492 S	5/2017	Kim		
D788,090 S	5/2017	Kim		
D789,344 S	6/2017	Kim		
D797,094 S	9/2017	Kim		
D798,286 S	9/2017	Roberts et al.		
D798,853 S	10/2017	Park et al.		
D800,714 S	10/2017	Lee et al.		
D801,322 S	10/2017	Song et al.		
D801,323 S	10/2017	Kim		
2011/0050606 A1	3/2011	Zhang		

(56) **References Cited**
U.S. PATENT DOCUMENTS

D619,361 S	7/2010	Andre		
D641,154 S *	7/2011	Smith	D3/218
D643,836 S *	8/2011	Smith	D14/250
D646,265 S	10/2011	Fathollahi		
D648,715 S *	11/2011	Jones, III	D14/250
D650,371 S	12/2011	Wibby		
D654,490 S *	2/2012	Weller	D14/250
D654,491 S *	2/2012	Melanson	D14/250



2015/0335116 A1 11/2015 Kim
 2016/0204817 A1 7/2016 Kim
 2016/0269516 A1 9/2016 Kim

OTHER PUBLICATIONS

“Spigen Slim Armor iPhone 5S /SE/5 Case with Advanced Drop Protection and Dual Layer Design for iPhone 5S /Phone SE /iPhone 5—Metal Slate”, <https://www.amazon.com/dp/BOODD62R40>, Earliest review date of Dec. 14, 2012, Downloaded on Sep. 18, 2018.

“Spigen Slim Armor View Galaxy S4 Case with Automatic Sleep / Wake Feature for Galaxy S4 2013—Soul Black”, <https://www.amazon.com/dp/B00DCCVS5Y>, Earliest review date of Mar. 18, 2013, Downloaded on Feb. 19, 2019.

“Spigen Slim Armor Nexus 5 Case with Air Cushion Technology and Hybrid Drop Protection for Nexus 5 2013—Infinity White”, <https://www.amazon.com/dp/B00EV8Y7XI>, Earliest review date of Nov. 4, 2013, Downloaded on Jan. 16, 2019.

“Spigen Slim Armor View Galaxy S5 Case with Automatic Sleep / Wake Feature for Samsung Galaxy S5 2014—View Smooth White”, <https://www.amazon.com/dp/B00KGG02EI>, Earliest review date of Jan. 18, 2014, Downloaded on Jan. 16, 2019.

“Spigen Slim Armor Galaxy S5 Case with Air Cushion Technology and Hybrid Drop Protection for Samsung Galaxy S5 2014—Metal Slate”, <https://www.amazon.com/dp/B00I3UWD7C>, Earliest review date of Apr. 11, 2014, Downloaded on Sep. 18, 2018.

“Spigen Slim Armor LG G3 Case with Air Cushion Technology and Hybrid Drop Protection for LG G3 2014—Metal Slate”, <https://www.amazon.com/dp/B00JQI2G50>, Earliest review date of Jul. 9, 2014, Downloaded on Jan. 16, 2019.

“Spigen Slim Armor iPhone 6 Case with Air Cushion Technology and Hybrid Drop Protection for iPhone 6 2014—Gunmetal”, <https://www.amazon.com/dp/B00JH88GB6>, Earliest review date of Aug. 13, 2014, Downloaded on Sep. 18, 2018.

“Spigen Slim Armor iPhone 6 Plus Case with Air Cushion Technology and Hybrid Drop Protection for iPhone 6S Plus /Phone 6 Plus—Shimmery White”, <https://www.amazon.com/dp/B00JH83C6U>, Earliest review date of Sep. 12, 2014, Downloaded on Sep. 18, 2018.

“Spigen Slim Armor Galaxy Note 4 Case with Air Cushion Technology and Hybrid Drop Protection for Samsung Galaxy Note 4 2014—Shimmery White”, <https://www.amazon.com/dp/BOOMAWQPJQ>, Earliest review date of Oct. 7, 2014, Downloaded on Jul. 30, 2018.

“Spigen Slim Armor Galaxy S6 Case with Air Cushion Technology and Hybrid Drop Protection with Kickstand for Samsung Galaxy S6 (2015)—Shimmery White”, <https://www.amazon.com/dp/BOOQU4NQMY>, Earliest review date of Mar. 21, 2015, Downloaded on Sep. 18, 2018.

“Spigen Slim Armor HTC One M9 Case with Kickstand and Air Cushion Technology Hybrid Drop Protection for HTC Dne M9 2015—Metal Slate”, <https://www.amazon.com/dp/BOOSNOTASI>, Earliest review date of Mar. 31, 2015, Downloaded on Jan. 16, 2019.

Spigen Slim Armor Galaxy S6 Edge Case with Kickstand and Air Cushion Technology and Hybrid Drop Protection for Galaxy S6 Edge 2015—Gunmetal, <https://www.amazon.com/dp/BOOSV638ZE>, Earliest review date of Apr. 3, 2015, Downloaded on Sep. 18, 2018.

“Spigen Slim Armor Galaxy Note 5 Case with Air Cushion Technology and Hybrid Drop Protection for Galaxy Note 5 2015—Metal Slate”, <https://www.amazon.com/dp/B010MWHIKA>, Earliest review date of Aug. 21, 2015, Downloaded an Jul. 18, 2018.

“Spigen Slim Armor iPhone 6S Case with Kickstand and Air Cushion Technology Hybrid Drop Protection for iPhone 6S 2015—Rose Gold”, <https://www.amazon.com/dp/B012PKFAQ6>, Earliest review date of Sep. 1, 2015, Downloaded on Sep. 18, 2018.

“Spigen Slim Armor LG V10 Case with Air Cushion Technology and Hybrid Drop Protection for Lg V10—Gunmetal”, <https://www.amazon.com/dp/B016X1FODW>, Earliest review date of Nov. 16, 2015, Downloaded on Sep. 18, 2018.

“Spigen Slim Armor Galaxy S7 Edge Case with Kickstand and Air Cushion Technology and Hybrid Drop Protection for Samsung

Galaxy S7 Edge 2016—Champagne Gold”, <https://www.amazon.com/dp/B01BEBBWY6>, Earliest review date of Feb. 26, 2016, Downloaded on Sep. 18, 2018.

“Spigen Slim Armor Galaxy S7 Case with Air Cushion Technology and Hybrid Drop Protection for Samsung Galaxy S7 2016—Violet”, <https://www.amazon.com/dp/B01AUR1D8K>, Earliest review date of Mar. 2, 2016, Downloaded on Sep. 18, 2018.

“Spigen Slim Armor iPhone SE Case with Air Cushion Technology and Hybrid Drop Protection for iPhone SE 2016—Rose Gold”, <https://www.amazon.com/dp/B01BEJOH5E>, Earliest review date of Apr. 6, 2016, Downloaded on Jan. 16, 2019.

“Spigen Slim Armor LG G5 Case with Air Cushion Technology and Hybrid Drop Protection for Lg G5 2016—Shimmery White”, <https://www.amazon.com/dp/B01B1GQIHA>, Earliest review date of Apr. 7, 2016, Downloaded on Sep. 18, 2018.

“Spigen Slim Armor HTC 10 Case with Kickstand and Air Cushion Technology Hybrid Drop Protection for HTC 10 2016—Champagne Gold”, <https://www.amazon.com/dp/B01DAN2WTA>, Earliest review date of May 6, 2016, Downloaded on Jan. 16, 2019.

* cited by examiner

Primary Examiner — L. A. Grabenstetter

(74) *Attorney, Agent, or Firm* — Heedong Chae; Lucem, PC

(57)

CLAIM

The ornamental design for a case for electronic communications device, as shown and described.

DESCRIPTION

FIG. 1 is a front perspective view of a case for electronic communications device showing my new design;

FIG. 2 is a rear perspective view thereof;

FIG. 3 is a front elevational view thereof;

FIG. 4 is a rear elevational view thereof;

FIG. 5 is a left side elevational view thereof;

FIG. 6 is a right side elevational view thereof;

FIG. 7 is a top plan view thereof;

FIG. 8 is a bottom plan view thereof;

FIG. 9 is a rear perspective view of the case with a support leg extended,

FIG. 10 is a front exploded perspective view of the case, showing an inner shell, the support leg, and an outer frame of the case;

FIG. 11 is a rear exploded perspective view of the case, showing an inner shell, the support leg, and an outer frame of the case;

FIG. 12 is a front perspective view of the inner shell of the case, shown isolated for clarity of disclosure;

FIG. 13 is a rear perspective view of the inner shell of the case, shown isolated for clarity of disclosure;

FIG. 14 is a front perspective view of the support leg of the case, shown isolated for clarity of disclosure;

FIG. 15 is a rear perspective view of the support leg of the case, shown isolated for clarity of disclosure;

FIG. 16 is a front perspective view of the outer frame of the case, shown isolated for clarity of disclosure; and,

FIG. 17 is a rear perspective view of the outer frame of the case, shown isolated for clarity of disclosure.

Although the case for electronic communications device in which the design is embodied consists of an inner shell, an outer frame, and support leg, the claim is directed to the ornamental appearance of the case for electronic communications device in its entirety and does not extend to the

ornamental appearance of each of the individual components of the case for electronic communications device.

The broken lines depict portions of the case for electronic communications device that form no part of the claimed design.

1 Claim, 17 Drawing Sheets

FIG. 1

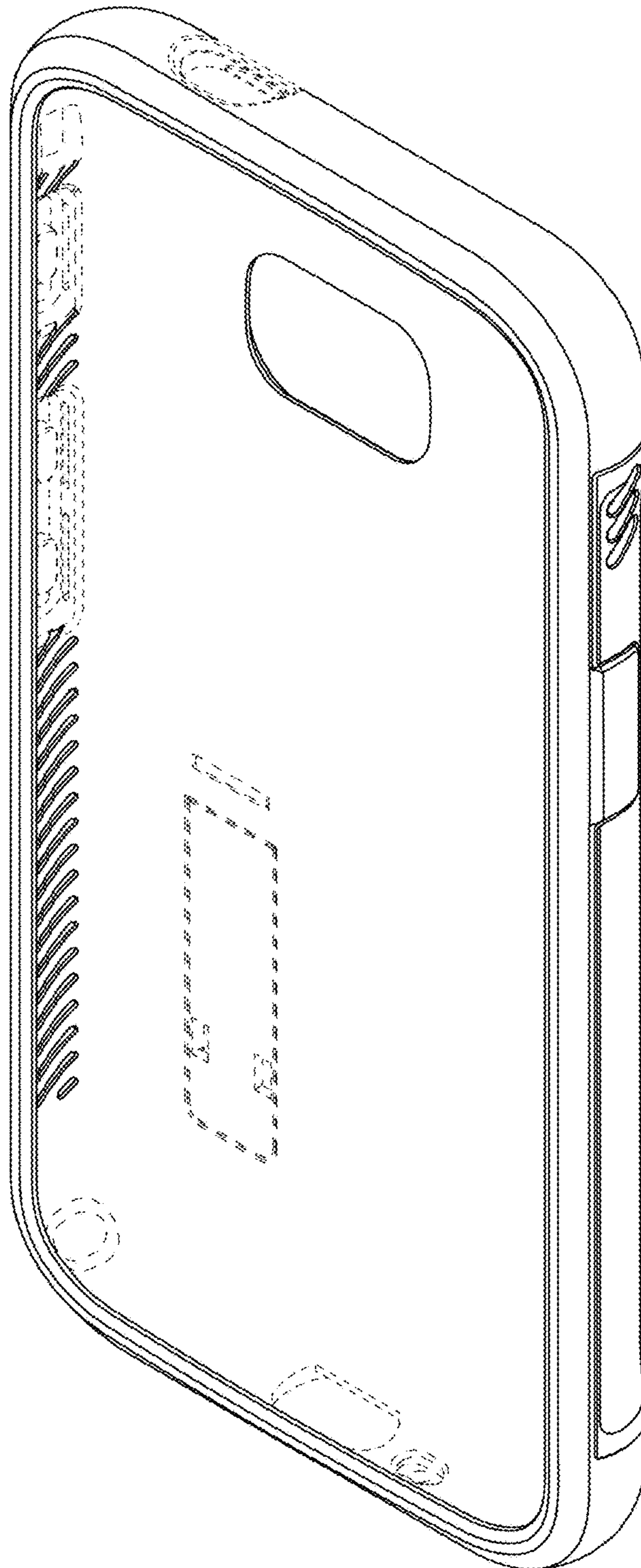


FIG. 2

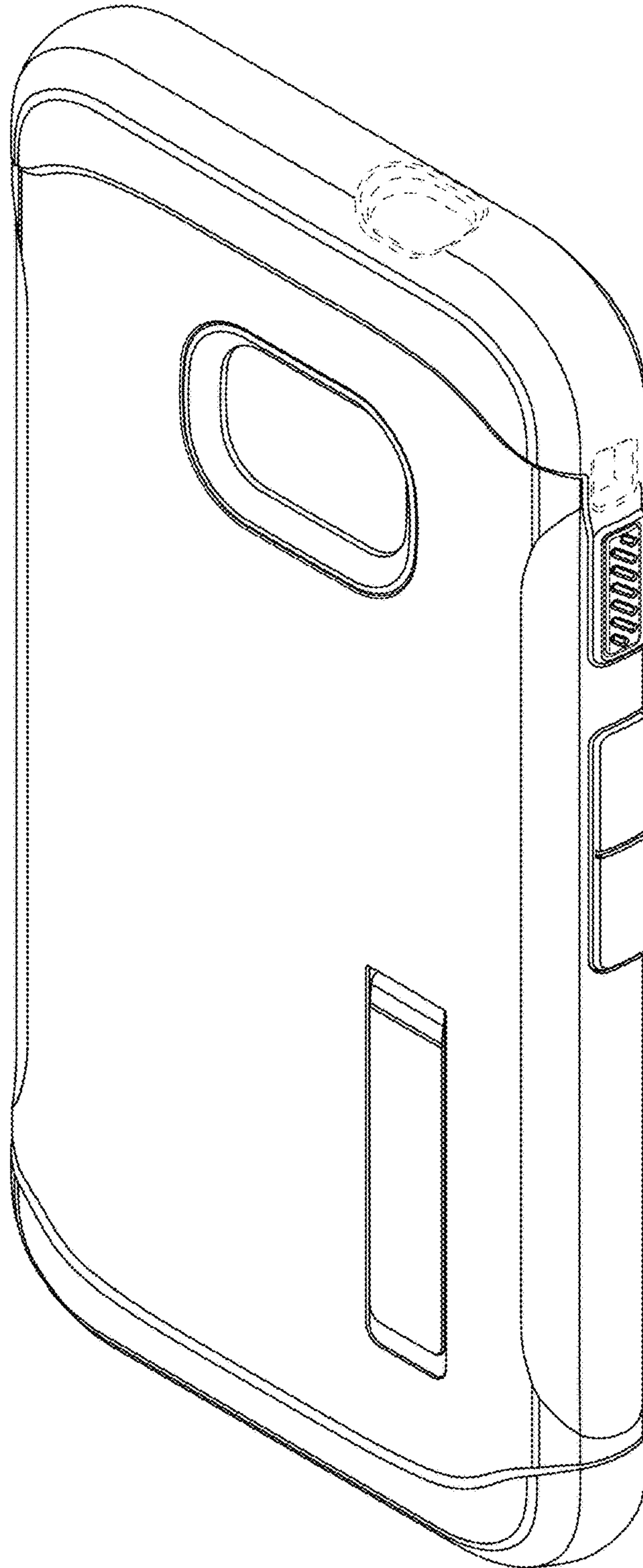


FIG. 3

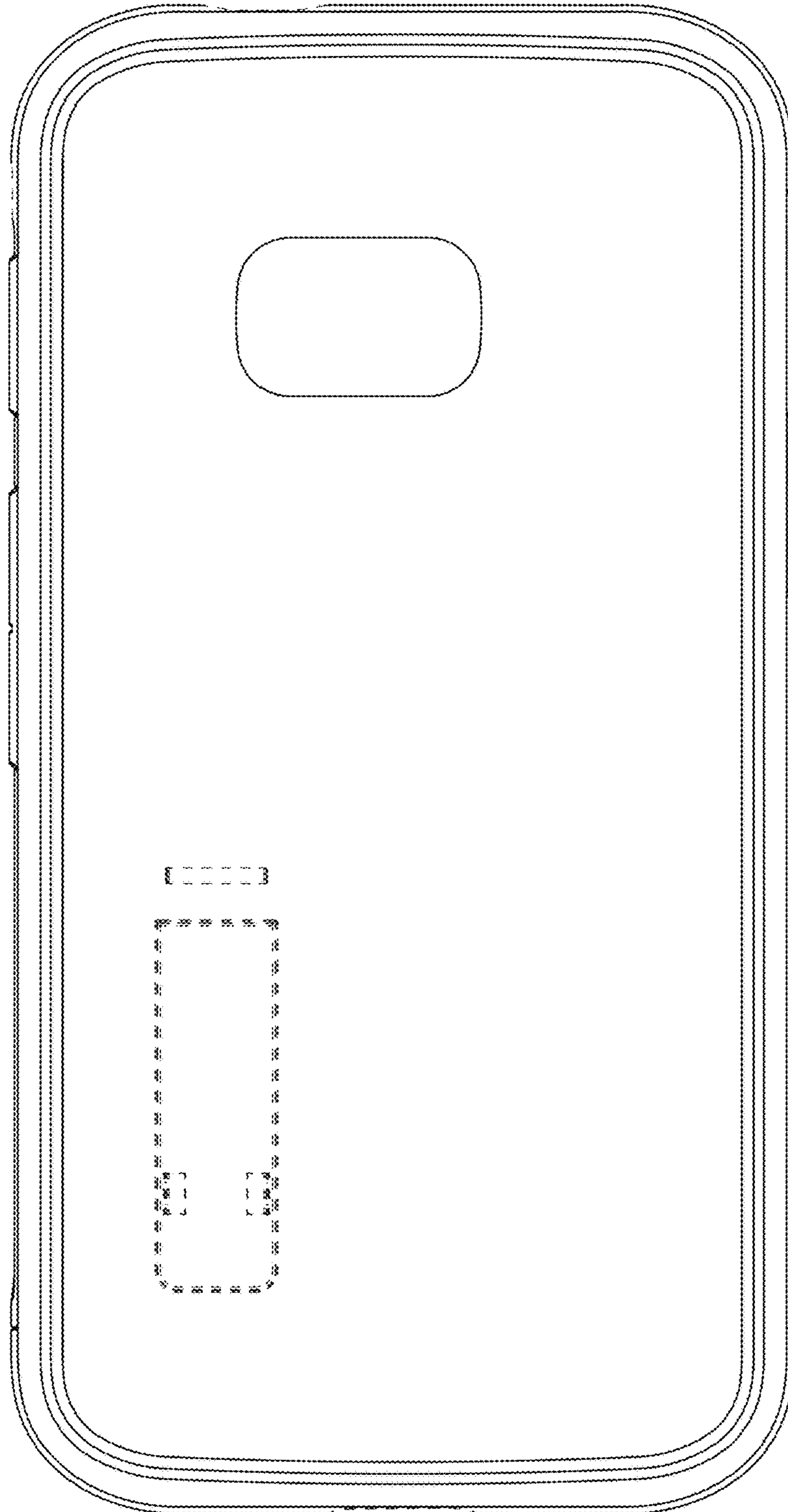


FIG. 4

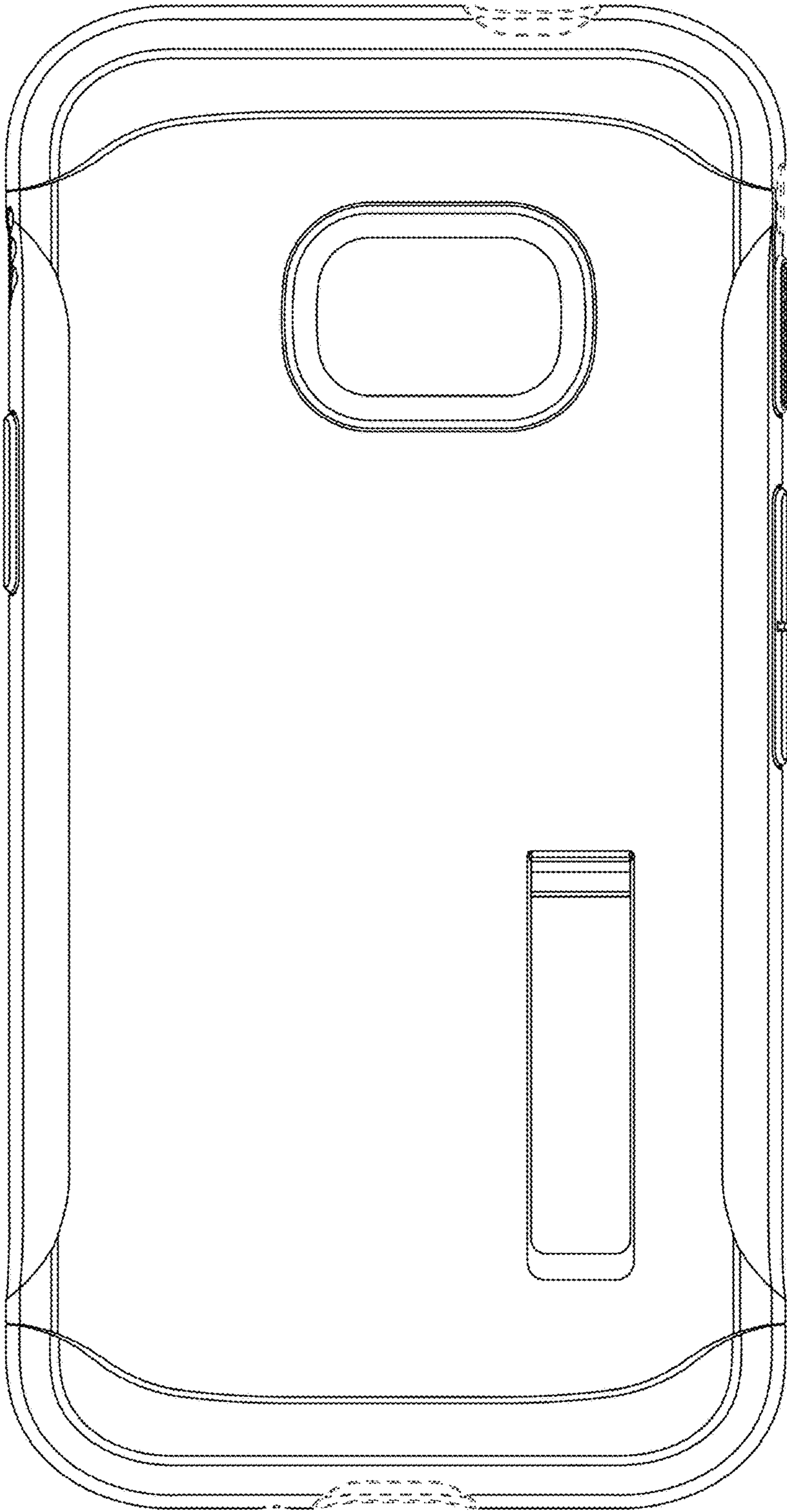


FIG. 5

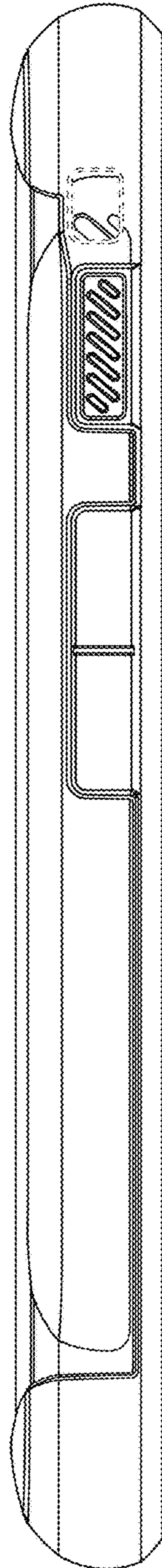


FIG. 6

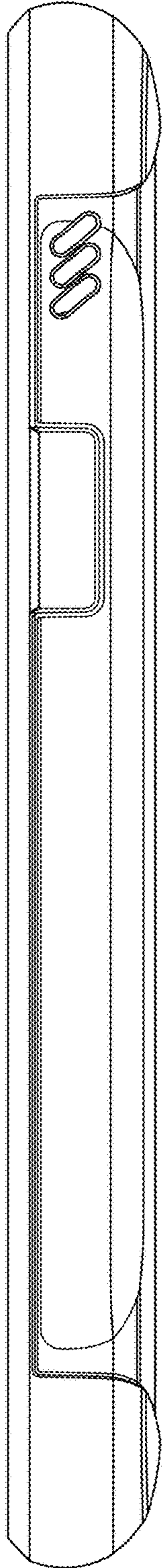


FIG. 7

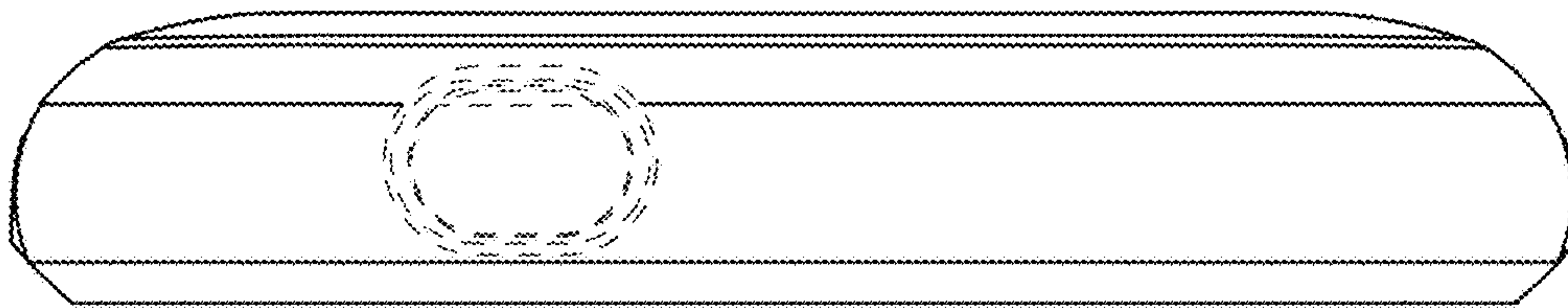


FIG. 8

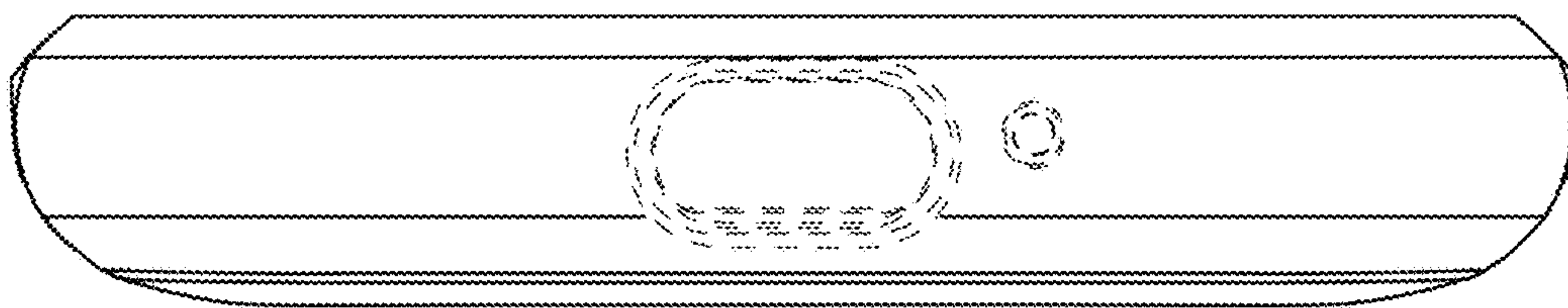


FIG. 9

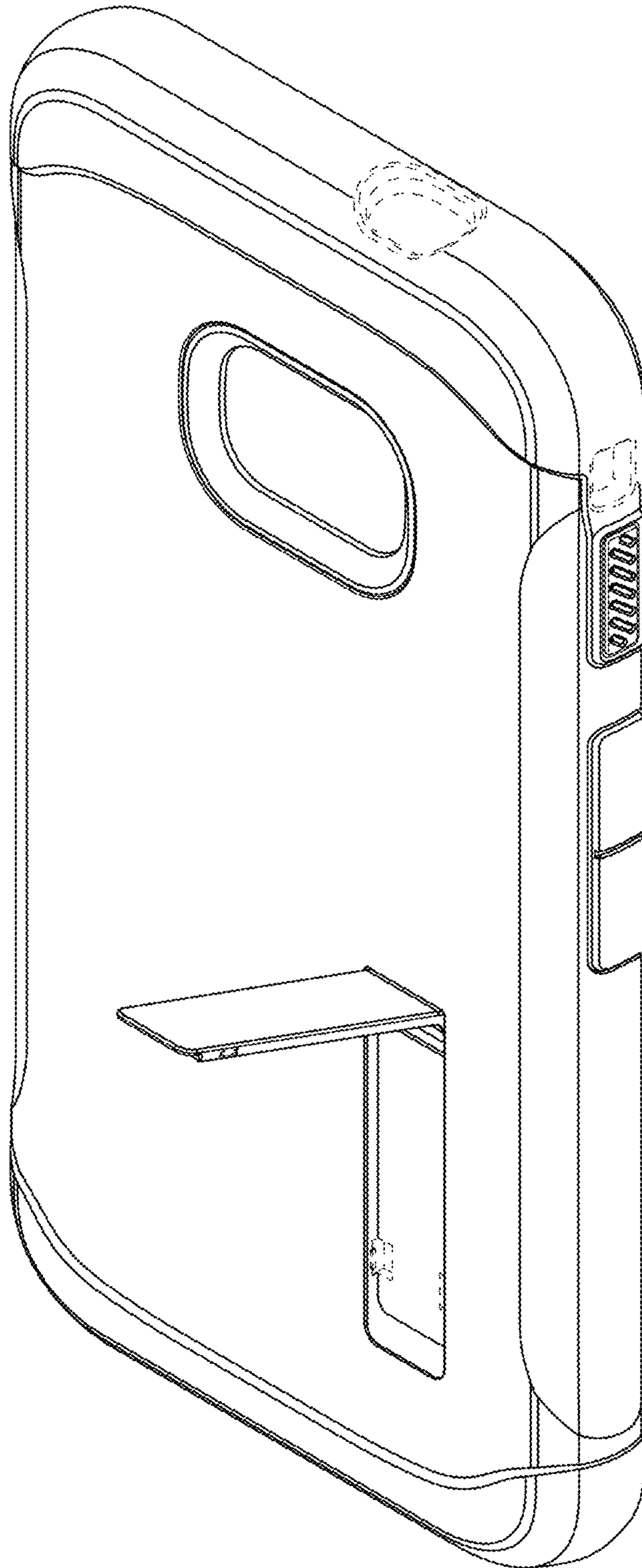


FIG. 10

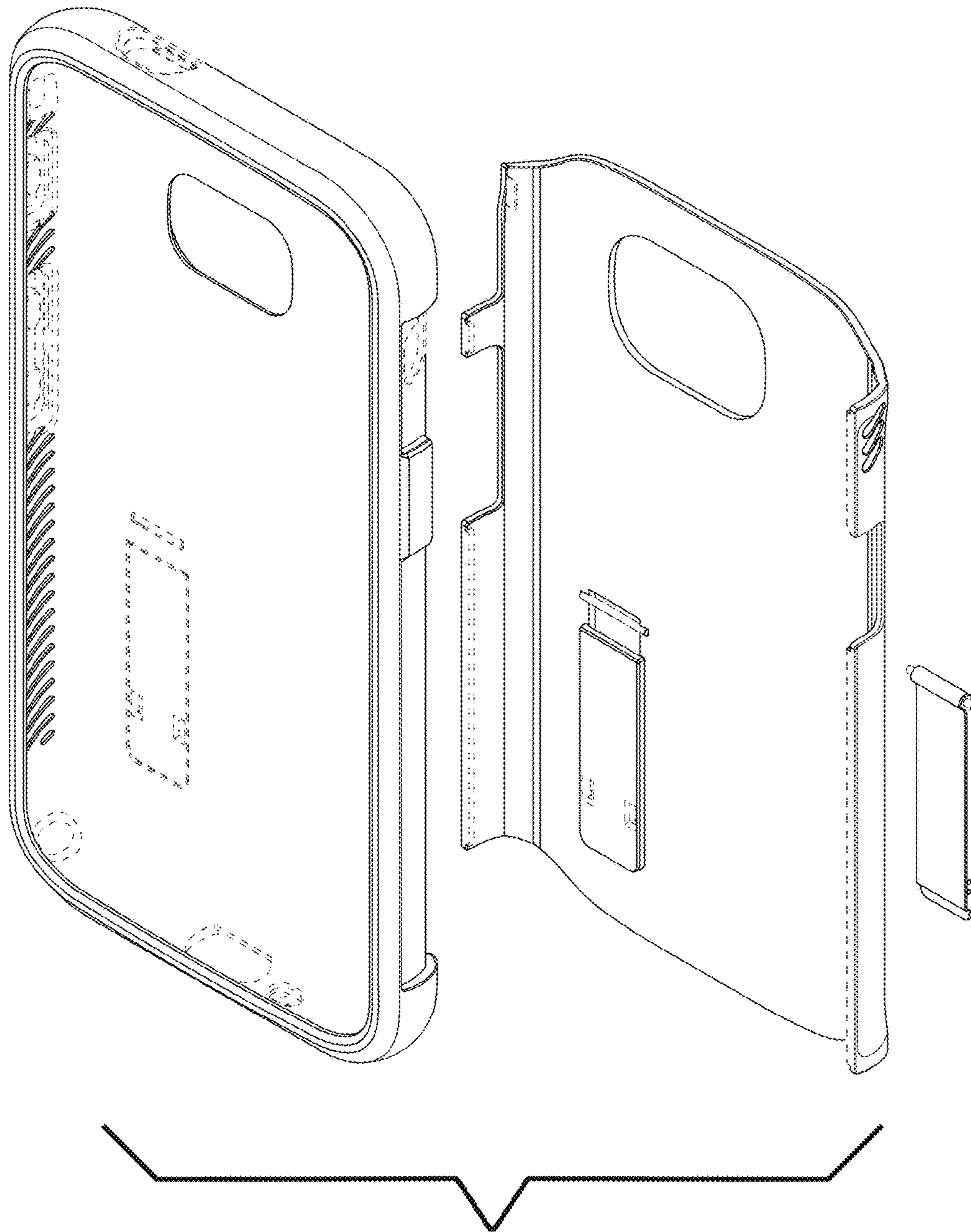


FIG. 11

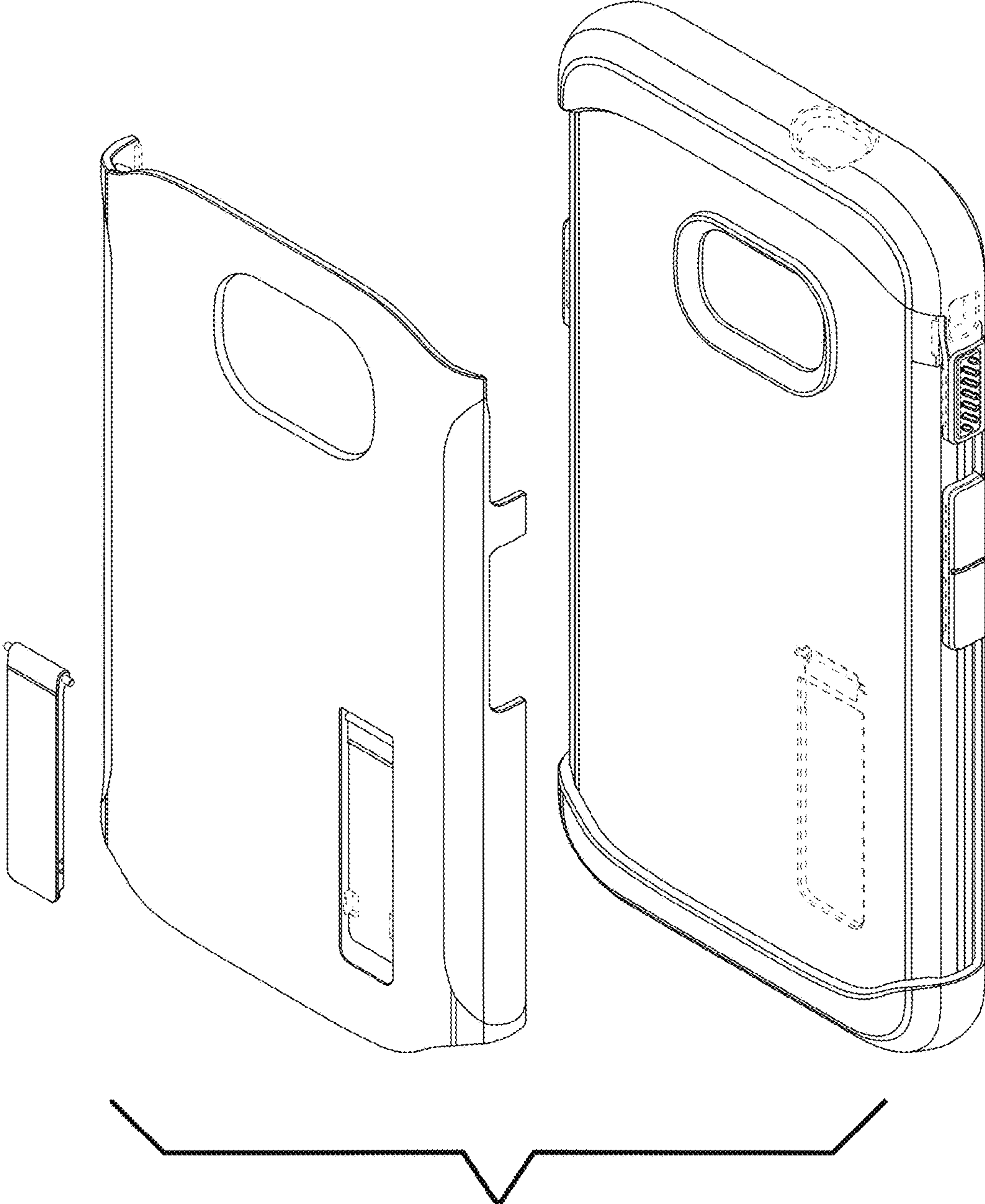


FIG. 12

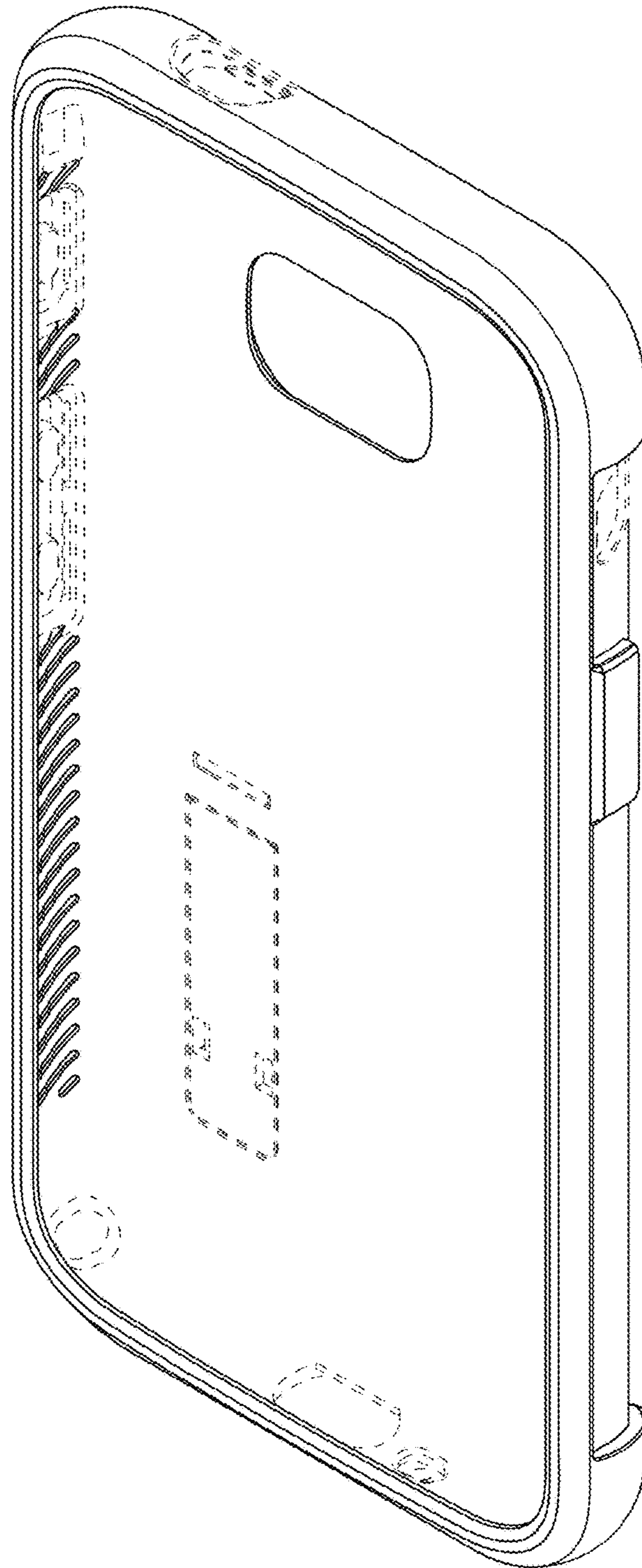


FIG. 13

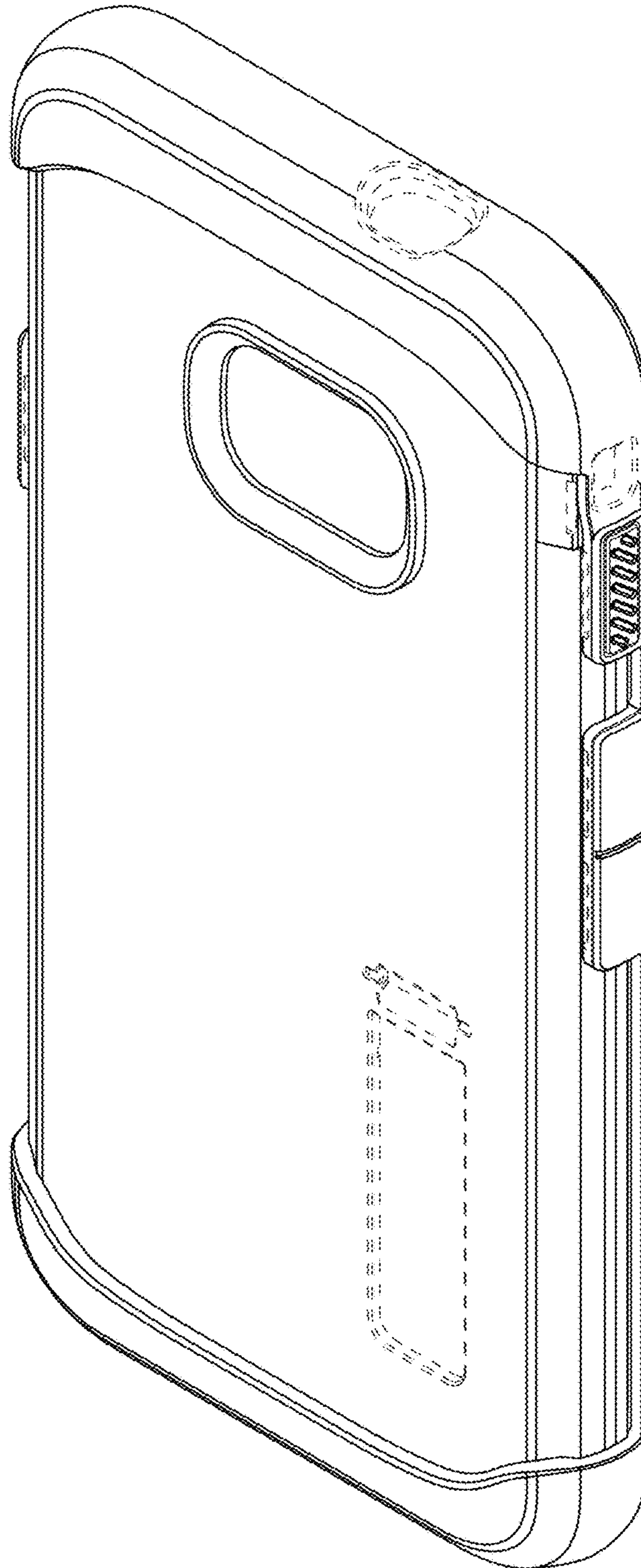


FIG. 14

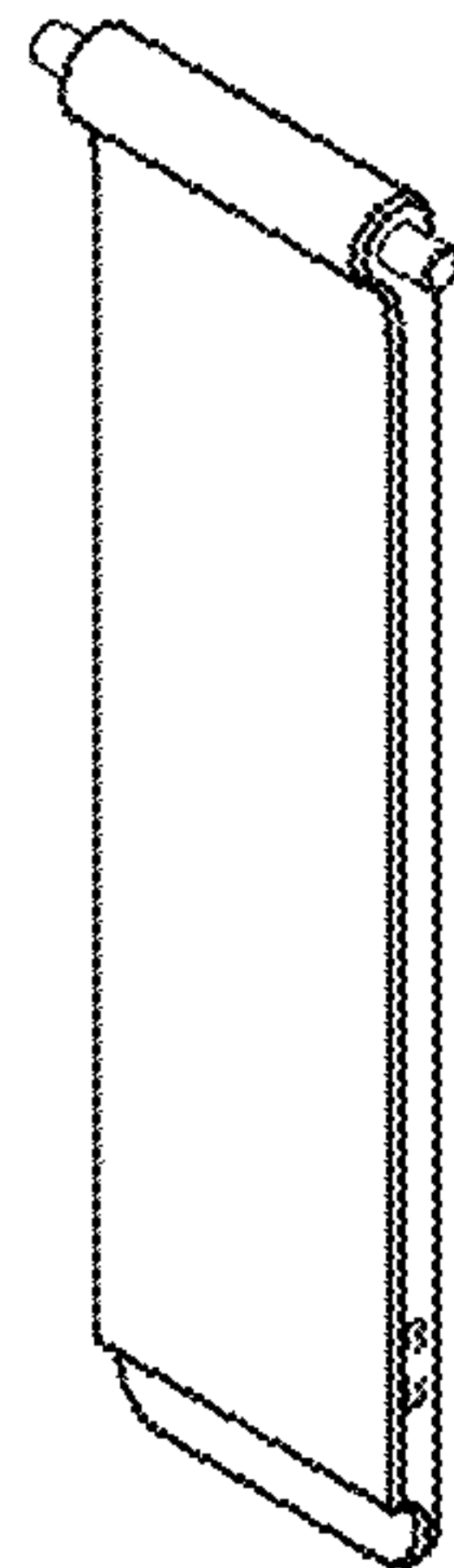


FIG. 15

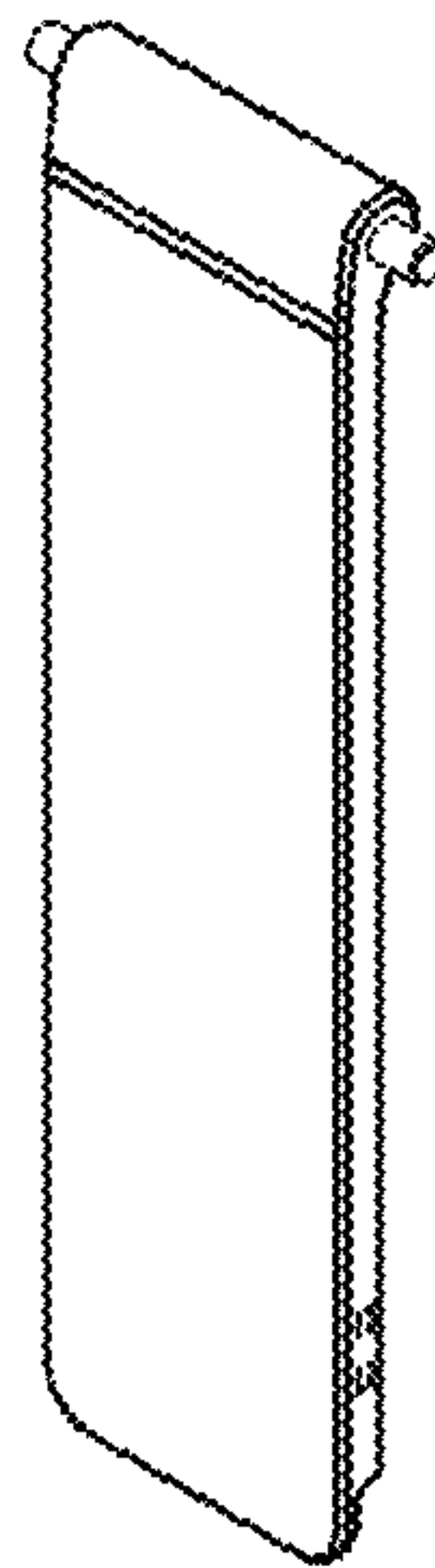


FIG. 16

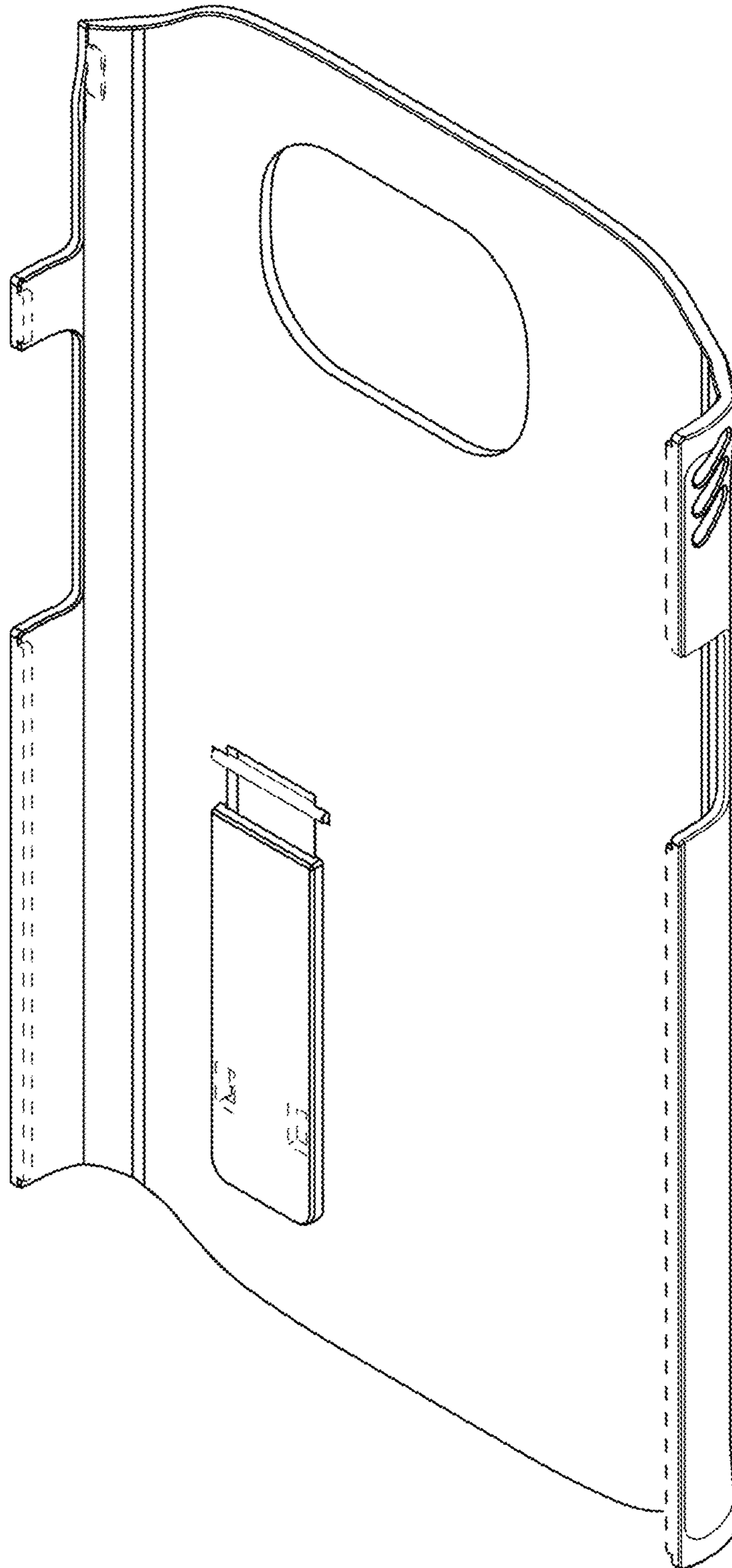


FIG. 17

