



US00D954690S

(12) **United States Design Patent**
Panther et al.

(10) **Patent No.:** **US D954,690 S**
(45) **Date of Patent:** **** Jun. 14, 2022**

- (54) **FACETED BARREL ANTENNA HOUSING**
- (71) Applicant: **Tallysman Wireless Inc.**, Kanata (CA)
- (72) Inventors: **Gyles Panther**, Kanata (CA); **Chloe Xiao**, Kanata (CA)
- (73) Assignee: **Tallysman Wireless Inc.**, Kanata (CA)
- (**) Term: **15 Years**
- (21) Appl. No.: **29/689,393**

D752,998 S * 4/2016 Robinson D10/65
 D787,669 S * 5/2017 Huang D24/130
 (Continued)

FOREIGN PATENT DOCUMENTS

CN 306503230 * 4/2021
 CN 307019156 * 12/2021

OTHER PUBLICATIONS

HC860 Dual-Purpose . . . , available at tallysman.com, published date 2019, [site visited Jan. 24, 2022], Available from the internet URL: <https://www.tallysman.com/app/uploads/2021/06/Tallysman%20C2%AE-HC860-Datasheet.pdf> (Year: 2019).*

(Continued)

Primary Examiner — Daniel J Domino
Assistant Examiner — Samina Vieth
 (74) *Attorney, Agent, or Firm* — Rosenberg, Klein & Lee

- (22) Filed: **Apr. 29, 2019**
- (51) **LOC (13) Cl.** **14-03**
- (52) **U.S. Cl.**
USPC **D14/230**
- (58) **Field of Classification Search**
USPC D14/230, 231; D19/168, 169; D8/394
CPC H01Q 1/36; H01Q 11/08; H01Q 1/088;
G01R 29/10; G01S 2013/025; G01S 2013/0254; G01S 2013/0263; G08B 13/2477; G08B 13/2468; G05B 2219/45001; G06K 19/07773; G06K 19/07777

See application file for complete search history.

(57) **CLAIM**

The ornamental design for a faceted barrel antenna housing, as shown and described.

(56) **References Cited**

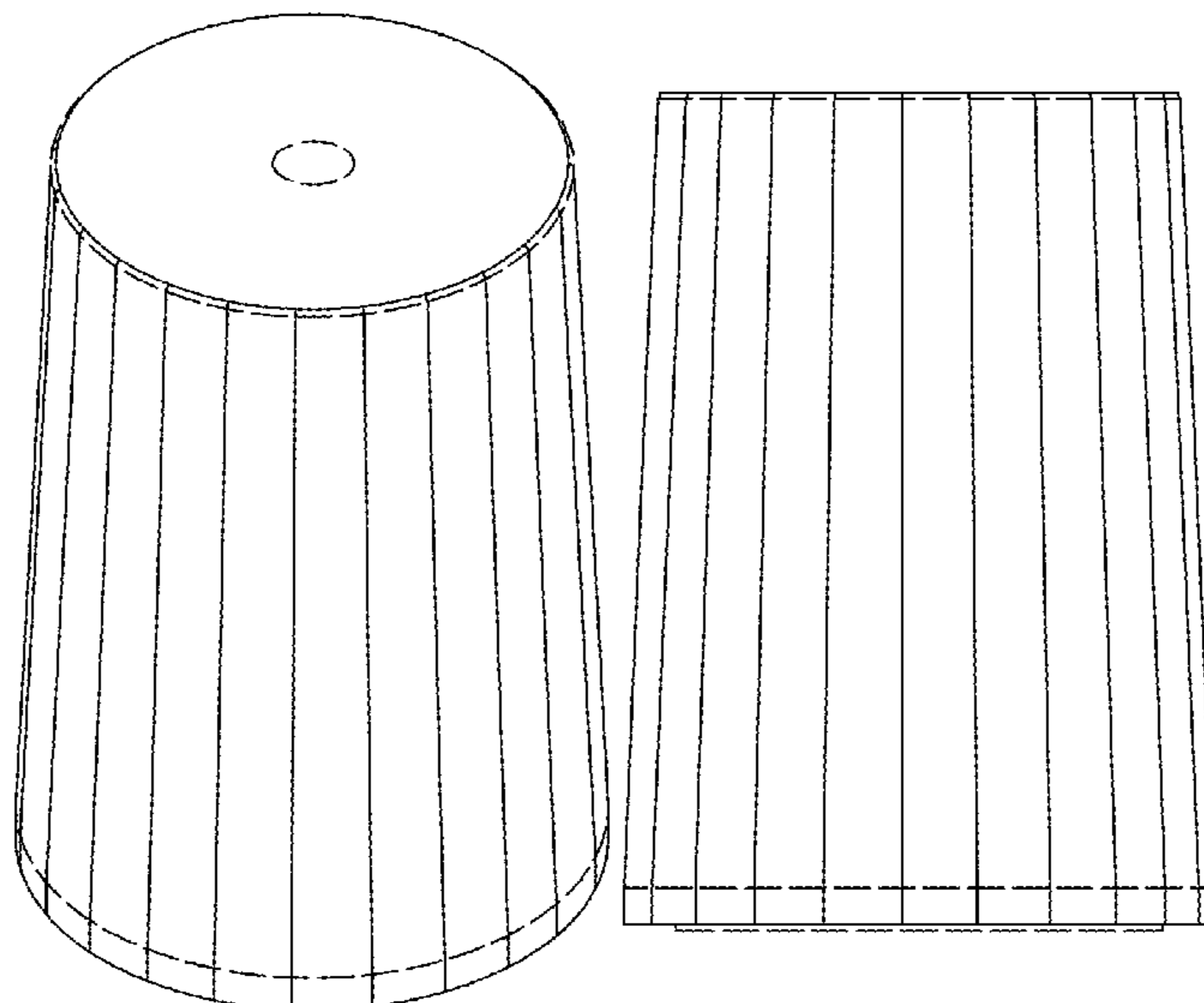
U.S. PATENT DOCUMENTS

- D218,593 S * 9/1970 Hart D7/597
- D242,942 S * 1/1977 Brudy D10/111
- D328,009 S * 7/1992 Kornick D7/591
- D390,566 S * 2/1998 Martek D14/230
- D390,569 S * 2/1998 Martek D14/233
- D393,205 S * 4/1998 Jansen D9/503
- D402,991 S * 12/1998 Mosser D14/230
- D408,531 S * 4/1999 King D24/114
- D418,019 S * 12/1999 De-La-Garza D7/597
- D431,069 S * 9/2000 Heren D23/226
- D442,947 S * 5/2001 Warner D14/230
- D494,677 S * 8/2004 Garvin D24/130
- D589,612 S * 3/2009 Sudo D24/130
- D639,386 S * 6/2011 Cummings D23/213
- D682,909 S * 5/2013 Kim D16/219
- D713,029 S * 9/2014 Shiraiishi D24/130
- D747,440 S * 1/2016 Naslund D23/213

DESCRIPTION

FIG. 1 is a perspective view of a faceted barrel antenna housing;
 FIG. 2 is a side view thereof;
 FIG. 3 is a bottom view thereof;
 FIG. 4 is a perspective view of a second embodiment;
 FIG. 5 is a side view thereof;
 FIG. 6 is a bottom view thereof;
 FIG. 7 is a perspective view of a third embodiment;
 FIG. 8 is a perspective view of a fourth embodiment; and,
 FIG. 9 is a perspective view of a fifth embodiment.
 The broken lines showing portions of the article form no part of the claimed design.

1 Claim, 3 Drawing Sheets



(56)

References Cited

U.S. PATENT DOCUMENTS

D800,411	S	*	10/2017	Cutler	D34/39
D809,310	S	*	2/2018	Mathur	D6/352
D825,749	S	*	8/2018	Huang	D24/130
D826,746	S	*	8/2018	Qiu	D10/70
D868,017	S	*	11/2019	Aaron	D14/140.6
D893,592	S	*	8/2020	Ishida	D18/19
D906,143	S	*	12/2020	Amamiya	D10/81
D933,781	S	*	10/2021	Masalin	D23/223
D935,915	S	*	11/2021	Ding	D10/70
2008/0316138	A1	*	12/2008	Tavassoli Hozouri	...	H01Q 1/36 343/859
2010/0177014	A1	*	7/2010	Min	H01Q 11/08 343/895

OTHER PUBLICATIONS

M7HCT-A-SMA, available at farnell.com, published date Feb. 24, 2019, [site visited Jan. 24, 2022], Available from the internet URL: <https://www.farnell.com/datasheets/3122678.pdf> (Year: 2019).*

Trimble AV17 Antenna, available at hypertech.co.il, published date 2020, [site visited Jan. 24, 2022], Available from the internet URL: https://www.hypertech.co.il/wp-content/uploads/2015/12/Trimble_Av17_Antenna_DS_2020.pdf (Year: 2020).*

Trimble AV16 UAG/HELIX . . . , available at terrisgps.com, oldest date Nov. 21, 2019, [site visited Jan. 24, 2022], Available from the internet URL: <http://www.terrisgps.com/product/trimble-av16-uav-helix-gnss-antenna/> (Year: 2019).*

Tallysman launches helical antennas at Xponential 2019, announced in YouTube on date [May 1, 2019], [Jan. 24, 2022], Available from the internet URL: <https://www.youtube.com/watch?v=R9-xDFnKL-g> (Year: 2019).*

Reach M2 Multi-band GNSS antenna . . . , available at e38surveysolutions.com, oldest date Jan. 26, 2019, [site visited Jan. 24, 2022], Available from the internet URL: <https://e38surveysolutions.com/products/multi-band-gnss-antenna-for-reach-m2> (Year: 2019).*

Bevel-Top Knob, available at stewmac.com, oldest review date Dec. 15, 2010, [site visited Jan. 24, 2022], Available from the internet URL: <https://www.tallysman.com/app/uploads/2021/06/Tallysman%20%AE-HC860-Datasheet.pdf> (Year: 2010).*

* cited by examiner

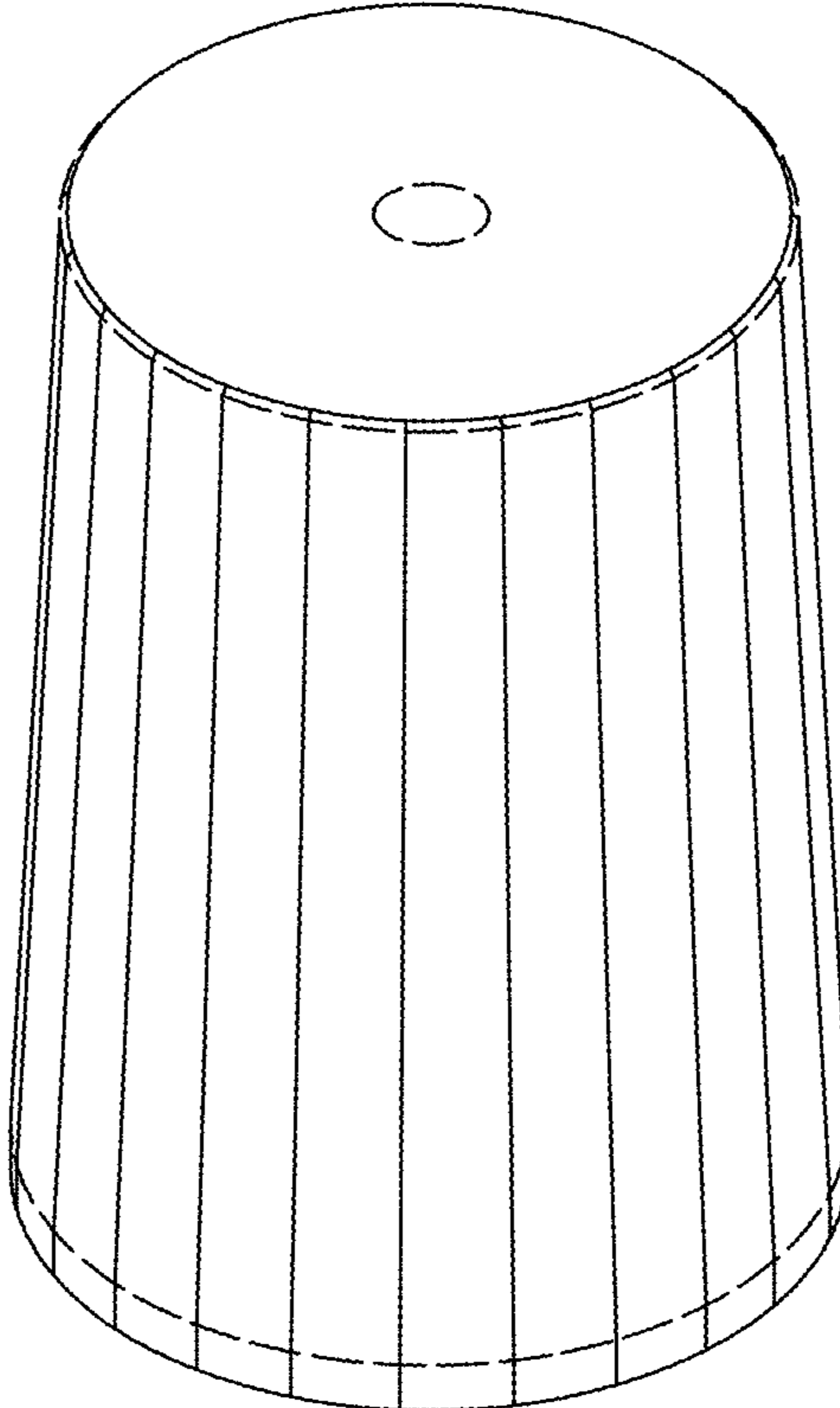


FIG. 1

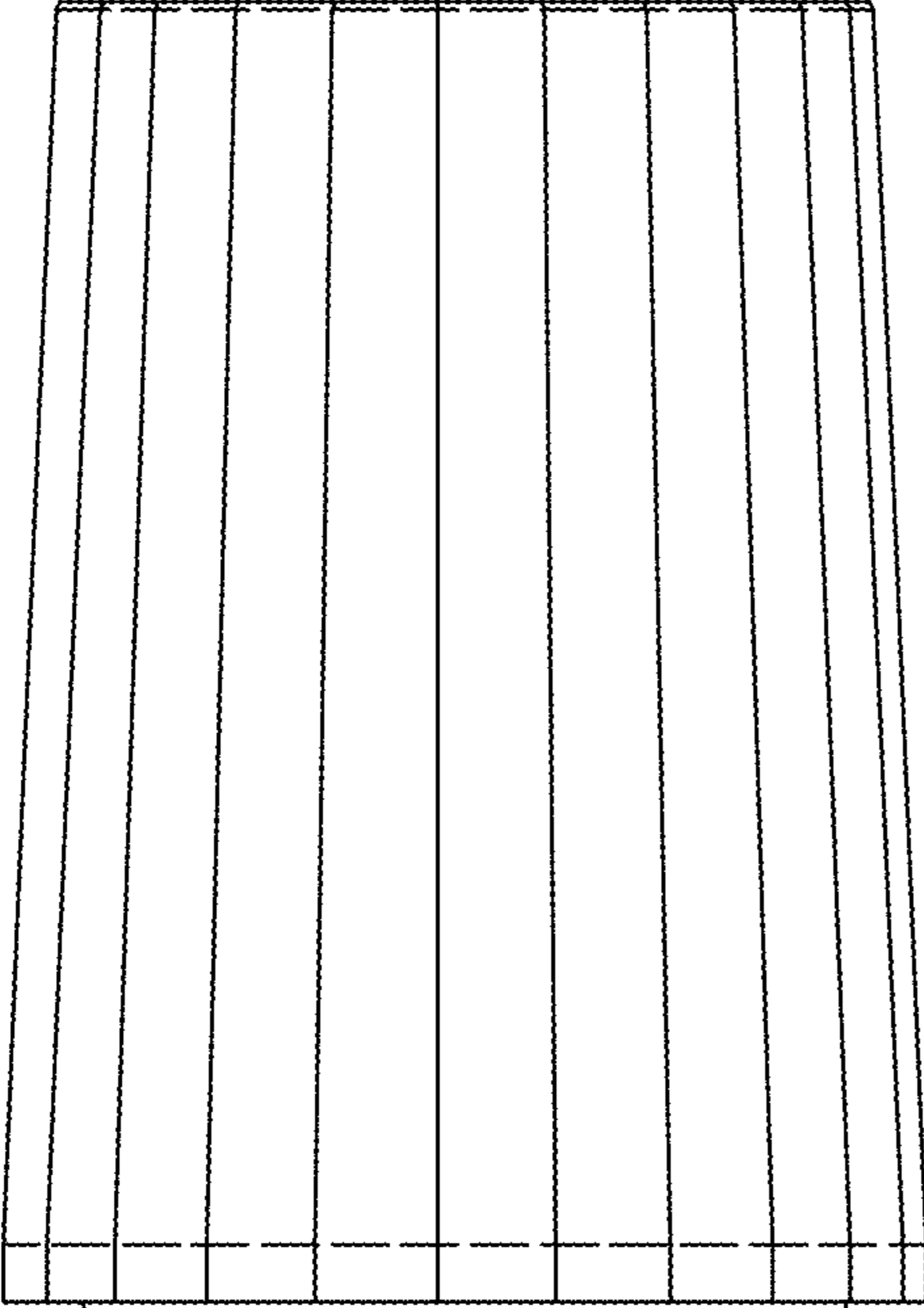


FIG. 2

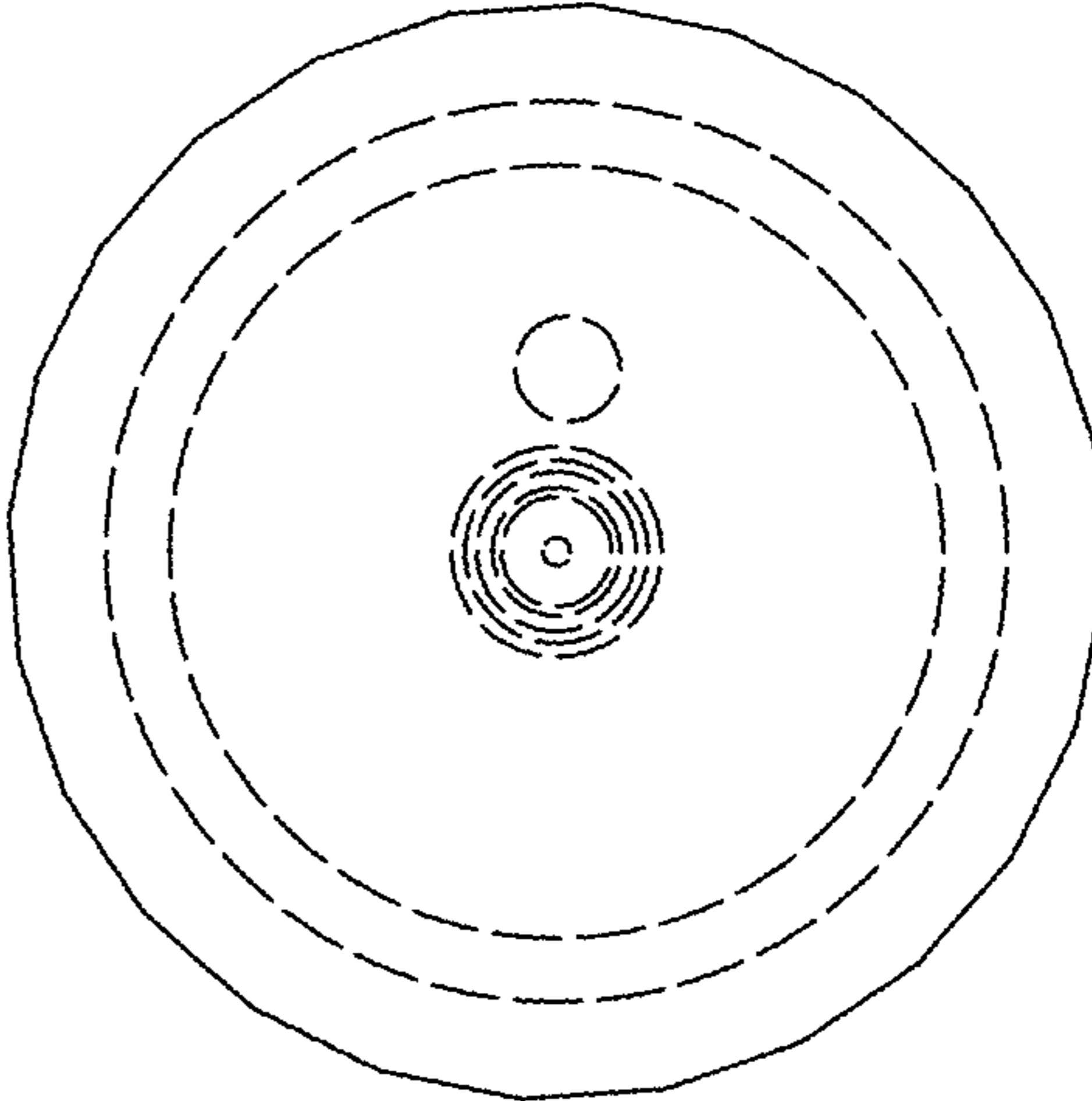


FIG. 3

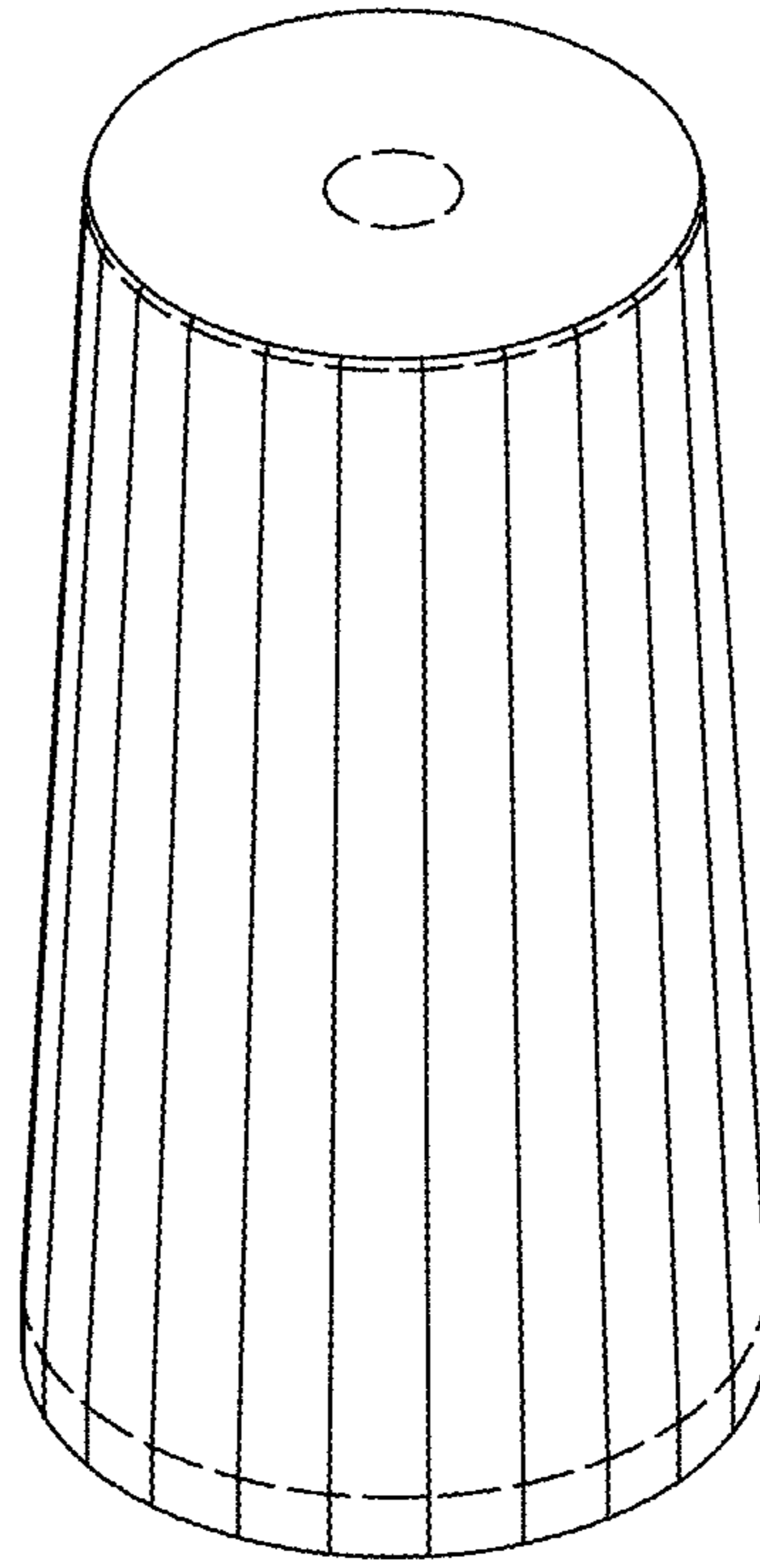


FIG. 4

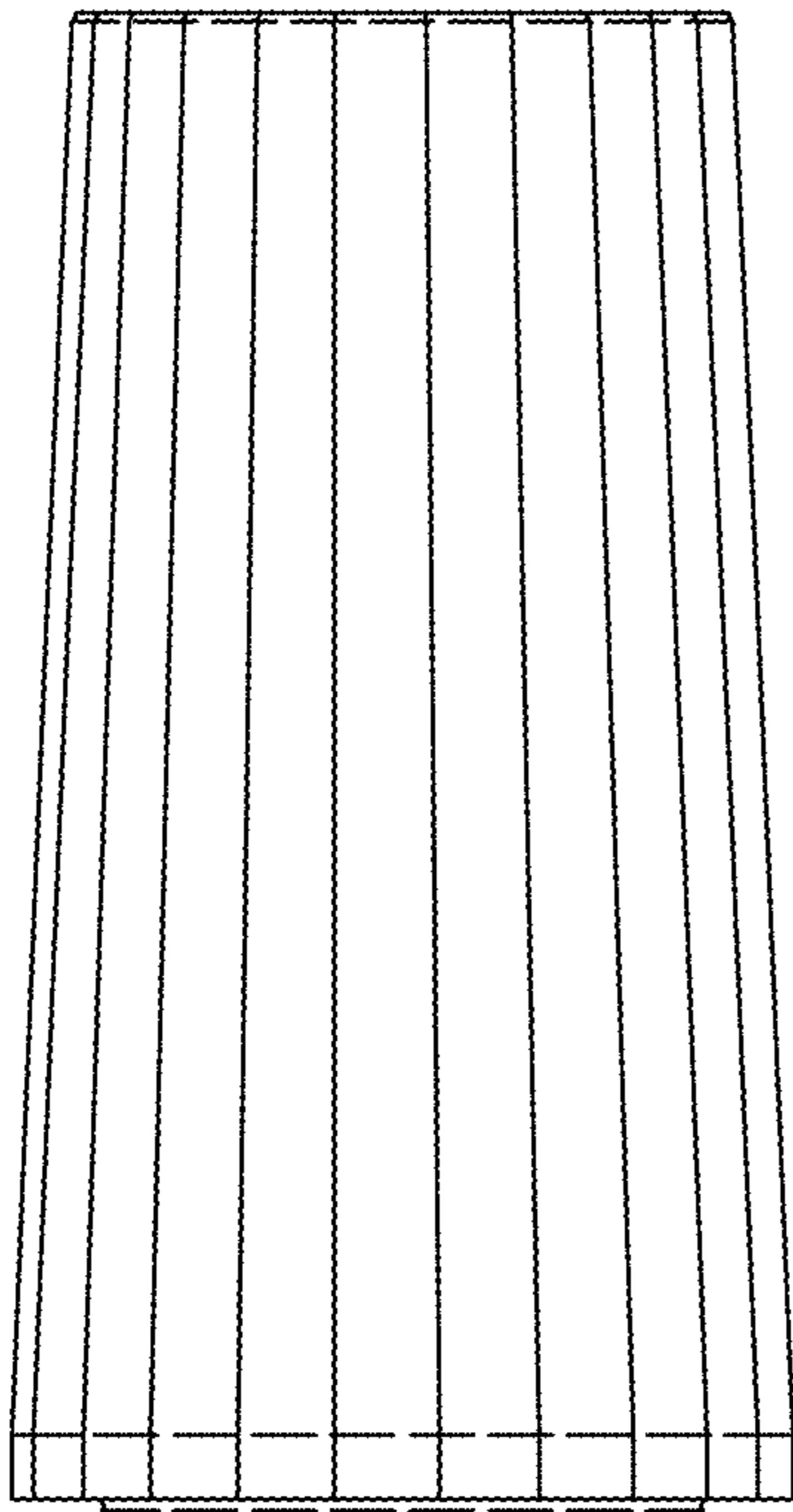


FIG. 5

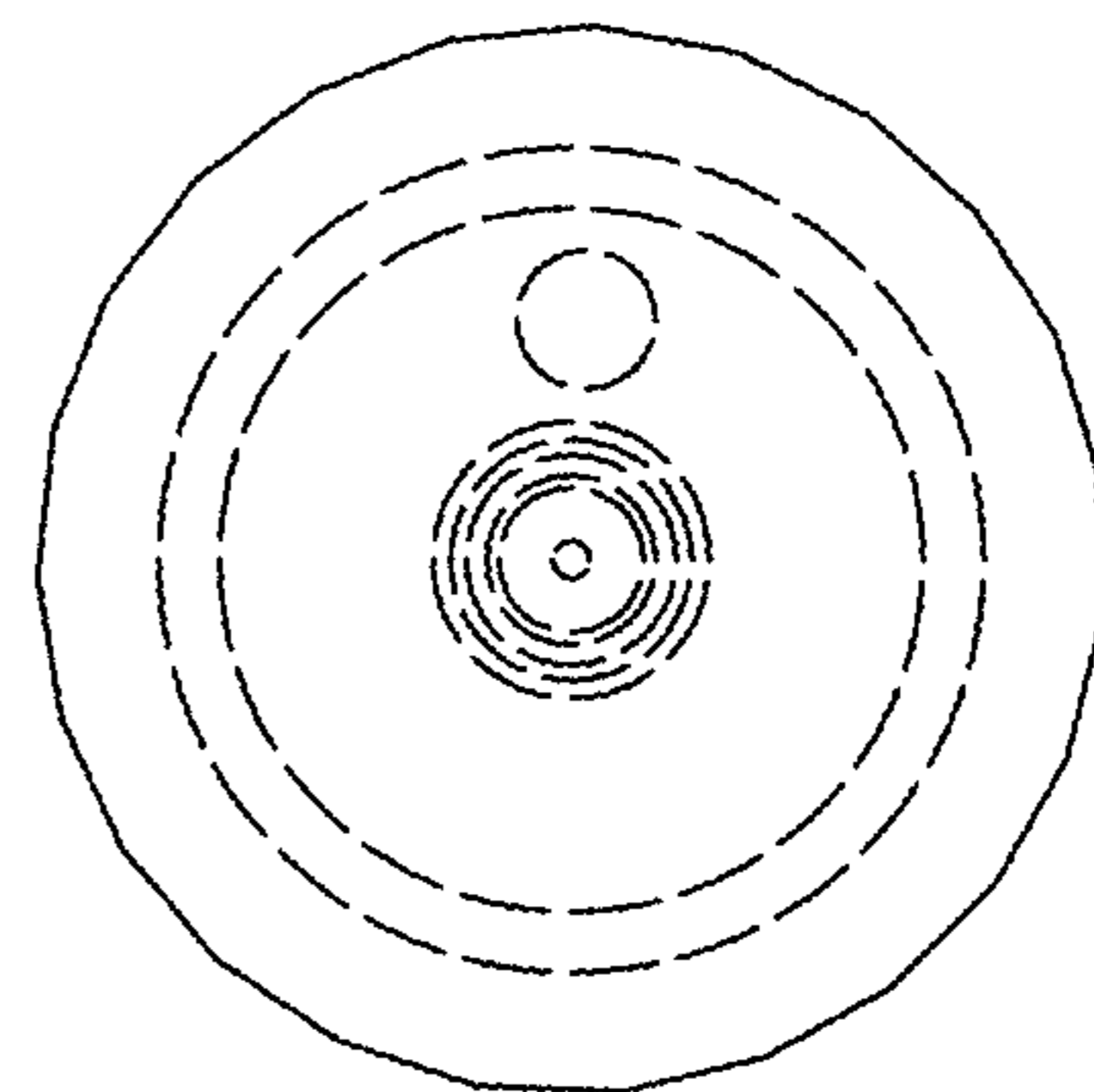


FIG. 6

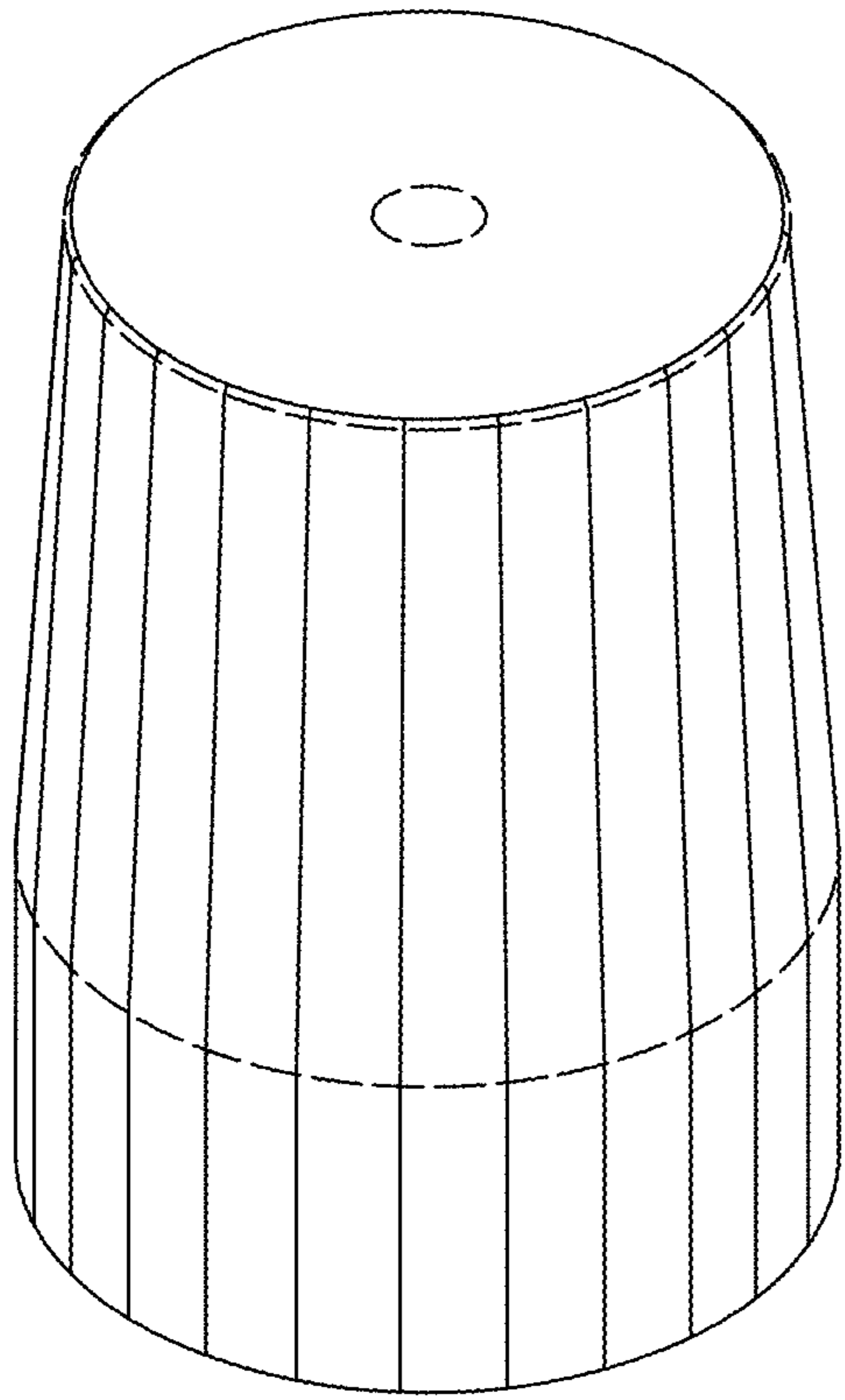


FIG. 7

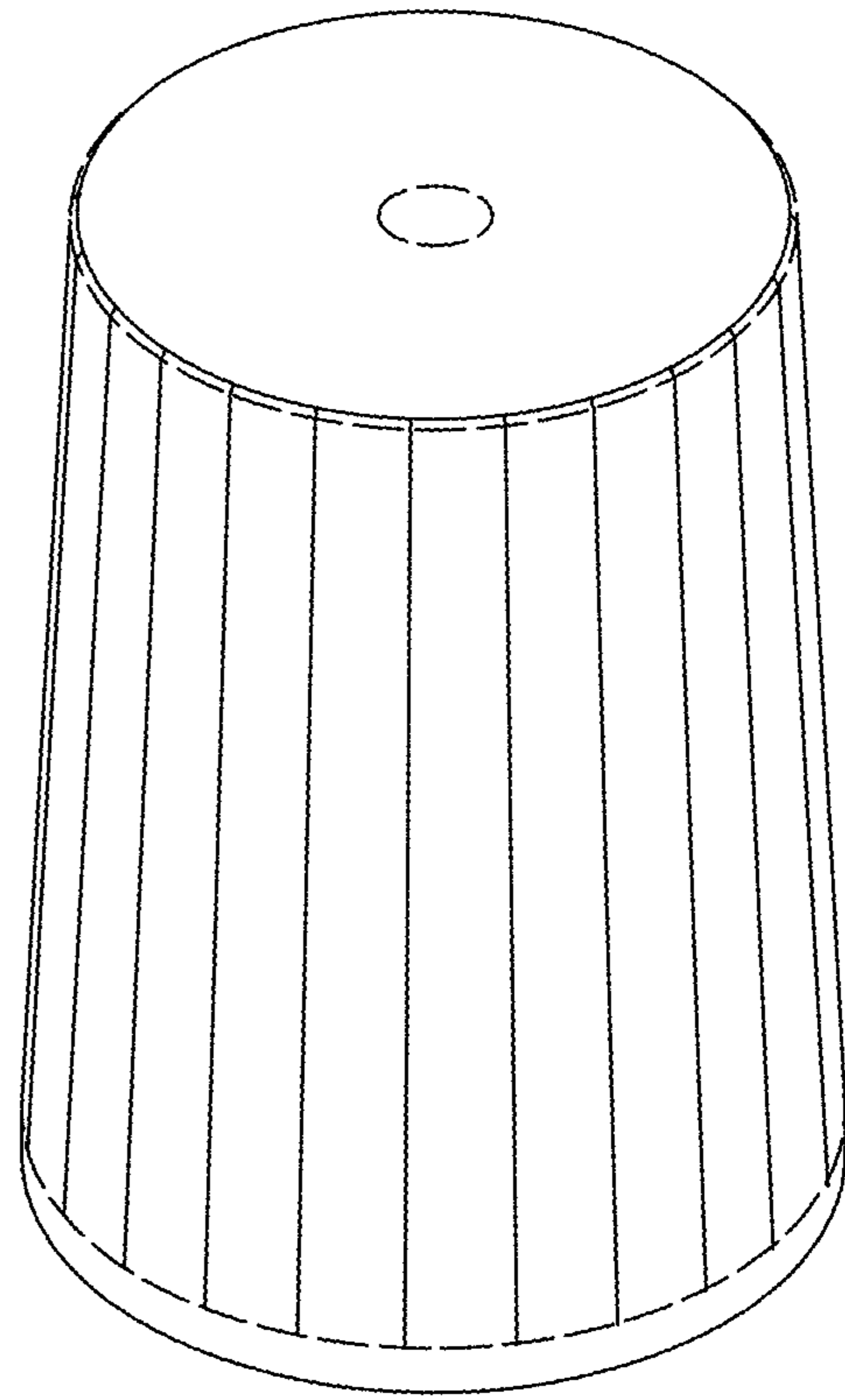


FIG. 8

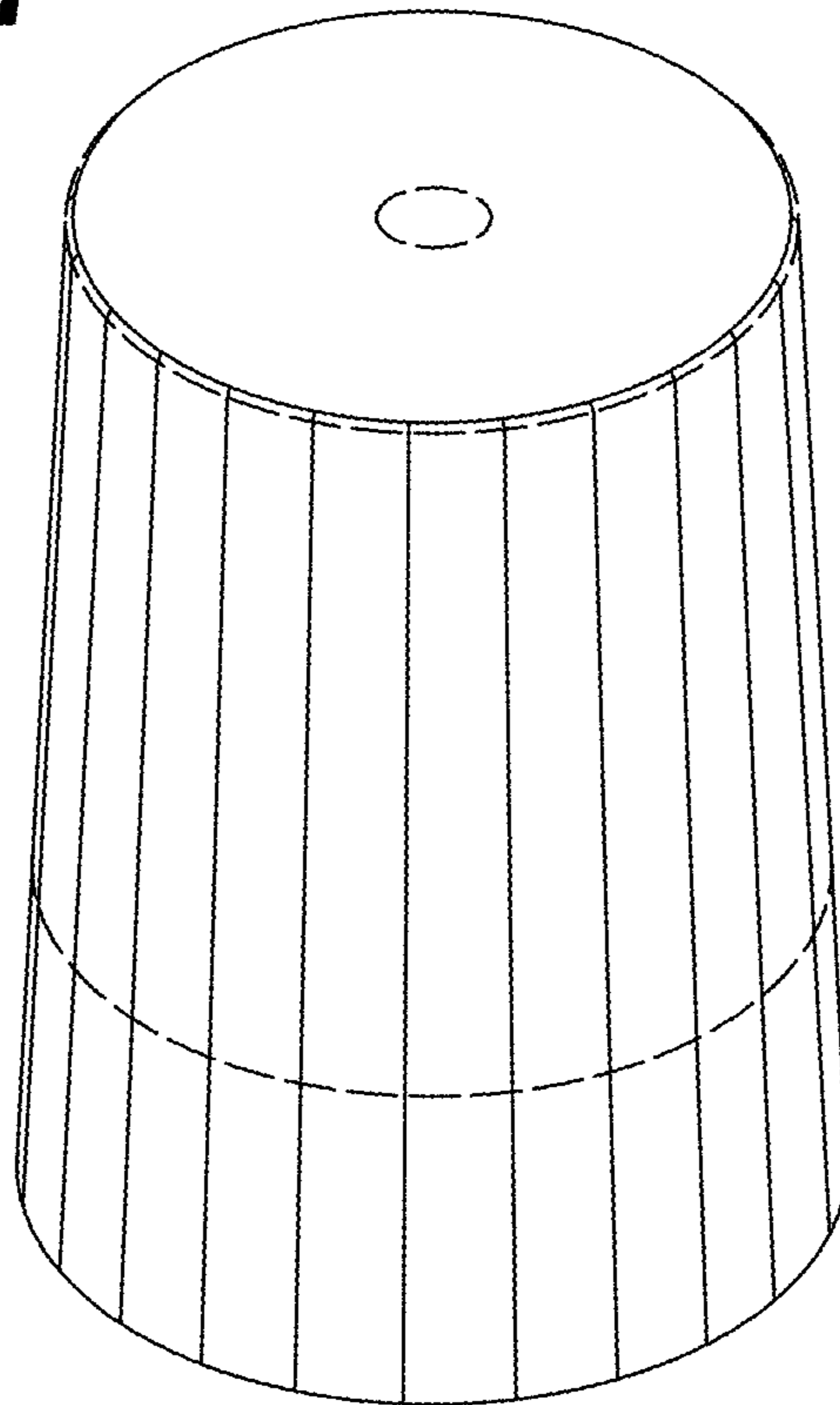


FIG. 9