



US00D954687S

(12) **United States Design Patent**
Mai

(10) **Patent No.:** **US D954,687 S**
(45) **Date of Patent:** **** Jun. 14, 2022**

- (54) **MICROPHONE**
- (71) Applicant: **SHENZHEN XUNWEIJIA TECHNOLOGY DEVELOPMENT CO., LTD.**, Shenzhen (CN)
- (72) Inventor: **Qibin Mai**, Shenzhen (CN)
- (73) Assignee: **SHENZHEN XUNWEIJIA TECHNOLOGY DEVELOPMENT CO., LTD.**, Shenzhen (CN)
- (**) Term: **15 Years**
- (21) Appl. No.: **29/786,362**
- (22) Filed: **May 31, 2021**
- (51) **LOC (13) Cl.** **14-01**
- (52) **U.S. Cl.**
USPC **D14/229**; D14/226
- (58) **Field of Classification Search**
USPC D14/229, 226, 225, 227, 228; 181/290, 181/293, 284; D8/398; 381/363, 188, 381/168; 248/638, 604
CPC H04R 25/00; H04R 9/08; H04R 11/04; H04R 17/02; H04R 19/04; H04R 1/02; H04R 9/04; F16M 11/10; F16M 11/041; E04B 1/82; H04M 1/04
See application file for complete search history.

- (56) **References Cited**
U.S. PATENT DOCUMENTS
- 1,805,362 A * 5/1931 Ellis H04R 1/08 381/368
- 1,915,466 A * 6/1933 Lilly G01C 17/18 33/355 R
- 2,299,468 A * 10/1942 Dafforn D06F 75/28 439/12
- 2,920,140 A * 1/1960 Morgan H04R 19/04 381/113

- 3,153,123 A * 10/1964 Harman H04R 1/08 381/354
- 3,469,417 A * 9/1969 Wakelin F16D 3/50 464/83
- 3,592,422 A * 7/1971 Paine F16F 15/067 248/589
- 4,396,807 A * 8/1983 Brewer H04R 1/08 381/361
- D276,043 S * 10/1984 Fitzner D14/229
- 4,628,525 A * 12/1986 Iwahara H04R 1/086 381/26
- 5,529,277 A * 6/1996 Ostaszewski F16M 11/2021 248/629

(Continued)

FOREIGN PATENT DOCUMENTS

- CN 305260458 * 7/2021
- CN 306907283 * 10/2021

(Continued)

Primary Examiner — Paula Allen Greene
(74) *Attorney, Agent, or Firm* — Law Offices of Steven W. Weinrieb

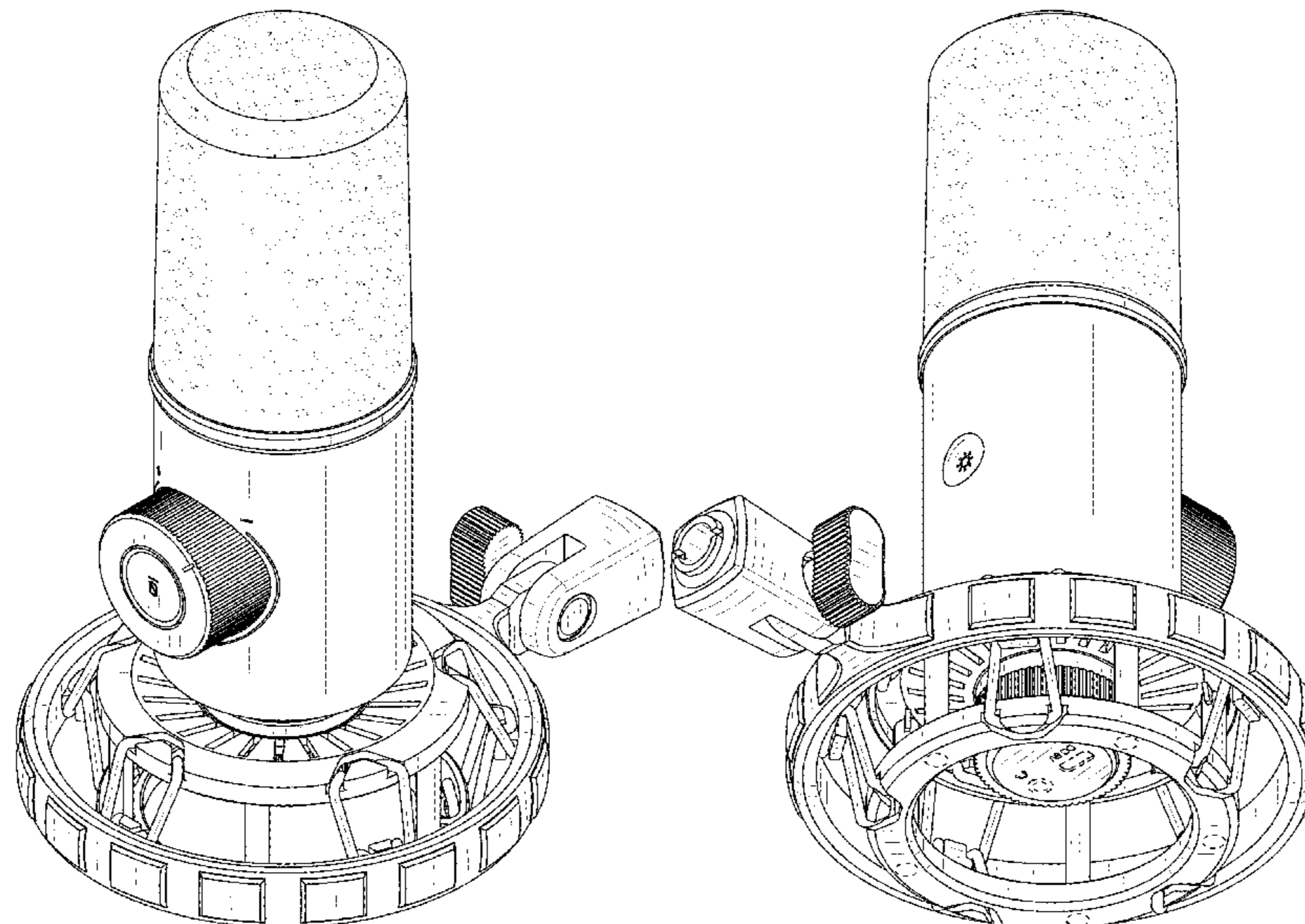
(57) **CLAIM**

The ornamental design for a microphone, as shown and described.

DESCRIPTION

FIG. 1 is a front, right side, top perspective view of a microphone showing my new design; FIG. 2 is a rear, left side, bottom perspective view thereof; FIG. 3 is a front elevational view thereof; FIG. 4 is a rear elevational view thereof; FIG. 5 is a left side elevational view thereof; FIG. 6 is a right side elevational view thereof; FIG. 7 is a top plan view thereof; and, FIG. 8 is a bottom plan view thereof. The broken lines depict portions of the microphone that form no part of the claimed design.

1 Claim, 8 Drawing Sheets



(56)

References Cited

U.S. PATENT DOCUMENTS

- D374,195 S * 10/1996 Wright D11/130.1
5,942,735 A * 8/1999 Liang H04R 1/026
181/207
6,459,802 B1 * 10/2002 Young H04R 1/083
381/361
6,590,989 B2 * 7/2003 Chen H04R 1/08
248/188.9
6,682,043 B1 * 1/2004 Hsieh H04R 1/083
248/618
D540,786 S * 4/2007 Hensen D14/228
D548,729 S * 8/2007 Miller D14/229
D549,209 S * 8/2007 Bauman D14/155
D576,157 S 9/2008 Nishizawa
D579,928 S * 11/2008 Murata D14/229
D585,434 S 1/2009 Ganley et al.
D618,222 S * 6/2010 Kallas D14/229
D632,679 S 2/2011 Emge et al.
7,889,882 B2 * 2/2011 Marshall H04R 19/04
381/174
D705,761 S * 5/2014 McGovern, Jr. D14/229
D706,245 S * 6/2014 McGovern, Jr. D14/229
D707,662 S * 6/2014 Okita D14/229
D708,170 S 7/2014 Duek
D713,391 S 9/2014 Ibuki et al.
D736,189 S * 8/2015 Cooper D14/229
D737,253 S * 8/2015 Henricksen D14/228
D758,997 S 6/2016 Miller et al.
D772,205 S * 11/2016 Sunwoo D14/229
- D791,742 S * 7/2017 Lai D14/225
9,877,113 B2 * 1/2018 Akino H04R 19/04
D823,283 S * 7/2018 Sunwoo D14/229
D834,568 S * 11/2018 Pooley D14/229
D842,846 S * 3/2019 Mai D14/225
D859,370 S 9/2019 Slaton
D868,754 S * 12/2019 Chou D14/225
D883,961 S 5/2020 Dai
D889,443 S * 7/2020 Renwick D14/229
D901,459 S * 11/2020 Zhao D14/225
D917,429 S * 4/2021 Xiang D14/228
D917,430 S * 4/2021 Mai D14/228
D918,186 S * 5/2021 Mai D14/227
D933,640 S * 10/2021 Zhou D14/225
D941,810 S * 1/2022 Chen D14/225
2006/0227991 A1 * 10/2006 Klemme H04R 1/08
381/363
2007/0195983 A1 * 8/2007 Klemme H04R 21/02
381/361
2010/0239113 A1 * 9/2010 Browne H04R 1/08
381/361
2013/0062479 A1 * 3/2013 Okita F16M 11/041
248/176.1

FOREIGN PATENT DOCUMENTS

- CN 307035190 * 12/2021
CN 307041664 * 12/2021
GB 6155636 * 8/2021
JP D1696081 * 9/2021

* cited by examiner

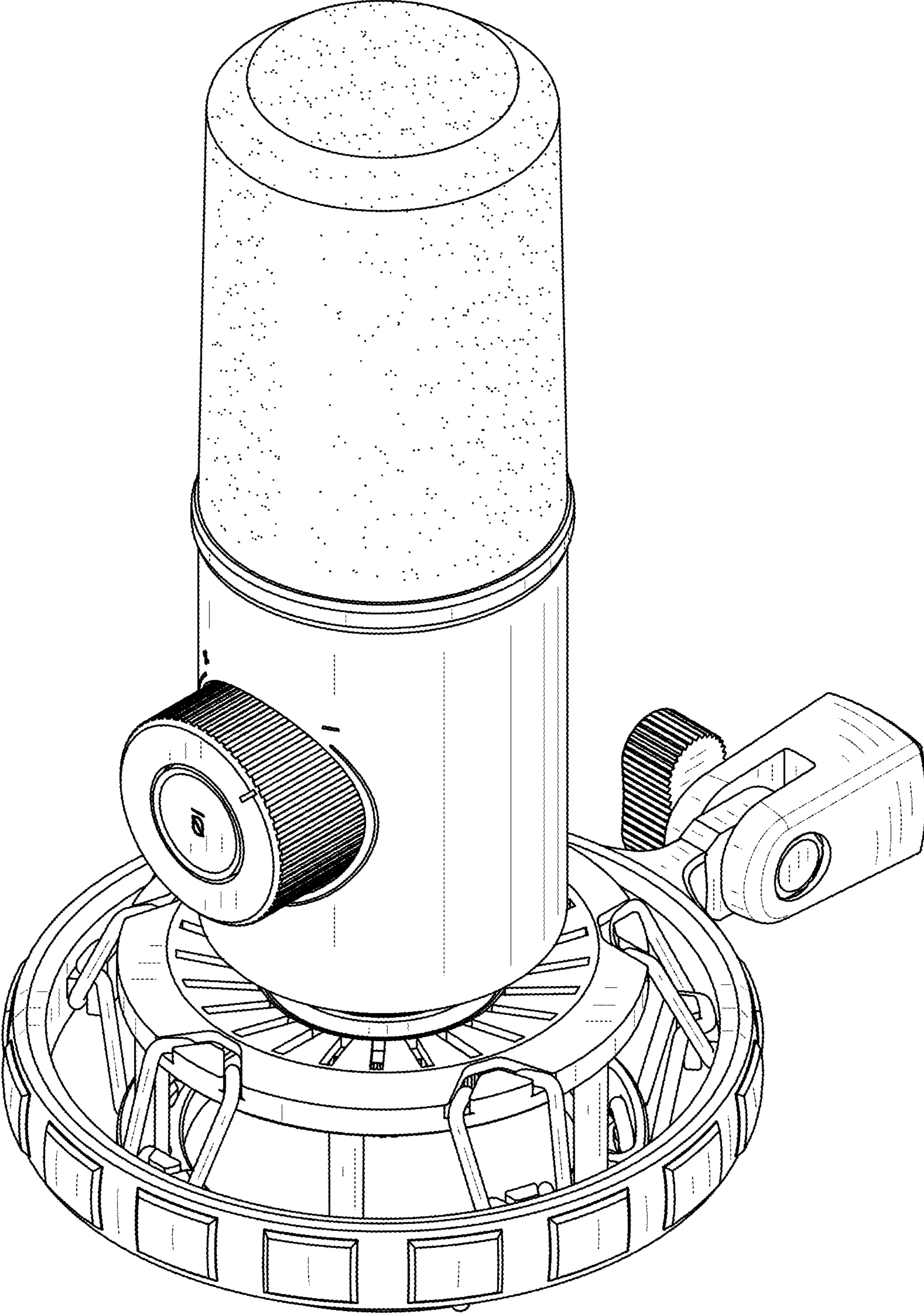


FIG. 1

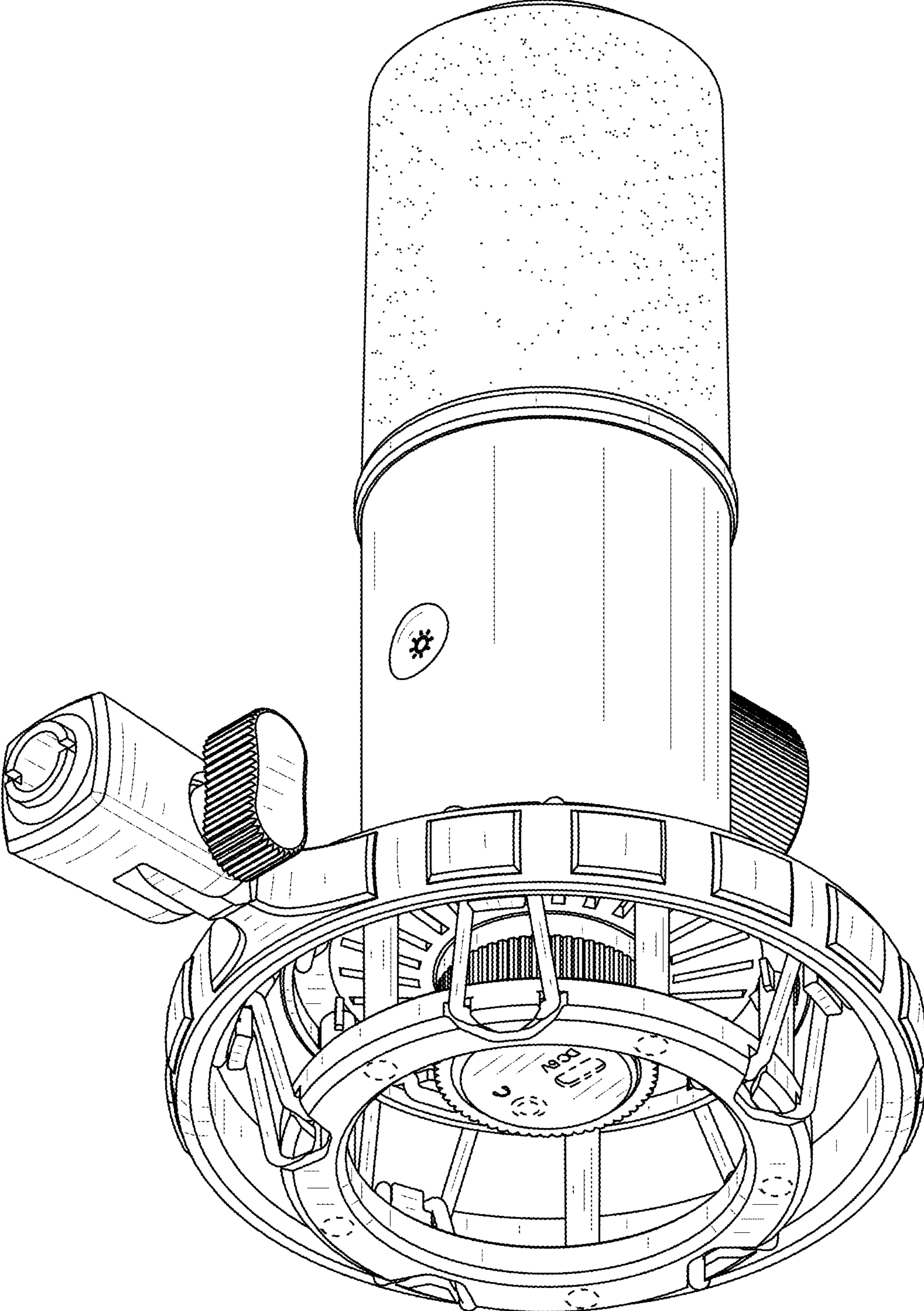


FIG. 2

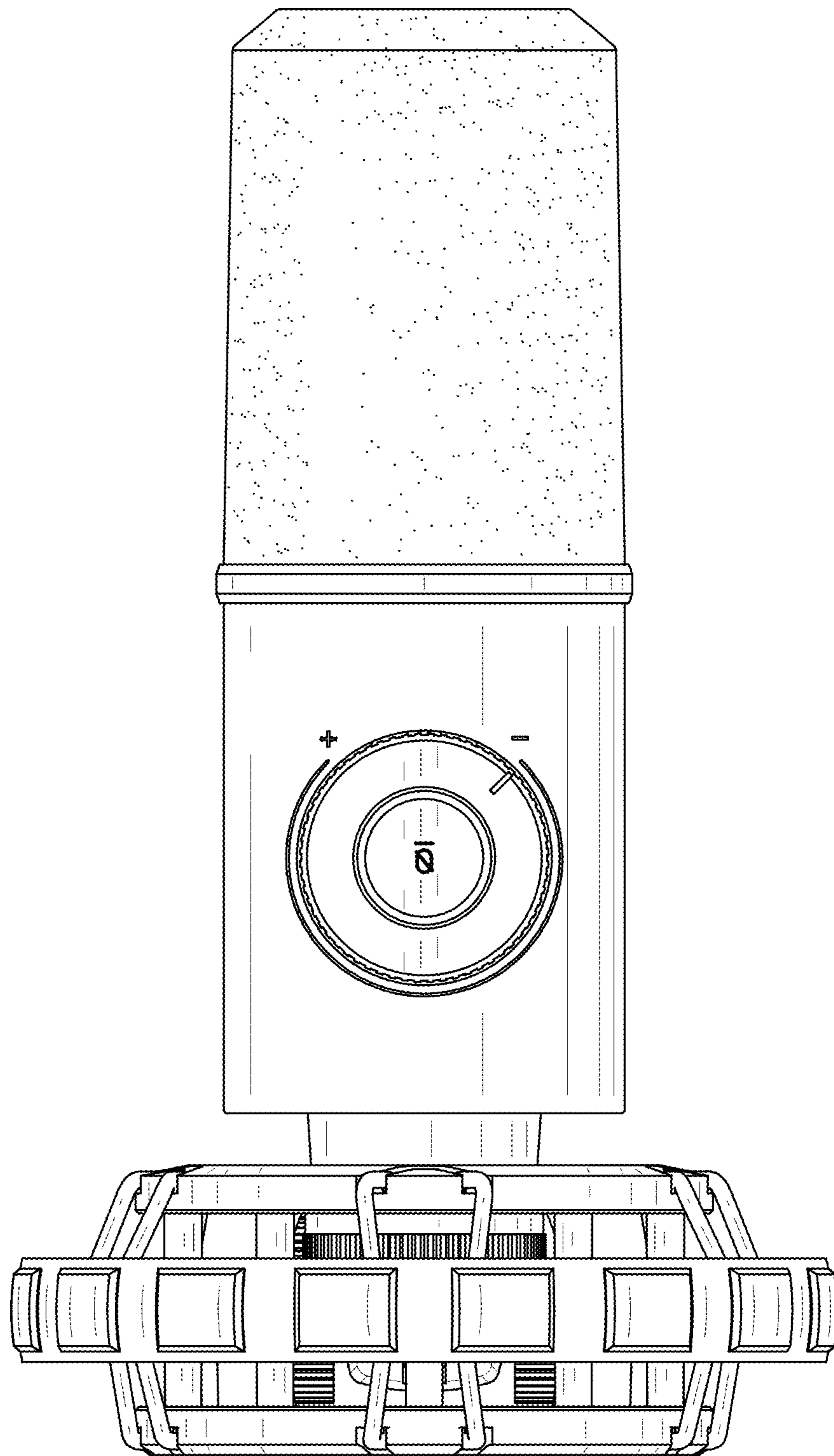


FIG. 3

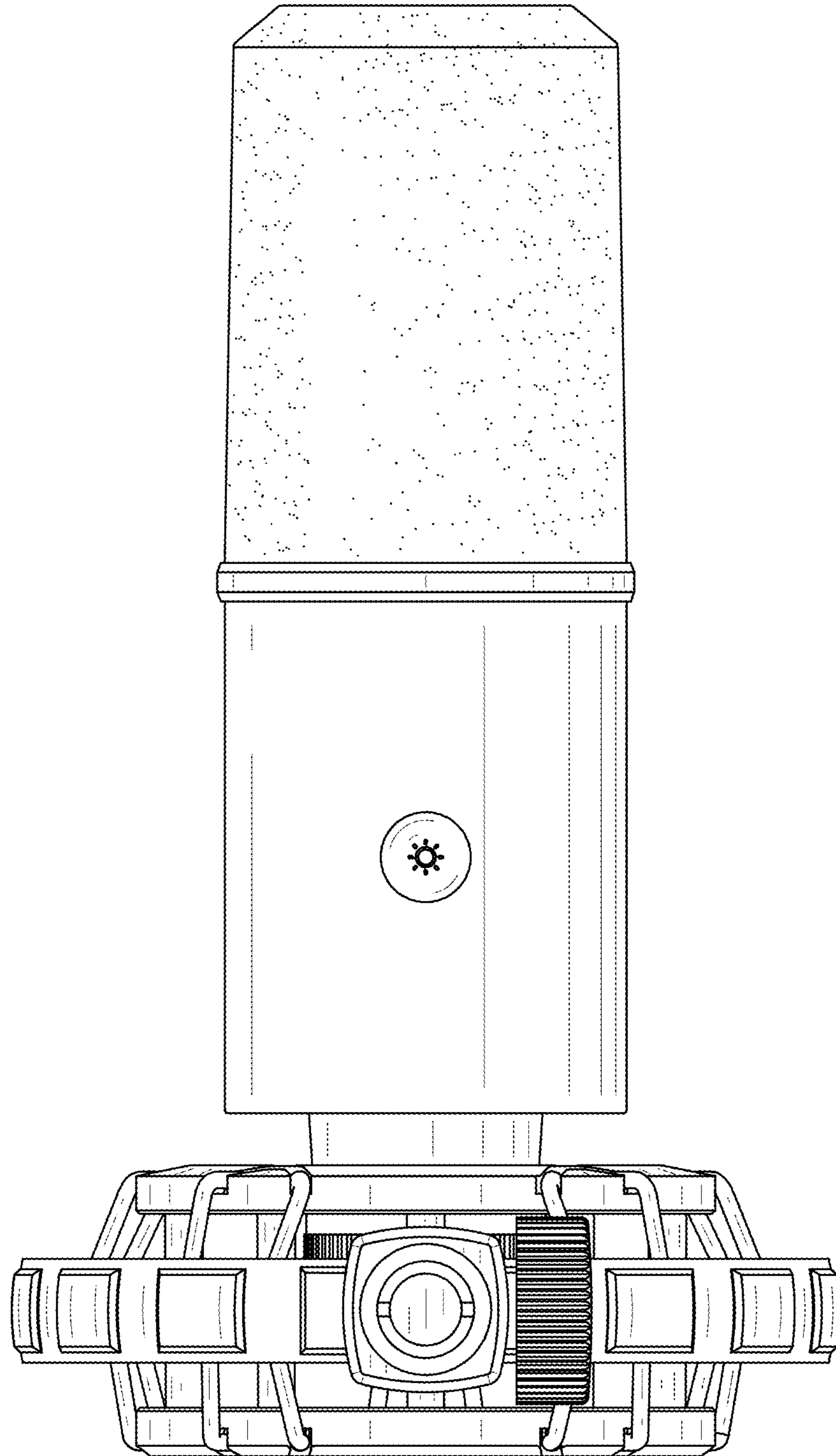


FIG. 4

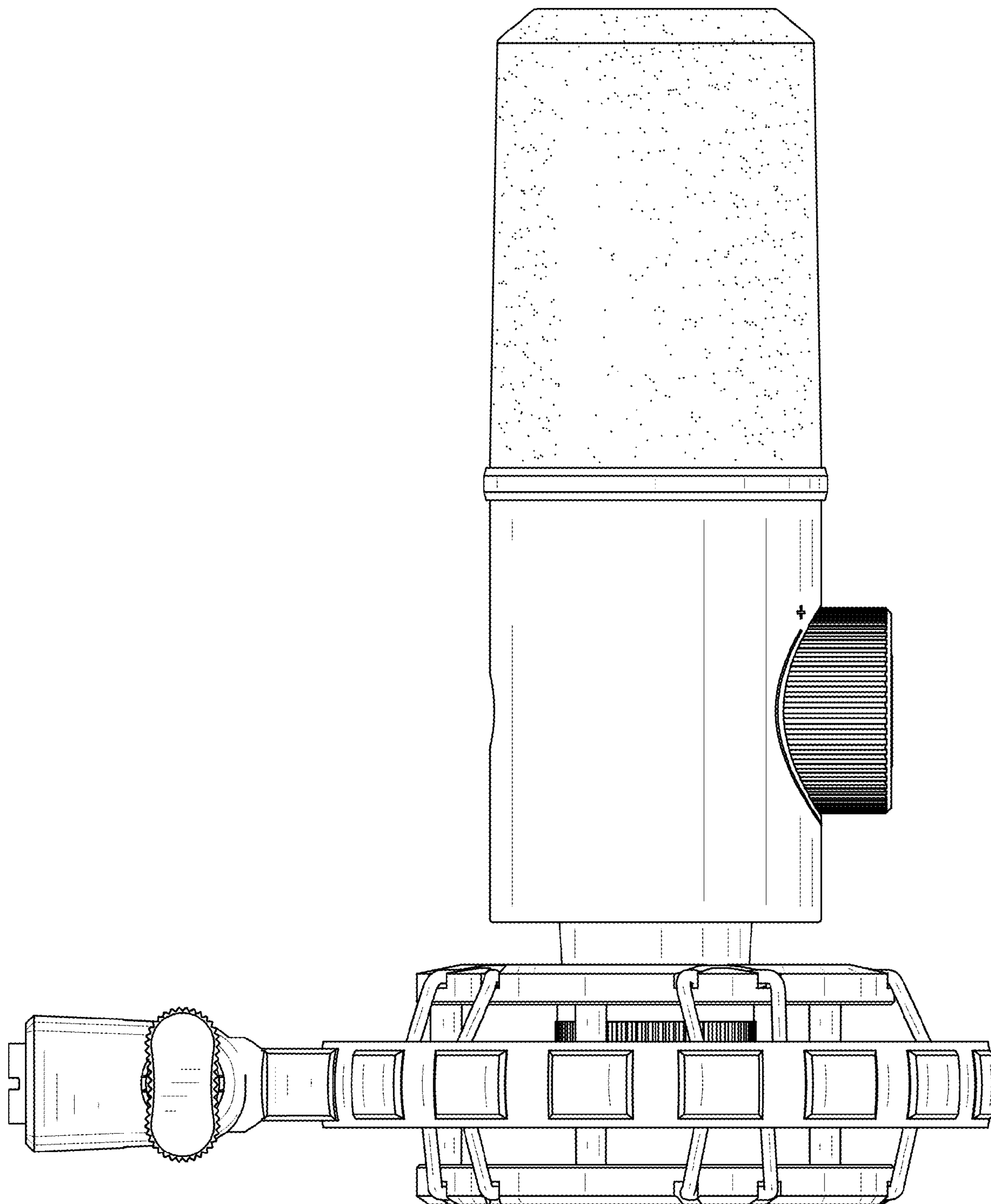


FIG. 5

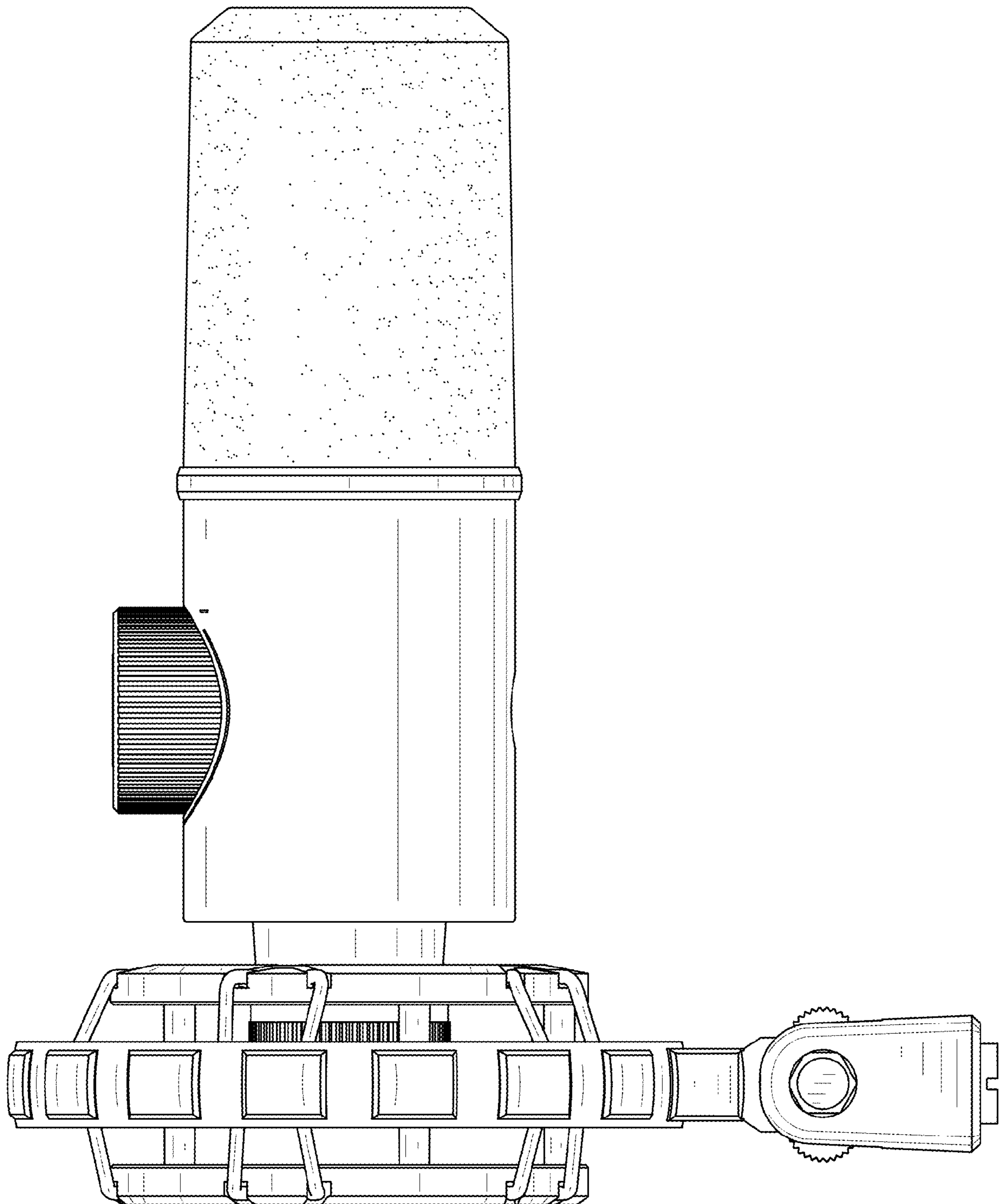


FIG. 6

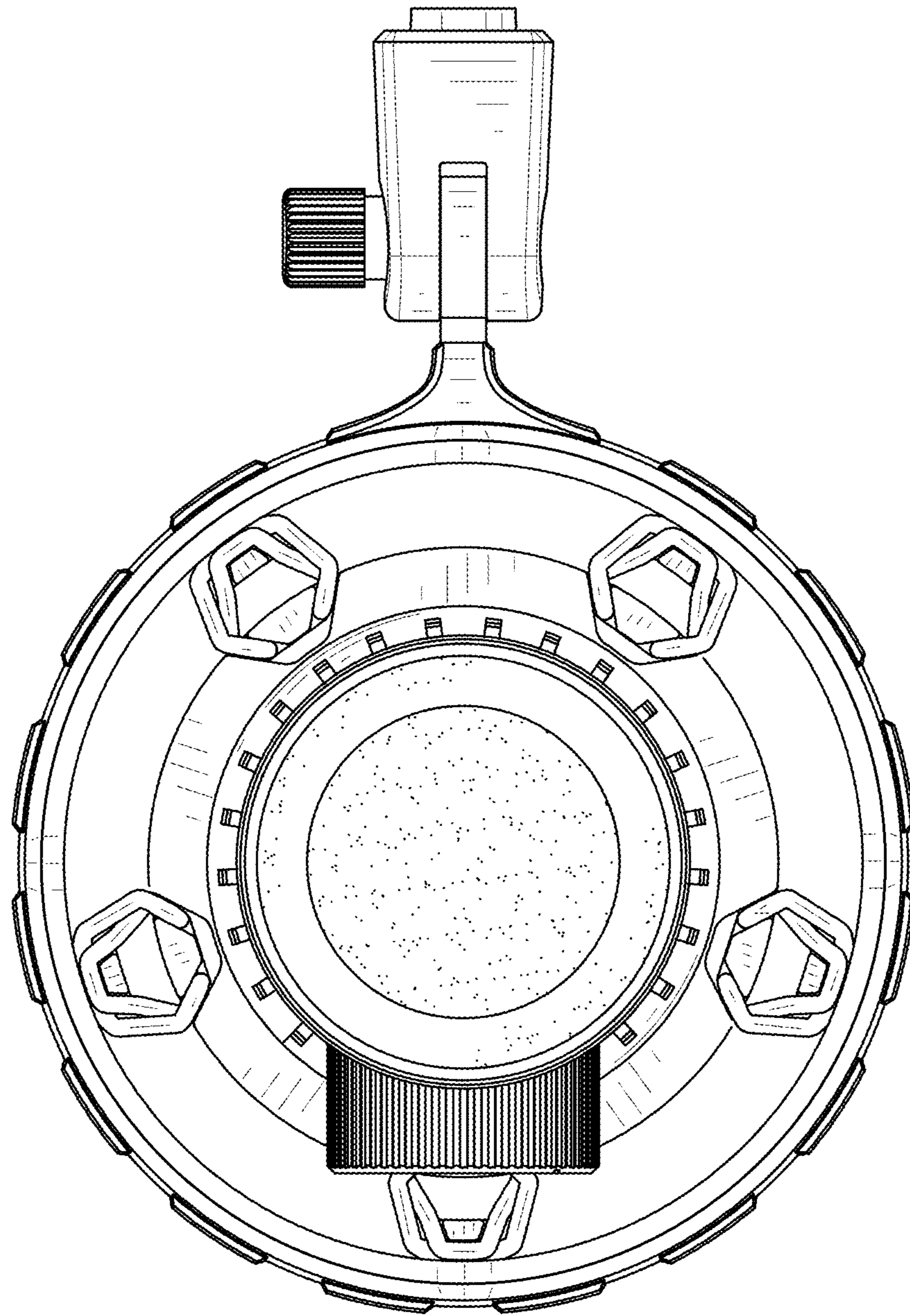


FIG. 7

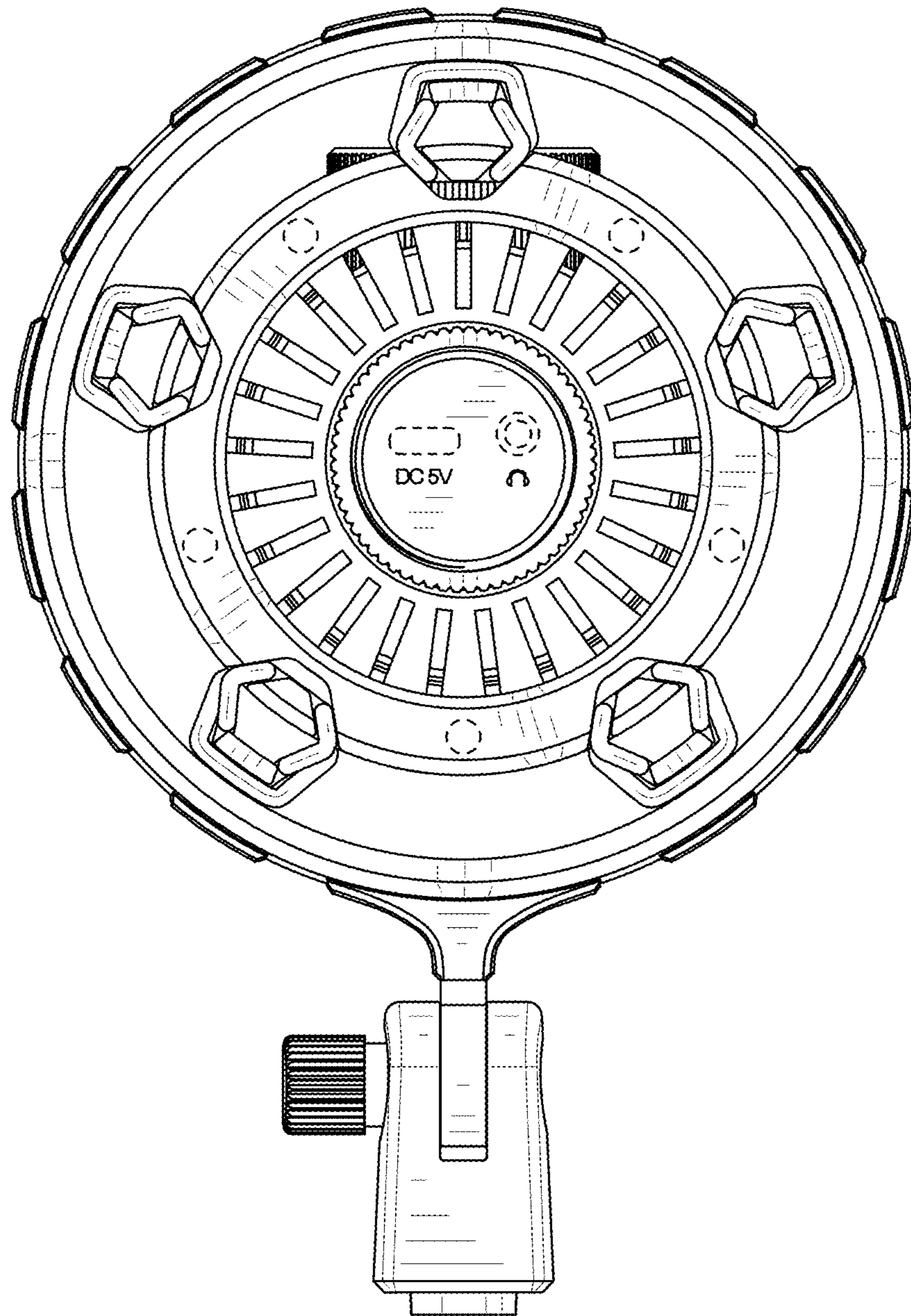


FIG. 8